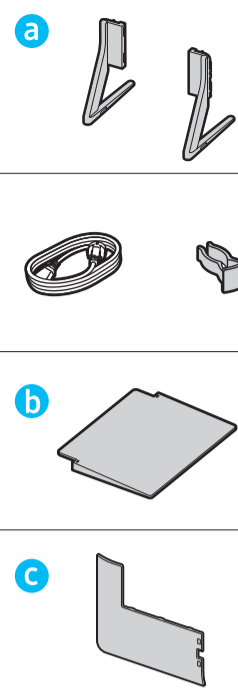
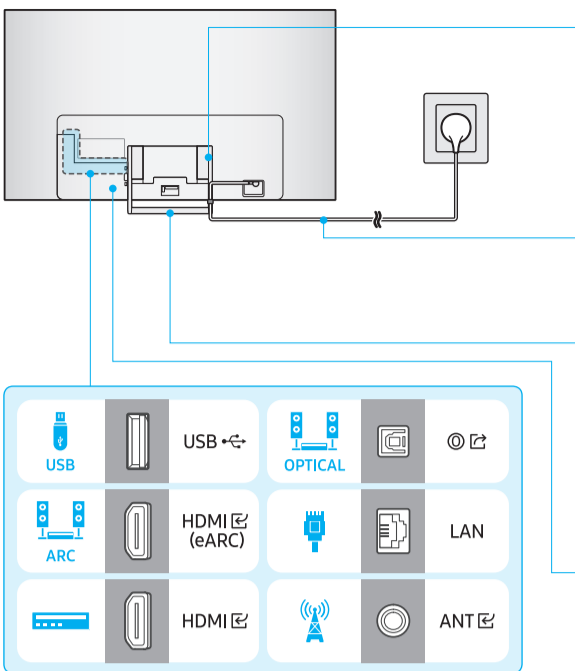


SAMSUNG

Unpacking and Installation Guide
 Guide de déballage et d'installation
 Guía de desembalaje e instalación
 Manual de desempacotamento e instalação
 Auspacken und Installationsanleitung
 Guida al disimballaggio e all'installazione



1

2

3

4

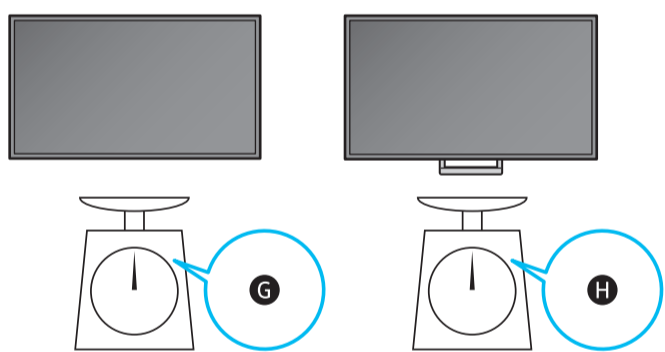
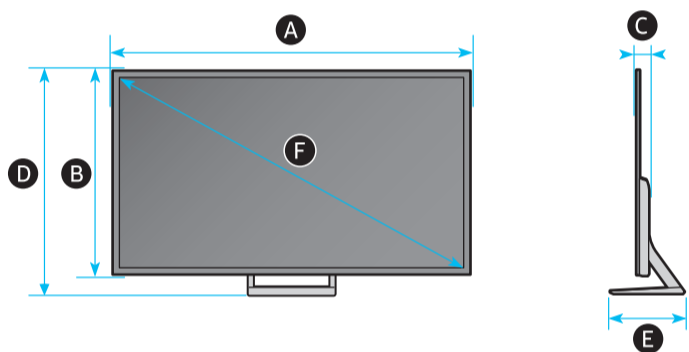
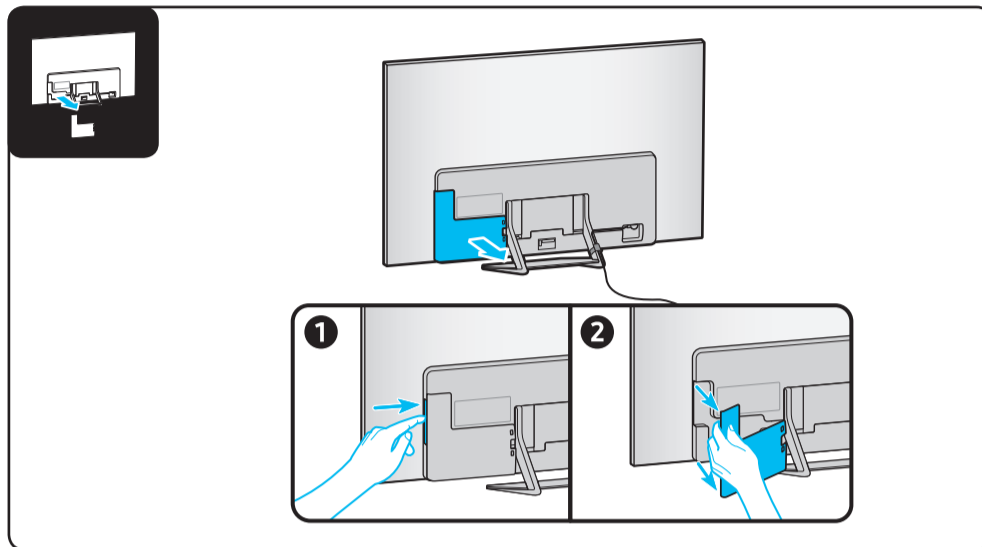
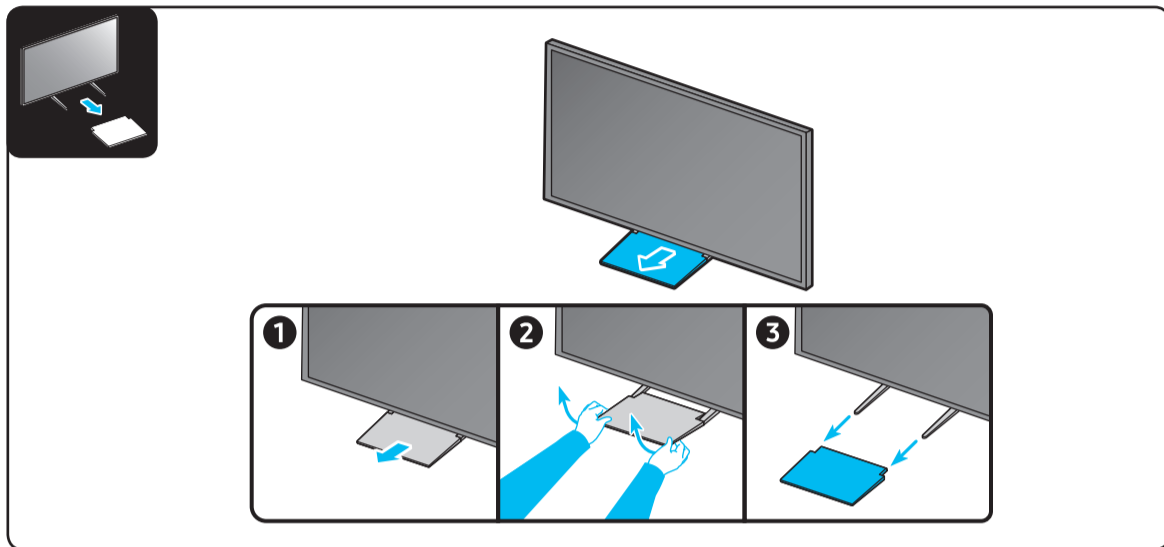
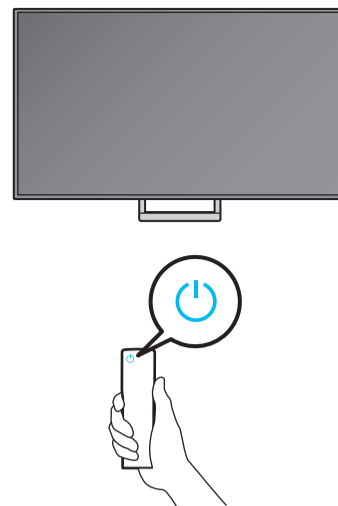
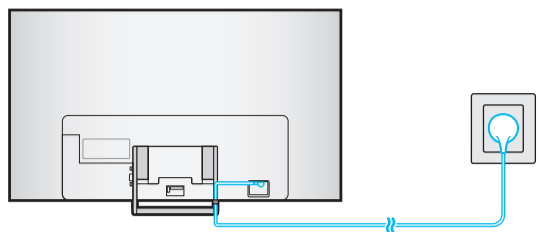
5

6

7

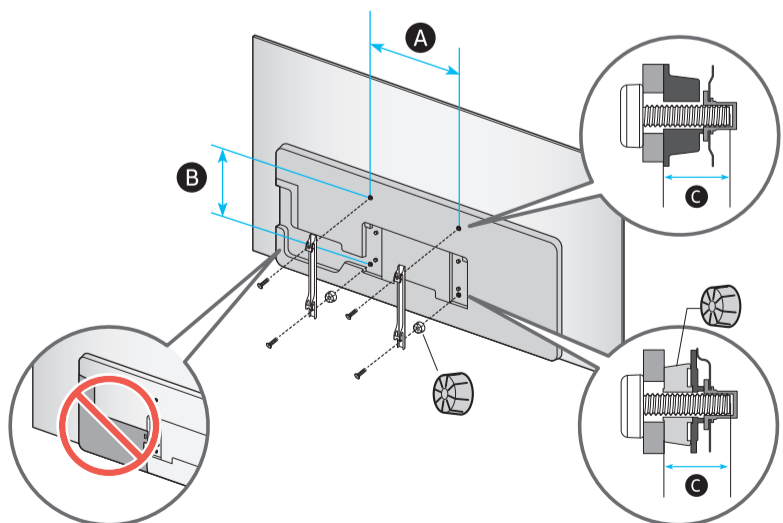
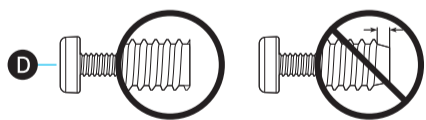
8





	A	B	C	D	E	F	G	H
55S9*C 55SC9*	48.2 inches (1225.4 mm)	27.9 inches (708.6 mm)	1.6 inches (39.9 mm)	30.5 inches (773.5 mm)	10.5 inches (265.9 mm)	54.6 inches (138 cm)	35.7 lbs (16.2 kg)	40.1 lbs (18.2 kg)
65S9*C 65SC9*	56.9 inches (1444.3 mm)	32.7 inches (831.7 mm)	1.6 inches (39.9 mm)	35.3 inches (896.6 mm)	10.5 inches (265.9 mm)	64.5 inches (163 cm)	46.5 lbs (21.1 kg)	50.9 lbs (23.1 kg)

*: 0-9, A-Z



	VESA A x B (mm)	C (mm)	D x 4
55S9*C 55SC9*	300 x 200	28-30	M8
65S9*C 65SC9*			

*: 0-9, A-Z