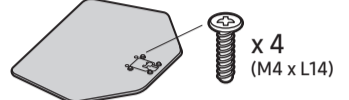
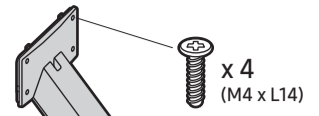
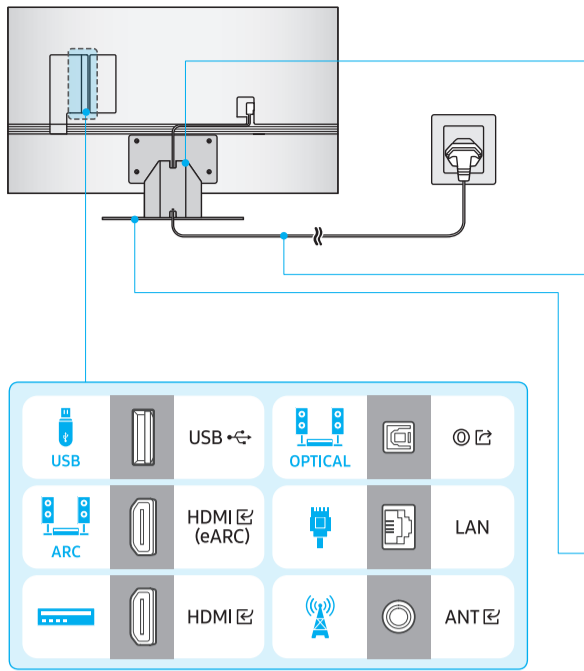


SAMSUNG

Unpacking and Installation Guide
 Guide de déballage et d'installation
 Guía de desembalaje e instalación
 Manual de desempacotamento e instalação
 Auspacken und Installationsanleitung
 Guida al disimballaggio e all'installazione



1

55"

65"

75"

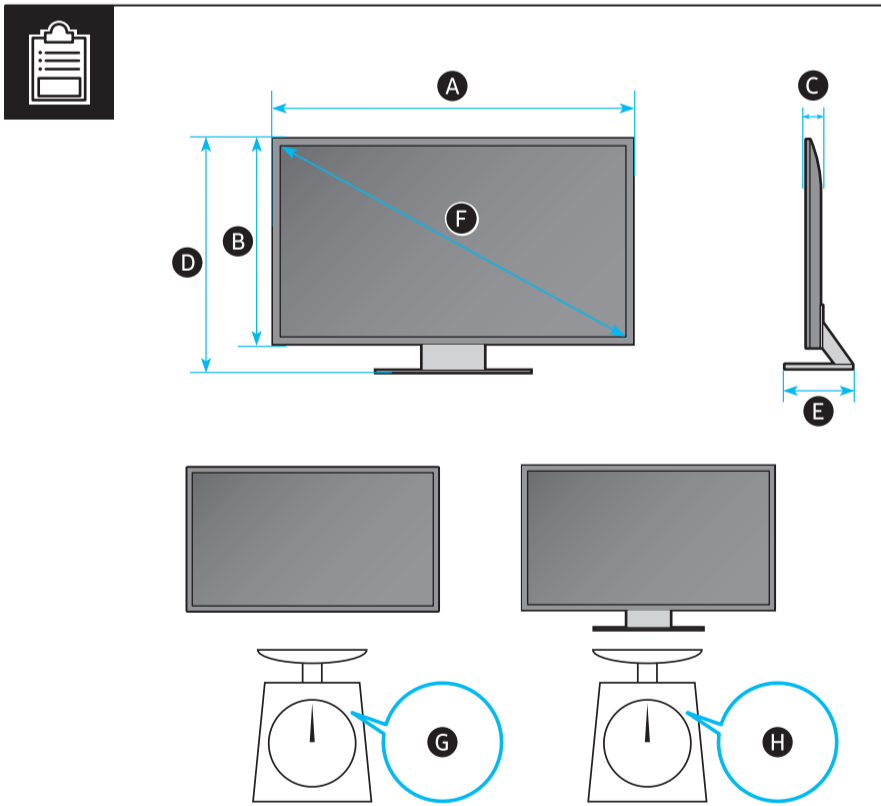
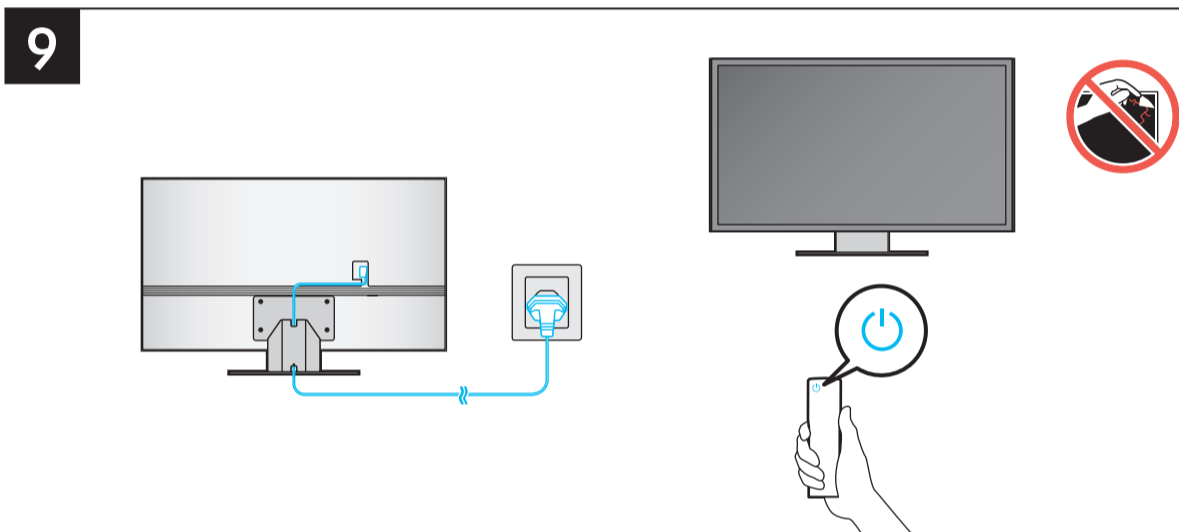
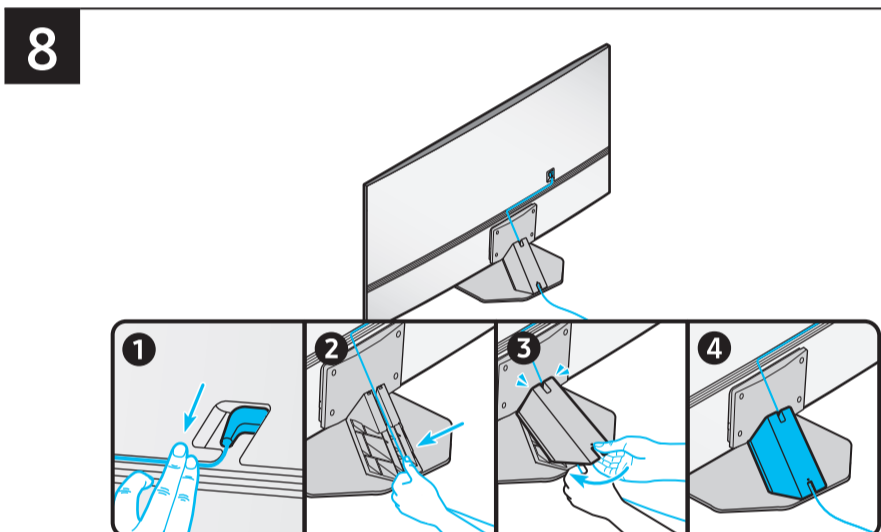
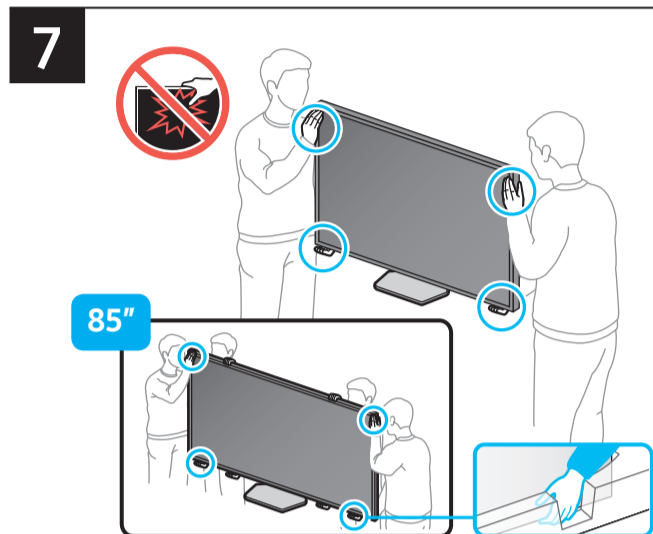
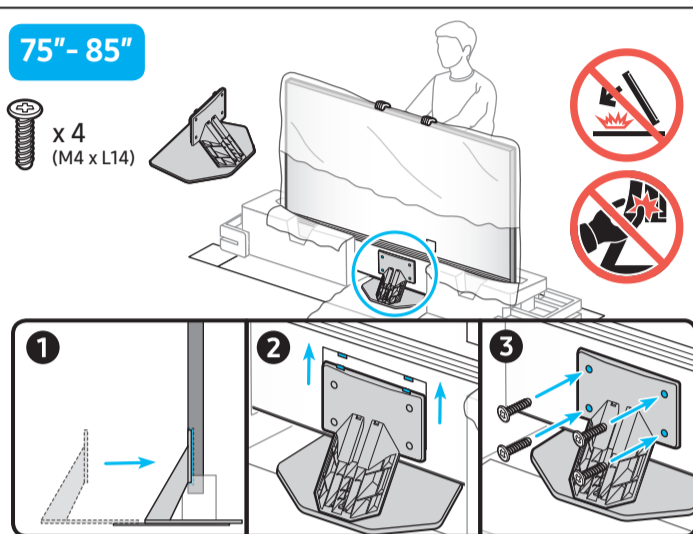
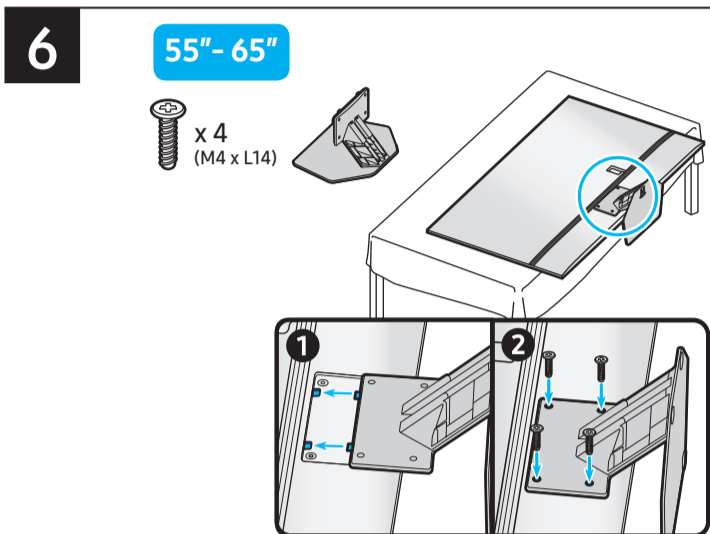
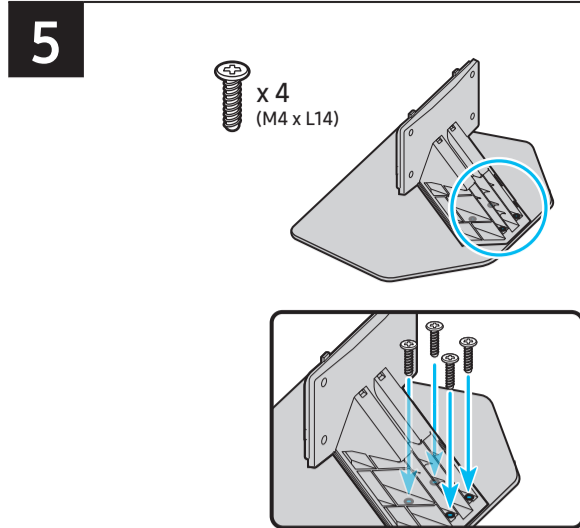
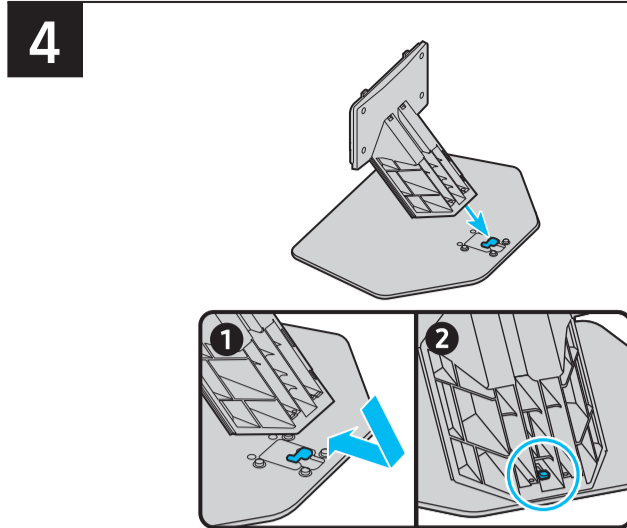
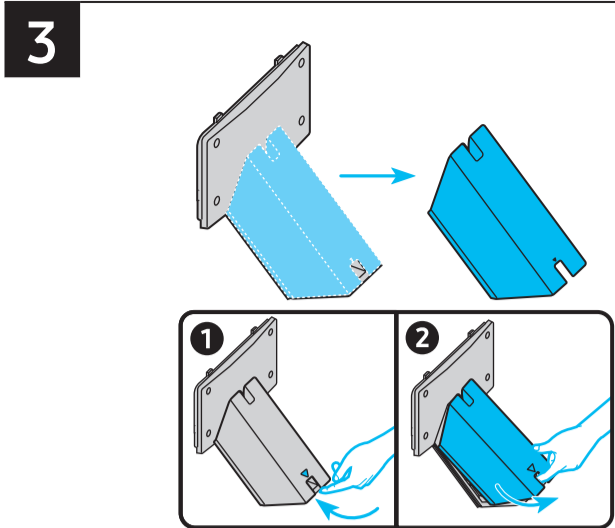
85"

2

55" - 65"

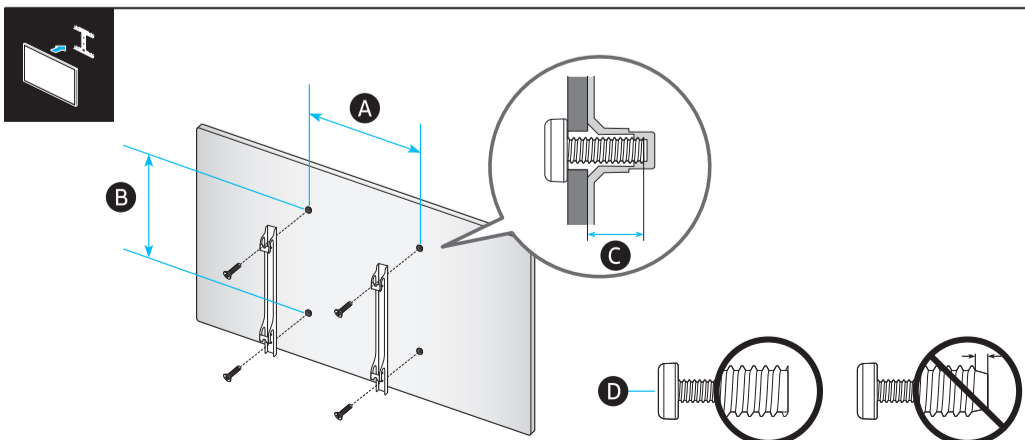
75" - 85"

75" - 85"



	A	B	C	D	E	F	G	H
GQ55QN8*C	48.3 inches	27.8 inches	1.0 inches	30.2 inches	10.0 inches	54.6 inches	379 lbs	44.5 lbs
TQ55QN8*C	(1227.4 mm)	(705.6 mm)	(25.9 mm)	(767.9 mm)	(253.0 mm)	(138 cm)	(17.2 kg)	(20.2 kg)
QE55QN8*C	(122.74 cm)	(70.56 cm)	(2.59 cm)	(76.79 cm)	(25.30 cm)			
GQ65QN8*C	56.9 inches	32.6 inches	1.0 inches	35.1 inches	11.2 inches	64.5 inches	52.2 lbs	60.2 lbs
TQ65QN8*C	(1446.3 mm)	(828.7 mm)	(25.9 mm)	(891.1 mm)	(285.7 mm)	(163 cm)	(23.7 kg)	(27.3 kg)
QE65QN8*C	(144.63 cm)	(82.87 cm)	(2.59 cm)	(89.11 cm)	(28.57 cm)			
QA65QN8*C								
GQ75QN8*C	65.7 inches	37.7 inches	1.1 inches	40.1 inches	12.3 inches	74.5 inches	75.0 lbs	88.0 lbs
TQ75QN8*C	(1670.0 mm)	(957.4 mm)	(26.7 mm)	(1019.8 mm)	(313.5 mm)	(189 cm)	(34.0 kg)	(39.9 kg)
QE75QN8*C	(167.00 cm)	(95.74 cm)	(2.67 cm)	(101.98 cm)	(31.35 cm)			
QA75QN8*C								
GQ85QN8*C	74.5 inches	42.6 inches	1.1 inches	45.1 inches	12.9 inches	84.5 inches	94.1 lbs	108.7 lbs
TQ85QN8*C	(1892.2 mm)	(1081.9 mm)	(27.2 mm)	(1144.8 mm)	(326.6 mm)	(214 cm)	(42.7 kg)	(49.3 kg)
QE85QN8*C	(189.22 cm)	(108.19 cm)	(2.72 cm)	(114.48 cm)	(32.66 cm)			
QA85QN8*C								
QN85QN8*C								
QN55QN8*C	48.3 inches	27.8 inches	1.1 inches	30.2 inches	10.0 inches	54.6 inches	379 lbs	44.5 lbs
	(1227.4 mm)	(705.6 mm)	(26.9 mm)	(767.9 mm)	(253.0 mm)	(138 cm)	(17.2 kg)	(20.2 kg)
	(122.74 cm)	(70.56 cm)	(2.69 cm)	(76.79 cm)	(25.30 cm)			
QN65QN8*C	56.9 inches	32.6 inches	1.1 inches	35.1 inches	11.2 inches	64.5 inches	52.2 lbs	60.2 lbs
	(1446.3 mm)	(828.7 mm)	(26.9 mm)	(891.1 mm)	(285.7 mm)	(163 cm)	(23.7 kg)	(27.3 kg)
	(144.63 cm)	(82.87 cm)	(2.69 cm)	(89.11 cm)	(28.57 cm)			
QN75QN8*C	65.7 inches	37.7 inches	1.1 inches	40.1 inches	12.3 inches	74.5 inches	75.0 lbs	88.0 lbs
	(1670.0 mm)	(957.4 mm)	(27.7 mm)	(1019.8 mm)	(313.5 mm)	(189 cm)	(34.0 kg)	(39.9 kg)
	(167.00 cm)	(95.74 cm)	(2.77 cm)	(101.98 cm)	(31.35 cm)			

*: 0-9, A-Z



	VESA A x B (mm)	C (mm)	D x 4
55QN8*C	200 x 200	11-13	M8
65QN8*C	400 x 300		
75QN8*C	400 x 400		
85QN8*C	600 x 400		

*: 0-9, A-Z