

SAMSUNG

USER MANUAL

Thank you for purchasing this Samsung product.

To receive more complete service, please register your product at www.samsung.com

Model _____ Serial No. _____

If you have any questions, please call us at 1-800-SAMSUNG (1-800-726-7864) for assistance.

Figures and illustrations are provided for reference only and may differ from the actual product appearance. Product design and specifications may change without notice.

Contact SAMSUNG WORLD WIDE

If you have any questions or comments relating to Samsung products, please contact the Samsung service center.

Country	Samsung Service Center ☎	Website	Address
CANADA	1-800-SAMSUNG (726-7864)	www.samsung.com/ca/support (English) www.samsung.com/ca_fr/support (French)	Samsung Electronics Canada Inc. 2050 Derry Road West Mississauga, Ontario L5N 0B9 Canada



BN68-15760A-00

© 2023 Samsung Electronics Co., Ltd. All rights reserved.

Internet security

Samsung takes a number of steps to protect its Internet-compatible Smart TVs against unauthorized incursions and hacking. For example, certain sensitive communications between the TV and the Internet servers are encrypted. In addition, the TV's operating system has adopted controls to prevent the installation of unauthorized applications. Although we take steps to protect your Smart TV and personal information, no Internet-connected device or transmission is completely secure. We therefore encourage you to take additional steps to safeguard your TV, secure your Internet connection, and minimize the risk of unauthorized access. These steps are listed below:

- When Samsung releases software updates to improve the security of your TV, you should promptly install these updates. To automatically receive these updates, turn on **Auto Update** in the TV's menu (⊞) > ≡ (left directional button) > ⚙️ Settings > Support > Software Update > Auto Update). When an update is available, a popup message appears on the TV screen. Accept the software download and update by selecting **Yes** when prompted. Take steps to secure your wireless access point and network. Your access point's manual should provide additional details about how to implement the following measures:
 - Secure your wireless access point's management settings with a unique password to prevent unauthorized changes to security related settings.
 - Implement standard encryption (e.g., WPA2 encryption) on your wireless access point to secure your wireless network signal.
 - Secure access to your wireless network with a hard-to-guess password.
 - Confirm your access point's firewall setting is enabled (if applicable).
 - Make sure that all your Internet-connected devices are behind your network's firewall.
 - If your access point or modem has a standby mode button, use it to disconnect your home network from the Internet when it is not in use.
- Use strong passwords for all your Internet accounts (Netflix, Facebook, etc.).
- If any unexpected messages appear on your TV screen requesting permission to link a device or enable a remote session, do NOT accept.
- Do not visit suspicious websites and do not install any suspicious programs. We recommend that users install only those authorized apps provided by Samsung through Samsung Smart Hub.

01 Package Content

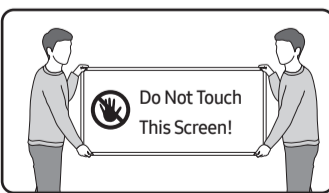
Make sure the following items are included with your TV. If any items are missing, contact your dealer.

- User Manual
- Warranty Card / Regulatory Guide (Not available in some locations)
- *Samsung Smart Remote
- *Remote Control
- *Batteries
- *TV Power Cord
- *Audio Adapter
- *Wall Mount Adapter x 2
- **One Connect Box
- **One Connect Box Power Cord
- **One Connect Cable x 2
- **One Connect cable holder (for wall mount)
- Web Camera / Lens Cover / Pogo Gender (QN95C Series only)

- *: Some of the items specified above may not be included in the package, depending on the TV model.
- ** : QN9**C, QN8**C, QN7**C, S95C Series
- The type of battery may vary depending on the model.
 - The items' colors and shapes may vary depending on the models.
 - Cables not included can be purchased separately.
 - Check for any accessories hidden behind or in the packing materials when opening the box.



The screen can be damaged from direct pressure when handled incorrectly. As shown in the figure, make sure to grip the edges of the screen when you lift the TV. For more information about handling, refer to the Unpacking and Installation Guide came with this product.



Before Reading This User Manual

This TV comes with this User Manual and an embedded e-Manual (⊞) > ≡ (left directional button) > ⚙️ Settings > Support > Open e-Manual).

On the website (www.samsung.com), you can download the manuals and see its contents on your PC or mobile device.

Warning! Important Safety Instructions

Please read the Safety Instructions before using your TV. Refer to the table below for an explanation of symbols which may be on your Samsung product.

CAUTION	
RISK OF ELECTRIC SHOCK. DO NOT OPEN.	
CAUTION: TO REDUCE THE RISK OF ELECTRIC SHOCK, DO NOT REMOVE COVER (OR BACK). THERE ARE NO USER SERVICEABLE PARTS INSIDE. REFER ALL SERVICING TO QUALIFIED PERSONNEL.	
	This symbol indicates that high voltage is present inside. It is dangerous to make any kind of contact with any internal part of this product.
	This symbol indicates that this product has included important literature concerning operation and maintenance.
	Class II product: This symbol indicates that a safety connection to electrical earth (ground) is not required. If this symbol is not present on a product with a power cord, the product MUST have a reliable connection to protective earth (ground).
	AC voltage: Rated voltage marked with this symbol is AC voltage.
	DC voltage: Rated voltage marked with this symbol is DC voltage.
	Caution. Consult instructions for use: This symbol instructs the user to consult the user manual for further safety related information.

Power

- Do not overload wall outlets, extension cords, or adapters beyond their voltage and capacity. It may cause fire or electric shock. Refer to the power specifications section of the manual or the power supply label on the product for voltage and amperage information.
- Power-supply cords should be placed so that they are not likely to be walked on or pinched by items placed upon or against them. Pay particular attention to cords at the plug end, at wall outlets, and at the point where they exit from the appliance.
- Never insert anything metallic into the open parts of this apparatus. This may cause electric shock.
- To avoid electric shock, never touch the inside of this apparatus. Only a qualified technician should open this apparatus.
- Be sure to plug in the power cord until it is firmly seated. When unplugging the power cord from a wall outlet, always pull on the power cord's plug. Never unplug it by pulling on the power cord. Do not touch the power cord with wet hands.
- If this apparatus does not operate normally - in particular, if there are any unusual sounds or smells coming from it - unplug it immediately and contact an authorized dealer or Samsung service center.
- To protect this apparatus from a lightning storm, or to leave it unattended and unused for a long time, be sure to unplug it from the wall outlet and disconnect the antenna or cable system.
 - Accumulated dust can cause an electric shock, an electric leakage, or a fire by causing the power cord to generate sparks and heat by causing the insulation to deteriorate.
- Use only a properly grounded plug and wall outlet.
 - An improper ground may cause electric shock or equipment damage. (Class I Equipment only)
- To turn off this apparatus completely, disconnect it from the wall outlet. To ensure you can unplug this apparatus quickly if necessary, make sure that the wall outlet and power plug are readily accessible.

Installation

- Do not place this apparatus near or over a radiator or heat register, or where it is exposed to direct sunlight.
- Do not place any objects (vases etc.) containing water on this apparatus, as this can result in a fire or electric shock.
- Do not expose this apparatus to rain or moisture.
- Be sure to contact an authorized Samsung service center for information if you intend to install your TV in a location with heavy dust, high or low temperatures, high humidity, chemical substances, or where it will operate 24 hours a day such as in an airport, a train station, etc. Failure to do so may lead to serious damage to your TV.
- Do not expose this apparatus to dripping or splashing.

Mounting the TV on a wall

If you mount this TV on a wall, follow the instructions exactly as set out by the manufacturer. If it is not correctly mounted, the TV may slide or fall and cause serious injury to a child or adult and serious damage to the TV.

- To order the Samsung wall mount kit, contact Samsung service center.
- Samsung Electronics is not responsible for any damage to the product or injury to yourself or others if you choose to install the wall mount on your own.
- Samsung is not liable for product damage or personal injury when a non-VESA or non-specified wall mount is used or when the consumer fails to follow the product installation instructions.
- You can install your wall mount on a solid wall perpendicular to the floor. Before attaching the wall mount to surfaces other than plaster board, contact your nearest dealer for additional information. If you install the TV on a ceiling or slanted wall, it may fall and result in severe personal injury.
- When installing a wall mount kit, we recommend you fasten all four VESA screws.
- If you want to install a wall mount kit that attaches to the wall using two top screws only, be sure to use a Samsung wall mount kit that supports this type of installation. (You may not be able to purchase this type of wall mount kit, depending on the geographical region.)
- Do not mount the TV at more than a 15 degree tilt.
- Standard dimensions for wall mount kits are shown in the table on the Unpacking and Installation Guide.



Do not install your wall mount kit while your TV is turned on. This may result in personal injury from electric shock.

- Do not use screws that are longer than the standard dimension or do not comply with the VESA standard screw specifications. Screws that are too long may cause damage to the inside of the TV set.
- For wall mounts that do not comply with the VESA standard screw specifications, the length of the screws may differ depending on the wall mount specifications.
- Do not fasten the screws too firmly. This may damage the product or cause the product to fall, leading to personal injury. Samsung is not liable for these kinds of accidents.
- Always have two people mount the TV onto a wall.
 - For 82 inch or larger models, have four people mount the TV onto a wall.

Providing proper ventilation for your TV

When you install your TV *and One Connect Box, maintain a distance of at least 4 inches (10 cm) between the TV *and One Connect Box with other objects (walls, cabinet sides, etc.) to ensure proper ventilation. Failing to maintain proper ventilation may result in a fire or a problem with the product caused by an increase in its internal temperature.

*: One Connect Box Supported Model Only

- When you install your TV with a stand or a wall mount, we strongly recommend you use parts provided by Samsung Electronics only. Using parts provided by another manufacturer may cause difficulties with the product or result in injury caused by the product falling.

Safety Precaution



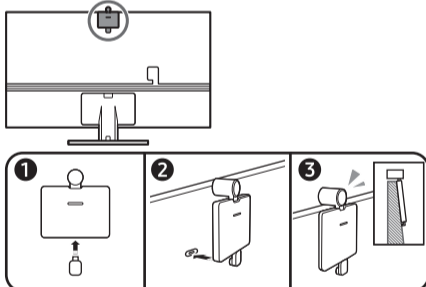
Caution: Pulling, pushing, or climbing on the TV may cause the TV to fall. In particular, ensure your children do not hang on or destabilize the TV. This action may cause the TV to tip over, causing serious injuries or death. Follow all safety precautions provided in the Safety Flyer included with your TV. For added stability and safety, you can purchase and install the anti-tip device, refer to "Preventing the TV from falling."



WARNING: Never place a television set in an unstable location. The television set may fall, causing serious personal injury or death. Many injuries, particularly to children, can be avoided by taking simple precautions such as:

Connecting the camera to the product (QN95C Series only)

When you connect a camera, you can use video calls, home workouts, and other new features with the camera.



Resolution	1920 x 1080, 30 fps (FHD)
Automatic lighting correction	YES
Viewing angle	85 °

04 Troubleshooting and Maintenance

Troubleshooting

- For more information, refer to "Troubleshooting" in the e-Manual.
- ⊞ > ≡ (left directional button) > ⚙️ Settings > Support > Open e-Manual > Troubleshooting
- If none of the troubleshooting tips apply, please visit "www.samsung.com" and click Support or contact the Samsung service center.
- This panel is made up of sub pixels which require sophisticated technology to produce. There may be, however, a few bright or dark pixels on the screen. These pixels will have no impact on the performance of the product.
 - To keep your TV in optimum condition, upgrade to the latest software. Use the **Update Now** or **Auto Update** functions on the TV's menu (⊞) > ≡ (left directional button) > ⚙️ Settings > Support > Software Update > Update Now or Auto Update).

The TV won't turn on.

- Make sure that the power cord is securely plugged into the product and the wall outlet.
- Make sure that the wall outlet is working and the remote control sensor at the bottom of the TV is lit and glowing a solid red.
- Try pressing the **TV Controller** button at the bottom of the TV to make sure that the problem is not with the remote control. If the TV turns on, refer to "The remote control does not work."

The remote control does not work.

- Check if the remote control sensor at the bottom of the TV blinks when you press the ⊞ button on the remote control.
 - CU7 Series (except for CU77** model): If it does not blink, replace the remote control's batteries. Make sure that the batteries are installed with their poles (+/-) in the correct direction. Alkaline batteries are recommended for longer battery life.
 - Other models: When the remote's battery is discharged, charge the battery using the USB charging port (C-type), or turn over the remote to expose the solar cell to light.
- Try pointing the remote directly at the TV from 5 ft. to 6 ft. (1.5-1.8 m) away.
- If your TV came with a Samsung Smart Remote (Bluetooth Remote), make sure to pair the remote to the TV. To pair a Samsung Smart Remote, press the ⊞ and ⊞ buttons together for 3 seconds.

Eco Sensor and screen brightness

Eco Sensor adjusts the brightness of the TV automatically. This feature measures the light in your room and optimizes the brightness of the TV automatically to reduce power consumption. If you want to turn this off, go to ⊞ > ≡ (left directional button) > ⚙️ Settings > All Settings > General & Privacy > Power and Energy Saving > Brightness Optimization.

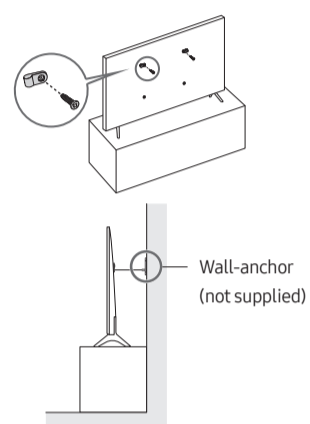
- The eco sensor is located at the bottom of the TV. Do not block the sensor with any object. This can decrease picture brightness.

- Always use cabinets or stands or mounting methods recommended by Samsung.
- Always use furniture that can safely support the television set.
- Always ensure the television set is not overhanging the edge of the supporting furniture.
- Always educate children about the dangers of climbing on furniture to reach the television set or its controls.
- Always route cords and cables connected to your television so they cannot be tripped over, pulled or grabbed.
- Never place a television set in an unstable location.
- Never place the television set on tall furniture (for example, cupboards or bookcases) without anchoring both the furniture and the television set to a suitable support.
- Never place the television set on cloth or other materials that may be located between the television set and supporting furniture.
- Never place items that might tempt children to climb, such as toys and remote controls, on the top of the television or furniture on which the television is placed.

If the existing television set is going to be retained and relocated, the same considerations as above should be applied.

- When you have to relocate or lift the TV for replacement or cleaning, be sure not to pull out the stand.

Preventing the TV from falling



- Using the appropriate screws, firmly fasten a set of brackets to the wall. Confirm that the screws are firmly attached to the wall.
 - You may need additional material such as wall anchors depending on the type of wall.

- Using the appropriately sized screws, firmly fasten a set of brackets to the TV.
 - For the screw specifications, refer to the standard screw part in the table on the Unpacking and Installation Guide.
- Connect the brackets fixed to the TV and the brackets fixed to the wall with a durable, heavy-duty string, and then tie the string tightly.
 - Install the TV near the wall so that it does not fall backwards.
 - Connect the string so that the brackets fixed to the wall are at the same height as or lower than the brackets fixed to the TV.

Operation

- This apparatus uses batteries. In your community, there might be environmental regulations that require you to dispose of these batteries properly. Please contact your local authorities for disposal or recycling information.
- Store the accessories (remote control, batteries, or etc.) in a location safely out of the reach of children.
- Do not drop or strike the product. If the product is damaged, disconnect the power cord and contact a Samsung service center.
- Do not dispose of remote control or batteries in a fire.
- Do not short-circuit, disassemble, or overheat the batteries.
- CAUTION:** There is danger of an explosion if you replace the batteries used in the remote with the wrong type of battery. Replace only with the same or equivalent type.
- WARNING - TO PREVENT THE SPREAD OF FIRE, KEEP CANDLES AND OTHER ITEMS WITH OPEN FLAMES AWAY FROM THIS PRODUCT AT ALL TIMES.**

Caring for the TV

- To clean this apparatus, unplug the power cord from the wall outlet and wipe the product with a soft, dry cloth. Do not use any chemicals such as wax, benzene, alcohol, thinners, insecticide, air fresheners, lubricants, or detergents. These chemicals can damage the appearance of the TV or erase the printing on the product.
- The exterior and screen of the TV can get scratched during cleaning. Be sure to wipe the exterior and screen carefully using a soft cloth to prevent scratches.
- Do not spray water or any liquid directly onto the TV. Any liquid that goes into the product may cause a failure, fire, or electric shock.

Decreasing power consumption

When you shut the TV off, it enters Standby mode. In Standby mode, it continues to draw a small amount of power. To decrease power consumption, unplug the power cord when you don't intend to use the TV for a long time.

Licenses

Dolby Audio

POWERED BY

QUICKSET™

HEVC Advance™
Covered by Patents at patentlist.hevcadvance.com

HDMI™

The terms HDMI, HDMI High-Definition Multimedia Interface, HDMI trade dress and the HDMI Logos are trademarks or registered trademarks of HDMI Licensing Administrator, Inc.

Notes

- This device is a Class B digital apparatus.
- For information about the power supply, and more information about power consumption, refer to the information on the label attached to the product.
 - On most models, the label is attached to the back of the TV. (On some models, the label is inside the cover terminal.)
 - On One Connect Box models, the label is attached to the bottom of the One Connect Box.
- To connect a LAN cable, use a CAT 7 (*STP type) cable for the connection. (100/10 Mbps)
 - * Shielded Twisted Pair
- The images and specifications of the Unpacking and Installation Guide may differ from the actual product.

SAMSUNG

GUIDE DE L'UTILISATEUR

Merci d'avoir acheté ce produit Samsung.

Pour recevoir une plus vaste gamme de services, enrregistrez votre produit au www.samsung.com

Modèle _____ No de série _____

Pour de plus amples renseignements ou pour obtenir de l'aide, composez le 1-800-SAMSUNG (1-800-726-7864).

Les figures et les illustrations ne sont fournies qu'à titre de référence. L'apparence réelle du produit pourrait être différente. La conception et les spécifications du produit peuvent changer sans avis préalable.

Comment contacter Samsung dans le monde

Si vous avez des suggestions ou des questions concernant les produits Samsung, veuillez contacter le Centre de service Samsung. Visitez le site de votre pays : <http://www.samsung.com>

Pays	Centre de service Samsung	Site Web	Adresse
CANADA	1-800-SAMSUNG (726-7864)	www.samsung.com/ca/support (English) www.samsung.com/ca_fr/support (French)	Samsung Electronics Canada Inc. 2050 Derry Road West Mississauga, Ontario L5N 0B9 Canada

© 2023 Samsung Electronics Co., Tous droits réservés.

Sécurité Internet

Samsung prend un certain nombre de mesures afin de protéger ses téléviseurs Smart TV compatibles avec Internet contre le piratage et les accès non autorisés. Par exemple, certaines communications sensibles entre le téléviseur et les serveurs Internet sont cryptées. De plus, le système d'exploitation du téléviseur est doté de contrôles qui empêchent l'installation d'applications non autorisées. Malgré toutes les mesures de protection que nous avons prises pour protéger l'information et l'accès au téléviseur Smart TV, tout appareil connecté à Internet ou les transmissions de données sur Internet ne sauraient être totalement sécurisés. Par conséquent, nous vous encourageons à prendre des mesure de protection supplémentaires, à protéger votre connexion à Internet et à réduire les risques d'accès non autorisé. Ces mesures sont présentées ci-après :

- Nous vous conseillons d'installer le plus rapidement possible toutes les nouvelles mises à jour de logiciels que Samsung met à disposition pour améliorer la sécurité de votre téléviseur. Pour recevoir automatiquement ces mises à jour, activez **Mise à jour automatique** dans le menu du téléviseur (🔹> ≡ (touche directionnelle vers la gauche)> ⚙️ Paramètres > Support tech. > Mise à jour du logiciel > Mise à jour automatique). Lorsqu'une mise à jour est disponible, un message contextuel s'affiche à l'écran. Acceptez le téléchargement et l'exécution de la mise à jour en sélectionnant Oui quand on vous posera la question. Prenez des mesures pour sécuriser votre point d'accès et votre réseau sans fil. Dans le guide de votre point d'accès, vous trouverez des instructions supplémentaires pour mettre en place les mesures suivantes :

- Protéger les paramètres de gestion de votre point d'accès sans fil en choisissant un mot de passe unique qui protège contre toute modification non autorisée des paramètres de sécurité.
- Mettre en place un système de cryptage standard (p. ex. le mécanisme de cryptage WPA2) sur votre point d'accès sans fil afin de protéger le signal de votre réseau sans fil.

* : Certains des éléments spécifiés ci-dessus peuvent ne pas être inclus dans l'emballage, selon le modèle de téléviseur.

- ** Série QN9**C, QN8**C, QN7**C, S95C
- Le type de pile peut varier selon le modèle.
- La forme et la couleur des articles peuvent varier selon le modèle.
- Les câbles non compris avec l'appareil peuvent être achetés séparément.
- Lorsque vous ouvrez la boîte, vérifiez s'il y a des accessoires cachés dans le matériau d'emballage.

Si vous exercez une pression sur l'écran ou si vous le manipulez de manière inappropriée, vous pourrez l'endommager. Conformément à l'illustration, assurez-vous de tenir l'écran par les bords lorsque vous soulevez le téléviseur. Pour obtenir davantage d'informations à ce sujet, consultez le Guide de déballage et d'installation fourni avec ce produit.



Avant de lire le guide d'utilisation.

Ce téléviseur est livré avec le présent guide d'utilisation et un guide électronique intégré (🔹> ≡ (touche directionnelle vers la gauche)> ⚙️ Paramètres > Support tech. > Ouvrir e-Manual). Sur le site Web (www.samsung.com), vous pouvez télécharger le guide d'utilisation et voir son contenu sur votre ordinateur ou votre appareil mobile.

Avertissement! Consignes de sécurité importantes

Avant d'utiliser le téléviseur, veuillez lire les instructions de sécurité. Consultez le tableau ci-dessous pour connaître la signification des symboles qui pourraient se trouver sur votre appareil Samsung.

ATTENTION	
RISQUE DE DÉCHARGE ÉLECTRIQUE. NE PAS OUVRIR.	
MISE EN GARDE : AFIN DE RÉDUIRE LE RISQUE DE CHOC ÉLECTRIQUE, N'ENLEVEZ PAS LE COUVERCLE (OU LE PANNEAU ARRIÈRE). AUCUNE PIÈCE POUVANT ÊTRE RÉPARÉE PAR L'UTILISATEUR NE SE TROUVE À L'INTÉRIEUR. VEUILLEZ VOUS ADRESSER À UN TECHNICIEN AGRÉÉ POUR TOUTE RÉPARATION.	
	Ce symbole indique la présence d'une haute tension à l'intérieur. Tout contact avec une pièce interne de l'appareil présente un danger.
	Ce symbole vous informe qu'une documentation importante relative au fonctionnement et à l'entretien est fournie avec le produit.
	Produit de catégorie II : Ce symbole indique qu'une connexion de sécurité de mise à la terre (à la masse) n'est pas requise. Si ce symbole ne se trouve pas sur un appareil doté d'un cordon d'alimentation, le produit DOIT avoir un conducteur de protection fiable (mise à la terre).
	Tension CA : La tension nominale indiquée par ce symbole est la tension CA.
	Tension CC : La tension nominale indiquée par ce symbole est la tension CC.
	Mise en garde. Consultez les instructions aux fins d'utilisation : Ce symbole indique à l'utilisateur qu'il doit consulter le guide d'utilisation pour avoir de l'information au sujet de la sécurité.

02 Connecter le téléviseur au boîtier One Connect

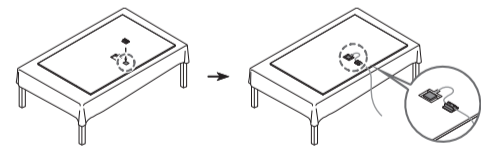
(Modèle pris en charge par le boîtier One Connect uniquement)
Pour avoir plus d'information sur la façon d'établir une connexion par l'intermédiaire du boîtier One Connect, consultez le Guide d'installation rapide.

- N'utilisez pas le boîtier One Connect en position debout ou à l'envers.
- Veillez à ce que le câble ne soit pas soumis aux contraintes ci-après. Le câble Câble One Connect renferme un circuit d'alimentation.

				
Plier	Appliquer une torsion	Tirer	Comprimer	Choc électrique

Utilisation du serre-câbles One Connect

Vous pouvez utiliser le serre-câbles One Connect pour ordonner les câbles lors de l'installation du support mural.



03 Configuration initiale

Lorsque vous mettez le téléviseur en marche pour la première fois, il lance immédiatement la configuration initiale. Suivez les directives qui s'affichent à l'écran et configurez les réglages de base du téléviseur afin qu'ils correspondent à votre environnement de visionnement.

Mise sous tension

- Ne surchargez ni vos prises murales ni vos câbles d'extension ni vos Adaptateur (tension et puissance installée) Une surcharge pourrait entraîner un incendie ou des décharges électriques. Reportez-vous à la section portant sur les spécifications électriques du manuel ou à l'étiquette sur l'alimentation électrique du produit pour connaître les renseignements sur la tension électrique et l'intensité.
- Les cordons d'alimentation doivent être disposés de telle sorte afin d'éviter que l'on ne marche dessus ou qu'un objet s'y accroche. Portez une attention particulière aux cordons près de l'extrémité de la fiche, à proximité des prises de sortie murales et à leur point de sortie sur l'appareil.
- N'insérez jamais d'objet métallique dans les parties ouvertes de cet appareil, car Ceci pourrait provoquer une décharge électrique.
- Pour éviter tout risque d'électrocution, ne mettez jamais les doigts à l'intérieur de l'appareil. Seul un technicien qualifié est habilité à ouvrir cet appareil.
- Assurez-vous de brancher le cordon d'alimentation de sorte qu'il soit correctement inséré dans la prise. Pour débrancher le cordon d'alimentation d'une prise murale, tenez la fiche. Ne débranchez jamais le cordon en tirant sur ce dernier. Évitez de toucher le cordon avec les mains mouillées.

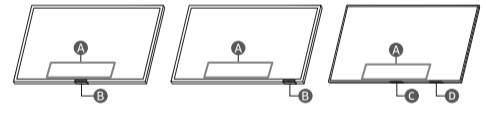
- Si l'appareil ne fonctionne pas normalement, surtout s'il émet des odeurs ou des sons anormaux, débranchez-le immédiatement et appelez un revendeur agréé ou un centre de service Samsung.
- Pour protéger cet équipement en cas d'orage ou si vous comptez le laisser sans surveillance durant une longue période, assurez-vous de le débrancher de la prise et de l'antenne ou du récepteur (câble).
 - L'accumulation de poussière peut provoquer une électrocution, une perte d'énergie, ou un incendie induit par le cordon d'alimentation dû à des variations, une surchauffe ou une détérioration de l'isolation.
- N'utilisez que des prises de sortie murale et des fiches correctement mises à la terre.
 - Une mise à la terre risque incorrecte peut entraîner des électrocutions ou endommager l'appareil (appareil de classe I uniquement).
- Pour mettre cet appareil totalement hors tension, il doit être débranché de la prise murale. Pour être certain de pouvoir débrancher rapidement cet appareil si nécessaire, veillez à ce que la prise murale et la fiche d'alimentation soient facilement accessibles.

Utilisation du Commande du téléviseur

Vous pouvez mettre le téléviseur sous tension à l'aide de la touche **Commande du téléviseur** situé au bas du téléviseur, et ensuite utiliser le **Menu de commande**. Le **Menu de commande** apparaît lorsque l'on appuie sur la touche **Commande du téléviseur** pendant que le téléviseur est sous tension.

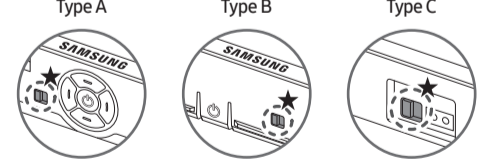
- La position et la forme des touches à l'arrière du téléviseur peuvent varier en fonction du modèle.

- L'écran peut s'obscurcir si vous ne retirez pas la pellicule de protection sur le logo SAMSUNG ou sur le bas du téléviseur. Si une pellicule de protection est présente, retirez-la.



- Menu de commande
- Bouton Commande du téléviseur / Capteur de la télécommande / Interrupteur du microphone
- Bouton Commande du téléviseur / Capteur de la télécommande
- Interrupteur du microphone

Comment activer et désactiver le microphone



- ★ : Activé ↔ Désactivé
Vous pouvez activer et désactiver le microphone au moyen de l'interrupteur qui se trouve au bas du téléviseur. Lorsque le microphone est désactivé, toutes les fonctions vocales et sonores utilisant le microphone ne sont pas disponibles. Cette fonction est uniquement prise en charge par les téléviseurs de la série QN7**C/QN8**C/QN9**C/Q7**C/Q8**C/QN8**C/QN9**C/S9**C.
- La position et la forme de l'interrupteur du microphone peuvent varier en fonction du modèle.
- Pendant l'analyse, qui utilise les données provenant du microphone, aucune donnée n'est enregistrée.

Installation

- L'appareil ne doit pas être placé à proximité ou au-dessus d'un radiateur ou d'une grille d'air de chauffage, ni dans un endroit exposé à la lumière directe du soleil.
- Aucun récipient contenant de l'eau (vases, etc.) ne doit être placé sur l'appareil, car cela présente un risque d'incendie ou de décharge électrique.
- L'appareil ne doit pas être exposé à la pluie ou à l'humidité.
- Communiquez avec un centre de service homologué lorsque vous installez l'appareil dans un endroit exposé à la poussière, à des températures faibles ou élevées, à des produits chimiques et si l'appareil doit fonctionner continuellement 24 heures sur 24, comme dans un aéroport, une gare, etc. Le non-respect de ces consignes peut causer de sérieux dommages au téléviseur.
- L'appareil ne doit pas être exposé à des éclaboussures ou gouttes d'eau ou de liquide.

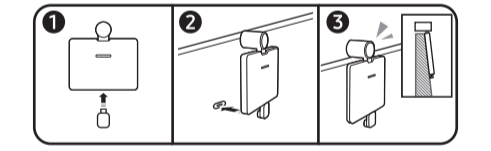
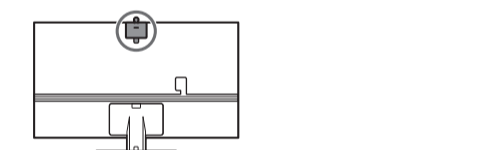
Installation du téléviseur au mur

- Pour l'installation du téléviseur sur un mur, vous devez suivre scrupuleusement les instructions du fabricant. Si l'appareil est mal installé, il risque de glisser ou de tomber et de blesser gravement un enfant ou en adulte. Il pourrait également être très endommagé.

- Pour commander le kit d'installation mural Samsung, contactez lecentre de service Samsung.
- Samsung Electronics n'est pas responsable des dommages causés à l'appareil ni des blessures possibles occasionnées à vous ou à des tiers si vous tentez d'installer le support vous-même.
- Samsung ne saurait être tenue responsable des dommages au produit ou des blessures occasionnés par l'utilisation d'un support mural non conforme aux spécifications VESA ou non recommandé, ou si le consommateur ne suit pas les instructions d'installation du produit.
- Vous pouvez installer le support mural sur un mur massif perpendiculaire au plancher. Avant de fixer le support à un matériau autre que le placoplâtre, veuillez communiquer avec votre détaillant local. Si vous installez le téléviseur à la hauteur du plafond ou sur un mur incliné, il risque de tomber et de causer des blessures.
- Lorsque vous installez un ensemble à installation murale, nous vous recommandons de le fixer à l'aide des quatre vis VESA.
- Si vous voulez installer un ensemble à installation murale qui se fixe uniquement avec deux vis en haut, assurez-vous d'utiliser un ensemble Samsung qui est approprié à ce type d'installation. (Il se peut que vous ne puissiez pas acheter ce type d'ensemble d'installation, selon votre zone géographique).
- N'installez pas le téléviseur à un angle d'inclinaison de plus de 15 degrés.
- Les dimensions standard pour les ensembles de fixation murale figurent dans un tableau du Guide de déballage et d'installation.

Connexion de la caméra au produit (série QN95C uniquement)

Lorsque vous connectez une caméra, vous pouvez profiter d'appels vidéo, d'entraînements à domicile et d'autres nouveautés.



Résolution	1920 x 1080, 30 images/s (FHD)
Ajustement automatique de l'éclairage	OUI
Angle de visionnement	85 °

04 Dépannage et entretien

Dépannage

Pour plus d'informations, reportez-vous au chapitre « Dépannage » du e-Manual.
🔹> ≡ (touche directionnelle vers la gauche)> ⚙️ Paramètres > Support tech. > Ouvrir e-Manual > Dépannage
Dans le cas où aucun de ces conseils de dépannage ne s'applique, allez à « www.samsung.com » et cliquez sur Soutien, ou communiquez avec le centre de service Samsung.
• Cet écran utilise un panneau d'affichage constitué de pixels secondaires dont la production exige une technologie perfectionnée. Il se peut toutefois que certains pixels deviennent sombres ou plus lumineux à l'écran. Ce phénomène n'a aucune incidence sur la performance de l'appareil.
- Pour optimiser les performances de votre téléviseur, utilisez la dernière version logicielle. Utilisez les fonctions **Mettre à jour maintenant** ou **Mise à jour automatique** du menu du téléviseur (🔹> ≡ (touche directionnelle vers la gauche)> ⚙️ Paramètres > Support tech. > Mise à jour du logiciel > Mettre à jour maintenant ou **Mise à jour automatique**).

- N'installez pas le support mural lorsque le téléviseur est sous tension. Cela risque de causer un choc électrique et des blessures corporelles.

- N'utilisez pas de vis plus longues que les dimensions standard ou non conformes aux spécifications VESA en la matière. Des vis trop longues pourraient endommager l'intérieur du téléviseur.
- En ce qui a trait aux supports muraux non conformes aux spécifications de la norme VESA relatives aux vis, la longueur des vis peut différer selon les spécifications du support mural.
- Ne serrez pas trop les vis; cela pourrait endommager le produit ou provoquer sa chute et causer des blessures. Samsung décline toute responsabilité dans le cas où de tels accidents se produiraient.
- Il faut deux personnes pour fixer le téléviseur sur un mur.
 - Pour les modèles de 82 po ou plus, 4 personnes sont nécessaires pour procéder à l'installation au mur.

Ventilation adéquate de votre téléviseur

Au moment de l'installation du téléviseur *et du boîtier One Connect, vous devez laisser une distance d'au moins 4 pouces (10 cm) entre le téléviseur *et le boîtier One Connect et d'autres objets (murs, côtés du meuble, etc.) afin que l'air puisse bien circuler. Le non-respect de cette consigne pourrait faire augmenter la température interne du produit et causer un incendie ou endommager celui-ci.

* : Modèle pris en charge par le boîtier One Connect uniquement
• Lorsque vous utilisez une base ou un support mural, nous vous recommandons fortement d'utiliser seulement les pièces fournies par Samsung Electronics. Si vous utilisez des pièces fournies par un autre fabricant, cela pourrait causer des problèmes ou entraîner des blessures engendrées par la chute du téléviseur.

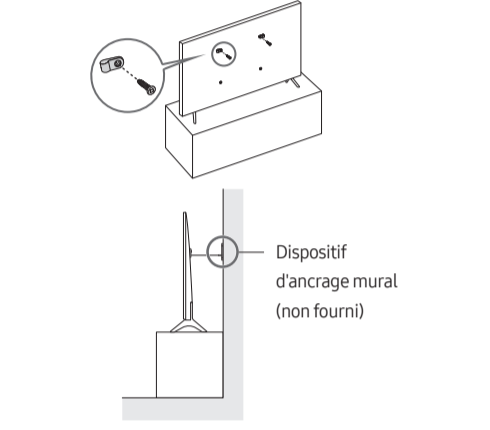
Consignes de sécurité

- Mise en garde** : Le fait de tirer, de pousser ou de monter sur le téléviseur peut en provoquer la chute. Assurez-vous notamment que vos enfants ne se suspendent pas au téléviseur ni le déséquilibrent. Cela pourrait le faire basculer et causer des blessures sérieuses ou entraîner la mort. Suivez toutes les mesures de sécurité indiquées dans la brochure de votre téléviseur. Pour une stabilité et une sécurité accrues, vous pouvez acheter et installer un dispositif antichute, en consultant la section « Pour empêcher le téléviseur de tomber ».

- AVERTISSEMENT** : Ne jamais placer un téléviseur dans une position instable. Le téléviseur peut tomber et causer de graves blessures ou la mort. De nombreuses blessures, notamment causées aux enfants, peuvent être évitées en prenant des précautions simples telles que :

- Utilisez toujours des armoires ou supports, ou encore des méthodes d'installation recommandés par Samsung.
- Utilisez toujours des meubles qui peuvent soutenir le téléviseur en toute sécurité.
- Veillez toujours à ce que le téléviseur ne dépasse pas le bord du meuble sur lequel il est placé.
- Enseignez aux enfants qu'il est dangereux de monter sur les meubles pour atteindre le téléviseur ou ses commandes.
- Placez toujours les câbles et cordons connectés au téléviseur d'une manière qui empêche quiconque d'y trébucher, de les tirer ou de les agripper.
- Ne jamais placer un téléviseur dans une position instable.
- Ne placez jamais le téléviseur sur des meubles hauts (par exemple des armoires ou bibliothèques) sans fixer le meuble et le téléviseur à un support approprié.
- Ne placez jamais le téléviseur sur un tissu ou un autre élément qui pourrait se trouver entre l'appareil et son meuble de soutien.
- Ne placez jamais sur le dessus du téléviseur ou du meuble sur lequel il est placé des articles qui pourraient inciter les enfants à grimper, comme des jouets et des télécommandes. Si le téléviseur est fixé et que vous devez le déplacer, les lignes directrices précédentes doivent toujours étre suivies.
- Lorsque vous devez soulever le téléviseur pour le nettoyer ou le déplacer, veillez à ne pas retirer le support.

Pour empêcher le téléviseur de tomber



- À l'aide des vis appropriées, fixez solidement un ensemble de supports sur le mur. Assurez-vous que les vis sont bien vissées au mur.
 - Il pourrait s'avérer nécessaire d'utiliser des pièces supplémentaires comme des douilles d'ancrage selon le type de mur.

1. À l'aide des vis appropriées, fixez solidement un ensemble de supports sur le mur. Assurez-vous que les vis sont bien vissées au mur.

- Il pourrait s'avérer nécessaire d'utiliser des pièces supplémentaires comme des douilles d'ancrage selon le type de mur.

05 Spécifications et autres renseignements

Résolution d'affichage
Série QN7**C/QN8**C/QN9**C : 7680 x 4320
Autres modèles : 3840 x 2160
Son (sortie)
Série CU7, CU8, Q6**C, Q7**C : 20 W, Série Q8**C : 40 W
Série QN8**C, QN90C : 60 W
(Modèle 50QN90C : 40 W, Modèle 43QN90C : 20 W)
Série S90C : 40 W
Série QN95C/S95C/QN800C : 70 W
Série QN700C : 60 W, Série QN900C : 90 W
Température de fonctionnement
50 °F à 104 °F (10 °C à 40 °C)
Niveau d'humidité en fonctionnement
10 à 80 %, sans condensation
Température d'entreposage
-4 °F à 113 °F (-20 °C à 45 °C)
Niveau d'humidité en entreposage
5 à 95 %, sans condensation

Remarque

- Cet appareil est un appareil numérique de catégorie B.
- Pour les caractéristiques d'alimentation et de consommation électrique, consultez l'étiquette fixée au produit.
 - Sur la plupart des modèles, l'étiquette est fixée à l'arrière du téléviseur. (Sur certains modèles, l'étiquette est fixée à l'intérieur du recouvrement.)
 - Sur les modèles de boîtier One Connect, l'étiquette est fixée dans le bas.
- Pour connecter un câble LAN, utilisez un câble CAT 7 (*type STP) pour la connexion. (100/10 Mo/s)
* Shielded Twisted Pair
- Les images et indications contenues dans le Guide de déballage et d'installation peuvent différer du produit actuel.

- À l'aide des vis de dimensions appropriées, fixez solidement un ensemble de supports sur le mur.
 - Pour ce qui est des spécifications relativement aux vis, reportez-vous à la rubrique « Vis standard » dans le Guide de déballage et d'installation.
- Reliez les supports du téléviseur à ceux du mur à l'aide d'une corde à usage industriel, puis attachez solidement cette dernière.
 - Installez le téléviseur à proximité du mur de manière qu'il ne se renverse pas vers l'arrière.
 - Disposez la corde de sorte que les supports fixés sur le mur soient à la même hauteur ou en dessous de ceux sur le téléviseur.

Fonctionnement

- Cet appareil fonctionne avec des piles. Dans un souci de préservation de l'environnement, la réglementation locale prévoit peut-être des mesures particulières pour la mise au rebut des piles. Veuillez communiquer avec les autorités compétentes pour vous renseigner sur la mise au rebut ou le recyclage des piles.
- Gardez les accessoires (télécommande, piles, etc.) dans un endroit hors de portée des enfants.
- Veillez à ne pas échapper ni plier les lunettes. Si le produit est endommagé, débranchez le cordon d'alimentation et communiquez avec un centre de service.
- Ne jetez pas la télécommande ou les piles au feu.
- Ne pas court-circuiter ou démonter les piles, et éviter qu'elles ne surchauffent.
- MISE EN GARDE** : Il y a un risque d'explosion si vous n'utilisez pas la bonne sorte de piles pour remplacer les piles de la télécommande. Remplacez-les uniquement par des produits similaires ou équivalents.
- ATTENTION – POUR ÉVITER TOUT RISQUE D'INCENDIE, TENEZ TOUJOURS CE PRODUIT À DISTANCE DES BOUGIES ET AUTRES ARTICLES COMPORTANT UNE FLAMME N.U.E.**

Précautions à prendre pour le téléviseur

- Pour nettoyer l'appareil, débranchez le cordon d'alimentation de la prise murale et nettoyez l'appareil à l'aide d'un chiffon doux et sec. N'utilisez pas de produits chimiques tels que de la cire, du benzène, de l'alcool, des solvants, des insecticides, des désodorisants, des lubrifiants ou des détergents. Ces produits peuvent endommager la surface du téléviseur ou effacer les parties imprimées.
- La partie extérieure et l'écran du téléviseur peuvent être rayés durant le nettoyage. Pour éviter qu'il n'y ait des rayures, essayez avec précaution la partie extérieure et l'écran à l'aide d'un chiffon doux.
- Ne vaporisez pas de l'eau ou de liquide nettoyant directement sur le téléviseur. Tout liquide qui s'infiltre dans l'appareil risque de provoquer une défaillance, un incendie ou une décharge électrique.