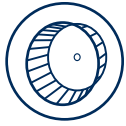


COMBINATION STACK WASHER/DRYER – 60 Hz



MLE22PDAYW / MLE22PRAYW
 MLG22PDAWW / MLG22PRAWW
 MLE22PDAZW / MLE22PRAZW



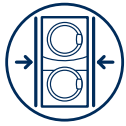
TURBOVENT® SYSTEM

- A high-speed blower wheel optimizes performance in long vents
- High airflow helps reduce drying times for a wide variety of loads
- Helps to increase efficiency and turns over the life of the machine



INTELLIGENT CONTROLS WITH M-SERIES TECHNOLOGY

- Easy-to-read diagnostics assist with quick identification of an issue helping to get the machine back into service
- Owners can control time-of-day pricing and charge for individual cycle modifiers such as add a rinse or water temperature
- End users can easily choose their preferred wash experience with one-touch cycle selection
- Digital display clearly conveys prices, selections, and time remaining



SPACE-SAVING CONFIGURATION

- All within the floor space of a single unit, the large capacity of the 3.1 cu. ft. washer provides ample room for bulky items, while the extra-large, 6.7 cu. ft. dryer allows for loads to be dried effectively
- Saving space can still deliver an optimal cleaning experience for end-users and help maximize facility productivity



BUILT TO LAST

- Porcelain enamel top — a durable finish that stands up to the demands of high-traffic
- Premium bearings — oversized premium NSK bearings are sealed for added protection of the drive system
- Robust hinge — heavy-duty, die-cast door hinge is built to withstand the rigors of commercial laundry



COIN READY
 MLE22PDAYW / MLG22PDAWW



CARD READER READY & NON-VEND
 MLE22PRAZW, MLE22PRAYW
 MLG22PRAWW



COIN READY
 MLE22PDAZW

COMBINATION STACK WASHER/DRYER — 60 Hz		
FUEL TYPE	MODEL NUMBER	PAYMENT CONFIGURATION
Electric	MLE22PDAYW	Coin Ready
Electric	MLE22PRAYW	Card Ready & Non-Vend
Gas	MLG22PDAWW	Coin Ready
Gas	MLG22PRAWW	Card Ready & Non-Vend
Electric	MLE22PDAZW	Coin Ready
Electric	MLE22PRAZW	Card Ready & Non-Vend



See maytagcommerciallaundry.com for warranty details.

VISIT MAYTAGCOMMERCIALLAUNDRY.COM FOR MORE INFORMATION.

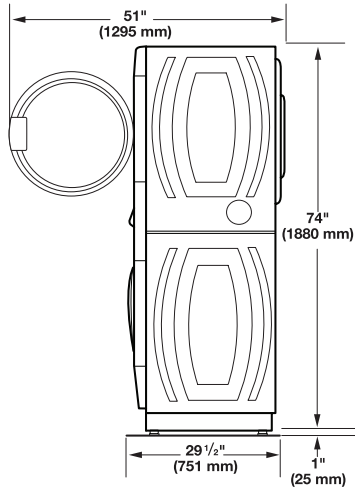
®/™ © 2021 Maytag. All rights reserved.
 D201015MY 03/21

COMBINATION STACK WASHER/DRYER – 60 Hz

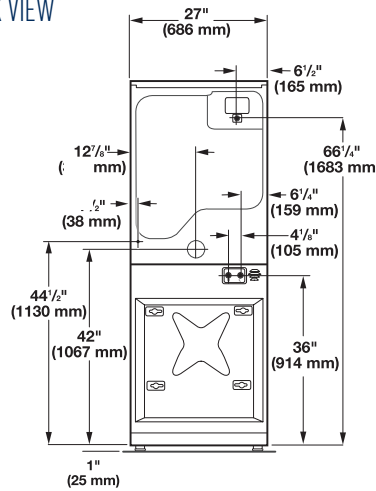


MLE22PDAYW / MLE22PRAYW
MLG22PDAWW / MLG22PRAWW
MLE22PDAZW / MLE22PRAZW

SIDE VIEW



BACK VIEW



MAXIMUM EXHAUST DUCT LENGTH PER NUMBER OF TURNS

Number Of 90° Turns	Rigid Metal Vent	
	Box Hood and Louvered Style	Angled Hood Style
0	135 ft. (41.2 m)	129 ft. (39.3 m)
1	125 ft. (38.1 m)	119 ft. (36.3 m)
2	115 ft. (35.1 m)	109 ft. (33.2 m)
3	106 ft. (32.3 m)	100 ft. (30.5 m)
4	98 ft. (29.9 m)	92 ft. (28.0 m)

MODELS	MLE22PDAYW MLE22PRAYW	MLG22PDAWW MLG22PRAWW	MLE22PDAZW MLE22PRAZW
Fuel Type	Electric	Gas	Electric (Canada)
CAPACITY			
Cylinder Volume — cu. ft. (liters)	3.10 (88)	3.10 (88)	3.10 (88)
Cylinder Diameter — in. (mm)	21.60 (547)	21.60 (547)	21.60 (547)
Cylinder Depth — in. (mm)	13.40 (340)	13.40 (340)	13.40 (340)
DIMENSIONS			
Width — in. (mm)	27 (686)	27 (686)	27 (686)
Depth — in. (mm)	29.50 (751)	29.50 (751)	29.50 (751)
Height — in. (mm)	74 (1,880)	74 (1,880)	74 (1,880)
Door Opening — in. (mm)	18.25 (464)	18.25 (464)	18.25 (464)
Exhaust Duct Diameter — in. (mm)	4 (100)*	4 (100)*	4 (100)*
CRATED DIMENSIONS			
Crated Width — in. (mm)	29.25 (743)	29.25 (743)	29.25 (743)
Crated Depth — in. (mm)	34 (864)	34 (864)	34 (864)
Crated Height — in. (mm)	75.75 (1,924)	75.75 (1,924)	75.75 (1,924)
APPROXIMATE WEIGHT			
Uncrated — lb (kg) Coin Drop & Coin Slide Models	372 (169)	378 (171)	372 (169)
Uncrated — lb (kg) Card Ready & Non-Vend Models	372 (169)	378 (171)	372 (169)
Crated — lb (kg) Coin Drop & Coin Slide Models	383 (173)	389 (176)	383 (173)
Crated — lb (kg) Card Ready & Non-Vend Models	383 (173)	389 (176)	383 (173)
ELECTRICAL REQUIREMENTS			
Voltage	240V - 60Hz	120V - 60Hz	240V - 60Hz
Breaker/Fuse — amps	30	15	40
Airflow — CFM (CMM)	215 (6.10)	230 (6.5)	215 (6.10)
Electric Heating Element (watts)	5,600	N/A	5,250
Gas Rating — BTU/hr (kcal/hr)	N/A	24,000 (6,048)	N/A
Gas Inlet Size — in.	N/A	3/8 N.P.T.	N/A
Motor Size — HP (kW)	1/3 (.25)	1/3 (.25)	1/3 (.25)

*Use 4" (100 mm) diameter rigid aluminum or galvanized steel duct. Never use plastic, non-metal or combustible duct. See specific instructions for proper installation. Because of continuous product improvement, Maytag reserves the right to change specifications without notice. Export model ships without coin-drop mechanism.