

DEU1550W



## FEATURES

Fully customizable exterior, accepting custom panels for an integrated look within cabinetry or stainless steel accessory panels and handles to coordinate with other Sub-Zero, Wolf, and Cove appliances

Seamlessly integrating anywhere, undercounter wine storage adds comfort to your master suite, creates a corner for libations in the study—the options are endless

Offers 24-bottle capacity

Intuitive, touch control panel offers ergonomic, convenient access to settings

UV-resistant glass door shields wine from harmful light

Soft-on LED lighting fully illuminates the interior when the door is open and can be adjusted to four unique stand-by accent lighting settings

Wi-Fi enabled features allow for remote temperature control, provide important door-ajar notifications, and assist with remote service diagnostics—all from your mobile device

Full-extension wine racks provide easy access to standard-size bottles, half bottles, and magnums without agitating others

Inventory tile system aids collection organization

## ACCESSORIES

Custom Panel Lock Kit

Dual Install Kit - Handle-to-Drawer

Dual Install Kit - Handle-to-Handle

Pro Handle

Stainless Steel Dual Kickplate - 30"

Stainless Steel Dual Kickplate - 39"

Stainless Steel Glass Door Panel - Pro Handle, Left Hinge

Stainless Steel Glass Door Panel - Pro Handle, Left Hinge

Stainless Steel Glass Door Panel - Pro Handle, Right Hinge

Stainless Steel Glass Door Panel - Pro Handle, Right Hinge

Stainless Steel Glass Door Panel - Tubular Handle, Left Hinge

Stainless Steel Glass Door Panel - Tubular Handle, Left Hinge

Stainless Steel Glass Door Panel - Tubular Handle, Right Hinge

Stainless Steel Glass Door Panel - Tubular Handle, Right Hinge

Tubular Handle

Undercounter Solid Overlay Door - Left Hinge

Undercounter Solid Overlay Door - Right Hinge

Wine Inventory Tiles

Wine Inventory Tiles-Writable

Accessories are available through an authorized dealer.  
For local dealer information, visit [subzero-wolf.com/locator](https://subzero-wolf.com/locator).



## HANDLE ACCESSORIES

PRO



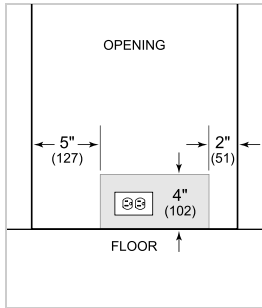
TUBULAR



**PRODUCT SPECIFICATIONS**

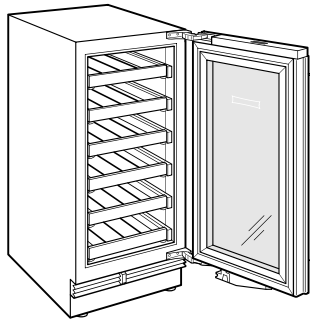
Model	DEU1550W
Dimensions	15"W x 34 1/2"H x 23 1/8"D
Door Clearance	17 1/2"
Weight	131 lbs
Electrical Supply	115 VAC, 60 Hz
Electrical Service	15 amp dedicated circuit
Wine Storage Capacity	24 Bottles
Receptacle	3-prong grounding-type

**ELECTRICAL**



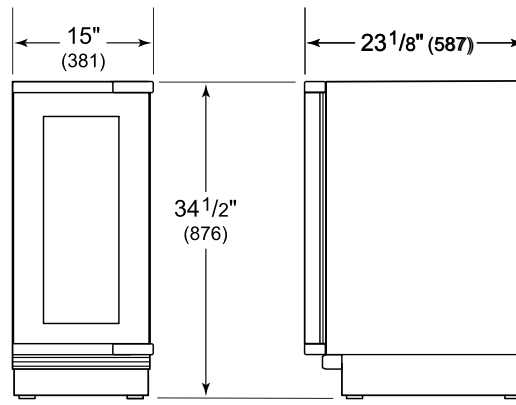
NOTE: Dimensions in parenthesis are in millimeters unless otherwise specified

**INTERIOR VIEW**

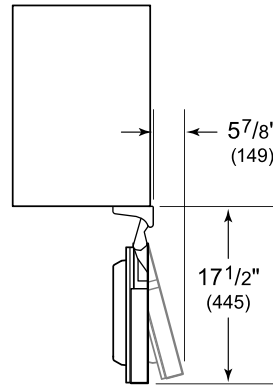


This illustration is intended for interior reference only and may not represent the exterior of the model being specified.

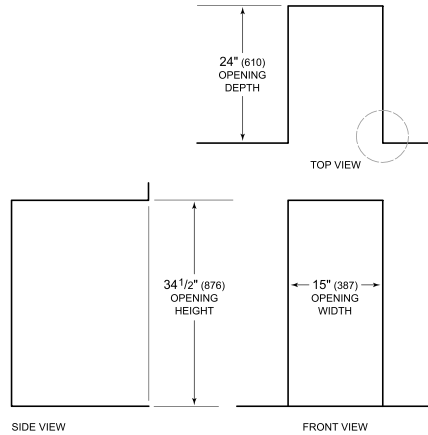
**DIMENSIONS**



HEIGHT DIMENSIONS ± 1/2" (13)



**STANDARD INSTALLATION**



NOTE: 3 1/2" (89) finished returns will be visible and should be finished to match cabinetry.

