

DEU1550B



## FEATURES

Fully customizable exterior, accepting custom panels for an integrated look within cabinetry or stainless steel accessory panels and handles to coordinate with other Sub-Zero, Wolf, and Cove appliances

Seamlessly integrating anywhere, an undercounter beverage center adds comfort to your master suite, creates a corner for libations in the study—the options are endless

Flexible storage options with three adjustable glass shelves

Intuitive, on-door touch control panel offers ergonomic, convenient access to settings

Cleanup is simple with nano-coated, spill-proof shelves

Magnetic door seals lock in cold air to ensure freshness and provide superior energy efficiency

Offers precise temperature control within one degree of setpoint, preserving wine, craft beer, dairy, produce, and other perishables at their optimal temperature

Soft-on LED lighting fully illuminates the interior when the door is open and can be adjusted to four unique stand-by accent lighting settings

Wi-Fi enabled features allow for remote temperature control, provide important door-ajar notifications, and assist with remote service diagnostics—all from your mobile device

## ACCESSORIES

Custom Panel Lock Kit

Dual Install Kit - Handle-to-Drawer

Dual Install Kit - Handle-to-Handle

Pro Handle

Stainless Steel Dual Kickplate - 30"

Stainless Steel Dual Kickplate - 39"

Stainless Steel Solid Door Panel - Pro Handle, Left Hinge

Stainless Steel Solid Door Panel - Pro Handle, Right Hinge

Stainless Steel Solid Door Panel - Tubular Handle, Left Hinge

Stainless Steel Solid Door Panel - Tubular Handle, Right Hinge

Tubular Handle

Accessories are available through an authorized dealer.  
For local dealer information, visit [subzero-wolf.com/locator](https://subzero-wolf.com/locator).



## HANDLE ACCESSORIES

PRO



TUBULAR



## PRODUCT DETAILS

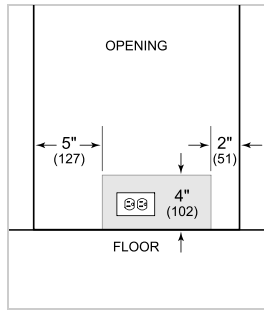
### REFRIGERATOR

- 3 adjustable glass shelves
- LED lighting

**PRODUCT SPECIFICATIONS**

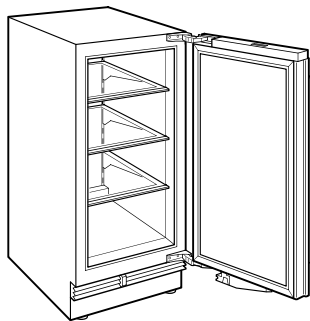
Model	DEU1550B
Dimensions	15"W x 34 1/2"H x 23 1/8"D
Weight	113 lbs
Refrigerator Capacity	3.1 cu. ft.
Electrical Supply	115 VAC, 60 Hz
Electrical Service	15 amp dedicated circuit
Receptacle	3-prong grounding-type

**ELECTRICAL**



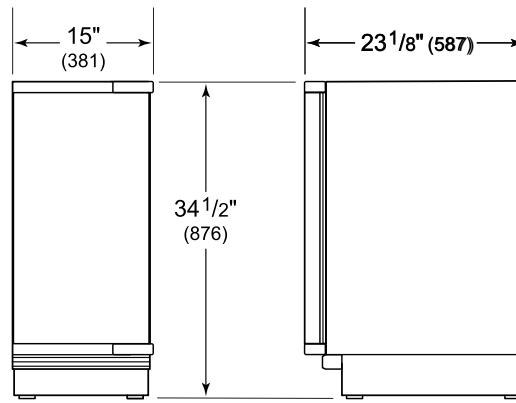
**NOTE:** Dimensions in parenthesis are in millimeters unless otherwise specified

**INTERIOR VIEW**

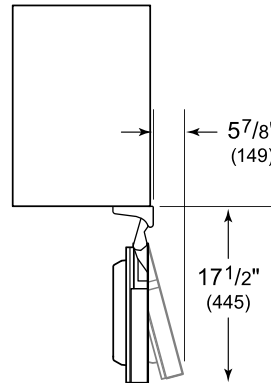


This illustration is intended for interior reference only and may not represent the exterior of the model being specified.

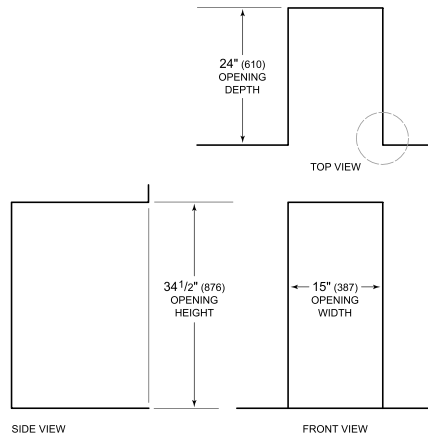
**DIMENSIONS**



HEIGHT DIMENSIONS ± 1/2" (13)



**STANDARD INSTALLATION**



**NOTE:** 3 1/2" (89) finished returns will be visible and should be finished to match cabinetry.

