

DEU2450CI



FEATURES

Fully customizable exterior, accepting custom panels for an integrated look within cabinetry or stainless steel accessory panels and handles to coordinate with other Sub-Zero, Wolf, and Cove appliances

Seamlessly integrating anywhere, undercounter refrigeration adds comfort to your master suite, creates a corner for libations in the study—the options are endless

On-door shelf easily accommodates a wide variety of condiments and beverages, with ample room for larger two-liter bottles

Stores fresh ice in a removable freezer storage bin, and yields extra cubes with Max Ice Mode

Intuitive, on-door touch control panel offers ergonomic, convenient access to settings

Cleanup is simple with nano-coated, spill-proof shelf

Offers precise temperature control within one degree of setpoint, preserving dairy, produce, craft beer, and other perishables at their optimal temperature

Soft-on LED lighting fully illuminates the interior when the door is open

Wi-Fi enabled features allow for remote temperature and Max Ice Mode control, provide important door-ajar notifications, and assist with remote service diagnostic—all from your mobile device

ACCESSORIES

Custom Panel Lock Kit

Dual Install Kit - Handle-to-Drawer

Dual Install Kit - Handle-to-Handle

Outdoor Stainless Steel Solid Door Panel With Lock - Pro Handle, Left Hinge

Outdoor Stainless Steel Solid Door Panel With Lock - Pro Handle, Right Hinge

Pro Handle

Stainless Steel Dual Kickplate - 39"

Stainless Steel Dual Kickplate - 48"

Tubular Handle

Undercounter Solid Overlay Door - Left Hinge

Stainless Steel Solid Door Panels

Accessories are available through an authorized dealer. For local dealer information, visit subzero-wolf.com/locator.



HANDLE ACCESSORIES

PRO



TUBULAR



PRODUCT DETAILS

REFRIGERATOR

- One stationary and one adjustable shelf
- One on-door shelf

FREEZER

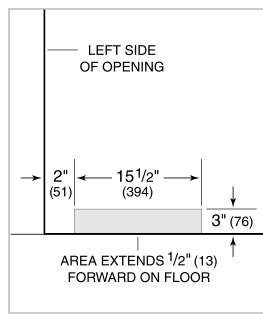
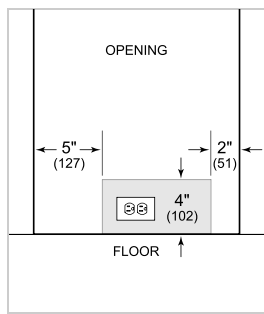
- Removable ice container

PRODUCT SPECIFICATIONS

Model	DEU2450CI
Dimensions	24"W x 34 1/2"H x 23 1/8"D
Door Clearance	26 1/2"
Refrigerator Capacity	3.0 cu. ft.
Freezer Capacity	1.7 cu. ft.
Electrical Supply	115 VAC, 60 Hz
Electrical Service	15 amp dedicated circuit
Wine Storage Capacity	8 Bottles
Receptacle	3-prong grounding-type

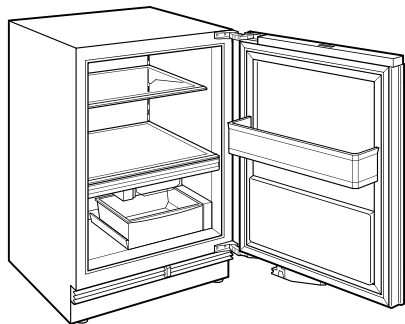
ELECTRICAL

PLUMBING



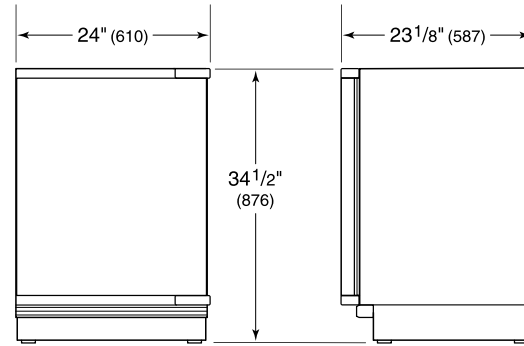
NOTE: Dimensions in parenthesis are in millimeters unless otherwise specified

INTERIOR VIEW

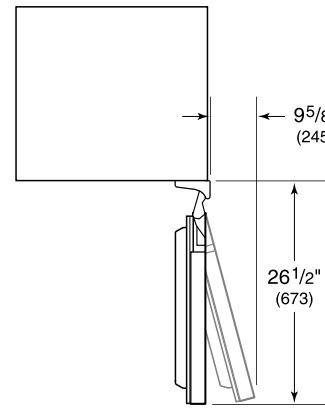


This illustration is intended for interior reference only and may not represent the exterior of the model being specified.

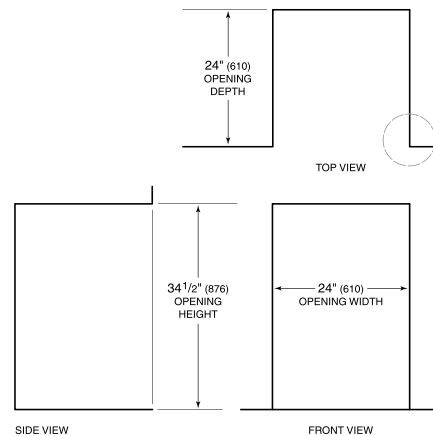
DIMENSIONS



HEIGHT DIMENSIONS ± 1/2" (13)



STANDARD INSTALLATION



NOTE: 3 1/2" (89) finished returns will be visible and should be finished to match cabinetry.

