



Classic Series Refrigeration

Use and Care Guide

CLEANING, MAINTENANCE,
AND MORE



Contents

3	Classic Series Refrigeration
4	Safety Precautions
6	Classic Series Features
8	Touch Controls
10	Storage
14	Product Operation
20	Food Preservation
22	Care Recommendations
24	Troubleshooting
27	Sub-Zero Warranty

Customer Care

The model and serial number are printed on the enclosed product registration card. Both numbers are also listed on the product rating plate. Refer to pages 6–7 for rating plate location. For warranty purposes, you will also need the date of installation and name of your authorized Sub-Zero dealer. Record this information below for future reference.

If your product ever needs attention, be sure to use a Sub-Zero Factory Certified Service provider recommended by our Customer Care Center, or select one from our list of providers available at subzero.com/locator. All Factory Certified Service providers are carefully selected and thoroughly trained by us. For answers and information not available in this guide, visit subzero-wolf.com/assistance.

SERVICE INFORMATION

Model Number	_____
Serial Number	_____
Date of Installation	_____
Certified Service Name	_____
Certified Service Number	_____
Authorized Dealer	_____
Dealer Number	_____

Important Note

To ensure this product is installed and operated as safely and efficiently as possible, take note of the following types of highlighted information throughout this guide:

IMPORTANT NOTE highlights information that is especially important.

⚠ CAUTION

Indicates a situation where minor injury or product damage may occur if instructions are not followed.

⚠ WARNING

States a hazard that may cause serious injury or death if precautions are not followed.

IMPORTANT NOTE: Throughout this guide, dimensions in parentheses are millimeters unless otherwise specified.

IMPORTANT INSTRUCTIONS

▲ WARNING

Do not store explosive substances such as aerosol cans with a flammable propellant in this appliance.

▲ WARNING

Keep ventilation openings, in the appliance enclosure or in the built-in structure, clear of obstruction.

▲ WARNING

Do not use mechanical devices or other means to accelerate the defrosting process, other than those recommended by the manufacturer.


▲ WARNING

Do not expose this appliance to rain.

▲ WARNING

This appliance is only intended for residential use.

▲ WARNING

- This appliance contains flammable refrigerant and must be handled, installed, serviced, and decommissioned by authorized personnel. Once decommissioned, consult local authorities for disposal instructions.
- To minimize the risk of ignition due to improper installation, replacement parts, or service procedures, only refrigeration technicians with flammable refrigerant training who are aware of the dangers of dealing with high voltage electricity and refrigerant under pressure are allowed to work on this equipment.
- Do not damage the refrigeration circuit when installing, maintaining, or servicing the unit.
-  This symbol indicates risk of fire/flammable materials.

▲ CAUTION

Incorporated ice makers must be installed by the manufacturer or its service agent.

▲ WARNING

Do not use electrical appliances inside the food storage compartments of the appliance, unless they are of the type recommended by the manufacturer.

IMPORTANT INSTRUCTIONS

▲ WARNING

This appliance is not intended for use by persons (including children) with reduced physical, sensory or mental capabilities, or lack of experience and knowledge, unless they have been given supervision or instruction concerning use of the appliance by a person responsible for their safety. Children should be supervised to ensure they do not play with the appliance.

▲ WARNING

DANGER: Risk of child entrapment. Before you throw away your old refrigerator or freezer:

- Take off the doors.
- Leave the shelves and drawer dividers in place so that children may not easily climb inside.

▲ WARNING

PROPOSITION 65 FOR CALIFORNIA RESIDENTS

Cancer and Reproductive Harm—
www.P65Warnings.ca.gov

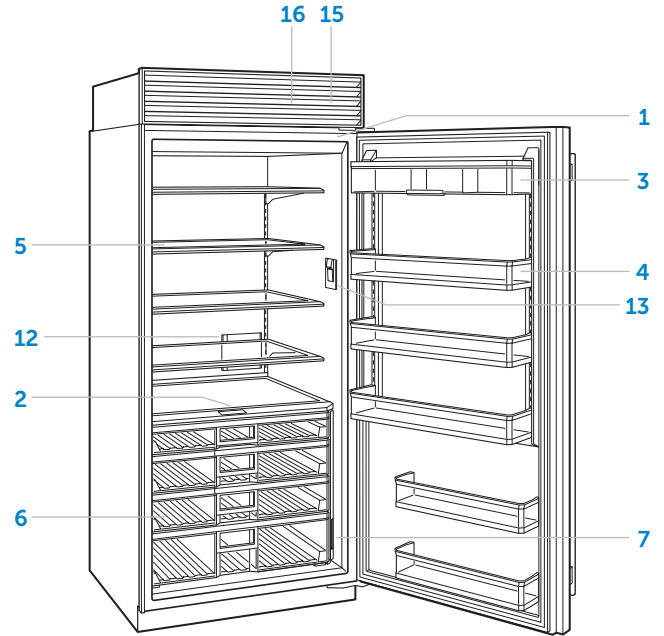
This appliance is intended to be used in household and similar applications such as:

- staff kitchen areas in shops, offices, and other working environments
- farm houses and by clients in hotels, motels, and other residential type environments
- bed and breakfast type environments
- catering and similar non-retail applications

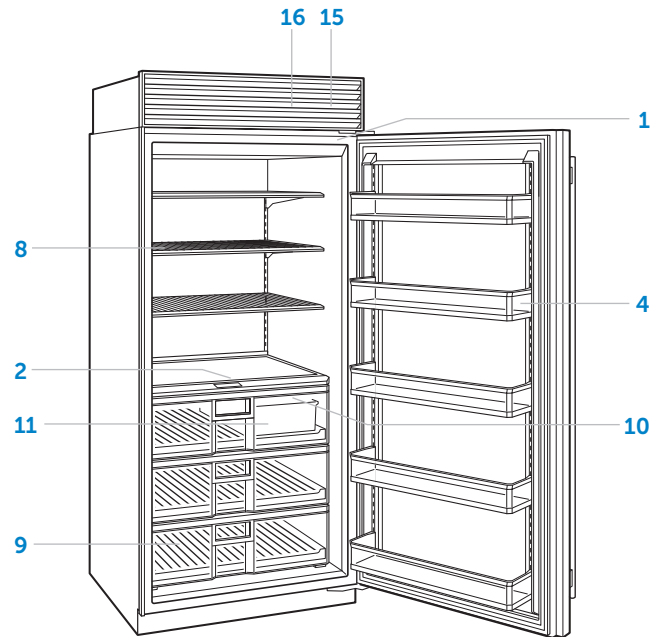
Classic Series Features

FEATURES

1	Product Rating Plate
2	Touch Control Panel
3	Flip-Up Dairy Compartment
4	Adjustable Door Shelves
5	Refrigerator Shelves
6	Refrigerator Storage Drawers
7	Freshness Cards
8	Freezer Shelves
9	Freezer Storage Drawers
10	Ice Maker
11	Removable Ice Bin with Handle
12	Air Purification System
13	Internal Water Dispenser
14	External Ice and Water Dispenser
15	Water Filtration System (behind grille)
16	Condenser (behind grille)

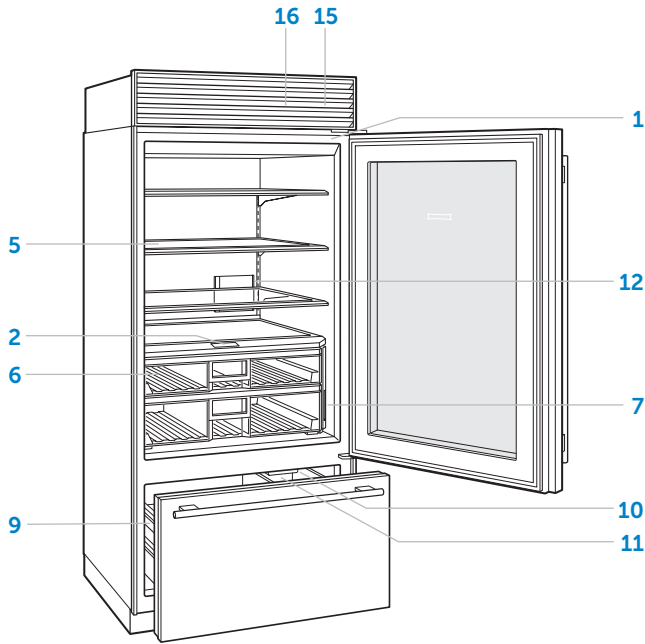


All Refrigerator Model

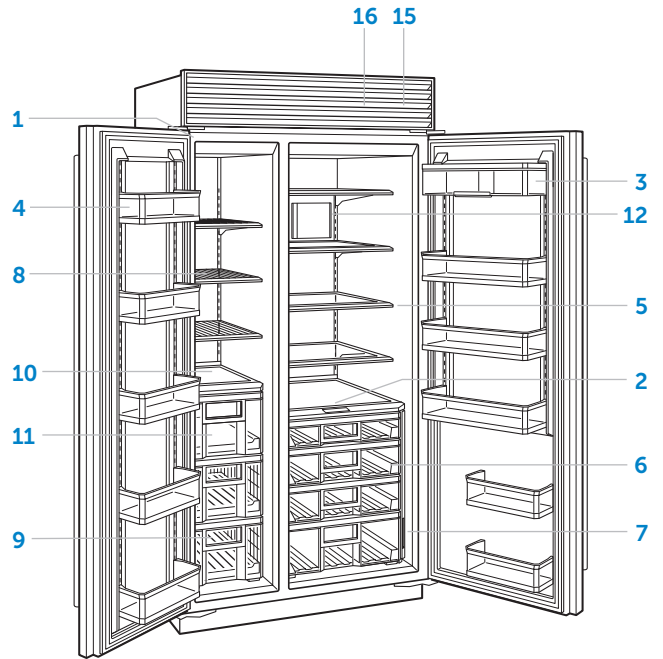


All Freezer Model

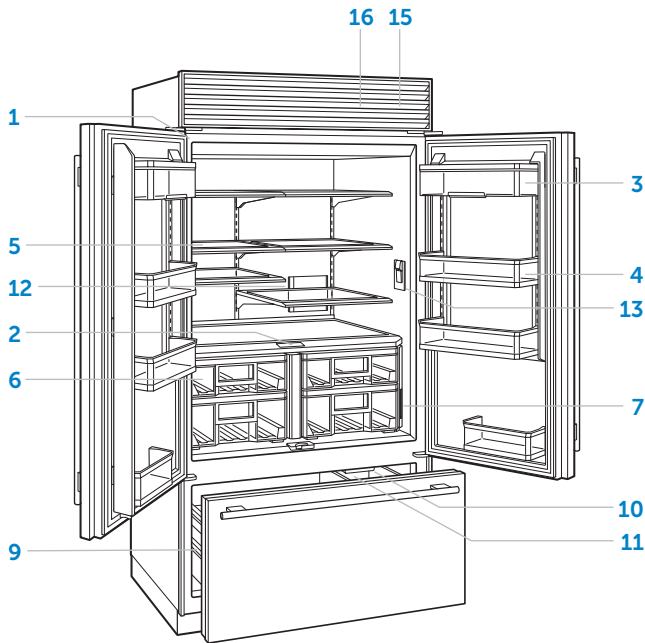
Classic Series Features



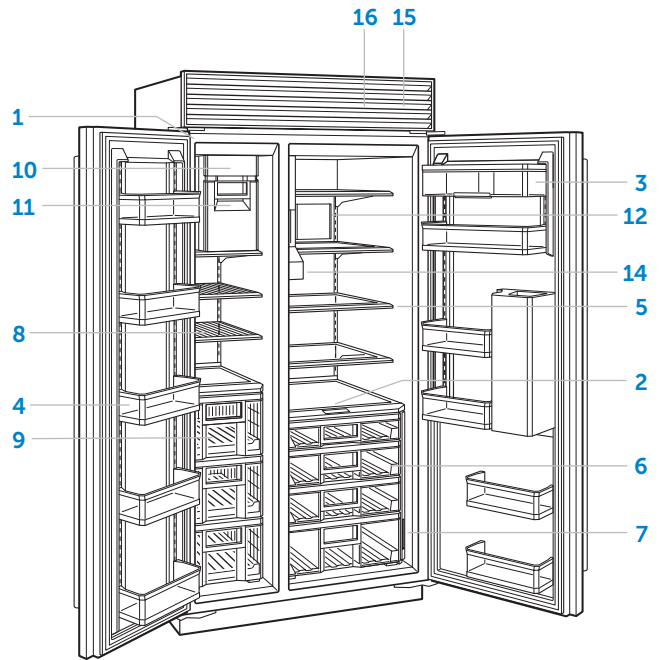
Over-and-Under Model (glass door model shown)



Side-by-Side Model



French Door Model



Side-by-Side Model with External Dispenser

Touch Control Panel

For initial start-up, touch and hold ⓘ on the control panel for 2 seconds.

The recommended temperatures are preset at 0°F (-18°C) for a freezer and 38°F (3°C) for a refrigerator. The temperatures are adjustable in one-degree increments. The combination model has two temperature zones.

To adjust temperature:

- 1 Touch the temperature to be adjusted.
- 2 Touch + or – until the desired temperature is displayed. Refer to the illustration below.

To adjust additional settings, touch ⚙ on the control panel. Refer to the illustration below.



Dual-zone home screen



Single-zone home screen

SETTINGS

	Adjust refrigerator drawer temperature and humidity
	Turn ice maker and max ice on or off
	Turn air purifier on or off
	Adjust soft on lighting and accent lighting (if applicable)
	Turn night mode on or off
	Turn the internal dispenser on or off (if applicable)
	Turn door alarm on or off and adjust duration
	Adjust door alarm volume and tone
	Turn water filter reminder on or off
	Turn connect on or off (if applicable)
	Turn the unit on or off
	Turn Sabbath on or off
	Adjust temperature units
	Select language
	System information
	View troubleshooting and service information

Connect This Appliance

Connect this appliance to remotely monitor and control it. Connecting requires a wireless router, an Internet connection with a network name and password, and a compatible mobile device. There is no limit to the number of appliances you can connect to an account. Connect products from multiple homes to the same account. Connecting appliances is optional.

Connect today to:

- Receive alerts, status updates, and routine maintenance notifications.
- Streamline everyday tasks with the help of remote controls and voice commands.
- Quickly access user manuals and cleaning and maintenance tips.

To connect:

- 1 Download the free Sub-Zero Group Owner's App from the Apple App Store or Google Play.
- 2 With Bluetooth® enabled on the device, stand within a few feet of the appliance, open the app, and follow the on-screen instructions.
- 3 Log in or create an account.
- 4 Tap Add An Appliance or tap + in upper right of the screen to add appliances. To identify which appliance to pair, open the appliance door.
- 5 Tap + next to the appliance to select it. If identical appliances appear, follow the additional step on the screen to identify which appliance to pair.
- 6 Tap Pair Via Bluetooth®. Wait for setup to complete, then tap Set Up Your Appliance For Pairing.
- 7 Tap Choose a Network on the Connect Your Appliance to Wi-Fi screen.
- 8 Select the home Wi-Fi network and enter the network password.
- 9 Tap Turn on Notifications to allow notifications about the appliance (for example, door left ajar).
- 10 Tap Done on the Success screen to complete the setup.

Dual Refrigeration®

This Sub-Zero features a unique Dual Refrigeration® system to keep food fresher longer.

With the Sub-Zero Dual Refrigeration® system, individual refrigerator and freezer systems have been designed to maintain accurate, consistent temperatures and proper humidity levels for longer food life expectancy. Dual Refrigeration® eliminates transfer of fresh food odors to frozen food and ice and does not freeze the moisture out of the air in the fresh food section.

Refrigerator Storage

ADJUSTABLE DOOR SHELVES

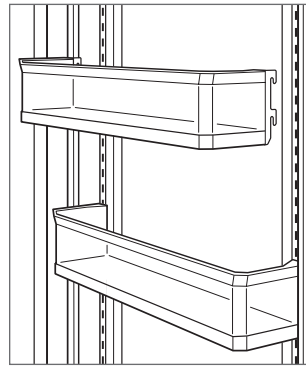
To reposition a door shelf or dairy compartment:

- 1 To remove, lift the shelf from the bottom and slide out. Refer to the illustration below.
- 2 To install, place in the desired position and slide the shelf down onto the guides.

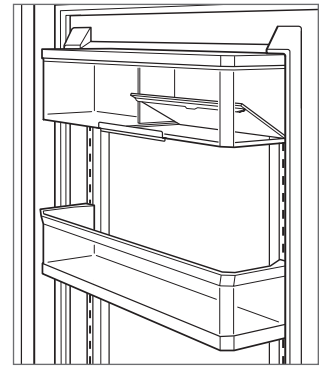
IMPORTANT NOTE: If the door opening is limited to 90°, door shelves may need to be removed before removing a storage drawer or glass shelf.

FLIP-UP DAIRY COMPARTMENT

The bottom of the dairy compartment rotates upward to accommodate taller items below. For models without vertical dividers in the compartment, the entire bottom rotates upward. For models with a vertical divider, one section rotates upward. Refer to the illustration below.



Door shelf removal



Flip-up dairy compartment

Refrigerator Storage

GLASS SHELVES

To reposition a glass shelf:

- 1 To remove, tilt the shelf up, then lift up and out. Refer to the illustration below.
- 2 To install, insert the shelf in the tracks along the back wall, then lower the front until it locks into position.

IMPORTANT NOTE: Use care when handling glass shelves to prevent breakage or scratching the interior.

⚠ CAUTION

Glass shelves should warm to room temperature before immersing in warm water.

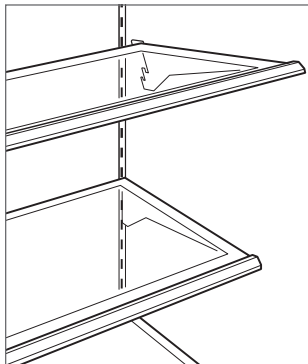
REFRIGERATOR DRAWERS

To remove and install a refrigerator drawer:

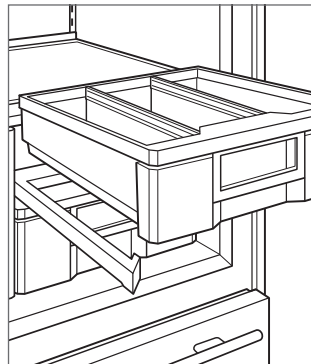
- 1 To remove, pull the drawer open until it stops.
- 2 Lift the front of the drawer slightly and pull straight out. Refer to the illustration below.
- 3 To install, pull the drawer carrier out and align the bottom of the drawer with the carrier.
- 4 Slide the drawer back into position.

To reposition a refrigerator drawer divider:

- 1 To remove, pull the divider straight up.
- 2 To install, align tabs on the divider with notches in the drawer and push down.



Glass shelf removal



Refrigerator drawer removal

Freezer Storage

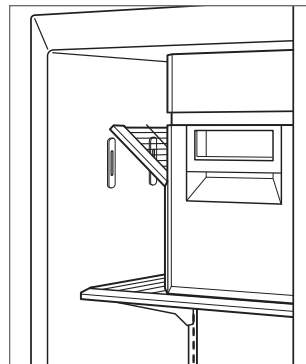
WIRE SHELVES

To reposition a wire shelf:

- 1 To remove, tilt the shelf up, then lift up and out.
- 2 To install, insert the shelf in the tracks along the back wall, then lower the front until it locks into position.

FOLD-UP FREEZER SHELF

For models with an ice dispenser, the fold-up shelf rotates up and down to accommodate large or small items.



Fold-up freezer shelf

Freezer Storage

FREEZER DRAWERS

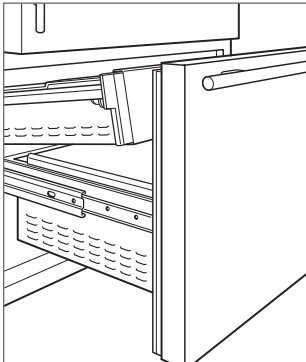
To remove the freezer baskets (over-and-under models):

- 1 Pull the drawer open until it stops.
- 2 Lift the upper and lower freezer baskets up and out. Refer to the illustration below.

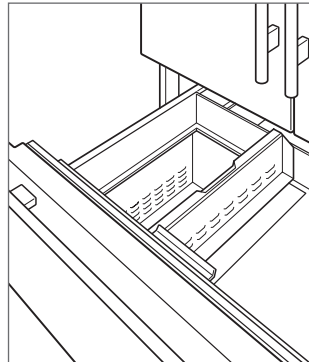
To install the freezer baskets (over-and-under models):

- 1 Insert the lower basket into the four corner retainers.
- 2 Position the upper basket onto the side rails and slide back until it clicks.

Expandable freezer basket—for over-and-under models (excludes 30" model), the left side of the upper freezer basket is adjustable to allow for tall item storage in the lower basket. Slide to the right or left to adjust. Refer to the illustration below.



Freezer basket removal



Expandable freezer basket

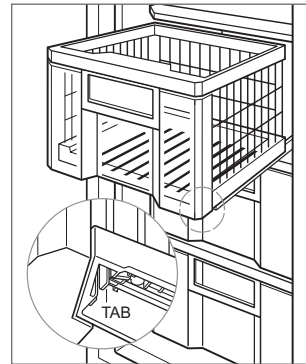
To remove a freezer drawer (all freezer and side-by-side models):

- 1 Pull the drawer open until it stops.
- 2 Pull the two plastic tabs located behind the bottom two corners of the drawer forward, then lift up and out. Refer to the illustration below.

If the door opening is limited to 90°, the top drawer must be removed before removing the middle or lower drawer.

To install a freezer drawer (all freezer and side-by-side models):

- 1 Push the drawer slides in.
- 2 Align the drawer with the slides and push back until it stops.
- 3 Press down on the front of the drawer to engage the slides.



Freezer drawer removal

Freezer Storage

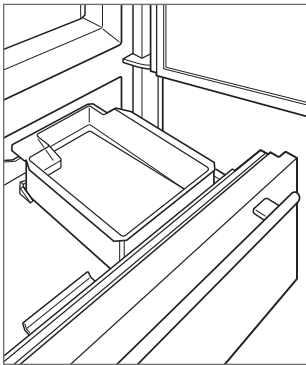
ICE BIN

To remove the ice bin (over-and-under models):

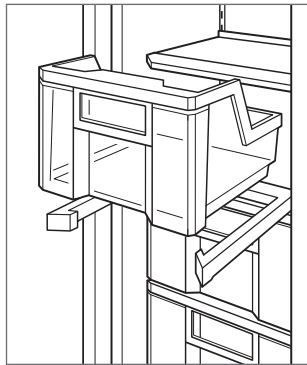
- 1 Pull the freezer drawer open until it stops.
- 2 Lift the ice bin up and out. Refer to the illustration below.

To remove the ice bin (side-by-side models):

- 1 Pull the ice bin forward until it stops.
- 2 Lift the ice bin straight up. Refer to the illustration below.
- 3 To install, pull the carrier out and align the bottom of the ice bin with the carrier.
- 4 Slide the ice bin back into position.



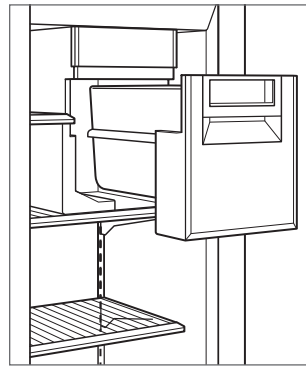
Over-and-under models



Side-by-side models

To remove the ice bin (side-by-side dispenser models):

- 1 Pull the ice bin forward until it stops.
- 2 Lift to clear the carrier assembly along the back, then pull forward and out. Refer to the illustration below.



Side-by-side dispenser models

Temperature



TEMPERATURE CONTROL

To optimize food preservation, the refrigerator drawer temperature is adjustable automatically or manually. All drawers are set to the same temperature and cannot be adjusted individually.

Auto Mode—automatically adjusts the refrigerator drawer temperature 2° below the refrigerator set temperature, but cannot go below 34°F (1°C).

Manual Mode—manually adjust the refrigerator drawer up to 2° above or below the refrigerator setpoint, but cannot go below 34°F (1°C) or above 42°F (6°C).

To adjust temperature:




- 1 Touch .
- 2 Touch .
- 3 Touch "A" or "M" to toggle between modes.
- 4 Touch + or – to adjust the temperature manually.

Humidity

HUMIDITY CONTROL

Some foods, particularly vegetables, require enhanced levels of humidity to maximize freshness. The refrigerator drawer humidity level is adjustable. Select "Enhanced" to make sure produce lasts to its full potential. All drawers are set to the same level and cannot be adjusted individually.

To adjust humidity:

- 1 Touch .
- 2 Touch .
- 3 Touch  to toggle between settings.

Air Purification System

Many fresh foods emit ethylene gas, a naturally-occurring compound that hastens food ripening and spoilage. If your unit is equipped with an air purification system, the cartridge has been factory installed and is located on the back wall of the refrigerator.

To turn on air purification, touch  on the options screen.

⚠ CAUTION

The air purification system complies with applicable federal requirements regarding incidental exposure to ultraviolet light. Lamp contains mercury. Manage in accordance with disposal laws. Visit earth911.com or call 800-222-7820.

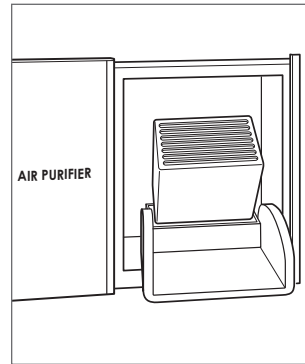
AIR PURIFICATION CARTRIDGE

The air purification cartridge lasts approximately one year. "Snooze/Refresh" appears on the control panel when the cartridge needs to be replaced. Touch "Snooze" to delay the reminder for 24 hours or until the cartridge can be replaced.

Replacement Sub-Zero air purification cartridges can be ordered online at subzero.com/store. For questions, contact Sub-Zero Customer Care at 800-222-7820.

To replace the air purification cartridge:

- 1 To access the air purification cartridge, slide the door to the left.
- 2 Grasp the black cover from the top and rotate downward. The cartridge pops out and can be removed. Refer to the illustration below.
- 3 Remove the new cartridge from packaging and insert with the connector pointing downward.
- 4 Close the black cover, then slide the door to the right.
- 5 Follow the instructions on the control panel. The cartridge life cycle resets for approximately one year.



Air purification cartridge

Water Filtration System

The water filtration system supplies filtered water to the ice maker and water dispenser (dispenser models) to produce great-tasting water and ice.

IMPORTANT NOTE: When using the water filtration system for the first time and after filter replacement, it is necessary to clear any air from the system and allow the filter to assist in cleaning the water lines. For non-dispenser models, discard the first two full bins of ice. For dispenser models, dispense several glasses of water for a period of two minutes.

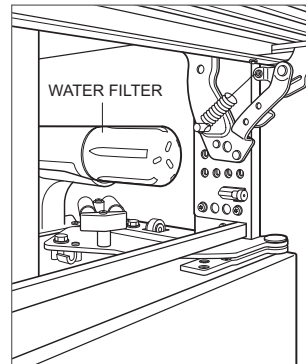
If the water filtration system will not be used, it can be placed in water filter bypass mode by removing the filter.

"Snooze/Refresh" appears on the control panel when the filter needs to be replaced. Touch "Snooze" to delay the reminder for 24 hours or until the filter can be replaced.

Replacement Sub-Zero water filters can be ordered online at subzero.com/store. For questions, contact Sub-Zero Customer Care at 800-222-7820.

To replace the water filter:

- 1 To access the water filter, pull out on the bottom edge of the grille and rotate upward. Refer to the illustration below.
- 2 To remove the old filter, rotate counterclockwise one-quarter turn, then pull out. It is normal for a small amount of water to drip when the filter is removed.
- 3 Remove the new filter from packaging and remove the plastic cap.
- 4 Insert the new filter into the manifold and turn clockwise.
- 5 Follow the instructions on the control panel. The filter life cycle resets for approximately one year.



Water filter removal

Sub-Zero Water Filtration System Data

IMPORTANT NOTICE: Read this Performance Data Sheet carefully and compare the capabilities of this unit with your actual water treatment needs. It is recommended that, before purchasing a water treatment unit, you have your water supply tested to determine your actual water treatment needs.



System tested and certified by NSF International against NSF/ANSI Standard 42 and 53 for the reduction of substances listed below.

The concentration of the indicated substances in water entering the system was reduced to a concentration less than or equal to the permissible limit for water leaving the system, as specified in NSF/ANSI 42/53.

Contaminant Reduction*	Average Influent Concentration	NSF Specified Challenge Concentration	Average % Reduction	Product Water Concentration		NSF Reduction Requirements	NSF Test Report
				Average	Max Permissible		
Chlorine, Taste & Odor	2.0 mg/L	2.0 mg/L ± 10%	97.5%	0.05 mg/L	N/A	≥50%	J-00056501
Normal Particulate Class I, ≥0.5 to <1.0 µm	13,666,667 pts/ml	At least 10,000 particles/ml	98.9%	143,333 pts/ml	N/A	≥85%	J-00056506
Asbestos	96 MF/L	10 ⁷ to 10 ⁸ fibers/L [†]	>99%	<1 MF/L	N/A	≥99%	J-00056511
Atrazine	0.010 mg/L	0.009 mg/L ± 10%	89.3%	0.001 mg/L	0.003 mg/L	N/A	J-00056512
Benzene	0.014 mg/L	0.015 mg/L ± 10%	96.3%	0.005 mg/L	0.005 mg/L	N/A	J-00056535
Carbofuran	0.08 mg/L	0.08 mg/L ± 10%	86.6%	0.01 mg/L	0.04 mg/L	N/A	J-00056537
Cyst**	122,500 cysts/L	Min 50,000 cysts/L	99.99%	1 cyst/L	N/A	≥99.99%	J-00056513
Lead at pH 6.5	0.153 mg/L	0.15 mg/L ± 10%	99.3%	0.001 mg/L	0.010 mg/L	N/A	J-00056515
Lead at pH 8.5	0.150 mg/L	0.15 mg/L ± 10%	99.3%	0.001 mg/L	0.010 mg/L	N/A	J-00058784
Lindane	0.002 mg/L	0.002 mg/L ± 10%	97.8%	0.00004 mg/L	0.0002 mg/L	N/A	J-00058969
Mercury at pH 6.5	0.006 mg/L	0.006 mg/L ± 10%	95%	0.0003 mg/L	0.002 mg/L	N/A	J-00058785
Mercury at pH 8.5	0.006 mg/L	0.006 mg/L ± 10%	88%	0.0007 mg/L	0.002 mg/L	N/A	J-00058783
Toxaphene	0.015 mg/L	0.015 mg/L ± 10%	93.2%	0.001 mg/L	0.003 mg/L	N/A	J-00056531
Turbidity	10.8 NTU	11 ± 1 NTU	98.7%	0.153 NTU	0.5 NTU	N/A	J-00058972
P-Dichlorobenzene	0.215 mg/L	0.225 mg/L ± 10%	99.7%	0.0005 mg/L	0.075 mg/L	N/A	J-00056538

*Contaminant reduction determined by NSF testing. **Based on the use of *Cryptosporidium Parvum* oocysts. [†]Fibers greater than 10 µm in length.

APPLICATION GUIDELINES / WATER SUPPLY PARAMETERS

Capacity: certified for up to 750 gallons (2,839 L); up to twelve months

Service Flow: 0.78 gpm (2.95 Lpm)

Water Supply: potable water

Water Pressure: 35–120 psi (2.8–8.2 bar)

Water Temperature: 40°F–100°F (5°C–40°C)




SPECIAL NOTES

- Replacement Sub-Zero water filter cartridges can be ordered online at subzero.com/store, or contact customer care at 800-222-7820.
- It is recommended that the filter cartridge be replaced when the indicator is displayed, if there is a noticeable drop in pressure, the ice cubes become hollow, or every 12 months, whichever comes first. Replacement filter pricing information can be found at subzero.com/store.
- This filter must be installed, operated, maintained and replaced as required in order for the product to perform as advertised.
- Note that while the testing was performed under standard laboratory conditions, actual performance may vary. The contaminants or other substances removed or reduced by this water treatment system are not necessarily in your water.

Manufactured for: Sub-Zero, Inc., P. O. Box 44848, Madison, WI 53744, 800-222-7820

Ice Maker

To operate the ice maker:

- 1 To turn on the ice maker, touch  on the options screen. A single highlighted cube indicates the ice maker is turned on.  indicates the max ice feature is turned on.
- 2 To turn off the ice maker, touch  until no cubes are highlighted.


After initial start-up, discard the first few batches of ice. The ice may contain impurities from new plumbing connections.



Max ice increases ice production up to 30% for a 24-hour period. During that period, some components may run at a higher speed resulting in a unique audible tone. This is typical and will revert back after 24 hours or when the ice bin is full.

Ice may fuse together if not used regularly. To avoid, discard the ice and allow the ice maker to replenish.



Turn off the ice maker if the ice bin is removed for an extended period. The unit is equipped with a 3-minute delay after the ice bin is removed, to ensure cubes are not ejected before the ice maker is turned off or the ice bin is installed.

Night Mode

Night mode automatically reduces interior light brightness when low ambient light is detected.  appears in the upper-left corner of the control panel display when night mode is turned on.

 appears when low ambient light is detected. The interior light brightness remains reduced for three minutes, even if the ambient light changes. Touch  to increase brightness.

To turn night mode on or off:

- 1 Touch .
- 2 Touch .

Sabbath

This appliance is certified by Star-K to meet strict religious regulations in conjunction with specific instructions found on www.star-k.org.

Sabbath mode automatically turns on the interior lights at a reduced brightness. The lights stay on when the door is closed. The lights cannot be turned off in Sabbath mode.

Sabbath mode automatically turns off after 74 hours. All lighting preferences return to the previous setting when Sabbath mode is turned off.

To turn on Sabbath:

- 1 Touch .
- 2 Touch and hold  for 3 seconds.

To turn off Sabbath:

- 1 Touch and hold  for up to 10 seconds.

Ice and Water Dispenser

The 40 oz (1.2 L) internal water tank must fill before water flows from the dispenser. Press and hold the water dispenser paddle for up to 60 seconds until water is dispensed.

⚠ CAUTION

Limit continuous ice and water dispenser operation to seven minutes or less.

INTERNAL DISPENSER

The internal ice and water dispenser is designed to accommodate a 16 oz (.5 L) pint glass. The removable water grille located below the dispenser collects water drops. Refer to the illustration below.

FUNCTION

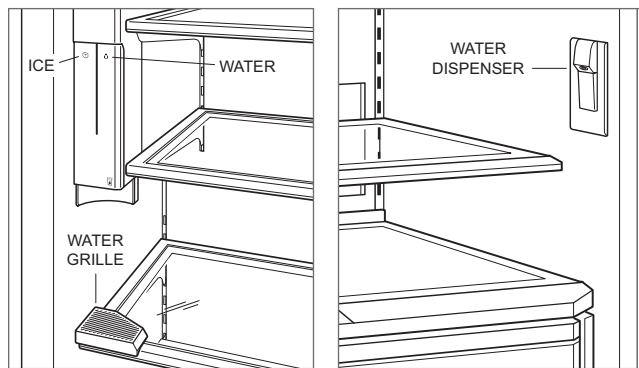


Touch and hold to dispense ice.



Touch and hold to dispense water.

For a water-only dispenser, depress the paddle with a glass to dispense water. Water flow stops when the glass is removed. Refer to the illustration below.



Internal ice and water dispenser Water dispenser

EXTERNAL DISPENSER

Ice and water are dispensed through the door.

The removable water grille located below the dispenser collects water drops. Refer to the illustration below. This is not a drain. Do not pour water into the water grille.

To dispense large quantities of ice and water, use the dispenser located inside the refrigerator. Refer to the illustration below.

FUNCTION



Turn light on or off.



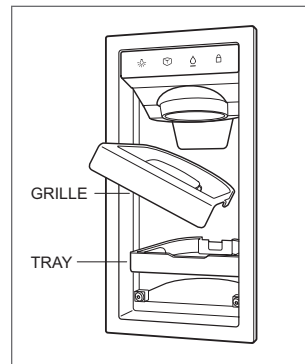
Touch to select ice, then press the paddle with a glass to dispense.



Touch to select water, then press the paddle with a glass to dispense.



Press and hold to lock and unlock the dispenser.



Removable water grille

Food Preservation

Food Preservation Tips—To reduce the risk of spoilage, minimize food handling. Store fruits and vegetables separately. Store meats in the original packaging; once opened, re-wrap tightly.

Ethylene Gas—Many fresh foods emit ethylene gas, a naturally-occurring compound that hastens food ripening and spoilage. Sub-Zero refrigerators come with an air purification system (based on technology developed by NASA) that scrubs the air of ethylene and odor every 20 minutes. To reduce spoilage, do not store ethylene-producing fruits and vegetables with those that are ethylene-sensitive.

e⁺ Indicates an ethylene-producing food.

e⁻ Indicates an ethylene-sensitive food.

Humidity—The optimal humidity varies for different foods. To keep food fresher longer, store foods in the areas designated in the following charts.

FOOD	ECODE	REFRIGERATOR	FREEZER
FRESH VEGETABLES			
Artichokes		1–2 weeks	Freezing fresh vegetables is not recommended
Asparagus		2–3 weeks	
Bean sprouts		7–9 days	
Beans (green or lima)	e ⁻	7–10 days	
Beets without tops		3–4 months	
Bok choy	e ⁻	3 weeks	
Broccoli	e ⁻	1–2 weeks	
Cabbage	e ⁻	3–6 weeks	
Carrots	e ⁻	1–5 months	
Cauliflower	e ⁻	3–4 weeks	
Celery		1–2 months	
Corn		5–8 days	
Cucumbers	e ⁻	10–14 days	
Eggplant*	e ⁻	1–2 weeks	
Fresh herbs	e ⁻	1–3 weeks	
Garlic*		6–7 months	
Ginger*		6 months	
Jicama*		1–2 months	
Kale	e ⁻	1–2 months	
Leeks		2 months	
Lettuce	e ⁻	2–3 weeks	
Mushrooms		1–2 weeks	
Onions		1–6 months	
Parsley	e ⁻	1–2 months	
Peas (sugar, snap, snow)	e ⁻	1–2 weeks	
Peppers (bell or chile)	e ⁻	2–3 weeks	
Potatoes*		5–10 months	
Radishes		1–2 months	
Shallots		6 months	
Spinach	e ⁻	10–14 days	
Squash (soft rind)	e ⁻	1–2 weeks	
Tamarillos		7–10 days	
Water chestnuts		2–4 months	

*Do not refrigerate.

Food Preservation

FOOD	ECODE	REFRIGERATOR	FREEZER
FRESH FRUITS			
Apples	e ⁺	1–2 months	Freezing fresh fruits is not recommended
Apricots	e ⁺	1–2 weeks	
Avocados [†]	e ⁺	2–4 weeks	
Bananas*	e ⁻	1–4 weeks	
Blueberries		10–18 days	
Cantaloupe	e ⁺	2–3 weeks	
Cherries		2–3 weeks	
Figs	e ⁺	7–10 days	
Grapefruit		6–8 weeks	
Grapes		2–3 weeks	
Honeydew melon	e ⁻	3–4 weeks	
Kiwifruit	e ⁻	4–6 weeks	
Lemons		1–6 months	
Limes		6–8 weeks	
Mangos [†]	e ⁺	2–3 weeks	
Nectarines	e ⁺	2–4 weeks	
Oranges		3–8 weeks	
Peaches		2–4 weeks	
Pears [†]	e ⁺	2–3 weeks	
Pineapple		2–4 weeks	
Plums	e ⁺	2–5 weeks	
Raspberries		3–6 days	
Strawberries		7–10 days	
Tomatoes*	e ⁺	1–3 weeks	
EGGS AND DELI			
Eggs (fresh)		3 weeks	Freezing eggs and deli is not recommended
Egg substitute (opened)		3 days	
Egg, tuna, or ham salad		3–5 days	
Lunch meat, thinly sliced		1–2 days	

*Do not refrigerate. [†]Ripen on the counter before refrigeration.

FOOD	ECODE	REFRIGERATOR	FREEZER
SOUP			
Stew with meat		3–4 days	2–3 months
Vegetable soup		3–4 days	2–3 months
MEATS, FISH, AND POULTRY			
Bacon		7 days	1 month
Beef steaks, roast		3–5 days	6–12 month
Bluefish, perch		2 days	2–3 month
Corned beef		5–7 days	1 month
Ham (whole)		7 days	1–2 months
Hamburger		1–2 days	3–4 months
Meat dishes (cooked)		3–4 days	2–3 months
Pork and veal chops		3–5 days	4–6 months
Poultry (cooked)		3–4 days	4–6 months
Poultry (raw)		1–2 days	9 months
Salmon, mackerel		4 days	5–9 months
Sausage (raw)		1–2 days	1–2 months
Shrimp		1 day	6 months
Smoked breakfast links, patties		7 days	1–2 months
DAIRY			
Butter		3 months	1 year
Cottage cheese		1–2 weeks	4 weeks
Cream cheese		2 weeks	Not recomm.
Process cheese		3–4 weeks	6–8 months
Whole or skim milk		1–2 weeks	Not recomm.
Yogurt		1 month	Not recomm.

Cleaning

STAINLESS STEEL EXTERIOR

Use a nonabrasive stainless steel cleaner and apply with a soft lint-free cloth. To bring out the natural luster, lightly wipe the surface with a water-dampened microfiber cloth followed by a dry polishing chamois. Always follow the grain of stainless steel.

INTERIOR CLEANING

To clean interior surfaces and all removable parts, wash with a mild solution of soap, water, and baking soda. Rinse and dry thoroughly. Avoid getting water on the lights and control panel.

▲ CAUTION

Do not use vinegar, rubbing alcohol, or other alcohol-based cleaners on any interior surface.

VACATIONS

For extended vacations, turn power off at the control panel. Empty the unit and block doors open slightly to let fresh air in and keep the interior dry. The water filter should be replaced before start-up.

Cleaning

CONDENSER

⚠ CAUTION

Before cleaning the condenser, turn power off at the control panel. Wear gloves to avoid injury from sharp condenser fins.

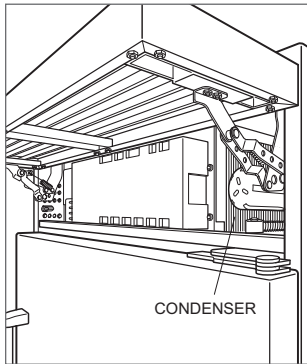
⚠ CAUTION

Failure to clean the condenser could result in temperature loss, mechanical failure, or damage.

The condenser is located behind the flip-up grille. Clean the condenser every 6–12 months.

To clean the condenser:

- 1 Turn power off at the control panel.
- 2 Pull out on the bottom edge of the grille and rotate upward. Refer to the illustration below.
- 3 Use a soft bristle brush and vacuum to remove dust and lint from the condenser. To avoid damaging condenser fins, vacuum in the direction of the fins.



Condenser location

Troubleshooting

Before contacting Sub-Zero Factory Certified Service, visit subzero-wolf.com/assistance or use these helpful tips to prevent the need for a service visit.

UNIT OPERATION

No lights or cooling.

- 1 Verify power is on.
- 2 Verify electrical power to the unit and home circuit breaker is on.

No lights in the refrigerator or freezer.

- 1 The door may have been left ajar, which has disabled lights to eliminate excess heat. If the lights are out, close the door for one hour. If the lights are still out, contact Sub-Zero Factory Certified Service.
- 2 LED interior lighting must be replaced by Sub-Zero Factory Certified Service.

No refrigerator shelf light.

- 1 Verify the shelf is properly installed in the tracks along the back wall.
- 2 Verify nothing (a tall container or food) is preventing the shelf from engaging the tracks along the back wall.

Frost, condensation, or ice buildup inside the unit.

- 1 Verify the condenser is clean.
- 2 Verify the door is closing properly.
- 3 Verify the door has not been left ajar.
- 4 Verify the door gasket does not have rips or tears. If it does, contact Sub-Zero Factory Certified Service.
- 5 If icing is heavy, turn the unit off and use a hair dryer to melt the ice. The hair dryer should be set on low and kept moving at all times. Once the ice has melted, wipe up any water with a cloth or paper towel.

High temperatures, the unit runs excessively, or the unit is giving off too much heat.

- 1 Verify the condenser is clean.
- 2 Verify the door is closing properly.
- 3 Verify the door has not been left ajar.
- 4 Increased ambient temperatures may cause the compressors to run longer.
- 5 If the temperature display shows 38° and 0°, but is not cooling, the unit may be in Showroom Mode. Contact Sub-Zero Customer Care at 800-222-7820.

No water from the dispenser.

- 1 Wait one hour, then try the dispenser again. Contact Sub-Zero Customer Care at 800-222-7820 if unresolved.

Troubleshooting

ICE PRODUCTION

No ice.

- 1 Verify the ice cube indicator appears on the control panel display.
- 2 Verify the ice maker has been on for at least 24 hours.
- 3 Verify the freezer temperature is near 0°F.
- 4 Verify the ice bin is properly installed.
- 5 Verify the ice maker arm is in the down position.
- 6 Verify water is being supplied to the unit.
- 7 Verify the water filter has been replaced within the last 12 months and installed properly.
- 8 Verify the water filter has been removed if a reverse osmosis filtration system is being used.

Blue or green ice.

- 1 Possible copper supply line corrosion. Contact a plumber to clean or replace.

Black flecks in the cubes.

- 1 Stop use and contact Sub-Zero Factory Certified Service.

Bad taste.

- 1 Defrost the freezer and clean with soap and water.
- 2 Place coffee grounds or charcoal briquettes in the freezer to absorb odor.

Hollow cubes.

- 1 Clean the condenser. Contact Sub-Zero Factory Certified Service if unresolved.

ODOR

- 1 Clean the unit before using for the first time. This will clear any odors that may have been trapped during shipping.
- 2 Replace the air purification cartridge.
- 3 Clean the unit and shelving thoroughly.
- 4 Cover uncovered food.

Service

- Maintain the quality built into your product by contacting Sub-Zero Factory Certified Service. For the name of the nearest Sub-Zero Factory Certified Service, check the Product Support section of our website, subzero.com/assistance or call Sub-Zero Customer Care at 800-222-7820.
- When contacting service, you will need the model and serial number of your unit. Both numbers are listed on the product rating plate. Refer to pages 6–7 for rating plate location.
- For warranty purposes, you will also need the date of installation and name of your authorized Sub-Zero dealer. This information should be recorded on page 3 of this guide.

Sub-Zero Residential Limited Warranty

FOR RESIDENTIAL USE

FULL TWO YEAR WARRANTY*

For two years from the date of original installation, this Sub-Zero product warranty covers all parts and labor to repair or replace, under normal residential use, any part of the product that proves to be defective in materials or workmanship. All service provided by Sub-Zero under the above warranty must be performed by Sub-Zero Factory Certified Service, unless otherwise specified by Sub-Zero, Inc. Service will be provided during normal business hours.

FULL FIVE YEAR SEALED SYSTEM WARRANTY

For five years from the date of original installation, this Sub-Zero product warranty covers all parts and labor to repair or replace, under normal residential use, these parts that prove to be defective in materials or workmanship: compressor, condenser, evaporator, drier and all connecting tubing. All service provided by Sub-Zero under the above warranty must be performed by Sub-Zero Factory Certified Service, unless otherwise specified by Sub-Zero, Inc. Service will be provided during normal business hours.

LIMITED TWELVE YEAR SEALED SYSTEM WARRANTY

For twelve years from the date of original installation, Sub-Zero will repair or replace the following parts that prove to be defective in materials or workmanship: compressor, condenser, evaporator, drier and all connecting tubing. If the owner uses Sub-Zero Factory Certified Service, the service provider will repair or replace these parts with the owner paying for all other costs, including labor. If the owner uses non-certified service, the owner must contact Sub-Zero, Inc. (using the information below) to receive repaired or replacement parts. Sub-Zero will not reimburse the owner for parts purchased from non-certified service or other sources.

TERMS APPLICABLE TO EACH WARRANTY

The warranty applies only to products installed for normal residential use. The warranty applies only to products installed in any one of the fifty states of the United States, the District of Columbia or the ten provinces of Canada. This warranty does not cover any parts or labor to correct any defect caused by negligence, accident or improper use, maintenance, installation, service or repair.

THE REMEDIES DESCRIBED ABOVE FOR EACH WARRANTY ARE THE ONLY ONES THAT SUB-ZERO, INC. WILL PROVIDE, EITHER UNDER THIS WARRANTY OR UNDER ANY WARRANTY ARISING BY OPERATION OF LAW. SUB-ZERO, INC. WILL NOT BE RESPONSIBLE FOR ANY CONSEQUENTIAL OR INCIDENTAL DAMAGES ARISING FROM THE BREACH OF THIS WARRANTY OR ANY OTHER WARRANTY, WHETHER EXPRESS, IMPLIED OR STATUTORY.

Some states do not allow the exclusion or limitation of incidental or consequential damages, so the above limitation or exclusion may not apply to you. This warranty gives you specific legal rights and you may also have other legal rights that vary from state to state.

To receive parts and/or service and the name of Sub-Zero Factory Certified Service nearest you, contact Sub-Zero, Inc., P.O. Box 44848, Madison, WI 53744; check the Product Support section of our website, subzero.com, email us at customerservice@subzero.com, or call 800-222-7820.

*Stainless steel (doors, panels, handles, product frames and interior surfaces) are covered by a limited 60-day parts and labor warranty for cosmetic defects.

*Replacement water filters and air purification cartridges are not covered by the product warranty.



Contenido

- 3** Refrigeración de la serie Clásica
- 4** Precauciones de seguridad
- 6** Características de la serie Clásica
- 8** Controles táctiles
- 10** Almacenamiento
- 14** Funcionamiento del producto
- 20** Conservación de alimentos
- 22** Recomendaciones para el cuidado
- 24** Solución de problemas
- 27** Garantía de Sub-Zero

Atención al cliente

El modelo y número de serie están impresos en la tarjeta de registro del producto adjunta. Ambos números también aparecen en la placa de datos del producto. Consulte las páginas 6 a 7 para encontrar la placa de datos. Para fines de la garantía, también necesitará la fecha de instalación y el nombre de su distribuidor autorizado de Sub-Zero. Guarde la siguiente información para consultas posteriores.

Si su producto alguna vez necesita servicio, use un proveedor de servicio certificado de fábrica de Sub-Zero y recomendado por nuestro centro de atención al cliente, o seleccione uno de nuestra lista de proveedores disponibles en subzero.com/locator. Nosotros cuidadosamente seleccionamos y rigurosamente capacitamos a todos los proveedores de servicios certificados. Para respuestas e información no disponibles en esta guía, visite subzero-wolf.com/assistance.

INFORMACIÓN DE SERVICIO

Número de modelo

Número de serie

Fecha de la instalación

Nombre de servicio certificado

Número de servicio certificado

Distribuidor autorizado

Número de distribuidor

Aviso importante

Para garantizar que este producto se instale y opere de la forma más segura y eficiente posible, tome nota de los siguientes tipos de información resaltada en este manual:

AVISO IMPORTANTE señala la información que es especialmente importante.

⚠ PRECAUCIÓN

Indica una situación en la que se pueden sufrir heridas leves o provocar daños al producto si no se siguen las instrucciones.

⚠ ADVERTENCIA

Indica peligro de que se produzcan heridas graves o incluso la muerte si no se siguen las precauciones.

AVISO IMPORTANTE: En toda esta guía, las dimensiones entre paréntesis son milímetros, a menos que se especifique lo contrario.

INSTRUCCIONES IMPORTANTES

▲ ADVERTENCIA

No almacene sustancias explosivas, tales como latas de aerosol con un propulsor inflamable en este electrodoméstico.

▲ ADVERTENCIA

Mantenga las aberturas de ventilación despejadas, en el revestimiento del electrodoméstico o en la estructura empotrada, sin obstrucciones.

▲ ADVERTENCIA

No utilice dispositivos mecánicos u otros medios para acelerar el proceso de descongelación, salvo los recomendados por el fabricante.


▲ ADVERTENCIA

No exponga el electrodoméstico a la lluvia.

▲ ADVERTENCIA

Este electrodoméstico es exclusivamente para uso residencial.

▲ ADVERTENCIA

- Este aparato contiene refrigerante inflamable y debe ser manipulado, instalado, reparado y retirado del servicio por personal autorizado. Una vez desmantelado, consulte a las autoridades locales para obtener instrucciones de deshecho.
- Para minimizar el riesgo de ignición debido a una instalación, piezas de repuesto o procedimientos de servicio inadecuados, sólo se permite trabajar en este equipo a los técnicos en refrigeración con formación en refrigerantes inflamables que sean conscientes de los peligros de tratar con electricidad de alto voltaje y refrigerante bajo presión.
- No dañe el circuito de refrigeración al instalar, mantener o reparar la unidad.
-  Este símbolo indica riesgo de incendio/material ignífugo.

▲ PRECAUCIÓN

Los fabricantes de hielo incorporados deben ser instalados por el fabricante o su agente de servicio.

▲ ADVERTENCIA

No utilice aparatos eléctricos dentro de los compartimentos de almacenamiento de alimentos del electrodoméstico, a menos que sean del tipo recomendado por el fabricante.

INSTRUCCIONES IMPORTANTES

▲ ADVERTENCIA

Este electrodoméstico no está indicado para que lo usen personas (incluso niños) con capacidades físicas, sensoriales o mentales reducidas o que carezcan de experiencia o conocimiento, a menos que una persona responsable de su seguridad los supervise o le haya dado instrucciones sobre el uso del electrodoméstico. Se debe supervisar a los niños para asegurarse de que no jueguen con el electrodoméstico.

▲ ADVERTENCIA

PELIGRO: Riesgo de atrapamiento de un niño. Antes de que se deshaga de su refrigerador o congelador viejo:

- Retire las puertas.
- Deje los estantes y divisores de cajones en su lugar para que los niños no se metan dentro fácilmente.

▲ ADVERTENCIA

PROPOSICIÓN 65 PARA LOS RESIDENTES DE CALIFORNIA

Cáncer y daño reproductivo:
www.P65Warnings.ca.gov

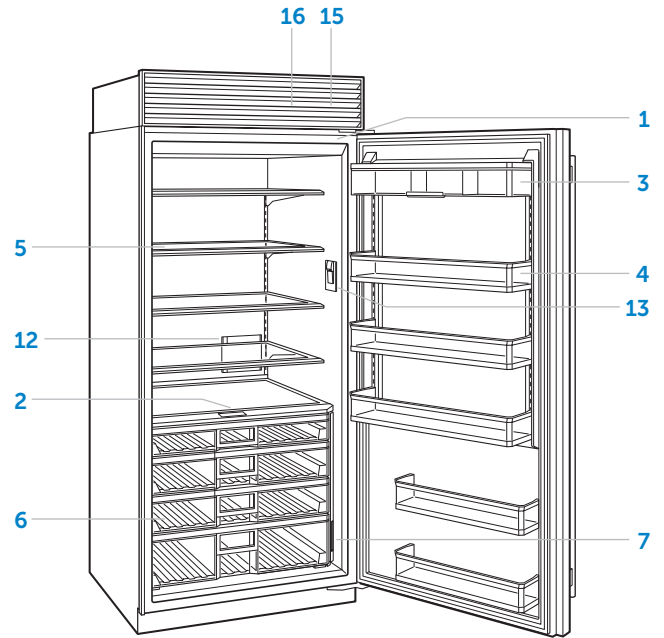
Este aparato está diseñado para usarse en aplicaciones domésticas y similares como:

- zonas de cocina de personal en tiendas, oficinas y otros entornos laborales;
- granjas y clientes de hoteles, moteles y otros entornos residenciales;
- hostales y entornos similares;
- restauración y aplicaciones no dirigidas a minoristas similares.

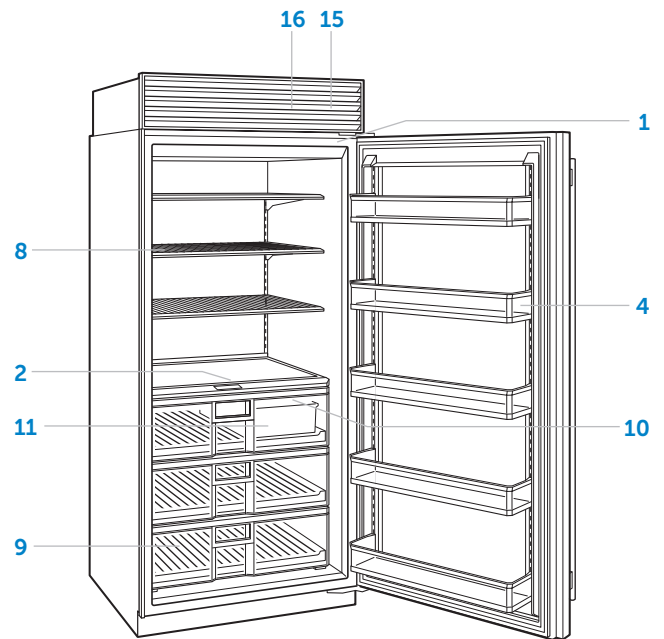
Características de la Serie Clásica

CARACTERÍSTICAS

1	Placa de datos del producto
2	Panel de control táctil
3	Compartimiento de lácteos rebatible
4	Estantes ajustables de la puerta
5	Estantes del refrigerador
6	Cajones de almacenamiento del refrigerador
7	Tarjetas de frescura
8	Estantes del congelador
9	Cajones de almacenamiento del congelador
10	Ice Maker (Fabricador de hielo)
11	Recipiente desmontable para el hielo con manija
12	Sistema de purificación de aire
13	Dispensador interno de agua
14	Dispensador externo de hielo y agua
15	Sistema de filtrado de agua (detrás de la rejilla)
16	Condensador (detrás de la rejilla)

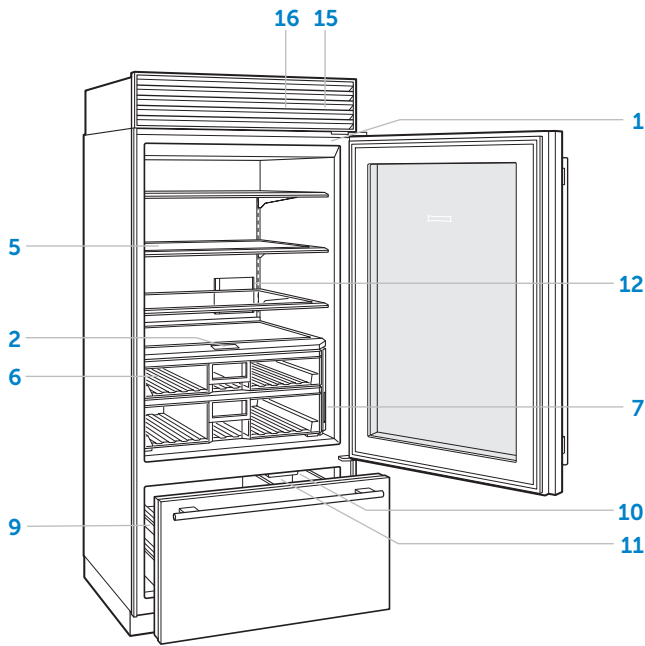


Modelo todo refrigerador

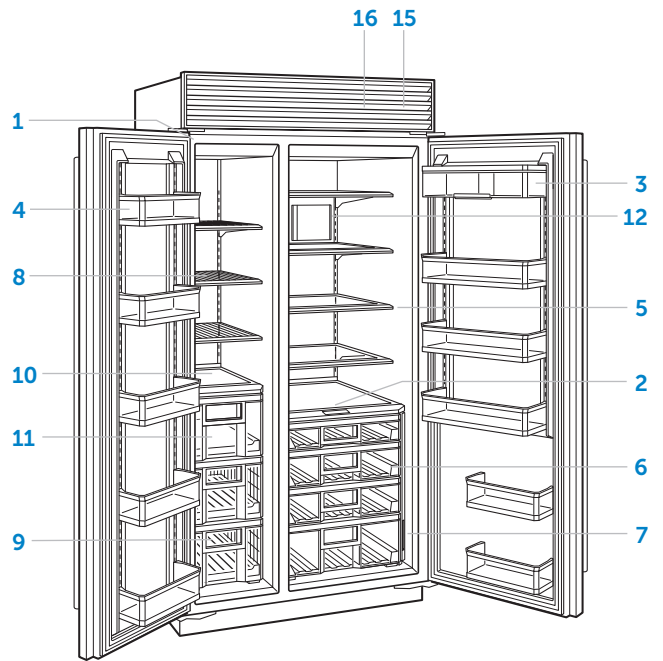


Modelo todo congelador

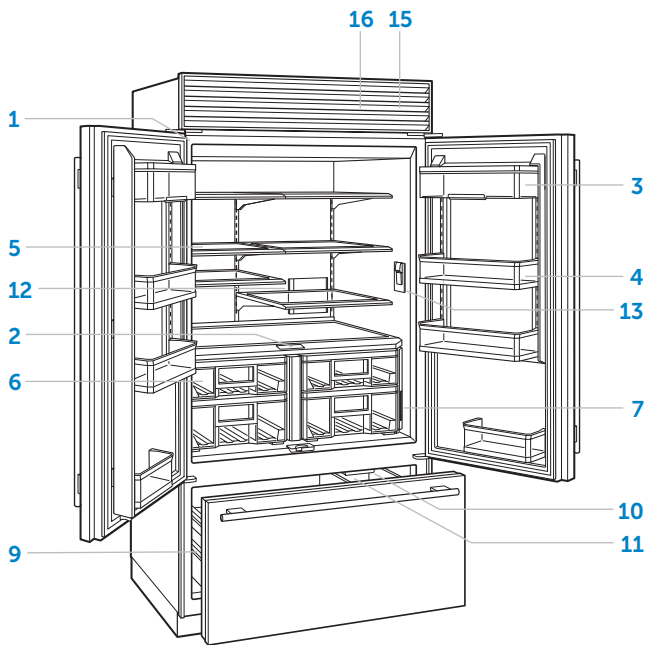
Características de la serie Clásica



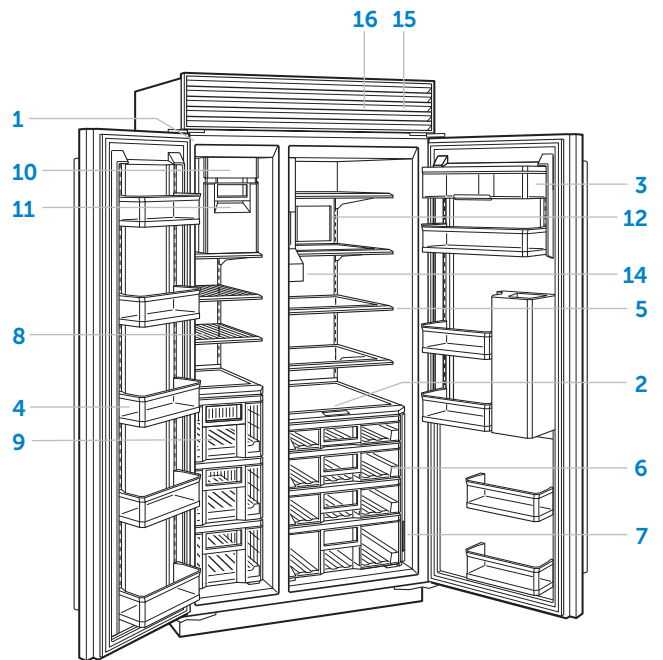
Modelo arriba y abajo (se muestra el modelo con puerta de vidrio)



Modelo lado a lado




Modelo con puertas de estilo francés



Modelo lado a lado con dispensador interno


Panel de control táctil

Para la puesta en marcha inicial, toque y mantenga presionado el botón  en el panel de control durante 2 segundos.

Las temperaturas recomendadas están configuradas a 0°F (-18°C) para el congelador, y 38°F (3°C) para el refrigerador. Las temperaturas pueden ajustarse en incrementos de un grado. El modelo combinado tiene dos zonas de temperatura.

Para ajustar la temperatura:

- 1 Pulse la temperatura para ajustarla.
- 2 Pulse + o – hasta que muestre la temperatura deseada. Consulte la siguiente ilustración.

Para configurar otros parámetros, presione  en la pantalla del panel de control. Consulte la siguiente ilustración.












Pantalla de inicio de zona doble



Pantalla de inicio de zona sencilla

CONFIGURACIÓN

	Ajusta la temperatura y la humedad del cajón del refrigerador
	Enciende y apaga la función de ice maker (fabricador de hielo) y max ice (hielo máx.)
	Enciende y apaga el purificador de aire
	Ajusta la suavidad en la iluminación y las luces de acento (si corresponde)
	Enciende o apaga el modo de noche
	Enciende o apaga el dispensador interno (si corresponde)
	Enciende o apaga la alarma de la puerta y ajusta la duración
	Ajusta el volumen y el tono de la alarma de la puerta
	Enciende o apaga el recordatorio del filtro de agua
	Activa la conexión y desconexión (si corresponde)
	Enciende o apaga la unidad
	Activa o desactiva el modo Sabbath
	Ajusta las unidades de temperatura
	Selecciona el idioma
	Información del sistema
	Vea cómo solucionar problemas y la información del servicio técnico

Cómo conectar este electrodoméstico

Conecte este electrodoméstico para monitorearlo y controlarlo remotamente. Para conectarlo se requiere un enrutador inalámbrico, una conexión a Internet con un nombre de la red y una contraseña, y un dispositivo móvil compatible. No hay límite para el número de electrodomésticos que usted puede conectar a una cuenta. Conecte los productos de múltiples hogares a la misma cuenta. Conectar los electrodomésticos es opcional.

Conéctese hoy mismo para:

- Recibir alertas, actualizaciones de estado y notificaciones de mantenimiento rutinario.
- Disponga las tareas diarias con la ayuda de controles remotos y comandos de voz.
- Acceda fácilmente a manuales de usuario y consejos sobre limpieza y mantenimiento.

Para conectar:

- 1 Descargue la aplicación gratuita Sub-Zero Group Owner de Apple App Store o Google Play.
- 2 Active la función de Bluetooth en el dispositivo, ubíquese a poca distancia del electrodoméstico, abra la aplicación y siga las instrucciones de la pantalla.
- 3 Inicie sesión o cree una cuenta.
- 4 Pulse Add An Appliance (Agregar un electrodoméstico) o pulse + en la parte superior derecha de la pantalla para agregar electrodomésticos. Para identificar cuál electrodoméstico emparejar, abra la puerta del electrodoméstico,
- 5 Pulse + al lado del electrodoméstico para seleccionarlo. Si aparecen electrodomésticos idénticos, siga el paso adicional en pantalla para identificar cuál electrodoméstico emparejar.
- 6 Pulse Pair Via Bluetooth® (emparejar por medio de Bluetooth). Espere hasta que se complete la configuración, y luego pulse Set Up Your Appliance For Pairing (Configurar su electrodoméstico para emparejamiento).
- 7 Pulse Choose a Network (Elegir una red) en la pantalla Connect Your Appliance to Wi-Fi (Conectar su electrodoméstico a Wi-Fi).
- 8 Seleccione la red de Wi-Fi de la casa e introduzca la contraseña de la red.
- 9 Pulse Turn on Notifications (Activar notificaciones) para permitir las notificaciones sobre el electrodoméstico (por ejemplo, door left ajar (puerta parcialmente abierta)).
- 10 Pulse Done (Listo) en la pantalla Success (Éxito) para completar la configuración.

Dual Refrigeration®

Esta unidad Sub-Zero incorpora un exclusivo sistema de refrigeración doble (Dual Refrigeration®) para mantener los alimentos frescos durante más tiempo.

Con el sistema de refrigeración doble de Sub-Zero, los sistemas individuales del refrigerador y el congelador han sido diseñados para mantener una temperatura precisa y constante, así como niveles de humedad adecuados para que los alimentos se conserven durante más tiempo. La refrigeración doble Dual Refrigeration® elimina la transferencia de olores de los alimentos frescos a los congelados o al hielo y no congela la humedad presente en el aire en la sección de alimentos frescos.

Almacenamiento en el refrigerador

ESTANTES AJUSTABLES DE LA PUERTA

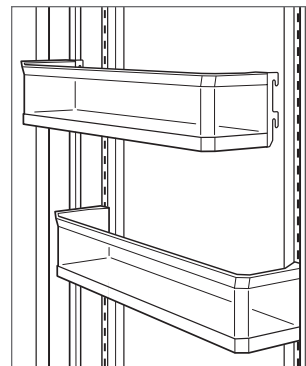
Para cambiar de posición un estante de puerta o un compartimiento para lácteos:

- 1 Para quitar, alce el estante desde la parte inferior y deslice sacándolo. Consulte la siguiente ilustración.
- 2 Para instalarlo, colóquelo en la posición deseada y deslice el estante en las guías.

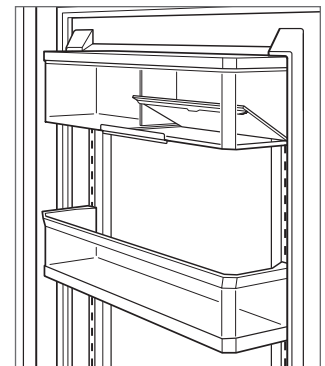
AVISO IMPORTANTE: Si la apertura de la puerta está limitada a 90°, puede ser necesario extraer los estantes antes de extraer un cajón o estante de cristal.

COMPARTIMIENTO DE LÁCTEOS REBATIBLE

La parte inferior del compartimiento de lácteos gira hacia arriba para poder acomodar artículos más altos debajo. Para modelos sin divisores verticales en el compartimiento, toda la parte inferior gira hacia arriba. Para modelos con un divisor vertical, una sección gira hacia arriba. Consulte la siguiente ilustración.



Extracción de los estantes de la puerta



Compartimiento de lácteos rebatible

Almacenamiento en el refrigerador

ESTANTES DE CRISTAL

Para cambiar de posición un estante de vidrio:

- 1 Para extraer, incline el estante hacia arriba, luego alce y sáquelo. Consulte la siguiente ilustración.
- 2 Para instalarlo, inserte el estante en las guías que corren a lo largo de la pared posterior, luego baje la parte delantera hasta que encaje en su posición.

AVISO IMPORTANTE: Tenga cuidado al manipular los estantes de vidrio para evitar que se rompan o que rayen el interior.

⚠ PRECAUCIÓN

Debe dejar que los estantes de vidrio alcancen la temperatura ambiente antes de sumergirlos en agua tibia.

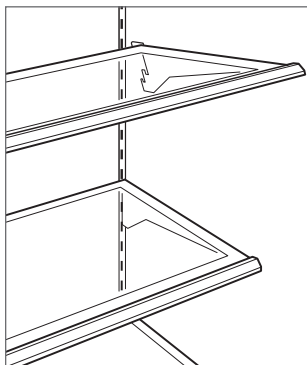
CAJONES DE ALMACENAMIENTO DEL REFRIGERADOR

Para extraer e instalar un cajón del refrigerador:

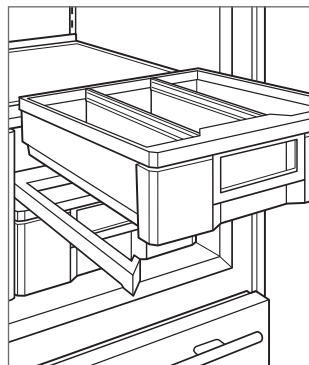
- 1 Para extraerlo, jale el cajón para abrirlo hasta que se detenga.
- 2 Levante ligeramente el cajón por la parte delantera y jale para sacarlo. Consulte la siguiente ilustración.
- 3 Para instalar el cajón, saque el soporte del cajón y alinee la parte inferior del cajón con el soporte.
- 4 Deslice el cajón a su posición inicial.

Para cambiar la posición de un divisor del cajón del refrigerador:

- 1 Para extraerlo, jale del divisor directamente hacia arriba.
- 2 Para volver a colocarlo, alinee las pestañas del divisor con las muescas en el cajón y presiónelo hacia abajo.



Extracción de los estantes de vidrio



Extracción de los cajones del refrigerador

Almacenamiento del congelador

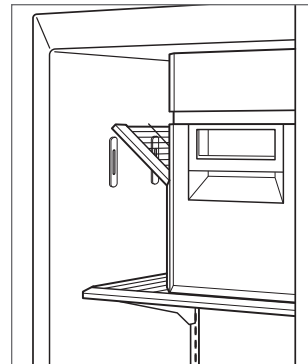
ESTANTES DE ALAMBRE

Para cambiar de posición un estante de alambre:

- 1 Para extraer, incline el estante hacia arriba, luego alce y sáquelo.
- 2 Para instalarlo, inserte el estante en las guías que corren a lo largo de la pared posterior, luego baje la parte delantera hasta que encaje en su posición.

ESTANTE DE CONGELADOR PLEGABLE

En modelos con dispensador de hielo, el estante plegable gira hacia arriba y hacia abajo para acomodar artículos grandes o pequeños.



Estante de congelador plegable

Almacenamiento del congelador

CAJONES DEL CONGELADOR

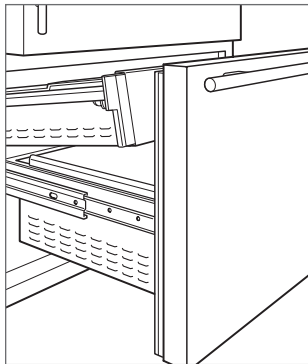
Para extraer las cestas del congelador (modelos arriba y abajo):

- 1 Jale el cajón para abrirlo hasta que se detenga.
- 2 Alce las cestas superior e inferior hacia arriba y hacia afuera. Consulte la siguiente ilustración.

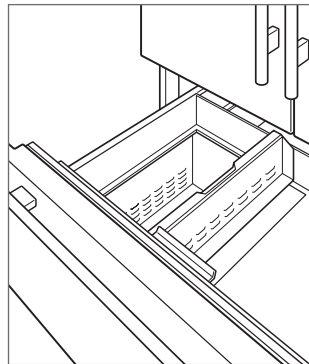
Para instalar las cestas del congelador (modelos arriba y abajo):

- 1 Inserte la cesta inferior en los cuatro retenedores de las esquinas.
- 2 Coloque la cesta superior en las guías laterales y deslícela hasta que haga clic.

Cesta de congelador expansible—para los modelos arriba y abajo (excepto el modelo de 30"), el lado izquierdo de la cesta superior del congelador es ajustable para permitir el almacenamiento de artículos altos en la cesta inferior. Deslice hacia la derecha o la izquierda para ajustar. Consulte la siguiente ilustración.



Extracción de la cesta del congelador



Cesta de congelador expansible

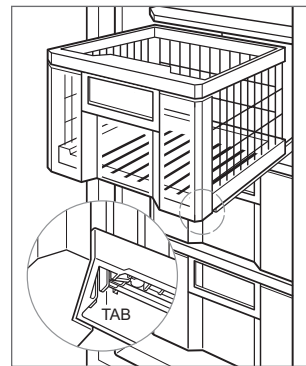
Para extraer un cajón del congelador (modelos todo congelador y lado a lado):

- 1 Jale el cajón para abrirlo hasta que se detenga.
- 2 Jale las dos pestañas de plástico que se encuentran detrás de las dos esquinas inferiores del cajón hacia delante, luego levántelas hacia arriba y hacia afuera. Consulte la siguiente ilustración.

Si la apertura de la puerta está limitada a 90°, debe quitar el cajón superior antes de extraer los cajones intermedio o inferior.

Para instalar un cajón del congelador (modelos todo congelador y lado a lado):

- 1 Empuje las carretillas de cajón hacia dentro.
- 2 Alinee el cajón con las carretillas y presione hacia atrás hasta que se detenga.
- 3 Presione hacia abajo en la parte delantera del cajón para enganchar las carretillas.



Extracción de los cajones del congelador

Almacenamiento del congelador

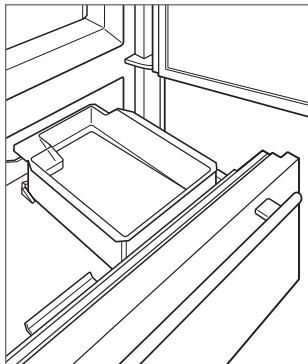
RECIPIENTE PARA EL HIELO

Para extraer el recipiente para el hielo (modelos arriba y abajo):

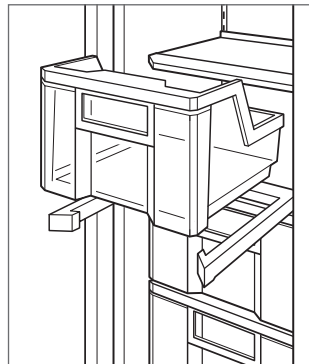
- 1 Jale el cajón del congelador para abrirlo hasta que se detenga.
- 2 Levante el recipiente para el hielo y extráigalo. Consulte la siguiente ilustración.

Para extraer el recipiente para el hielo (modelos lado a lado):

- 1 Jale el recipiente para el hielo para abrirlo hasta que se detenga.
- 2 Levante el recipiente para el hielo directamente hacia arriba. Consulte la siguiente ilustración.
- 3 Para instalar, saque el soporte y alinee la parte inferior del recipiente para el hielo con el soporte.
- 4 Deslice el recipiente para el hielo a su posición inicial.



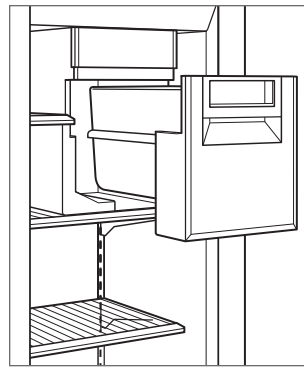
Modelos arriba y abajo



Modelos lado a lado

Para extraer el recipiente para el hielo (modelos de dispensador lado a lado):

- 1 Jale el recipiente para el hielo para abrirlo hasta que se detenga.
- 2 Levante para despejar el conjunto del soporte a lo largo de la parte posterior, y luego, jale hacia delante y hacia fuera. Consulte la siguiente ilustración.



Modelos de dispensador
lado a lado

Temperatura



CONTROL DE TEMPERATURA

Para optimizar la conservación de alimentos, la temperatura de los cajones del refrigerador es ajustable de manera automática y manual. Todos los cajones están dispuestos a la misma temperatura y no pueden ajustarse individualmente.

Modo Auto—ajusta automáticamente la temperatura de los cajones del refrigerador 2° por debajo de la temperatura establecida del refrigerador, pero no puede ser inferior a 34°F (1°C).

Modo Manual—ajusta manualmente los cajones del refrigerador hasta 2° por encima o por debajo del punto de ajuste del refrigerador, pero no puede ser inferior a 34°F (1°C) o superior a 42°F (6°C).

Para ajustar la temperatura:




- 1 Presione .
- 2 Presione .
- 3 Presione "A" o "M" para alternar entre uno y otro modo.
- 4 Presione + o – para ajustar la temperatura manualmente.

Humedad

CONTROL DE LA HUMEDAD

Algunos alimentos, particularmente las verduras, requieren niveles mejorados de humedad para maximizar su frescura. El nivel de humedad de los cajones del refrigerador es ajustable. Seleccione "Enhanced" (Mejorado) para asegurar que las frutas y verduras duren el máximo tiempo posible. Todos los cajones están dispuestos al mismo nivel y no pueden ajustarse individualmente.

Para ajustar la humedad:

- 1 Presione .
- 2 Presione .
- 3 Presione  para alternar entre configuraciones.

Sistema de purificación de aire

Muchos alimentos frescos emiten gas etileno, un compuesto que se da naturalmente y que acelera la maduración de los alimentos y su deterioro. Si su unidad está equipada con un sistema de purificación de aire, el cartucho viene instalado de fábrica y está situado en la pared posterior del refrigerador.

Para iniciar la purificación del aire, presione  en la pantalla de opciones.

⚠ PRECAUCIÓN

El sistema de purificación de aire cumple con los requisitos federales aplicables en relación con la exposición incidental a la luz ultravioleta. La lámpara contiene mercurio. A la hora de deshacerse de ella, acate las leyes vigentes al respecto. Visite earth911.com o llame al 800-222-7820.

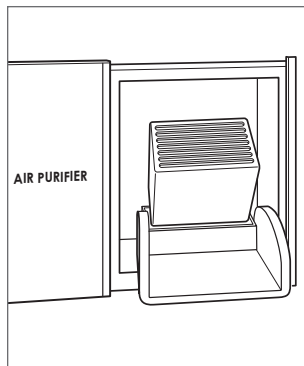
CARTUCHO DE PURIFICACIÓN DE AIRE

El cartucho de purificación de aire dura aproximadamente un año. El mensaje "Snooze/Refresh" (Posponer/Refrescar) aparecerá en el panel de control cuando sea necesario reemplazar el cartucho. Pulse "Snooze" (Posponer) para retrasar el recordatorio durante 24 horas o hasta que el cartucho se pueda sustituir.

El reemplazo de los cartuchos de purificación de aire Sub-Zero se puede solicitar por Internet en subzero.com/store. Si tiene alguna pregunta, comuníquese con la línea de atención al cliente de Sub-Zero al 800-222-7820.

Para cambiar el cartucho de purificación de aire:

- 1 Para acceder al cartucho de purificación de aire, deslice la puerta hacia la izquierda.
- 2 Sujete la cubierta de color negro desde arriba y gire hacia abajo. El cartucho saldrá de su posición y podrá extraerlo. Consulte la siguiente ilustración.
- 3 Extraiga el cartucho nuevo de su empaque e inserte el cartucho en su sitio con el conector hacia abajo.
- 4 Cierre la cubierta de color negro y deslice la puerta hacia la derecha.
- 5 Siga las instrucciones del panel de control. El ciclo de vida del cartucho se reiniciará durante aproximadamente un año.



Cartucho de purificación de aire

Sistema de filtrado de agua

El sistema de filtrado de agua suministra agua filtrada al fabricante de hielo y al dispensador de agua (modelos con dispensador) para producir agua y hielo de excelente sabor.

AVISO IMPORTANTE: Al utilizar el sistema de filtrado de agua por primera vez y después de cambiar el filtro, es necesario eliminar todo el aire del sistema y permitir que el filtro ayude a limpiar las líneas de agua. Para los modelos sin dispensador, deseche los dos primeros recipientes de hielo. Para los modelos con dispensador, deseche varios vasos de agua durante un período de dos minutos.

Si no va a utilizar el sistema de filtrado, puede colocarlo en el modo de desviación del filtro de agua al quitar el filtro.

El mensaje "Snooze/Refresh" (Posponer/Refrescar) aparecerá en el panel de control cuando sea necesario reemplazar el filtro. Pulse "Snooze" (Posponer) para retrasar el recordatorio durante 24 horas o hasta que el filtro se pueda sustituir.

Los filtros de agua de repuesto de Sub-Zero se pueden solicitar en Internet en subzero.com/store. Si tiene alguna pregunta, comuníquese con la línea de atención al cliente de Sub-Zero al 800-222-7820.

Para cambiar el filtro de agua:

- 1 Para acceder al filtro de agua, jale el borde inferior de la rejilla hacia fuera y gire hacia arriba. Consulte la siguiente ilustración.
- 2 Para retirar el filtro viejo, gírelo un cuarto de vuelta en sentido opuesto de las manecillas del reloj y sáquelo jalando. Es normal que gotee una pequeña cantidad de agua al extraer el filtro.
- 3 Saque el filtro nuevo del empaque y quite la tapa plástica.
- 4 Inserte el nuevo filtro en el múltiple y gire en sentido de las manecillas del reloj.
- 5 Siga las instrucciones del panel de control. El ciclo de vida del filtro se reiniciará durante aproximadamente un año.



Extracción del filtro de agua.

Datos del sistema de filtrado de agua Sub-Zero

AVISO IMPORTANTE: Lea atentamente esta Hoja de datos de rendimiento y compare las capacidades de esta unidad con sus necesidades de tratamiento de agua reales. Se recomienda que, antes de comprar una unidad de tratamiento de agua, pruebe su suministro de agua para determinar las necesidades de tratamiento de agua reales.



Sistema probado y certificado por NSF International según los estándares 42 y 53 de NSF / ANSI para la reducción de sustancias enumeradas a continuación.

La concentración de las sustancias indicadas en el agua de entrada al sistema fue reducida hasta una concentración menor que o igual al límite permisible para el agua que sale del sistema, según lo especificado en las Normas 42/53 de NSF/ANSI.

Reducción de contaminantes*	Concentración promedio de afluentes	Concentración de riesgos especificada por NFS	Reducción de % promedio	Concentración de agua del producto		Requisitos de reducción de NSF	Informe de prueba de NSF
				Media	Máxima permitida		
Cloro, sabor y olor	2.0 mg/L	2.0 mg/L \pm 10%	97.5%	0.05 mg/L	N/A	\geq 50%	J-00056501
Partículas normales Clase I, de \geq 0.5 a $<$ 1.0 μ m	13,666,667 pts/ml	Por lo menos 10,000 partículas/ml	98.9%	143,333 pts/ml	N/A	\geq 85%	J-00056506
Asbesto	96 MF/L	10 ⁷ to 10 ⁸ fibras/L ¹	$>$ 99%	$<$ 1 MF/L	N/A	\geq 99%	J-00056511
Atrazina	0.010 mg/L	0.009 mg/L \pm 10%	89.3%	0.001 mg/L	0.003 mg/L	N/A	J-00056512
Benceno	0.014 mg/L	0.015 mg/L \pm 10%	96.3%	0.005 mg/L	0.005 mg/L	N/A	J-00056535
Carbofurano	0.08 mg/L	0.08 mg/L \pm 10%	86.6%	0.01 mg/L	0.04 mg/L	N/A	J-00056537
Quiste**	122,500 quistes/L	Mínimo 50,000 quistes/L	99.99%	1 quiste/L	N/A	\geq 99.99%	J-00056513
Plomo a pH 6.5	0.153 mg/L	0.15 mg/L \pm 10%	99.3%	0.001 mg/L	0.010 mg/L	N/A	J-00056515
Plomo a pH 8.5	0.150 mg/L	0.15 mg/L \pm 10%	99.3%	0.001 mg/L	0.010 mg/L	N/A	J-00058784
Lindano	0.002 mg/L	0.002 mg/L \pm 10%	97.8%	0.00004 mg/L	0.0002 mg/L	N/A	J-00058969
Mercurio a pH 6.5	0.006 mg/L	0.006 mg/L \pm 10%	95%	0.0003 mg/L	0.002 mg/L	N/A	J-00058785
Mercurio a pH 8.5	0.006 mg/L	0.006 mg/L \pm 10%	88%	0.0007 mg/L	0.002 mg/L	N/A	J-00058783
Toxafeno	0.015 mg/L	0.015 mg/L \pm 10%	93.2%	0.001 mg/L	0.003 mg/L	N/A	J-00056531
Turbiedad	10.8 NTU	11 \pm 1 NTU	98.7%	0.153 NTU	0.5 NTU	N/A	J-00058972
P-Diclorobenceno	0.215 mg/L	0.225 mg/L \pm 10%	99.7%	0.0005 mg/L	0.075 mg/L	N/A	J-00056538

*Reducción de contaminantes determinada por pruebas de NFS. **Basado en el uso de oocistos de *Cryptosporidium Parvum*. ¹Fibras mayores a 10 μ m en longitud.

PAUTAS DE APLICACIÓN Y PARÁMETROS DEL SUMINISTRO DE AGUA

Capacidad: certificado hasta para 750 galones (2,839 L); hasta doce meses.

Flujo de servicio: 0.78 gpm (2.95 Lpm)

Suministro de agua: agua potable

Presión del agua: De 35 a 120 psi (de 2.8 a 8.2 bares)

Temperatura del agua: De 40°F a 100°F (de 5°C a 40°C)




NOTAS ESPECIALES

- Puede ordenar los filtros de agua de Sub-Zero en línea en subzero.com/store, o llame a la línea de atención al cliente al 800-222-7820.
- Se recomienda cambiar el cartucho del filtro cuando aparezca el indicador, si detecta una caída de presión, los cubos de hielo son huecos o cada 12 meses, lo que ocurra primero. Puede encontrar el precio para el filtro de repuesto en subzero.com/store.
- Para que el producto se desempeñe según lo previsto, este filtro se debe instalar, operar y mantener como se establece.
- Tenga en cuenta que, aunque se realizaron pruebas bajo condiciones normales de laboratorio, el rendimiento real puede variar. Los contaminantes u otras sustancias eliminadas o reducidas por este sistema de filtrado de agua no necesariamente se encuentran en su agua.

Fabricado por: Sub-Zero, Inc., P.O. Box 44848, Madison, WI 53744, 800-222-7820

Fabricador de hielo

Para operar el fabricante de hielo:

- 1 Para iniciar el fabricante de hielo, presione  en la pantalla de opciones. Un solo cubo resaltado indica que el fabricante de hielo está activado.  indican que la característica max ice está activada.
- 2 Para desactivar el fabricante de hielo, presione  hasta que no haya ningún cubo resaltado.


Tras la puesta en marcha inicial, deseche las primeras tandas de hielo. El hielo puede contener impurezas de la nueva conexión de conductos.



Max ice (Hielo máx.) aumenta la producción de hielo hasta un 30% por un periodo de 24 horas. Durante ese periodo, algunos componentes pueden funcionar a una velocidad más alta que resulta en un tono audible único. Esto es normal y volverá a la normalidad después de 24 horas o cuando el recipiente para el hielo esté lleno.

Es posible que el hielo se fusione si no se usa con regularidad. Para evitar esto, deseche el hielo y deje que el fabricante de hielo vuelva a llenarse.



Apague el fabricante de hielo si el recipiente para el hielo se va a quitar por un período largo de tiempo. La unidad está equipada con un tiempo de espera de 3 minutos que empieza después de extraer el recipiente para el hielo, para garantizar que los cubos no salgan expulsados antes de poder desactivar el fabricante de hielo o volver a instalar el recipiente para el hielo.

Modo de noche

El modo de noche reduce automáticamente el brillo de la luz interior cuando se detecta una luz ambiental tenue.  aparece en la esquina superior izquierda de la pantalla del panel de control cuando el modo de noche está activado.

 aparece cuando se detecta una luz ambiental tenue. El brillo de la luz interior permanece reducido durante tres minutos, incluso si la luz ambiental cambia. Presione  para aumentar el brillo.

Para encender o apagar el modo de noche:

- 1 Presione .
- 2 Presione .


Sabbath

Este electrodoméstico lleva el certificado Star-K que indica que cumple con estrictas normas religiosas junto con instrucciones específicas que aparecen en www.star-k.org.

El modo Sabbath activa automáticamente las luces interiores con un brillo reducido. Las luces permanecen encendidas cuando la puerta se cierra. Las luces no pueden apagarse en el modo Sabbath.

El modo Sabbath se desactiva automáticamente después de 74 horas. Todas las preferencias de iluminación vuelven a su configuración anterior cuando se desactiva el modo Sabbath.

Para activar el modo Sabbath:

- 1 Pulse .
- 2 Pulse y mantenga presionado  durante 3 segundos.

Para desactivar el modo Sabbath:

- 1 Pulse y mantenga presionado  durante 3 segundos.

Dispensador de hielo y agua

El tanque de agua interno de 40 oz (1.2 L) debe llenarse antes de que el agua fluya desde el dispensador. Pulse y mantenga presionada la palanca del dispensador de agua durante unos 60 segundos hasta que se dispense el agua.

⚠ PRECAUCIÓN

Limite el uso del dispensador de agua y hielo a siete minutos o menos.

DISPENSADOR INTERNO

El dispensador interno de hielo y agua está diseñado para alojar un vaso de 16 oz (0.5 L). La rejilla de agua extraíble ubicada debajo del dispensador recoge el goteo de agua. Consulte la siguiente ilustración.

FUNCIÓN

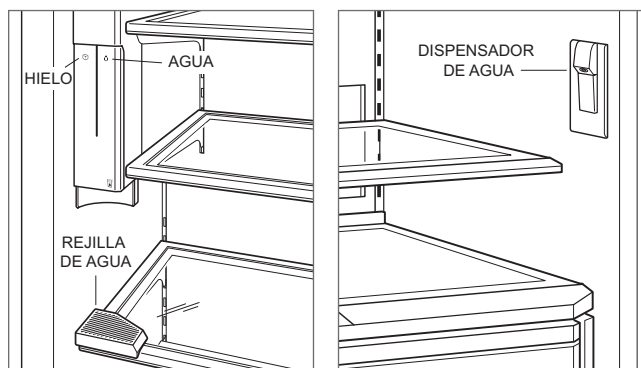


Pulse y mantenga presionado para dispensar hielo.



Pulse y mantenga presionado para dispensar agua.

Para un dispensador de agua solamente, oprima la palanca con un vaso para dispensar agua. El flujo de agua se detendrá al retirar el vaso. Consulte la siguiente ilustración.



Dispensador interno de hielo y agua

Dispensador de agua

DISPENSADOR EXTERNO

El hielo y el agua se dispensan a través de la puerta.

La rejilla de agua extraíble ubicada debajo del dispensador recoge el goteo de agua. Consulte la siguiente ilustración. No es un drenaje. No vierta agua en la rejilla de agua.

Para dispensar grandes cantidades de hielo y agua, use el dispensador ubicado en el interior del refrigerador. Consulte la siguiente ilustración.

FUNCIÓN



Encender o apagar la luz.



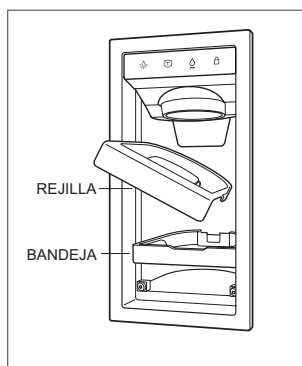
Pulse para seleccionar hielo, luego presione la palanca con un vaso para dispensar.



Pulse para seleccionar agua, luego presione la palanca con un vaso para dispensar.



Presione y mantenga presionado para bloquear y desbloquear el dispensador.



Rejilla de agua extraíble.

Conservación de alimentos

Consejos para la conservación de alimentos—Para reducir el riesgo de deterioro, minimice la manipulación de los alimentos. Almacene las frutas y las verduras por separado. Almacene las carnes en su paquete original; una vez abierto, vuelva a envolver ajustadamente.

Gas etileno—Muchos alimentos frescos emiten gas etileno, un compuesto que se da naturalmente y que acelera la maduración de los alimentos y su deterioro.. Los refrigeradores Sub-Zero vienen con un sistema de purificación de aire (basado en tecnología desarrollada por la NASA) que elimina el aire de etileno y el olor cada 20 minutos. Para reducir el deterioro, no almacene frutas o verduras que producen etileno con aquellas que son sensibles al etileno.

e⁺ Indica un alimento que produce etileno.

e⁻ Indica un alimento sensible al etileno.

Humedad—La humedad óptima varía para cada alimento. Para mantener los alimentos frescos más tiempo, almacene los alimentos en las áreas designadas en las tablas siguientes.

ALIMENTOS	CÓDIGO E	REFRIGERADOR	CONGELADOR
ALIMENTOS FRESCOS			
Alcachofas		1–2 semanas	No se recomienda congelar verduras frescas
Espárragos		2–3 semanas	
Brotos de soja		7–9 días	
Ejotes y Frijoles anchos	e ⁻	7–10 días	
Remolacha sin parte superior		3–4 meses	
Repollo chino	e ⁻	3 semanas	
Brócoli	e ⁻	1–2 semanas	
Col	e ⁻	3–6 semanas	
Zanahorias	e ⁻	1–5 meses	
Coliflor	e ⁻	3–4 semanas	
Apio		1–2 meses	
Maíz		5–8 días	
Pepinos	e ⁻	10–14 días	
Berenjena*	e ⁻	1–2 semanas	
Hierbas frescas	e ⁻	1–3 semanas	
Ajo*		6–7 meses	
Jengibre*		6 meses	
Jícama*		1–2 meses	
Col rizada	e ⁻	1–2 meses	
Poro		2 meses	
Lechuga	e ⁻	2–3 semanas	
Hongos		1–2 semanas	
Cebolla		1–6 meses	
Perejil	e ⁻	1–2 meses	
Chícharos	e ⁻	1–2 semanas	
Pimientos (grande o chile)	e ⁻	2–3 semanas	
Papas*		5–10 meses	
Rábanos		1–2 meses	
Chalotes		6 meses	
Espinacas	e ⁻	10–14 días	
Calabacita (piel suave)	e ⁻	1–2 semanas	
Tomates de árbol		7–10 días	
Castañas de agua		2–4 meses	

*No refrigerar.

Conservación de alimentos

ALIMENTOS	CÓDIGO E	REFRIGERADOR	CONGELADOR
FRUTA FRESCA			
Manzanas	e ⁺	1–2 meses	No se recomienda congelar fruta fresca
Albaricoques	e ⁺	1–2 semanas	
Aguacates [†]	e ⁺	2–4 semanas	
Plátanos*	e ⁻	1–4 semanas	
Arándanos		10–18 días	
Melón cantaloupe	e ⁺	2–3 semanas	
Cerezas		2–3 semanas	
Higos	e ⁺	7–10 días	
Toronjas		6–8 semanas	
Uvas		2–3 semanas	
Melón verde	e ⁻	3–4 semanas	
Kiwis	e ⁻	4–6 semanas	
Limonas		1–6 meses	
Limas		6–8 semanas	
Mangos [†]	e ⁺	2–3 semanas	
Nectarinas	e ⁺	2–4 semanas	
Naranjas		3–8 semanas	
Duraznos		2–4 semanas	
Peras [†]	e ⁺	2–3 semanas	
Piña		2–4 semanas	
Ciruelas	e ⁺	2–5 semanas	
Frambuesas		3–6 días	
Fresas		7–10 días	
Tomates*	e ⁺	1–3 semanas	
HUEVOS Y CARNES FRÍAS			
Huevos (frescos)		3 semanas	No se recomienda congelar huevos o carnes frías
Sustituto de huevo (abierto)		3 días	
Huevo, atún o ensalada de jamón		3–5 días	
Carne embutida, tajadas finas		1–2 días	

*No refrigerar. [†]Dejar madurar a temperatura ambiente antes de refrigerar.

ALIMENTOS	CÓDIGO E	REFRIGERADOR	CONGELADOR
SOPA			
Estofado con carne		3–4 días	2–3 meses
Sopa de verduras		3–4 días	2–3 meses
CARNES, PESCADOS Y AVES			
Tocino		7 días	1 mes
Bistec de res, asado		3–5 días	6–12 meses
Pescado azul, perca		2 días	2–3 meses
Carne curada (corned beef)		5–7 días	1 mes
Jamón (entero)		7 días	1–2 meses
Hamburguesa		1–2 días	3–4 meses
Platos de carne (cocinada)		3–4 días	2–3 meses
Chuletas de cerdo y ternera		3–5 días	4–6 meses
Ave de corral (cocinada)		3–4 días	4–6 meses
Ave de corral (cruda)		1–2 días	9 meses
Salmón, caballa		4 días	5–9 meses
Salchicha (cruda)		1–2 días	1–2 meses
Camarón		1 día	6 meses
Salchichas, hamburguesas de desayuno ahumadas		7 días	1–2 meses
PRODUCTOS LÁCTEOS			
Mantequilla		3 meses	1 año
Queso cottage		1–2 semanas	4 semanas
Crema a base de mantequilla		2 semanas	No recom.
Queso procesado		3–4 semanas	6–8 meses
Leche entera o descremada		1–2 semanas	No recom.
Yogur		1 mes	No recom.

Limpieza

EXTERIOR DE ACERO INOXIDABLE

Utilice un limpiador no abrasivo para acero inoxidable y aplique con un paño suave que no deje pelusa. Para resaltar el lustre natural, limpie suavemente la superficie con una tela de microfibra humedecida con agua y, luego, pule en seco con una gamuza. Siempre siga la dirección del acabado del acero inoxidable.

LIMPIEZA INTERIOR

Para limpiar las superficies internas y todas las piezas móviles, lave con una disolución suave de jabón, agua y bicarbonato de sodio. Enjuague y seque completamente. Evite que el agua entre en contacto con las luces y el panel de control.

PRECAUCIÓN

No use vinagre, alcohol ni otros limpiadores a base de alcohol en ninguna superficie interna.

VACACIONES

Para vacaciones prolongadas, apague la unidad desde el panel de control. Vacíe la unidad y deje las puertas ligeramente abiertas para permitir la entrada de aire fresco y que el interior se mantenga seco. Debe cambiarse el filtro de agua antes de iniciar las operaciones.

Limpeza

CONDENSADOR

⚠ PRECAUCIÓN

Antes de limpiar el condensador, apague la unidad desde el panel de control. Utilice guantes para evitar que las aletas afiladas del condensador puedan provocarle heridas.

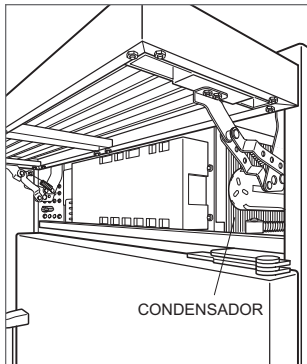
⚠ PRECAUCIÓN

Si no lo limpia, el condensador puede perder la temperatura o puede producirse un daño o falla mecánica en dicho condensador.

El condensador está situado detrás de la rejilla abatible. Limpie el condensador cada 6 a 12 meses.

Para limpiar el condensador:

- 1 Apague la unidad desde el panel de control.
- 2 Jale el borde inferior de la rejilla hacia fuera y gire hacia arriba. Consulte la siguiente ilustración.
- 3 Use un cepillo de cerdas suaves y aspiradora para quitar el polvo y pelusa del condensador. Para evitar daños a las aletas del condensador, asegúrese de aspirar en dirección de las aletas.



Ubicación del condensador

Solución de problemas

Antes de ponerse en contacto con el centro de servicio certificado de fábrica de Sub-Zero, visite subzero-wolf.com/assistance o use estas sugerencias útiles para prevenir la necesidad de una visita de servicio.

OPERACIÓN DE LA UNIDAD

Las luces no funcionan o no enfría.

- 1 Compruebe si la energía está encendida.
- 2 Compruebe si llega corriente eléctrica a la unidad y si el disyuntor de la casa está encendido.

El refrigerador o el congelador no tienen luz.

- 1 La puerta tal vez se dejó ligeramente abierta, lo cual desactivó las luces para eliminar el exceso de calor. Si las luces están apagadas, mantenga la puerta cerrada durante una hora. Si las luces aún permanecen apagadas, póngase en contacto con el servicio certificado de fábrica de Sub-Zero.
- 2 El servicio certificado de fábrica de Sub-Zero debe reemplazar la luz LED interior.

No hay luz en el estante del refrigerador.

- 1 Verifique que el estante está instalado correctamente en las guías que corren a lo largo de la pared posterior.
- 2 Verifique que no hay nada (un contenedor alto o alimentos) que impida que el estante se inserte en las guías que corren a lo largo de la pared posterior.

Hay formación de escarcha, condensación o hielo dentro de la unidad.

- 1 Compruebe si el condensador está limpio.
- 2 Compruebe si la puerta cierra correctamente.
- 3 Compruebe que la puerta no se haya quedado abierta.
- 4 Compruebe que el empaque de la puerta no tenga rasgaduras ni roturas. En tal caso, póngase en contacto con el servicio certificado de fábrica de Sub-Zero.
- 5 Si la formación de hielo es muy gruesa, apague la unidad y use un secador de pelo para derretir el hielo. Debe usar el secador de pelo a baja temperatura y mantenerlo en movimiento en todo momento. Una vez que el hielo se derrita, seque el agua con un paño o toalla de papel.

A altas temperaturas, la unidad funciona en exceso o la unidad emite demasiado calor.

- 1 Compruebe si el condensador está limpio.
- 2 Compruebe si la puerta cierra correctamente.
- 3 Compruebe que la puerta no se haya quedado abierta.
- 4 El aumento de la temperatura ambiente puede causar que los compresores funcionen durante más tiempo.
- 5 Si la pantalla muestra una temperatura de 38° y 0°, pero no enfría, es posible que la unidad esté en modo de sala de exposición. Comuníquese con la línea de atención al cliente de Sub-Zero al 800-222-7820.

No sale agua del dispensador.

- 1 Espere una hora y pruebe nuevamente el dispensador. Si el problema no se resuelve, comuníquese con la línea de atención al cliente de Sub-Zero al 800-222-7820.

Solución de problemas

PRODUCCIÓN DE HIELO

No sale hielo.

- 1 Verifique si se visualiza el indicador de cubos de hielo en la pantalla del panel de control.
- 2 Compruebe que el fabricante de hielo haya estado encendido por lo menos por 24 horas.
- 3 Compruebe que la temperatura del congelador se aproxima a 0 °F.
- 4 Compruebe que el recipiente de hielo esté bien instalado.
- 5 Compruebe que el brazo del fabricante de hielo se encuentre en la posición hacia abajo.
- 6 Compruebe que la unidad tenga suministro de agua.
- 7 Compruebe que el filtro de agua haya sido reemplazado en los últimos 12 meses y si fue instalado correctamente.
- 8 Compruebe que el filtro de agua haya sido extraído o que se esté utilizando un sistema de filtrado por ósmosis inversa.

El hielo tiene un color azul o verde.

- 1 Probablemente haya corrosión en la línea de suministro de cobre. Póngase en contacto con un plomero para limpiarla o cambiarla.

Manchas negras en los cubos de hielo.

- 1 Detenga el uso y póngase en contacto con el servicio certificado de fábrica de Sub-Zero.

Mal sabor.

- 1 Descongele el congelador y límpielo con agua y jabón.
- 2 Coloque granos de café o pedazos de carbón en el congelador para absorber el olor.

Los cubos de hielo están huecos.

- 1 Limpie el condensador. Si no puede resolver el problema, póngase en contacto con el servicio certificado de fábrica de Sub-Zero.

OLOR

- 1 Limpie la unidad antes de utilizarla por primera vez. Esto eliminará todos los olores que hayan quedado atrapados durante el envío.
- 2 Cambie el cartucho de purificación de aire.
- 3 Limpie a fondo la unidad y los estantes.
- 4 Cubra los alimentos que no estén cubiertos.

Servicio

- Para mantener la calidad de su producto, póngase en contacto con el servicio certificado de fábrica de Sub-Zero. Para obtener los datos del servicio certificado de fábrica de Sub-Zero más cercano, eche un vistazo a la sección de contacto y servicio técnico en nuestro sitio web, subzero.com/assistance o llame a la línea de atención al cliente de Sub-Zero al 800-222-7820.
- Al comunicarse con el servicio, necesitará el modelo y número de serie de su unidad. Los dos números aparecen en la placa de datos del producto. Consulte las páginas 6 a 7 para encontrar la placa de datos.
- Para fines de la garantía, también necesitará la fecha de instalación y el nombre de su distribuidor autorizado de Sub-Zero. Esta información debe estar registrada en la página 3 de este manual.

Garantía limitada residencial de Sub-Zero

PARA USO RESIDENCIAL

GARANTÍA COMPLETA DE DOS AÑOS*

Durante dos años a partir de la fecha de la instalación original, la garantía de su producto Sub-Zero cubre todos los repuestos y mano de obra para reparar o cambiar, bajo el uso residencial normal, cualquier parte del producto que se compruebe que tiene defectos de material o mano de obra. Todos los servicios proporcionados por Sub-Zero bajo la garantía anterior deben ser realizados por servicios certificados de fábrica de Sub-Zero, a menos que Sub-Zero Inc. lo especifique de otra manera. El Servicio se hará durante el horario comercial normal.

GARANTÍA COMPLETA DE CINCO AÑOS SOBRE EL SISTEMA CERRADO

Durante cinco años a partir de la fecha de la instalación original, la garantía de Sub-Zero cubre todos los repuestos y mano de obra para reparar o cambiar, bajo el uso residencial normal, cualquiera de estos componentes que se compruebe que tiene defectos de material o mano de obra: compresor, condensador, evaporador, secador y toda la tubería de conexión. Todos los servicios proporcionados por Sub-Zero bajo la garantía anterior deben ser realizados por servicios certificados de fábrica de Sub-Zero, a menos que Sub-Zero Inc. lo especifique de otra manera. El Servicio se hará durante el horario comercial normal.

GARANTÍA LIMITADA DE DOCE AÑOS SOBRE EL SISTEMA CERRADO

Durante doce años a partir de la fecha de la instalación original, Sub-Zero reparará o cambiará los siguientes componentes que se compruebe que tienen defectos de material o mano de obra: compresor, condensador, evaporador, secador y toda la tubería de conexión. Si el propietario usa el servicio certificado de fábrica de Sub-Zero, el prestador del servicio reparará o cambiará estas piezas mediante el pago de todos los demás costos, incluyendo la mano de obra, a cargo del propietario. Si el propietario usa un servicio no certificado, debe ponerse en contacto con Sub-Zero, Inc. (mediante la información anotada más adelante) para recibir los componentes reparados o de reemplazo. Sub-Zero no reembolsará al propietario los importes correspondientes a componentes comprados a un servicio no certificado o a otras fuentes.

TÉRMINOS APLICABLES A CADA GARANTÍA

La garantía se aplica solamente a los productos instalados para uso residencial normal. La garantía se aplica solamente a los productos instalados en cualquiera de los cincuenta estados de Estados Unidos, el Distrito de Columbia o las diez provincias de Canadá. Esta garantía no cubre las partes o mano de obra para corregir cualquier defecto causado por negligencia, accidente o uso, mantenimiento, instalación, servicio o reparación inadecuados.

LOS RECURSOS DESCRITOS ANTERIORMENTE PARA CADA GARANTÍA SON LOS ÚNICOS QUE SUB-ZERO, INC. PROPORCIONARÁ, YA SEA BAJO ESTA GARANTÍA O BAJO CUALQUIER GARANTÍA QUE RESULTE DE LA APLICACIÓN DE LA LEY. SUB-ZERO, INC. NO SE HACE RESPONSABLE POR LOS DAÑOS INDIRECTOS O INCIDENTALES DERIVADOS DEL INCUMPLIMIENTO DE ESTA GARANTÍA O CUALQUIER OTRA GARANTÍA, YA SEA EXPRESA, IMPLÍCITA O LEGAL.

Algunos estados no permiten la exclusión o limitación de daños indirectos o incidentales, por lo que la limitación o exclusión anterior podría no aplicarse a su caso. Esta garantía le otorga derechos legales específicos y usted también puede tener otros derechos legales que varían entre estados.

Para recibir las partes o el servicio y el nombre del servicio certificado de fábrica de Sub-Zero más cercano a usted, póngase en contacto con Sub-Zero, Inc., P.O. Box 44848, Madison, WI 53744; eche un vistazo a la sección de soporte del producto en nuestro sitio web, subzero.com, envíenos un correo electrónico a customerservice@subzero.com o llame al 800-222-7820.

*Las puertas, paneles, manijas, estructuras y superficies internas de acero inoxidable están cubiertas por una garantía limitada de 60 días sobre piezas y mano de obra, por defectos estéticos.

*Los filtros de agua de repuesto y los cartuchos de purificación de aire no están cubiertos por la garantía del producto.



Table des matières

3	Réfrigération série Classic
4	Précautions de sécurité
6	Caractéristiques de la série Classic
8	Commandes tactiles
10	Rangement
14	Fonctionnement du produit
20	Préservation des aliments
22	Conseils d'entretien
24	Dépannage
27	Garantie Sub-Zero

Service à la clientèle

Le numéro de modèle et le numéro de série sont imprimés sur la fiche d'enregistrement du produit ci-jointe. Les deux numéros sont aussi indiqués sur la plaque signalétique du produit. Reportez-vous aux pages 6 et 7 pour connaître l'emplacement de la plaque signalétique. Pour les besoins de la garantie, vous devrez aussi avoir la date d'installation et le nom de votre dépositaire Sub-Zero autorisé. Inscrivez ces renseignements ci-dessous pour consultation ultérieure.

Si votre produit a besoin d'être réparé, assurez-vous d'utiliser un fournisseur de service certifié par l'usine Sub-Zero recommandé par notre centre de service à la clientèle, ou sélectionnez-en un parmi la liste de fournisseurs disponibles à subzero.com/locator. Tous les fournisseurs de service certifiés par l'usine sont soigneusement sélectionnés et rigoureusement formés par nous. Pour toute question ou information ne se trouvant pas dans ce guide, consultez le site subzero-wolf.com/assistance.

RENSEIGNEMENTS SUR LE SERVICE

Numéro de modèle

Numéro de série

Date de l'installation

Nom du service certifié

Numéro du service certifié

Dépositaire autorisé

Numéro du dépositaire

Remarque importante

Pour s'assurer que ce produit est installé et utilisé en toute sécurité et aussi efficacement que possible, prenez note des types de renseignement mis en évidence tout au long de ce guide :

REMARQUE IMPORTANTE met en évidence des renseignements qui sont particulièrement importants.

▲ MISE EN GARDE

Indique une situation où une blessure mineure ou des dommages au produit peuvent se produire si les directives ne sont pas respectées.

▲ AVERTISSEMENT

Décrit un danger qui peut causer une blessure grave ou la mort si les précautions ne sont pas respectées.

REMARQUE IMPORTANTE : Tout au long de ce guide, les dimensions entre parenthèses sont en millimètres à moins d'indication contraire.

DIRECTIVES IMPORTANTES

▲ AVERTISSEMENT

Ne rangez pas des substances explosives, comme des bombes aérosol avec un gaz inflammable, dans cet appareil.

▲ AVERTISSEMENT

Gardez les ouvertures de ventilation, dans le boîtier de l'appareil ou dans la structure intégrée, libres de toute obstruction.

▲ AVERTISSEMENT

N'utilisez pas des dispositifs mécaniques ou d'autres méthodes pour accélérer le processus de dégivrage, autres que ceux qui sont recommandés par le fabricant.

▲ AVERTISSEMENT

N'exposez pas cet appareil à la pluie.

▲ AVERTISSEMENT

Cet appareil électroménager n'est conçu que pour une utilisation résidentielle.

▲ AVERTISSEMENT

- Cet appareil contient un réfrigérant inflammable et il doit être manipulé, installé, entretenu et mis hors de service par un personnel autorisé. Une fois mis hors de service, consultez les autorités locales pour obtenir des directives sur l'élimination.
- Pour minimiser le risque d'allumage en raison d'une installation, de pièces de rechange ou de procédures d'entretien inappropriées, seuls des techniciens en réfrigération ayant suivi une formation sur les réfrigérants inflammables qui connaissent les dangers associés à l'électricité haute tension et au réfrigérant sous pression peuvent travailler sur cet appareil.
- N'endommagez pas le circuit de réfrigération lors de l'installation, l'entretien ou la réparation de l'unité.
-  Ce symbole indique un risque d'incendie/de matériaux inflammables.

▲ MISE EN GARDE

Les machines à glaçons incorporées doivent être installées par le fabricant ou son agent de service.

▲ AVERTISSEMENT

N'utilisez pas des appareils électriques à l'intérieur des compartiments de rangement des aliments, à moins qu'ils ne soient d'un type recommandé par le fabricant.

DIRECTIVES IMPORTANTES

▲ AVERTISSEMENT

Cet appareil n'a pas été conçu pour être utilisé par des personnes dont les capacités physiques, sensorielles ou intellectuelles sont réduites, ou par des personnes manquant d'expérience ou de connaissances, à moins d'être supervisées ou d'avoir reçu des directives concernant l'utilisation de l'appareil par une personne responsable de leur sécurité. Les enfants doivent être supervisés pour s'assurer qu'ils ne jouent pas avec l'appareil.

▲ AVERTISSEMENT

DANGER. Risque de piégeage pour les enfants. Avant d'éliminer votre ancien réfrigérateur ou congélateur :

- Retirez les portes.
- Laissez les tablettes et les séparateurs de tiroir en place afin que les enfants ne puissent pas y pénétrer facilement.

▲ AVERTISSEMENT

PROPOSITION 65 POUR LES RÉSIDENTS DE LA CALIFORNIE

Cause le cancer et des troubles reproductifs—
www.P65Warnings.ca.gov

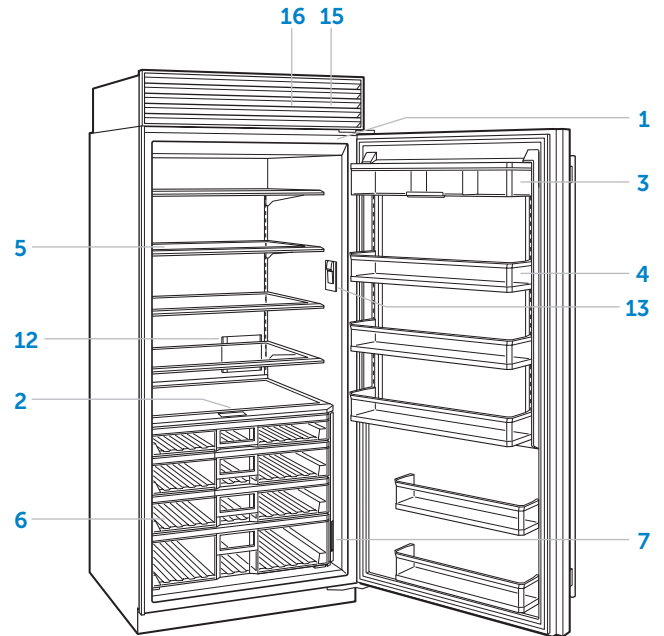
Cet appareil est prévu pour usage ménager ou tout autre usage similaire comme notamment :

- les cuisines pour le personnel de bureaux, de magasins et autres milieux de travail
- les gites ruraux et l'utilisation par des clients dans les hôtels, les motels et aux milieux résidentiels
- les établissements de type chambres d'hôtes
- les traiteurs et autres occupations hors détail

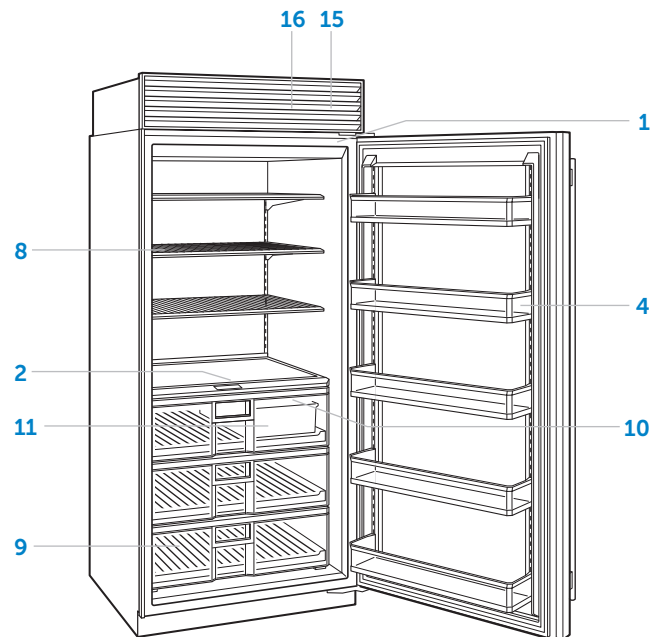
Caractéristiques de la série Classic

CARACTÉRISTIQUES

1	Plaque signalétique du produit
2	Tableau de commande tactile
3	Compartiment à produits laitiers basculable
4	Balconnets réglables
5	Tablettes du réfrigérateur
6	Tiroirs d'entreposage du réfrigérateur
7	Fiches de fraîcheur
8	Tablettes du congélateur
9	Tiroirs de rangement du congélateur
10	Machine à glaçons
11	Bac à glaçons amovible avec poignée
12	Système de purification d'air
13	Distributeur d'eau interne
14	Distributeur d'eau et de glaçons externe
15	Système de filtration d'eau (derrière la grille)
16	Condensateur (derrière la grille)

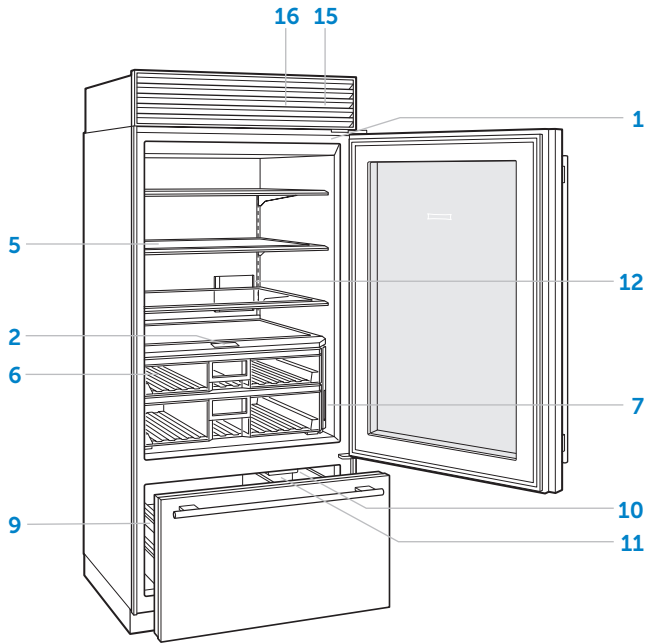


Modèle tout réfrigérateur

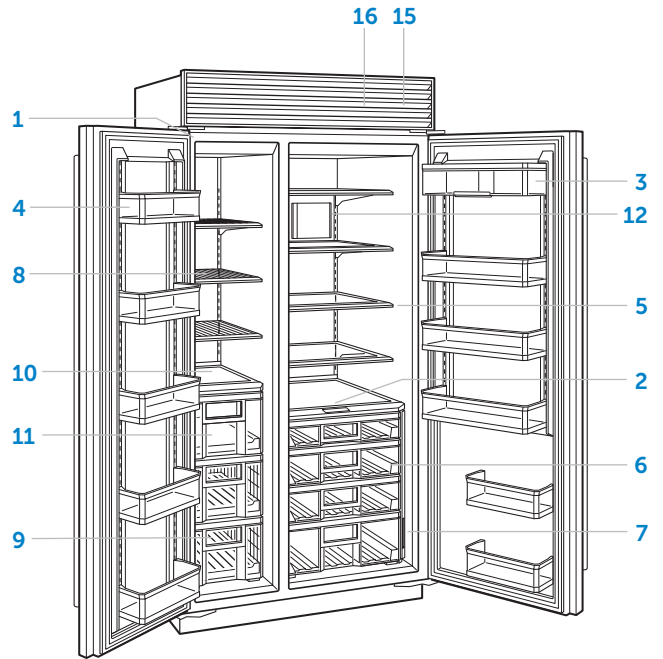


Modèle tout congélateur

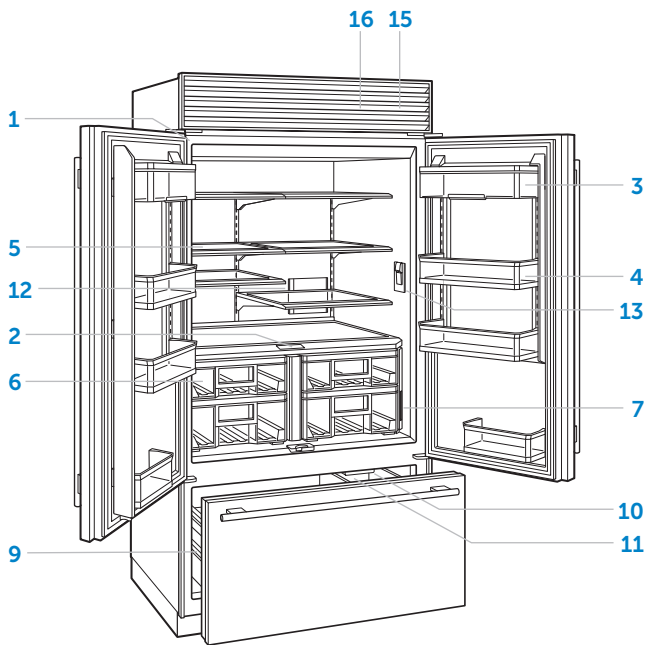
Caractéristiques de la série Classic



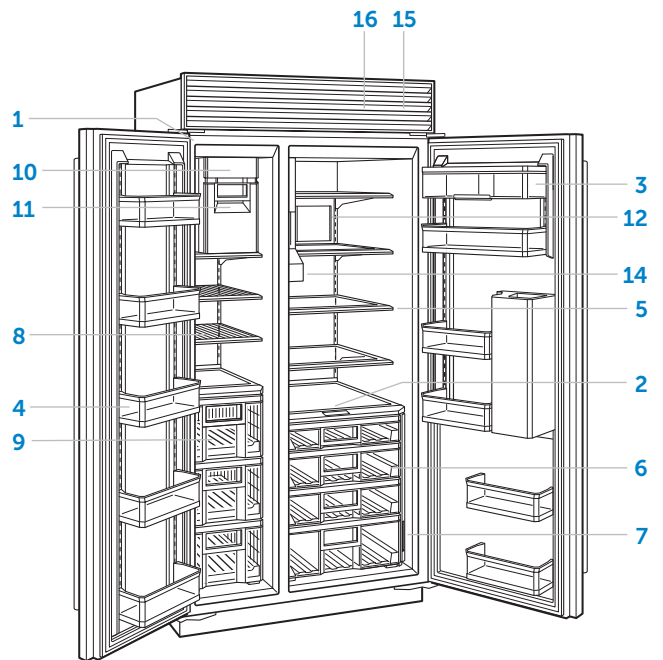
Modèle à congélateur inférieur



Modèle côte à côte



Modèle avec porte à deux battants



Modèle côte à côte avec distributeur externe

Panneau de commande tactile

Pour le démarrage initial, enfoncez la touche ⓘ sur le panneau de commande pendant deux secondes.

Les températures recommandées sont préréglées à 0 °F (-18 °C) pour le congélateur et à 38 °F (3 °C) pour le réfrigérateur. Les températures peuvent être réglées dans des incréments d'un degré. Le modèle combiné comporte deux zones de température.

Pour régler la température :

- 1 Touchez à la température que vous voulez modifier.
- 2 Touchez à + ou – jusqu'à ce que la température voulue s'affiche. Reportez-vous à l'illustration ci-dessous.

Pour régler d'autres paramètres, enfoncez la touche ⚙ sur le panneau de commande. Reportez-vous à l'illustration ci-dessous.



Écran d'accueil à deux zones



Écran d'accueil à une zone

PARAMÈTRES

	Réglage de la température et de l'humidité des tiroirs du réfrigérateur
	Mise en marche ou arrêt de la machine à glaçons
	Mise en marche ou arrêt du purificateur d'air
	Réglage de l'éclairage doux ou de l'éclairage d'appoint (le cas échéant)
	Activation ou désactivation du mode de nuit
	Mise en marche ou arrêt du distributeur interne (le cas échéant)
	Activation ou désactivation de l'alarme de la porte et réglage de sa durée
	Réglage du volume et de la tonalité de l'alarme de la porte
	Activation ou désactivation du rappel du filtre d'eau
	Activation ou désactivation de la connexion (le cas échéant)
	Mise en marche ou arrêt de l'unité
	Activation ou désactivation de la fonction Sabbath
	Réglage de l'unité de température
	Sélection de la langue
	Renseignements sur le système
	Affichage des renseignements sur le dépannage et le service

Établir la connexion de cet appareil

Reliez cet appareil pour le surveiller et le contrôler à distance. La connexion nécessite un routeur sans fil, une connexion Internet avec un nom de réseau et son mot de passe, ainsi qu'un dispositif mobile compatible. Il n'y a pas de limite au nombre d'appareils que vous pouvez relier à un compte. Vous pouvez relier des produits de plusieurs résidences au même compte. Il n'est pas obligatoire de relier les appareils.

Établissez la connexion dès aujourd'hui pour :

- Recevoir des alertes, des mises à jour sur le statut et des avis sur l'entretien de routine.
- Rationaliser les tâches quotidiennes grâce aux télécommandes et aux commandes vocales.
- Accéder rapidement aux manuels d'utilisation et aux conseils de nettoyage et d'entretien.

Pour établir la connexion :

- 1 Téléchargez l'appli gratuite Sub-Zero Group Owner depuis l'App Store d'Apple ou Google Play.
- 2 Après avoir activé la fonction Bluetooth^{MD} sur votre dispositif, placez-vous à une distance d'environ un mètre de l'appareil, ouvrez l'appli et suivez les directives qui apparaissent à l'écran.
- 3 Ouvrez une session ou créez un compte.
- 4 Tapez sur Add An Appliance (ajouter un appareil) ou tapez sur + dans le coin supérieur droit de l'écran pour ajouter des appareils électroménagers. Pour identifier l'appareil à relier, ouvrez sa porte.
- 5 Tapez sur + à côté de l'appareil pour le sélectionner. Si des appareils identiques apparaissent, suivez l'étape supplémentaire qui s'affiche pour identifier l'appareil à relier.
- 6 Tapez sur Pair Via Bluetooth^{MD} (relier par Bluetooth^{MD}). Attendez que la configuration soit terminée, puis tapez sur Set Up Your Appliance For Pairing (configurer votre appareil pour la connexion).
- 7 Tapez sur Choose a Network (choisir un réseau) sur l'écran Connect Your Appliance to Wi-Fi (relier votre appareil au Wi-Fi).
- 8 Sélectionnez le réseau Wi-Fi résidentiel et saisissez le mot de passe du réseau.
- 9 Tapez sur Turn on Notifications (activer les notifications) pour permettre l'envoi de notifications au sujet de l'appareil (par exemple, si la porte a été laissée entrouverte).
- 10 Tapez sur Done (terminé) sur l'écran Success (réussite) pour terminer la configuration.

Dual refrigeration^{MD} (réfrigération double)

Cet appareil Sub-Zero est muni d'un système à réfrigération double Dual Refrigeration^{MD} unique pour garder les aliments frais plus longtemps.

Avec le système Dual Refrigeration^{MD} de Sub-Zero, les systèmes de réfrigération et de congélation individuels ont été conçus pour maintenir des températures précises, constantes et des niveaux d'humidité appropriés pour une durée de vie plus longue des aliments. La réfrigération double Dual Refrigeration^{MD} élimine le transfert de l'odeur des aliments frais aux aliments congelés et aux glaçons et ne gèle pas l'humidité dans l'air dans la section des aliments frais.

Rangement dans le réfrigérateur

BALCONNETS RÉGLABLES

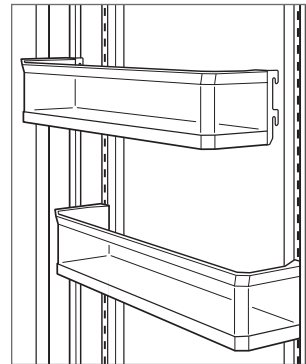
Pour déplacer un balconnet ou le compartiment à produits laitiers :

- 1 Pour retirer, soulevez le balconnet à partir du bas et glissez-le vers l'extérieur. Reportez-vous à l'illustration ci-dessous.
- 2 Pour réinstaller, placez le balconnet à la position voulue et glissez-le vers le bas dans les guides.

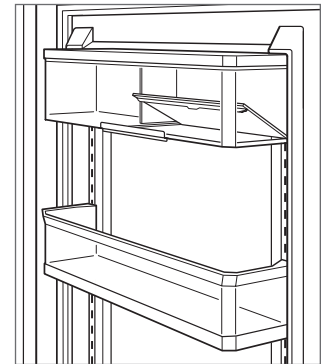
REMARQUE IMPORTANTE : Si l'ouverture de la porte est limitée à 90°, les balconnets peuvent devoir être retirés avant d'enlever un tiroir de rangement ou une tablette en verre.

COMPARTIMENT À PRODUITS LAITIERS BASCULABLE

Le fond du compartiment à produits laitiers se bascule vers le haut afin de pouvoir ranger des articles plus grands en dessous. Pour les modèles sans séparateurs verticaux dans le compartiment, le fond au complet se bascule vers le haut. Pour les modèles avec un séparateur vertical, une section se bascule vers le haut. Reportez-vous à l'illustration ci-dessous.



Retrait d'un balconnet



Compartiment à produits laitiers basculable

Rangement dans le réfrigérateur

TABLETTES EN VERRE

Pour déplacer une tablette en verre :

- 1 Pour retirer, inclinez-la vers le haut, puis soulevez-la vers le haut et l'extérieur. Reportez-vous à l'illustration.
- 2 Pour installer, insérez la tablette dans les pistes le long de la paroi arrière, puis abaissez le devant jusqu'à ce qu'elle s'enclenche en place.

REMARQUE IMPORTANTE : Faites attention lors de la manipulation des tablettes en verre pour éviter de les briser ou d'égratigner l'intérieur.

▲ MISE EN GARDE

Les tablettes en verre doivent être réchauffées jusqu'à la température de la pièce avant de les immerger dans de l'eau chaude.

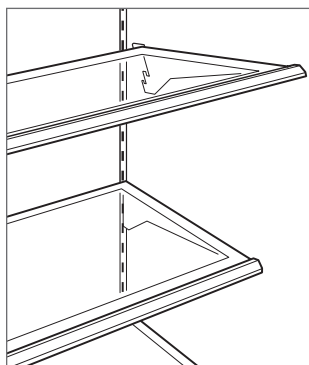
TIROIRS DU RÉFRIGÉRATEUR

Pour retirer et installer un tiroir de réfrigérateur :

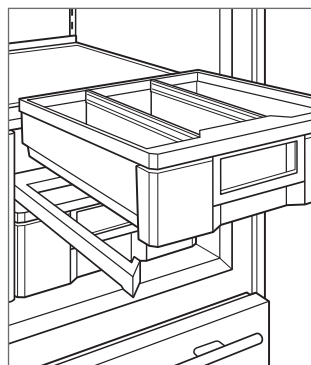
- 1 Pour retirer, ouvrez le tiroir jusqu'à ce qu'il s'arrête.
- 2 Soulevez l'avant du tiroir légèrement et tirez directement vers l'extérieur. Reportez-vous à l'illustration ci-dessous.
- 3 Pour l'installer, sortez le support du tiroir et alignez le fond du tiroir avec le support.
- 4 Glissez le tiroir dans sa position originale.

Pour déplacer un séparateur de tiroir de réfrigérateur :

- 1 Pour retirer le séparateur, tirez-le directement vers le haut.
- 2 Pour installer le séparateur, alignez les onglets du séparateur avec les encoches dans le tiroir et poussez vers le bas.



Retrait d'une tablette en verre



Retrait d'un tiroir de réfrigérateur

Entreposage dans le congélateur

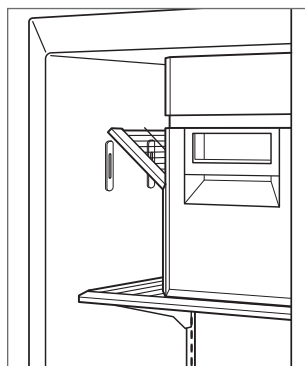
TABLETTES EN TREILLIS MÉTALLIQUE

Pour déplacer une tablette en treillis métallique :

- 1 Pour retirer, inclinez-la vers le haut, puis soulevez-la vers le haut et l'extérieur.
- 2 Pour installer, insérez la tablette dans les pistes le long de la paroi arrière, puis abaissez le devant jusqu'à ce qu'elle s'enclenche en place.

TABLETTE DE CONGÉLATEUR REPLIABLE

Pour les modèles munis d'un distributeur de glaçons, la tablette repliable se bascule vers le haut et le bas pour accommoder des articles plus grands ou plus petits.



Tablette de congélateur repliable

Rangement dans le congélateur

TIROIRS DU CONGÉLATEUR

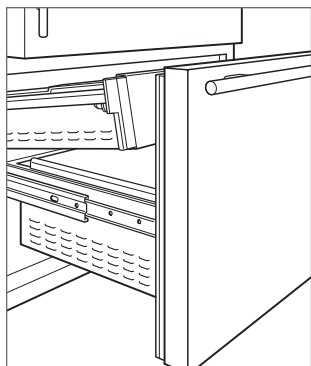
Pour retirer les paniers du congélateur (modèles à congélateur inférieur) :

- 1 Ouvrez le tiroir jusqu'à ce qu'il s'arrête.
- 2 Soulevez les paniers supérieur et inférieur vers le haut et l'extérieur. Reportez-vous à l'illustration ci-dessous.

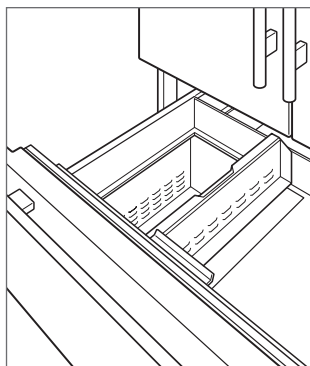
Pour installer les paniers du congélateur (modèles à congélateur inférieur) :

- 1 Insérez le panier inférieur dans les quatre dispositifs de retenue en coin.
- 2 Placez le panier supérieur sur les rails latéraux et glissez vers l'arrière jusqu'à ce qu'il s'enclenche.

Panier de congélateur extensible—pour les modèles à congélateur inférieur (sauf le modèle de 30 po), le côté gauche du panier supérieur du congélateur s'ajuste afin de pouvoir ranger de grands articles dans le panier inférieur. Glissez vers la droite ou la gauche pour ajuster. Reportez-vous à l'illustration ci-dessous.



Retrait d'un panier du congélateur



Panier extensible du congélateur

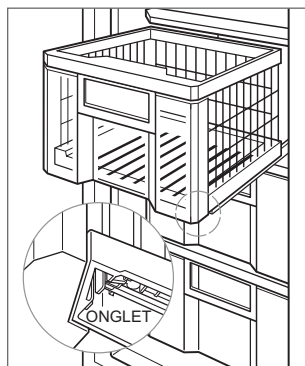
Pour retirer un panier du congélateur (les modèles tout congélateur et côte à côte) :

- 1 Ouvrez le tiroir jusqu'à ce qu'il s'arrête.
- 2 Tirez les deux onglets en plastique situés derrière les deux coins inférieurs du tiroir vers l'avant, puis soulevez vers le haut et l'extérieur. Reportez-vous à l'illustration ci-dessous.

Si l'ouverture de la porte est limitée à 90°, le tiroir supérieur doit être retiré avant de retirer le panier du milieu ou du bas.

Pour installer un panier du congélateur (les modèles tout congélateur et côte à côte) :

- 1 Poussez les glissières de tiroir vers l'intérieur.
- 2 Alignez le tiroir avec les glissières, puis poussez vers l'arrière jusqu'à ce qu'il s'arrête.
- 3 Appuyez sur l'avant du tiroir pour enclencher les guides.



Retrait d'un tiroir du congélateur

Rangement dans le congélateur

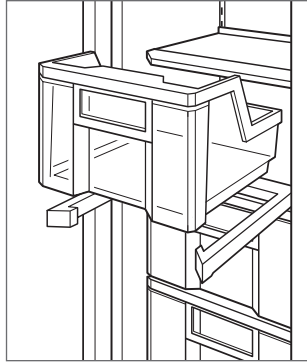
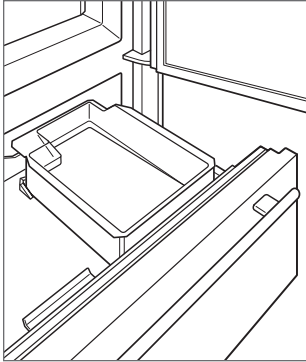
BAC À GLAÇONS

Pour retirer le bac à glaçons (modèles à congélateur inférieur) :

- 1 Ouvrez le tiroir du congélateur jusqu'à ce qu'il s'arrête.
- 2 Soulevez le bac à glaçons vers le haut et l'extérieur. Reportez-vous à l'illustration ci-dessous.

Pour retirer le bac à glaçons (modèles côte à côte) :

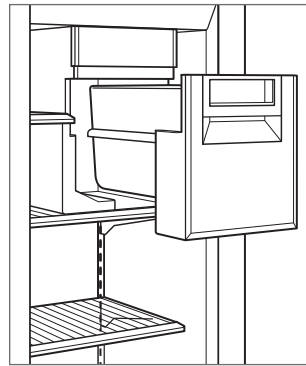
- 1 Tirez le bac à glaçons vers l'avant jusqu'à ce qu'il s'arrête.
- 2 Soulevez le bac à glaçons directement vers le haut. Reportez-vous à l'illustration ci-dessous.
- 3 Pour l'installer, sortez le support et alignez le fond du bac à glaçons avec le support.
- 4 Glissez le bac à glaçons dans sa position originale.



Modèles à congélateur inférieur Modèles côte à côte

Pour retirer le bac à glaçons (modèles côte à côte à distributeur) :

- 1 Tirez le bac à glaçons vers l'avant jusqu'à ce qu'il s'arrête.
- 2 Soulevez l'arrière de l'ensemble du support, puis tirez vers l'avant et l'extérieur. Reportez-vous à l'illustration ci-dessous.



Modèles côte à côte à distributeur

Température



CONTRÔLE DE LA TEMPÉRATURE

Pour maximiser la préservation des aliments, la température des tiroirs du réfrigérateur peut être réglée automatiquement ou manuellement. Tous les tiroirs sont réglés à la même température et ne peuvent pas être réglés individuellement.

Mode automatique—règle automatiquement la température des tiroirs du réfrigérateur de 2° sous la température de réglage du réfrigérateur, mais elle ne peut pas être inférieure à 34 °F (1 °C).

Mode manuel—règle manuellement la température des tiroirs du réfrigérateur de 2° au-dessus ou sous la température de réglage du réfrigérateur, mais ne peut pas être inférieure à 34 °F (1 °C) ou supérieure à 42 °F (6 °C).

Pour ajuster la température :




- 1 Touchez à .
- 2 Touchez à .
- 3 Touchez à « A » ou « M » pour basculer entre les modes.
- 4 Touchez à + ou – pour régler la température manuellement.

Humidité

CONTRÔLE DE L'HUMIDITÉ


Certains aliments, particulièrement les légumes, nécessitent des niveaux supérieurs d'humidité pour en maximiser la fraîcheur. Le niveau d'humidité des tiroirs du réfrigérateur peut être réglé. Sélectionnez « Supérieur » pour vous assurer que les produits dureront le plus longtemps. Tous les tiroirs sont réglés au même niveau d'humidité et ne peuvent pas être réglés individuellement.

Pour régler l'humidité :

- 1 Touchez à .
- 2 Touchez à .
- 3 Touchez à  pour basculer entre les réglages.

Système de purification d'air

De nombreux aliments frais émettent du gaz éthylène, un composé qui se produit naturellement et qui accélère le mûrissement et la détérioration des aliments. Si votre unité est munie d'un système de purification d'air, la cartouche est installée en usine et située sur la paroi arrière du réfrigérateur.

Pour mettre la purification de l'air en marche, touchez à  sur l'écran des options.

⚠ MISE EN GARDE

Le système de purification d'air se conforme aux exigences fédérales applicables concernant l'exposition accidentelle au rayonnement ultraviolet. La lampe contient du mercure. Manipulez conformément aux lois d'élimination. Visitez earth911.com ou composez le 800-222-7820.

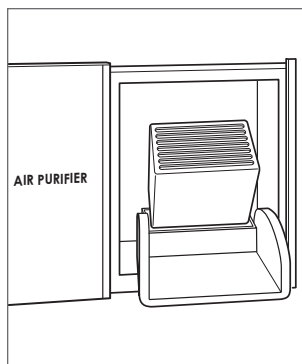
CARTOUCHE DE PURIFICATION D'AIR

La cartouche de purification d'air dure environ un an. Le message « Snooze/Refresh » s'affiche sur le panneau de commande lorsque la cartouche doit être remplacée. Touchez à « Snooze » pour faire réapparaître le rappel dans 24 heures ou jusqu'à ce que la cartouche puisse être remplacée.

Vous pouvez commander des cartouches de purification d'air Sub-Zero en ligne à subzero.com/store. Pour toute question, communiquez avec le service à la clientèle de Sub-Zero à 800-222-7820.

Pour remplacer la cartouche de purification d'air :

- 1 Pour accéder à la cartouche de purification d'air, glissez la porte vers la gauche.
- 2 Agrippez le couvercle noir sur le dessus et faites pivoter vers le bas. La cartouche sort et peut alors être retirée. Reportez-vous à l'illustration ci-dessous.
- 3 Retirez la nouvelle cartouche de l'emballage et insérez-la en pointant le connecteur vers le bas.
- 4 Fermez le couvercle noir, puis glissez la porte vers la droite.
- 5 Suivez les directives se trouvant sur le panneau de commande. Le cycle de vie de la cartouche se réinitialise pour une durée d'environ un an.



Cartouche de purification d'air

Système de filtration d'eau

Le système de filtration d'eau fournit de l'eau filtrée à la machine à glaçons et au distributeur d'eau (modèles avec distributeur) pour produire de l'eau et de la glace qui ont bon goût.

REMARQUE IMPORTANTE : Lorsque vous utilisez le système de filtration d'eau pour la première fois, il est nécessaire d'éliminer tout air du système et de laisser le filtre faciliter le nettoyage des conduites d'eau. Pour les modèles sans distributeur, jetez les deux premiers bacs pleins de glaçons. Pour les modèles à distributeur, faites couler plusieurs verres d'eau pendant une période de deux minutes.

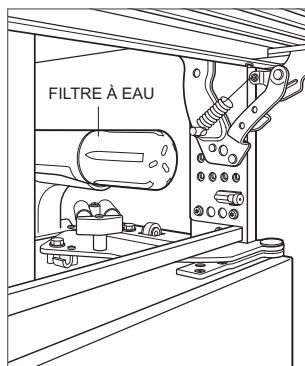
Si le système de filtration d'eau n'est pas utilisé, il peut être mis en mode de dérivation du filtre à eau en retirant le filtre.

Le message « Snooze/Refresh » s'affiche sur le panneau de commande lorsque le filtre doit être remplacé. Touchez à « Snooze » pour faire réapparaître le rappel dans 24 heures ou jusqu'à ce que le filtre puisse être remplacé.

Des filtres à eau Sub-Zero de rechange peuvent être commandés en ligne à subzero.com/store. Pour toute question, communiquez avec le service à la clientèle de Sub-Zero à 800-222-7820.

Pour remplacer le filtre à eau :

- 1 Pour accéder au filtre à eau, tirez sur le rebord inférieur de la grille et faites-le pivoter vers le haut. Reportez-vous à l'illustration ci-dessous.
- 2 Pour retirer l'ancien filtre, faites-le pivoter dans le sens antihoraire d'un quart de tour et tirez-le vers l'extérieur. Il est normal qu'une petite quantité d'eau s'écoule lorsque le filtre est retiré.
- 3 Retirez le nouveau filtre de l'emballage et retirez le capuchon en plastique.
- 4 Insérez le nouveau filtre dans le collecteur et tournez dans le sens horaire.
- 5 Suivez les directives se trouvant sur le panneau de commande. Le cycle de vie du filtre se réinitialise pour une durée d'environ un an.



Retrait du filtre à eau

Données sur le système de filtration d'eau Sub-Zero

AVIS IMPORTANT : Lisez cette fiche de données sur la performance attentivement et comparez les capacités de cette unité avec vos besoins réels en traitement d'eau. Avant d'acheter une unité de traitement d'eau, il est recommandé de faire tester votre alimentation d'eau pour déterminer vos besoins réels en traitement d'eau.



Système testé et certifié par NSF International contre les normes NSF/ANSI 42 et 53 pour la réduction des substances énumérées ci-dessous.

La concentration des substances indiquées dans l'eau entrant dans le système a été réduite à une concentration inférieure ou égale à la limite permise pour l'eau quittant le système, comme il est précisé dans les normes 42/53 NSF/ANSI 42/53.

Réduction des contaminants*	Concentration influente moyenne	Concentration de provocation précisée par la NSF	% moyen de réduction	Concentration en eau du produit		Exigences de réduction NSF	Rapport de test NSF
				Moyenne	Max. permis		
Chlore, goût et odeur	2,0 mg/l	2,0 mg/l ± 10 %	97,5 %	0,05 mg/l	S/O	≥50 %	J-00056501
Particules normales de catégorie I, ≥0,5 à <1,0 µm	13 666 667 pts/ml	Au moins 10 000 particules/ml	98,9 %	143 333 pts/ml	S/O	≥85 %	J-00056506
Amiante	96 MF/l	10 ⁷ à 10 ⁸ fibres/l ¹	>99 %	<1 MF/l	S/O	≥99 %	J-00056511
Atrazine	0,010 mg/l	0,009 mg/l ± 10 %	89,3 %	0,001 mg/l	0,003 mg/l	S/O	J-00056512
Benzène	0,014 mg/l	0,015 mg/l ± 10 %	96,3 %	0,005 mg/L	0,005 mg/l	S/O	J-00056535
Carbofurane	0,08 mg/l	0,08 mg/l ± 10 %	86,6 %	0,01 mg/L	0,04 mg/l	S/O	J-00056537
Spore**	122 500 spores/l	Min. 50 000 spores/l	99,99 %	1 spore/l	S/O	≥99,99 %	J-00056513
Plomb à pH de 6,5	0,153 mg/l	0,15 mg/l ± 10 %	99,3 %	0,001 mg/L	0,010 mg/l	S/O	J-00056515
Plomb à pH de 8,5	0,150 mg/l	0,15 mg/l ± 10 %	99,3 %	0,001 mg/l	0,010 mg/l	S/O	J-00058784
Lindane	0,002 mg/l	0,002 mg/l ± 10 %	97,8 %	0,00004 mg/l	0,0002 mg/l	S/O	J-00058969
Mercure à pH de 6,5	0,006 mg/l	0,006 mg/l ± 10 %	95 %	0,0003 mg/l	0,002 mg/l	S/O	J-00058785
Mercure à pH de 8,5	0,006 mg/l	0,006 mg/l ± 10 %	88 %	0,0007 mg/l	0,002 mg/l	S/O	J-00058783
Toxaphène	0,015 mg/l	0,015 mg/l ± 10 %	93,2 %	0,001 mg/l	0,003 mg/l	S/O	J-00056531
Turbidité	10,8 uTN	11 ± 1 uTN	98,7 %	0,153 uTN	0,5 uTN	S/O	J-00058972
P-dichlorobenzène	0,215 mg/l	0,225 mg/l ± 10 %	99,7 %	0,0005 mg/l	0,075 mg/l	S/O	J-00056538

*Réduction des contaminants déterminée par les essais de la NSF. **Basé sur l'usage d'ookystes *Cryptosporidium Parvum*. ¹Fibres supérieures à 10 µm de longueur.

DIRECTIVES D'APPLICATION / PARAMÈTRES D'ALIMENTATION EN EAU

Capacité : certifié pour jusqu'à 2 839 l (750 gallons); jusqu'à douze mois

Débit de service : 0,78 gal/min (2,95 l/min)

Alimentation en eau : eau potable

Pression d'eau : 35–120 lb/po² (2,8–8,2 bars)




Température de l'eau : 40–100 °F (5–40 °C)

REMARQUES SPÉCIALES

- Des cartouches filtrantes de rechange Sub-Zero peuvent être commandées en ligne à subzero.com/store, ou communiquez avec le service à la clientèle au 800-222-7820.
- Par conséquent, il est recommandé de remplacer la cartouche filtrante lorsque l'indicateur s'affiche, s'il y a une réduction perceptible de pression, les glaçons deviennent creux ou tous les 12 mois, la première de ces éventualités prévalant. Des renseignements sur le prix du filtre de rechange se trouvent à subzero.com/store.
- Ce système doit être installé, utilisé et maintenu et les filtres remplacés au besoin afin que le produit fonctionne comme il est annoncé.
- Veuillez noter que bien que les essais aient été effectués dans des conditions de laboratoire normales, la performance réelle peut varier. Les contaminants ou les autres substances éliminés ou réduits par ce système de traitement d'eau ne se trouvent pas nécessairement dans votre eau.

Machine à glaçons

Pour faire fonctionner la machine à glaçons :

- 1 Pour mettre la machine à glaçons en marche, touchez à  sur l'écran des options. Un glaçon unique mis en évidence signifie que la machine à glaçons est en marche.  signifient que la fonction maximum de glaçons est en marche.
- 2 Pour désactiver la machine à glaçons, enfoncez  jusqu'à ce qu'aucun glaçon ne soit mis en évidence.


Après le démarrage initial, jetez les premiers quelques lots de glaçons. Les glaçons peuvent contenir des impuretés provenant des nouvelles connexions de plomberie.



La fonction production maximale de glaçons augmente la production de glaçons de jusqu'à 30 % pendant une période de 24 heures. Durant cette période, certains composants peuvent fonctionner à une vitesse plus rapide entraînant une tonalité audible unique. Cela est normal et cessera après une période de 24 heures ou lorsque le contenant à glace est plein.

Les glaçons peuvent se fusionner s'ils ne sont pas utilisés régulièrement. Pour éviter ceci, jetez les glaçons et laissez la machine à glaçons se ravitailler.



Désactivez la machine à glaçons si le bac à glaçons est retiré pendant une longue période. L'unité est munie d'un délai de trois minutes lorsque le bac à glaçons est retiré pour s'assurer que des cubes ne soient pas expulsés avant que la machine à glaçons ne soit désactivée ou le bac à glaçons ne soit remis en place.

Mode de nuit

Le mode de nuit réduit automatiquement la luminosité de l'éclairage intérieur lorsqu'un faible éclairage ambiant est détecté.  s'affiche dans le coin supérieur gauche de l'affichage du panneau de commande lorsque le mode de nuit est activé.

 s'affiche lorsqu'un faible éclairage ambiant est détecté. La luminosité de l'éclairage intérieur demeure réduite pendant trois minutes, même si l'éclairage ambiant change. Enfoncez  pour augmenter la luminosité.

Pour activer ou désactiver le mode de nuit :

- 1 Touchez à .
- 2 Touchez à .

Shabbath

Cet appareil est certifié par Star-K pour répondre à des règlements religieux rigoureux relativement à des directives précises se trouvant sur www.star-k.org.

Le mode Shabbath réduit automatiquement la luminosité de l'éclairage intérieur. Les lumières demeurent allumées lorsque la porte est fermée. Les lumières ne peuvent pas être éteintes en mode Shabbath.

Le mode Shabbath se désactive automatiquement après une période de 74 heures. Toutes les préférences d'éclairage reviennent au réglage précédent lorsque le mode Shabbath est désactivé.

Pour activer le mode Shabbath :

- 1 Touchez à .
- 2 Enfoncez  pendant trois secondes.

Pour désactiver le mode Shabbath :

- 1 Enfoncez  pendant trois secondes.

Distributeur d'eau et de glaçons

Le réservoir d'eau interne de 40 oz (1,2 l) doit être rempli avant que l'eau puisse s'écouler du distributeur. Enfoncez la palette du distributeur d'eau pendant une période pouvant atteindre 60 secondes jusqu'à ce que l'eau commence à s'écouler.

▲ MISE EN GARDE

Limitez le fonctionnement du distributeur d'eau et de glaçons à sept minutes ou moins.

DISTRIBUTEUR INTERNE

Le distributeur d'eau et de glaçons interne est conçu pour accommoder un verre de 16 oz (0,5 l). La grille d'eau amovible située sous le distributeur recueille les gouttes d'eau. Reportez-vous à l'illustration ci-dessous.

FONCTION

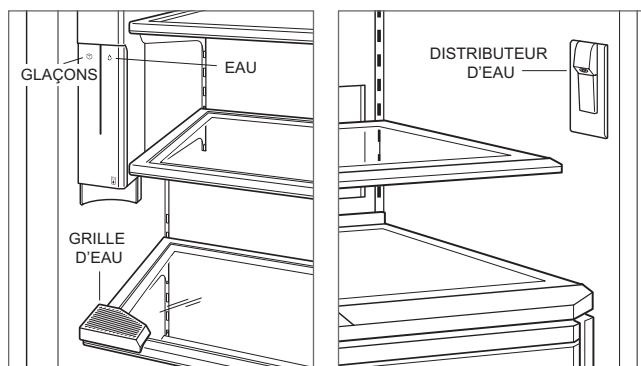


Enfoncez pour distribuer des glaçons.



Enfoncez pour distribuer de l'eau.

Pour les distributeurs d'eau seulement, enfoncez la palette avec un verre pour faire écouler l'eau. Le débit d'eau s'arrête lorsque le verre est retiré. Reportez-vous à l'illustration ci-dessous.



Distributeur d'eau et de glaçons Distributeur d'eau interne

DISTRIBUTEUR EXTERNE

L'eau et les glaçons sont distribués par la porte.

La grille d'eau amovible située sous le distributeur recueille les gouttes d'eau. Reportez-vous à l'illustration ci-dessous. Il ne s'agit pas d'un drain. Ne versez pas de l'eau dans la grille d'eau.

Pour distribuer de grandes quantités d'eau et de glaçons, utilisez le distributeur situé à l'intérieur du réfrigérateur. Reportez-vous à l'illustration ci-dessous.

FONCTION



Activation ou désactivation de la lumière.



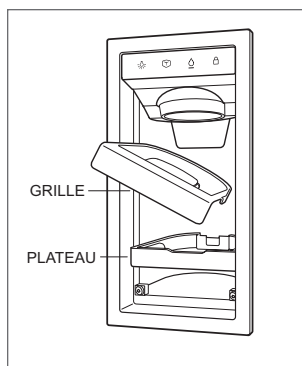
Touchez pour sélectionner glaçons, puis enfoncez la palette avec un verre pour distribuer.



Touchez pour sélectionner eau, puis enfoncez la palette avec un verre pour distribuer.



Tenez enfoncé pour verrouiller et déverrouiller le distributeur.



Grille d'eau amovible

Préservation des aliments

Conseils de préservation des aliments—Pour réduire le risque de détérioration, minimisez la manipulation des aliments. Rangez les fruits et les légumes séparément. Rangez les viandes dans leur emballage original; une fois l'emballage ouvert, emballez les restes hermétiquement.

Gaz éthylène—De nombreux aliments frais émettent du gaz éthylène, un composé qui se produit naturellement et qui accélère le mûrissement et la détérioration des aliments. Les réfrigérateurs Sub-Zero sont offerts avec un système de purification de l'air (fondé sur une technologie développée par la NASA) qui élimine le gaz éthylène et les odeurs de l'air toutes les 20 minutes. Pour réduire la détérioration, ne rangez pas les fruits et les légumes qui produisent du gaz éthylène avec ceux qui sont sensibles à l'éthylène.

e⁺ Indique un aliment qui produit du gaz éthylène.

e⁻ Indique un aliment qui est sensible au gaz éthylène.

Humidité—L'humidité optimale varie selon les aliments. Pour garder les aliments frais plus longtemps, rangez-les dans les zones désignées dans les tableaux suivants.

ALIMENT	CODE E	RÉFRIGÉRATEUR	CONGÉLATEUR
LÉGUMES FRAIS			
Artichauts		1 à 2 semaines	La congélation des légumes frais n'est pas recommandée
Asperges		2 à 3 semaines	
Germes de soja		7 à 9 jours	
Haricots (verts ou de Lima)	e ⁻	7 à 10 jours	
Betteraves sans queues		3 à 4 mois	
Pak-choï	e ⁻	3 semaines	
Brocoli	e ⁻	1 à 2 semaines	
Chou	e ⁻	3 à 6 semaines	
Carottes	e ⁻	1 à 5 mois	
Chou-fleur	e ⁻	3 à 4 semaines	
Céleri		1 à 2 mois	
Maïs		5 à 8 jours	
Concombres	e ⁻	10 à 14 jours	
Aubergine*	e ⁻	1 à 2 semaines	
Herbes fraîches	e ⁻	1 à 3 semaines	
Ail*		6 à 7 mois	
Gingembre*		6 mois	
Pois patate		1 à 2 mois	
Chou vert	e ⁻	1 à 2 mois	
Poireaux		2 mois	
Laitue	e ⁻	2 à 3 semaines	
Champignons		1 à 2 semaines	
Oignons		1 à 6 mois	
Persil	e ⁻	1 à 2 mois	
Pois (sugar snap, mange-tout)	e ⁻	1 à 2 semaines	
Poivrons (d'Amérique ou de Cayenne)	e ⁻	2 à 3 semaines	
Pommes de terre*		5 à 10 mois	
Radis		1 à 2 mois	
Échalotes		6 mois	
Épinard	e ⁻	10 à 14 jours	
Courge (pelure souple)	e ⁻	1 à 2 semaines	
Tomates d'arbre		7 à 10 jours	
Châtaignes d'eau		2 à 4 mois	

*Ne pas réfrigérer.

Préservation des aliments

ALIMENT	CODE E	RÉFRIGÉRATEUR	CONGÉLATEUR
FRUITS FRAIS			
Pommes	e ⁺	1 à 2 mois	La congélation des fruits frais n'est pas recommandée
Abricots	e ⁺	1 à 2 semaines	
Avocats [†]	e ⁺	2 à 4 semaines	
Bananes*	e ⁻	1 à 4 semaines	
Bleuets		10 à 18 jours	
Cantaloup	e ⁺	2 à 3 semaines	
Cerises		2 à 3 semaines	
Figues	e ⁺	7 à 10 jours	
Pamplemousse		6 à 8 semaines	
Raisins		2 à 3 semaines	
Melon miel	e ⁻	3 à 4 semaines	
Kiwi	e ⁻	4 à 6 semaines	
Citrons		1 à 6 mois	
Limes		6 à 8 semaines	
Mangues [†]	e ⁺	2 à 3 semaines	
Nectarines	e ⁺	2 à 4 semaines	
Oranges		3 à 8 semaines	
Pêches		2 à 4 semaines	
Poires [†]	e ⁺	2 à 3 semaines	
Ananas		2 à 4 semaines	
Prunes	e ⁺	2 à 5 semaines	
Framboises		3 à 6 jours	
Fraises		7 à 10 jours	
Tomates*	e ⁺	1 à 3 semaines	
ŒUFS ET CHARCUTERIE			
Œufs (frais)		3 semaines	Il n'est pas recommandé de congeler les œufs et la charcuterie.
Succédané d'œuf (ouvert)		3 jours	
Salade aux œufs, de thon ou de jambon		3 à 5 jours	
Viandes froides, tranchées minces		1 à 2 jours	

*Ne pas réfrigérer. [†]Faire mûrir sur le comptoir avant de réfrigérer.

ALIMENT	CODE E	RÉFRIGÉRATEUR	CONGÉLATEUR
SOUPE			
Ragoût avec viande		3 à 4 jours	2 à 3 mois
Soupe aux légumes		3 à 4 jours	2 à 3 mois
VIANDES, POISSONS ET VOLAILLES			
Bacon		7 jours	1 mois
Steaks, rôti de bœuf		3 à 5 jours	6 à 12 mois
Morue noire, perche		2 jours	2 à 3 mois
Bœuf salé		5 à 7 jours	1 mois
Jambon (entier)		7 jours	1 à 2 mois
Hamburger		1 à 2 jours	3 à 4 mois
Plats de viande (cuite)		3 à 4 jours	2 à 3 mois
Porc et côtelettes de porc		3 à 5 jours	4 à 6 mois
Volaille (cuite)		3 à 4 jours	4 à 6 mois
Volaille (crue)		1 à 2 jours	9 mois
Saumon, maquereau		4 jours	5 à 9 mois
Saucisse (crue)		1 à 2 jours	1 à 2 mois
Crevettes		1 jour	6 mois
Saucisses, galettes fumées pour petit-déjeuner		7 jours	1 à 2 mois
PRODUITS LAITIERS			
Beurre		3 mois	1 an
Fromage cottage		1 à 2 semaines	4 semaines
Fromage en crème		2 semaines	Pas recommandé
Fromage fondu		3 à 4 semaines	6 à 8 mois
Lait entier ou écrémé		1 à 2 semaines	Pas recommandé
Yaourt		1 mois	Pas recommandé

Nettoyage

EXTÉRIEUR EN ACIER INOXYDABLE

Utilisez un nettoyant non abrasif pour l'acier inoxydable et appliquez-le avec un chiffon doux non pelucheux. Pour faire ressortir le lustre naturel, essuyez légèrement la surface avec un chiffon en microfibres humecté d'eau suivi d'un chamois à polir sec. Suivez toujours le grain de l'acier inoxydable.

NETTOYAGE INTÉRIEUR

Pour nettoyer les surfaces intérieures et toutes les pièces amovibles, lavez avec une solution douce de savon, d'eau et de bicarbonate de soude. Rincez et séchez à fond. Évitez de mettre de l'eau sur les lumières et le panneau de commande.

▲ MISE EN GARDE

N'utilisez pas du vinaigre, de l'alcool à friction ou d'autres nettoyants à base d'alcool sur toute surface intérieure.

VACANCES

Pour des vacances prolongées, coupez l'alimentation sur le panneau de commande. Videz l'unité et bloquez les portes en position légèrement ouverte pour laisser de l'air frais circuler et garder l'intérieur sec. Le filtre à eau doit être remplacé avant la mise en marche.

Nettoyage

CONDENSATEUR

⚠ MISE EN GARDE

Avant de nettoyer le condensateur, coupez l'alimentation sur le panneau de commande. Portez des gants pour éviter toute blessure causée par les ailettes tranchantes du condensateur.

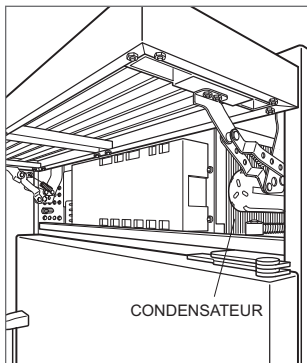
⚠ MISE EN GARDE

L'omission de nettoyer le condensateur pourrait entraîner une perte de température, une défaillance mécanique ou des dommages.

Le condensateur est situé derrière la grille rabattable. Nettoyez le condensateur tous les six à douze mois.

Pour nettoyer le condensateur :

- 1 Éteignez l'unité sur le panneau de commande.
- 2 Tirez le rebord inférieur de la grille et basculez-le vers le haut. Reportez-vous à l'illustration ci-dessous.
- 3 Utilisez une brosse à soie souple et un aspirateur pour éliminer la poussière et les peluches de la zone du condensateur. Pour éviter d'endommager les ailes du condensateur, passez l'aspirateur dans la direction des ailettes.



Emplacement du condensateur

Dépannage

Avant de communiquer avec Sub-Zero, consultez le site subzero-wolf.com/assistance ou utilisez ces conseils utiles pour éviter d'avoir à demander une visite de service.

FONCTIONNEMENT DE L'UNITÉ

Pas de lumière ou de refroidissement.

- 1 Assurez-vous que l'unité est sous tension.
- 2 Vérifiez l'alimentation électrique vers l'unité et que le disjoncteur de la résidence est en marche.

Pas de lumière dans le réfrigérateur ou le congélateur.

- 1 La porte peut avoir été laissée entrouverte, ce qui a désactivé les lumières pour éliminer l'excédent de chaleur. Si les lumières sont éteintes, fermez la porte pendant une heure. Si les lumières sont toujours éteintes, communiquez avec le service certifié par l'usine Sub-Zero.
- 2 L'éclairage intérieur à DEL doit être remplacé par le service certifié par l'usine Sub-Zero.

Pas de lumière sur les tablettes du réfrigérateur.

- 1 Vérifiez que la tablette est bien installée dans les pistes le long de la paroi arrière.
- 2 Confirmez qu'il n'y a rien (un grand récipient ou un aliment) qui empêche la tablette de s'enclencher dans les pistes le long de la paroi arrière.

Givre, condensation ou accumulation de glace à l'intérieur de l'unité.

- 1 Vérifiez que le condensateur est propre.
- 2 Vérifiez que la porte se ferme correctement.
- 3 Vérifiez que la porte n'a pas été laissée entrouverte.
- 4 Vérifiez que le joint de la porte n'a pas de coupures ou déchirures. Le cas échéant, communiquez avec le service certifié par l'usine Sub-Zero.
- 5 Si le glaçage est épais, éteignez l'appareil et utilisez un sèche-cheveux pour faire fondre la glace. Le sèche-cheveux doit être réglé sur faible et en mouvement constamment. Une fois la glace fondue, essuyez l'eau avec un chiffon ou une serviette en papier.

Températures élevées, l'unité fonctionne de façon excessive ou l'unité émet trop de chaleur.

- 1 Vérifiez que le condensateur est propre.
- 2 Vérifiez que la porte se ferme correctement.
- 3 Vérifiez que la porte n'a pas été laissée entrouverte.
- 4 Des températures ambiantes élevées peuvent faire fonctionner le compresseur plus longtemps.
- 5 Si l'affichage de température indique 38° et 0°, mais ne se refroidit pas, l'unité peut se trouver en mode de salle d'exposition. Communiquez avec le service à la clientèle de Sub-Zero au 800-222-7820.

L'eau ne s'écoule pas du distributeur.

- 1 Attendez une heure, puis essayez le distributeur à nouveau. Communiquez avec le service à la clientèle de Sub-Zero au 800-222-7820 si cela ne résout pas le problème.

Dépannage

PRODUCTION DE GLAÇONS

Pas de glace.

- 1 Vérifiez que l'indicateur de glaçons s'affiche sur l'écran du panneau de commande.
- 2 Vérifiez que la machine à glaçons est en marche depuis au moins 24 heures.
- 3 Vérifiez que la température du congélateur se trouve près de 0 °F.
- 4 Vérifiez que le bac à glaçons est correctement installé.
- 5 Vérifiez que le bras de la machine à glaçons se trouve en position abaissée.
- 6 Vérifiez que de l'eau est alimentée vers l'unité.
- 7 Vérifiez que le filtre à eau a été remplacé au cours des douze derniers mois et qu'il est correctement installé.
- 8 Vérifiez que le filtre à eau a été retiré si un système de filtration à osmose inverse est utilisé.

Les glaçons sont bleus ou verts.

- 1 Possibilité de corrosion de la conduite d'alimentation en cuivre. Communiquez avec un plombier pour la faire nettoyer ou remplacer.

Flocons noirs dans les glaçons.

- 1 Cessez d'utiliser et communiquez avec le service certifié par l'usine Sub-Zero.

Mauvais goût.

- 1 Décongelez le congélateur et nettoyez avec de l'eau et du savon.
- 2 Placez des marcs de café ou des briquettes de charbon dans le congélateur pour absorber l'odeur.

Glaçons creux.

- 1 Nettoyez le condensateur. Communiquez avec le service certifié par l'usine Sub-Zero si cela ne corrige pas le problème.

ODEUR

- 1 Nettoyez l'unité avant de l'utiliser la première fois. Cela éliminera les odeurs qui ont pu être captées lors de l'expédition.
- 2 Remplacez la cartouche de purification d'air.
- 3 Nettoyez l'unité et les tablettes à fond.
- 4 Couvrez les aliments qui ne sont pas couverts.

Service

- Préservez la qualité intégrée dans votre produit en communiquant avec un service certifié par l'usine Sub-Zero. Pour obtenir le nom du centre de service Sub-Zero certifié par l'usine le plus près de chez vous, consultez la section Assistance produits de notre site Web, subzero.com/assistance ou appelez le service à la clientèle de Sub-Zero au 800-222-7820.
- Avant d'appeler pour obtenir du service, ayez en main les numéros de modèle et de série de votre unité. Les deux numéros sont indiqués sur la plaque signalétique du produit. Reportez-vous aux pages 6 et 7 pour connaître l'emplacement de la plaque signalétique.
- Pour les besoins de la garantie, vous devrez aussi avoir la date d'installation et le nom de votre dépositaire Sub-Zero autorisé. Ces renseignements doivent être notés à la page 3 de ce guide.

Garantie limitée résidentielle Sub-Zero

POUR UTILISATION RÉSIDENNELLE

GARANTIE COMPLÈTE DE DEUX ANS*

Pendant deux ans à compter de la date d'installation originale, cette garantie de produit Sub-Zero couvre toutes les pièces et la main-d'œuvre pour réparer ou remplacer, selon un usage résidentiel normal, toute partie du produit qui s'avérerait défectueuse en vertu des matériaux ou de la fabrication. Le service fourni par Sub-Zero en vertu de la garantie ci-dessus doit être effectué par un centre de service Sub-Zero certifié par l'usine, à moins d'être précisé autrement par Sub-Zero, Inc. Le service sera fourni pendant les heures normales d'ouverture.

GARANTIE COMPLÈTE DE CINQ ANS SUR LE SYSTÈME SCELLÉ

Pendant cinq ans à compter de la date d'installation originale, cette garantie de produit Sub-Zero couvrira toutes les pièces et la main-d'œuvre pour réparer ou remplacer, selon un usage résidentiel normal, les pièces qui s'avèreraient défectueuses en vertu des matériaux ou de la fabrication : le compresseur, le condensateur, l'évaporateur, le déshydrateur et toute la tuyauterie de connexion. Le service fourni par Sub-Zero en vertu de la garantie ci-dessus doit être effectué par un centre de service Sub-Zero certifié par l'usine, à moins d'être précisé autrement par Sub-Zero, Inc. Le service sera fourni pendant les heures normales d'ouverture.

GARANTIE LIMITÉE DE DOUZE ANS SUR LE SYSTÈME SCELLÉ

Pendant douze ans à compter de la date originale d'installation, Sub-Zero réparera ou remplacera les pièces suivantes qui s'avèreront défectueuses en vertu des matériaux ou de la fabrication : le compresseur, le condensateur, l'évaporateur, le déshydrateur et toute la tuyauterie de connexion. Si le propriétaire utilise le service Sub-Zero certifié en usine, le fournisseur de service réparera ou remplacera ces pièces et le propriétaire paiera pour tous les autres frais, y compris la main-d'œuvre. Si le propriétaire utilise un service non certifié, il doit communiquer avec Sub-Zero, Inc. (avec les renseignements ci-dessous) pour obtenir des pièces réparées ou de rechange. Sub-Zero ne remboursera pas le propriétaire pour les pièces achetées d'un service non certifié ou d'autres sources.

CONDITIONS S'APPLIQUANT À CHAQUE GARANTIE

La garantie s'applique uniquement aux produits installés pour un usage résidentiel normal. La garantie s'applique seulement aux produits installés dans l'un des cinquante états des États-Unis, dans le District of Columbia ou les dix provinces du Canada. Cette garantie ne couvre pas les pièces ou la main-d'œuvre pour corriger tout défaut causé par de la négligence, un accident ou une utilisation, un entretien, une installation, un service ou une réparation inappropriés.

LES REMÈDES DÉCRITS CI-DESSUS POUR CHAQUE GARANTIE SONT LES SEULS QUI SONT OFFERTS PAR SUB-ZERO, INC. EN VERTU DE CETTE GARANTIE OU EN VERTU DE TOUTE GARANTIE DÉCOULANT DE L'OPÉRATION DE LA LOI. SUB-ZERO, INC. NE SERA PAS RESPONSABLE DES DOMMAGES INDIRECTS OU CONSÉCUTIFS DÉCOULANT DE LA VIOLATION À CETTE GARANTIE OU À TOUTE GARANTIE, EXPRESSE, IMPLICITE OU LÉGALE.

Certaines provinces ne permettent pas l'exclusion ou la restriction des dommages indirects ou consécutifs, par conséquent, la limite ou l'exclusion ci-dessus peut ne pas s'appliquer à votre cas. Cette garantie vous confère des droits légaux précis et vous pouvez aussi avoir d'autres droits légaux qui peuvent varier d'une province à l'autre.

Pour obtenir des pièces ou du service et le nom du centre de service Sub-Zero certifié par l'usine le plus près de chez vous, communiquez avec Sub-Zero, Inc., P.O. Box 44848, Madison, WI 53744 É.-U.; consultez la section Assistance produits de notre site Web, subzero.com, envoyez-nous un courriel à customerservice@subzero.com ou composez le 800-222-7820.

*L'acier inoxydable (les portes, les panneaux, les poignées, les cadres et les surfaces intérieures) est couvert par une garantie limitée de 60 jours sur les pièces et la main d'œuvre pour toute défectuosité cosmétique.

*Les cartouches du filtre à eau et de purification d'air de rechange ne sont pas couvertes par la garantie du produit.





SUB-ZERO, INC. P.O. BOX 44848 MADISON, WI 53744 SUBZERO.COM 800.222.7820

9045823 REV-D

11/2022

