

# 30" Gas Cooktop

800 Series – Black w/Black Stainless Knobs NGM8048UC



**BOSCH**  
Invented for life



## NGM8048UC

Black w/Black Stainless Knobs

Also available in:  
Stainless Steel  
NGM8058UC

**The 800 Series gas cooktop with FlameSelect® is a better way to cook with gas and delivers precision flame levels for consistent results.**

### Features & Benefits

FlameSelect® offers 9 distinct power levels and delivers precision flame height every time for consistent, repeatable results.

Dual-ring power burner has 2 rings for low and high flame settings so you can go from simmer to sear with ease.

Dishwasher safe heavy-duty enameled cast iron grates makes cleanup simple and convenient.

OptiSim® burner offers more flame control at the lowest settings for precise simmering and melting.

Control knob with red LED light line indicates if burner is on and the burner's residual heat.

### General Properties

No. of burners	5
Knob color	Black Stainless Appearance
Control location	Front-Center
Sealed burners	Yes
Valves	Five 9-Level Gas Step Valves
Ignition system	Electronic; Thermocouple Flame Monitor Control
Cooktop surface material	Black Porcelain Enamel
Grate material	Cast Iron
Grate features	Continuous Grates, Dishwasher Safe

### Element Performance

Total BTU load (NG / LP)	40,700 / 39,400
Power of front left burner (NG / LP)	3,400 / 3,400
Power of back left burner (NG / LP)	5,000 / 5,000
Power of center burner (NG / LP)	17,000 / 15,700
Power of back right burner (NG / LP)	10,300 / 10,300
Power of front right burner (NG / LP)	5,000 / 5,000

### Technical Details

Circuit breaker	15 A
Volts	120 V
Frequency	60 Hz
Plug type	3-Prong
Power cord length	40"
Fuel type	Natural Gas (Factory Set)
Convertible to LP (kit required)	Yes

### Dimensions & Weight

Overall appliance dimensions (HxWxD)	3 3/4" x 31" x 21 1/4"
Required cutout size (HxWxD)	2" x 28 15/16" x 19 1/8"
Minimum distance from counter front	1 7/8"
Minimum distance from rear wall	3"
Net weight	41 lbs

### Accessories – Included

Included	LP Conversion Kit, OptiSim® Cap
----------	---------------------------------

### Accessories – Optional



**HEZ9GR58UC**  
Griddle



**HEZ298102**  
Wok Ring



**FlameSelect**

\*To be fully ADA compliant, these units must be installed according to ADA guidelines. Please check current ADA requirements for guidance on installation.

**Accessories:** To purchase Bosch accessories, cleaners & parts please visit [www.bosch-home.com/us/store](http://www.bosch-home.com/us/store) or call 1-800-944-2904 (Mon to Fri 5 am to 6 pm PST, Sat 6 am to 3 pm PST).

**Notes:** All height, width and depth dimensions are shown in inches. BSH reserves the absolute and unrestricted right to change product materials and specifications, at any time, without notice. Consult the product's installation instructions for final dimensional data and other details prior to making cutout.

**Warranties:** Please see Use & Care manual or Bosch website for statement of limited warranty.

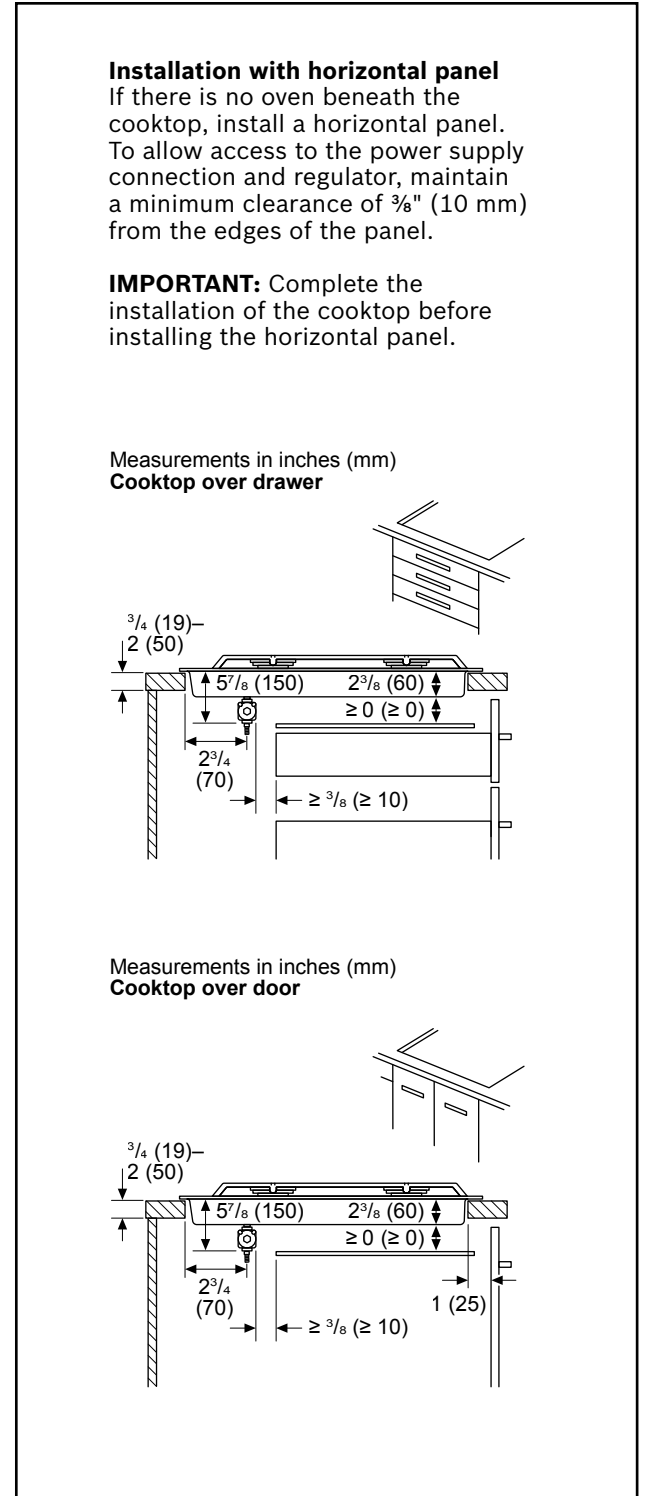
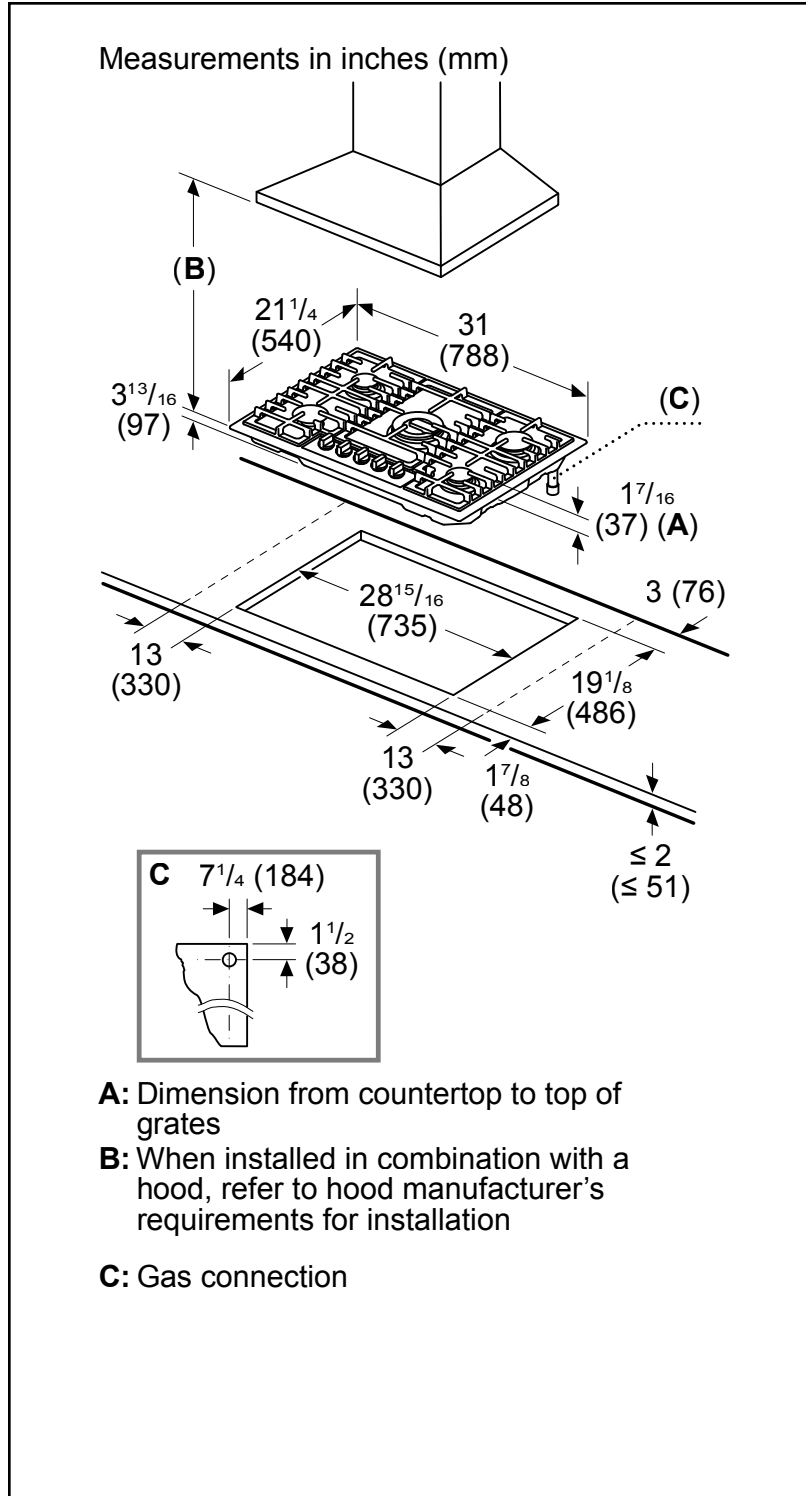
**For more information on our entire line of products, go to [www.bosch-home.com/us](http://www.bosch-home.com/us) or call 1-800-944-2904**

© BSH Home Appliances Corporation. All rights reserved. Bosch is a registered trademark of Robert Bosch GmbH.

# 30" Gas Cooktop

800 Series – Black w/Black Stainless Knobs NGM8048UC

## Installation Details



**Accessories:** To purchase Bosch accessories, cleaners & parts please visit [www.bosch-home.com/us/store](http://www.bosch-home.com/us/store) or call 1-800-944-2904 (Mon to Fri 5 am to 6 pm PST, Sat 6 am to 3 pm PST).

**Notes:** All height, width and depth dimensions are shown in inches. BSH reserves the absolute and unrestricted right to change product materials and specifications, at any time, without notice. Consult the product's installation instructions for final dimensional data and other details prior to making cutout.

**Warranties:** Please see Use & Care manual or Bosch website for statement of limited warranty.

**For more information on our entire line of products, go to [www.bosch-home.com/us](http://www.bosch-home.com/us) or call 1-800-944-2904**

© BSH Home Appliances Corporation. All rights reserved. Bosch is a registered trademark of Robert Bosch GmbH.

# 30" Gas Cooktop

800 Series – Black w/Black Stainless Knobs NGM8048UC

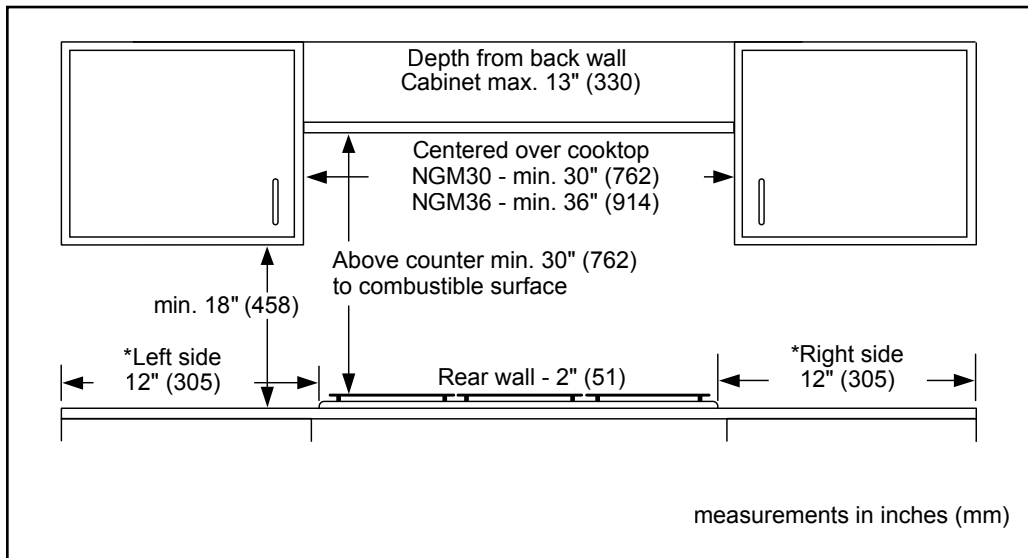
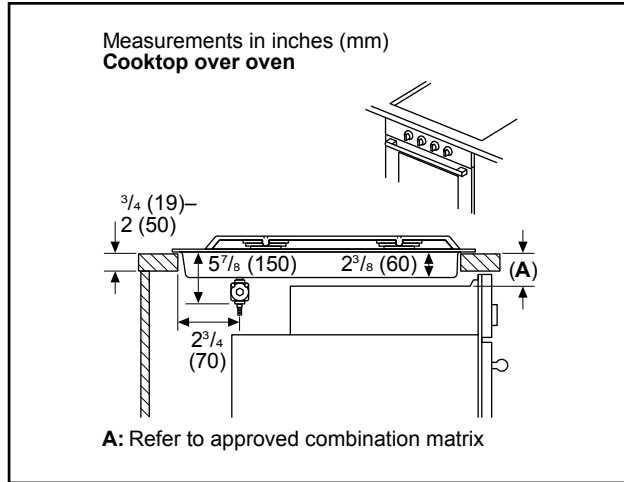


**BOSCH**

Invented for life



## Installation Details



**Accessories:** To purchase Bosch accessories, cleaners & parts please visit [www.bosch-home.com/us/store](http://www.bosch-home.com/us/store) or call 1-800-944-2904 (Mon to Fri 5 am to 6 pm PST, Sat 6 am to 3 pm PST).

**Notes:** All height, width and depth dimensions are shown in inches. BSH reserves the absolute and unrestricted right to change product materials and specifications, at any time, without notice. Consult the product's installation instructions for final dimensional data and other details prior to making cutout.

**Warranties:** Please see Use & Care manual or Bosch website for statement of limited warranty.

**For more information on our entire line of products, go to [www.bosch-home.com/us](http://www.bosch-home.com/us) or call 1-800-944-2904**

© BSH Home Appliances Corporation. All rights reserved. Bosch is a registered trademark of Robert Bosch GmbH.