

Washer

User manual

WW25B6900**

SAMSUNG



Contents

Safety information	4
What you need to know about the safety instructions	4
Important safety symbols	4
Important safety precautions	5
CALIFORNIA PROPOSITION 65 WARNING	5
Critical installation warnings	6
Installation cautions	7
Critical usage warnings	7
Usage cautions	9
Critical cleaning warnings	12
Regulatory notice	13
FCC Notice	13
IC Notice	14
Open Source Announcement	15
Installation	16
Unpacking your washer	16
What's included	17
Installation requirements	19
Step-by-step installation	23
Before you start	29
Initial setup	29
Run Calibration (recommended)	29
Laundry guidelines	30
Detergent drawer guidelines	32
Operations	35
Control panel	35
Operating a cycle	37
Cycle overview	38
Cycle chart	40
Options	42
Settings	44
Special features	46
SmartThings	47



Maintenance	48
Self Clean+	48
Emergency drain	49
Cleaning	50
Care for an extended period of non-use	54
Cleaning the exterior	54
Cleaning the interior	54
Troubleshooting	55
Checkpoints	55
Information codes	59
Specifications	62
Fabric care chart	62
Protecting the environment	63
Declaration of conformity	63
Specification sheet	63



Safety information

Congratulations on your new Samsung washer. This manual contains important information on the installation, use and care of your appliance. Please take some time to read this manual to take full advantage of your washer's many benefits and features.

What you need to know about the safety instructions

Please read this manual thoroughly to ensure that you know how to safely and efficiently operate the extensive features and functions of your new appliance. Please store the manual in a safe location close to the appliance for future reference. Use this appliance only for its intended purpose as described in this instruction manual.

Warnings and Important Safety Instructions in this manual do not cover all possible conditions and situations that may occur. It is your responsibility to use common sense, caution and care when installing, maintaining and operating your washer.

Because the following operating instructions cover various models, the characteristics of your washer may differ slightly from those described in this manual and not all warning signs may be applicable. If you have any questions or concerns, contact your nearest service centre or find help and information online at www.samsung.com.

Important safety symbols

What the icons and signs in this user manual mean:

WARNING

Hazards or unsafe practices that may result in **severe personal injury, death and/or property damage.**

CAUTION

Hazards or unsafe practices that may result in **personal injury and/or property damage.**

NOTE

Indicates that a risk of personal injury or material damage exists.

These warning signs are here to prevent injury to yourself and others.

Please follow them explicitly.

After reading this manual, store it in a safe place for future reference.

Read all instructions before using the appliance.

As with any equipment that uses electricity and moving parts, potential hazards exist.

To safely operate this appliance, familiarize yourself with its operation and exercise care when using it.

SAVE THESE INSTRUCTIONS



Important safety precautions

WARNING

To reduce the risk of fire, electric shock, or injury to persons when using your appliance, follow basic precautions, including the following:

1. Read all instructions before using the appliance.
2. Do not wash or dry articles that have been previously cleaned in, washed in, soaked in, or spotted with gasoline, dry-cleaning solvents, other flammable or explosive substances as they give off vapors that could ignite or explode.
3. Do not allow children to play on or in the appliance. Close supervision of children is necessary when the appliance is used near children.
4. Before the appliance is removed from service or discarded, remove the door to the washing or drying compartment.
5. Do not reach into the appliance if the drum is moving.
6. Do not install or store this appliance where it will be exposed to the weather.
7. Do not tamper with controls.
8. Do not repair or replace any part of the appliance or attempt any servicing unless specifically recommended in the user-maintenance instructions or in published userrepair instructions that you understand and have the skills to carry out.
9. Do not add gasoline, dry-cleaning solvents, or other flammable or explosive substances to the wash water. These substances give off vapors that could ignite or explode.
10. Under certain conditions, hydrogen gas may be produced in a hot water system that has not been used for 2 weeks or more. HYDROGEN GAS IS EXPLOSIVE. If the hot water system has not been used for such a period, before using a washer or combination washer-dryer, turn on all hot water faucets and let the water flow from each for several minutes. This will release any accumulated hydrogen gas. As the gas is flammable, do not smoke or use an open flame during this time.

CALIFORNIA PROPOSITION 65 WARNING

WARNING

Cancer and Reproductive Harm - www.P65Warnings.ca.gov.

SAVE THESE INSTRUCTIONS



Safety information

Critical installation warnings

WARNING

The installation of this appliance must be performed by a qualified technician or service company.

- Failure to do so may result in electric shock, fire, an explosion, problems with the appliance, or injury.

The appliance is heavy, therefore take care when lifting it.

Plug the power cord firmly into a wall socket that meets local electrical specifications. Use the socket for this appliance only, and do not use an extension cord.

- Sharing a wall socket with other appliances using a power strip or extending the power cord may result in electric shock or fire.
- Ensure that the power voltage, frequency, and current are the same as those of the product specifications. Failure to do so may result in electric shock or fire.

Remove all foreign substances such as dust or water from the power plug terminals and contact points using a dry cloth on a regular basis.

- Unplug the power plug and clean it with a dry cloth.
- Failure to do so may result in electric shock or fire.

Plug the power plug into the wall socket so that the cord is running towards the floor.

- If you plug the power plug into the socket in the opposite direction, the electric wires within the cable may be damaged and this may result in electric shock or fire.

Keep all packaging materials out of the reach of children as these may be dangerous.

- If a child places a bag over its head, it may suffocate.

When the appliance, power plug or power cord is damaged, contact your nearest service centre.

This appliance must be properly grounded.

Do not ground the appliance to a gas pipe, plastic water pipe, or telephone line.

- This may result in electric shock, fire, an explosion, or problems with the appliance.
- Never plug the power cord into a socket that is not grounded correctly and make sure that it is in accordance with local and national regulations.

Do not install this appliance near a heater or any inflammable material.

Do not install this appliance in a humid, oily or dusty location, or in a location exposed to direct sunlight or water (rain drops).

Do not install this appliance in a location exposed to low temperatures.

- Frost may cause the tubes to burst.

Do not install this appliance in a location where gas may leak.

- This may result in electric shock or fire.

SAVE THESE INSTRUCTIONS



Do not use an electric transformer.

- This may result in electric shock or fire.

Do not use a damaged power plug, damaged power cord, or loose wall socket.

- This may result in electric shock or fire.

Do not pull or excessively bend the power cord.

Do not twist or tie the power cord.

Do not hook the power cord over a metal object, place a heavy object on the power cord, insert the power cord between objects, or push the power cord into the space behind the appliance.

- This may result in electric shock or fire.

Do not pull the power cord when unplugging the power plug.

- Unplug the power plug by holding the plug.
- Failure to do so may result in electric shock or fire.

This appliance should be positioned so that the power plug, the water supply taps, and the drain pipes are accessible.

Installation cautions

CAUTION

This appliance should be positioned in such a way that the power plug is easily accessible.

- Failure to do so may result in electric shock or fire due to electric leakage.

Install your appliance on a solid, level floor that can support its weight.

- Failure to do so may result in abnormal vibrations, movement, noise, or problems with the appliance.

Critical usage warnings

WARNING

If the appliance is flooded, turn off the water & power supplies immediately and contact your nearest service centre.

- Do not touch the power plug with wet hands.
- Failure to do so may result in electric shock.

If the appliance generates a strange noise, a burning smell, or smoke, unplug the power cord immediately and contact your nearest service centre.

- Failure to do so may result in electric shock or fire.

In the event of a gas leak (such as propane gas, LP gas, etc.), ventilate immediately without touching the power plug. Do not touch the appliance or power cord.

- Do not use a ventilating fan.

SAVE THESE INSTRUCTIONS



Safety information

- A spark may result in an explosion or fire.

Do not let children play in or on the washer. In addition, when disposing of the appliance, remove the washer door lever.

- Children can suffocate to death if trapped inside the product.

Make sure to remove the packaging (sponge, styrofoam) attached to the bottom of the washer before using it.

Do not wash items contaminated with gasoline, kerosene, benzene, paint thinner, alcohol or other inflammable or explosive substances.

- This may result in electric shock, fire, or an explosion.

Do not open the washer door by force while it is operating (high-temperature washing/drying/spinning).

- Water flowing out of the washer may result in burns or cause the floor to be slippery. This may result in injury.
- Opening the door by force may result in damage to the appliance or injury.

Do not touch the power plug with wet hands.

- This may result in electric shock.

Do not turn the appliance off by unplugging the power cord while an operation is in progress.

- Plugging the power cord into the wall socket again may cause a spark and result in electric shock or fire.

Do not let children climb in or onto the appliance.

- This may result in electric shock, burns or injury.

Do not insert your hand or a metal object under the washer while it is operating.

- This may result in injury.

Do not unplug the appliance by pulling the power cord. Always grip the plug firmly and pull it straight out of the outlet.

- Damage to the power cord may cause a short-circuit, fire and/or electric shock.

Do not attempt to repair, disassemble, or modify the appliance yourself.

- Do not use a fuse (such as copper, steel wire, etc.) other than a standard fuse.
- When the appliance needs to be repaired or reinstalled, contact your nearest service centre.
- Failure to do so may result in electric shock, fire, problems with the appliance, or injury.

If the water supply hose comes loose from the water tap and floods the appliance, unplug the power cord.

- Failure to do so may result in electric shock or fire.

Unplug the power cord when the appliance is not being used for long periods of time or during a thunder or lightning storm.

- Failure to do so may result in electric shock or fire.

SAVE THESE INSTRUCTIONS



If any foreign substance enters into the appliance, unplug the power cord and contact your nearest Samsung Customer Service.

- This may result in electric shock or fire.

Do not let children (or pets) play in or on your washer. The washer door does not open easily from the inside and children may be seriously injured if trapped inside.

Usage cautions

CAUTION

If the washer is contaminated by a foreign substance such as detergent, dirt, food waste, etc., unplug the power plug and clean the washer using a damp, soft cloth.

- Failure to do so may result in discolouration, deformation, damage, or rust.

The front glass may be broken by a strong impact. Take care when using the washer.

- If the glass is broken, it may result in injury.

After a water supply failure or when reconnecting the water supply hose, open the faucet slowly.

Open the faucet slowly after a long period of non-use.

- The air pressure in the water supply hose or the water pipe may damage a product part or result in a water leak.

If a draining error occurs during an operation, check if there is a draining problem.

- If the washer is used when it is flooded because of a draining problem, it may result in electric shock or fire.

Insert the laundry into the washer completely so that the laundry does not get caught in the door.

- If laundry gets caught in the door, it may result in damage to the laundry or the washer, or result in a water leak.

Turn the water supply off when the washer is not being used.

- Ensure that the screws on the water supply hose connector are properly tightened.

Ensure that the rubber seal and front door glass are not contaminated by a foreign substance (e.g. waste, thread, hair, etc.).

- If a foreign substance is caught in the door or the door is not completely closed, it may cause a water leak.

Open the faucet and check if the water supply hose connectors are firmly tightened and that there are no water leaks before using the product.

- If the connectors on the water supply hoses are loose, it may result in a water leak.

The product you have purchased is designed for domestic use only.

SAVE THESE INSTRUCTIONS



Safety information

Using the appliance for business purposes qualifies as an appliance misuse. In this case, the appliance will not be covered by the standard warranty provided by Samsung and no responsibility can be attributed to Samsung for malfunctions or damages resulting from such misuse.

Do not stand on the appliance or place objects (such as laundry, lighted candles, lighted cigarettes, dishes, chemicals, metal objects, etc.) on the appliance.

- This may result in electric shock, fire, problems with the appliance, or injury.

Do not spray volatile material such as insecticide onto the surface of the appliance.

- As well as being harmful to humans, this may result in electric shock, fire or problems with the appliance.

Do not place objects that generate electromagnetic fields near the washer.

- This may result in injury due to a malfunction.

Water drained during a high-temperature wash or drying cycle is hot. Do not touch the water.

- This may result in burns or injury.

Do not wash, spin, or dry water-proof seats, mats, or clothing (*) unless your appliance has a special cycle for washing these items.

(*): Woollen bedding, rain covers, fishing vests, ski pants, sleeping bags, diaper covers, sweat suits, and bicycle, motor cycle and car covers, etc.

- Do not wash thick or hard mats even if the washer mark is on the care label. This may result in injury or damage to the washer, walls, floor, or clothing due to abnormal vibrations.
- Do not wash throw rugs or doormats with rubber backing. The rubber backing may come off and stick to inside the drum, and this may result in malfunction such as a drainage error.

Do not operate the washer when the detergent drawer is removed.

- This may result in electric shock or injury due to a water leak.

Do not touch the insides of the drum during or just after drying as it is hot.

- This may result in burns.

The door glass becomes hot during washing and drying. Therefore, do not touch the door glass.

Also, do not allow children to play around the washer or touch the door glass.

- This may result in burns.

Do not insert your hand into the detergent drawer.

- This may result in injury as your hand may be caught by the detergent input device.
- Do not use the liquid detergent container (on applicable models only) for powdered detergent. Remove the container and put powdered detergent directly into the Main wash compartment.

Do not place any objects (such as shoes, food waste, animals) other than laundry into the washer.

- This may result in damage to the washer, or injury and death in the case of pets due to the abnormal vibrations.

SAVE THESE INSTRUCTIONS



Do not press the buttons using sharp objects such as pins, knives, fingernails, etc.

- This may result in electric shock or injury.

Do not wash laundry contaminated by oils, creams or lotions usually found in skincare shops or massage clinics.

- This may cause the rubber seal to become deformed and result in a water leak.

Do not leave metal objects such as safety pins, hair pins or bleach in the drum for long periods of time.

- This may cause the drum to rust.
- If rust starts appearing on the surface of the drum, apply a (neutral) cleansing agent to the surface and use a sponge to clean it. Never use a metal brush.

Do not use dry cleaning detergent directly and do not wash, rinse, or spin laundry contaminated by dry cleaning detergent.

- This may result in spontaneous combustion or ignition due to the heat from the oxidation of the oil.

Do not use water from water cooling/heating devices.

- This may result in problems with the washer.

Do not use natural hand-washing soap for the washer.

- If it hardens and accumulates inside the washer, it may result in problems with the appliance, discolouration, rust, or bad odours.

Place socks and brassieres in a washing net and wash them with the other laundry.

Do not wash large laundry items such as bedding in the washing net.

- Failure to do so may result in injury due to abnormal vibrations.

Do not use hardened detergent.

- If it accumulates inside the washer, it may result in a water leak.

Make sure that the pockets of all the clothing items to be washed are empty.

- Hard, sharp objects such as coins, safety pins, nails, screws, or stones can cause extensive damage to the appliance.

Do not wash clothing with large buckles, buttons or other heavy metal objects.

Sort the laundry by colour on the basis of its colorfastness and select the recommended cycle, water temperature and additional functions.

- This may result in discolouration or fabric damage.

Take care that children's fingers are not caught in the door when you close it.

- Failure to do so may result in injury.

To prevent odours and mould, leave the door open after a wash cycle to allow the drum to dry.

To prevent limescale build up, leave the detergent drawer open after a wash cycle and dry inside it.

SAVE THESE INSTRUCTIONS



Safety information

Critical cleaning warnings

WARNING

Do not clean the appliance by spraying water directly onto it.

Do not use a strong acidic cleaning agent.

Do not use benzene, thinner or alcohol to clean the appliance.

- This may result in discolouration, deformation, damage, electric shock or fire.

Before cleaning or performing maintenance, unplug the appliance from the wall socket.

- Failure to do so may result in electric shock or fire.

SAVE THESE INSTRUCTIONS



Regulatory notice

FCC Notice

CAUTION

Any changes or modifications not expressly approved by the party responsible for compliance could void the user's authority to operate the equipment.

This device complies with Part 15 of FCC Rules. Operation is Subject to following two conditions:

1. This device may not cause harmful interference, and
2. This device must accept any interference received including interference that cause undesired operation.

For products sold in the US and Canadian markets, only channels 1–11 are available. You cannot select any other channels.

FCC STATEMENT:

This equipment has been tested and found to comply within the limits for a Class B digital device, pursuant to part 15 of the FCC Rules. These limits are designed to provide reasonable protection against harmful interference in a residential installation.

This equipment generates, uses, and can radiate radio frequency energy and, if not installed and used in accordance with the instructions, may cause harmful interference to radio communications. However, there is no guarantee that interference will not occur in a particular installation. If this equipment does cause harmful interference to radio or television reception, which can be determined by turning the equipment off and on, the user is encouraged to try to correct the interference by one or more of the following measures:

- Reorienting or relocating the receiving antenna.
- Increasing the separation between the equipment and receiver.
- Connecting the equipment to an outlet that is on a different circuit than the radio or TV.
- Consulting the dealer or an experienced radio/TV technician for help.

FCC RADIATION EXPOSURE STATEMENT:

This equipment complies with FCC radiation exposure limits set forth for an uncontrolled environment. This equipment should be installed and operated so there is at least 8 inches (20 cm) between the radiator and your body. This device and its antenna(s) must not be colocated or operated in conjunction with any other antenna or transmitter.

SAVE THESE INSTRUCTIONS



Regulatory notice

IC Notice

The term “IC” before the radio certification number only signifies that Industry Canada technical specifications were met. Operation is subject to the following two conditions:

1. This device may not cause interference, and
2. This device must accept any interference, including interference that may cause undesired operation of the device.

This Class B digital apparatus complies with Canadian ICES-003.

Cet appareil numérique de la classe B est conforme à la norme NMB-003 du Canada.

For products sold in the US and Canadian markets, only channels 1–11 are available. You cannot select any other channels.

IC RADIATION EXPOSURE STATEMENT:

This equipment complies with IC RSS-102 radiation exposure limits set forth for an uncontrolled environment. This equipment should be installed and operated so there is at least 8 inches (20 cm) between the radiator and your body. This device and its antenna(s) must not be colocated or operated in conjunction with any other antenna or transmitter.



SAVE THESE INSTRUCTIONS



Open Source Announcement

The software included in this product contains open source software. You may obtain the complete corresponding source code for a period of three years after the last shipment of this product by contacting our support team via <http://opensource.samsung.com> (Please use the “Inquiry” menu.)

It is also possible to obtain the complete corresponding source code in a physical medium such as a CDROM; a minimal charge will be required.

The following URL http://opensource.samsung.com/opensource/SMART_AT_051/seq/0 leads to the open source license information as related to this product. This offer is valid to anyone in receipt of this information.



NOTE

Hereby, Samsung Electronics, declares that the radio equipment type appliance is in compliance with Directive 2014/53/EU. The full text of the EU declaration of conformity is available at the following internet address: The official Declaration of conformity may be found at <http://www.samsung.com>, go to Support > Search Product Support and enter the model name.

Wi-Fi max transmitter power : 20 dBm at 2.412 GHz – 2.472 GHz

SAVE THESE INSTRUCTIONS



Installation

Follow these instructions carefully to ensure proper installation of the washer and to prevent accidents when doing laundry.

⚠ WARNING

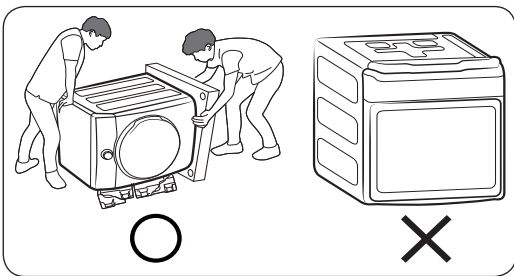
Certain internal parts are intentionally not grounded and may present a risk electric shock only during servicing. Service personnel – Do not contact the following parts while the appliance is energized: Control board, heat sink, motor, inlet valve and pump.

Unpacking your washer

Unpack your washer and inspect it for shipping damage. Make sure you have received all the items shown on the next page. If your washer was damaged during shipping, or you do not have all of the items, call 1-800-SAMSUNG (1-800-726-7864). To prevent personal injury or strain, wear protective gloves whenever lifting or carrying the unit.

⚠ WARNING

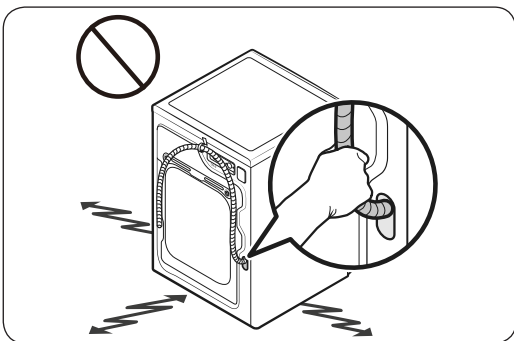
Packing materials can be dangerous to children; Keep all packing material (plastic bags, polystyrene, etc.) well out of children’s reach.



⚠ CAUTION

You must have at least 2 people unpack the washer. To remove the cushion bottom of the packing materials, do not tip the washer over on its front side.

When you lay the washer down to remove the carton base, protect the side of the washer and lay it down carefully. Never lay your washer on its back or front.



⚠ CAUTION

Do not grab or pull the drain hose to drag and move the product.

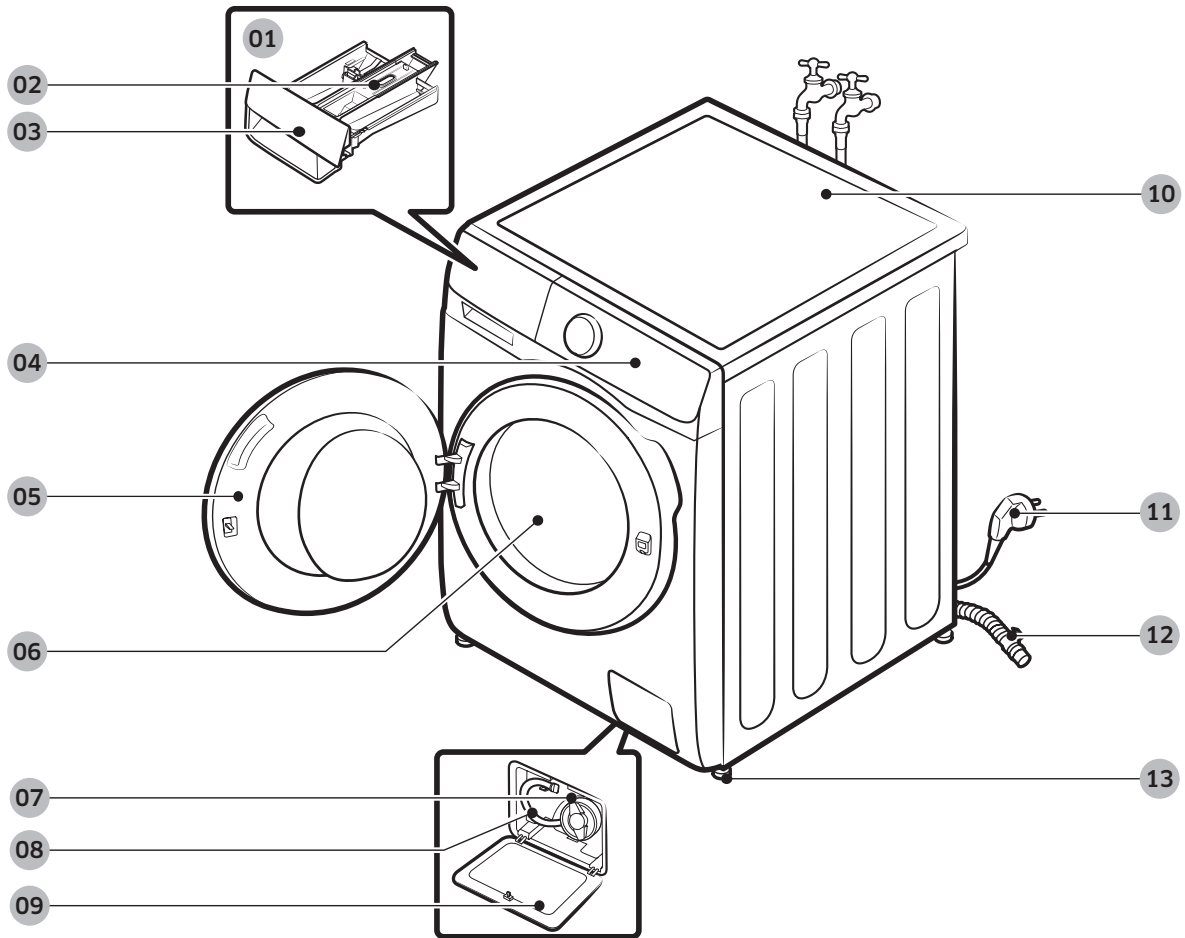


What's included

Make sure all the parts are included in the product package. If you have a problem with the washer or the parts, contact a local Samsung customer centre or the retailer.

NOTE

The appearance of the actual product may differ from the image shown.



01 Manual dispenser

02 Release lever

03 Detergent drawer

04 Control panel

05 Door

06 Drum

07 Pump filter

08 Emergency drain tube

09 Filter cover

10 Worktop

11 Power plug

12 Drain hose

13 Levelling feet

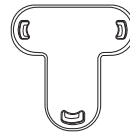
Installation



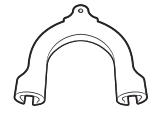
Spanner



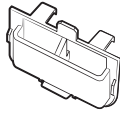
Bolt caps



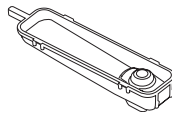
Cap fixer



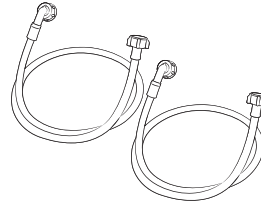
Hose guide



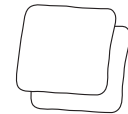
Liquid detergent guide



Drawer bleach



Water hoses



Anti-slip pads

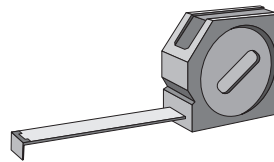
Tools needed for installation



Philips screwdriver



Level



Measuring tape



Adjustable plier

NOTE

- Spanner: For removing the shipping bolts and levelling the washer.
- Bolt caps: For covering the holes after removing the shipping bolts.
The provided number of bolt caps (3 to 6) depends on the model.
- Hose guide: For hanging the drain hose in the drainpipe or wash-basin.
- Cold/Hot water hose: For supplying water to the washer. (Hot water hoses is for applicable models only.)
- Liquid detergent guide: Insert it in the detergent compartment to use liquid detergent.
- The appearance of the machine and provided accessories may differ with the model.

CAUTION

- Do not reuse old water hoses, which may leak or burst, causing flooding and/or property damage.
- Make sure the rubber washers are inserted in each coupling of the water hose.

Installation requirements

Electrical supply and grounding

- AC 120 V / 60 Hz / 15 AMP fuse or circuit breaker is required.
- Use an individual branch circuit specific to the washer.

To ensure proper grounding, the washer comes with a power cord featuring a three-prong grounding plug for use in a properly installed and grounded outlet.

Check with a qualified electrician or service person if you are not sure about the grounding.

Do not modify the provided plug. If it does not fit the outlet, call a qualified electrician to install a proper outlet.

WARNING

- Do NOT use an extension cord.
- Use only the power cord that comes with the washer.
- Do NOT connect the ground wire to plastic plumbing, gas lines, or hot water pipes.
- Improperly connected grounding conductors may cause electric shock.
- To prevent unnecessary risk of fire, electrical shock, or personal injury, all wiring and grounding must be done in accordance with local codes, or in the absence of local codes, in accordance with the National Electrical Code, ANSI/ NFPA No. 70-Latest Revision (for the U.S.) or the Canadian Electrical Code CSA C22.1 – Latest Revisions and local codes and ordinances. It is your responsibility to provide adequate electrical service for your washer.

Water supply

A proper water pressure for this washer is between 20-116 psi (137-800 kPa). Water pressure less than 20 psi (137 kPa) may cause the water valve not to close completely. Or, it may take longer to fill the drum, causing the washer to turn off. Faucets must be within 4 feet (122 cm) from the rear of the washer so that the provided inlet hoses reach the washer.

To reduce the risk of leaks:

- Make sure faucets are easily accessible.
- Turn off the taps when the washer is not in use.
- Check for any leaks at the water inlet hose fittings on a regular basis.

CAUTION

Before using the washer for the first time, check all connections at the water valve and taps for any leaks.

Drain

Samsung recommends a standpipe in height of 18 in (46 cm). The drain hose must be connected through the hose clip to the standpipe, and the standpipe must fully cover the drain hose.

Installation

Flooring

For best performance, the washer must be installed on a solid floor. Wood floors may need to be reinforced to minimize vibration and/or unbalanced loads. Carpeting and soft tile surfaces are not a good resistance to vibrations and may cause the washer to move slightly during the spin cycle.

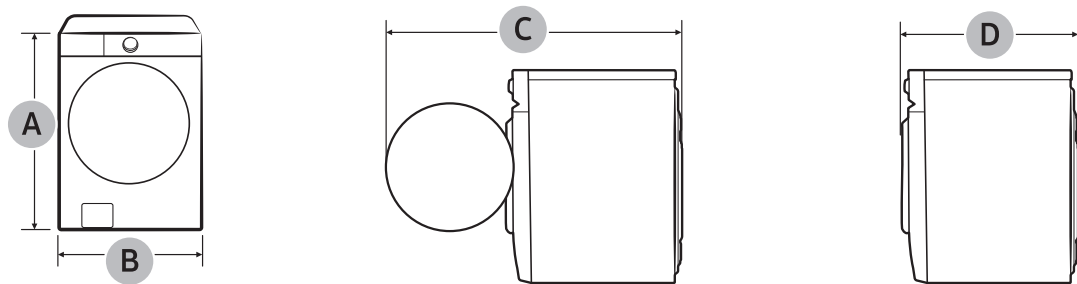
⚠ CAUTION

Do NOT install the washer on a platform or a poorly supported structure.

Water temperature

Do not install the washer in areas where water may freeze as the washer always retains some water in its water valves, pumps, and/or hoses. Frozen water left in the connection parts may cause damage to belts, the pump, and other components of the washer.

Dimensions



A. Overall height	33.5 in. (850 mm)
B. Width	23.6 in. (600 mm)
C. Depth with door open	44.1 in. (1120 mm)
D. Depth	26.8 in. (680 mm)

Clearance requirement

This clearance requirement is applicable for washers only.

NOTE

- For dryer's clearance requirement, see the dryer's user manual.
- If the washer and dryer have different clearance requirements, use the one with the larger value.

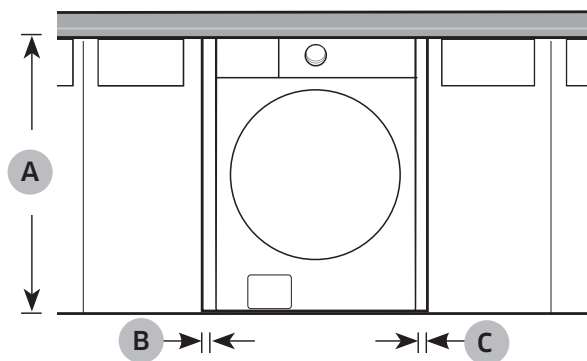
Alcove or closet installations

Minimum clearance for stable operation:

Sides	Top	Rear	Front
1 in. (25 mm)	1 in. (25 mm)	2 in. (50 mm)	1 in. (25 mm)

If both the washer and a dryer are installed in the same location, the front of the alcove or closet must have two unobstructed air openings for a combined minimum total area of 72 in² (465 cm²).

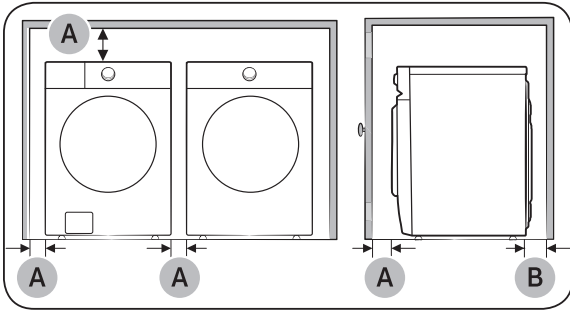
Undercounter installation



A	34.4 in. (875 mm)
B	1 in. (25 mm)
C	1 in. (25 mm)

Installation

This clearance requirement is applicable for washer and dryer pair installation.



Side by side installation

A	1 in. (25 mm)
B	2 in. (50 mm) * This clearance requirement only applies to the washer. For dryer's clearance requirement, see the dryer's user manual.
C	2 in. (50 mm)
D	6 in. (152 mm)
E	67 in. (1702 mm)

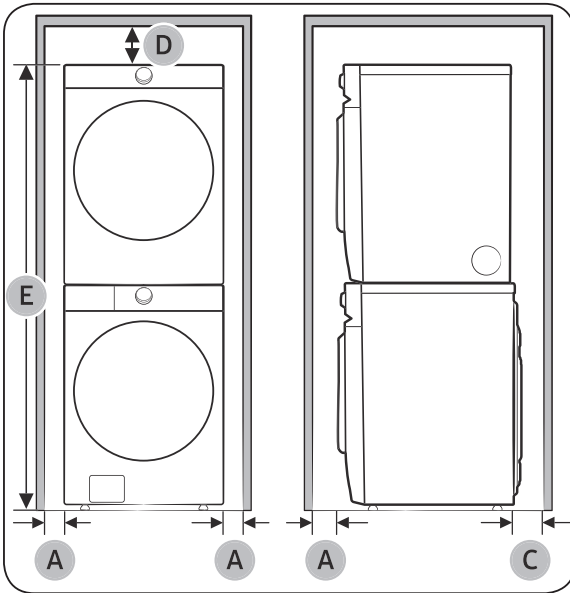
NOTE

If you install a new dryer next to the washer you have been using, the dryer may stick out at front more than the washer.

WARNING

- Samsung's washers and dryers can be stacked to maximize usable space.
- The dryer feet need to be removed to stack the washer and dryer. You can purchase an optional stacking kit from your Samsung retailer.

Stacked installation (Model: SK-DH)



Stacked installation

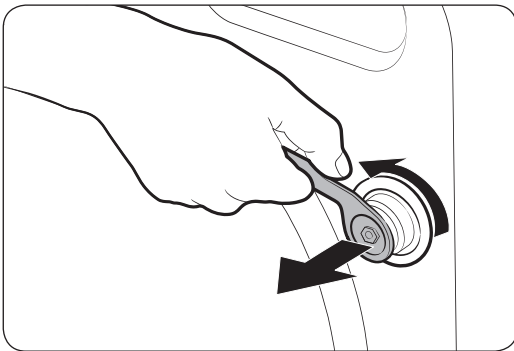
Step-by-step installation

STEP 1 Select a location

Location requirements:

- A solid, level surface without carpeting or flooring that may obstruct ventilation
- No direct sunlight
- Adequate room for ventilation and wiring
- Ambient temperature always higher than the freezing point (32 °F / 0 °C)
- Away from heat sources

STEP 2 Remove the shipping bolts

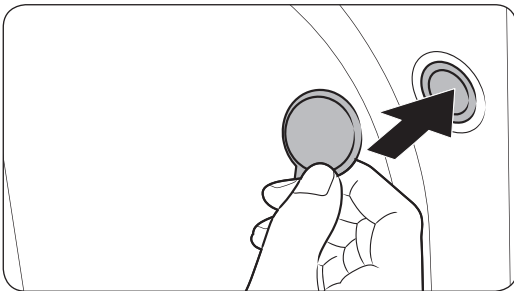


Unpack the product package and remove all shipping bolts.

1. Loosen all shipping bolts on the rear of the machine using the spanner.

 **NOTE**

Use the enclosed end of the supplied wrench to remove the shipping bolts.



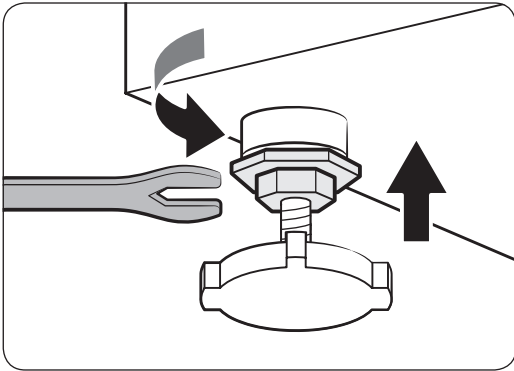
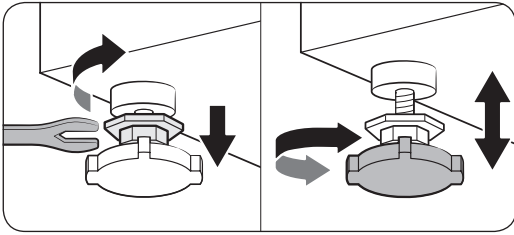
2. Fill the holes with the supplied plastic bolt caps. Keep the shipping bolts for future use.

 **WARNING**

- The shipping bolts secure the tub during product transportation and reduce the chance of suspension damage. Remove the shipping bolts before using the product and only reinsert them if you need to move the product.
- Packaging materials can be dangerous to children. Dispose all packaging material (plastic bags, polystyrene, etc.) out of children's reach.

Installation

STEP 3 Adjust the levelling feet

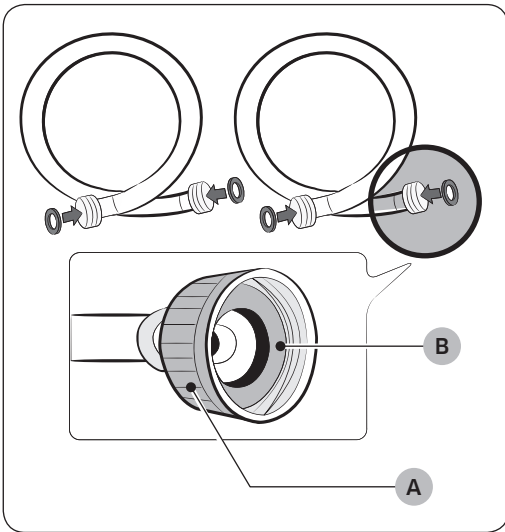


1. Gently slide the washer into position. Excessive force may damage the levelling feet.
2. Level the washer by manually adjusting the levelling feet.
3. When levelling is complete, tighten the nuts using the spanner.

CAUTION

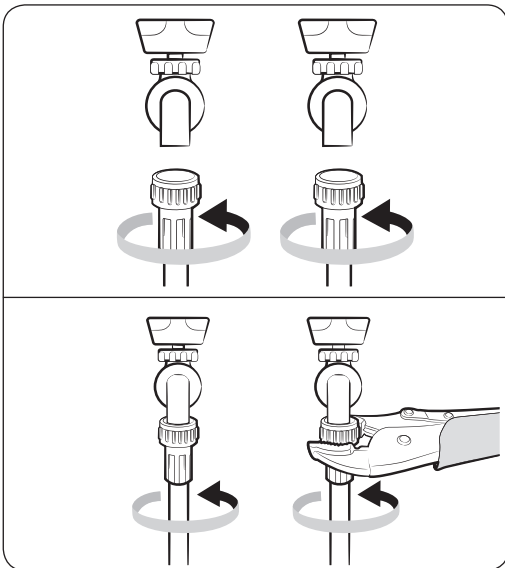
Make sure all the levelling feet are seating on the floor surface to avoid the washer from moving or generating noise due to vibration. Then, check if the washer is rocking. If the washer is not rocking, tighten the nuts.

STEP 4 Connect the water hose



⚠ CAUTION

- Make sure you use a new water hose, and there are **rubber gaskets (B)** inside the **couplings (A)** at either end of the water hose. A water hose without the gasket may cause a water leak.
- If there is a water leak, stop using the washer and contact a local Samsung service center. This may cause electric shock.
- Do not stretch the water hose by force. If the hose is too short, replace the hose with a longer, high-pressure hose.
- To prevent leaks, make sure both water hoses are not bent or kinked. A water leak may cause electric shock.

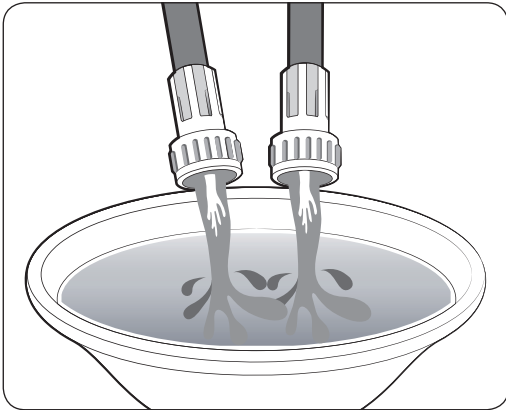


1. Attach the water hoses to the hot and cold water taps, and then hand tighten the water hose fittings until they are tight. Then, use pliers to tighten the fittings by an additional two-thirds of a turn. To avoid damaging the fittings, do not overtighten them.
2. Pull the water hoses to check if they are firmly connected.

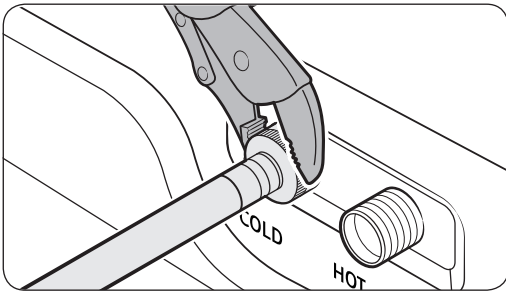


Installation

English



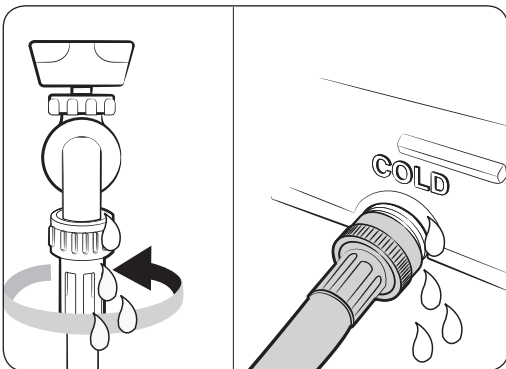
3. Put the other ends of the hoses into a bucket and open the taps for 10-15 seconds to remove impurities. When done, close the taps.



4. Attach the water hoses to the hot and cold water inlets on the back of the washer, and then hand tighten the water hose fittings until they are tight. Then, use pliers to tighten the fittings by an additional two-thirds of a turn.

NOTE

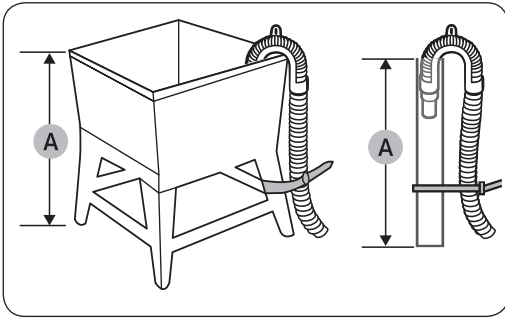
If you do not want to use the hot water supply hose, attach the water intake cap to the hot water supply intake. When you do a wash, press **Temp.** to select Cold.



5. Open the water taps, and check for leaks.



STEP 5 Connect the drain hose



To a Laundry Tub or Drain Pipe

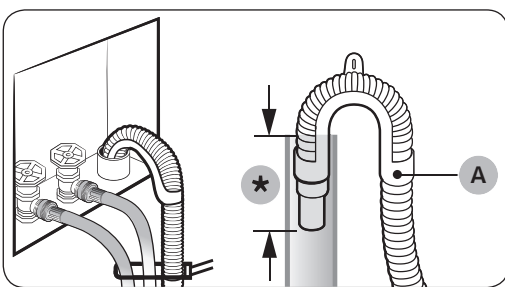
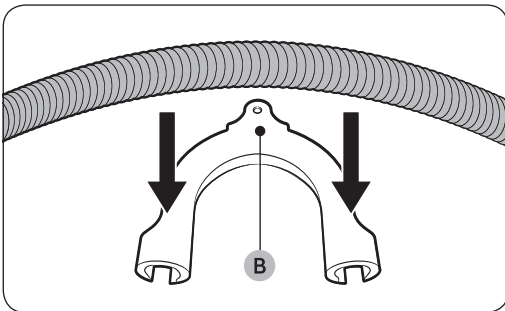
1. Check the **height (A)** of your drain system and make sure the minimum and maximum heights shown below are met.

Minimum	18 in. (46 cm)
Maximum	96 in. (245 cm)

NOTE

- Make sure to measure the height from the floor where the washer is placed.
- Draining efficiency may be reduced if the drain system is at the maximum height.
- To prevent the washer from siphoning water, do not use a drain system below the minimum height.

2. Attach the drain hose to the **plastic hose guide (B)**.



(*): Min. 6 in. (152 mm), Max. 8 in. (203 mm)

3. Route the drain hose to the drain system.

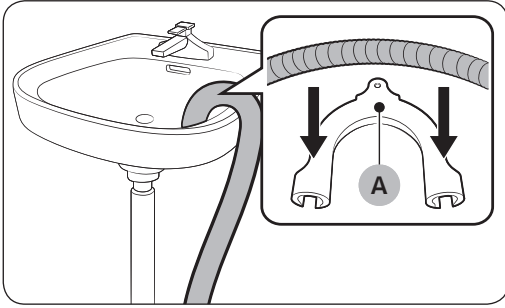
CAUTION

- If using a standpipe, make sure the standpipe and drain hose connection is not airtight.
 - If using a standpipe, make sure the drain hose is inserted at least 6 in. (152 mm) but no more than 8 in. (203 mm) into the standpipe.
4. Secure the drain hose with cable ties.



Installation


English



Over the edge of a wash basin

The drain hose must be placed no lower than 24 in. (60 cm) and no higher than 35 in. (90 cm) from the floor. To keep the spout of the drain hose bent, use the supplied plastic **hose guide (A)**. Secure the guide to the wall using a hook to ensure stable drainage.

STEP 6 Power on

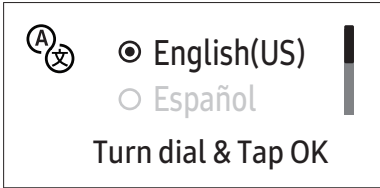
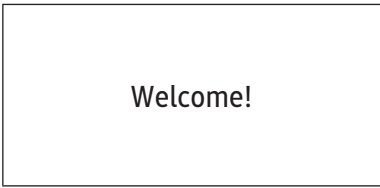
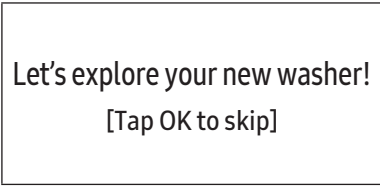
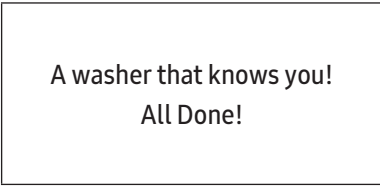
Plug the power cord into a wall socket that is correctly rated, grounded, and protected by a fuse or circuit breaker. Then, tap  to turn on the washer.



Before you start

Initial setup

- When you turn on the washer for the first time, the screen shows the initial setup process. Follow the on-screen instructions to complete it.
- Initial setup will not repeat after you've completed it.
- The initial setup includes language selection, calibration, and a brief tutorial.
- Tap **OK** or turn the **Navigation dial** to skip to the next screen.

01 Language selection	02 Welcome screen
	
03 Tutorial	
	

Run Calibration (recommended)

- Initial setup includes the calibration process which comes after the language selection. You must proceed calibration before using the washer.
- Empty the drum, and then tap and hold **▶||** to start calibration.
- When calibration is complete, power turns off and then turns on automatically.
- If you want to proceed calibration again, tap and hold **⏸** for 3 seconds to enter the system function and select **Calibration**.



Before you start

Laundry guidelines

STEP 1 Sort

Sort the laundry according to these criteria:

- Care Label: Sort the laundry into cottons, mixed fibres, synthetics, silks, wools, and rayon.
- colour: Separate whites from colours.
- Size: Mixing different sized items together in the drum improves the washing performance.
- Sensitivity: Wash delicate items separately using an Easy Iron option for pure, new woollen items, curtains, and silk items. Check the labels on the items.

NOTE

Make sure to check the care label on the clothing, and sort them accordingly before starting the wash.

STEP 2 Empty pockets

Empty all the pockets of your laundry items

- Metal objects such as coins, pins, and buckles on clothing may damage other laundry items as well as the drum.

Turn clothing with buttons and embroideries inside out

- If trousers or jacket zippers are open while washing, the drum may be damaged. Zippers should be closed and fixed with a string.
- Clothing with long strings may become entangled with other clothes. Make sure to tie the strings before starting the wash.

STEP 3 Use a laundry net

- Brassieres (machine washable) must be placed in a laundry net. Metal parts of the brassieres may break through and tear other laundry items.
- Small, light clothing such as socks, gloves, stockings, and handkerchiefs may become caught around the door. Place them inside a fine laundry net.
- Do not wash the laundry net by itself without other laundry. This may cause abnormal vibrations that could move the washer and result in injury.

STEP 4 Prewash (if necessary)

Select the Prewash option for the selected cycle if the laundry is heavily soiled.

Do not use the Prewash option when detergent is manually added into the drum.

STEP 5 Determine the load capacity

Do not overload the washer. Overloading may cause the washer to not wash properly.

NOTE

When washing bedding or bedding covers, the wash time may be lengthened or the spin efficiency may be reduced.

For bedding or bedding covers, the recommended maximum spin level is level 2 or level 3, and the load capacity is 7 lb (3.0 kg) or less.



⚠ CAUTION

- Unbalanced laundry may reduce the spinning performance.
- Make sure the laundry is fully inserted in the drum and not caught in the door.
- Do not slam the door. Close the door gently. Otherwise, the door may not be closed properly.

STEP 6 Add the correct detergent type

The type of detergent you use - general purpose, specifically for woolens, etc. - depends on the type of fabric (cotton, synthetic, delicate items, wool), color, wash temperature, and degree of soiling. Regardless of the specific type of detergent you use, always use “low suds” HE laundry detergent which is designed for automatic washers.

📖 NOTE

- Follow the detergent manufacturer’s recommendations based on the weight of the laundry, the degree of soiling, and the hardness of the water in your local area. If you are not sure about the water hardness, contact your local water authority.
- Do not use detergent that tends to harden or solidify. This detergent may remain after the rinse cycle, blocking the drain outlet.

⚠ CAUTION

When washing wool using the WOOL cycle, use only a neutral liquid detergent. Powdered detergent used with the WOOL cycle can remain on the laundry and discolor it.

Use HE detergent only

For the best cleaning results, use a high efficiency detergent such as Tide HE, Wisk HE, Cheer HE or Gain HE*. High efficiency detergents contain suds suppressors that reduce or eliminate suds. When fewer suds are produced, the load tumbles more efficiently and cleaning is maximized. (* Brand names are trademarks of their respective manufacturers.)

⚠ WARNING

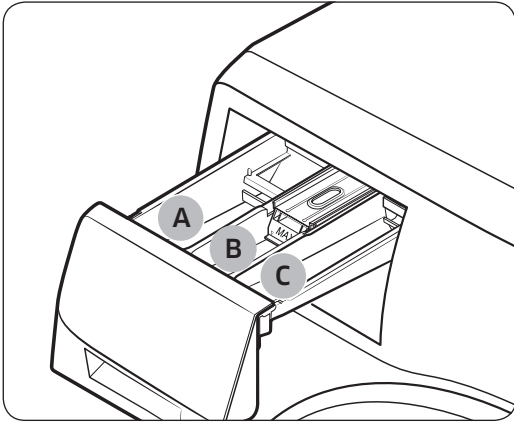
For best results, use HE detergents only. Do not use non-HE detergent, organic detergent, natural detergent or HE detergents with natural ingredients (such as vinegar, baking soda).



Before you start

Detergent drawer guidelines

The manual dispenser models provide a three-compartment dispenser: the left compartment for the main wash, the centre for fabric softeners, and the right for the liquid chlorine bleach.



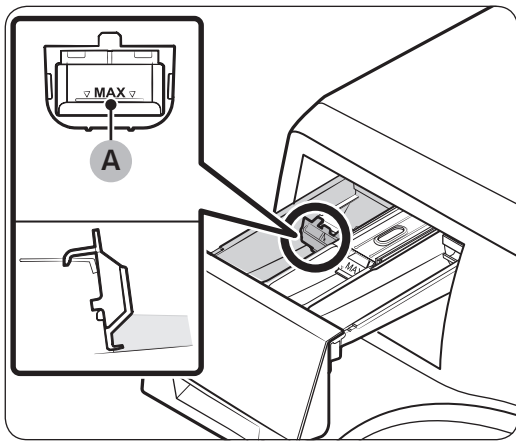
- A. Main-wash compartment:** Apply main-wash detergent, water softener, soaking detergent, color-safe, and/or stain removers.
- B. Softener compartment:** Apply fabric softener. Do not exceed the **max line**.
- C. Bleach compartment:** Apply liquid chlorine bleach. Do not exceed the **max line**.

WARNING

- Do not open the detergent drawer while the washer is operating.
- Do not put a tablet or capsule type detergents into the detergent drawer. Put them directly into the drum.
- Do not use Ball type of detergent.
- To prevent the compartment from clogging, concentrated or highly-enriched agents (fabric softener or detergent) must be diluted with water before being applied.
- Be careful not to spill fabric softener on the worktop or the control panel.



To add washing agents to the detergent drawer



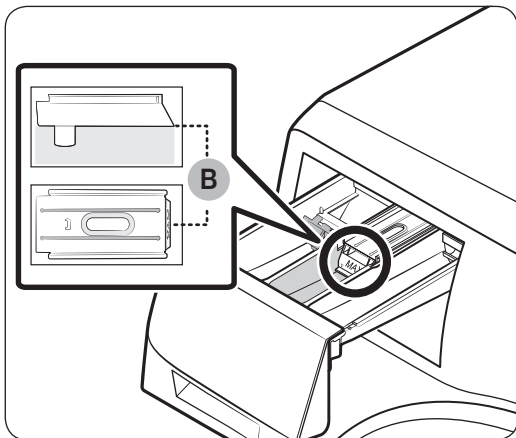
1. Slide open the detergent drawer.
2. First insert the provided liquid container in the **main-wash compartment**.
3. Add liquid laundry detergent to the container below the marked max line (A).

⚠ CAUTION

- Make sure the liquid detergent container is inserted in the main wash compartment.
- Do not exceed the marked **max line (A)**.

📄 NOTE

- Do not add powdered laundry detergent or other powdered laundry agents to the liquid laundry container.
- Turn up the liquid container if using powder detergent. To use powdered detergent, see page **34**.



4. Add fabric softener to the **softener compartment**. Do not exceed the **max line (B)**.

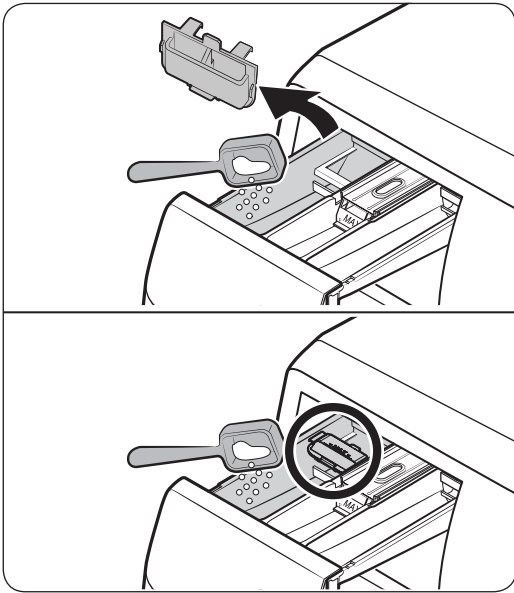
⚠ WARNING

- Powdered fabric softener is not recommended. Use liquid fabric softener only.
 - Concentrated fabric softener must be diluted with water before being added.
 - Do not add main-wash detergent to the **softener compartment**.
5. Close the detergent drawer.



Before you start

To use powdered detergent

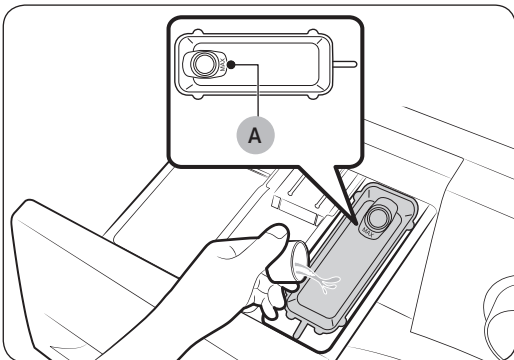


First, remove or turn up the provided liquid detergent container from the **main-wash compartment**. Then, add powdered detergent to the **main-wash compartment** according to the detergent manufacturer's instructions.

⚠ CAUTION

Do not add powdered detergent to the liquid detergent container.

To use the bleach compartment



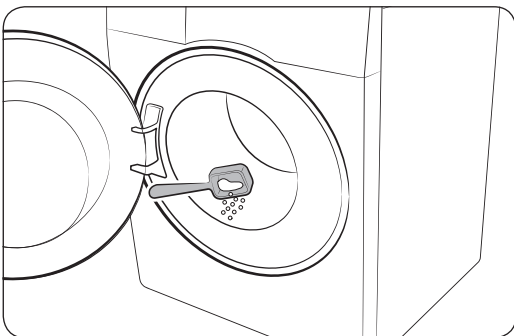
First insert the provided **drawer bleach** in the **bleach compartment**.

Apply only liquid chlorine bleach to the **drawer bleach**. Do not exceed the **max line (A)**.

⚠ CAUTION

Do not apply undiluted liquid chlorine bleach directly onto the load or into the drum. It is a powerful chemical and can cause fabric damage, such as weakening of the fibers or color loss, if not used properly.

To use oxygen boosters or color-safe bleach



Oxygen boosters or color-safe bleach can increase washing performance.

Make sure to add the oxygen booster or color-safe bleach after putting the laundry into the drum.

📖 NOTE

To use both powder detergent and powder oxygen booster or powder color-safe bleach, it is more effective to put them together into the drum before loading the laundry.

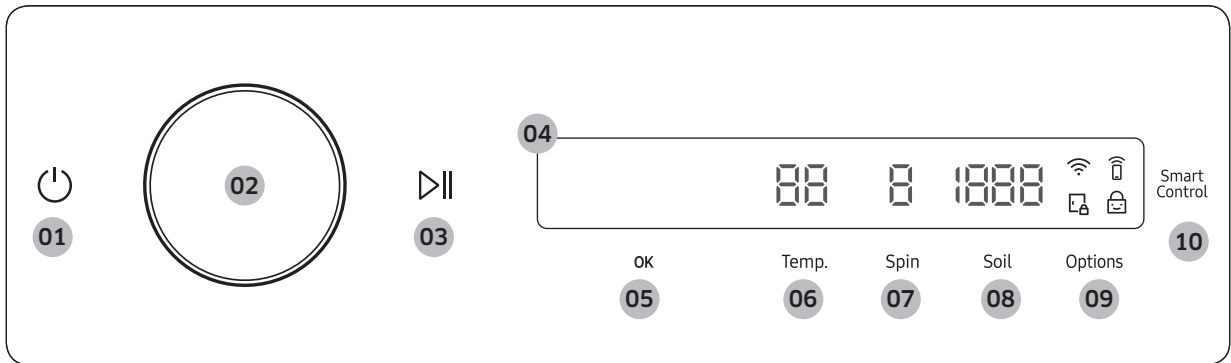


Operations

⚠ WARNING

To reduce the risk of fire, electric shock, or injury to persons, read the IMPORTANT SAFETY INSTRUCTIONS before operating this washer.

Control panel







01 Power	<p>Tap to turn the washer on or off.</p> <ul style="list-style-type: none"> If you do not manipulate the control panel for 10 minutes after the washer is turned on, the washer automatically turns off. The washer automatically turns off when the cycle completes. <p>⚠ CAUTION</p> <p>Do not tap to turn the washer off while the wash cycle is in progress. Tap and hold to pause the cycle first, and then tap to turn the washer off.</p>
02 Navigation dial	<p>Turn the navigation dial left or right to navigate through cycles and functions. When you turn the navigation dial, LCD displays your selection (such as cycle, additional functions, and system functions).</p>
03 Start/Pause	<p>Tap and hold to start or pause an operation.</p>
04 Display	<p>The display shows current cycle information and estimated time remaining, or an information message when a problem occurs.</p> <p>📄 NOTE</p> <p>The actual washing time may differ from the estimated time initially displayed on the control panel upon cycle selection.</p>
05 OK	<p>Tap to confirm your selection of function or setting.</p>
06 Temp.	<p>Tap to change the water temperature for the selected cycle.</p> <ul style="list-style-type: none"> The indicator above the button indicates the default or selected setting.
07 Spin	<p>Tap to change the spin speed for the selected cycle.</p> <ul style="list-style-type: none"> The indicator above the button indicates the default or selected setting.
08 Soil	<p>Tap to change the soil level for the current cycle.</p>



Operations

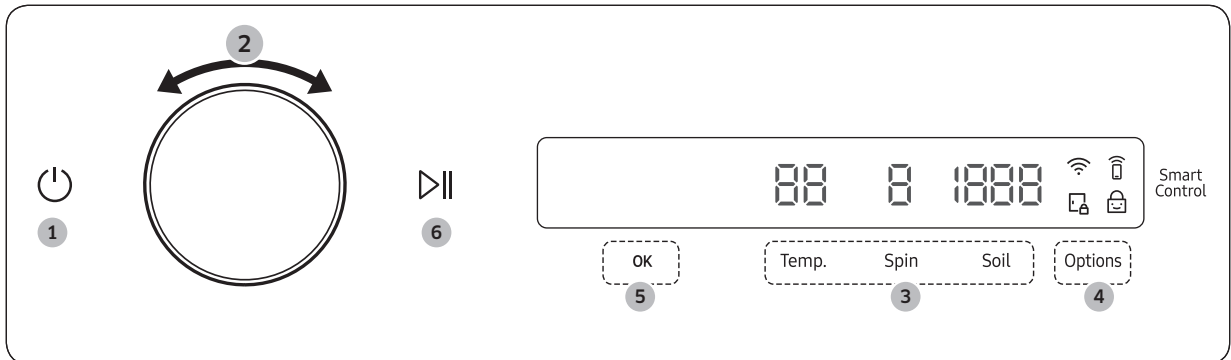
09 Options	<p>Tap to enter the Options menu.</p> <p>Tap and hold for 3 seconds to enter the Settings menu.</p>
10 Smart Control	<p>Tap to activate or deactivate the Smart Control function.</p> <p>Tap and hold to enter pairing mode to connect to the SmartThings app.</p> <ul style="list-style-type: none"> When the Smart Control function is activated, you can control your washer remotely using the SmartThings app on your smartphone or tablet (Android or iOS).

Icon descriptions

	Wi-Fi	<ul style="list-style-type: none"> This icon indicates that the washer is connected to Wi-Fi.
	Smart Control	<ul style="list-style-type: none"> This icon indicates that Smart Control is on. For more information on Smart Control, see page 46.
	Door Lock	<ul style="list-style-type: none"> This icon indicates the door is locked and cannot be opened. The door locks automatically during a cycle and this indicator turns on. You can open the door when this icon disappears.
	Child Lock	<ul style="list-style-type: none"> This icon indicates that Child Lock is on. For more information on Child Lock, see page 43.



Operating a cycle



1. Tap to turn on the washer.
2. Turn the **Navigation dial** to select the cycle you want.
 - For more information on **Cycle overview**, see page **38**.
3. Tap **Temp.**, **Spin**, or **Soil** to change the default cycle settings.
4. Tap **Options**, and then turn the **Navigation dial** to select the desired additional function.
 - For more information on **Options**, see page **42**.
5. Tap **OK** to change the settings for selected additional function.
 - Not all cycles have additional functions available.
6. Tap and hold to start operation.
 - Once you set the cycle you want, the screen displays a brief cycle description, and cycle time. You can also check the cycle progress, remaining cycle time, and information codes.

To change the cycle during operation

1. Press to stop operation.
2. Select a different cycle.
3. Press again to start the new cycle.

WARNING

Do not place anything on top of your washer while it is running.



Operations

Cycle overview

Cycle descriptions

You can add or delete cycles to personalize the cycle list in the **My Cycles** option. See page 43 for more information.

Cycle	Description
Normal	<ul style="list-style-type: none"> For cottons, bed linens, table linens, underwear, towels, or shirts. The washing time and the rinse count are automatically adjusted according to the load.
Heavy Duty	<ul style="list-style-type: none"> For sturdy, colorfast fabrics and heavily soiled items.
Super Speed	<ul style="list-style-type: none"> Fast completion for everyday items such as underwear and shirts. The cycle time will differ depending on the water supply conditions, load, and type of laundry.
Small Load	<ul style="list-style-type: none"> For lightly soiled items that you want to finish washing quickly. For best performance, recommended load is 4 lb (2.0 kg) or lower.
Delicates	<ul style="list-style-type: none"> For sheer fabrics, bras, lingerie (silk), and other handwash-only fabrics. For best performance, use liquid detergent.
Steam Whites	<ul style="list-style-type: none"> For white items. You can wash with or without bleach.
Steam Sanitize	<ul style="list-style-type: none"> For colourfast fabrics and heavily soiled laundry, this cycle heats the supplied water over 140 °F (60 °C) to clean deeply. If you stop running the cycle while the washer is heating the water, the door remains locked for your safety.
Steam Normal	<ul style="list-style-type: none"> For washing everyday garments with steam.
Towels	<ul style="list-style-type: none"> For bath towels, washcloths, and mats.
Bedding	<ul style="list-style-type: none"> For bulky items such as comforters, blankets, and sheets. For best results, wash only 1 type of bedding. For bulky items, use liquid detergent and do not roll the items in the drum because they might get stuck in the drum.
Activewear	<ul style="list-style-type: none"> For exercise wear such as sports jerseys, training pants, shirts/tops and other performance clothing. This cycle provides effective soil removal with controlled drum rotation for special fabric care.
Rinse + Spin	<ul style="list-style-type: none"> Featuring an additional rinse process after applying fabric softener to the laundry.
Self Clean+	<ul style="list-style-type: none"> Cleans the drum by removing dirt and build-up from the drum. Perform once every 40 washes. Make sure the drum is empty.



Cycle	Description
Outdoor	<ul style="list-style-type: none"> For outdoor clothes, skiwear, and sportswear that are made of functional materials such as spandex, stretch, and microfibre.
Denim	<ul style="list-style-type: none"> For denim and jeans. Wash inside out. Denim and jeans often contains excess dye and may run during the first few washes. Wash light and dark colored items separately.
Wool	<ul style="list-style-type: none"> Specific for machine-washable wool. The Wool cycle features fine pulsating and soaking to protect the wool fibres from shrinkage/distortion. A neutral detergent is recommended.
Colors	<ul style="list-style-type: none"> This cycle washes items in low-temperature water to prevent discolouration
Perm Press	<ul style="list-style-type: none"> For wash-and-wear, synthetic fabrics, and lightly to normally soiled items.
Eco Cold	<ul style="list-style-type: none"> For normally and lightly soiled items. This cycle uses only cold water to save energy. Cold water also helps prevent fabric damage.
Steam Bedding	<ul style="list-style-type: none"> Bedding cycle with the steam function.
Steam Allergen	<ul style="list-style-type: none"> To remove dust, pollen, and other non-living allergen substances from fabric.
Power Steam	<ul style="list-style-type: none"> Heavy Duty cycle with the steam function.
Power Rinse	<ul style="list-style-type: none"> To wash with powerful rinsing performance.
Spin Only	<ul style="list-style-type: none"> To perform the spin process only.

Operations

Cycle chart

Use this chart to set the best cycle and options for your laundry.

Temp.	Spin	Soil Level
5 : Extra Hot	5 : Extra High	5 : Extra Heavy
4 : Hot	4 : High	4 : Heavy
3 : Warm	3 : Medium	3 : Normal
2 : Cold	2 : Low	2 : Light
1 : Tap Cold	1 : Extra Low	1 : Extra Light
	No Spin	
	No Drain	

● : factory setting, ○ : can be selected

Cycle	Temp.					Spin							Soil Level				
	5	4	3	2	1	5	4	3	2	1	No Spin	No Drain	5	4	3	2	1
Normal	○	○	●	○	○	○	●	○	○		○	○	○	○	●	○	○
Steam Normal		●				○	●	○	○	○	○	○	○	○	●	○	○
Colors				●		○	●	○	○	○	○	○	○	○	●	○	○
Power Rinse		○	●	○	○	○	●	○	○	○	○	○	○	○	●	○	○
Super Speed		○	●			○	●	○	○	○	○	○	○	○	●	○	○
Heavy Duty	○	●	○	○	○	●	○	○	○	○	○	○	●	○	○	○	○
Power Steam		●				●	○	○	○	○	○	○	●	○	○	○	○
Bedding			●	○	○			●	○	○	○	○	○	○	●	○	○
Steam Bedding			●					●	○	○	○	○	○	○	●	○	○
Steam Whites		●				○	●	○	○	○	○	○	○	○	●	○	○
Steam Sanitize	●					○	●	○	○	○	○	○	○	○	●	○	○
Steam Allergen		●				○	●	○	○	○	○	○	○	○	●	○	○
Perm Press			●	○	○		○	○	●	○	○	○	○	○	●	○	○
Small Load		○	●	○	○	○	○	●	○	○	○	○	○	○	○	○	●
Towels		○	●	○	○	○	●	○	○	○	○	○	○	○	●	○	○
Eco Cold				○	●	○	●	○	○	○	○	○	○	○	●	○	○
Activewear			●	○	○				●	○	○	○	○	○	●	○	○
Delicates			○	○	●			●	○	○	○	○	○	○	●	○	○
Wool			●	○	○				●	○	○	○			●		
Outdoor			●	○	○			●	○	○	○	○	○	○	●	○	○
Denim			●	○	○				●	○	○	○	○	○	●	○	○
Rinse + Spin						○	●	○	○	○	○	○					
Spin Only						○	●	○	○	○	○	○					
Self Clean+	●					●									●		

Cycle	Options		
	Extra Rinse	Super Speed	Pre Soak
Normal	<input type="radio"/>		<input type="radio"/>
Steam Normal	<input type="radio"/>		<input type="radio"/>
Colors	<input type="radio"/>		<input type="radio"/>
Power rinse	<input type="radio"/>		<input type="radio"/>
Super speed	<input type="radio"/>	<input checked="" type="radio"/>	
Heavy Duty	<input type="radio"/>	<input type="radio"/>	<input type="radio"/>
Power Steam	<input type="radio"/>	<input type="radio"/>	<input type="radio"/>
Bedding	<input type="radio"/>		<input type="radio"/>
Steam Bedding	<input type="radio"/>		<input type="radio"/>
Steam Whites	<input type="radio"/>	<input type="radio"/>	<input type="radio"/>
Steam Sanitize	<input type="radio"/>		<input type="radio"/>
Steam Allergen	<input type="radio"/>	<input type="radio"/>	<input type="radio"/>
Perm Press	<input type="radio"/>		<input type="radio"/>
Small load	<input type="radio"/>		
Towels	<input type="radio"/>		<input type="radio"/>
Eco cold	<input type="radio"/>		<input type="radio"/>
Active wear	<input type="radio"/>		<input type="radio"/>
Delicates	<input type="radio"/>		
Wool			
Outdoor	<input type="radio"/>		
Denim	<input type="radio"/>		<input type="radio"/>
Rinse + Spin	<input type="radio"/>		
Spin only			
Self Clean+			



Operations

Options

Using Options

1. Tap **Options**.
2. Turn the **Navigation dial** to select the desired additional function.
3. Tap **OK** to change the selected function's settings or start the function.

NOTE

- To return to the main screen, tap **Options** again or turn the **Navigation dial** to select **Back** and tap **OK**.
- If the selected function is not supported, the "**Currently not supported**" message is displayed, and the **OK** button is not activated.
- When you select an additional function, a brief help message appears for the first ten times of use.

Super Speed

Use this function if you need to shorten the washing time.

1. Tap **Options**.
2. Turn the **Navigation dial** to select **Super Speed**, and then tap **OK**.
3. Tap **OK** to select **On** or **Off**.
 - Only available with **Heavy Duty**, **Super speed**, **Steam Whites**, **Steam Allergen** and **Power Steam**, cycles.
 - The shortened time may differ depending on the load/options.

Extra Rinse

Adds an additional rinse at the end of the cycle to remove laundry additives more thoroughly.

1. Tap **Options**.
2. Turn the **Navigation dial** to select **Extra Rinse**, and then tap **OK**.
3. Tap **OK** to select **On** or **Off**.

Pre Soak

This adds 30 minutes of soaking time at the start of the wash cycle for better stain removal.

1. Select a cycle and change the cycle settings as necessary.
2. Tap **Options**.
3. Turn the **Navigation dial** to select **Pre Soak**, and then tap **OK**.
4. Tap **OK** to select **On** or **Off**.



My Cycles

Add or remove cycles to create a personal cycle list.



1. Tap **Options**.
2. Turn the **Navigation dial** to select **My Cycles**, and then tap **OK**.
 - You can only edit a cycle to create a personal cycle when the washer is not operating.
3. Turn the **Navigation dial** to select a desired cycle.
4. Tap **OK** to add or remove the selected cycle.
 - Addition and removal of the course is saved automatically.
5. Once you finish creating My Cycles, tap **Options** to return to the cycles screen.

NOTE

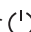
- The Normal cycles cannot be removed from the cycles list.
- You can also edit My Cycles in the SmartThings app.


Delay End

You can set the washer to finish your wash automatically at a later time, choosing a delay of between 1 to 24 hours (in 1 hour increments). The hour displayed indicates the time the wash will finish.


1. Select a cycle and change the cycle settings as necessary.
2. Tap **Options**.
3. Turn the **Navigation dial** to select **Delay End**, and then tap **OK**.
4. Turn the **Navigation dial** to select the desired time, and then tap **OK**.
5. Tap and hold .
 - Status shows in the display and the washer tumbles the drum to sense the weight of the load (if load sensing is preset for the selected cycle). When load sensing is complete, the display shows the remaining time until the end of the wash cycle.
 - To cancel Delay End, tap  to restart the washer.

Child Lock

To prevent children or infants from accidentally starting or setting the washer, Child Lock locks all buttons except for  and **Options**.

1. Tap **Options**.
2. Turn the **Navigation dial** to select **Child Lock**, and then tap **OK**.
3. Tap **OK** to select **On** or **Off**.
 - The Child Lock  icon turns on when the function is on.

NOTE

- When Child Lock is on, all buttons are disabled except for  and **Options**. The washer door also locks.
- Tapping a button while Child Lock is on triggers an alarm with the “**Child Lock on**” message.
- You cannot open the door after a wash cycle when the Child Lock is on. Turn the function off before opening the door to take out the laundry.



Operations

Settings

Using Settings

1. Tap and hold **Options** for 3 seconds.
2. Turn the **Navigation dial** and select the desired system function, and then tap **OK**.
3. Tap **OK** to change the selected function's settings or start the function.

NOTE

To return to the main screen, tap **Options** again or turn the **Navigation dial** to select **Back** and tap **OK**.

AI Pattern

This function saves frequently used cycles and settings. When you turn the function on, the washer remembers the cycles you use most and their settings (Temp., Rinse, Spin) and displays them in frequency order.

1. Tap and hold **Options** for 3 seconds.
2. Turn the **Navigation dial** to select **AI Pattern**, and then tap **OK**.
3. Tap **OK** to select **On** or **Off**.
 - The default setting is On. Set it to Off if you do not want to use this function.
 - When you turn off the function, all the saved data resets.

Sound

You can turn on or off the sound from the washer.

1. Tap and hold **Options** for 3 seconds.
2. Turn the **Navigation dial** to select **Sound**, and then tap **OK**.
3. Tap **OK** to select **On** or **Off**.
 - The default setting is On.

NOTE

The setting remains unchanged even if you restart the washer.

Calibration


You can run calibration again for accurate weight detection.

1. Tap and hold **Options** for 3 seconds.
2. Turn the **Navigation dial** to select **Calibration**, and then tap **OK**.
 - Calibration does not start if the door is not closed properly.
 - The drum rotates clockwise and anticlockwise for about 3 minutes.
3. When calibration is complete, the "Calibration complete" message appears on the display and the washer turns off automatically.



Wi-Fi

You can turn the washer's Wi-Fi on or off.

1. Tap and hold **Options** for 3 seconds.
2. Turn the **Navigation dial** to select **Wi-Fi**, and then tap **OK**.
3. Tap **OK** to select **On** or **Off**.
 - The washer's Wi-Fi is on as a factory default setting. However, the washer's Wi-Fi turns on automatically when you turn on the washer for the first time. Then, the final Wi-Fi setting maintains regardless of the washer power status.
 - Once you turn on the washer's Wi-Fi and connect to a network, the washer remains connected to the network even when you turn off the power.
 - The Wi-Fi  indicates that the washer is connected to the router through the Wi-Fi connection.


Language

You can change the system language.

1. Tap and hold **Options** for 3 seconds.
2. Turn the **Navigation dial** to select **Language**, and then tap **OK**.
3. Turn the **Navigation dial** to select the desired language, and then tap **OK**.

Self Diagnosis

You can use this function to check if there are any abnormal signs on your washing machine.

1. Tap and hold **Options** for 3 seconds.
2. Turn the **Navigation dial** to select **Self Diagnosis**, and then tap **OK**.
 - Self Diagnosis starts immediately and "**Testing...**" is displayed during the self diagnosis process.
 - Once the self diagnosis process starts, only the  button remains active.
 - If the washing machine detects any errors, an information code and the solution is displayed on the control panel.

Factory Reset

You can reset the washer.

1. Tap and hold **Options** for 3 seconds.
2. Turn the **Navigation dial** to select **Factory Reset**, and then tap **OK**.
 - Your washer resets to the factory setting.




Operations

Special features

Smart control (applicable models only)

You can connect to the SmartThings app and control your washer remotely.

Connecting your washer

1. Download and open the SmartThings app on your smartphone or tablet (Android & iOS).
2. Tap  to turn on the washer.
3. Tap and hold **Smart Control**.
 - a. The washer enters AP mode and connects to your smartphone or tablet.
 - b. Tap **Smart Control** to authenticate your washer.
 - c. Once the authentication process is complete, your washer is successfully connected to the app.
 - You can use various features available in the SmartThings app.

NOTE

- If your washer fails to connect with the SmartThings app, try again.
- Check your router if you experience any Internet connection problem after connecting your washer with the SmartThings app.
- If the Wi-Fi is off, tap and hold **Options** for 3 seconds to enter the System functions menu, and select Wi-Fi to turn it on.
- Turning the washer's Wi-Fi on allows you connect to the washer via SmartThings app on your smartphone or tablet, regardless of the power status of the washer. However, the washer appears offline on the SmartThings app if the washer's Wi-Fi is off.
- Close the door before starting the Smart Control function.
- If you use your washer for a while without connecting it to the SmartThings app, a pop-up message about Smart Control will show for 3 seconds.
- If the washer's Wi-Fi is not connected to an AP (access point), the Wi-Fi will turn off when you turn of the power.

Stay Connect

Set up the Stay Connect function in your SmartThings app to keep Smart Control turned on at the end of a cycle. Your washer stays connected to the app so you can send additional instructions, whether you are at home or away.

1. If you turn on the Stay Connect function on the SmartThings app, the washer will stay in standby power saving mode after completing a cycle.
 - The Stay Connect function will remain active for up to 7 days if the door remains closed.
2. When the Stay Connect function is active, the Smart Control, Door Lock, and Wi-Fi icons are illuminated on your washer display.
3. You can conveniently control your washer, adding rinse, spin or dry cycles using the SmartThings app.

NOTE

- The washer switches to standby power saving mode when operation is paused even if the machine is not connected to the SmartThings app.
- In some circumstances, only the Door Lock icon may be illuminated.



SmartThings

Wi-Fi connection

On your smartphone or tablet, go to **Settings** and turn on the wireless connection and select an AP (Access Point).

- This appliance supports the Wi-Fi 2.4 GHz protocols.

Download

On an app market (Google Play Store, Apple App Store, Samsung Galaxy Apps), find the SmartThings app by searching for “SmartThings”. Download and install the app on your device.

NOTE

The app is subject to change without notice for improved performance.

Log in

You must first log into SmartThings with your Samsung account. To create a new Samsung account, follow the instructions on the app. You don't need a separate app to create your account.

NOTE

If you have a Samsung account, use the account to log in. A registered Samsung smartphone or tablet user automatically logs in.

To register your appliance to SmartThings

1. Make sure your smartphone or tablet is connected to a wireless network. If not, go to **Settings** and turn on the wireless connection and select an AP (Access Point).
2. Open **SmartThings** on your smartphone or tablet.
3. If a message of “A new device is found.”, select **Add**.
4. If no message appears, select **+** and select your appliance in a list of devices available. If your appliance is not listed, select **Device Type** > **Specific Device Model**, and then add your appliance manually.
5. Register your appliance to the SmartThings app as follows.
 - a. Add your appliance to SmartThings. Make sure your appliance is connected to SmartThings.
 - b. When registration is complete, your appliance appears on your smartphone or tablet.

If you're moving out, we recommend you completely wipe the appliance and do a network reset on it before you leave it behind.

If you're moving in, the easiest way to take control and remove the previous user's access is to add it to SmartThings yourself. But if you don't plan on using SmartThings, a network reset should be performed to protect your privacy. In rental properties, there's a regular change of ownership. To ensure resident privacy, Wi-Fi and/or other connectivity settings should be reset at each change of resident. Please refer to factory reset instructions in this manual.



Maintenance



Keep the washer clean to prevent deteriorated performance and to preserve its life cycle.

WARNING

Certain internal parts are intentionally not grounded and may present a risk of electric shock only during servicing. Service personnel – Do not contact the following parts while the appliance is energized: Control board, heat sink, motor, inlet valve and pump.

Self Clean+

Certain usage and environmental conditions may result in some residue build-up or odor in the washer drum. To prevent this build-up or odor and keep your washer drum fresh and clean, perform the Self Clean+ cycle at least once a month or every 40 cycles. Perform the recommended procedure below when using the Self Clean+ cycle.

1. Tap .
2. Turn the **Navigation dial** to select **Self Clean+**.
3. Tap and hold .


CAUTION

If there is chlorine bleach left in the washer drum for an extended period of time, rust can occur.

NOTE

- The water temperature for Self Clean+ is defaulted to Extra Hot. This temperature cannot be changed.
- In the case where residue is present in the washer drum, add liquid chlorine bleach to the MAX level line in the main-wash compartment before starting the Self Clean+ cycle. Do not add the liquid chlorine bleach to the bleach compartment (This is only the case for Self Clean+ cycle).
- Do not exceed the max line. Do not use or mix any other detergent or chemicals during the Self Clean+ cycle. If necessary, run a Rinse+Spin cycle after the Self Clean+ cycle has completed to help remove any remaining residue.

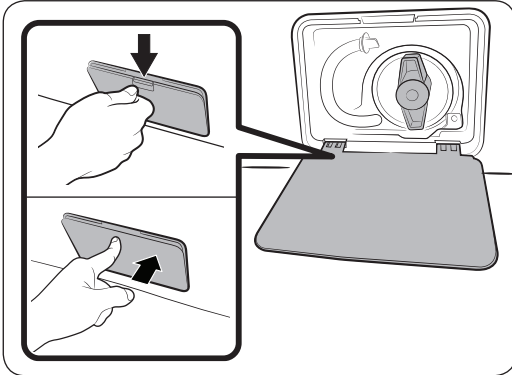
Self Clean+ reminder

- After every 40 cycles, the washer displays the “**Remove laundry and hold  to clean washer**” message for an hour to alert you to run the **Self Clean+** cycle.
- It is recommended to run the cycle regularly for hygienic purposes.
- You will see the **Self Clean+** alert message when the washer completes a cycle. If you open the door, the message disappears, and the display shows the **Self Clean+** cycle setting screen automatically.
- The reminder will appear on the control panel for 5 additional consecutive cycles before turning off. The next reminder will not appear until another 40 cycles have been completed.

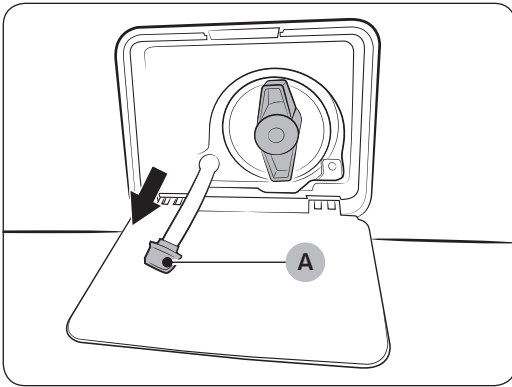


Emergency drain

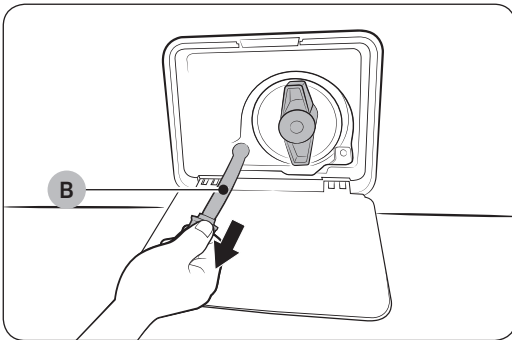
In case of a power failure, drain the water inside the drum before taking out the laundry.



1. Power off and unplug the washer from the electrical outlet.
2. Open the **filter cover**.
 - TYPE 1: Push down the latch of the filter cover to open.
 - TYPE 2: Gently press the top area of the filter cover to open.



3. Put an empty, spacious container around the cover, and stretch the emergency drain tube to the container while holding the **tube cap (A)**.



4. Open the tube cap and let water in the **emergency drain tube (B)** flow into the container.
5. When done, close the tube cap, and reinsert the tube. Then, close the filter cover.

NOTE

Use a spacious container because the water in the drum may be more than expected.



Maintenance

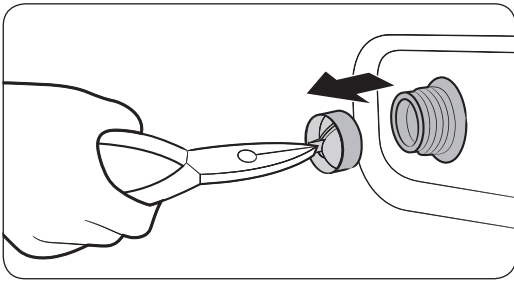
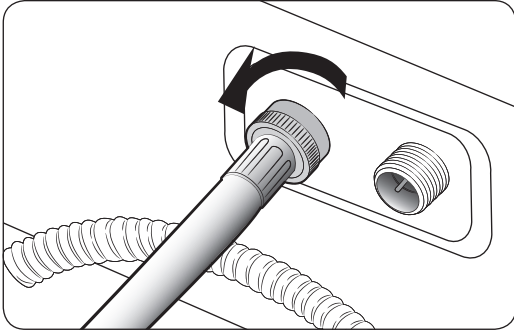
Cleaning

Surface of the washer

Use a soft cloth with a nonabrasive household detergent. Do not spray water onto the washer.

Mesh filter

Clean the mesh filter of the water hose once or twice a year.



1. Turn off the washer, and unplug the power cord.
2. Close the water tap.
3. Loosen and disconnect the water hose from the back of the washer. Cover the hose with a cloth to prevent water from gushing out.
4. Use pliers to pull out the mesh filter from the inlet valve.
5. Submerge the mesh filter deeply in water so that the threaded connector is also submerged.
6. Dry the mesh filter completely in the shade.
7. Reinsert the mesh filter into the inlet valve, and reconnect the water hose to the inlet valve.
8. Open the water tap.

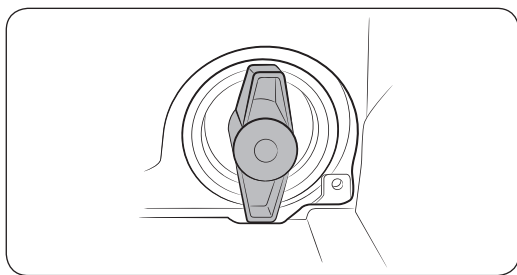
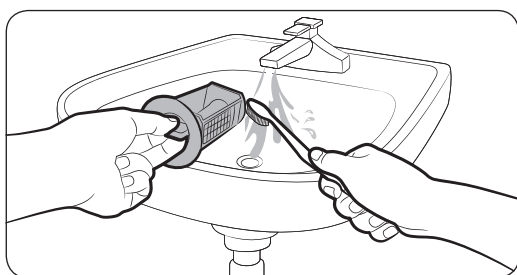
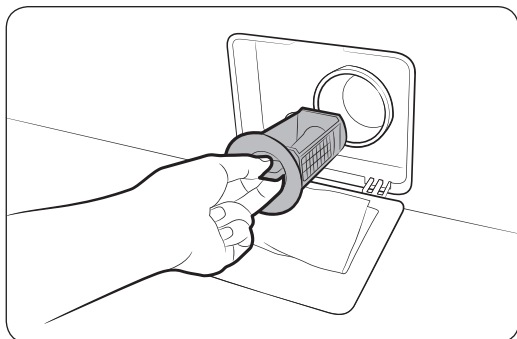
NOTE

If the mesh filter is clogged, an information code of **“Check water supply faucets and restart”** appears on the screen.



Pump filter

It is advisable to clean the pump filter every 2 months to prevent its clogging. A clogged pump filter may reduce the bubble effect.



1. Turn off the washer, and unplug the power cord.
2. Drain the remaining water inside the drum. See the **Emergency drain** section.
3. Gently press the top area of the **filter cover** to open.
4. Turn the pump filter knob to the left, and drain off the remaining water.
5. Clean the pump filter using soft brushes. Make sure the drain pump propeller inside the filter is unclogged.
6. Reinsert the pump filter, and turn the filter knob to the right.

NOTE

- Some pump filters feature a safety knob that is designed to prevent accidents by children. To open the safety knob of the pump filter, push in and turn it anticlockwise. The spring mechanism of the safety knob helps open the filter.
- To close the safety knob of the pump filter, turn it clockwise. The spring makes a rattling sound, which is normal.

NOTE

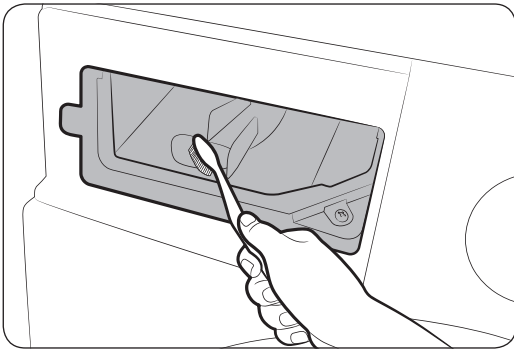
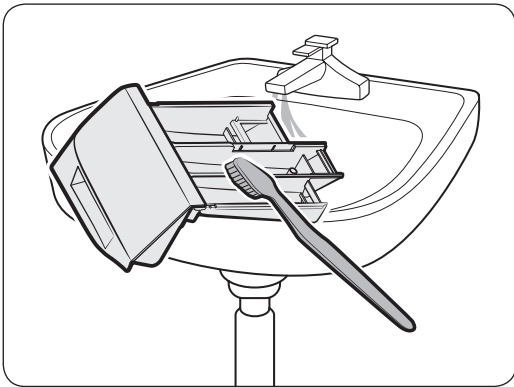
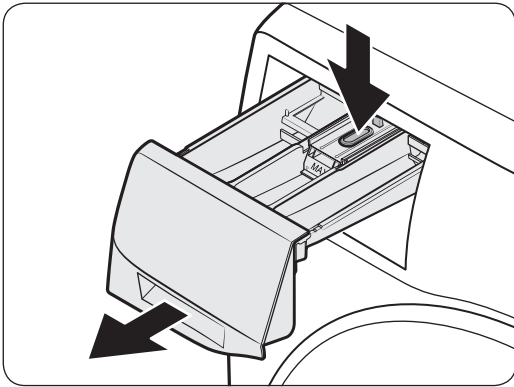
- The “**Clean drain filter**” message appears on the control panel display after every 100 washes.
- If the pump filter is clogged, an information code of “**Clean drain filter**” appears on the screen.

CAUTION

- Make sure the filter knob is closed properly after cleaning the filter. Otherwise, this may cause a leak.
- Make sure the filter is inserted properly after cleaning it. Otherwise, this may cause an operational failure or a leak.

Maintenance

Detergent drawer



1. While holding down the **release lever** inside the drawer, slide open the drawer.
2. Clean the drawer components in flowing water using a soft brush.
3. Clean the drawer recess using a bottle brush to remove detergent residues and limescale on the drawer recess.
4. Reinsert the liquid detergent container to the drawer.
5. Slide the drawer inward to close it.

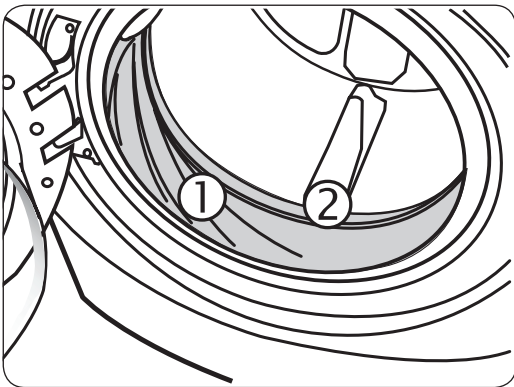
NOTE

Make sure the drawer recess is completely dry before inserting the detergent drawer.

NOTE

To remove remaining detergent, perform the **Rinse+Spin** cycle with the drum being empty.

Door diaphragm



1. Open the washer door and remove any clothing or items from the washer.
2. Check if there are any foreign substances on the grey Diaphragm ① between the lid and the drum. To check this, turn the Diaphragm ② out.
3. If there are any foreign substances, remove them.
4. If you find stained areas, wipe them down using the procedure below:
 - a) Carefully combine $\frac{3}{4}$ cup (177 mL) of liquid chlorine bleach with 1 gal. (3.8 L) of warm tap water.
 - b) Wipe the Diaphragm area with the dilute solution using a damp cloth.
 - c) Let stand 5 minutes.
 - d) Wipe down the area thoroughly with a dry cloth and let the washer interior air dry with the door open.

CAUTION

Wear rubber gloves when cleaning for prolonged periods.
Refer to the bleach manufacturer's instructions for proper use.

Recovery from freezing

The washer may freeze when it drops below 0 °C.

1. Turn off the washer, and unplug the power cord.
2. Pour warm water over the water tap to loosen the water hose.
3. Disconnect the water hose, and soak it in warm water.
4. Pour warm water into the drum and leave it for about 10 minutes.
5. Reconnect the water hose to the water tap.

NOTE

If the washer still doesn't operate normally, repeat the above steps until it operates normally.



Maintenance

Care for an extended period of non-use

Avoid leaving the washer unused for an extended time. If this is the case, drain the washer and unplug the power cord.

1. Turn the **Navigation dial** to select **Rinse+Spin**.
2. Empty the drum, and then tap and hold **▷||**.
3. When the cycle is complete, close the water tap and disconnect the water hose.
4. Turn off the washer, and unplug the power cord.
5. Open the door to let air circulate through the drum.

Cleaning the exterior

1. Turn off the water faucets after finishing the day's washing.
This will shut off the water supply to your washer and prevent the unlikely possibility of damage from escaping water. Leave the door open to allow the inside of your washer to dry out.
2. Use a soft cloth to wipe up all detergent, bleach or other spills as they occur.
Clean the following as recommended below:
 - Control Panel – Clean with a soft, damp cloth.
Do not use abrasive powders or cleaning pads. Do not spray cleaners directly on the panel.
 - Cabinet – Clean with soap and water.

Cleaning the interior

Clean the interior of your washer periodically to remove any dirt, soil, odor, mold, mildew, or bacterial residue that may remain in your washer as a result of washing clothes.

CAUTION

Failure to follow these instructions may result in unpleasant conditions, including odors and/or permanent stains on your washer or laundry.

NOTE

Hard water deposits may be removed, if needed. Use a cleaner labeled "Washer safe".



Troubleshooting

If there is any problem, check the information message on the LCD screen and follow the on-screen instructions.

If the problem persists, please contact the service center.

Checkpoints

If you encounter a problem with the washer, first check the table below and try these suggestions.

Problem	Action
Does not start.	<ul style="list-style-type: none"> • Make sure the washer is plugged in. • Make sure the door is properly closed. • Make sure the water taps are open. • Tap and hold ▶ to start the washer. • Make sure Child Lock is not activated. • Before the washer starts to fill, it will make a series of clicking noises to check the door lock and will do quick drain. • Check the fuse or reset the circuit breaker. • Check if power is supplied properly. • Low voltage detected. <ul style="list-style-type: none"> - Check if the power cord is plugged in. • Make sure laundry is not caught in the door.
Water supply is insufficient, or no water is supplied.	<ul style="list-style-type: none"> • Fully open the water tap. • Make sure the door is properly closed. • Make sure the water supply hose is not frozen. • Make sure the water supply hose is not kinked or clogged. • Make sure there is sufficient water pressure. • Make sure that the cold water tap and the hot water tap are properly connected. • Clean the mesh filter as it may be clogged.
After a cycle, detergent remains in the detergent drawer.	<ul style="list-style-type: none"> • Make sure the washer is running with sufficient water pressure. • Make sure the detergent is added to the centre of the detergent drawer. • Make sure the rinse cap is inserted properly. • If using granular detergent, make sure the detergent selector is in the upper position. • Remove the rinse cap and clean the detergent drawer.

Troubleshooting

Problem	Action
<p>Excessive vibrations or makes noise.</p>	<ul style="list-style-type: none"> • Make sure the washer is installed on a level, solid floor that is not slippery. If the floor is not level, use the levelling feet to adjust the height of the washer. • Make sure the shipping bolts are removed. • Make sure the washer is not in contact with any other object. • Make sure the laundry load is balanced. • The motor can cause noise during normal operation. • Overalls or clothes with metallic decorations can cause noise while being washed. This is normal. • Metal objects such as coins can cause noise. After washing, remove these objects from the drum or filter case. • Redistribute the load. If only one item of clothing needs washing, such as a bathrobe or pair of jeans, the final spin result might be unsatisfactory, and a “Redistribute unbalanced load and restart” check message will be shown in the display.
<p>Does not drain and/or spin.</p>	<ul style="list-style-type: none"> • Make sure the drain hose is straightened all the way to the drain system. If you encounter a drain problem, call for service. • Make sure the pump filter is not clogged. • Close the door and tap and hold ▷ . For your safety, the washer will not tumble or spin unless the door is closed. • Make sure the drain hose is not frozen or clogged. • Make sure the drain hose is connected to a drain system that is not clogged. • If the washer is not supplied with sufficient power, the washer will temporarily not drain or spin. As soon as the washer regains sufficient power, it will operate normally. • Make sure the drain hose is positioned correctly, depending on the connection type. • Clean the pump filter as it may be clogged.
<p>The door does not open.</p>	<ul style="list-style-type: none"> • Tap and hold ▷ to stop the washer. • It may take a few moments for the door lock mechanism to disengage. • The door will not open until 3 minutes after the washer has stopped or the power has been off. • Make sure all the water in the drum is drained. • The door may not open if water remains in the drum. Drain the drum and open the door manually. • Make sure the door lock light is off. The door lock light turns off after the washer has drained.

Problem	Action
Excessive suds.	<ul style="list-style-type: none"> • Make sure you use the recommended types of detergent as appropriate. • Use high efficiency (HE) detergent to prevent oversudsing. • Reduce the detergent amount for soft water, small loads, or lightly soiled loads. • Non-HE detergent is not recommended.
Cannot add additional detergent.	<ul style="list-style-type: none"> • Make sure the remaining amount of detergent and fabric softener is not over the limit.
The washer Stops.	<ul style="list-style-type: none"> • Plug the power cord into a live electrical outlet. • Check the fuse or reset the circuit breaker. • Close the door, and tap and hold ▷ to start the washer. For your safety, the washer will not tumble or spin unless the door is closed. • Before the washer starts to fill, it will make a series of clicking noises to check the door lock and will do quick drain. • There may be a pause or soak period in the cycle. Wait briefly, and the washer may start. • Make sure the mesh filter of the water supply hose at the water taps is not clogged. Periodically clean the mesh filter. • If the washer is not supplied with sufficient power, the washer will temporarily not drain or spin. As soon as the washer regains sufficient power, it will operate normally.
Fills with the wrong water temperature.	<ul style="list-style-type: none"> • Fully open both taps. • Make sure the temperature selection is correct. • Make sure the hoses are connected to the correct taps. Flush water lines. • Make sure the water heater is set to supply a minimum of 120 °F (49 °C) hot water at the tap. Also, check the water heater capacity and recovery rate. • Disconnect the hoses and clean the mesh filter. The mesh filter may be clogged. • While the washer fills, the water temperature may change as the automatic temperature control feature checks incoming water temperature. This is normal. • While the washer fills, you may notice just hot and/or just cold water going through the dispenser when cold or warm temperatures are selected. This is a normal function of the automatic temperature control feature as the washer determines the water temperature.
Load is wet at the end of a cycle.	<ul style="list-style-type: none"> • Use the High or Extra High spin speed. • Use high efficiency (HE) detergent to reduce oversudsing. • Load is too small. Small loads (one or two items) may become unbalanced and not spin completely. • Make sure the drain hose is not kinked or clogged.



Troubleshooting

Problem	Action
Leaks water.	<ul style="list-style-type: none"> • Make sure the door is properly closed. • Make sure all hose connections are tight. • Make sure the end of the drain hose is correctly inserted and secured to the drain system. • Avoid overloading. • Use high efficiency (HE) detergent to prevent oversudsing. • Check the drain hose. <ul style="list-style-type: none"> - Make sure the end of the drain hose is not placed on the floor. - Make sure the drain hose is not clogged.
Has odours.	<ul style="list-style-type: none"> • Excessive suds collect in recesses and can cause foul odours. • Run cleansing cycles to sanitise periodically. • Clean the door seal (diaphragm). • Dry the washer interior after a cycle has finished.

If a problem persists, contact a service center. The number of the service center is on the label attached to the product.



Information codes

If the washer fails to operate, you may see an information code on the screen. Check the table below and try the suggestions.

Code	Action
Clean drain filter	<p>Water is not draining.</p> <ul style="list-style-type: none"> • Make sure the drain hose is not frozen or clogged. • Make sure the drain hose is positioned correctly, depending on the connection type. • Clean the pump filter as it may be clogged. • Make sure the drain hose is straightened all the way to the drain system. • If the information code remains, contact a customer service centre
Check water supply faucets and restart	<p>Water is not supplied.</p> <ul style="list-style-type: none"> • Make sure the water taps are open. • Make sure the water hoses are not clogged. • Make sure the water taps are not frozen. • Make sure the washer is operating with sufficient water pressure. • Make sure that the cold water tap and the hot water tap are properly connected. • Clean the mesh filter as it may be clogged. • All buttons will be disabled for 3 minutes after the information code appears. • When the "Check water supply faucets and restart" message appears, the machine drains water for 3 minutes. In the meantime, the Power button will be disabled.
Please connect the hot/cold water hose connection correctly	<ul style="list-style-type: none"> • Make sure the cold water supply hose is firmly connected to the cold water tap. If it is connected to the hot water tap, the laundry may be deformed with some cycles.
Redistribute unbalanced load and restart	<p>Spinning does not work.</p> <ul style="list-style-type: none"> • Make sure laundry is spread out evenly. • Make sure the washer is on a flat, stable surface. • Redistribute the load. If only one item of clothing needs washing, such as a bathrobe or pair of jeans, the final spin result might be unsatisfactory, and an "Redistribute unbalanced load and restart" check message will be shown in the display.
Close the washer door and try again	<p>Operating the washer with the door open.</p> <ul style="list-style-type: none"> • Make sure the door is properly closed. • Make sure laundry is not caught in the door.

Troubleshooting

Code	Action
OC	<p>Water has overflowed.</p> <ul style="list-style-type: none"> Restart after spinning. If the information code remains on the display, contact a local Samsung service centre.
LC, LC1	<p>Check the drain hose.</p> <ul style="list-style-type: none"> Make sure the end of the drain hose is not placed on the floor. Make sure the drain hose is not clogged. If the information code remains, contact a customer service centre.
3C	<p>Check the drum motor for operation.</p> <ul style="list-style-type: none"> Try restarting the cycle. If the information code remains, contact a customer service centre.
3CP	<p>The electronic control needs to be checked.</p> <ul style="list-style-type: none"> Try restarting the cycle. If the information code remains, contact a customer service centre.
UC	<p>Check the pulsator motor for operation.</p> <ul style="list-style-type: none"> Check if power is supplied properly. If the information code remains, contact a customer service centre.
	<p>Low voltage detected.</p> <ul style="list-style-type: none"> Check if the power cord is plugged in. If the information code remains, contact a customer service centre.
HC	<p>High temperature heating check.</p> <ul style="list-style-type: none"> If the information code remains, contact a customer service centre.
1C	<p>The Water Level sensor is not working properly.</p> <ul style="list-style-type: none"> Turn the machine off, and restart the cycle. If the information code remains, contact a customer service centre.
AC	<p>Check communications between main and sub PBAs.</p> <ul style="list-style-type: none"> Turn the machine off, and restart the cycle. If the information code remains, contact a customer service centre.
8C	<p>The MEMS sensor is not working properly.</p> <ul style="list-style-type: none"> Turn the machine off, and restart the cycle. If the information code remains, contact a customer service centre.
AC6	<p>Check communications between the main and the inverter PBAs.</p> <ul style="list-style-type: none"> Depending on the state, the machine may automatically returns to normal operation. Turn the machine off, and restart the cycle. If the information code remains, contact a customer service centre.

Code	Action
DC1	The Main Door lock/unlock is not working properly. <ul style="list-style-type: none">• Turn the machine off, and restart the cycle.• If the information code remains, contact a customer service centre.

If any information code keeps appearing on the screen, contact a local Samsung service centre.

Specifications

Fabric care chart

The following symbols provide garment care direction. The clothing care labels include symbols for drying, bleaching, drying and ironing, or dry cleaning when necessary. The use of symbols ensures consistency among garment manufacturers of domestic and imported items. Follow care label directions to optimize garment life and reduce laundering problems.

Wash cycle

	Normal
	Permanent press/Wrinkle resistant/Wrinkle control
	Gentle/Delicates
	Hand wash

Water temperature

...	Hot
..	Warm
.	Cold

NOTE

The temperature range for Hot is 135 °F (57 °C) or below, 95 °F (35 °C) or below for Warm, and 68 °F (20 °C) or below for Cold. Wash water temperature must be a minimum of 60 °F (16 °C) for detergent activation and effective cleaning.

Bleach

	Any bleach (when needed)
	Only non-chlorine (color-safe) bleach (when needed)
	Tumble dry

Normal

	Permanent press/Wrinkle resistant/Wrinkle control
	Gentle/Delicates

Special instructions

	Line dry/Hang to dry
	Drip dry
	Dry flat

Heat setting

	High
	Medium
	Low
	Any heat
	No heat / Air

Iron dry or steam temperatures

	High
	Medium
	Low

Warning symbols for laundering

	Do not wash
	Do not wring
	Do not bleach
	Do not tumble dry
	No steam (added to iron)
	Do not iron

Dry-clean

	Dry-clean
	Do not dry-clean
	Line dry / Hang to dry
	Drip dry
	Dry flat

Protecting the environment

- This appliance is manufactured from recyclable materials. If you decide to dispose of it, please observe local waste disposal regulations. Cut off the power cord so that the appliance cannot be connected to a power source. Remove the lid so that animals and small children cannot get trapped inside the appliance.
- Do not exceed the detergent quantities recommended in the detergent manufacturers' instructions.
- Use stain removal products and bleaches before the wash cycle only when necessary.
- Save water and electricity by only washing full loads (the exact amount depends upon the program used).

Declaration of conformity

This appliance complies with UL2157.

Specification sheet

Type		Front loading washer	
Model name		WW25B6900**	
Water pressure (psi (kPa))		20 - 116 (137 - 800)	
NET weight (lb (kg))		163 (74)	
Spin revolutions		1400 rpm	
Heater rating		900 W	
Power consumption	Washing	120 V	200 W
	Washing and heating		1150 W
	Spin		550 W
	Drain		80 W



LIMITED WARRANTY (U.S.A.)

SAMSUNG WASHER

LIMITED WARRANTY TO ORIGINAL CONSUMER PURCHASER WITH PROOF OF PURCHASE

This SAMSUNG brand product, as supplied and distributed by SAMSUNG ELECTRONICS AMERICA, INC. (SAMSUNG) and delivered new, in the original carton to the original consumer purchaser, is warranted by SAMSUNG against manufacturing defects in materials or workmanship for the limited warranty period, starting from the date of original purchase, of:

One (1) year parts and labor,

Three (3) years stainless tub part (Part Only),

Ten (10) years washing Digital Inverter Motor part (Part Only)

This limited warranty is valid only on products purchased and used in the United States that have been installed, operated, and maintained according to the instructions attached to or furnished with the product. To receive warranty service, the purchaser must contact SAMSUNG at the address or phone number provided below for problem determination and service procedures. Warranty service can only be performed by a SAMSUNG authorized service center. The original dated bill of sale must be presented upon request as proof of purchase to SAMSUNG or SAMSUNG's authorized service center to receive warranty service.

SAMSUNG will provide in-home service within the contiguous United States during the warranty period at no charge, subject to availability of SAMSUNG authorized servicers within the customer's geographic area. If in-home service is not available, SAMSUNG may elect, at its option, to provide transportation of the product to and from an authorized service center. If the product is located in an area where service by a SAMSUNG authorized servicer is not available, you may be responsible for a trip charge or required to bring the product to a SAMSUNG authorized service center for service.

To receive in-home service, product must be unobstructed and accessible to the service agent.

During the applicable warranty period, a product will be repaired, replaced, or the purchase price refunded, at the sole option of SAMSUNG. SAMSUNG may use new or reconditioned parts in repairing a product, or replace the product with a new or reconditioned product. Replacement parts and products are warranted for the remaining portion of the original product's warranty or ninety (90) days, whichever is longer. All replaced parts and products are the property of SAMSUNG and you must return them to SAMSUNG.



This limited warranty covers manufacturing defects in materials or workmanship encountered in normal household, noncommercial use of this product and shall not cover the following: damage that occurs in shipment, delivery, installation, and uses for which this product was not intended; damage caused by unauthorized modification or alteration of the product; product where the original factory serial numbers have been removed, defaced, changed in any way, or cannot be readily determined; cosmetic damage including scratches, dents, chips, and other damage to the product's finishes; damage caused by abuse, misuse, pest infestations, accident, fire, floods, or other acts of nature or God; damage caused by use of equipment, utilities, services, parts, supplies, accessories, applications, installations, repairs, external wiring or connectors not supplied or authorized by SAMSUNG; damage caused by incorrect electrical line current, voltage, fluctuations and surges; damage caused by failure to operate and maintain the product according to instructions; in-home instruction on how to use your product; and service to correct installation not in accordance with electrical or plumbing codes or correction of household electrical or plumbing (i.e., house wiring, fuses, or water inlet hoses). The cost of repair or replacement under these excluded circumstances shall be the customer's responsibility.

Visits by an authorized servicer to explain product functions, maintenance or installation are not covered by this limited warranty. Please contact SAMSUNG at the number below for assistance with any of these issues

EXCLUSION OF IMPLIED WARRANTIES

IMPLIED WARRANTIES, INCLUDING THE IMPLIED WARRANTIES OF MERCHANTABILITY OR FITNESS FOR A PARTICULAR PURPOSE, ARE LIMITED TO ONE YEAR OR THE SHORTEST PERIOD ALLOWED BY LAW. Some states do not allow limitations on how long an implied warranty lasts, so the above limitations or exclusions may not apply to you. This warranty gives you specific rights, and you may also have other rights, which vary from state to state.



LIMITED WARRANTY (U.S.A.)

LIMITATION OF REMEDIES

YOUR SOLE AND EXCLUSIVE REMEDY IS PRODUCT REPAIR, PRODUCT REPLACEMENT, OR REFUND OF THE PURCHASE PRICE AT SAMSUNG'S OPTION, AS PROVIDED IN THIS LIMITED WARRANTY. SAMSUNG SHALL NOT BE LIABLE FOR SPECIAL, INCIDENTAL OR CONSEQUENTIAL DAMAGES, INCLUDING BUT NOT LIMITED TO TIME AWAY FROM WORK, HOTELS AND/OR RESTAURANT MEALS, REMODELING EXPENSES, LOSS OF REVENUE OR PROFITS, FAILURE TO REALIZE SAVINGS OR OTHER BENEFITS REGARDLESS OF THE LEGAL THEORY ON WHICH THE CLAIM IS BASED, AND EVEN IF SAMSUNG HAS BEEN ADVISED OF THE POSSIBILITY OF SUCH DAMAGES. Some states do not allow exclusion or limitation of incidental or consequential damages, so the above limitations or exclusions may not apply to you. This warranty gives you specific rights, and you may also have other rights, which vary from state to state.

SAMSUNG does not warrant uninterrupted or error-free operation of the product. No warranty or guarantee given by any other person, firm, or corporation with respect to this product shall be binding on SAMSUNG.

To obtain warranty service, please contact SAMSUNG at:

Samsung Electronics America, Inc.

85 Challenger Road

Ridgefield Park, NJ 07660

1-800-SAMSUNG (726-7864)

www.samsung.com/us/support



Warranty (CANADA)

SAMSUNG WASHER

LIMITED WARRANTY TO ORIGINAL PURCHASER

This SAMSUNG brand product, as supplied and distributed by SAMSUNG ELECTRONICS CANADA, INC. (SAMSUNG) and delivered new, in the original carton to the original consumer purchaser, is warranted by SAMSUNG against manufacturing defects in materials and workmanship for a limited warranty period of:

One (1) year part and labor, Ten (10) years washing Digital Inverter Motor (Part only)

This limited warranty begins on the original date of purchase, and is valid only on products purchased and used in the Canada. To receive warranty service, the purchaser must contact SAMSUNG for problem determination and service procedures. Warranty service can only be performed by a SAMSUNG authorized service center. The original dated bill of sale must be presented upon request as proof of purchase to SAMSUNG or SAMSUNG's authorized service center. SAMSUNG will provide in-home service during the warranty period at no charge, subject to availability within the Canada. In-home service is not available in all areas.

To receive in-home service, product must be unobstructed and accessible to the service agent. If service is not available, SAMSUNG may elect to provide transportation of the product to and from an authorized service center.

SAMSUNG will repair, replace, or refund this product at our option and at no charge as stipulated herein, with new or reconditioned parts or products if found to be defective during the limited warranty period specified above. All replaced parts and products become the property of SAMSUNG and must be returned to SAMSUNG. Replacement parts and products assume the remaining original warranty, or ninety (90) days, whichever is longer. This limited warranty covers manufacturing defects in materials and workmanship encountered in normal, noncommercial use of this product and shall not apply to the following: damage that occurs in shipment; delivery and installation; applications and uses for which this product was not intended; altered product or serial numbers; cosmetic damage or exterior finish; accidents, abuse, neglect, fire, water, lightning, or other acts of nature or God; use of products, equipment, systems, utilities, services, parts, supplies, accessories, applications, installations, repairs, external wiring or connectors not supplied or authorized by SAMSUNG that damage this product or result in service problems; incorrect electrical line voltage, fluctuations and surges; customer adjustments and failure to follow operating instructions, maintenance and environmental instructions that are covered and prescribed in the instruction book; product removal and reinstallation; problems caused by pest infestations. This limited warranty does not cover problems resulting from incorrect electric current, voltage or supply, light bulbs, house fuses, house wiring, cost of a service call for instructions, or fixing installation errors. SAMSUNG does not warranty uninterrupted or error-free operation of the product.

EXCEPT AS SET FORTH HEREIN, THERE ARE NO WARRANTIES ON THIS PRODUCT EITHER EXPRESS OR IMPLIED, AND SAMSUNG DISCLAIMS ALL WARRANTIES INCLUDING, BUT NOT LIMITED TO, ANY IMPLIED WARRANTIES OF MERCHANTABILITY, INFRINGEMENT OR FITNESS FOR A PARTICULAR PURPOSE.



Warranty (CANADA)

NO WARRANTY OR GUARANTEE GIVEN BY ANY PERSON, FIRM, OR CORPORATION WITH RESPECT TO THIS PRODUCT SHALL BE BINDING ON SAMSUNG. SAMSUNG SHALL NOT BE LIABLE FOR LOSS OF REVENUE OR PROFITS, FAILURE TO REALIZE SAVINGS OR OTHER BENEFITS, OR ANY OTHER SPECIAL, INCIDENTAL OR CONSEQUENTIAL DAMAGES CAUSED BY THE USE, MISUSE, OR INABILITY TO USE THIS PRODUCT, REGARDLESS OF THE LEGAL THEORY ON WHICH THE CLAIM IS BASED, AND EVEN IF SAMSUNG HAS BEEN ADVISED OF THE POSSIBILITY OF SUCH DAMAGES.

NOR SHALL RECOVERY OF ANY KIND AGAINST SAMSUNG BE GREATER IN AMOUNT THAN THE PURCHASE PRICE OF THE PRODUCT SOLD BY SAMSUNG AND CAUSING THE ALLEGED DAMAGE. WITHOUT LIMITING THE FOREGOING, PURCHASER ASSUMES ALL RISK AND LIABILITY FOR LOSS, DAMAGE, OR INJURY TO PURCHASER AND PURCHASER'S PROPERTY AND TO OTHERS AND THEIR PROPERTY ARISING OUT OF THE USE, MISUSE, OR INABILITY TO USE THIS PRODUCT. THIS LIMITED WARRANTY SHALL NOT EXTEND TO ANYONE OTHER THAN THE ORIGINAL PURCHASER OF THIS PRODUCT, IS NONTRANSFERABLE AND STATES YOUR EXCLUSIVE REMEDY.

Some provinces do not allow limitations on how long an implied warranty lasts, or the exclusion or limitation of incidental or consequential damages, so the above limitations or exclusions may not apply to you.

This warranty gives you specific rights, and you may also have other rights, which vary from province to province.

To obtain warranty service, please contact SAMSUNG at:

Samsung Electronics Canada Inc.

2050 Derry Road West,

Mississauga, Ontario L5N 0B9 Canada.

1-800-SAMSUNG (726-7864)

www.samsung.com/ca/support (English)

www.samsung.com/ca_fr/support (French)

Visits by a Service Engineer to explain functions, maintenance or installation is not covered by warranty. Please contact the Samsung call center for help with any of these issues.







Scan the QR code* or visit
www.samsung.com/spsn
 to view our helpful
 How-to Videos and Live Shows

*Requires reader to be installed on your smartphone

Scan this with your smartphone

QUESTIONS OR COMMENTS?

COUNTRY	CALL	OR VISIT US ONLINE AT
U.S.A	1-800-SAMSUNG (726-7864) 1-844-SAM-PAYS (726-7297)	www.samsung.com/us/support
CANADA	1-800-SAMSUNG(726-7864) 1-844-SAM-PAYS (726-7297)	www.samsung.com/ca/support (English) www.samsung.com/ca_fr/support (French)



DC68-03645H-00

Lave-linge

Manuel d'utilisation

WW25B6900**

SAMSUNG



Table des matières

Consignes de sécurité	4
Remarques importantes sur les consignes de sécurité	4
Symboles de sécurité importants	4
Consignes de sécurité importantes	5
AVERTISSEMENT CONCERNANT LA PROPOSITION 65 DE L'ÉTAT DE CALIFORNIE	5
Avertissements importants concernant l'installation	6
Mises en garde pour l'installation	7
Avertissements importants concernant l'utilisation	7
Mises en garde concernant l'utilisation	9
Avertissements importants concernant le nettoyage	12
Avis réglementaire	13
Avis concernant la FCC	13
Notification IC	14
Déclaration de logiciel open source	15
Installation	16
Déballage de votre lave-linge	16
Ce qui est inclus	17
Conditions d'installation	19
Installation étape par étape	23
Avant de démarrer	29
Configuration initiale	29
Effectuer un calibrage (recommandé)	29
Instructions de lavage	30
Instructions relatives au tiroir à lessive	32
Opérations	35
Panneau de commande	35
Utilisation d'un cycle	37
Présentation des cycles	38
Tableau des cycles	40
Options	42
Réglages	44
Fonctions spéciales	46
SmartThings	47



Maintenance	48
Nettoyage+	48
Vidange d'urgence	49
Nettoyage	50
Faites attention à une inutilisation prolongée	54
Nettoyer l'extérieur	54
Nettoyer l'intérieur	54
Dépannage	55
Contrôles à effectuer	55
Codes d'information	59
Caractéristiques techniques	62
Tableau des symboles textiles	62
Protection de l'environnement	63
Déclaration de conformité	63
Fiche de caractéristiques techniques	63



Consignes de sécurité

Félicitations pour l'achat de votre nouveau lave-linge Samsung. Ce manuel contient de précieuses informations concernant l'installation, l'utilisation et l'entretien de votre appareil. Prenez le temps de le lire pour tirer pleinement profit de tous les avantages et de toutes les fonctionnalités de votre lave-linge.

Remarques importantes sur les consignes de sécurité

Veillez lire attentivement ce manuel afin d'utiliser cet appareil en toute sécurité et de profiter pleinement de toutes ses fonctionnalités. Conservez ce manuel dans un endroit sûr situé à proximité de l'appareil afin de pouvoir facilement vous y reporter en cas de besoin. N'utilisez pas cet appareil autrement que pour l'usage auquel il est destiné, conformément aux consignes du manuel.

Les consignes de sécurité et les avertissements décrits dans ce manuel ne sont pas exhaustifs. Il est de votre responsabilité de faire preuve de bon sens, de prudence et de discernement lors de l'installation, de l'entretien ou de l'utilisation de votre lave-linge.

Ces consignes d'utilisation couvrant plusieurs modèles, il se peut que les caractéristiques de votre lave-linge diffèrent légèrement de celles décrites dans ce manuel ; ainsi, certaines icônes d'avertissement peuvent ne pas s'appliquer à votre machine. Pour toute question, contactez votre centre de service le plus proche ou connectez-vous sur www.samsung.com.

Symboles de sécurité importants

Signification des icônes et signes repris dans ce manuel d'utilisation :

 **AVERTISSEMENT**

Risques ou pratiques inadaptées susceptibles de causer des **blessures corporelles graves voire mortelles et/ou des dommages matériels.**

 **ATTENTION**

Risques ou pratiques inadaptées susceptibles de causer des **blessures corporelles et/ou des dommages matériels.**

 **REMARQUE**

Indique la présence d'un risque de blessures ou de dommages matériels

Ces symboles d'avertissement ont pour but d'éviter tout risque de blessure corporelle.

Respectez-les en toutes circonstances.

Lisez attentivement ce manuel et conservez-le en lieu sûr afin de pouvoir le consulter ultérieurement.

Lisez attentivement toutes les consignes avant d'utiliser l'appareil.

Comme avec tout équipement électrique ou comportant des parties mobiles, il existe un certain nombre de dangers potentiels.

Pour utiliser cet appareil en toute sécurité, familiarisez-vous avec son fonctionnement et restez prudent lorsque vous l'employez.

CONSERVEZ SOIGNEUSEMENT CES CONSIGNES



Consignes de sécurité importantes

AVERTISSEMENT

Afin de réduire les risques d'incendie, d'électrocution ou de blessures physiques lors de l'utilisation de l'appareil, des précautions de base doivent être prises :

1. Lisez attentivement toutes les consignes avant d'utiliser l'appareil.
2. Ne lavez et ne faites sécher aucun article ayant été en contact de quelque manière que ce soit (nettoyage, lavage, trempage ou tache) avec de l'essence, des solvants de nettoyage à sec ou toute autre substance inflammable ou explosive. Ces substances dégagent en effet des vapeurs qui risquent de s'enflammer ou d'exploser.
3. Ne laissez pas les enfants jouer sur ou dans l'appareil. Une surveillance attentive s'impose lorsque l'appareil est utilisé à proximité d'enfants.
4. Avant la mise hors service ou au rebut de l'appareil, retirez le hublot du compartiment de lavage ou de séchage.
5. Ne tentez pas d'ouvrir l'appareil lorsque le tambour est en mouvement.
6. N'installez et n'entrez jamais cet appareil dans un endroit exposé aux intempéries.
7. Ne jouez pas avec les commandes internes de l'appareil.
8. Ne procédez pas à la réparation ou au remplacement des pièces de l'appareil et ne tentez pas non plus de le réparer vous-même, sauf si le manuel d'entretien ou de service contient des recommandations spécifiques en la matière que vous comprenez et êtes en mesure d'exécuter.
9. N'ajoutez jamais d'essence, de solvant de nettoyage à sec ou d'autres substances inflammables ou explosives dans l'eau du lave-linge. Ces substances dégagent en effet des vapeurs qui risquent de s'enflammer ou d'exploser.
10. Dans certaines conditions, de l'hydrogène peut être dégagé dans les systèmes d'eau chaude qui n'ont pas été utilisés depuis au moins 2 semaines. L'HYDROGÈNE EST UN GAZ EXPLOSIF. Si votre réseau d'eau chaude n'a pas été utilisé pendant au moins deux semaines, ouvrez tous les robinets d'eau chaude de votre maison et laissez l'eau couler plusieurs minutes avant d'utiliser votre lave-linge ou votre lave-linge/sèche-linge combiné. Cela permettra d'éliminer l'éventuelle accumulation d'hydrogène. L'hydrogène étant un gaz inflammable ; ne fumez pas et ne créez aucune flamme ni étincelle pendant cette opération.

AVERTISSEMENT CONCERNANT LA PROPOSITION 65 DE L'ÉTAT DE CALIFORNIE

AVERTISSEMENT

Risque de cancer ou de troubles de la reproduction - www.P65Warnings.ca.gov.

CONSERVEZ SOIGNEUSEMENT CES CONSIGNES



Consignes de sécurité

Avertissements importants concernant l'installation

AVERTISSEMENT

L'installation de cet appareil doit être effectuée par un technicien qualifié ou une société de réparation.

- Le non-respect de cette consigne peut entraîner une électrocution, un incendie, une explosion, des problèmes avec l'appareil ou des blessures.

Cet appareil étant très lourd, prenez toutes les précautions nécessaires pour le soulever.

Branchez le câble d'alimentation à une prise électrique murale qui est conforme aux spécifications électriques locales. Utilisez la prise uniquement pour cet appareil et n'utilisez pas de rallonge.

- Le fait de partager une prise murale avec d'autres appareils à l'aide d'une multiprise ou d'une rallonge peut entraîner une électrocution ou un incendie.
- Assurez-vous que la tension d'alimentation, la fréquence et le courant correspondent aux spécifications du produit. Le non-respect de cette consigne peut entraîner une électrocution ou un incendie.

Éliminez régulièrement toute eau, poussière ou corps étranger des prises murales et zones de contact à l'aide d'un chiffon sec.

- Débranchez le cordon d'alimentation et nettoyez-le à l'aide d'un chiffon sec.
- Le non-respect de cette consigne peut entraîner une électrocution ou un incendie.

Branchez la prise d'alimentation dans la prise murale de sorte que le cordon touche le sol.

- Si vous branchez le cordon d'alimentation dans l'autre sens, les fils électriques à l'intérieur du câble pourront être endommagés, entraînant un risque d'électrocution ou d'incendie.

Conservez tous les matériaux d'emballage hors de la portée des enfants car ils pourraient être dangereux.

- Un enfant pourrait s'étouffer s'il met sa tête dans un sac.

Si l'appareil, la prise ou le cordon d'alimentation est endommagé(e), contactez le centre de réparation le plus proche.

Cet appareil doit être correctement mis à la terre.

Ne reliez pas le conducteur de terre de l'appareil à un tuyau de gaz, un tuyau de canalisation en plastique ou une ligne téléphonique.

- Risques d'électrocution, d'incendie, d'explosion ou de dysfonctionnement.
- Ne branchez jamais le cordon d'alimentation dans une prise qui n'est pas correctement mise à la terre et assurez-vous qu'elle soit conforme aux codes de votre région et de votre pays.

N'installez jamais cet appareil près d'un radiateur ou de matériaux inflammables.

N'installez pas cet appareil dans un endroit humide, huileux ou poussiéreux, dans un endroit exposé à la lumière directe du soleil ou à l'eau (de pluie).

N'installez pas cet appareil dans une pièce exposée à de basses températures.

- Le gel risquerait de faire éclater les tuyaux.

N'installez pas l'appareil dans un lieu où une fuite de gaz est susceptible de se produire.

- Cela pourrait entraîner une électrocution ou un incendie.

CONSERVEZ SOIGNEUSEMENT CES CONSIGNES



N'utilisez pas de transformateur électrique.

- Cela pourrait entraîner une électrocution ou un incendie.

N'utilisez pas de prise ou de cordon d'alimentation endommagé(e) ou de prise murale mal fixée.

- Cela pourrait entraîner une électrocution ou un incendie.

Ne tirez pas et ne pliez pas le cordon d'alimentation excessivement.

Ne vrillez pas et n'attachez pas le cordon d'alimentation.

N'accrochez pas le cordon d'alimentation sur un objet métallique, ne posez pas d'objet lourd sur le cordon d'alimentation, ne l'insérez pas entre des objets et ne le coincez pas dans l'espace situé derrière l'appareil.

- Cela pourrait entraîner une électrocution ou un incendie.

Ne tirez pas sur le cordon d'alimentation pour le débrancher.

- Débranchez le cordon en tirant la prise.
- Le non-respect de cette consigne peut entraîner une électrocution ou un incendie.

L'appareil doit être positionné de telle manière que la prise de courant, les robinets d'arrivée d'eau et les tuyaux d'évacuation restent accessibles en permanence.

Mises en garde pour l'installation

ATTENTION

Cet appareil doit être positionné de façon à permettre l'accès à la prise d'alimentation.

- Le non-respect de cette consigne peut entraîner une électrocution en cas de fuite de courant.

Installez l'appareil sur un sol plan et solide, capable de supporter son poids.

- Le non-respect de cette consigne peut entraîner des vibrations, des mouvements et des bruits anormaux ou des problèmes avec l'appareil.

Avertissements importants concernant l'utilisation

AVERTISSEMENT

En cas d'inondation, coupez immédiatement l'alimentation en eau et l'alimentation électrique et contactez votre centre de réparation le plus proche.

- Ne touchez pas la prise d'alimentation avec des mains mouillées.
- Vous risqueriez de vous électrocuter.

Si l'appareil émet des bruits anormaux ou dégage une odeur de brûlé ou de la fumée, débranchez-le immédiatement et contactez votre centre de réparation le plus proche.

- Le non-respect de cette consigne peut entraîner une électrocution ou un incendie.

En cas de fuite de gaz (propane, GPL, etc.), aérez immédiatement sans toucher à la prise d'alimentation. Ne touchez pas l'appareil ou le cordon d'alimentation.

- N'utilisez pas de ventilateur.

CONSERVEZ SOIGNEUSEMENT CES CONSIGNES



Consignes de sécurité

- Une étincelle peut entraîner une explosion ou un incendie.

Ne laissez pas les enfants jouer sur ou dans le lave-linge. Avant de vous mettre au rebut votre lave-linge, retirez la manette du hublot du lave-linge.

- Si des enfants venaient à être piégés à l'intérieur de l'appareil, ils risqueraient de s'asphyxier et d'en mourir.

Assurez-vous de retirer l'emballage (mousse, polystyrène) fixé au bas du lave-linge avant d'utiliser celui-ci.

Ne lavez pas le linge contaminé par de l'essence, du kérosène, du benzène, du diluant pour peinture, de l'alcool ou toute autre substance inflammable ou explosive.

- Risque d'électrocution, d'incendie ou d'explosion.

Ne forcez pas l'ouverture du hublot pendant le fonctionnement de l'appareil (lavage à haute température/ séchage/ essorage).

- Une fuite peut provoquer des brûlures ou rendre le sol glissant. Cela pourrait entraîner des blessures.
- L'ouverture forcée du hublot peut entraîner des dommages sur l'appareil ou des blessures.

Ne touchez pas la prise d'alimentation avec des mains mouillées.

- Cela pourrait entraîner une électrocution.

Ne débranchez pas l'appareil si celui-ci est en cours de fonctionnement.

- Le fait de rebrancher la prise d'alimentation dans la prise murale peut provoquer une étincelle et entraîner une électrocution ou un incendie.

Ne laissez pas les enfants monter dans ou sur l'appareil.

- Cela pourrait entraîner une électrocution, des brûlures ou des blessures.

N'insérez pas votre main ou un objet métallique sous le lave-linge pendant son fonctionnement.

- Cela pourrait entraîner des blessures.

Ne débranchez pas l'appareil en tirant le cordon d'alimentation. Tenez toujours fermement la prise et tirez-la tout droit de la prise murale.

- Un cordon d'alimentation endommagé risque de provoquer un court-circuit, un incendie et/ou une électrocution.

Ne tentez pas de réparer, de démonter ou de modifier l'appareil vous-même.

- N'utilisez pas de fusible (cuivre, fil d'acier, etc.) autre que le fusible standard.
- Lorsque l'appareil doit être réparé ou réinstallé, contactez votre centre de réparation le plus proche.
- Le non-respect de cette consigne peut entraîner une électrocution, un incendie, des problèmes avec l'appareil ou des blessures.

Si le tuyau d'arrivée d'eau se déconnecte du robinet et inonde l'appareil, débranchez le lave-linge.

- Le non-respect de cette consigne peut entraîner une électrocution ou un incendie.

Débranchez la prise d'alimentation lorsque l'appareil n'est pas utilisé pendant des périodes prolongées ou lors d'orages violents.

- Le non-respect de cette consigne peut entraîner une électrocution ou un incendie.

CONSERVEZ SOIGNEUSEMENT CES CONSIGNES



Si une substance étrangère pénètre dans l'appareil, débranchez-le et contactez votre service clientèle Samsung le plus proche.

- Cela pourrait entraîner une électrocution ou un incendie.

Ne laissez pas les enfants (ou les animaux domestiques) jouer sur ou dans votre lave-linge. Le hublot du lave-linge ne s'ouvre pas facilement de l'intérieur ; un enfant peut donc se blesser gravement s'il est enfermé dans l'appareil.

Mises en garde concernant l'utilisation

ATTENTION

Si le lave-linge est contaminé par des corps étrangers (ex. : détergent, saletés, déchets alimentaires etc.), débranchez-le et nettoyez-le à l'aide d'un chiffon doux humide.

- À défaut, une décoloration, une déformation, des dommages ou de la rouille peuvent apparaître.

La vitre du hublot peut être endommagée par un impact fort. Utilisez le lave-linge avec précaution.

- Si la vitre du hublot est endommagée, il existe un risque de blessure.

Après une interruption d'arrivée d'eau ou en rebranchant le tuyau d'arrivée d'eau au robinet, ouvrez celui-ci lentement.

Ouvrez le robinet d'arrivée d'eau lentement après une période prolongée de non-utilisation.

- La pression d'air dans le tuyau d'arrivée d'eau ou la canalisation d'eau peut entraîner des dommages à certaines pièces ou une fuite d'eau.

En cas de vidange défectueuse durant un cycle, vérifiez s'il y a un problème de vidange.

- Si le lave-linge est utilisé pendant une inondation (problème de vidange), il existe un risque d'électrocution ou d'incendie.

Introduisez complètement le linge dans le lave-linge afin qu'il ne reste pas coincé dans le hublot.

- Si du linge reste coincé dans le hublot, il peut être endommagé, ainsi que le lave-linge, ou une fuite d'eau peut survenir.

Coupez l'alimentation en eau lorsque le lave-linge n'est pas en cours d'utilisation.

- Assurez-vous que la vis du raccord du tuyau d'arrivée d'eau soit bien serrée.

Veillez à ce que le joint en caoutchouc et la vitre du hublot ne soient pas contaminés par des substances étrangères (ex. : déchets, fils, cheveux, etc.).

- Si des substances étrangères sont prises dans le hublot ou si ce dernier est mal fermé, il existe un risque de fuite d'eau.

Ouvrez le robinet et vérifiez que les raccords des tuyaux d'arrivée d'eau sont fermement serrés et qu'il n'y a aucune fuite d'eau avant d'utiliser l'appareil.

- Si les raccords sur les tuyaux d'arrivée d'eau sont desserrés, une fuite peut se produire.

L'appareil que vous avez acheté est prévu pour une utilisation domestique uniquement.

CONSERVEZ SOIGNEUSEMENT CES CONSIGNES



Consignes de sécurité

L'utilisation à des fins professionnelles est considérée comme une utilisation non conforme de l'appareil. Dans ce cas, le produit ne sera pas couvert par la garantie standard prévue par Samsung et Samsung ne saura en aucun cas être tenu pour responsable en cas de dysfonctionnements ou dommages résultant d'une utilisation non conforme.

Ne montez pas sur l'appareil et ne placez pas d'objets (par exemple linge, bougies allumées, cigarettes allumées, vaisselle, produits chimiques, objets métalliques, etc.) sur l'appareil.

- Cela pourrait causer une électrocution, un incendie, des problèmes avec l'appareil ou des blessures.

Ne pulvérisez pas de matières volatiles telles que de l'insecticide sur la surface de l'appareil.

- En plus d'être nocives pour l'être humain, elles peuvent également entraîner une électrocution, un incendie ou des problèmes avec l'appareil.

Ne placez pas d'objets générant un champ électromagnétique à proximité du lave-linge.

- Ceci pourrait entraîner des blessures résultant de dysfonctionnements.

L'eau vidangée durant un cycle de séchage ou de lavage à haute température est chaude. Ne touchez pas cette eau.

- Cela pourrait entraîner des brûlures ou des blessures.

Ne lavez pas, n'essorez pas et ne séchez pas de sièges, de tapis ou de vêtements imperméables (*), sauf si votre appareil possède un cycle spécial pour ce genre d'articles.

(*): linge de lit en laine, vêtements de pluie, vestes de pêche, pantalons de ski, sacs de couchage, protections de linge, vêtements de sudation, de cyclisme, de motocyclisme, bâches automobiles, etc.

- Ne lavez pas de tapis épais ou durs même s'ils portent le sigle de lave-linge sur leur étiquette d'entretien. Risque de vibrations anormales, de blessures ou de dégâts matériels (lave-linge, murs, sol ou linge).
- Ne lavez pas les lingettes jetables ou les paillasons ayant des dos en caoutchouc. Les dos en caoutchouc sont susceptibles de se détacher et d'adhérer à l'intérieur du tambour, ce qui pourrait entraîner un dysfonctionnement tel qu'une erreur de vidange.

Ne faites jamais fonctionner le lave-linge sans le tiroir à lessive.

- Ceci pourrait entraîner une électrocution ou des blessures résultant d'une fuite d'eau.

Ne touchez pas l'intérieur du tambour pendant ou juste après le séchage, car il est chaud.

- Cela pourrait entraîner des brûlures.

La vitre du hublot devient chaude pendant le lavage et le séchage. Par conséquent, ne touchez pas la vitre du hublot.

De même, ne laissez pas des enfants jouer autour du lave-linge ou toucher la vitre du hublot.

- Cela pourrait entraîner des brûlures.

N'insérez pas votre main dans le tiroir à lessive.

- Ceci pourrait entraîner des blessures si votre main reste bloquée par le système d'arrivée de lessive.
- N'utilisez pas le bac à lessive liquide (sur les modèles applicables uniquement) pour de la lessive en poudre. Retirez le bac et versez de la lessive en poudre directement dans le compartiment de lavage principal.

Ne placez pas d'objets (par exemple chaussures, déchets alimentaires, animaux) autres que du linge dans le lave-linge.

- Ceci pourrait endommager le lave-linge ou provoquer des vibrations anormales entraînant des blessures, voire la mort dans le cas d'animaux domestiques.

CONSERVEZ SOIGNEUSEMENT CES CONSIGNES



N'actionnez pas les boutons à l'aide d'objets tranchants tels que des aiguilles, des couteaux, les ongles etc.

- Cela pourrait entraîner une électrocution ou des blessures.

Ne lavez pas de linge entré en contact avec des huiles, crèmes ou lotions utilisées dans les salons de beauté ou de massage.

- Ceci pourrait provoquer une déformation du joint en caoutchouc, entraînant une fuite d'eau.

Ne laissez pas d'objets métalliques (ex. : épingles de sûreté, à cheveux, etc.) ou d'agent de blanchiment dans le tambour pendant des périodes prolongées.

- Cela pourrait provoquer la rouille du tambour.
- Si de la rouille commence à se former à la surface du tambour, appliquez un produit de nettoyage (neutre) et frottez à l'aide d'une éponge. N'utilisez jamais de brosse métallique.

N'utilisez pas directement de solvants de nettoyage à sec et ne lavez, ne rincez et n'essorez pas de linge entré en contact avec des solvants de nettoyage à sec.

- Risque de combustion ou d'inflammation spontanée résultant de la chaleur dégagée par l'oxydation de l'huile.

N'utilisez pas d'eau provenant d'appareils de refroidissement/de réchauffement d'eau.

- Ceci pourrait entraîner des dysfonctionnements du lave-linge.

N'utilisez pas de savon naturel pour les mains dans le lave-linge.

- Si le savon durcit ou s'accumule dans le lave-linge, il existe un risque de dysfonctionnement, de décoloration, d'oxydation ou de dégagement de mauvaises odeurs.

Placez les chaussettes et les soutiens-gorge dans un filet de lavage et lavez-les avec le reste du linge.

Ne lavez pas d'articles de grande taille tels que du linge de lit dans un filet de lavage.

- Dans le cas contraire, des vibrations anormales peuvent se produire et engendrer des blessures.

N'utilisez pas de détergent solidifié.

- S'il s'accumule dans le lave-linge, une fuite d'eau peut en résulter.

Assurez-vous que toutes les poches des vêtements à laver sont vides.

- Les objets durs et pointus, comme les pièces de monnaie, les épingles de sûreté, les clous, les vis ou les pierres, peuvent occasionner d'importants dégâts à l'appareil.

Évitez de laver des vêtements comportant de grandes boucles, des boutons ou d'autres accessoires en métal lourd.

Triez le linge par couleur en fonction de la solidité de la teinture et sélectionnez le cycle, la température de l'eau et les fonctions supplémentaires recommandés.

- En cas de non-respect de cette consigne, cela pourrait entraîner une décoloration ou une détérioration des tissus.

Veillez à ce que les doigts des enfants ne soient pas pris dans le hublot lorsque vous le fermez.

- Le non-respect de cette consigne peut entraîner des blessures.

Pour éviter les odeurs et la moisissure, laissez la porte ouverte après un programme de lavage pour permettre au tambour de sécher.

Pour éviter l'accumulation de calcaire, laissez le compartiment de lessive ouvert après un programme de lavage et faites-le sécher à l'intérieur.

CONSERVEZ SOIGNEUSEMENT CES CONSIGNES



Consignes de sécurité

Avertissements importants concernant le nettoyage

AVERTISSEMENT

Ne nettoyez pas l'appareil en pulvérisant directement de l'eau dessus.

N'utilisez pas de produit nettoyant acide agressif.

N'utilisez pas de benzène, de diluant ou d'alcool pour nettoyer l'appareil.

- Cela pourrait entraîner des décolorations, des déformations, des dommages, une électrocution ou un incendie.

Avant d'effectuer un nettoyage ou un entretien, débranchez le cordon d'alimentation de la prise murale.

- Le non-respect de cette consigne peut entraîner une électrocution ou un incendie.

CONSERVEZ SOIGNEUSEMENT CES CONSIGNES



Avis réglementaire

Avis concernant la FCC

ATTENTION

Tous les changements ou modifications non expressément approuvé(e)s par l'autorité responsable de la conformité à la réglementation peut annuler le droit de l'utilisateur à utiliser cet appareil.

Cet appareil est conforme aux dispositions de la section 15 du règlement de la FCC. Le fonctionnement est soumis aux deux conditions suivantes :

1. Cet appareil ne doit pas causer d'interférences nuisibles ; et
2. Cet appareil doit accepter toute autre interférence reçue, y compris les interférences pouvant entraîner un fonctionnement non désiré.

Pour les appareils vendus aux États-Unis et au Canada, seuls les canaux 1 à 11 sont disponibles. Vous ne pouvez pas sélectionner d'autres canaux.

DÉCLARATION DE LA FCC :

Cet équipement a été testé et s'est avéré conforme aux limites d'un dispositif numérique de classe B, conformément à la section 15 du règlement de la FCC. Ces limites sont conçues pour assurer la protection raisonnable contre des interférences nuisibles dans une installation résidentielle.

Cet appareil génère, utilise et peut émettre de l'énergie radio électrique et, s'il n'est pas installé et utilisé conformément aux instructions, peut provoquer des interférences nuisibles aux communications par signal radio. Cependant, il n'y a aucune garantie que des interférences ne se produiront pas dans une installation particulière. Si cet appareil cause des interférences nuisibles à la réception des signaux de radio ou de télévision, ce qui peut être déterminé en allumant et en éteignant l'appareil, l'utilisateur est encouragé à essayer de corriger l'interférence par une ou plusieurs des mesures suivantes :

- Réorienter ou déplacer l'antenne de réception.
- Espacer davantage l'appareil du récepteur.
- Brancher l'équipement sur la prise d'un circuit différent de celui de la radio ou de la télévision.
- Consulter le revendeur ou un technicien expérimenté en radio/télévision pour obtenir de l'aide.

DÉCLARATION DE LA FCC SUR L'EXPOSITION AUX RADIATIONS :

Cet appareil est conforme aux limitations prévues par la FCC pour l'exposition aux radiations dans le cadre d'un environnement d'accès libre.

Cet appareil doit être installé et utilisé avec une distance minimale de 8 pouces (20 cm) entre le radiateur et votre corps. Ce dispositif et son(ses) antenne(s) ne doivent pas être coimplantés ni utilisés à proximité d'une autre antenne ou émetteur.

CONSERVEZ SOIGNEUSEMENT CES CONSIGNES



Avis réglementaire

Notification IC

Le terme « IC » précédant le numéro d'homologation radio signifie uniquement que les spécifications techniques d'Industry Canada ont été respectées. Le fonctionnement est soumis aux deux conditions suivantes :

1. Cet appareil ne doit pas causer d'interférences ; et
2. Cet appareil doit accepter toute autre interférence, y compris les interférences pouvant entraîner un fonctionnement non désiré de l'appareil.

Cet appareil numérique de classe B est conforme à la norme ICES-003 du Canada.

Cet appareil numérique de classe B est conforme à la norme NMB-003 du Canada.

Pour les appareils vendus aux États-Unis et au Canada, seuls les canaux 1 à 11 sont disponibles. Vous ne pouvez pas sélectionner d'autres canaux.

DÉCLARATION D'IC SUR L'EXPOSITION AUX RADIATIONS :

Cet appareil est conforme aux limitations prévues par la norme IC RSS-102 pour l'exposition aux radiations dans le cadre d'un environnement d'accès libre. Cet appareil doit être installé et utilisé avec une distance minimale de 8 pouces (20 cm) entre le radiateur et votre corps. Ce dispositif et son(s) antenne(s) ne doivent pas être coimplantés ni utilisés à proximité d'une autre antenne ou émetteur.



CONSERVEZ SOIGNEUSEMENT CES CONSIGNES



Déclaration de logiciel open source

Le logiciel inclus dans cet appareil contient un logiciel de source libre (open source). Vous pouvez obtenir l'intégralité du code source correspondant pour une période de trois ans après le dernier envoi de cet appareil en communiquant avec notre équipe d'assistance sur <http://opensource.samsung.com> (Veuillez utiliser le menu « Inquiry » (Demande).)

Il est également possible d'obtenir le code source complet correspondant sur un support physique, tel qu'un CD-ROM ; des frais minimum seront facturés.

L'URL suivante http://opensource.samsung.com/opensource/SMART_AT_051/seq/0 conduit à la page d'informations relatives à la licence open source pour cet appareil. Cette offre est valable pour toute personne ayant reçu ces informations.



REMARQUE

Par la présente, Samsung Electronics déclare que l'appareil de type matériel radio est conforme à la Directive 2014/53/EU. L'intégralité du texte de la déclaration de conformité de l'UE est disponible sur l'adresse Internet suivante : <http://www.samsung.com> (la déclaration de conformité officielle est disponible à cette adresse). Allez à Support (Assistance) > Search Product Support (Rechercher une assistance produit) et saisissez le nom de modèle.

Puissance maximale de l'émetteur Wi-Fi : 20 dBm à 2,412 GHz – 2,472 GHz.

CONSERVEZ SOIGNEUSEMENT CES CONSIGNES



Installation

Respectez attentivement ces instructions pour garantir une installation correcte du lave-linge et éviter tout accident lorsque vous faites la lessive.

⚠ AVERTISSEMENT

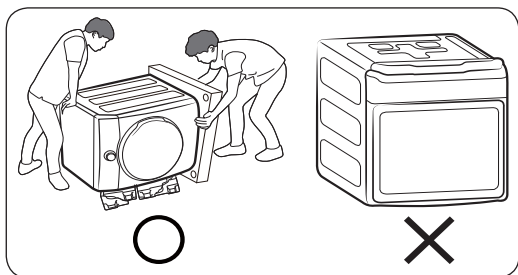
La mise à la terre de certaines pièces internes n'a volontairement pas été effectuée ; ces éléments peuvent donc présenter un risque d'électrocution (lors de l'entretien uniquement). Technicien de maintenance – Ne touchez pas les pièces suivantes lorsque l'appareil est sous tension : panneau de commande, dissipateur thermique, moteur, vanne d'alimentation en eau et pompe.

Déballage de votre lave-linge

Déballiez votre lave-linge et vérifiez qu'il n'a pas été endommagé pendant le transport. Vérifiez que vous disposez de tous les éléments illustrés en page suivante. Si votre lave-linge a été endommagé pendant le transport ou si vous ne disposez pas de tous les éléments, appelez le 1-800-SAMSUNG (1-800-726-7864). Afin de prévenir tout risque de blessures, munissez-vous de gants de protection pour soulever ou porter le lave-linge.

⚠ AVERTISSEMENT

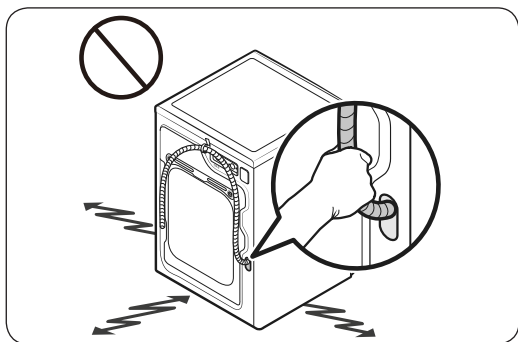
Les emballages peuvent être dangereux pour les enfants. Tenez tous les matériaux d'emballage (sacs plastique, polystyrène, etc.) hors de portée des enfants.



⚠ ATTENTION

Deux personnes minimum sont nécessaires pour déballer le lave-linge. Pour retirer le cache du bas des matériaux d'emballage, n'inclinez pas le lave-linge sur l'avant.

Lorsque vous couchez le lave-linge sur le sol pour retirer le fond en carton, protégez le côté du lave-linge et déposez-le doucement. Ne posez jamais le lave-linge sur la façade avant ou arrière.



⚠ ATTENTION

Pour faire glisser l'appareil afin de le déplacer, n'attrapez pas et ne tirez pas sur le tuyau de vidange.

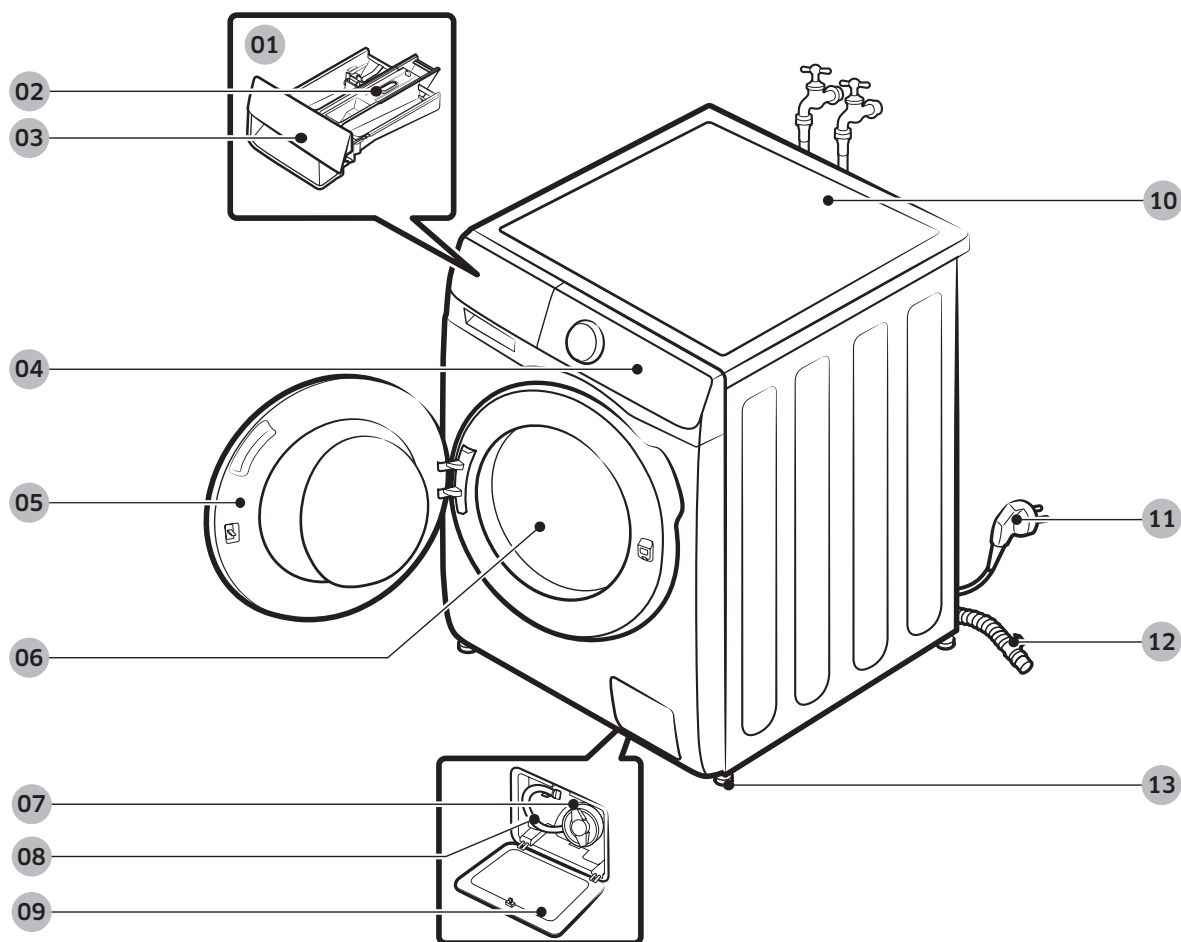


Ce qui est inclus

Assurez-vous que toutes les pièces sont incluses dans l'emballage de l'appareil. Si vous rencontrez un problème avec votre lave-linge ou les pièces, contactez un centre de service Samsung local ou le magasin vous ayant vendu l'appareil.

REMARQUE

L'aspect réel de l'appareil peut différer de l'illustration.



- | | | |
|-------------------------|-------------------------------|---------------------|
| 01 Distributeur manuel | 02 Manette d'ouverture | 03 Tiroir à lessive |
| 04 Panneau de commande | 05 Hublot | 06 Tambour |
| 07 Filtre de la pompe | 08 Tuyau de vidange d'urgence | 09 Cache du filtre |
| 10 Dessus de l'appareil | 11 Fiche d'alimentation | 12 Tuyau de vidange |
| 13 Pieds réglables | | |

Installation



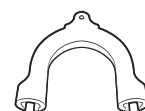
Clé à ergots



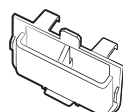
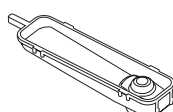
Cache-boulons



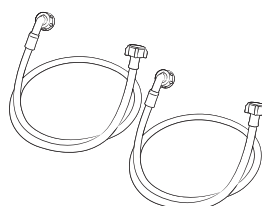
Fixation d'embout



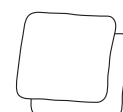
Guide du tuyau

Compartiment à lessive
liquide

Compartiment javel



Tuyau d'arrivée d'eau



Patins anti-dérapants

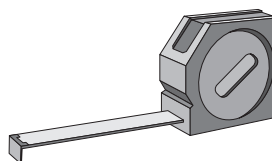
Outils requis pour l'installation



Tournevis cruciforme



Niveau



Mètre ruban



Pince réglable

REMARQUE

- Clé à ergots : Pour retirer les boulons d'expédition et mettre à niveau le lave-linge.
- Cache-boulons : Pour couvrir les trous après avoir retiré les boulons d'expédition. le nombre de cache-boulons (3 à 6) fournis dépend du modèle.
- Guide de tuyau : Pour suspendre le tuyau d'évacuation dans la conduite d'évacuation ou le lavabo.
- Tuyau d'eau chaude/froide : Pour l'alimentation en eau du lave-linge. (Les tuyaux d'eau chaude conviennent uniquement aux modèles applicables.)
- Compartiment à lessive liquide : Insérez-le dans le compartiment à lessive pour utiliser la lessive liquide.
- L'aspect du lave-linge et des accessoires fournis peut différer selon le modèle.

ATTENTION

- Ne réutilisez pas de vieux tuyaux d'arrivée d'eau car ils risquent de fuir ou d'éclater, provoquant alors une inondation et/ou des dégâts matériels.
- Assurez-vous que les rondelles en caoutchouc sont insérées sur chaque raccord des deux tuyaux d'arrivée d'eau.

Conditions d'installation

Alimentation électrique et mise à la terre

- Un fusible ou disjoncteur de 120 V CA / 60 Hz / 15 A est requis.
- Circuit de dérivation distinct, réservé uniquement à votre lave-linge.

Pour assurer une mise à la terre correcte, votre lave-linge est équipé d'un cordon d'alimentation doté d'une fiche à trois broches avec conducteur de terre, destinée à être branchée sur une prise murale correctement installée et reliée à la terre.

En cas de doute concernant la mise à la terre, demandez à un électricien ou un réparateur qualifié de vérifier si l'appareil est correctement mis à la terre.

Ne modifiez pas la fiche fournie. Si elle ne correspond pas à la prise secteur, faites installer une prise correctement reliée à la terre par un électricien qualifié.

AVERTISSEMENT

- N'UTILISEZ PAS de rallonge avec cet appareil.
- Utilisez uniquement le cordon d'alimentation fourni avec le lave-linge.
- NE RELIEZ PAS un conducteur de terre à une canalisation de plomberie en plastique, une conduite de gaz ou une canalisation d'eau chaude.
- Un branchement incorrect des conducteurs de terre peut créer un risque d'électrocution.
- Pour prévenir tout risque d'incendie, d'électrocution ou de blessure corporelle, l'intégralité du câblage et de la mise à la terre doit être réalisée conformément aux réglementations locales ou, en l'absence de ces dernières, au code électrique national (National Electrical Code), à la dernière révision de la norme ANSI/NFPA n°70 (pour les États-Unis) ou aux dispositions canadiennes sur l'électricité CSA C22.1 (dernières révisions) et aux réglementations locales. Il relève de votre responsabilité de fournir un service électrique adapté à votre lave-linge.

Arrivée d'eau

Pour ce lave-linge, la pression d'eau doit être comprise entre 20 et 116 psi (137 et 800 kPa). Une pression inférieure à 20 psi (137 kPa) risque d'empêcher la fermeture correcte de la soupape d'admission d'eau ou de retarder le remplissage du tambour et l'extinction du lave-linge. Les robinets d'arrivée d'eau doivent se trouver à moins de 4 pi (122 cm) de l'arrière du lave-linge afin que les tuyaux d'arrivée d'eau fournis puissent atteindre l'appareil.

Pour réduire le risque de fuite :

- Faites en sorte que les robinets d'arrivée d'eau soient facilement accessibles.
- Fermez les robinets lorsque vous n'utilisez pas le lave-linge.
- Vérifiez régulièrement l'absence de toute fuite au niveau des raccords des tuyaux d'arrivée d'eau.

ATTENTION

Avant d'utiliser le lave-linge pour la première fois, vérifiez l'absence de fuites au niveau des raccords de la vanne d'arrivée d'eau et des robinets.

Vidange

Samsung conseille d'utiliser un conduit vertical de 18 po (46 cm) de hauteur. Le tuyau de vidange doit être introduit dans le collier de serrage puis dans le conduit vertical et ce dernier doit entièrement recouvrir le tuyau de vidange.



Installation

Sol

Pour un fonctionnement optimal, le lave-linge doit être installé sur un sol solide. Si le sol est en bois, il est possible que vous deviez le renforcer afin de réduire les vibrations et/ou les problèmes de déséquilibre. La présence de moquette ou de surfaces molles ne permet pas une bonne résistance aux vibrations et peut entraîner un léger déplacement de votre lave-linge durant l'essorage.

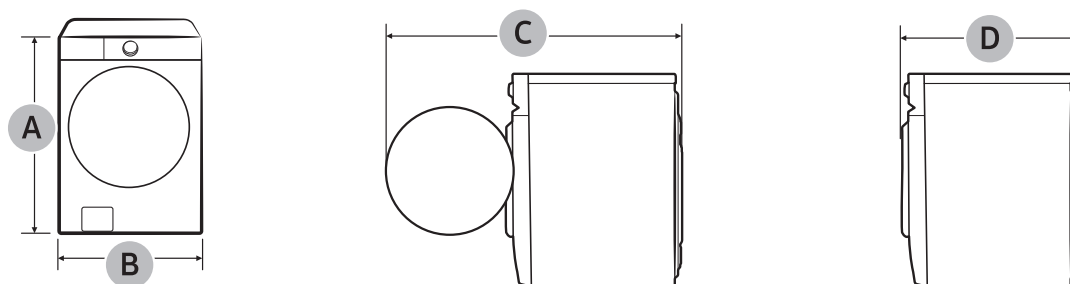
⚠ ATTENTION

N'installez JAMAIS votre lave-linge sur une plate-forme ou sur une structure fragile.

Température de l'eau

N'installez pas votre lave-linge dans une pièce où la température est susceptible de descendre en dessous de zéro degré, car l'eau restant dans les vannes d'arrivée d'eau, les pompes et/ou les tuyaux risquerait de geler. La présence d'eau gelée dans les parties de raccordement peut endommager les courroies, la pompe et d'autres composants du lave-linge.

Dimensions



A. Hauteur totale	33,5 po (850 mm)
B. Largeur	23,6 po (600 mm)
C. Profondeur avec hublot ouvert	44,1 po (1120 mm)
D. Profondeur	26,8 po (680 mm)



Dégagement requis

Ce dégagement requis concerne uniquement les lave-linge.

REMARQUE

- Pour connaître le dégagement requis pour le sèche-linge, reportez-vous au manuel d'utilisation du sèche-linge.
- Si les dégagements requis pour le lave-linge et le sèche-linge sont différents, respectez celui dont la valeur est la plus élevée.

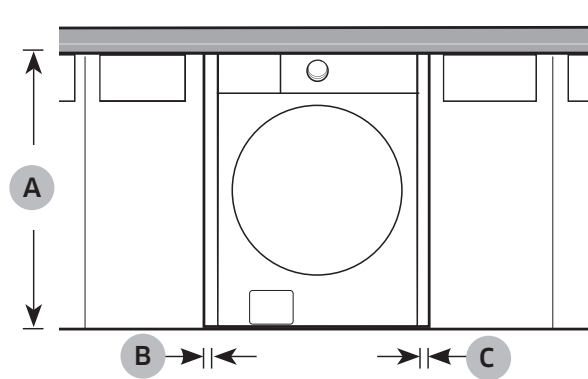
Encastrement dans une niche ou installation dans un placard

Dégagement minimal pour une stabilité optimale :

Côtés	Haut	Arrière	Avant
1 po (25 mm)	1 po (25 mm)	2 po (50 mm)	1 po (25 mm)

Si le lave-linge et un sèche-linge sont tous deux installés au même endroit, le panneau avant de la niche ou du placard doit être doté de deux ouvertures non obstruées ; assurez-vous d'avoir une surface totale combinée d'au moins 72 po² (465 cm²).

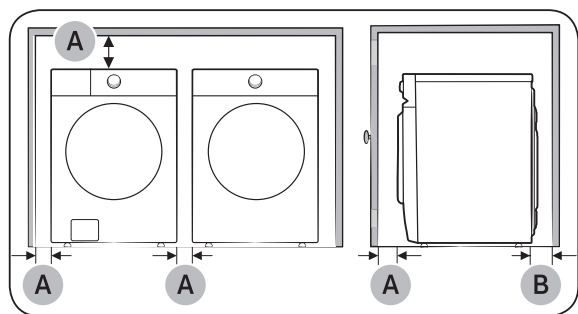
Installation sous plan



A	34,4 po (875 mm)
B	1 po (25 mm)
C	1 po (25 mm)

Installation

Ce dégagement requis concerne l'installation d'une paire lave-linge/sèche-linge.



Installation côte à côte

A	1 po (25 mm)
B	2 po (50 mm) * Le dégagement requis s'applique uniquement au lave-linge. Pour connaître le dégagement requis pour le sèche-linge, reportez-vous au manuel d'utilisation du sèche-linge.
C	2 po (50 mm)
D	6 po (152 mm)
E	67 po (1702 mm)

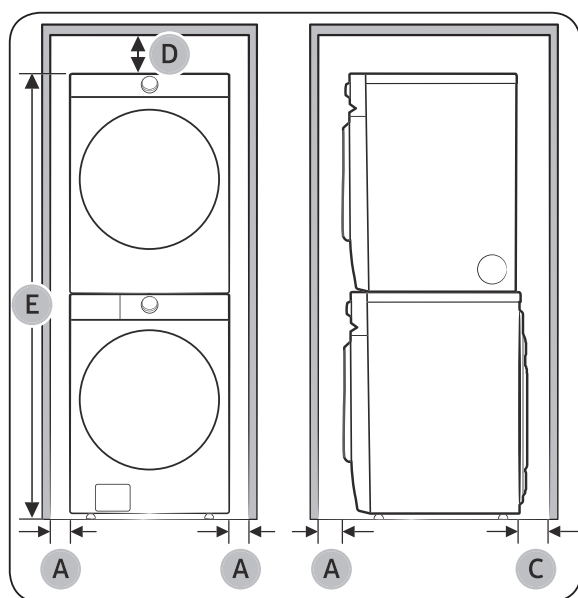
REMARQUE

Si vous installez un sèche-linge à côté du lave-linge que vous utilisez, le sèche-linge risque de dépasser à l'avant par rapport au lave-linge.

AVERTISSEMENT

- Les lave-linge et sèche-linge Samsung peuvent être superposés pour optimiser l'espace utile.
- Les pieds du sèche-linge doivent être démontés pour pouvoir empiler celui-ci sur le lave-linge. Les kits de superposition sont en vente chez votre revendeur Samsung.

Installation superposée (Modèle : SK-DH)



Installation superposée

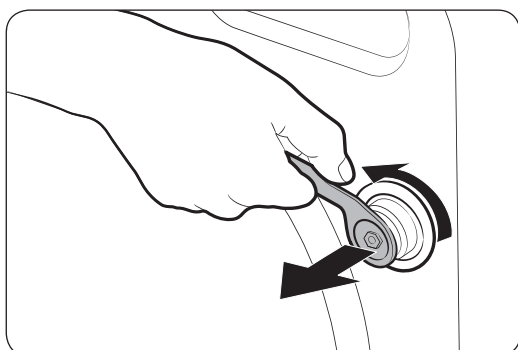
Installation étape par étape

ÉTAPE 1 Choisir un emplacement

Choix de l'emplacement :

- une surface dure et de niveau, sans moquette ou autre revêtement de sol susceptible d'obstruer l'aération ;
- une absence d'exposition à la lumière directe du soleil ;
- une pièce dont la ventilation et le câblage sont appropriés ;
- une température ambiante toujours supérieure au point de gel (32 °F / 0 °C) ;
- éloigné de sources de chaleur.

ÉTAPE 2 Enlever les boulons de transport

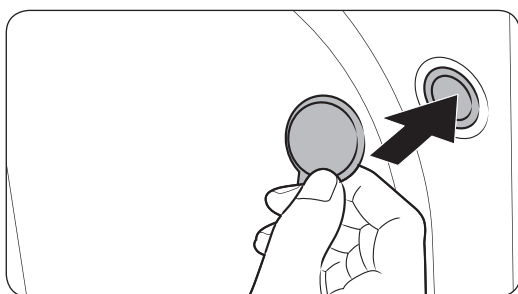


Déballez l'appareil et retirez tous les boulons de transport.

1. Desserrez tous les boulons de transport situés à l'arrière de l'appareil à l'aide de la clé.

REMARQUE

Utilisez l'extrémité fermée de la clé fournie pour retirer les boulons de transport.



2. Bouchez les trous avec les cache-boulons en plastique fournis. Conservez les boulons de transport pour une prochaine utilisation.

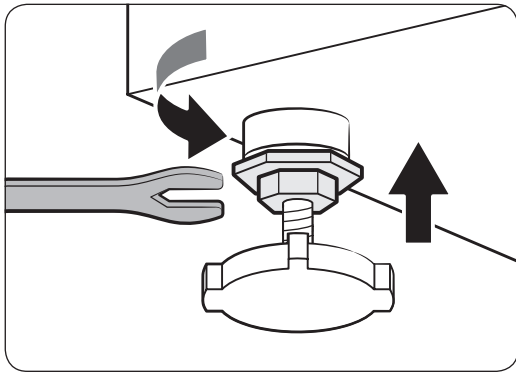
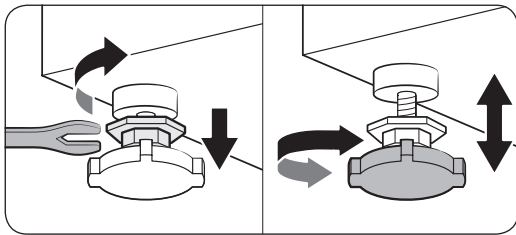
AVERTISSEMENT

- Les boulons de transport maintiennent le tambour en place pendant le transport de l'appareil et réduisent le risque de dommages pour le système de suspension. Retirez les boulons de transport avant d'utiliser l'appareil et réinsérez-les uniquement si vous devez déplacer l'appareil.
- Les matériaux d'emballage peuvent être dangereux pour les enfants. Tenez tous les matériaux d'emballage (sacs en plastique, polystyrène, etc.) hors de portée des enfants.



Installation

ÉTAPE 3 Ajuster les pieds réglables



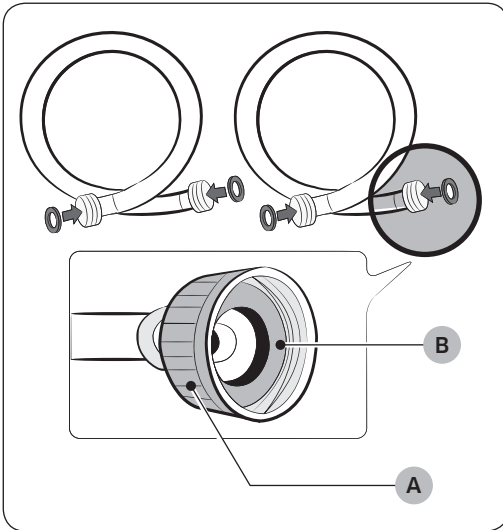
1. Faites glisser le lave-linge jusqu'à son emplacement d'installation. Procédez doucement afin d'éviter d'endommager les pieds réglables.
2. Mettez le lave-linge à niveau en réglant manuellement le pied de mise à niveau.
3. Quand la mise à niveau est terminée, resserrez les boulons en utilisant la clé.

ATTENTION

Assurez-vous que tous les pieds de nivellement sont placés sur la surface du sol pour éviter que le lave-linge ne bouge ou ne génère du bruit en raison des vibrations. Ensuite, vérifiez si le lave-linge ne bascule pas. Si le lave-linge ne bascule pas, serrez les écrous.

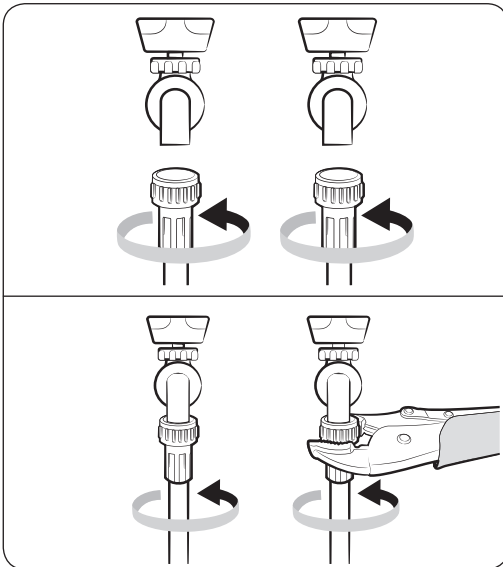


ÉTAPE 4 Raccorder le tuyau d'eau



⚠ ATTENTION

- Veillez à utiliser des tuyaux d'eau neufs et assurez-vous que les **joints en caoutchouc (B)** se trouvent à l'intérieur des **raccords (A)** aux deux extrémités des tuyaux. En l'absence de joints, les tuyaux d'eau peuvent fuir.
- En cas de fuite d'eau, arrêtez d'utiliser le lave-linge et communiquez avec un centre de dépannage Samsung local. Cela pourrait entraîner une électrocution.
- Ne tendez pas les tuyaux d'eau en forçant. Si le tuyau est trop court, remplacez-le par un tuyau haute pression plus long.
- Pour éviter les fuites, assurez-vous que les deux tuyaux d'eau ne soient pas courbés ni entortillés. Une fuite d'eau peut provoquer une électrocution.

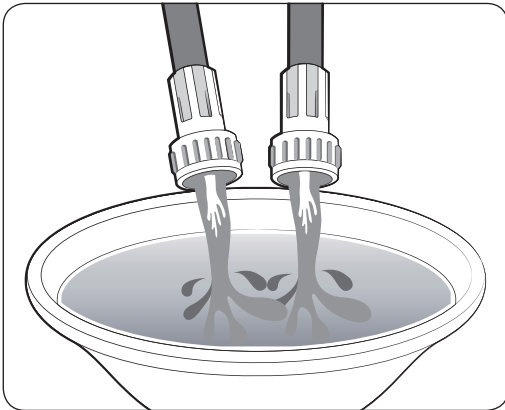


1. Branchez les tuyaux d'eau sur les robinets d'eau chaude et d'eau froide, puis serrez à la main les raccords des tuyaux d'eau jusqu'à ce qu'ils soient serrés. Ensuite, utilisez une pince pour serrer les raccords de deux tiers de tour supplémentaires. Pour éviter d'endommager les raccords, ne les serrez pas excessivement.
2. Tirez sur les tuyaux d'eau pour vérifier s'ils sont fermement branchés.

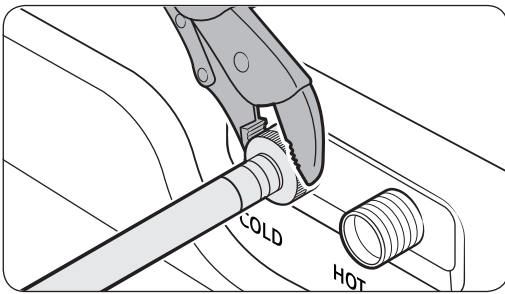


Installation

Français



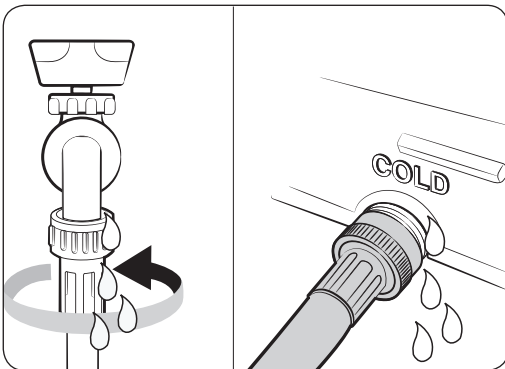
3. Placez les autres extrémités des tuyaux dans un seau, puis ouvrez les robinets d'eau pendant 10 à 15 secondes afin d'évacuer les impuretés. Une fois terminé, fermez les robinets.



4. Branchez les tuyaux d'eau sur les arrivées d'eau chaude et d'eau froide à l'arrière du lave-linge, puis serrez à la main les raccords des tuyaux d'eau jusqu'à ce qu'ils soient serrés. Ensuite, utilisez une pince pour serrer les raccords de deux tiers de tour supplémentaires.

REMARQUE

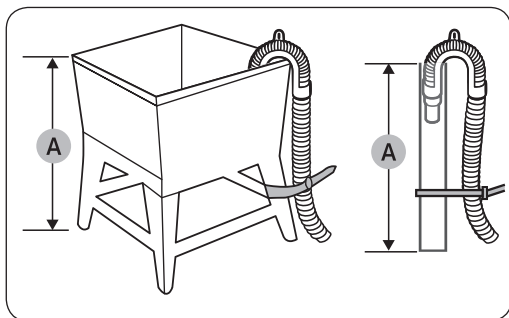
Si vous ne souhaitez pas utiliser le tuyau d'arrivée d'eau chaude, installez le bouchon d'arrivée d'eau sur l'arrivée d'eau chaude. Lorsque vous lancez un cycle de lavage, appuyez sur le bouton **Temp.** pour sélectionner Froide.



5. Ouvrez les robinets d'eau, puis vérifiez l'absence de fuites.



ÉTAPE 5 Raccordement du tuyau d'évacuation



Sur un bac à laver ou un tuyau d'évacuation

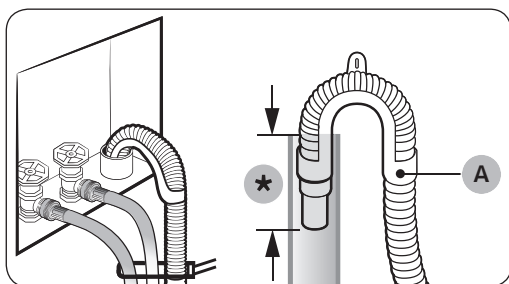
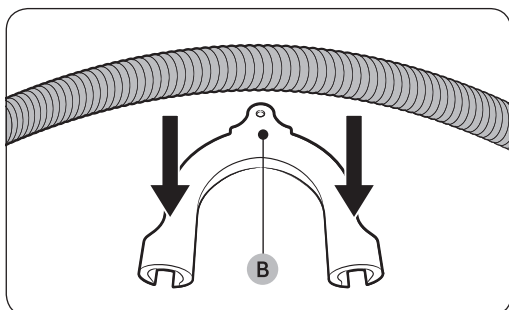
1. Vérifiez la **hauteur (A)** de votre système d'évacuation et assurez-vous que les hauteurs minimale et maximale indiquées ci-dessous sont respectées.

Minimale	18 po (46 cm)
Maximale	96 po (245 cm)

REMARQUE

- Veillez à effectuer la mesure en partant du sol sur lequel le lave-linge se trouve.
- L'efficacité d'évacuation peut être détériorée si le système d'évacuation est à la hauteur maximale.
- Pour éviter que le lave-linge ne siphonne l'eau, n'utilisez pas de système d'évacuation en dessous de la hauteur minimale.

2. Branchez le tuyau de vidange sur le **guide du tuyau de vidange en plastique (B)**.



(*): minimum 6 po (152 mm), maximum 8 po (203 mm)

3. Faites passer le tuyau de vidange dans le système d'évacuation.

ATTENTION

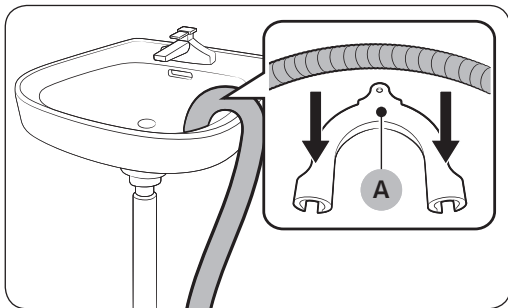
- En cas d'utilisation d'un conduit vertical, assurez-vous que le raccordement entre le conduit vertical et le tuyau de vidange n'est pas étanche à l'air.
- En cas d'utilisation d'un conduit vertical, assurez-vous que le tuyau de vidange est inséré d'au moins 6 po (152 mm) mais de maximum 8 po (203 mm) dans le conduit vertical.

4. Fixez le tuyau de vidange en place à l'aide de serre-câble.



Installation


Français



Sur le bord d'un lavabo

Le tuyau de vidange doit être placé au plus bas à 24 po (60 cm) et au plus haut à 35 po (90 cm) au-dessus du sol. Afin que le bout du tuyau de vidange reste coudé, utilisez le guide du **tuyau de vidange (A)** en plastique fourni. Fixez le guide au mur à l'aide d'un crochet afin d'assurer une évacuation optimale.

ÉTAPE 6 Mise sous tension

Branchez le cordon d'alimentation dans une prise murale correctement calibrée, mise à la terre et protégée par un fusible ou un disjoncteur. Appuyez doucement sur  pour mettre le lave-linge sous tension.



Avant de démarrer

Configuration initiale

- Lorsque vous mettez le lave-linge sous tension pour la première fois, l'écran affiche le processus de configuration initiale.
Suivez les instructions affichées à l'écran pour l'effectuer.
- L'installation initiale ne sera pas répétée après avoir été finalisée.
- La configuration initiale comprend la sélection de la langue, l'étalonnage et un bref tutoriel.
- Appuyez sur **OK** ou tournez la **molette de navigation** pour passer à l'écran suivant.

01 Sélection de la langue	02 Écran d'accueil
03 Tutoriel	

Effectuer un calibrage (recommandé)

- La configuration initiale comprend le processus d'étalonnage qui vient après la sélection de la langue. Vous devez procéder à l'étalonnage avant d'utiliser le lave-linge.
- Videz le tambour, puis touchez et maintenez la touche **▷||** pour lancer l'étalonnage.
- Une fois l'étalonnage terminé, la machine s'éteint puis se rallume automatiquement.
- Si vous souhaitez procéder à nouveau à l'étalonnage, touchez et maintenez la touche **▷||** pendant 3 secondes pour accéder à la fonction système et sélectionnez **Calibrage**.



Avant de démarrer

Instructions de lavage

ÉTAPE 1 Trier

Triez le linge en fonction de ces critères :

- Symbole textile : séparez le coton, les fibres mélangées, les synthétiques, la soie, la laine et les rayonnées.
- Couleur : séparez le blanc des couleurs.
- Taille : mélangez ensemble des articles de différentes tailles dans le tambour pour améliorer les performances de lavage.
- Sensibilité : lavez les articles délicats séparément, en utilisant le cycle de Repassage facile pour les articles neufs en laine vierge et en soie, ainsi que pour les rideaux. Vérifiez les étiquettes sur les articles.

REMARQUE

Assurez-vous d'avoir vérifié l'étiquette de tous les vêtements et triez-les en conséquence avant de commencer le lavage.

ÉTAPE 2 Vider les poches

Videz toutes les poches des vêtements à laver

- Les objets métalliques tels que les pièces de monnaie, les épingles et les boucles sur les vêtements sont susceptibles d'endommager les autres articles de votre lessive ainsi que le tambour.

Retournez les vêtements ayant des boutons et des broderies

- Veillez à fermer les fermetures éclair des pantalons et des vestes afin de ne pas endommager le tambour. Les fermetures éclair doivent être maintenues fermées à l'aide d'un fil.
- Les vêtements pourvus de lanières peuvent s'emmêler avec d'autres vêtements. Veillez à attacher ensemble les lanières avant de lancer le cycle de lavage.

ÉTAPE 3 Utiliser un filet à linge

- Les soutiens-gorge (lavables à l'eau) doivent être placés dans un filet à linge. Les parties métalliques des soutiens-gorge peuvent en effet sortir du soutien-gorge et déchirer le linge.
- Les vêtements légers et de petite taille, tels que les chaussettes, gants, bas et mouchoirs, peuvent se coincer entre le hublot et la paroi du lave-linge. Placez-les dans un filet à linge fin.
- Ne lavez pas le filet à linge seul, sans linge. Ceci pourrait provoquer des vibrations anormales susceptibles d'entraîner des déplacements intempestifs du lave-linge ainsi que des blessures.

ÉTAPE 4 Prélavage (si nécessaire)

Sélectionnez l'option Prélavage pour le programme sélectionné si le linge est très sale.

N'utilisez pas l'option Prélavage si vous ajoutez manuellement de la lessive dans le tambour.

ÉTAPE 5 Évaluer la capacité de chargement

Ne surchargez pas le lave-linge. Une surcharge peut empêcher le lave-linge de laver correctement.

REMARQUE

Lorsque vous lavez des draps ou des housses de couette, il se peut que la durée de lavage soit allongée ou que l'efficacité de l'essorage soit moindre.

Pour les draps ou housses de couette, la vitesse du cycle d'essorage maximale recommandée est le Niveau 2 ou le Niveau 3, et la capacité de chargement est de 7 lb (3,0 kg) maximum.



⚠ ATTENTION

- Le linge mal équilibré peut réduire les performances d'essorage.
- Assurez-vous que le linge est complètement inséré dans le tambour et qu'il n'est pas coincé dans le hublot.
- Ne pas claquer le hublot. Fermez doucement le hublot. Sinon, le hublot peut ne pas être fermé correctement.

ÉTAPE 6 Ajouter le type de lessive approprié

Le type de lessive à utiliser (universelle, en particulier pour les articles en laine, etc.) dépend du type de tissu (coton, synthétique, vêtements délicats, laine), de la couleur, de la température de lavage et du degré de salissure. Quel que soit le type spécifique de lessive que vous utilisez, utilisez toujours une lessive HE qui mousse peu, prévue pour les lave-linge automatiques.

📄 REMARQUE

- Respectez les recommandations du fabricant de la lessive ; celles-ci ont été élaborées en fonction du poids du linge, du degré de salissure et de la dureté de l'eau de votre région. Si vous n'êtes pas sûr de la dureté de votre eau, communiquez avec vos autorités locales.
- N'utilisez pas une lessive qui a tendance à se durcir ou se solidifier. Ce type de lessive peut subsister après le cycle de rinçage et bloquer la sortie de vidange.

⚠ ATTENTION

Lorsque vous lavez des articles en laine en utilisant le cycle Laine, utilisez uniquement de la lessive liquide neutre. Si vous utilisez de la lessive en poudre avec le cycle Laine, celle-ci risque de laisser des traces sur le linge ou de le décolorer.

Utilisez uniquement une lessive HE

Pour des résultats de lavage optimaux, utilisez une lessive haute efficacité telle que Tide HE, Wisk HE, Cheer HE ou Gain HE*. Les lessives haute efficacité contiennent des agents anti-mousse chargés de réduire, voire d'éliminer la mousse. Lorsqu'il y a moins de mousse, la charge tourne plus efficacement et le lavage est optimisé. (* Les noms de marque sont des marques déposées de leurs fabricants respectifs.)

⚠ AVERTISSEMENT

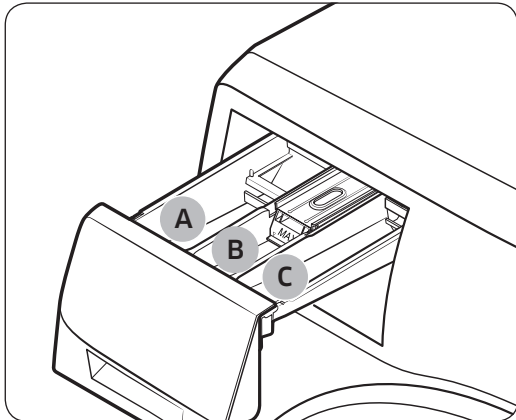
Pour un résultat optimal, utilisez uniquement une lessive HE. N'utilisez pas de lessive non labellisée HE, de lessive organique, de lessive naturelle ou de lessive HE avec des ingrédients naturels (comme du vinaigre ou du bicarbonate de soude).



Avant de démarrer

Instructions relatives au tiroir à lessive

Les modèles à distributeur manuel disposent d'un distributeur à trois compartiments : le compartiment de gauche pour le produit de lavage principal, le centre pour les adoucissants et le droit pour l'agent de blanchiment liquide au chlore.



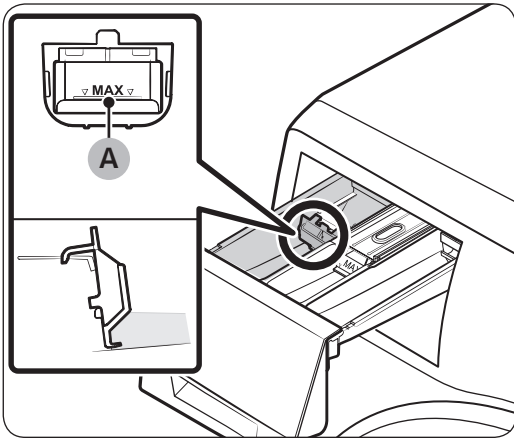
- A. Compartiment de lavage principal:** ajoutez la lessive pour le lavage principal, l'adoucissant, l'agent de trempage, le produit anti-décoloration et/ou le détachant.
- B. Compartiment d'adoucissant:** ajoutez un adoucissant pour tissus.
Ne dépassez pas le trait de remplissage **maximum**.
- C. Compartiment d'eau de Javel:** Ajoutez de l'eau de Javel chlorée liquide.
Ne dépassez pas le trait de remplissage **maximum**.

AVERTISSEMENT

- N'ouvrez pas le tiroir à lessive lorsque le lave-linge est en marche.
- Ne mettez pas de lessive en tablette ou en capsule dans le tiroir à lessive. Mettez-les directement dans le tambour.
- N'utilisez pas de lessive nécessitant une boule doseuse.
- Pour éviter d'obstruer le compartiment, diluez les doses de lessive ou d'adoucissant concentré(e) dans un peu d'eau avant de les verser dans le bac.
- Veillez à ne pas renverser d'assouplissant sur le plan de travail ou le panneau de commande.



Ajouter la lessive dans le tiroir à lessive



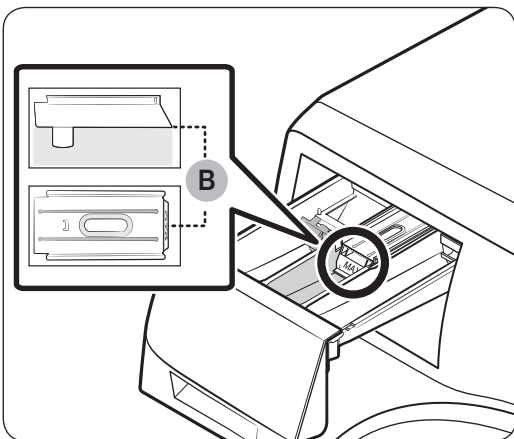
1. Ouvrez le tiroir à lessive.
2. Insérez d'abord le réservoir pour liquide fourni dans le **compartiment de lavage principal**.
3. Puis mettez de la lessive liquide dans le réservoir en-dessous de la ligne max (A) indiquée.

⚠ **ATTENTION**

- Veillez à insérer le bac à lessive liquide dans le compartiment de lavage principal.
- Ne dépassez pas le trait de remplissage **maximum (A)** marqué.

📖 **REMARQUE**

- N'ajoutez pas de lessive en poudre ou d'autres agents de lavage en poudre dans le bac à lessive liquide.
- Retournez le récipient de détergent liquide si vous utilisez un détergent en poudre. Pour utiliser de la lessive en poudre, reportez-vous en page **34**.



4. Ajoutez de l'adoucissant pour tissus dans le **compartiment d'adoucissant**.

Ne dépassez pas le trait de remplissage **maximum (B)**.

⚠ **AVERTISSEMENT**

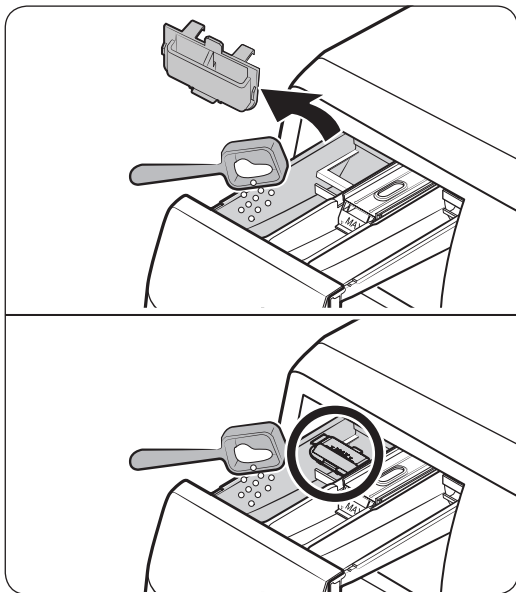
- Nous vous déconseillons d'utiliser de l'adoucissant en poudre. Utilisez uniquement de l'adoucissant liquide.
- Diluez votre adoucissant concentré dans un peu d'eau avant de le verser dans le compartiment approprié.
- Ne versez pas de lessive de lavage principal dans le **compartiment d'adoucissant**.

5. Fermez le tiroir à lessive.



Avant de démarrer

Utiliser de la lessive en poudre

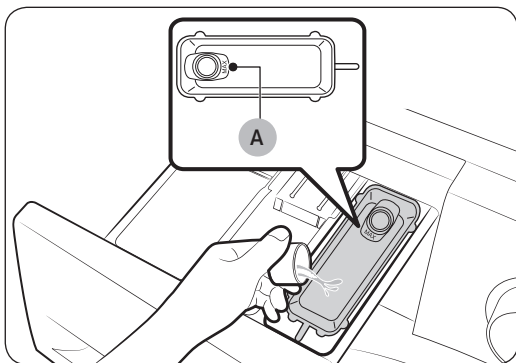


Tout d'abord, retirez ou tournez vers le haut le récipient de détergent liquide fourni dans le **compartiment du lavage principal**. Ensuite, versez de la lessive en poudre dans le **compartiment de lavage principal** en respectant les instructions du fabricant de la lessive.

⚠ ATTENTION

Ne versez pas de lessive en poudre dans le bac à lessive liquide.

Utiliser le compartiment d'eau de Javel



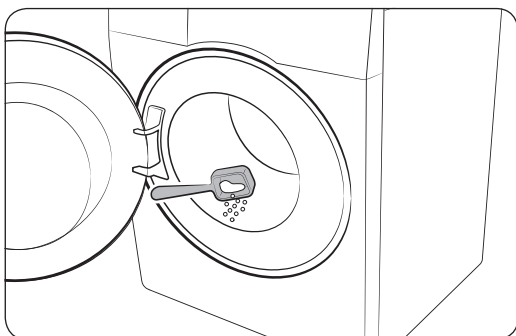
Veillez d'abord insérer le **bac à javel** dans le **compartiment à javel**.

Ajoutez uniquement l'eau de Javel liquide dans le **bac à javel**. Ne dépassez pas le trait de remplissage **maximum (A)**.

⚠ ATTENTION

Ne versez jamais d'eau de Javel chlorée liquide non diluée directement sur le linge ou dans le tambour. Ce produit chimique puissant peut endommager et décolorer les fibres s'il n'est pas utilisé correctement.

Utiliser des produits de suroxygénation ou de l'eau de Javel non décolorante



Les produits de suroxygénation ou l'eau de Javel non décolorante peuvent augmenter les performances de lavage. Assurez-vous d'ajouter du produit de suroxygénation ou de l'eau de Javel non décolorante seulement après avoir placé le linge dans le tambour.

📖 REMARQUE

Pour utiliser simultanément de la lessive en poudre et du produit de suroxygénation ou de l'eau de Javel non décolorante en poudre, il est plus efficace de les mettre ensemble dans le tambour avant d'ajouter le linge.

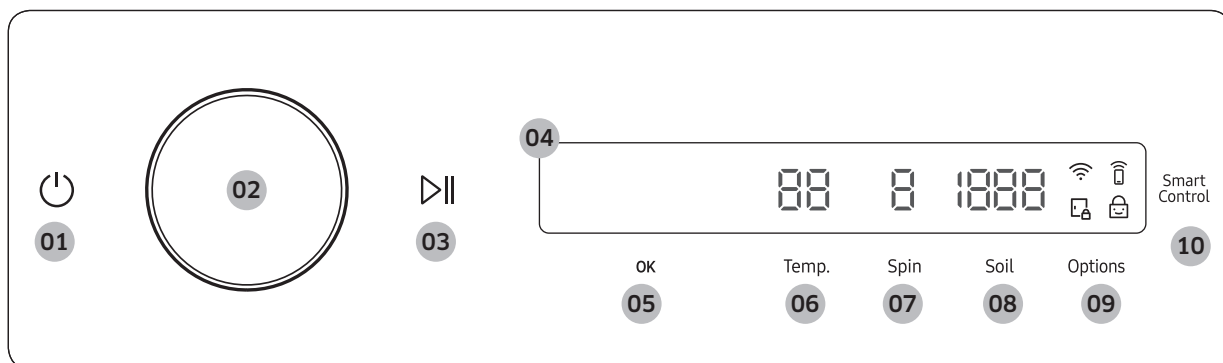


Opérations

⚠ AVERTISSEMENT

Afin de limiter les risques d'incendie, d'électrocution ou de blessures corporelles, lisez la section CONSIGNES DE SÉCURITÉ IMPORTANTES avant d'utiliser ce lave-linge.

Panneau de commande







<p>01 Marche/Arrêt </p>	<p>Appuyez doucement sur ce bouton pour mettre le lave-linge hors ou sous tension.</p> <ul style="list-style-type: none"> • Si vous n'interagissez pas avec le panneau de commande pendant 10 minutes après la mise sous tension du lave-linge, ce dernier se met automatiquement hors tension. • Le lave-linge se met automatiquement hors tension une fois que le cycle est terminé. <p>⚠ ATTENTION N'appuyez pas sur pour mettre l'appareil hors tension lorsque le cycle est en cours. Dans un premier temps, laissez le doigt appuyé doucement sur pour mettre le cycle en pause, puis appuyez doucement sur pour éteindre le lave-linge.</p>
<p>02 Molette de navigation</p>	<p>Tournez la molette de navigation vers la gauche ou la droite pour parcourir les cycles et fonctions. Lorsque vous tournez le bouton de navigation, l'écran LCD affiche votre sélection (comme le cycle, les fonctions supplémentaires et les fonctions système).</p>
<p>03 Départ/Pause </p>	<p>Laissez le doigt appuyé doucement sur ce bouton pour mettre un cycle en pause.</p>
<p>04 Écran</p>	<p>L'écran affiche des informations sur le cycle actuel et sur le temps restant estimé, ou encore un message d'information lorsqu'un problème survient.</p> <p>📄 REMARQUE La durée réelle du lavage peut différer de la durée estimée initialement affichée sur le panneau de commande lors de la sélection du cycle.</p>
<p>05 OK</p>	<p>Appuyez doucement sur ce bouton pour confirmer la fonction ou le réglage que vous avez sélectionné(e).</p>



Opérations

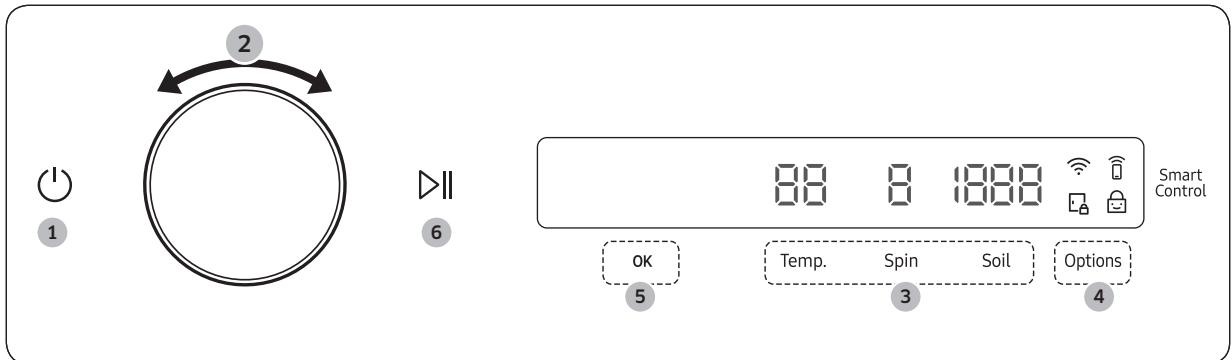
06 Temp.	<p>appuyez doucement dessus pour modifier la température de l'eau pour le cycle sélectionné.</p> <ul style="list-style-type: none"> Le voyant situé au-dessus du bouton indique le réglage par défaut ou le réglage sélectionné.
07 Spin (Essorage)	<p>Appuyez doucement dessus pour modifier la vitesse d'essorage du cycle sélectionné.</p> <ul style="list-style-type: none"> Le voyant situé au-dessus du bouton indique le réglage par défaut ou le réglage sélectionné.
08 Soil (Degré de salissure)	<p>Appuyez doucement dessus pour modifier le degré de salissure pour le cycle actuel.</p>
09 Options	<p>Appuyez doucement sur ce bouton pour accéder au menu Options. Laissez le doigt appuyé doucement sur ce bouton pendant 3 secondes pour accéder au menu Réglages.</p>
10 Smart Control	<p>Appuyez doucement dessus pour activer ou désactiver la fonction Smart Control. Laissez le doigt appuyé doucement dessus pour passer en mode de jumelage afin de connecter l'appareil à l'application SmartThings.</p> <ul style="list-style-type: none"> Lorsque la fonction Smart Control est activée, vous pouvez contrôler votre lave-linge à distance à l'aide de l'application SmartThings sur votre smartphone ou tablette (Android ou iOS).

Description des icônes

	Wi-Fi	<ul style="list-style-type: none"> Cette icône indique que le lave-linge est connecté au réseau Wi-Fi.
	Smart Control	<ul style="list-style-type: none"> Cette icône indique que la fonction Smart Control est activée. Pour obtenir plus d'informations sur la fonction Smart Control, reportez-vous en page 46.
	Verrouillage du hublot	<ul style="list-style-type: none"> Cette icône indique que le hublot est verrouillé et qu'il ne peut pas être ouvert. Le hublot se verrouille automatiquement pendant un cycle et ce voyant s'allume. Vous pouvez ouvrir le hublot lorsque cette icône disparaît.
	Sécu. enfant	<ul style="list-style-type: none"> Cette icône indique que la fonction Sécu. enfant est activée. Pour obtenir plus d'informations sur la Sécu. enfant, reportez-vous en page 43.



Utilisation d'un cycle



1. Appuyez doucement sur pour mettre le lave-linge sous tension.
2. Tournez la **molette de navigation** pour sélectionner le cycle de votre choix.
 - Pour en savoir plus sur la **Présentation des cycles**, reportez-vous en page **38**.
3. Appuyez doucement sur **Temp.**, **Spin (Essorage)** ou sur **Soil (Degré de salissure)** pour modifier les réglages par défaut du cycle.
4. Appuyez doucement sur **Options**, puis tournez la **molette de navigation** pour sélectionner la fonction supplémentaire de votre choix.
 - Pour en savoir plus sur la **Options**, reportez-vous en page **42**.
5. Appuyez doucement sur **OK** pour modifier les réglages de la fonction supplémentaire sélectionnée.
 - Certains cycles n'ont pas de fonctions supplémentaires disponibles.
6. Laissez le doigt appuyé doucement sur pour lancer le cycle.
 - Après avoir réglé le cycle de votre choix, l'écran affiche une brève description du cycle ainsi que sa durée. Vous pouvez également vérifier la progression du cycle, le temps de cycle restant et les codes d'information.

Pour changer de cycle pendant l'utilisation

1. Appuyez sur pour arrêter le fonctionnement.
2. Sélectionnez un programme différent.
3. Appuyez de nouveau sur le bouton pour démarrer le nouveau programme.

AVERTISSEMENT

Ne posez aucun objet sur l'appareil lorsque celui-ci est en cours de fonctionnement.



Opérations

Présentation des cycles

Description des cycles

Vous pouvez ajouter ou supprimer des cycles pour personnaliser la liste des cycles dans l'option **Mes cycles**. Reportez-vous en page **43** pour obtenir plus d'informations.

Cycle	Description
Normal	<ul style="list-style-type: none"> Pour les vêtements en coton, le linge de lit, le linge de table, les sous-vêtements, les serviettes ou les chemises. La durée de lavage et le nombre de cycles de rinçage s'adaptent automatiquement à la charge.
Grande capacité	<ul style="list-style-type: none"> Pour les vêtements très sales et les textiles épais grand teint.
Super rapide	<ul style="list-style-type: none"> Exécution rapide pour les articles de tous les jours tels que les sous-vêtements et les chemises. La durée du programme diffèrera selon les conditions d'alimentation de l'eau, et de la charge et du type de linge.
Petite charge	<ul style="list-style-type: none"> Pour le linge peu sale dont vous avez besoin rapidement. Pour des performances optimales, la charge maximale recommandée est de 4 lb (2,0 kg).
Délicat	<ul style="list-style-type: none"> Textiles extra-fins, soutien-gorge, lingerie (soie) et autres tissus non lavables en machine. Pour des résultats optimaux, utilisez de la lessive liquide.
Vapeur blanc	<ul style="list-style-type: none"> Pour le linge blanc. Vous pouvez l'utiliser avec ou sans agent de blanchiment.
Vap. assain.	<ul style="list-style-type: none"> Pour les tissus grand teint et le linge très sale, ce cycle chauffe l'eau alimentée à plus de 140 °F (60 °C) afin de nettoyer en profondeur. Si vous arrêtez le cycle en cours pendant que le lave-linge chauffe l'eau, le hublot reste verrouillé pour votre sécurité.
Vap. normal	<ul style="list-style-type: none"> Pour laver les vêtements quotidiens avec de la vapeur.
Serviettes	<ul style="list-style-type: none"> Pour les serviettes et tapis de bain, gants de toilette.
Draps	<ul style="list-style-type: none"> Articles volumineux, comme les couettes, les couvertures et les draps. Pour des résultats optimaux, lavez 1 seul type de draps à la fois. Pour les articles volumineux, utilisez de la lessive liquide et n'enroulez pas les articles dans le tambour car ils pourraient s'y coincer.
Sport	<ul style="list-style-type: none"> Pour les vêtements de sport comme les maillots, shorts, T-shirts/ débardeurs, etc. Ce cycle permet d'éliminer efficacement la saleté du linge délicat avec une rotation contrôlée du tambour.
Rinçage + Essorage	<ul style="list-style-type: none"> Permet d'effectuer un rinçage supplémentaire après l'application d'adoucissant sur le linge.



Cycle	Description
Nettoyage+	<ul style="list-style-type: none"> • Permet de nettoyer le tambour en éliminant la saleté et toute accumulation dans le tambour. • À effectuer tous les 40 lavages. • Assurez-vous que le tambour est vide.
Vêtements d'extérieur	<ul style="list-style-type: none"> • Pour les vêtements d'extérieur, des vêtements de ski et des vêtements de sport fabriqués dans des matières fonctionnelles telles que le spandex, le stretch et les microfibres.
Jeans	<ul style="list-style-type: none"> • Pour le denim et les jeans. • Retournez le vêtement avant de le laver. • Le denim et les jeans contiennent souvent un surplus de teinture qui peut dégorger lors des premiers lavages. Lavez les articles clairs et foncés séparément.
Laine	<ul style="list-style-type: none"> • Lainages lavables en machine. • Le cycle Laine se caractérise par de petites vibrations et le trempage afin d'éviter que les fibres de laine ne se froissent ou ne se déforment. • L'utilisation d'une lessive neutre est recommandée.
Couleurs	<ul style="list-style-type: none"> • Ce cycle permet de laver des articles avec une eau à basse température pour éviter toute décoloration
Infroissable	<ul style="list-style-type: none"> • Tissus synthétiques infroissables et linge peu à moyennement sale.
Éco froid	<ul style="list-style-type: none"> • Pour le linge normalement et peu sale. Ce cycle utilise uniquement de l'eau froide pour économiser de l'énergie. L'eau froide évite également d'endommager le tissu.
Vapeur draps	<ul style="list-style-type: none"> • Cycle Draps avec la fonction vapeur.
Vap. allerg.	<ul style="list-style-type: none"> • Pour éliminer la poussière, le pollen et d'autres substances allergènes inertes dans les tissus.
Vapeur intense	<ul style="list-style-type: none"> • Cycle Grande capacité avec la fonction Vapeur.
Rinç. intsf	<ul style="list-style-type: none"> • Pour laver avec des performances de rinçage puissantes.
Essorage uniqmt	<ul style="list-style-type: none"> • Pour effectuer uniquement le cycle d'essorage.



Opérations

Tableau des cycles

Utilisez ce tableau afin de définir les cycles et les options les mieux adaptés à votre linge.

Temp.	Spin (Essorage)	Soil (Degré de salissure)
5 : Très chaude	5 : Très élevée	5 : Très intense
4 : Chaude	4 : Élevée	4 : Intense
3 : Tiède	3 : Moyenne	3 : Normal
2 : Froide	2 : Faible	2 : Faible
1 : Eau froide du robinet	1 : Très faible	1 : Très faible
	Sans essorage	
	Sans vidange	

● : réglage par défaut, ○ : peut être sélectionné

Cycle	Temp.					Spin (Essorage)							Soil (Degré de salissure)				
	5	4	3	2	1	5	4	3	2	1	Sans essorage	Sans vidange	5	4	3	2	1
Normal	○	○	●	○	○	○	●	○	○		○	○	○	○	●	○	○
Vap. normal		●				○	●	○	○	○	○	○	○	○	○	○	○
Couleurs				●		○	●	○	○	○	○	○	○	○	○	○	○
Rinç. intensif		○	●	○	○	○	●	○	○	○	○	○	○	○	○	○	○
Super rapide		○	●			○	●	○	○	○	○	○	○	○	○	○	○
Grande capacité	○	●	○	○	○	●	○	○	○	○	○	○	○	○	○	○	○
Vapeur intense		●				●	○	○	○	○	○	○	○	○	○	○	○
Draps			●	○	○			●	○	○	○	○	○	○	○	○	○
Vapeur draps			●					●	○	○	○	○	○	○	○	○	○
Vapeur blanc		●				○	●	○	○	○	○	○	○	○	○	○	○
Vap. assain.	●					○	●	○	○	○	○	○	○	○	○	○	○
Vap. allerg.		●				○	●	○	○	○	○	○	○	○	○	○	○
Infroissable			●	○	○		○	○	●	○	○	○	○	○	○	○	○
Petite charge		○	●	○	○	○	○	●	○	○	○	○	○	○	○	○	○
Serviettes		○	●	○	○	○	●	○	○	○	○	○	○	○	○	○	○
Éco froid				○	●	○	●	○	○	○	○	○	○	○	○	○	○
Sport			●	○	○				●	○	○	○	○	○	○	○	○
Délicat			○	○	●			●	○	○	○	○	○	○	○	○	○
Laine			●	○	○				●	○	○	○			●		
Vêtements d'extérieur			●	○	○			●	○	○	○	○	○	○	○	○	○
Jeans			●	○	○				●	○	○	○	○	○	○	○	○
Rinçage + Essorage						○	●	○	○	○	○	○					
Essorage uniqmt						○	●	○	○	○	○						
Nettoyage+	●					●									●		



Cycle	Options		
	Rinç supp	Super rapide	Prétrempg
Normal	<input type="radio"/>		<input type="radio"/>
Vap. normal	<input type="radio"/>		<input type="radio"/>
Couleurs	<input type="radio"/>		<input type="radio"/>
Rinç. intsif	<input type="radio"/>		<input type="radio"/>
Super rapide	<input type="radio"/>	<input checked="" type="radio"/>	
Grande capacité	<input type="radio"/>	<input type="radio"/>	<input type="radio"/>
Vapeur intense	<input type="radio"/>	<input type="radio"/>	<input type="radio"/>
Draps	<input type="radio"/>		<input type="radio"/>
Vapeur draps	<input type="radio"/>		<input type="radio"/>
Vapeur blanc	<input type="radio"/>	<input type="radio"/>	<input type="radio"/>
Vap. assain.	<input type="radio"/>		<input type="radio"/>
Vap. allerg.	<input type="radio"/>	<input type="radio"/>	<input type="radio"/>
Infroissable	<input type="radio"/>		<input type="radio"/>
Petite charge	<input type="radio"/>		
Serviettes	<input type="radio"/>		<input type="radio"/>
Éco froid	<input type="radio"/>		<input type="radio"/>
Sport	<input type="radio"/>		<input type="radio"/>
Délicat	<input type="radio"/>		
Laine			
Vêtements d'extérieur	<input type="radio"/>		
Jeans	<input type="radio"/>		<input type="radio"/>
Rinçage + Essorage	<input type="radio"/>		
Essorage uniqmt			
Nettoyage+			



Opérations

Options

Utilisation du menu Options

1. Appuyez doucement sur **Options**.
2. Tournez la **molette de navigation** pour sélectionner la fonction supplémentaire souhaitée.
3. Appuyez doucement sur **OK** pour modifier les réglages de la fonction sélectionnée ou pour démarrer la fonction.

REMARQUE

- Pour revenir à l'écran principal, appuyez à nouveau doucement sur **Options** ou tournez la **molette de navigation** pour sélectionner **Retour** et appuyez doucement sur **OK**.
- Si la fonction sélectionnée n'est pas prise en charge, le message « **Non pris en charge** » s'affiche et le bouton **OK** n'est pas actif.
- Lorsque vous sélectionnez une fonction supplémentaire, un court message d'aide apparaît lors des dix premières utilisations.

Sup rapid

Utilisez cette fonction si vous devez raccourcir la durée de lavage.

1. Appuyez doucement sur **Options**.
2. Tournez la **molette de navigation** pour sélectionner **Super rapide**, puis appuyez doucement sur **OK**.
3. Appuyez doucement sur **OK** pour sélectionner **On** ou **Off**.
 - Uniquement disponible avec les cycles **Grande capacité**, **Super rapide**, **Vapeur blanc**, **Vap. allerg.** et **Vapeur intense**.
 - La durée réduite peut varier selon la charge/les options.

Rinç supp

Permet d'ajouter un cycle de rinçage supplémentaire à la fin du cycle afin d'éliminer les additifs de lessive plus en profondeur.

1. Appuyez doucement sur **Options**.
2. Tournez la **molette de navigation** pour sélectionner **Rinç supp**, puis appuyez doucement sur **OK**.
3. Appuyez doucement sur **OK** pour sélectionner **On** ou **Off**.

Prétrempg

Ce bouton permet d'ajouter 30 minutes de trempage au début du cycle de lavage pour mieux éliminer les taches.

1. Sélectionnez un cycle et modifiez les réglages du cycle au besoin.
2. Appuyez doucement sur **Options**.
3. Tournez la **molette de navigation** pour sélectionner **Prétrempg**, puis appuyez doucement sur **OK**.
4. Appuyez doucement sur **OK** pour sélectionner **On** ou **Off**.



Mes cycles

Ajoutez ou supprimez des cycles pour créer une liste de cycles personnalisée.

1. Appuyez doucement sur **Options**.
2. Tournez la **molette de navigation** pour sélectionner **Mes cycles**, puis appuyez doucement sur **OK**.
 - Vous ne pouvez modifier un cycle pour créer un cycle personnalisé que lorsque le lave-linge n'est pas en cours de fonctionnement.
3. Tournez la **molette de navigation** pour sélectionner le cycle souhaité.
4. Appuyez doucement sur **OK** pour ajouter ou supprimer le cycle sélectionné.
 - L'ajout ou la suppression du cycle est automatiquement enregistré(e).
5. Une fois que vous avez fini de créer la liste Mes cycles, appuyez doucement sur **Options** pour revenir à l'écran des cycles.

REMARQUE

- Les cycles Normal ne peuvent pas être supprimés de la liste des cycles.
- Vous pouvez également modifier la liste Mes cycles sur l'application SmartThings.


Arrêt différé

Vous pouvez programmer votre lave-linge pour que le cycle de lavage se termine automatiquement plus tard, en choisissant un arrêt différé de 1 à 24 heures (par tranches de 1 heure). L'heure affichée correspond à celle à laquelle le lavage se terminera.

1. Sélectionnez un cycle et modifiez les réglages du cycle au besoin.
2. Appuyez doucement sur **Options**.
3. Tournez la **molette de navigation** pour sélectionner **Arrêt différé**, puis appuyez doucement sur **OK**.
4. Tournez la **molette de navigation** pour sélectionner l'heure souhaitée, puis appuyez doucement sur **OK**.
5. Laissez le doigt appuyé doucement sur **▷||**.
 - Le voyant s'affiche à l'écran et le lave-linge fait tourner le tambour pour détecter le poids de la charge (si la fonction de détection de la charge est pré-réglée pour le cycle sélectionné). Une fois la détection de la charge terminée, l'écran affiche le temps restant jusqu'à la fin du cycle de lavage.
 - Pour annuler la fonction Arrêt différé, appuyez doucement sur **⏻** pour redémarrer le lave-linge.

Sécu. enfant

Afin d'éviter que des enfants ou bébés ne démarrent ou paramètrent accidentellement le lave-linge, la fonction Sécu. enfant permet de verrouiller tous les boutons à l'exception des boutons **⏻** et **Options**.

1. Appuyez doucement sur **Options**.
2. Tournez la **molette de navigation** pour sélectionner **Sécu. enfant**, puis appuyez doucement sur **OK**.
3. Appuyez doucement sur **OK** pour sélectionner **On** ou **Off**.
 - L'icône Sécu. enfant  s'allume lorsque la fonction est activée.

REMARQUE

- Lorsque la fonction Sécu. enfant est activée, tous les boutons sont désactivés à l'exception des boutons **⏻** et **Options**. Le hublot du lave-linge se verrouille également.
- Si vous appuyez doucement sur un bouton alors que la fonction Sécu. enfant est activée, une alarme se déclenche accompagnée du message « **Sécurité enfant activée** ».
- Vous ne pouvez pas ouvrir le hublot après un cycle de lavage lorsque la fonction Sécu. enfant est activée. Désactivez la fonction avant d'ouvrir le hublot pour sortir le linge.



Opérations

Réglages

Utilisation du menu Réglages

1. Laissez le doigt appuyé doucement sur **Options** pendant 3 secondes.
2. Tournez la **molette de navigation** et sélectionnez la fonction système souhaitée, puis appuyez doucement sur **OK**.
3. Appuyez doucement sur **OK** pour modifier les réglages de la fonction sélectionnée ou pour démarrer la fonction.

REMARQUE

Pour revenir à l'écran principal, appuyez à nouveau doucement sur **Options** ou tournez la **molette de navigation** pour sélectionner **Retour** et appuyez doucement sur **OK**.

Modèle d'IA

Cette fonction enregistre les cycles et réglages fréquemment utilisés. Lorsque vous activez cette fonction, le lave-linge mémorise les cycles que vous utilisez le plus ainsi que leurs réglages (Temp., Rinçage, Essorage) et les affiche par ordre de fréquence.

1. Laissez le doigt appuyé doucement sur **Options** pendant 3 secondes.
2. Tournez la **molette de navigation** pour sélectionner **Modèle d'IA**, puis appuyez doucement sur **OK**.
3. Appuyez doucement sur **OK** pour sélectionner **On** ou **Off**.
 - Le réglage par défaut est On. Réglez-la sur Off si vous ne souhaitez pas utiliser cette fonction.
 - Lorsque vous désactivez la fonction, toutes les données enregistrées se réinitialisent.

Son

Vous pouvez activer ou désactiver le son du lave-linge.

1. Laissez le doigt appuyé doucement sur **Options** pendant 3 secondes.
2. Tournez la **molette de navigation** pour sélectionner **Son**, puis appuyez doucement sur **OK**.
3. Appuyez doucement sur **OK** pour sélectionner **On** ou **Off**.
 - Le réglage par défaut est On.

REMARQUE

Le réglage reste inchangé même si vous redémarrez le lave-linge.

Calibrage


Vous pouvez relancer le calibrage pour une détection précise du poids.

1. Laissez le doigt appuyé doucement sur **Options** pendant 3 secondes.
2. Tournez la **molette de navigation** pour sélectionner **Calibrage**, puis appuyez doucement sur **OK**.
 - Le calibrage ne démarre pas si le hublot est mal fermé.
 - Le tambour tourne dans le sens horaire et antihoraire pendant environ 3 minutes.
3. Une fois le calibrage terminé, le message « Calibrage terminé » apparaît à l'écran et le lave-linge se met automatiquement hors tension.



Wi-Fi

Vous pouvez activer ou désactiver la connexion Wi-Fi du lave-linge.

1. Laissez le doigt appuyé doucement sur **Options** pendant 3 secondes.
2. Tournez la **molette de navigation** pour sélectionner **Wi-Fi**, puis appuyez doucement sur **OK**.
3. Appuyez doucement sur **OK** pour sélectionner **On** ou **Off**.
 - Le Wi-Fi du lave-linge est activé par défaut. Toutefois, la connexion Wi-Fi du lave-linge s'active automatiquement lorsque vous mettez le lave-linge sous tension pour la première fois. Par la suite, le réglage final de la fonction Wi-Fi est conservé quel que soit l'état d'alimentation du lave-linge.
 - Une fois que vous activez la connexion Wi-Fi du lave-linge et que vous connectez l'appareil à un réseau, le lave-linge reste connecté au réseau même si vous le mettez hors tension.
 - L'icône  de la fonction Wi-Fi indique que le lave-linge est connecté au routeur par connexion Wi-Fi.


Langue

Vous pouvez changer la langue du système.

1. Laissez le doigt appuyé doucement sur **Options** pendant 3 secondes.
2. Tournez la **molette de navigation** pour sélectionner **Langue**, puis appuyez doucement sur **OK**.
3. Tournez la **molette de navigation** pour sélectionner la langue souhaitée, puis appuyez doucement sur **OK**.

Self Diagnosis

Vous pouvez utiliser cette fonction pour vérifier s'il y a des signes anormaux sur votre lave-linge.

1. Laissez le doigt appuyé doucement sur **Options** pendant 3 secondes.
2. Tournez la **molette de navigation** pour sélectionner **Self Diagnosis**, puis appuyez doucement sur **OK**.
 - La fonction Self Diagnosis démarre immédiatement et le message « **Test en cours** » s'affiche pendant le processus d'auto-diagnostic.
 - Une fois que le processus d'auto-diagnostic commence, seul le bouton  reste actif.
 - Si le lave-linge détecte une erreur, un code d'information et la solution correspondante s'affichent sur le panneau de commande.

Réinitialiser

Vous pouvez réinitialiser le lave-linge.

1. Laissez le doigt appuyé doucement sur **Options** pendant 3 secondes.
2. Tournez la **molette de navigation** pour sélectionner **Réinitialiser**, puis appuyez doucement sur **OK**.
 - Votre lave-linge rétablit ses réglages d'usine.




Opérations

Fonctions spéciales

Smart control (modèles applicables uniquement)

Vous pouvez connecter votre lave-linge à l'application SmartThings et le contrôler à distance.

Connecter votre lave-linge

1. Téléchargez et ouvrez l'application SmartThings sur votre smartphone ou tablette (Android et iOS).
2. Appuyez doucement sur  pour mettre le lave-linge sous tension.
3. Laissez le doigt appuyé doucement sur **Smart Control**.
 - a. Le lave-linge passe en mode AP (Point d'accès) et se connecte à votre smartphone ou tablette.
 - b. Appuyez doucement sur **Smart Control** pour authentifier votre lave-linge.
 - c. Une fois le processus d'authentification terminé, votre lave-linge est connecté avec succès à l'application.
 - Vous pouvez utiliser les diverses fonctions disponibles sur l'application SmartThings.

REMARQUE

- Si votre lave-linge ne parvient pas à se connecter à l'application SmartThings, réessayez.
- Vérifiez votre routeur si vous rencontrez des problèmes de connexion Internet après avoir connecté votre lave-linge à l'application SmartThings.
- Si la fonction Wi-Fi est désactivée, laissez le doigt appuyé doucement sur **Options** pendant 3 secondes pour aller sur Fonctions système, puis sélectionnez Wi-Fi pour l'activer.
- L'activation de la connexion Wi-Fi du lave-linge vous permet d'établir la connexion avec le lave-linge via l'application SmartThings sur votre smartphone ou tablette, quel que soit l'état d'alimentation du lave-linge. Toutefois, le lave-linge apparaît comme étant hors ligne sur l'application SmartThings si la connexion Wi-Fi du lave-linge est désactivée.
- Fermez le hublot avant de démarrer la fonction Smart Control.
- Si vous utilisez votre lave-linge pendant quelques temps sans le connecter à l'application SmartThings, un message contextuel relatif à la fonction Smart Control s'affiche pendant 3 secondes.
- Si la connexion Wi-Fi du lave-linge à un PA (point d'accès) n'est pas établie, la fonction Wi-Fi se désactive lorsque vous mettez l'appareil hors tension.

Maintien de connexion

Configurez la fonction Maintien de connexion sur votre application SmartThings pour que la fonction Smart Control reste activée à la fin d'un cycle. Votre lave-linge reste connecté à l'application. Ainsi, vous pouvez lui envoyer d'autres instructions, que soyez chez vous ou non.

1. Si vous activez la fonction Maintien de connexion sur l'application SmartThings, le lave-linge reste en mode Veille après la fin d'un cycle.
 - La fonction Maintien de connexion reste active pendant 7 jours maximum si le hublot reste fermé.
2. Lorsque la fonction Maintien de connexion est activée, les icônes des fonctions Smart Control, Verrouillage du hublot et Wi-Fi s'allument sur l'écran de votre lave-linge.
3. Vous pouvez contrôler votre lave-linge de manière pratique, en ajoutant des cycles de rinçage, d'essorage ou de séchage à l'aide de l'appli SmartThings.

REMARQUE

- Le lave-linge passe en mode Veille lorsque son cycle est mis en pause, même si l'appareil n'est pas connecté à l'application SmartThings.
- Dans certains cas, il se peut que seule l'icône de la fonction Verrouillage du hublot soit allumée.



SmartThings

Connexion Wi-Fi

Sur votre smartphone ou tablette, allez dans **Settings (Réglages)**, activez la connexion sans fil et sélectionnez un PA (point d'accès).

- Cet appareil prend en charge les protocoles Wi-Fi 2,4 GHz.

Téléchargement

Sur un marché d'applications (Google Play Store, Apple App Store, Samsung Galaxy Apps), trouvez l'application SmartThings en recherchant le terme « SmartThings ». Téléchargez et installez l'application sur votre appareil.

REMARQUE

L'application est susceptible d'être modifiée sans préavis en vue d'en améliorer les performances.

Connexion

Vous devez d'abord vous connecter sur SmartThings avec votre compte Samsung. Pour créer un nouveau compte Samsung, suivez les instructions de l'application. Vous n'avez pas besoin d'une application distincte pour créer votre compte.

REMARQUE

Si vous avez déjà un compte Samsung, utilisez-le pour vous connecter. Un utilisateur ayant un smartphone ou une tablette Samsung enregistré peut se connecter automatiquement.

Pour enregistrer votre appareil sur SmartThings

1. Assurez-vous que votre smartphone ou tablette est connecté à un réseau sans fil. Si ce n'est pas le cas, allez dans **Settings (Réglages)**, activez la connexion sans fil et sélectionnez un point d'accès.
2. Ouvrez l'application **SmartThings** sur votre smartphone ou tablette.
3. Si le message « A new device is found.(Nouvel appareil détecté.) » s'affiche, sélectionnez **Add (Ajouter)**.
4. Si aucun message n'apparaît, sélectionnez **+** et sélectionnez votre appareil dans la liste des appareils disponibles. Si votre appareil ne figure pas dans la liste, sélectionnez **Device Type (Type d'appareil) > Specific Device Model (Modèle d'appareil spécifique)**, puis ajoutez manuellement votre appareil.
5. Enregistrez votre appareil sur l'application SmartThings comme suit.
 - a. Ajoutez votre appareil sur SmartThings. Assurez-vous que votre appareil est connecté à SmartThings.
 - b. Une fois l'enregistrement terminé, votre appareil apparaît sur votre smartphone ou tablette.

Si vous déménagez, nous vous recommandons d'effacer complètement l'appareil et d'effectuer une réinitialisation du réseau dessus avant de le laisser derrière vous.

Si vous emménagez, la méthode la plus simple pour supprimer l'accès de l'ancien utilisateur et prendre le contrôle de l'appareil, c'est de l'ajouter sur SmartThings vous-même. Mais si vous ne comptez pas utiliser SmartThings, vous devrez effectuer une réinitialisation du réseau afin de protéger votre vie privée. Les logements locatifs changent régulièrement d'occupants. Pour protéger la vie privée des occupants, les paramètres Wi-Fi et/ou autres paramètres de connectivité doivent être réinitialisés à chaque changement d'occupants. Veuillez vous reporter aux instructions de réinitialisation aux paramètres d'usine figurant dans le présent manuel.



Maintenance



Veillez à ce que le lave-linge reste propre afin d'éviter de dégrader ses performances et pour préserver sa durée de vie.

AVERTISSEMENT

La mise à la terre de certaines pièces internes n'a volontairement pas été effectuée ; ces éléments peuvent donc présenter un risque d'électrocution (lors de l'entretien uniquement). Technicien de maintenance – Ne touchez pas les pièces suivantes lorsque l'appareil est sous tension : panneau de commande, dissipateur thermique, moteur, vanne d'alimentation en eau et pompe.

Nettoyage+

Certaines conditions d'utilisation et environnementales peuvent entraîner une accumulation de résidus ou le développement de mauvaises odeurs dans le tambour du lave-linge. Pour éviter cette accumulation ou le développement de mauvaises odeurs et ainsi garder un tambour de lave-linge frais et propre, lancez le cycle Nettoyage+ au moins une fois par mois ou tous les 40 cycles. Suivez la procédure recommandée ci-dessous lors de l'utilisation du cycle Nettoyage+.

1. Appuyez doucement sur .
2. Tournez la **molette de navigation** pour sélectionner **Nettoyage+**.
3. Laissez le doigt appuyé doucement sur .


ATTENTION

Si de l'eau de Javel chlorée est laissée dans le tambour du lave-linge pendant une période prolongée, de la rouille peut se former.

REMARQUE

- La température de l'eau pour le cycle Nettoyage+ est réglée par défaut sur Très chaude. Cette température ne peut pas être modifiée.
- En présence de résidus dans le tambour du lave-linge, versez de l'eau de Javel chlorée liquide jusqu'au trait de remplissage maximum du compartiment de lavage principal, avant de démarrer le cycle Nettoyage+. N'ajoutez pas d'eau de Javel chlorée liquide dans le compartiment d'eau de Javel (c'est uniquement le cas pour le cycle Nettoyage+).
- Ne dépassez pas le trait de remplissage maximum. N'utilisez pas et ne mélangez pas d'autres produits de nettoyage ou chimiques pendant le cycle Nettoyage+. Si nécessaire, lancez un cycle Rinçage+Essorage une fois le cycle Nettoyage+ terminé, afin de faciliter le retrait des résidus restants.

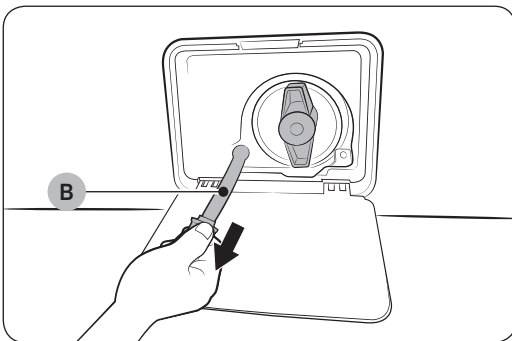
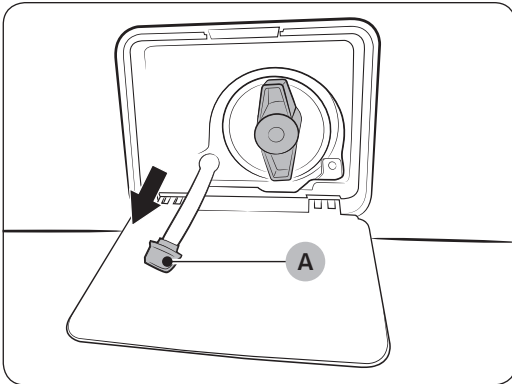
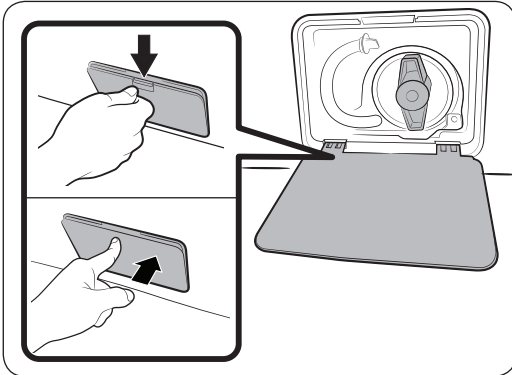
Rappel Nettoyage+

- Tous les 40 cycles, le lave-linge affiche le message « **Décuvezle linge et appuzyez sur  pour nettoyer le lave-linge** » pendant une heure pour vous avertir de lancer le cycle **Nettoyage+**.
- Nous vous recommandons de lancer le cycle régulièrement pour des questions d'hygiène.
- Vous verrez le message d'alerte **Nettoyage+** s'afficher lorsque le lave-linge termine un cycle. Si vous ouvrez le hublot, le message disparaît et l'affichage montre automatiquement l'écran de réglage du cycle **Nettoyage+**.
- Le rappel apparaîtra sur le panneau de commande pendant 5 autres cycles consécutifs avant de disparaître. Le rappel suivant n'apparaîtra pas avant que 40 autres cycles aient été effectués.



Vidange d'urgence

En cas de coupure de courant, vidangez l'eau à l'intérieur du tambour avant de retirer le linge.



1. Mettez le lave-linge hors tension et débranchez-le de la prise électrique.
2. Ouvrez le **covercle du filtre**.
 - TYPE 1: Appuyez sur le loquet du couvercle du filtre pour l'ouvrir.
 - TYPE 2: Appuyez doucement sur la partie supérieure du couvercle de filtre pour ouvrir.
3. Placez un grand bac vide autour du cache et tirez le tuyau de vidange d'urgence jusqu'au bac tout en maintenant le **bouchon du tuyau (A)**.
4. Ouvrez le bouchon du tuyau et laissez couler l'eau du **tuyau de vidange d'urgence (B)** dans le bac.
5. Lorsque vous avez terminé, fermez le bouchon du tuyau et réinsérez le tuyau. Puis, fermez le capot du filtre.

REMARQUE

Utilisez un grand bac car la quantité d'eau dans le tambour peut être plus importante que vous ne le pensez.



Maintenance

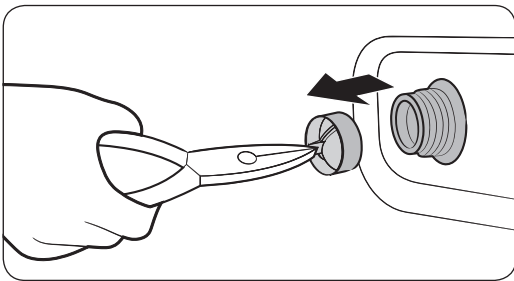
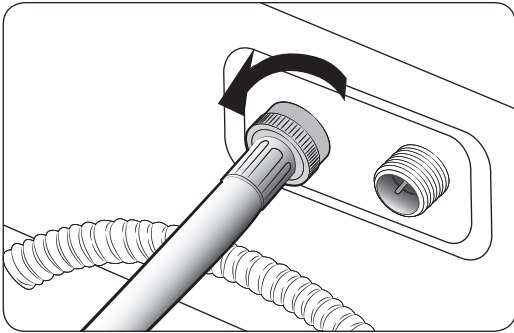
Nettoyage

Surface du lave-linge

Utilisez un chiffon doux avec un produit d'entretien ménager non abrasif. Ne pulvérisez pas d'eau sur le lave-linge.

Filtre à maille

Nettoyez le filtre à maille du tuyau d'eau une ou deux fois par an.



1. Éteignez le lave-linge et débranchez le cordon d'alimentation.
2. Fermez le robinet d'eau.
3. Desserrez et débranchez le tuyau d'eau à l'arrière du lave-linge. Couvrez le tuyau avec un chiffon pour éviter que l'eau ne se répande.
4. Utilisez une pince pour retirer le filtre à maille de l'intérieur de la vanne d'arrivée d'eau.
5. Plongez le filtre à maille en profondeur dans de l'eau de sorte que le raccord fileté soit lui aussi submergé.
6. Séchez le filtre à maille complètement à l'ombre.
7. Réinstallez le filtre à maille dans la vanne d'arrivée d'eau et rebranchez le tuyau d'eau sur cette dernière.
8. Ouvrez le robinet d'eau.

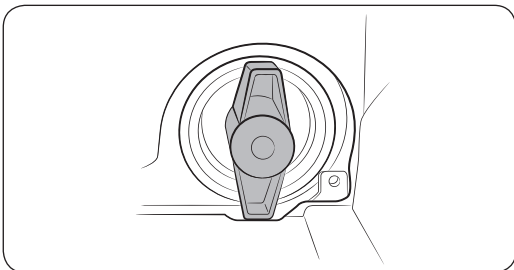
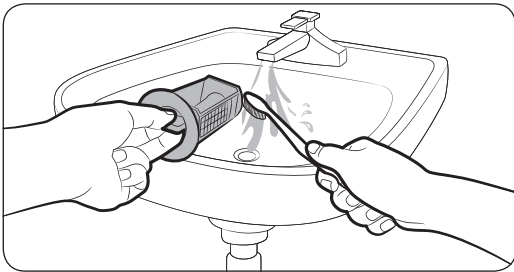
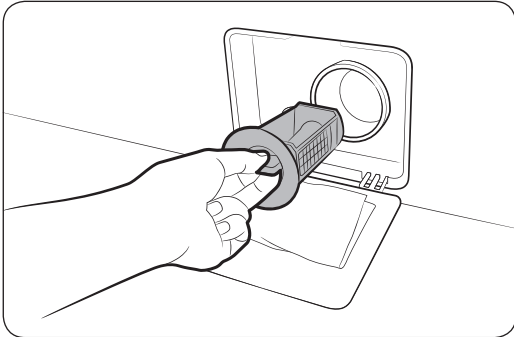
REMARQUE

Si le filtre à maille est obstrué, le code d'information « **Examinez les robinets et redémarrez** » apparaît sur l'écran.



Filtre de la pompe

Il est recommandé de nettoyer le filtre de la pompe tous les 2 mois pour prévenir son obstruction. Un filtre de pompe bouche peut réduire l'effet des bulles.



1. Éteignez le lave-linge et débranchez le cordon d'alimentation.
2. Vidangez le reste d'eau contenu dans le tambour. Consultez la section « **Vidange d'urgence** ».
3. Appuyez doucement sur la zone supérieure du **cache du filtre** pour l'ouvrir.
4. Tournez le bouton du filtre de la pompe vers la gauche, et vidangez l'eau restante.
5. Nettoyez le filtre de la pompe en utilisant des brosses douces. Assurez-vous que l'hélice de la pompe de vidange située dans le filtre n'est pas bloquée.
6. Réinsérez le filtre de la pompe et tournez le bouton du filtre vers la droite.

REMARQUE

- Certains filtres de pompe disposent d'un bouton de sécurité conçu pour éviter les accidents impliquant des enfants. Pour ouvrir le bouton de sécurité du filtre de la pompe, poussez-le et tournez-le dans le sens antihoraire. Le mécanisme de ressort du bouton de sécurité aide à ouvrir le filtre.
- Pour fermer le bouton de sécurité du filtre de la pompe, tournez-le dans le sens horaire. Le ressort émet un cliquetis, ce qui est normal.

REMARQUE

- Le message « **Nettoyez le filtre** » s'affiche sur le panneau de commande tous les 100 lavages.
- Si le filtre de la pompe est obstrué, le code d'information « **Nettoyez le filtre** » apparaît sur l'écran.

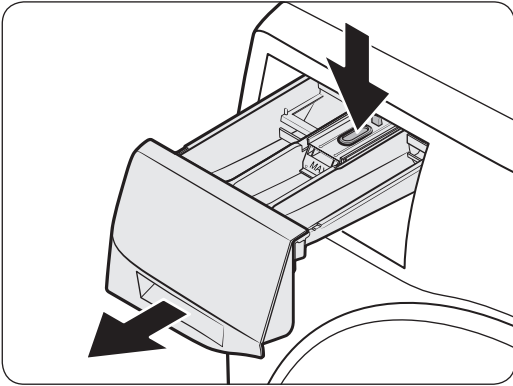
ATTENTION

- Assurez-vous que le bouton du filtre est correctement verrouillé après avoir nettoyé le filtre. Dans le cas contraire, cela peut provoquer une fuite.
- Assurez-vous que le filtre est correctement inséré après l'avoir nettoyé. Dans le cas contraire, cela peut causer une défaillance opérationnelle ou une fuite.

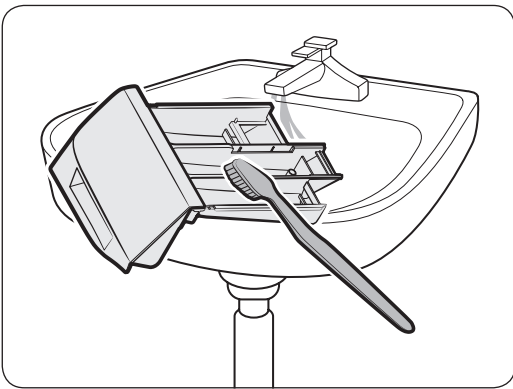


Maintenance

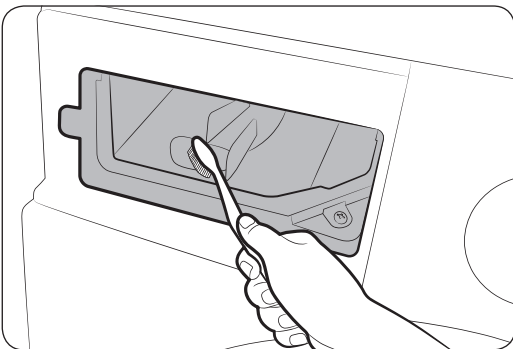
Tiroir à lessive



1. Tout en abaissant la **manette d'ouverture** à l'intérieur du tiroir, faites glisser le tiroir.



2. Nettoyez les composants du tiroir à l'eau courante à l'aide d'une brosse souple.



3. Nettoyez l'emplacement du tiroir à l'aide d'une brosse pour éliminer les résidus de lessive et le calcaire qui s'y trouvent.
4. Réinsérez le Bac à lessive liquide dans le compartiment.
5. Faites glisser le tiroir vers l'intérieur pour le fermer.

REMARQUE

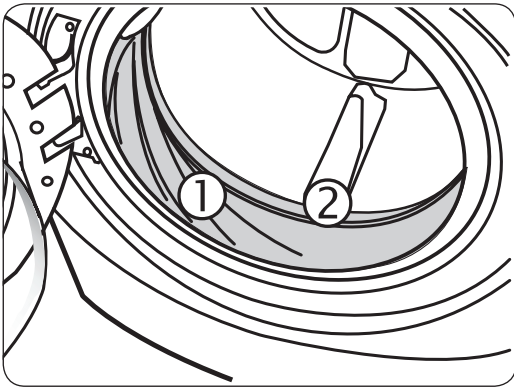
Assurez-vous que le logement du tiroir est complètement sec avant d'insérer le tiroir à détergent.

REMARQUE

Pour retirer le détergent restant, lancez un cycle **Rinçage+Essorage** en laissant le tambour vide.



Joint du hublot



1. Ouvrez le hublot et retirez tous les vêtements ou articles du tambour.
2. Vérifiez qu'il n'y ait pas de substances étrangères sur les diaphragmes ① entre le couvercle et le tambour.
Pour vérifier ceci, coupez le diaphragme ②.
3. Si des substances étrangères sont présentes, retirez-les.
4. Si vous constatez des zones tachées, essuyez-les en respectant la procédure ci-dessous :
 - a) Mélangez soigneusement $\frac{3}{4}$ de tasse (177 ml) d'eau de Javel chlorée et 1 gallon (3,8 l) d'eau chaude du robinet.
 - b) Essuyez la zone du diaphragme avec la solution diluée en utilisant un chiffon humide.
 - c) Laissez reposer 5 minutes.
 - d) Essuyez soigneusement la zone avec un chiffon sec et laissez le hublot ouvert pour que l'intérieur du lave-linge sèche.

⚠ ATTENTION

Portez toujours des gants en caoutchouc pour les opérations de nettoyage prolongées.
Reportez-vous aux instructions du fabricant de l'eau de Javel pour utiliser le produit correctement.

Reprise du fonctionnement après du gel

Le lave-linge peut geler quand la température tombe en-dessous de 0°C.

1. Éteignez le lave-linge et débranchez le cordon d'alimentation.
2. Versez de l'eau tiède sur le robinet d'eau pour assouplir le tuyau d'eau.
3. Débranchez le tuyau d'eau et trempez-le dans de l'eau tiède.
4. Versez de l'eau tiède dans le tambour et laissez-la agir pendant environ 10 minutes.
5. Raccordez le tuyau d'eau au robinet d'eau.

📄 REMARQUE

Si le lave-linge ne fonctionne toujours pas normalement, répétez les étapes ci-dessus jusqu'à ce qu'il fonctionne normalement.



Maintenance

Faites attention à une inutilisation prolongée

Évitez de ne pas utiliser le lave-linge pendant une période prolongée. Si c'est le cas, vidangez le lave-linge et débranchez le cordon d'alimentation.

1. Tournez la **molette de navigation** pour sélectionner un **Rinçage+Essorage**.
2. Videz le tambour, puis laissez le doigt appuyé doucement sur▷||.
3. Lorsque le cycle est terminé, fermez les robinets d'eau et débranchez les tuyaux d'eau.
4. Éteignez le lave-linge et débranchez le cordon d'alimentation.
5. Ouvrez le hublot pour faire circuler l'air dans le tambour.

Nettoyer l'extérieur

1. Fermez les robinets d'eau après avoir terminé la lessive de la journée.
Cela permettra de couper l'arrivée d'eau dans votre lave-linge et d'empêcher tout dégât des eaux potentiel. Laissez le hublot ouvert pour permettre à l'intérieur de votre lave-linge de sécher.
2. Utilisez un chiffon doux pour essuyer les traces de lessive, d'agent de blanchiment ou d'autres produits sur les parois de la machine.

Conseils de nettoyage recommandés :

- Panneau de commande : nettoyez-le avec un chiffon doux et humide.
N'utilisez pas de poudres abrasives ni de tampons à récurer. Ne vaporisez aucun produit d'entretien directement sur le panneau de commande.
- Châssis : nettoyez-le à l'eau et au savon.

Nettoyer l'intérieur

Nettoyez régulièrement le tambour pour enlever la poussière, la saleté, les odeurs, les moisissures ou les bactéries qui pourraient s'y être accumulées après une lessive.

ATTENTION

Le non-respect de ces instructions peut avoir des conséquences désagréables, comme le dégagement d'odeurs désagréables ou le transfert de traces indélébiles sur le lave-linge ou le linge.

REMARQUE

Éliminez les dépôts calcaires si besoin. Utilisez un produit dit « Adapté aux lave-linge ».



Dépannage

En cas de problème, vérifiez le message d'information sur l'écran LCD et suivez les instructions affichées à l'écran.

Si le problème persiste, veuillez contacter le centre de dépannage.

Contrôles à effectuer

Si vous rencontrez un problème avec le lave-linge, consultez tout d'abord le tableau ci-dessous et essayez les suggestions proposées.

Problème	Action
Le lave-linge ne démarre pas.	<ul style="list-style-type: none"> Assurez-vous que le lave-linge est branché. Assurez-vous que le hublot est correctement fermé. Assurez-vous que les robinets d'eau sont ouverts. Laissez le doigt appuyé doucement sur ▶ pour démarrer le lave-linge. Assurez-vous que la fonction Sécu. enfant n'est pas activée. Avant de se remplir, votre lave-linge émet une série de cliquetis ; ces cliquetis indiquent qu'il vérifie que le hublot est bien verrouillé et qu'il effectue une vidange rapide. Vérifiez les fusibles ou réarmez le disjoncteur. Vérifiez que l'alimentation électrique est correctement fournie. Basse tension détectée. <ul style="list-style-type: none"> Vérifiez si le cordon d'alimentation est branché. Assurez-vous que le linge n'est pas pris dans le hublot.
L'arrivée d'eau est insuffisante ou interrompue.	<ul style="list-style-type: none"> Ouvrez entièrement le robinet d'eau. Assurez-vous que le hublot est correctement fermé. Assurez-vous que le tuyau d'arrivée d'eau n'est pas gelé. Assurez-vous que le tuyau d'arrivée d'eau n'est pas entortillé ou bouché. Assurez-vous que la pression de l'eau est suffisante. Assurez-vous que le robinet d'eau froide et le robinet d'eau chaude sont correctement raccordés. Nettoyez le filtre à maille car il peut être obstrué.
En fin de cycle, de la lessive subsiste dans le tiroir à lessive.	<ul style="list-style-type: none"> Assurez-vous que la pression d'eau est suffisante pour faire fonctionner le lave-linge. Assurez-vous que de la lessive a été ajoutée dans le bac central du tiroir à lessive. Vérifiez que le bouchon de rinçage est correctement inséré. Si vous utilisez la lessive en poudre, assurez-vous que le sélecteur de lessive est en position haute. Enlevez le bouchon de rinçage et nettoyez le tiroir à lessive.



Dépannage

Problème	Action
<p>Le lave-linge vibre d'une manière excessive ou émet du bruit.</p>	<ul style="list-style-type: none"> Assurez-vous que le lave-linge est installé sur un sol plan et solide non glissant. Si le sol n'est pas plan, utilisez les pieds réglables pour ajuster la hauteur du lave-linge. Assurez-vous que les boulons de transport ont été retirés. Assurez-vous que le lave-linge n'est en contact avec aucun autre objet. Assurez-vous que la charge de linge est bien équilibrée. Le moteur peut générer du bruit lors du fonctionnement normal. Des salopettes ou des vêtements comportant des décorations métalliques peuvent produire du bruit lors du lavage. Ceci est tout à fait normal. Des objets métalliques tels que des pièces de monnaie peuvent provoquer du bruit. Après le lavage, retirez ces objets du tambour ou du boîtier du filtre. Rééquilibrez la charge. Si vous souhaitez ne laver qu'un seul vêtement, par exemple un peignoir de bain ou un jean, il se peut que le résultat final de l'essorage ne soit pas satisfaisant et que le message de vérification « Etalez bien le linge et redémarrez » apparaisse à l'écran.
<p>Le lave-linge ne se vidange pas et/ou n'essore pas.</p>	<ul style="list-style-type: none"> Assurez-vous que le tuyau de vidange est toujours droit dans le système de vidange. Si vous rencontrez un problème de vidange, appelez le centre de dépannage. Assurez-vous que le filtre de la pompe n'est pas bouché. Fermez le hublot, puis laissez le doigt appuyé doucement sur ▷ . Pour des raisons de sécurité, le lave-linge ne tourne et n'essore pas tant que le hublot n'est pas fermé. Assurez-vous que le tuyau de vidange n'est pas gelé ou obstrué. Assurez-vous que le tuyau de vidange est raccordé à un système de vidange non obstrué. Si l'alimentation électrique du lave-linge n'est pas suffisante, le lave-linge ne fera temporairement pas de vidange ni d'essorage. Dès que l'alimentation électrique est à nouveau suffisante, le lave-linge fonctionne normalement. Assurez-vous que le tuyau de vidange est correctement positionné, en fonction du type de raccordement. Nettoyez le filtre de la pompe car il peut être obstrué.
<p>Le hublot ne s'ouvre pas.</p>	<ul style="list-style-type: none"> Laissez le doigt appuyé doucement sur ▷ pour arrêter le lave-linge. Le mécanisme de verrouillage du hublot se débloque après quelques minutes. Le hublot ne s'ouvrira que 3 minutes après l'arrêt ou la mise hors tension du lave-linge. Vérifiez que toute l'eau dans le tambour a été vidangée. Le hublot ne s'ouvre pas s'il reste de l'eau dans le tambour. Vidangez le tambour et ouvrez le hublot manuellement. Vérifiez que le voyant de verrouillage du hublot est éteint. Le voyant de verrouillage du hublot s'éteint après la vidange du lave-linge.



Problème	Action
Quantité de mousse trop importante.	<ul style="list-style-type: none"> • Assurez-vous d'utiliser les types de lessive recommandés. • Utilisez une lessive haute efficacité (HE) pour empêcher la surproduction de mousse. • Réduisez la quantité de lessive pour les lavages à l'eau douce, les petites charges ou pour le linge peu sale. • Il est vivement conseillé d'utiliser une lessive haute efficacité.
Impossible d'ajouter de la lessive.	<ul style="list-style-type: none"> • Assurez-vous que la quantité de lessive et d'adoucissant restante ne dépasse pas la limite.
L'appareil s'arrête.	<ul style="list-style-type: none"> • Branchez le cordon d'alimentation sur une prise électrique qui fonctionne. • Vérifiez les fusibles ou réarmez le disjoncteur. • Fermez le hublot, puis laissez le doigt appuyé doucement sur ► pour démarrer le lave-linge. Pour des raisons de sécurité, le lave-linge ne tourne et n'essore pas tant que le hublot n'est pas fermé. • Avant de se remplir, votre lave-linge émet une série de cliquetis ; ces cliquetis indiquent qu'il vérifie que le hublot est bien verrouillé et qu'il effectue une vidange rapide. • Le cycle peut comporter une phase de pause ou de trempage. Attendez un peu : le lave-linge devrait se remettre en marche. • Assurez-vous que le filtre à maille du tuyau d'arrivée d'eau sur les robinets d'eau n'est pas obstrué. Nettoyez le filtre à maille régulièrement. • Si l'alimentation électrique du lave-linge n'est pas suffisante, le lave-linge ne fera temporairement pas de vidange ni d'essorage. Dès que l'alimentation électrique est à nouveau suffisante, le lave-linge fonctionne normalement.
La température de l'eau lors du remplissage n'est pas correcte.	<ul style="list-style-type: none"> • Ouvrez entièrement les deux robinets. • Vérifiez le choix de la température. • Assurez-vous que les tuyaux sont branchés sur les bons robinets. Rincez les canalisations d'eau. • Assurez-vous que le chauffe-eau est réglé de sorte d'alimenter le robinet en eau chaude dont la température est de 120 °F (49 °C) minimum. Vérifiez également la capacité et le taux de récupération du chauffe-eau. • Débranchez les tuyaux et nettoyez le filtre à maille. Le filtre à maille peut être obstrué. • Lors du remplissage du lave-linge, la température de l'eau est susceptible de varier car la fonction de contrôle automatique de la température vérifie la température de l'eau entrante. Ceci est tout à fait normal. • Lors du remplissage du lave-linge, vous pouvez remarquer que de seule de l'eau chaude et/ou froide passe par le distributeur alors que des températures froides ou tièdes sont sélectionnées. Ceci est tout à fait normal ; ce phénomène est dû à la fonction de contrôle automatique de la température chargée d'établir la température de l'eau.



Dépannage

Problème	Action
Le linge n'est pas essoré correctement.	<ul style="list-style-type: none"> • Utilisez la vitesse d'essorage Élevée ou Très élevée. • Utilisez une lessive haute efficacité (HE) pour réduire la surproduction de mousse. • La charge n'est pas assez importante. De petites charges (un ou deux articles) risquent de mal se répartir et donc de mal être essorées. • Assurez-vous que le tuyau de vidange n'est pas emmêlé ou bouché.
De l'eau fuit du lave-linge.	<ul style="list-style-type: none"> • Assurez-vous que le hublot est correctement fermé. • Vérifiez que tous les raccordements des tuyaux sont bien serrés. • Assurez-vous que l'extrémité du tuyau de vidange est bien insérée et fixée au système de vidange. • Éviter toute surcharge. • Utilisez une lessive haute efficacité (HE) pour empêcher la surproduction de mousse. • Vérifiez le tuyau de vidange. <ul style="list-style-type: none"> - Assurez-vous que l'extrémité du tuyau de vidange n'est pas placée sur le sol. - Assurez-vous que le tuyau de vidange n'est pas obstrué.
Présence d'odeurs.	<ul style="list-style-type: none"> • De la mousse trop importante s'accumule dans les renforcements et peut entraîner de mauvaises odeurs. • Exécutez des cycles de lavage pour stériliser de manière périodique. • Nettoyez le joint (diaphragme) du hublot. • Séchez l'intérieur du lave-linge lorsqu'un cycle est terminé.

Si un problème persiste, contactez un centre de dépannage. Le numéro du centre de dépannage figure sur l'étiquette apposée sur l'appareil.



Codes d'information

En cas de dysfonctionnement de votre lave-linge, un code d'information peut apparaître sur l'écran. Consultez le tableau ci-dessous et essayez les suggestions proposées.

Code	Action
Nettoyez le filtre	<p>L'eau n'est pas vidangée.</p> <ul style="list-style-type: none"> Assurez-vous que le tuyau de vidange n'est pas gelé ou obstrué. Assurez-vous que le tuyau de vidange est correctement positionné, en fonction du type de raccordement. Nettoyez le filtre de la pompe car il peut être obstrué. Assurez-vous que le tuyau de vidange est toujours droit dans le système de vidange. Si le code d'information subsiste, prenez contact avec le service clientèle
Examinez les robinets et redémarrez	<p>L'eau n'arrive pas.</p> <ul style="list-style-type: none"> Assurez-vous que les robinets d'eau sont ouverts. Assurez-vous que les tuyaux d'eau ne sont pas obstrués. Assurez-vous que les robinets d'eau ne sont pas gelés. Assurez-vous que la pression d'eau est suffisante pour faire fonctionner le lave-linge. Assurez-vous que le robinet d'eau froide et le robinet d'eau chaude sont correctement raccordés. Nettoyez le filtre à maille car il peut être obstrué. Tous les boutons sont désactivés pendant 3 minutes après l'apparition du code d'information. Lorsque le message « Examinez les robinets et redémarrez » apparaît, la machine vidange l'eau pendant 3 minutes. Pendant ce temps, le bouton Marche/Arrêt sera désactivé.
Branchez correctement le tuyau d'eau chaude/froide	<ul style="list-style-type: none"> Assurez-vous que le tuyau d'arrivée d'eau froide est correctement raccordé au robinet d'eau froide. S'il est raccordé au robinet d'eau chaude, le linge pourrait être déformé avec certains cycles.
Étalez bien le linge et redémarrez	<p>L'essorage ne fonctionne pas.</p> <ul style="list-style-type: none"> Assurez-vous que le linge est réparti uniformément. Assurez-vous que le lave-linge est installé sur une surface plane et stable. Rééquilibrez la charge. Si vous souhaitez ne laver qu'un seul vêtement, par exemple un peignoir de bain ou un jean, il se peut que le résultat final de l'essorage ne soit pas satisfaisant et que le message de vérification « Étalez bien le linge et redémarrez » apparaisse à l'écran.
Fermez le hublot du lave-linge et réessayez	<p>Utilisation du lave-linge alors que le hublot est ouvert.</p> <ul style="list-style-type: none"> Assurez-vous que le hublot est correctement fermé. Assurez-vous que le linge n'est pas pris dans le hublot.



Dépannage

Code	Action
OC	<p>De l'eau a débordé.</p> <ul style="list-style-type: none"> Redémarrez le lave-linge après l'essorage. Si le code d'information demeure affiché sur l'écran, contactez un centre de dépannage Samsung local.
LC, LC1	<p>Vérifiez le tuyau de vidange.</p> <ul style="list-style-type: none"> Assurez-vous que l'extrémité du tuyau de vidange n'est pas placée sur le sol. Assurez-vous que le tuyau de vidange n'est pas obstrué. Si le code d'information subsiste, prenez contact avec le service clientèle.
3C	<p>Assurez-vous que le moteur du tambour fonctionne correctement.</p> <ul style="list-style-type: none"> Essayez de relancer le cycle. Si le code d'information subsiste, prenez contact avec le service clientèle.
3CP	<p>Le contrôle électronique doit être vérifié.</p> <ul style="list-style-type: none"> Essayez de relancer le cycle. Si le code d'information subsiste, prenez contact avec le service clientèle.
UC	<p>Vérifiez le fonctionnement du moteur du pulsateur.</p> <ul style="list-style-type: none"> Vérifiez que l'alimentation électrique est correctement fournie. Si le code d'information subsiste, prenez contact avec le service clientèle.
	<p>Basse tension détectée.</p> <ul style="list-style-type: none"> Vérifiez si le cordon d'alimentation est branché. Si le code d'information subsiste, prenez contact avec le service clientèle.
HC	<p>Contrôle du chauffage à haute température.</p> <ul style="list-style-type: none"> Si le code d'information subsiste, prenez contact avec le service clientèle.
1C	<p>Le capteur de niveau d'eau ne fonctionne pas correctement.</p> <ul style="list-style-type: none"> Éteignez le lave-linge et redémarrez le cycle. Si le code d'information subsiste, prenez contact avec le service clientèle.
AC	<p>Vérifiez les communications entre les cartes de circuit imprimé principale et secondaire.</p> <ul style="list-style-type: none"> Éteignez le lave-linge et redémarrez le cycle. Si le code d'information subsiste, prenez contact avec le service clientèle.
8C	<p>Le capteur MEMS ne fonctionne pas correctement.</p> <ul style="list-style-type: none"> Éteignez le lave-linge et redémarrez le cycle. Si le code d'information subsiste, prenez contact avec le service clientèle.
AC6	<p>Vérifiez les communications entre les cartes de circuit imprimé principale et de l'onduleur.</p> <ul style="list-style-type: none"> En fonction de l'état, le lave-linge peut revenir automatiquement en fonctionnement normal. Éteignez le lave-linge et redémarrez le cycle. Si le code d'information subsiste, prenez contact avec le service clientèle.



Code	Action
DC1	<p>Le verrouillage/déverrouillage du hublot principal ne fonctionne pas correctement.</p> <ul style="list-style-type: none">• Éteignez le lave-linge et redémarrez le cycle.• Si le code d'information subsiste, prenez contact avec le service clientèle.

Si un code d'information demeure affiché sur l'écran, contactez un centre de dépannage Samsung local.



Caractéristiques techniques

Tableau des symboles textiles

Les symboles suivants fournissent des conseils d'entretien des vêtements. Les étiquettes d'entretien des vêtements incluent des symboles relatifs au séchage, au blanchiment, au séchage et repassage ou au nettoyage à sec, le cas échéant. L'utilisation de ces symboles garantit la cohérence des informations entre les fabricants de vêtements (articles domestiques ou importés). Suivez les directives figurant sur l'étiquette d'entretien afin d'optimiser la durée de vie de votre linge et d'éviter des problèmes de lavage.

Cycle de lavage

	Normal
	Infroissables/Infroissable/Anti-froissage
	Gentle/Délicat
	Lavage main

Température de l'eau

...	Chaude
..	Tiède
.	Froide

REMARQUE

La plage de températures pour Chaude est 135 °F (57 °C) ou en dessous, de 95 °F (35 °C) ou en dessous pour Tiède, et de 68 °F (20 °C) ou en dessous pour Froide. La température de l'eau de lavage doit être d'au moins 60 °F (16 °C) pour activer les agents nettoyants et obtenir un lavage efficace.

Agent de blanchiment

	Tout type (si nécessaire)
	Agent de blanchiment non chloré (non décolorant) uniquement (si nécessaire)
	Séchage en machine

Normal

	Infroissables/Infroissable/Anti-froissage
	Gentle/Délicat

Instructions spéciales

	Séchage sur corde/en suspension
	Séchage sans essorage
	Séchage à plat

Température

	Élevée
	Moyenne
	Faible
	Toutes températures
	Sans chaleur/À l'air libre

Températures de repassage facile ou vapeur

	Élevée
	Moyenne
	Faible

Symboles d'avertissement pour le lavage

	Ne pas laver
	Ne pas tordre
	Pas de chlorage
	Séchage en machine interdit
	Pas de vapeur (ajoutée au fer à repasser)
	Pas de repassage

Nettoyage à sec autorisé

	Nettoyage à sec autorisé
	Nettoyage à sec interdit
	Séchage sur corde/en suspension
	Séchage sans essorage
	Séchage à plat



Protection de l'environnement

- Cet appareil a été fabriqué à partir de matériaux recyclables. Si vous décidez de vous en débarrasser, veuillez respecter les normes locales en matière de traitement des déchets. Coupez le cordon d'alimentation de façon à ce que l'appareil ne puisse pas être raccordé à une source électrique. Enlevez le couvercle pour que des animaux et des jeunes enfants ne se retrouvent pas piégés à l'intérieur de l'appareil.
- Ne dépassez pas les quantités de lessive préconisées par le fabricant de la lessive.
- N'utilisez de produits détachants et blanchissants avant le cycle de lavage qu'en cas de nécessité.
- Économisez de l'eau et de l'électricité en ne faisant tourner que des charges pleines (la charge exacte dépend du cycle utilisé).

Déclaration de conformité

Cet appareil est conforme à la norme UL2157.

Fiche de caractéristiques techniques

Type		Lave-linge à chargement frontal	
Noms de Modèle		WW25B6900**	
Pression d'eau (psi (kPa))		20 - 116 (137 - 800)	
Poids net (lb (kg))		163 (74)	
Vitesse d'essorage		1400 tr/min	
Puissance de chauffe		900 W	
Consommation d'énergie	Lavage	120 V	200 W
	Lavage et chauffage		1150 W
	Essorage		550 W
	Vidange		80 W



GARANTIE LIMITÉE (ÉTATS-UNIS)

LAVE-LINGE SAMSUNG

GARANTIE LIMITÉE POUR L'ACHETEUR-CONSOMMATEUR INITIAL AVEC PREUVE D'ACHAT

Cet appareil de la marque SAMSUNG, fourni, distribué par SAMSUNG ELECTRONICS AMERICA, INC. (SAMSUNG) et livré neuf, dans son emballage d'origine à l'acheteur initial, est garanti par SAMSUNG contre tout défaut de fabrication relatif aux matériaux et à la qualité d'exécution, pour une période de garantie limitée, commençant à la date d'achat initial, de :

Un (1) an (pièces et main d'œuvre) ;

Trois (3) ans pour les pièces du tambour en acier inoxydable (pièces uniquement) ;

Dix (10) ans Pièce du moteur de lavage à inverseur numérique (Pièce uniquement)

Cette garantie limitée ne s'applique qu'aux appareils achetés et utilisés aux États-Unis qui ont été installés, utilisés et entretenus conformément aux instructions jointes ou fournies avec l'appareil. Pour bénéficier d'une intervention dans le cadre de la présente garantie, l'acheteur doit contacter la société SAMSUNG à l'adresse ou au numéro de téléphone indiqués ci-dessous, afin qu'elle détermine l'origine du problème et une procédure de réparation. Les services de garantie peuvent être pris en charge uniquement par un centre de service agréé SAMSUNG. Lors de la remise d'un appareil défectueux à SAMSUNG ou à un centre de réparation agréé SAMSUNG, l'acheteur est tenu de présenter la facture d'achat datée originale sur demande, à titre de preuve d'achat, pour pouvoir bénéficier d'une intervention dans le cadre de la présente garantie.

SAMSUNG assurera gratuitement une intervention à domicile au sein des États-Unis contigus durant la période de garantie, sous réserve de disponibilité des techniciens agréés SAMSUNG au sein de la zone géographique du client. Si l'intervention à domicile n'est pas possible, SAMSUNG peut, à sa propre discrétion, choisir de prendre à sa charge le transport aller/retour de l'appareil vers un centre de réparation agréé. Si l'appareil se trouve dans une zone où l'intervention par un technicien agréé SAMSUNG n'est pas possible, il se peut que vous deviez prendre en charge des frais de transport ou transporter l'appareil vers un centre de réparation agréé SAMSUNG pour le faire réparer.

Pour bénéficier d'une intervention à domicile, l'appareil doit être situé dans un emplacement accessible à notre personnel.

Durant la période de garantie applicable, un appareil sera réparé, remplacé ou remboursé à hauteur de son prix d'achat, à la seule discrétion de SAMSUNG. Il se peut que SAMSUNG utilise des pièces neuves ou reconditionnées pour réparer un appareil, ou remplace l'appareil par un appareil neuf ou reconditionné. Les pièces et appareils de rechange sont garantis pendant la partie restante de la période de garantie initiale de l'appareil, ou bien durant quatre-vingt-dix (90) jours, selon la période qui est la plus longue. Toutes les pièces et tous les appareils remplacés sont la propriété de SAMSUNG et vous devez les retourner à SAMSUNG.



La présente garantie limitée couvre les vices de fabrication relatifs aux matériaux ou à la qualité d'exécution survenant dans le cadre d'une utilisation domestique normale et non commerciale de cet appareil et ne s'applique pas dans les cas suivants : dommages survenant lors du transport, de la livraison, de l'installation et de toute utilisation non conforme de l'appareil ; dommages causés par une modification ou altération non autorisée de l'appareil ; appareil dont le numéro de série d'origine a été effacé, dégradé, modifié d'une quelconque façon ou rendu difficile à lire ; dommages de nature esthétique notamment les rayures, bosses, éclats et autres dommages infligés à la finition de l'appareil ; dommages causés par une utilisation abusive ou inappropriée, par la prolifération d'insectes nuisibles, un accident, un incendie, une inondation ou d'autres catastrophes naturelles ; dommages causés par l'utilisation d'équipements, de systèmes, de services, de pièces, de fournitures, d'accessoires, d'applications, d'installations, de réparations, de câblages externes ou de connecteurs non fournis ou autorisés par SAMSUNG ; dommages causés par toute surtension, fluctuation ou courant/tension de ligne électrique incorrect(e) ; dommages causés par le non-respect des instructions d'utilisation et d'entretien de l'appareil ; intervention à domicile pour expliquer comment utiliser l'appareil ; et intervention visant à corriger une installation non conforme aux codes électriques ou de plomberie ou correction de l'installation électrique ou de plomberie du domicile (c.-à-d. câblage électrique du domicile, fusibles ou tuyaux d'arrivée d'eau). Le coût des réparations ou du remplacement dans le cadre de ces circonstances faisant l'objet d'une exclusion sera à la charge du client.

Les interventions par un technicien agréé destinées à expliquer les fonctions, la maintenance ou l'installation de l'appareil ne sont pas couvertes par la présente garantie limitée. Veuillez prendre contact avec SAMSUNG au numéro figurant ci-dessous pour obtenir de l'aide sur l'une de ces questions.

EXCLUSION DES GARANTIES IMPLICITES

LES GARANTIES IMPLICITES, Y COMPRIS LES GARANTIES IMPLICITES DE QUALITÉ MARCHANDE OU D'ADÉQUATION À UN USAGE PARTICULIER, SONT LIMITÉES À UN AN OU À LA PLUS COURTE PÉRIODE AUTORISÉE PAR LA LOI. Certains États n'autorisent pas les limitations de durée d'une garantie implicite ; il se peut donc que les limitations ou exclusions spécifiées ci-dessus ne s'appliquent pas à votre cas. La présente garantie vous octroie des droits spécifiques, ainsi que d'autres variant d'un État à un autre.



GARANTIE LIMITÉE (ÉTATS-UNIS)

LIMITE DE RECOURS

VOTRE SEUL RECOURS EXCLUSIF EST UNE RÉPARATION DE L'APPAREIL, UN REMPLACEMENT DE L'APPAREIL OU UN REMBOURSEMENT DU PRIX D'ACHAT, À LA DISCRÉTION DE SAMSUNG, COMME ACCORDÉ DANS LE CADRE DE LA PRÉSENTE GARANTIE LIMITÉE. SAMSUNG NE POURRA ÊTRE TENU RESPONSABLE DES DOMMAGES PARTICULIERS, ACCESSOIRES OU IMMATÉRIELS, NOTAMMENT MAIS SANS POUR AUTANT S'Y LIMITER LES TEMPS DE TRAJET DEPUIS LE LIEU DE TRAVAIL, LES FRAIS D'HÔTEL ET/OU REPAS EN RESTAURANT, LES DÉPENSES DE RÉNOVATION, LES PERTES DE REVENUS OU DE BÉNÉFICES, L'IMPOSSIBILITÉ DE RÉALISER DES ÉCONOMIES OU AUTRES BÉNÉFICES QUELLE QUE SOIT LA THÉORIE JURIDIQUE SUR LAQUELLE LA RÉCLAMATION EST FONDÉE, ET CE MÊME SI SAMSUNG A ÉTÉ AVERTI DE LA POSSIBILITÉ DE TELS DOMMAGES. Certains États n'autorisent pas les exclusions ou limitations relatives aux dommages accessoires ou immatériels ; il se peut donc que les limitations ou exclusions spécifiées ci-dessus ne s'appliquent pas à votre cas. La présente garantie vous octroie des droits spécifiques, ainsi que d'autres variant d'un État à un autre.

SAMSUNG ne garantit pas que l'appareil sera exempt de tout problème ou qu'il fonctionnera sans interruption. Aucune garantie, qu'elle soit donnée par un autre tiers, une autre entreprise ou une autre personne morale, ne pourra être considérée comme un engagement vis-à-vis de SAMSUNG.

Pour bénéficier d'un service d'assistance couvert par votre garantie, contactez SAMSUNG à l'adresse suivante :

Samsung Electronics America, Inc.

85 Challenger Road

Ridgefield Park, NJ 07660

1-800-SAMSUNG (726-7864)

www.samsung.com/us/support



Garantie (CANADA)

LAVE-LINGE SAMSUNG

GARANTIE LIMITÉE À L'ACHETEUR INITIAL

Cet appareil de la marque SAMSUNG, fourni, distribué par SAMSUNG ELECTRONICS CANADA, INC. (SAMSUNG) et livré neuf, s'accompagne d'une garantie de SAMSUNG contre tout vice de fabrication au niveau des pièces et de la main d'œuvre pendant une période limitée de :

Un (1) an (pièces et main d'œuvre) ; Dix (10) ans pièce du moteur de lavage à inverseur numérique (Pièce uniquement)

Cette limite de garantie s'applique à compter de la date d'acquisition et couvre uniquement les produits achetés et utilisés au Canada. Pour bénéficier de réparations dans le cadre de la présente garantie, l'acheteur doit contacter la société SAMSUNG afin qu'elle détermine l'origine du problème et une procédure de réparation. Les services de garantie peuvent être pris en charge uniquement par un centre de service agréé SAMSUNG. Lors de la remise d'un produit défectueux à SAMSUNG ou à un centre de service agréé SAMSUNG, l'acheteur est tenu de présenter le coupon d'achat d'origine à la demande des intéressés à titre de preuve d'achat. SAMSUNG assurera un service de réparation gratuit à domicile pendant la période de garantie sujet à la disponibilité au Canada. Le service à domicile n'est pas disponible pour toutes les zones.

Pour bénéficier du service à domicile, l'appareil doit être situé dans un emplacement accessible à notre personnel. Si ce service n'est pas disponible, SAMSUNG peut choisir de prendre à sa charge le transport aller/retour du produit vers un centre de service agréé.

La société SAMSUNG prendra en charge, à sa convenance, la réparation, le remplacement ou le remboursement du produit tel que stipulé dans les présentes conditions et procédera au remplacement ou au reconditionnement des pièces ou des produits si ces derniers s'avèrent défectueux dans la limite de la période de garantie mentionnée précédemment. Toutes les pièces et tous les produits remplacés deviennent la propriété de SAMSUNG et doivent être retournés à SAMSUNG. Les pièces de rechange et les produits sont couverts pour la période restante de garantie ou quatre-vingt-dix (90) jours, si la période de garantie est inférieure à 90 jours. La garantie limitée couvre les vices de fabrication relatifs aux matériaux et à la qualité d'exécution survenus dans le cadre d'une utilisation normale et non commerciale du produit et ne s'applique pas aux causes suivantes, comprenant, mais ne se limitant pas à : tout dommage survenant au cours de l'expédition, de la livraison et de l'installation ; toute utilisation de l'appareil contraire au but auquel il était destiné ; tout numéro de produit ou de série effacé ; tout dommage du revêtement extérieur ou de l'aspect du produit ; tout dommage causé par un accident, une utilisation non conforme, une négligence, un incendie ou une inondation, la foudre ou une autre catastrophe naturelle ; toute utilisation de produits, d'équipements, de systèmes, d'appareils, de services, de pièces, de fournitures, d'accessoires, d'applications, d'installations, de réparations, de câblages externes ou de connecteurs non fournis ou autorisés par SAMSUNG et susceptibles d'endommager ledit appareil ou de nuire à son fonctionnement ; toute surtension, fluctuation ou tension de ligne électrique incorrecte ; tout réglage effectué par l'acheteur et tout non-respect des consignes d'utilisation, de maintenance et de respect de l'environnement couvertes ou prescrites dans le présent carnet d'entretien ; tout démontage ou toute réinstallation de l'appareil ; tout problème résultant d'une prolifération d'insectes nuisibles. Cette garantie limitée ne couvre pas les problèmes résultant d'un courant, d'une tension ou d'une alimentation électrique incorrects, ainsi que d'ampoules électriques, de fusibles ou de câblage inappropriés. Elle ne couvre pas non plus le coût des appels au service d'assistance pour obtenir des instructions ou la réparation des erreurs d'installation. SAMSUNG ne garantit pas que l'appareil sera exempt de tout problème ou qu'il fonctionnera sans interruption.

SAUF EXCEPTION MENTIONNÉE DANS LE PRÉSENT DOCUMENT, SAMSUNG NE FOURNIT AUCUNE GARANTIE EXPRESSE OU IMPLICITE QUANT À CET APPAREIL, Y COMPRIS, MAIS SANS S'Y LIMITER, LES GARANTIES IMPLICITES DE QUALITÉ MARCHANDE, DE CONTREFAÇON OU D'APTITUDE À UN USAGE PARTICULIER.



Garantie (CANADA)

AUCUNE GARANTIE, QU'ELLE SOIT DONNÉE PAR UN TIERS, UNE ENTREPRISE OU UNE PERSONNE MORALE, NE POURRA ÊTRE CONSIDÉRÉE COMME UN ENGAGEMENT VIS-À-VIS DE SAMSUNG. SAMSUNG NE SERA AUCUNEMENT RESPONSABLE EN CAS DE PERTE DE BÉNÉFICES, DE MANQUE À GAGNER, D'INCAPACITÉ À RÉALISER DES ÉCONOMIES OU TOUT AUTRE AVANTAGE FINANCIER OU D'AUTRES DOMMAGES SPÉCIAUX, ACCESSOIRES OU INDIRECTS RÉSULTANT DE L'UTILISATION OU D'UNE MAUVAISE UTILISATION DE CET APPAREIL OU D'UNE INCAPACITÉ À UTILISER CET APPAREIL, QUELLE QUE SOIT LA BASE JURIDIQUE INVOQUÉE POUR JUSTIFIER L'ASSERTION ET MÊME SI SAMSUNG A ÉTÉ AVISÉ DE L'ÉVENTUALITÉ DE TELS DOMMAGES.

LES INDEMNITÉS FINANCIÈRES EXIGÉES AUPRÈS DE SAMSUNG NE POURRONT EN AUCUN CAS EXCÉDER LE PRIX D'ACHAT DU PRODUIT VENDU PAR SAMSUNG ET À L'ORIGINE DES DOMMAGES INVOQUÉS. SANS LIMITATION AUX DISPOSITIONS SUSDITES, L'ACHETEUR ASSUME TOUS LES RISQUES ET TOUTES LES RESPONSABILITÉS EN CAS DE PERTE, DE DOMMAGES OU DE BLESSURES ÉVENTUELLES INFLIGÉS À L'ACHETEUR ET AUX BIENS DE CELUI-CI ET À TOUTE AUTRE PERSONNE ET AUX BIENS DE CELLE-CI RÉSULTANT DE L'UTILISATION OU DE LA MAUVAISE UTILISATION DE L'APPAREIL OU DE L'INCAPACITÉ À L'UTILISER. CETTE GARANTIE LIMITÉE N'EST VALABLE POUR PERSONNE D'AUTRE QUE L'ACHETEUR INITIAL DU PRODUIT, N'EST PAS TRANSFÉRABLE ET ÉNONCE VOTRE RECOURS EXCLUSIF.

Certaines provinces n'autorisent pas de limitations quant à la durée des garanties implicites ni l'exclusion ou la limitation de dommages accessoires ou indirects ; il se peut par conséquent que les limitations et exclusions énoncées ci-dessus ne s'appliquent pas à votre cas.

La présente garantie vous octroie des droits spécifiques, ainsi que d'autres variant d'une province à une autre.

Pour bénéficier d'un service d'assistance couvert par votre garantie, contactez SAMSUNG à l'adresse suivante :

Samsung Electronics Canada Inc.

2050 Derry Road West,

Mississauga, Ontario L5N 0B9 Canada.

1-800-SAMSUNG (726-7864)

www.samsung.com/ca/support (English)

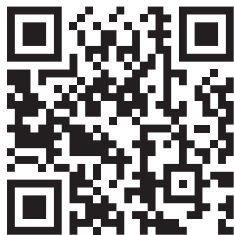
www.samsung.com/ca_fr/support (French)

Les visites des techniciens de maintenance destinées à expliquer les fonctions, la maintenance ou l'installation n'est pas couverte par la garantie.

Veuillez contacter le centre d'appel Samsung pour obtenir de l'aide sur l'un de ces problèmes.







Scan the QR code* or visit
www.samsung.com/spsn
to view our helpful
How-to Videos and Live Shows

*Requires reader to be installed on your smartphone

Scan this with your smartphone

DES QUESTIONS OU DES COMMENTAIRES ?

PAYS	APPELEZ LE	OU RENDEZ-VOUS SUR LE SITE
U.S.A	1-800-SAMSUNG (726-7864) 1-844-SAM-PAYS (726-7297)	www.samsung.com/us/support
CANADA	1-800-SAMSUNG(726-7864) 1-844-SAM-PAYS (726-7297)	www.samsung.com/ca/support (English) www.samsung.com/ca_fr/support (French)



DC68-03645H-00

A black and white artistic photograph of water splashing, creating a dynamic and textured background. The water droplets and bubbles are captured in motion, creating a sense of energy and freshness. The lighting highlights the intricate details of the water's surface.

Lavadora

Manual del usuario

WW25B6900**

SAMSUNG



Contenido

Información sobre seguridad	4
Lo que necesita saber sobre las instrucciones de seguridad	4
Símbolos de seguridad importantes	4
Precauciones de seguridad importantes	5
PROPOSICIÓN 65 DE CALIFORNIA: ADVERTENCIA	5
Advertencias fundamentales para la instalación	6
Precauciones para la instalación	7
Advertencias fundamentales para el uso	7
Precauciones de uso	9
Advertencias fundamentales para la limpieza	12
Normas regulatorias	13
Aviso FCC	13
Aviso IC	14
Anuncio sobre código abierto	15
Instalación	16
Desempaque de la lavadora	16
Componentes	17
Requisitos de instalación	19
Instalación paso a paso	23
Antes de comenzar	29
Configuración inicial	29
Ejecutar la calibración (recomendado)	29
Pautas de lavado	30
Indicaciones sobre el cajón del detergente	32
Funcionamiento	35
Panel de control	35
Funcionamiento de los ciclos	37
Descripción de los ciclos	38
Tabla de ciclos	40
Opciones	42
Ajustes	44
Funciones especiales	46
SmartThings	47



Mantenimiento	48
Limpieza de Tambor+	48
Drenaje de emergencia	49
Limpieza	50
Mantenimiento de cara a un periodo prolongado sin utilizar la lavadora	54
Limpieza del exterior	54
Limpieza del interior	54
Solución de problemas	55
Verificaciones	55
Códigos de información	59
Especificaciones	62
Tabla de indicaciones sobre telas	62
Protección del medio ambiente	63
Declaración de conformidad	63
Hoja de especificaciones	63



Información sobre seguridad

Felicitaciones por la compra de la nueva lavadora Samsung. Este manual contiene información importante acerca de la instalación, el uso y el cuidado del electrodoméstico. Lea detenidamente estas instrucciones a fin de aprovechar al máximo los múltiples beneficios y funciones de la lavadora.

Lo que necesita saber sobre las instrucciones de seguridad

Lea este manual detenidamente para aprender a utilizar con seguridad y eficacia todas las características y funciones de su nuevo electrodoméstico. Conserve el manual en un lugar seguro cerca del electrodoméstico para consultas futuras. Utilice este electrodoméstico solo para el propósito para el que fue destinado como se describe en este manual.

Las advertencias y las instrucciones de seguridad importantes de este manual no cubren todas las posibles condiciones y situaciones que pueden ocurrir. Es su responsabilidad actuar con sentido común, precaución y cuidado cuando instale, realice el mantenimiento y ponga en funcionamiento la lavadora. Puesto que las siguientes instrucciones de funcionamiento sirven para varios modelos, las características de su lavadora pueden diferir ligeramente de las que se describen en este manual y es posible que no todos los signos de advertencia sean aplicables. Si tiene alguna consulta o duda, comuníquese con el centro de servicio más cercano o busque ayuda e información en línea en www.samsung.com.

Símbolos de seguridad importantes

Los íconos y las señales incluidas en este manual del usuario significan lo siguiente:

ADVERTENCIA

Peligros o prácticas inseguras que podrían causar **lesiones físicas graves, la muerte y/o daños materiales.**

PRECAUCIÓN

Peligros o prácticas inseguras que podrían causar **lesiones físicas y/o daños materiales.**

NOTA

Indica que existe el riesgo de lesiones físicas o daños materiales.

Estas señales de advertencia tienen por objeto evitar que usted u otras personas sufran lesiones.

Sígalas completamente.

Después de leer este manual, guárdelo en un lugar seguro para consultas futuras.

Lea todas las instrucciones antes de usar el electrodoméstico.

Al igual que con cualquier equipo que usa electricidad y piezas móviles, existen riesgos potenciales. Para usar este electrodoméstico en forma segura, familiarícese con su funcionamiento y manéjelo con cuidado cuando lo use.

CONSERVE ESTAS INSTRUCCIONES



Precauciones de seguridad importantes

ADVERTENCIA

Para reducir el riesgo de incendio, descarga eléctrica o lesiones físicas cuando usa este electrodoméstico, siga las instrucciones de seguridad básicas que figuran a continuación:

1. Lea todas las instrucciones antes de usar el electrodoméstico.
2. No lave ni seque prendas que se han limpiado, lavado, remojado o salpicado previamente con gasolina, solventes de limpieza en seco u otras sustancias inflamables o explosivas, ya que emiten vapores que pueden encenderse o explotar.
3. No permita que los niños jueguen sobre el electrodoméstico ni dentro de él. Se requiere de supervisión cuando el electrodoméstico es utilizado cerca de los niños.
4. Antes de descartar el electrodoméstico o de trasladarlo para que se le efectúe el servicio técnico, retire la puerta del compartimiento de la lavadora o la secadora.
5. No introduzca la mano en el electrodoméstico si la tina está en movimiento.
6. No instale ni almacene este electrodoméstico donde quede expuesto a los factores climáticos.
7. No modifique los controles.
8. No repare, reemplace ni intente realizar el mantenimiento de ninguna pieza del electrodoméstico salvo que esté recomendado específicamente en las instrucciones de mantenimiento del usuario o en las instrucciones de reparación para el usuario publicadas y que, a su juicio, usted tenga la habilidad para llevarlas a cabo.
9. No agregue gasolina, solventes de limpieza en seco u otras sustancias inflamables o explosivas al agua del lavado. Estas sustancias emiten vapores que pueden encenderse o explotar.
10. En ciertas circunstancias, puede producirse gas hidrógeno en un sistema de agua caliente que no se ha usado durante 2 semanas o más. EL GAS HIDRÓGENO ES EXPLOSIVO. Si el sistema de agua caliente no fue utilizado durante dicho período, antes de usar la lavadora o la lavadora y la secadora combinadas, abra las llaves del agua caliente y deje correr el agua por varios minutos. De esta manera, se eliminará el gas hidrógeno acumulado. Dado que el gas es inflamable, no fume ni use una llama abierta en ese momento.

PROPOSICIÓN 65 DE CALIFORNIA: ADVERTENCIA

ADVERTENCIA

Cáncer y afecciones reproductivas - www.P65Warnings.ca.gov.

CONSERVE ESTAS INSTRUCCIONES



Información sobre seguridad

Advertencias fundamentales para la instalación

ADVERTENCIA

La instalación de este electrodoméstico la debe efectuar un técnico calificado o una empresa de servicios.

- De lo contrario, pueden producirse descargas eléctricas, incendios, explosiones, problemas con el producto o lesiones.

El electrodoméstico es pesado, tenga cuidado cuando lo levante.

Enchufe el cable de alimentación a un tomacorriente de pared que cumpla las especificaciones eléctricas locales. Utilice el tomacorriente solo con este electrodoméstico y no use un cable prolongador.

- Compartir el tomacorriente de pared con otros electrodomésticos, utilizando un multicontacto o prolongando el cable de alimentación, puede provocar una descarga eléctrica o un incendio.
- Asegúrese de que el voltaje, la frecuencia y la corriente son los mismos que los especificados en el producto. De lo contrario, se puede provocar una descarga eléctrica o un incendio.

Retire regularmente todas las sustancias extrañas, como polvo o agua, de los terminales y los puntos de contacto de la alimentación con un paño seco.

- Desenchufe el cable de alimentación y límpielo con un paño seco.
- De lo contrario, se puede provocar una descarga eléctrica o un incendio.

Enchufe el cable de alimentación en un tomacorriente de pared de manera que el cable baje hacia el piso.

- Si enchufa el cable de alimentación en el tomacorriente en la dirección opuesta, los cables eléctricos del interior del cable pueden dañarse y provocar un incendio o una descarga eléctrica.

Mantenga los materiales de empaque fuera del alcance de los niños, ya que son peligrosos para ellos.

- Si un niño mete la cabeza en una bolsa de plástico, se puede asfixiar.

Si el electrodoméstico, el enchufe o el cable de alimentación están dañados, comuníquese con el centro de servicio más cercano.

Este electrodoméstico debe conectarse a tierra correctamente.

La toma de tierra no se debe conectar a una conducción de gas o de agua ni a la línea telefónica.

- Puede provocar una descarga eléctrica, un incendio, una explosión o problemas con el producto.
- Nunca enchufe el cable de alimentación en un tomacorriente que no esté conectado a tierra correctamente. Asegúrese de que el tomacorriente cumpla con las normativas locales y nacionales.

No instale este electrodoméstico cerca de un calefactor o de materiales inflamables.

No instale este electrodoméstico en un lugar húmedo, grasiento o cubierto de polvo, ni lo exponga a la luz directa del sol o al agua (gotas de lluvia).

No instale este electrodoméstico en un lugar donde se registren bajas temperaturas.

- El hielo puede reventar los tubos.

No instale este electrodoméstico en un lugar donde pueda haber fugas de gas.

- Puede provocar una descarga eléctrica o un incendio.

CONSERVE ESTAS INSTRUCCIONES



No utilice un transformador eléctrico.

- Puede provocar una descarga eléctrica o un incendio.

No utilice un cable de alimentación dañado ni un tomacorriente que esté flojo.

- Puede provocar una descarga eléctrica o un incendio.

No jale el cable de alimentación ni lo doble excesivamente.

No tuerza ni ate el cable de alimentación.

No cuelgue el cable de alimentación de un objeto metálico, no coloque objetos pesados sobre él, no inserte el cable de alimentación entre objetos ni lo empuje en un espacio detrás del electrodoméstico.

- Puede provocar una descarga eléctrica o un incendio.

No jale el cable de alimentación para desenchufarlo.

- Para desenchufar el cable de alimentación, jálelo sujetándolo por el enchufe.
- De lo contrario, se puede provocar una descarga eléctrica o un incendio.

El electrodoméstico debe colocarse en una posición en la que el tomacorriente, las llaves de suministro de agua y los tubos de drenaje sean accesibles.

Precauciones para la instalación

PRECAUCIÓN

Este electrodoméstico debe estar ubicado de manera tal que se pueda acceder fácilmente al enchufe.

- De lo contrario, se puede provocar un incendio o una descarga debido a las fugas eléctricas.

Instale el electrodoméstico sobre una superficie sólida y nivelada que pueda soportar su peso.

- De lo contrario, pueden producirse vibraciones anormales, movimientos, ruidos o problemas con el producto.

Advertencias fundamentales para el uso

ADVERTENCIA

Si el electrodoméstico se inunda, corte inmediatamente el suministro de agua y la alimentación y comuníquese con el centro de servicio más cercano.

- No toque el enchufe con las manos mojadas.
- Se puede provocar una descarga eléctrica.

Si el electrodoméstico genera ruidos extraños, olor a quemado o humo, desconéctelo inmediatamente y llame al centro de servicio más cercano.

- De lo contrario, se puede provocar una descarga eléctrica o un incendio.

En caso de fugas de gas (como propano, LP, etc.), ventile inmediatamente sin tocar el enchufe. No toque el electrodoméstico ni el cable de alimentación.

- No utilice un ventilador.

CONSERVE ESTAS INSTRUCCIONES



Información sobre seguridad

- Una chispa puede provocar un incendio o una explosión.

No permita que los niños jueguen sobre la lavadora o dentro de ella. Además, cuando se deshaga del electrodoméstico, quite el cierre de la puerta de la lavadora.

- Los niños pueden asfixiarse y morir si quedan atrapados dentro del producto.

Asegúrese de quitar el empaque (goma espuma, poliestireno) del fondo de la lavadora antes de utilizarla.

No lave prendas contaminadas con gasolina, queroseno, benceno, disolventes de pinturas, alcohol u otras sustancias inflamables o explosivas.

- Puede provocar una descarga eléctrica, un incendio o una explosión.

No abra la puerta de la lavadora por la fuerza mientras esté en funcionamiento (lavado a alta temperatura/ secado/ centrifugado).

- El agua que salga de la lavadora puede causar quemaduras o convertir el suelo en resbaladizo. Puede provocar lesiones.
- Abrir la puerta por la fuerza puede dañar el producto o causar lesiones personales.

No toque el enchufe con las manos mojadas.

- Puede provocar una descarga eléctrica.

No apague el electrodoméstico desenchufándolo mientras esté en funcionamiento.

- Si vuelve a enchufar el electrodoméstico en el tomacorriente puede originar una chispa y causar una descarga eléctrica o un incendio.

No permita que los niños se suban al electrodoméstico.

- Esto puede provocar una descarga eléctrica, quemaduras o lesiones personales.

No introduzca la mano ni objetos de metal bajo la lavadora mientras esté en funcionamiento.

- Puede provocar lesiones.

No desenchufe el electrodoméstico jalando el cable de alimentación. Sujete siempre el enchufe firmemente y extráigalo en línea recta.

- Un cable de alimentación dañado puede provocar un cortocircuito, un incendio o una descarga eléctrica.

No trate de reparar, desensamblar ni modificar el electrodoméstico usted mismo.

- No utilice un fusible (de cobre, cable de acero, etc.) que no sea el estándar.
- Cuando deba reparar o volver a instalar el electrodoméstico, comuníquese con el centro de servicio más cercano.
- De lo contrario, se puede provocar una descarga eléctrica, un incendio, problemas con el producto o lesiones.

Si se afloja la manguera de suministro de agua de la llave de agua y se inunda el electrodoméstico, desenchufe el cable de alimentación.

- De lo contrario, se puede provocar una descarga eléctrica o un incendio.

Desenchufe el electrodoméstico si no lo va a utilizar durante un período prolongado o durante una tormenta eléctrica.

- De lo contrario, se puede provocar una descarga eléctrica o un incendio.

CONSERVE ESTAS INSTRUCCIONES



Si entra alguna sustancia extraña en el electrodoméstico, desenchufe el cable de alimentación y comuníquese con el centro de atención al cliente de Samsung más cercano.

- Puede provocar una descarga eléctrica o un incendio.

No permita que los niños (ni las mascotas) jueguen encima o dentro de la lavadora. La puerta de la lavadora no se abre con facilidad desde el interior, y los niños podrían lastimarse gravemente si quedaran atrapados adentro.

Precauciones de uso

PRECAUCIÓN

Si la lavadora está contaminada por sustancias extrañas, tales como detergente, tierra, restos de alimentos, etc., desenchufe el cable de alimentación y limpie la lavadora con un paño suave humedecido.

- Si no lo hace se puede producir decoloración, deformación, daños u óxido.

El vidrio frontal se puede romper con un impacto fuerte. Sea cuidadoso cuando utilice la lavadora.

- La rotura del vidrio puede causar lesiones.

Tras una falla del suministro de agua o cuando se vuelve a conectar la manguera de suministro, abra lentamente la llave de agua.

Abra lentamente la llave de agua tras un periodo prolongado de falta de uso.

- La presión de aire en la manguera de suministro de agua o en la tubería de agua puede dañar una pieza o provocar fugas de agua.

Si durante el funcionamiento hay una falla en el drenaje, revise el drenaje.

- Si se utiliza la lavadora inundada por una falla en el drenaje, se puede provocar una descarga eléctrica o un incendio.

Introduzca completamente la ropa en la lavadora para que no pueda quedar atrapada por la puerta.

- Si la ropa queda atrapada por la puerta, puede dañarse la ropa o la lavadora, o puede provocar fugas de agua.

Cierre el suministro de agua cuando la lavadora no esté en uso.

- Asegúrese de que los tornillos del conector de la manguera de suministro del agua estén apretados firmemente.

Asegúrese de que la arandela de goma y el vidrio de la puerta frontal no estén contaminados por sustancias extrañas (como restos, hilos, cabellos, etc.).

- Si una sustancia extraña queda atrapada en la puerta o si la puerta no está bien cerrada, se puede producir una fuga de agua.

Antes de utilizar el producto, abra la llave del agua y verifique que los conectores de la manguera de suministro estén bien ajustados y que no haya fugas de agua.

- Si los conectores de la manguera de suministro de agua están flojos, puede haber fugas de agua.

El producto adquirido está diseñado exclusivamente para uso doméstico.

CONSERVE ESTAS INSTRUCCIONES



Información sobre seguridad

El uso del producto con fines comerciales se considera un uso incorrecto del producto. En tal caso el producto no quedará cubierto por la garantía estándar que ofrece Samsung y no se podrá atribuir a Samsung ninguna responsabilidad por el malfuncionamiento o los daños resultantes de este uso incorrecto.

No se pare encima del electrodoméstico ni le coloque encima objetos (como ropa, velas o cigarrillos encendidos, platos, productos químicos, objetos metálicos, etc.).

- Puede provocar una descarga eléctrica, un incendio, problemas con el producto o lesiones.

No rocíe materiales volátiles, como insecticidas, en la superficie del electrodoméstico.

- Además de ser perjudiciales para las personas, también pueden provocar una descarga eléctrica, un incendio o problemas con el producto.

No coloque objetos que generen campos electromagnéticos cerca de la lavadora.

- Puede causar lesiones por un mal funcionamiento.

El agua que se drena durante el lavado a alta temperatura o durante el ciclo de secado está caliente. No toque el agua.

- Puede causar lesiones personales o quemaduras.

No lave, centrifugue ni seque asientos, alfombrillas o prendas impermeables (*) a menos que su electrodoméstico tenga un ciclo especial para lavar estos artículos.

(*): Ropa de cama de lana, fundas de lluvia, chalecos de pesca, pantalones de esquí, bolsas de dormir, cubiertas de pañales, chándales, cubiertas de bicicletas, motos y automóviles, etc.

- No lave alfombrillas gruesas o espesas aunque lleven la marca de lavado en la etiqueta. Se pueden producir lesiones o dañar la lavadora, las paredes, el piso o la ropa debido a las vibraciones anormales.
- No lave alfombras ni felpudos con forro de goma. El forro de goma se puede desprender y adherirse al tambor, lo que puede resultar en un funcionamiento anómalo, por ejemplo una falla en el drenaje.

No haga funcionar la lavadora sin el dosificador de detergente.

- Se puede provocar una descarga eléctrica o lesiones debido a fugas de agua.

No toque el interior del tambor durante o inmediatamente después del secado, ya que está caliente.

- Podrían quemarse.

La puerta se calienta durante el lavado y el secado. Por lo tanto, no toque la puerta de vidrio.

Tampoco permita que los niños jueguen cerca de la lavadora ni que toquen la puerta de vidrio.

- Podrían quemarse.

No introduzca las manos en el cajón del detergente.

- Se puede dañar la mano ya que ésta puede quedar atrapada por el dispositivo de introducción del detergente.
- No utilice detergente en polvo en el compartimiento para detergente líquido (únicamente para los modelos aplicables). Retire el compartimiento y coloque el detergente en polvo directamente en el compartimiento de lavado principal.

No introduzca ningún objeto (como zapatos, restos de comida, animales) que no sea ropa en la lavadora.

- Se puede dañar la lavadora, causar lesiones o la muerte en caso de mascotas por vibraciones anormales.

CONSERVE ESTAS INSTRUCCIONES



No presione los botones con objetos afilados, como alfileres, cuchillos, las uñas, etc.

- Puede provocar una descarga eléctrica o lesiones personales.

No lave ropa contaminada por aceites, cremas o lociones que se utilizan normalmente en los establecimientos para el cuidado de la piel o en las clínicas de masajes.

- Se puede deformar la arandela de goma y provocar fugas de agua.

No deje objetos de metal (tales como clips, horquillas, etc.) ni blanqueador en el tambor durante períodos prolongados.

- Se puede oxidar el tambor.
- Si comienza a aparecer óxido en la superficie del tambor, aplique un agente limpiador (neutro) sobre la superficie y utilice una esponja para limpiarla. Nunca utilice un cepillo de metal.

No utilice detergentes de limpieza en seco directamente ni lave, enjuague ni centrifugue ropa contaminada por detergentes de limpieza en seco.

- Se puede producir una combustión espontánea o un incendio por el calor de la oxidación del aceite.

No utilice agua de los dispositivos de calentamiento o enfriamiento del agua.

- Podría causar problemas en la lavadora.

No utilice jabón natural para lavado a mano en la lavadora.

- Si se endurece y se acumula en el interior de la lavadora, puede causar problemas en el producto, como decoloración, óxido y malos olores.

Coloque medias y brassieres en una red y lávelas junto con otra ropa.

No lave prendas grandes como ropa de cama dentro de una red.

- De no hacerlo se pueden producir lesiones personales por las vibraciones anormales.

No utilice detergente endurecido.

- Si se acumula en el interior de la lavadora, puede provocar fugas de agua.

Asegúrese de que los bolsillos de las prendas que vaya a lavar estén vacíos.

- Los objetos duros o afilados, tales como monedas, clips, clavos, tornillos o piedras pueden causar daños considerables en la lavadora.

No lave ropa que contenga hebillas grandes, botones u otros objetos de metal pesados.

Clasifique las prendas según la solidez del color y seleccione el ciclo, la temperatura del agua y las funciones adicionales recomendadas.

- De lo contrario, se pueden decolorar o dañar las telas.

Al cerrar la puerta tenga cuidado de no atrapar los dedos de los niños.

- Si no lo hace, se pueden provocar lesiones personales.

Para evitar malos olores y moho, deje la puerta abierta después de un ciclo de lavado para permitir que el tambor se seque.

Para evitar la acumulación de cal, deje el dispensador de detergente abierto después de un ciclo de lavado y seque su interior.

CONSERVE ESTAS INSTRUCCIONES



Información sobre seguridad

Advertencias fundamentales para la limpieza

ADVERTENCIA

No limpie el electrodoméstico rociando directamente agua dentro de él.

No utilice un agente limpiador muy ácido.

No utilice benceno, disolventes ni alcohol para limpiar el electrodoméstico.

- Puede provocar decoloración, deformación, daños, incendio o descarga eléctrica.

Antes de la limpieza o las tareas de mantenimiento, desenchufe el electrodoméstico del tomacorriente de la pared.

- De lo contrario, se puede provocar una descarga eléctrica o un incendio.

CONSERVE ESTAS INSTRUCCIONES



Normas regulatorias

Aviso FCC

PRECAUCIÓN

Todos los cambios y modificaciones que no cuenten con la aprobación expresa de la parte responsable del cumplimiento invalidará la autoridad del usuario para operar el equipo.

Este dispositivo cumple con el Apartado 15 de las Normas de la FCC. El funcionamiento se encuentra sujeto a las siguientes dos condiciones:

1. Este electrodoméstico no puede causar interferencia dañina, y
2. Este electrodoméstico debe aceptar la recepción de cualquier interferencia, incluidas aquellas que puedan causar un funcionamiento indeseado.

En los productos vendidos en los mercados de Estados Unidos y Canadá, solo están disponibles los canales 1–11. No es posible seleccionar otros canales.

DECLARACIÓN DE LA FCC:

Este equipo ha sido sometido a pruebas y se ha determinado que se encuentra dentro de los límites para los dispositivos digitales clase B, de acuerdo con el apartado 15 de las Normas de la FCC. Dichos límites han sido diseñados para proporcionar una protección razonable contra la interferencia dañina en una instalación residencial.

Este equipo genera, utiliza y puede irradiar energía de frecuencias de radio y, si no se lo instala y utiliza de acuerdo con las instrucciones, puede provocar interferencia dañina a las comunicaciones de radio. Sin embargo, no existe garantía alguna de que no habrá interferencia en una instalación determinada. Si el equipo provoca interferencia dañina a la recepción de radio o televisión, que puede determinarse al encender y apagar el equipo, se sugiere que el usuario trate de corregir la interferencia mediante una o más de las siguientes medidas:

- Reorientar o reubicar la antena receptora.
- Aumentar la distancia entre el equipo y el receptor.
- Conectar el equipo a un tomacorriente que esté en un circuito diferente al de la radio o el televisor.
- Consultar al distribuidor o a un técnico experimentado en radio/TV para obtener ayuda.

DECLARACIÓN DE LA FCC SOBRE LA EXPOSICIÓN A LA RADIACIÓN:

Este equipo cumple con los límites de exposición a la radiación establecidos por la FCC para un entorno no controlado.

Este equipo debe instalarse y utilizarse con una distancia mínima de 8 pulgadas (20 cm) entre el radiador y su cuerpo. Este electrodoméstico y su/s antena/s no deben ubicarse ni utilizarse junto con ninguna otra antena o transmisor.

CONSERVE ESTAS INSTRUCCIONES



Normas regulatorias

Aviso IC

El término "IC" antes del número de certificación de radio significa únicamente que se han cumplido las especificaciones técnicas del Ministerio de Industria del Canadá. El funcionamiento se encuentra sujeto a las siguientes dos condiciones:

1. Este electrodoméstico no puede causar interferencia, y
2. Este electrodoméstico debe aceptar cualquier interferencia, incluidas aquellas que puedan causar un funcionamiento indeseado del dispositivo.

Este aparato digital Clase B cumple con la norma canadiense ICES-003.

Cet appareil numérique de la classe B est conforme à la norme NMB-003 du Canada.

En los productos vendidos en los mercados de Estados Unidos y Canadá, solo están disponibles los canales 1-11. No es posible seleccionar otros canales.

DECLARACIÓN DE LA IC SOBRE LA EXPOSICIÓN A LA RADIACIÓN:

Este equipo cumple con los límites de exposición a la radiación RSS-102 establecidos por la IC para un entorno no controlado. Este equipo debe instalarse y utilizarse con una distancia mínima de 8 pulgadas (20 cm) entre el radiador y su cuerpo. Este electrodoméstico y su/s antena/s no deben ubicarse ni utilizarse junto con ninguna otra antena o transmisor.



CONSERVE ESTAS INSTRUCCIONES



Anuncio sobre código abierto

El software incluido en este producto contiene software de código abierto. Puede obtener el correspondiente código fuente completo por un período de tres años a partir del último envío de este producto comunicándose con nuestro servicio de atención a través de la página <http://opensource.samsung.com> (Por favor, utilice el menú de "Consultas").

Asimismo es posible obtener el correspondiente código abierto completo en un soporte físico como un CD-ROM; se le cobrará una tasa mínima.

La siguiente URL http://opensource.samsung.com/opensource/SMART_AT_051/seq/0 lleva a la información de licencia del código abierto relacionada con este producto. Esta oferta es válida para quienes reciban esta información.



NOTA

Por la presente, Samsung Electronics declara que el artefacto del tipo de equipo radioeléctrico se ajusta a lo dispuesto en la Directiva 2014/53/EU. El texto completo de la declaración de conformidad de la UE está disponible en la siguiente dirección de internet: La declaración oficial de conformidad puede encontrarse en <http://www.samsung.com>, vaya a Soporte > busque Conoce tu producto e ingrese el nombre del modelo.

Potencia máxima de transmisor Wi-Fi: 20 dBm a 2.412 GHz – 2.472 GHz

CONSERVE ESTAS INSTRUCCIONES



Instalación

Siga detenidamente estas instrucciones para asegurar una adecuada instalación de la lavadora y evitar accidentes al lavar la ropa.

⚠️ ADVERTENCIA

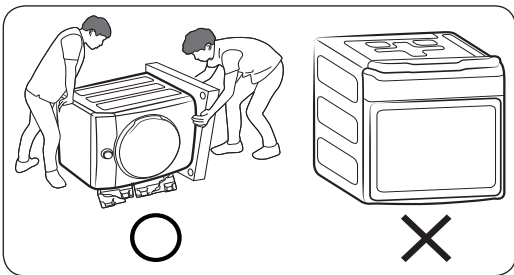
Algunas piezas internas no están conectadas a tierra intencionalmente y pueden presentar un riesgo de descarga eléctrica solo durante el servicio técnico. Personal del servicio técnico - No toque las siguientes piezas mientras el electrodoméstico está recibiendo electricidad: Panel de control, disipador térmico, motor, válvula de entrada y bomba.

Desempaquete de la lavadora

Desempaquete la lavadora e inspecciónela para controlar que no se hayan producido daños durante el transporte. Asegúrese de haber recibido todos los elementos que se muestran a continuación. Si la lavadora sufrió daños durante el transporte, o si falta algún elemento, llame al 1-800-SAMSUNG (1-800-726-7864). Para evitar lesiones físicas o distensiones musculares, use guantes protectores cada vez que levante o transporte la unidad.

⚠️ ADVERTENCIA

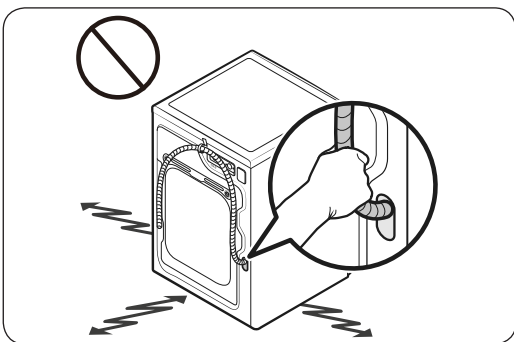
Los materiales de empaque pueden ser peligrosos para los niños. Mantenga todos los materiales de empaque (bolsas de plástico, poliestireno, etc.) fuera del alcance de los niños.



⚠️ PRECAUCIÓN

Se necesitan 2 personas para desempaquetar la lavadora como mínimo. No incline la lavadora hacia adelante al retirar la protección de la parte inferior de los materiales de empaque.

Cuando recline la lavadora para retirar la base de cartón, proteja el lateral y dépositela con cuidado. Nunca apoye la lavadora sobre la parte frontal ni posterior.



⚠️ PRECAUCIÓN

No sujete ni jale la manguera de drenaje para arrastrar y mover el producto.

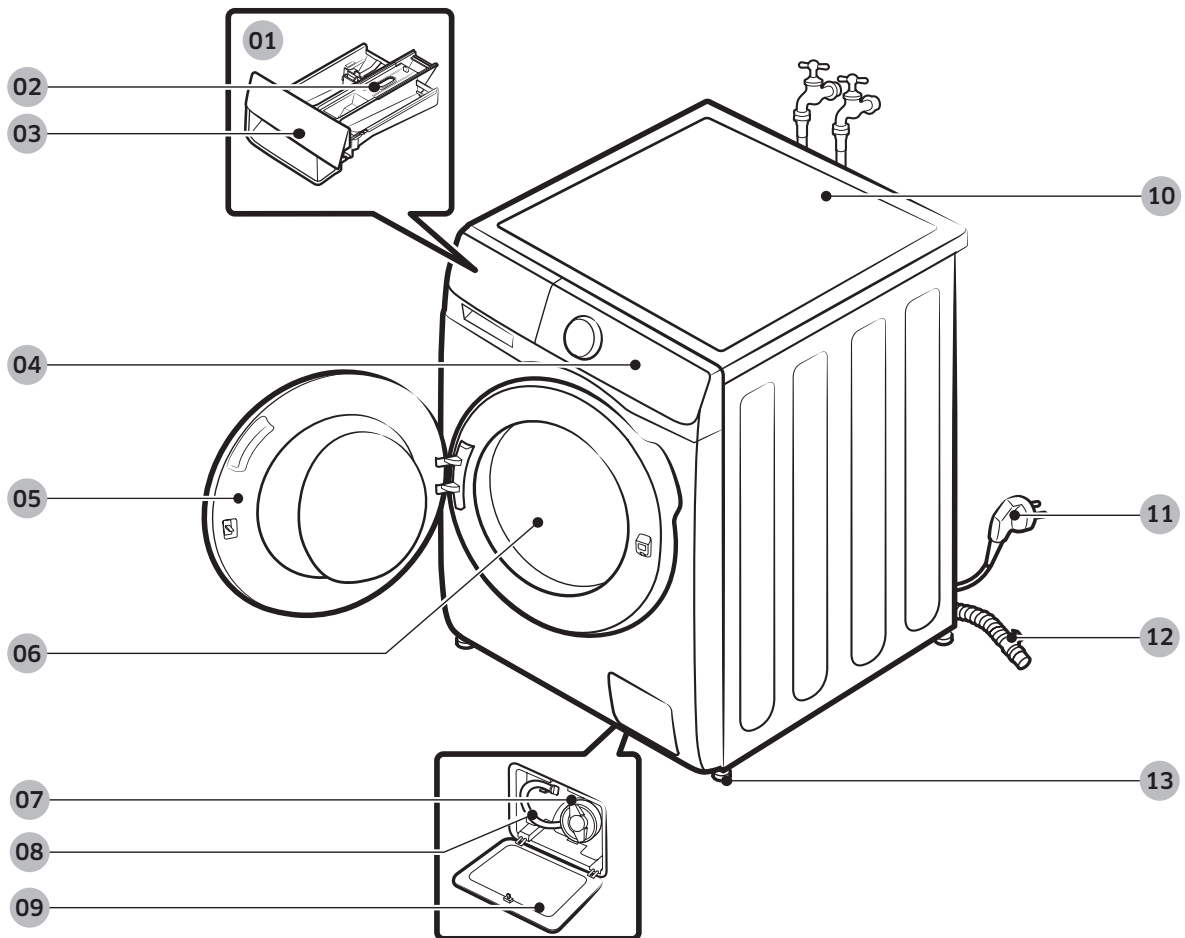


Componentes

Asegúrese de que todos los componentes estén incluidos en el paquete. Si tiene algún problema con la lavadora o las piezas, comuníquese con un centro de atención al cliente de Samsung o con el vendedor.

NOTA

El aspecto del producto real puede diferir del de la ilustración.



01 Dosificador manual	02 Palanca de seguridad	03 Cajón para detergente
04 Panel de control	05 Puerta	06 Tambor
07 Filtro de la bomba	08 Tubo de drenaje de emergencia	09 Cubierta del filtro
10 Encimera	11 Enchufe	12 Manguera de drenaje
13 Patas niveladoras		

Instalación



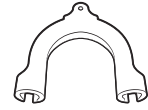
Llave inglesa



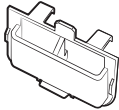
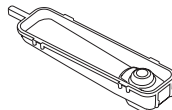
Tapas para tornillos



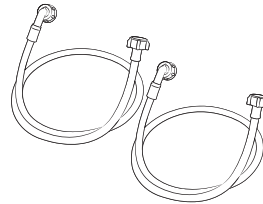
Fijador del tapón



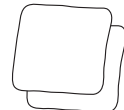
Guía de la manguera

Contenedor para
detergente líquido

Cajón del blanqueador



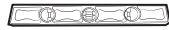
Mangueras de agua

Almohadillas
antideslizantes

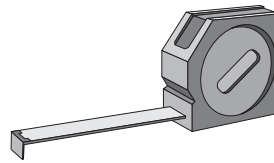
Herramientas necesarias para la instalación



Destornillador Philips



Nivelador



Cinta de medir



Alicate ajustable

NOTA

- Llave inglesa: Para retirar los tornillos de transporte y nivelar la lavadora.
- Tapas para tornillos: Para tapar los orificios tras retirar los tornillos de transporte. El número de tapones de tornillos (3 a 6) depende del modelo.
- Guía de la manguera: Para sujetar la manguera de desagüe en el tubo de desagüe o en el lavamanos.
- Manguera de agua caliente o fría: Para suministrar agua a la lavadora. (Manguera de agua caliente solo para modelos aplicables)
- Contenedor para detergente líquido: Introdúzcalo en el dispensador de detergente para usar detergente líquido.
- El aspecto de la lavadora y los accesorios provistos puede diferir dependiendo del modelo.

PRECAUCIÓN

- No vuelva a utilizar las mangueras viejas, ya que pueden tener fugas o se pueden reventar y provocar inundaciones o daños materiales.
- Asegúrese de que las arandelas de goma estén insertadas en cada junta de la manguera.

Requisitos de instalación

Suministro eléctrico y conexión a tierra

- Se requiere un fusible o interruptor de 120 V CA / 60 Hz / 15 AMP.
- Utilice un circuito de derivación individual que se utilice solo con la lavadora.

Para asegurar una conexión a tierra adecuada, la lavadora está equipada con un cable de alimentación que cuenta con un enchufe de tres pines con conexión a tierra para utilizar en un tomacorriente con conexión a tierra correctamente instalado.

Si tiene dudas sobre la correcta conexión a tierra, consulte con un electricista o un técnico de servicio acreditados.

No modifique el enchufe provisto. Si no entra en el tomacorriente, solicite a un electricista calificado que instale el tomacorriente apropiado.

ADVERTENCIA

- NO utilice un cable prolongador.
- Utilice únicamente el cable de alimentación que viene con la lavadora.
- NO conecte el cable a tierra a las tuberías de plástico, las tuberías de gas o a las cañerías de agua caliente.
- La conexión no adecuada de los conductores de descarga a tierra puede generar una descarga eléctrica.
- Para evitar el riesgo innecesario de incendio, descarga eléctrica o lesiones físicas, todo el cableado y la conexión a tierra deben realizarse de conformidad con los códigos locales o, en ausencia de ellos, de conformidad con el Código Eléctrico Nacional, ANSI/NFPA Nro. 70, su última revisión (para EE.UU.) o el Código Eléctrico Canadiense CSA C22.1, sus últimas revisiones y los códigos y ordenanzas locales. Es su responsabilidad proveer el servicio eléctrico adecuado para su lavadora.

Suministro de agua

La presión de agua adecuada para esta lavadora es de 20-116 psi (137-800 kPa). Una presión de agua inferior a 20 psi (137 kPa) puede impedir que la válvula de agua se cierre completamente. También puede hacer que la tina demore demasiado en llenarse y se apague la lavadora. Las llaves del agua deben estar colocadas dentro de los 4 pies (122 cm) de la parte posterior de la lavadora para que las mangueras de entrada provistas puedan llegar a la lavadora.

Para reducir el riesgo de fugas:

- Asegúrese de que las llaves de agua se encuentren en una posición accesible.
- Cierre las llaves cuando la lavadora no esté en uso.
- Revise periódicamente que no haya pérdidas de agua en los accesorios de la manguera de entrada de agua.

PRECAUCIÓN

Antes de utilizar la lavadora por primera vez, controle que todas las conexiones de la válvula y de la llave del agua no presenten pérdidas.

Drenaje

Samsung recomienda una toma de agua de 18 pulgadas (46 cm) de altura. La manguera de drenaje debe conectarse a la toma de agua a través del gancho, y la toma de agua debe cubrir totalmente la manguera de drenaje.



Instalación

Piso

Para un mejor desempeño, la lavadora debe estar instalada sobre un piso sólido. Posiblemente los pisos de madera necesiten reforzarse para minimizar la vibración y/o el desequilibrio de la carga. Las superficies alfombradas o con revestimiento sintético no ofrecen una buena resistencia a las vibraciones y pueden causar que la lavadora se desplace levemente durante el ciclo de centrifugado.

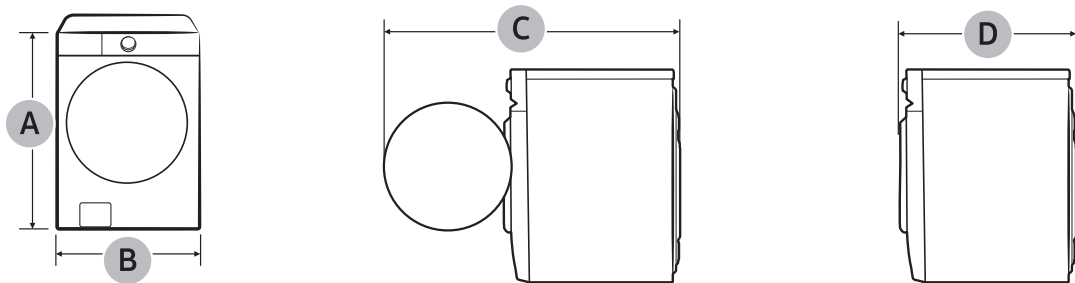
⚠ PRECAUCIÓN

NO instale la lavadora sobre una plataforma o sobre una estructura con soportes poco resistentes.

Temperatura del agua

No instale la lavadora en áreas donde el agua se congele, dado que la lavadora siempre retiene algo de agua en las válvulas de agua, la bomba y las mangueras. El agua congelada que queda en las piezas de conexión puede producir daños a las correas, la bomba y demás componentes de la lavadora.

Dimensiones



A. Altura total	33.5 pulg.(850 mm)
B. Ancho	23.6 pulg.(600 mm)
C. Profundidad con la puerta abierta	44.1 pulg.(1120 mm)
D. Profundidad	26.8 pulg.(680 mm)



Requisito de espacio libre

Este requisito de espacio libre solo se aplica a las lavadoras.

NOTA

- Para el requisito de espacio libre para secadoras, consulte el manual del usuario de la secadora.
- En caso de que la lavadora y la secadora tengan distintos requisitos de espacio libre, utilice el valor mayor.

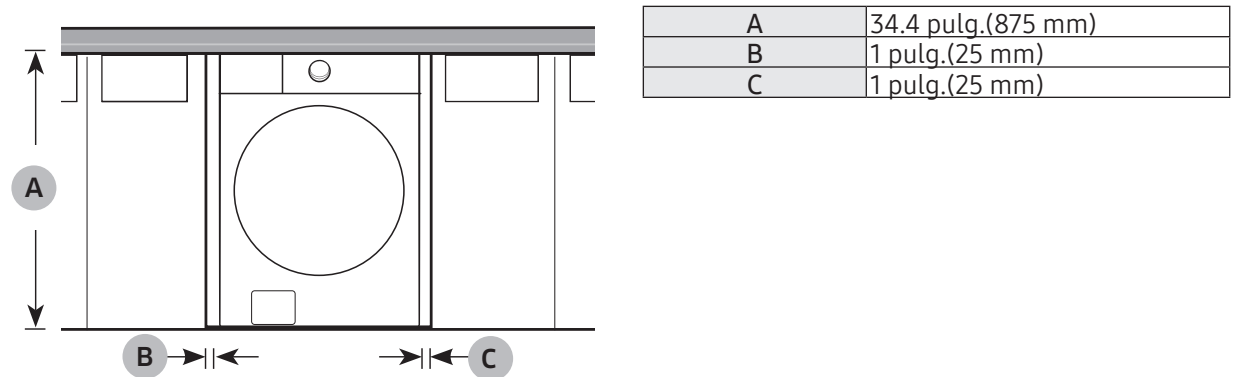
Instalaciones del electrodoméstico en un gabinete o en un hueco

Espacio libre mínimo para un funcionamiento estable:

Laterales	Arriba	Posterior	Frente
1 pulg.(25 mm)	1 pulg.(25 mm)	2 pulg.(50 mm)	1 pulg.(25 mm)

Si se instalan una lavadora y una secadora en la misma ubicación, el frente del gabinete o hueco debe tener dos aberturas de aire sin obstrucciones que combinadas sean de al menos 72 pulg² (465 cm²).

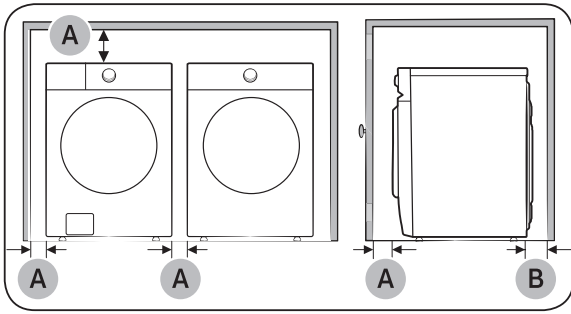
Instalación debajo de mostrador





Instalación

Este requisito de espacio libre se aplica para la instalación de la lavadora y la secadora juntas.



Instalación paso a paso

A	1 pulg.(25 mm)
B	2 pulg.(50 mm) * Este requisito de espacio libre solo se aplica a la lavadora. Para el requisito de espacio libre para secadoras, consulte el manual del usuario de la secadora.
C	2 pulg.(50 mm)
D	6 pulg.(152 mm)
E	67 pulg.(1702 mm)

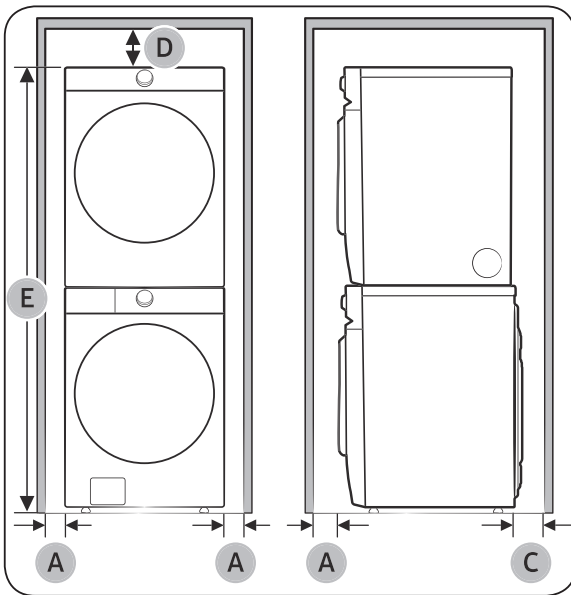
NOTA

Si instala una secadora nueva al lado de la lavadora que ha estado usando, es posible que la secadora sobresalga más que la lavadora.

ADVERTENCIA

- La lavadora y la secadora Samsung pueden apilarse para maximizar el espacio utilizable.
- Deben retirarse las patas de la secadora para apilar la lavadora y la secadora. Puede adquirir un kit de apilamiento opcional en su comercio minorista de productos Samsung.

Instalación apilada (Modelo: SK-DH)



Instalación apilada



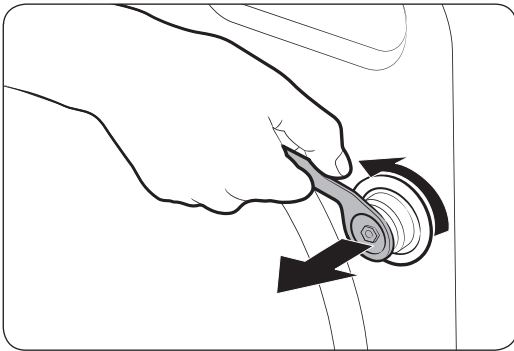
Instalación paso a paso

PASO 1 Seleccionar una ubicación

Requisitos de la ubicación:

- Una superficie sólida y nivelada sin alfombras ni revestimientos para pisos que puedan obstruir la ventilación
- No expuesta a la luz directa del sol
- Espacio suficiente para la ventilación y el cableado
- La temperatura ambiente debe ser siempre superior al punto de congelación (32 °F/0 °C)
- Alejada de fuentes de calor

PASO 2 Retirar los tornillos de transporte

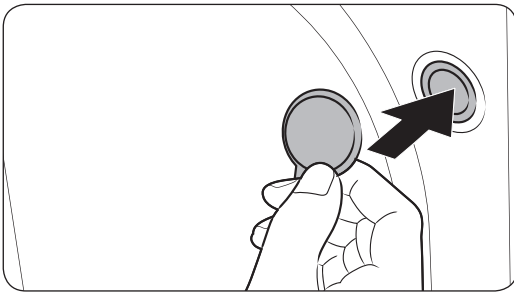


Desempaque el producto y retire todos los tornillos de transporte.

1. Afloje todos los tornillos de transporte de la parte posterior de la máquina con la llave.

NOTA

Use el extremo cerrado de la llave inglesa provista para retirar los tornillos de transporte.



2. Cubra los orificios con las tapas de plástico para tornillos provistas. Conserve los tornillos de transporte en caso de que los necesite en el futuro.

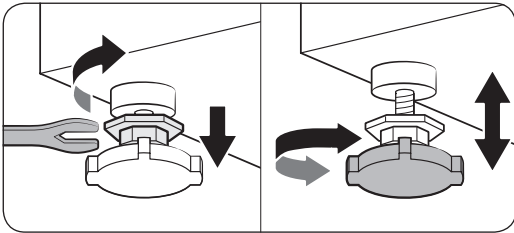
ADVERTENCIA

- Los tornillos de transporte fijan el tambor durante el traslado del producto y reducen el riesgo de daño de la suspensión. Quite los tornillos de transporte antes de utilizar el producto y solo vuelva a colocarlos si debe trasladarlo.
- Los materiales de empaque pueden ser peligrosos para los niños. Deseche todos los materiales de empaque (bolsas de plástico, poliestireno, etc.) lejos del alcance de los niños.

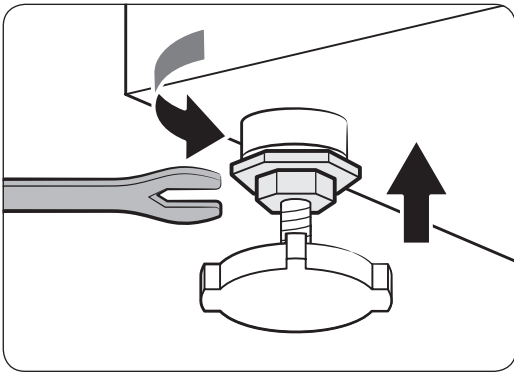
Instalación

Español

PASO 3 Ajustar las patas niveladoras



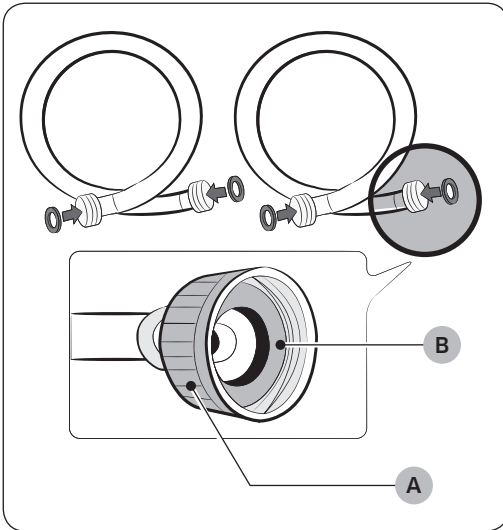
1. Deslice suavemente la lavadora hasta dejarla en su lugar. Una fuerza excesiva puede dañar las patas niveladoras.
2. Nivele la lavadora haciendo girar las patas niveladoras hacia adentro o hacia fuera en forma manual, según sea necesario.
3. Una vez que la lavadora se encuentre nivelada, ajuste las tuercas usando la llave suministrada con la lavadora.



PRECAUCIÓN

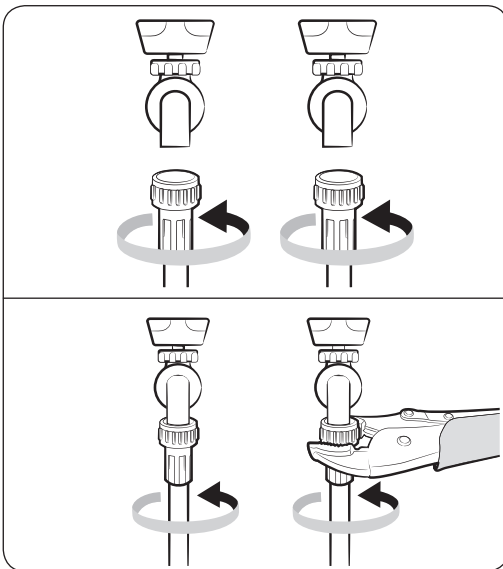
Asegúrese de que todas las patas niveladoras se encuentran sobre la superficie para evitar que la lavadora se mueva o haga ruido debido a la vibración. Después, compruebe que la lavadora no se balancea. Si la lavadora se balancea, apriete las tuercas.

PASO 4 Conectar la manguera de suministro de agua



⚠ PRECAUCIÓN

- Asegúrese de usar mangueras de agua nuevas, y de que las **juntas de goma (B)** estén dentro de los **acoplamientos (A)** en ambos extremos de las mangueras. Una manguera sin una junta puede causar que haya fuga de agua.
- Si hay una fuga de agua, deje de utilizar la lavadora y comuníquese con un centro de servicio local de Samsung. Esto puede provocar descargas eléctricas.
- No estire a la fuerza las mangueras de agua. Si la manguera es demasiado corta, reemplácela por otra más larga de alta presión.
- Para evitar fugas, asegúrese de que ambas mangueras no estén dobladas o torcidas. Una fuga de agua puede provocar una descarga eléctrica.

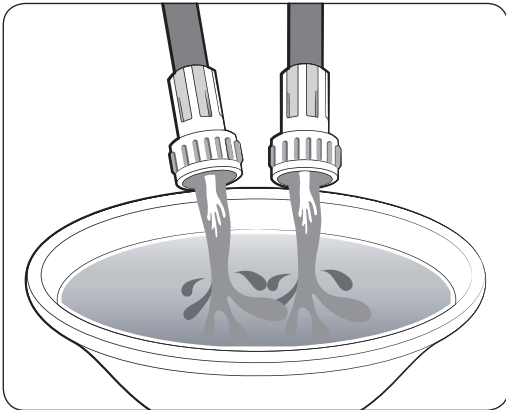


1. Coloque las mangueras de agua a las entradas de agua fría y caliente y ajústelas con la mano hasta que estén bien apretadas. Luego, utilice pinzas para ajustar los conectores dos tercios adicionales. No ajuste los conectores de más para evitar dañarlos.
2. Jale las mangueras de agua para verificar que estén bien conectadas.

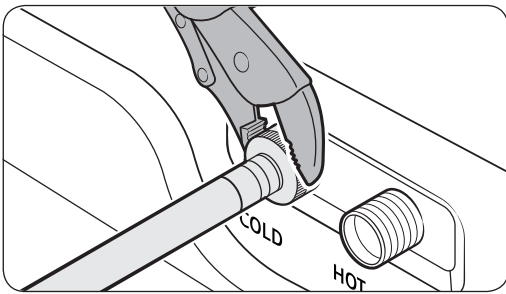


Instalación

Español



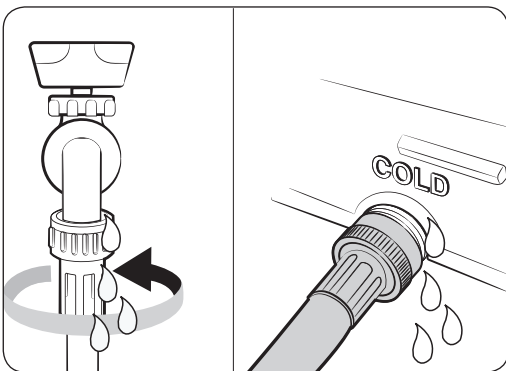
3. Coloque los otros extremos de las mangueras en una cubeta y abra las llaves de agua durante 10 a 15 segundos para eliminar las impurezas. Cuando haya terminado, cierre las llaves del agua.



4. Coloque las mangueras de agua a las entradas de agua fría y caliente en la parte trasera de la lavadora y ajústelas con la mano hasta que estén bien apretadas. Luego, utilice pinzas para ajustar los conectores dos tercios adicionales.

NOTA

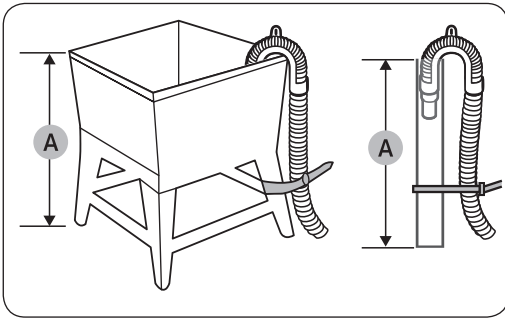
Si no desea usar la manguera de suministro de agua caliente, inserte el tapón de la entrada de agua en la entrada de suministro del agua caliente. Cuando realice el lavado, presione **Temp. (Temperatura)** para seleccionar Fría.



5. Abra las llaves de agua y verifique que no haya pérdidas.



PASO 5 Conectar la manguera de drenaje



A un tambor de lavado o a una cañería de drenaje

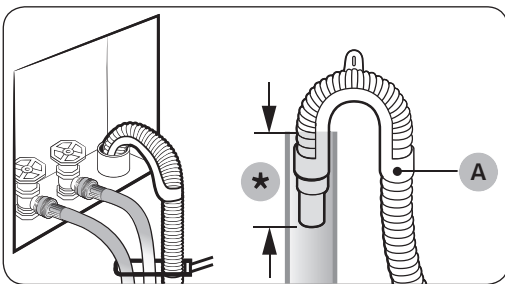
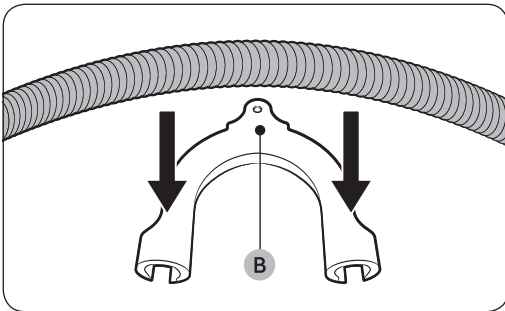
1. Verifique la **altura (A)** de su sistema de drenaje y asegúrese de que se cumplan las alturas mínimas y máximas.

Mínimo	18 pulg.(46 cm)
Máximo	96 pulg.(245 cm)

NOTA

- Asegúrese de medir la altura desde el piso donde se apoya la lavadora.
- Es posible que la eficacia del drenaje sea menor si el sistema está a la altura máxima.
- Para evitar el trasvase de agua de la lavadora, no utilice un sistema de drenaje cuya altura sea inferior a la mínima indicada.

2. Coloque la manguera de drenaje en la **guía para manguera de plástico (B)**.



(*): Mín. 6 pulg.(152 mm), Máx.8 pulg.(203 mm)

3. Direcione la manguera de drenaje hacia el sistema de drenaje.

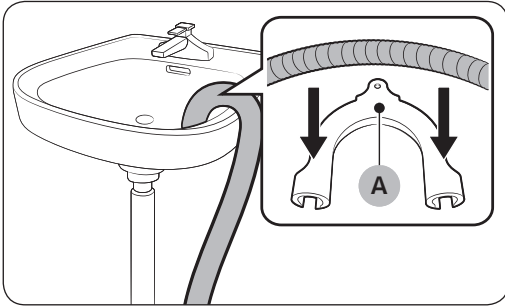
PRECAUCIÓN

- En caso de utilizar una toma de agua, asegúrese de que la conexión de la toma de agua y la manguera de drenaje no esté hermetizada.
 - Si utiliza una toma de agua, asegúrese de que la manguera de drenaje esté entre 6 pulgadas (152 mm) y 8 pulgadas (203 mm) dentro de la toma de agua.
4. Fije la manguera de drenaje con uniones de cable.



Instalación


Español



Sobre el borde de un lavamanos

La manguera de drenaje debe colocarse a una altura entre 24 pulgadas (60 cm) y 35 pulgadas (90 cm) del piso. Para mantener doblado el extremo de salida de la manguera, utilice la **guía de plástico suministrada (A)**. Fije la guía a la pared con un gancho para asegurar la estabilidad durante el drenaje.

PASO 6 Encendido

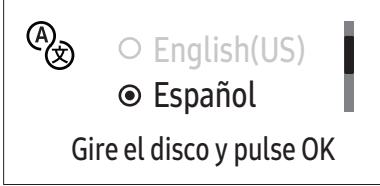
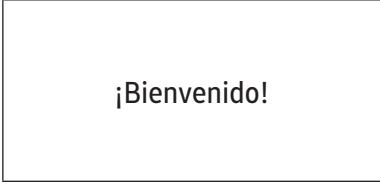
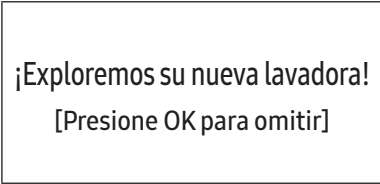
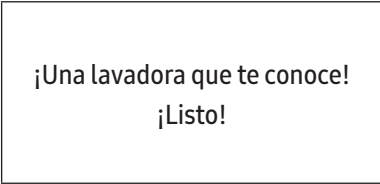
Enchufe el cable de alimentación en un tomacorriente de valor nominal adecuado, conectado a tierra y protegido por un fusible o disyuntor. A continuación, presione  para encender la lavadora.



Antes de comenzar

Configuración inicial

- Al encender la lavadora por primera vez, la pantalla muestra el proceso de configuración inicial. Siga las instrucciones en pantalla para completarlo.
- La configuración inicial no se repetirá después de finalizada.
- El ajuste inicial incluye la selección del idioma, la calibración y un breve tutorial.
- Presione **OK (ACEPTAR)** o gire la **perilla de navegación** para pasar a la siguiente pantalla.

01 Selección del idioma	02 Pantalla de bienvenida
	
03 Tutorial	
	

Ejecutar la calibración (recomendado)

- El ajuste inicial incluye el proceso de calibración que tiene lugar después de la selección del idioma. Debe proceder a la calibración antes de usar la lavadora.
- Vacíe el tambor, después mantenga presionado ▷|| para iniciar la calibración.
- Cuando se haya completado la calibración, la lavadora se apagará y encenderá automáticamente.
- Si desea volver a calibrar la lavadora, mantenga presionado ⏏ durante 3 segundos para entrar en la función del sistema y seleccione **Calibración**.



Antes de comenzar

Pautas de lavado

PASO 1 Clasificar

Clasifique las prendas de acuerdo con los siguientes criterios:

- Etiqueta de indicaciones: Clasifique la ropa según su composición: algodón, mezclas, sintética, seda, lana y rayón.
- Color: Separe la ropa blanca de la de color.
- Tamaño: Mezclar prendas de distintos tamaños en el tambor mejora el desempeño del lavado.
- Sensibilidad: Lave las prendas delicadas por separado, utilizando una opción de Fácil de Planchar para las prendas nuevas de pura lana, cortinas y prendas de seda. Consulte las etiquetas de las prendas.



NOTA

Antes de iniciar el lavado, lea las etiquetas de cuidado de la ropa y clasifique los artículos en consecuencia.

PASO 2 Vaciar los bolsillos

Vacíe los bolsillos de todas las prendas

- Los objetos metálicos como monedas, clips y hebillas pueden dañar las otras prendas y el tambor.

Dé vuelta las prendas con botones o bordados

- Si los cierres de los pantalones o las chaquetas están abiertos durante el lavado, el tambor puede dañarse. Los cierres deben cerrarse y ajustarse con un cordón.
- Las prendas con cordones largos pueden enredarse con otras prendas. Asegúrese de sujetar los cordones antes de comenzar el lavado.

PASO 3 Utilizar una red para ropa

- Los sostenes (lavables con agua) se deben colocar dentro de una red para ropa. Las partes metálicas de las brassieres pueden atravesar la tela y dañar otras prendas.
- Las prendas pequeñas y livianas como las medias, los guantes, las medias de nylon y los pañuelos pueden trabarse en la puerta. Colóquelas dentro de una red para ropa.
- No lave la red sin ropa dentro de ella. Se podrían producir vibraciones anormales que podrían desplazar la lavadora y causar lesiones personales.

PASO 4 Prelavado (si es necesario)

Seleccione la opción de Prelavado para el ciclo seleccionado si la ropa está muy sucia.

No use la opción de Prelavado cuando se agrega detergente manualmente en el tambor.

PASO 5 Calcular la capacidad de carga

No sobrecargue la lavadora. Si sobrecarga la lavadora, la ropa puede no lavarse correctamente.



NOTA

Cuando se lave ropa de cama o cobertores, el tiempo de lavado se puede alargar o la eficacia del centrifugado puede reducirse.

Para ropa de cama o cobertores, el nivel máximo de centrifugado recomendado es el Nivel 2 o Nivel 3 y la capacidad de carga es de 7 lb (3.0 kg) o menos.



⚠ PRECAUCIÓN

- La ropa para lavar desbalanceada puede reducir la eficiencia del centrifugado.
- Asegúrese de que todas las prendas están dentro del tambor y no quedan atrapadas en la puerta.
- No cierre la puerta de golpe. Cierre la puerta con cuidado. De lo contrario, puede quedar mal cerrada.

PASO 6 Agregar el tipo de detergente adecuado

El tipo de detergente que utilice (para uso general, específico para lana, etc.) depende del tipo de tejido (algodón, sintético, prendas delicadas, lana), color, temperatura de lavado y el grado de suciedad. Independientemente del tipo específico de detergente que utilice, siempre detergente de alta eficacia (HE) y "baja espuma", diseñado para las lavadoras automáticas.

📖 NOTA

- Siga las recomendaciones del fabricante del detergente en función del peso de la ropa, el grado de suciedad y la dureza del agua en su zona. Si desconoce la dureza del agua de su zona, comuníquese con las autoridades locales.
- No utilice un detergente que tenga tendencia a endurecerse o solidificarse. Este detergente puede permanecer durante el ciclo de enjuague y bloquear la salida de drenaje.

⚠ PRECAUCIÓN

Cuando lave prendas de lana con el ciclo LANA, utilice exclusivamente un detergente líquido neutro. El detergente en polvo utilizado con el ciclo LANA puede permanecer sobre las prendas y decolorarlas.

Utilice solo detergente de alta eficacia (HE)

Para obtener un lavado de óptima calidad, use un detergente de alta eficacia, por ejemplo: Tide HE, Wisk HE, Cheer HE o Gain HE*. Los detergentes de alta eficacia contienen supresores que reducen o eliminan la espuma. Cuando se produce menos espuma, la carga se mueve con mayor eficacia y el lavado se maximiza. (* Los nombres de las marcas son marcas comerciales de sus respectivos fabricantes.)

⚠ ADVERTENCIA

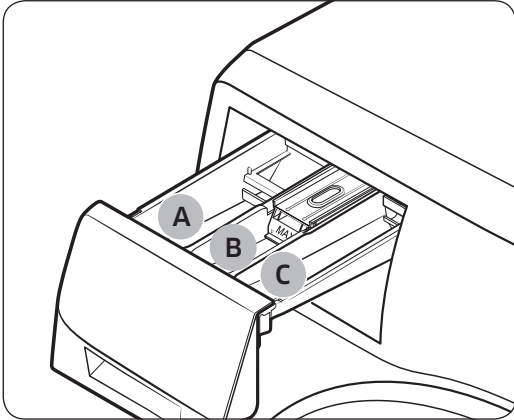
Para obtener mejores resultados, use únicamente detergentes de alta eficacia (HE). No utilice detergente de baja eficacia, detergente orgánico, detergente natural o detergentes de alta eficacia con ingredientes naturales (como vinagre o bicarbonato).



Antes de comenzar

Indicaciones sobre el cajón del detergente

Los modelos con dosificador manual cuentan con tres compartimentos: el izquierdo para el lavado principal, el central para el suavizante y el derecho para blanqueador líquido con cloro.



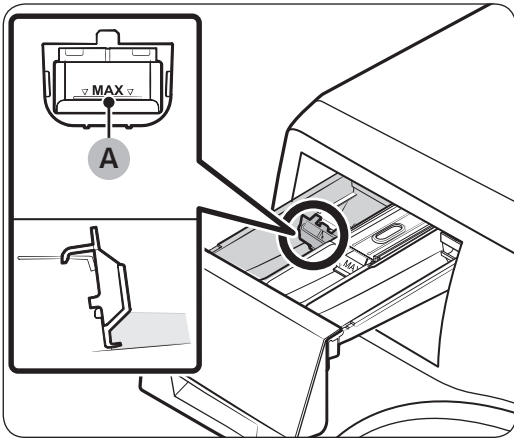
- A. Compartimiento para el lavado principal:** Agregue detergente para lavado principal, ablandador de agua, detergente para remojo, protector para ropa de color y/o productos quitamanchas.
- B. Compartimiento para el suavizante:** Agregue suavizante de telas.
No sobrepase la línea máxima .
- C. Compartimiento para el blanqueador:** Agregue blanqueador líquido.
No sobrepase la línea máxima .

ADVERTENCIA

- No abra el cajón para detergente mientras la lavadora se encuentra en funcionamiento.
- No coloque detergente en pastillas o cápsulas en el cajón para detergente. Colóquelas directamente dentro del tambor.
- No utilice detergentes en bola.
- Para impedir que el compartimiento se obstruya, diluya los productos concentrados o muy densos (suavizantes o detergentes) en agua antes de agregarlos.
- Tenga cuidado de no derramar suavizante de telas sobre la tapa o el panel de control.



Para agregar productos de lavado en el cajón para detergente



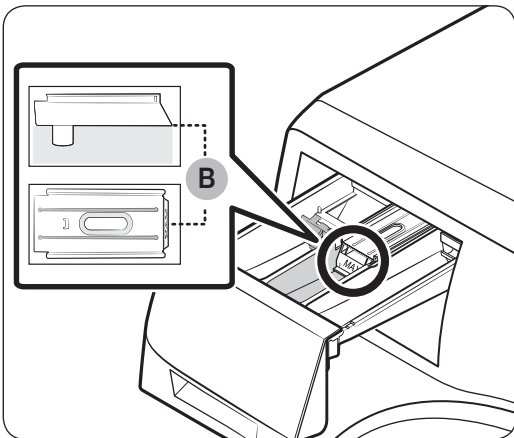
1. Abra la cubeta para detergente deslizándola.
2. Primero inserte el recipiente de líquido provisto en el **compartimento del detergente del lavado principal**.
3. Luego coloque detergente líquido en el recipiente por debajo de la línea máxima (A) marcada.

⚠ PRECAUCIÓN

- Asegúrese de que el contenedor para detergente esté insertado en el compartimento para el lavado principal.
- No sobrepase la **línea máxima (A)** marcada.

📖 NOTA

- No agregue detergente en polvo ni otros productos de lavado en polvo al contenedor para detergente líquido.
- Si usa detergente en polvo, suba el contenedor para el detergente líquido. Para utilizar detergente en polvo, consulte la página **34**.



4. Agregue suavizante en el **compartimento para el suavizante**.
No sobrepase la **línea máxima (B)**.

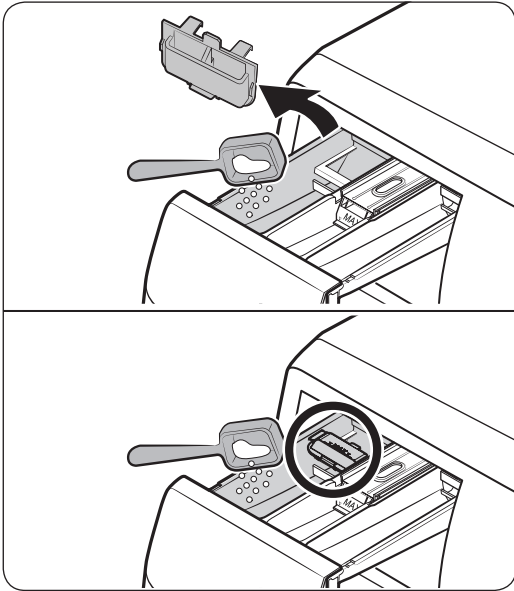
⚠ ADVERTENCIA

- No se recomienda el suavizante en polvo. Utilice solo suavizante líquido.
 - Antes de agregar suavizante concentrado, es necesario diluirlo.
 - No agregue detergente para lavado principal en el **compartimento para el suavizante**.
5. Cierre el cajón para detergente.



Antes de comenzar

Para utilizar detergente en polvo

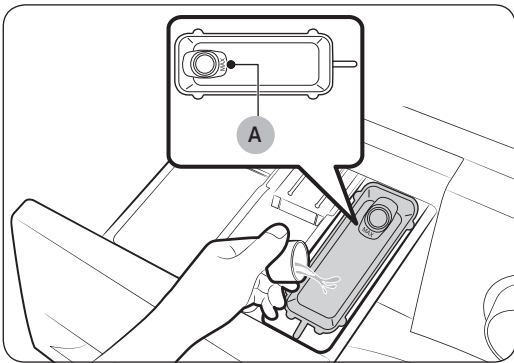


Primero, quite o levante el recipiente para detergente líquido provisto del **compartimiento para el lavado principal**. Luego, agregue detergente en polvo en el **compartimiento para el lavado principal** siguiendo las instrucciones del fabricante de detergente.

⚠ PRECAUCIÓN

No agregue detergente en polvo en el contenedor para detergente líquido.

Para utilizar el compartimiento para el blanqueador



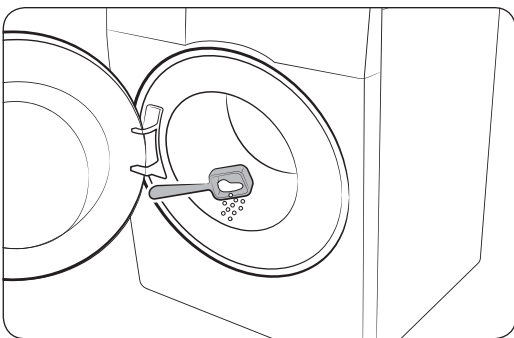
Primero inserte el **cajón del blanqueador** en el **compartimiento del blanqueador**.

Aplique solo blanqueador líquido que contenga cloro en el **cajón del blanqueador**. No sobrepase la **línea máxima (A)** marcada.

⚠ PRECAUCIÓN

No agregue un blanqueador líquido que contenga cloro sin diluir directamente sobre la carga o dentro del tambor. Se trata de un químico potente y, si no se usa correctamente, puede ser perjudicial para la tela, por ejemplo desgastando las fibras o causando decoloración.

Para utilizar potenciador de lavado o blanqueador con protección para ropa de color



Los potenciadores de lavado o blanqueadores con protección para ropa de color pueden mejorar el desempeño del lavado.

Asegúrese de agregar el potenciador de lavado o el blanqueador con protección para ropa de color después de colocar la ropa en el tambor.

📄 NOTA

Para usar detergente en polvo y potenciador de lavado o blanqueador con protección para ropa de color, resulta más efectivo colocarlos juntos en el tambor antes de cargar la ropa.

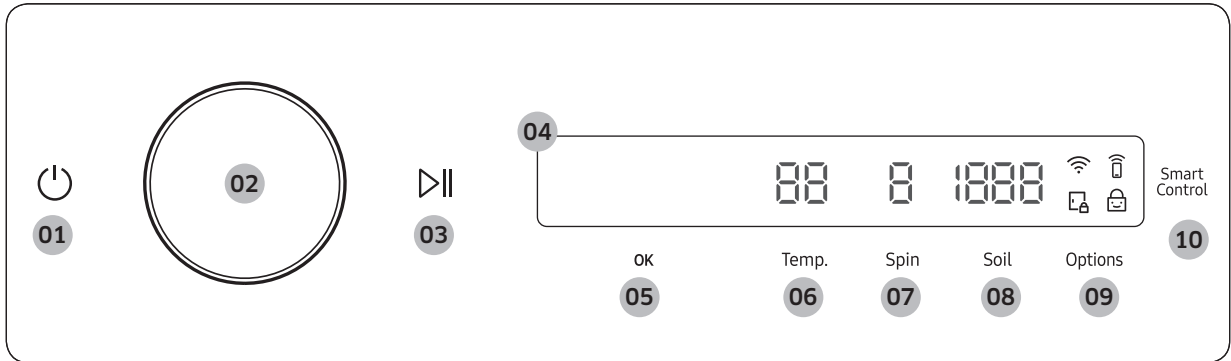


Funcionamiento

⚠ ADVERTENCIA

Para reducir el riesgo de incendio, descarga eléctrica o lesiones personales, lea la Información de seguridad antes de poner en funcionamiento el electrodoméstico.

Panel de control







01 Encender/Apagar 	<p>Pulse para encender o apagar la lavadora.</p> <ul style="list-style-type: none"> Si no utiliza el panel de control durante 10 minutos luego de encender la lavadora, esta se apagará automáticamente. La lavadora se apaga automáticamente cuando se completa el ciclo. <p>⚠ PRECAUCIÓN No pulse para apagar la lavadora cuando el ciclo de lavado esté en progreso. Primero, mantenga pulsado para pausar el ciclo y, luego, pulse para apagar la lavadora.</p>
02 Perilla de navegación	<p>Gire la perilla de navegación hacia la izquierda o derecha para navegar por los ciclos y las funciones.</p> <p>Al girar la perilla de navegación, la pantalla LCD muestra su selección (ciclo, funciones adicionales y funciones del sistema).</p>
03 Inicio/Pausa	<p>Mantenga pulsado para iniciar o pausar el funcionamiento.</p>
04 Pantalla	<p>La pantalla muestra información y tiempo restante estimado del ciclo que se está ejecutando, o un mensaje de información cuando ocurre un problema.</p> <p>📄 NOTA El tiempo de lavado puede ser diferente al del tiempo estimado inicial que mostró el panel de control luego de seleccionar el ciclo.</p>
05 OK (ACEPTAR)	<p>Pulse para confirmar su selección de una función o ajuste.</p>
06 Temp. (Temperatura)	<p>Pulse para cambiar la temperatura del ciclo seleccionado.</p> <ul style="list-style-type: none"> El indicador situado encima del botón indica el ajuste predeterminado o seleccionado.
07 Spin (Centrifugar)	<p>Presione para cambiar la velocidad de centrifugado del ciclo seleccionado.</p> <ul style="list-style-type: none"> El indicador situado encima del botón indica el ajuste predeterminado o seleccionado.
08 Soil (Suciedad)	<p>Pulse para cambiar el nivel de suciedad del ciclo actual.</p>



Funcionamiento

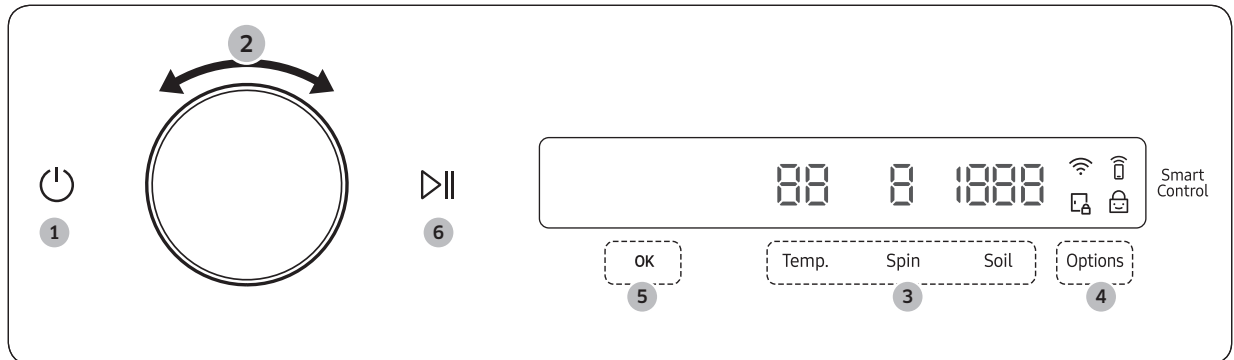
09 Options (Opciones)	<p>Pulse para ingresar al menú de Opciones.</p> <p>Pulse y mantenga presionado durante 3 segundos para ingresar al menú de Ajustes.</p>
10 Smart Control	<p>Pulse para activar o desactivar la función Smart Control.</p> <p>Pulse y mantenga presionado para ingresar al modo de apareado para conectarse a la aplicación SmartThings.</p> <ul style="list-style-type: none"> • Cuando se activa la función Smart Control, puede controlar su lavadora de forma remota con la aplicación SmartThings en su teléfono inteligente o tableta (Android o iOS).

Descripción de los íconos

	Wi-Fi	<ul style="list-style-type: none"> • Este ícono indica que la lavadora está conectada a una Wi-Fi.
	Smart Control	<ul style="list-style-type: none"> • Este ícono indica que la función Smart Control está activada. • Para obtener más información sobre la función Smart Control, consulte la página 46.
	Seguro de puerta	<ul style="list-style-type: none"> • Este ícono indica que la puerta está trabada y no puede abrirse. • La puerta se traba automáticamente durante un ciclo y se enciende este indicador. • Cuando este ícono desaparece, puede abrir la puerta.
	Seguro para niños	<ul style="list-style-type: none"> • Este ícono indica que la función Seguro para niños está activada. • Para obtener más información sobre la función Seguro para niños, consulte la página 43.



Funcionamiento de los ciclos



1. Pulse para encender la lavadora.
2. Gire la **perilla de navegación** para seleccionar el ciclo que desee.
 - Para obtener más información sobre la **Descripción de los ciclos**, consulte la página **38**.
3. Pulse **Temp. (Temperatura)**, **Spin (Centrifugado)** o **Soil (Suciedad)** para cambiar la configuración de los ciclos predeterminadas.
4. Pulse **Options (Opciones)** y, luego, gire la **perilla de navegación** para seleccionar la función adicional.
 - Para obtener más información sobre la **Options (Opciones)**, consulte la página **42**.
5. Pulse **OK (ACEPTAR)** para cambiar los ajustes para la función adicional seleccionada.
 - No todos los ciclos tienen funciones adicionales disponibles.
6. Pulse y mantenga presionado para iniciar el funcionamiento.
 - Cuando establezca el ciclo deseado, la pantalla mostrará una breve descripción del ciclo y la duración del ciclo. También puede verificar el progreso del ciclo, el tiempo restante del ciclo y los códigos de información.

Para cambiar el ciclo durante el funcionamiento

1. Presione para detener el funcionamiento.
2. Seleccione un programa diferente.
3. Presione el botón nuevamente para iniciar el nuevo programa.

ADVERTENCIA

No coloque nada encima de su lavadora mientras esté funcionando.



Funcionamiento

Descripción de los ciclos

Descripciones de los ciclos

Puede agregar o borrar ciclos para personalizar la lista de ciclos en la opción **Mis ciclos**. Consulte la página **43** para obtener más información.

Ciclo	Descripción
Normal	<ul style="list-style-type: none"> Para ropa de algodón, de cama y de mesa, ropa interior, toallas o camisas. La duración del lavado y el número de enjuagues se ajustan automáticamente de acuerdo con la carga.
Carga pesada	<ul style="list-style-type: none"> Para telas resistentes de colores sólidos y prendas muy sucias.
Super Speed	<ul style="list-style-type: none"> Lavado rápido para prendas de uso diario como ropa interior y camisas. El tiempo del ciclo diferirá en función de las condiciones de suministro de agua y la carga y el tipo de ropa.
Carga pequeña	<ul style="list-style-type: none"> Para prendas ligeramente sucias que desea que se laven rápidamente. Para un mejor rendimiento, se recomienda una carga de 4 lb (2.0 kg) o menos.
Delicados	<ul style="list-style-type: none"> Para telas finas, sostenes, lencería (seda) y otras telas que deben lavarse únicamente a mano. Para obtener mejores resultados, use detergente líquido.
Vap. Blancos	<ul style="list-style-type: none"> Para prendas blancas. Se puede lavar con o sin blanqueador.
Desin. Vapor	<ul style="list-style-type: none"> Para telas que no destiñen y prendas muy sucias, este ciclo calienta el agua a más de 140 °F (60 °C) para una limpieza profunda. Si detiene el ciclo mientras la lavadora está calentando el agua, la puerta permanecerá trabada para su seguridad.
Vapor Normal	<ul style="list-style-type: none"> Para lavar prendas de uso diario con vapor.
Toallas	<ul style="list-style-type: none"> Para toallas de baño, toallas pequeñas y alfombrillas.
Ropa de cama	<ul style="list-style-type: none"> Para prendas voluminosas como edredones, cobijas y sábanas. Para obtener los mejores resultados lave 1 solo tipo de ropa de cama. Para prendas voluminosas, use detergente líquido y no enrolle las prendas en el tambor ya que pueden quedarse adheridas.
Ropa Deportiva	<ul style="list-style-type: none"> Para ropa de ejercicio, como buzos y pantalones deportivos, camisetas y otras prendas de entrenamiento. Este ciclo proporciona una eliminación efectiva de la suciedad con un giro controlado del tambor para prendas que requieren un cuidado especial.
Enjuague+Centrifugado	<ul style="list-style-type: none"> Efectúa un ciclo de enjuague adicional después de agregar suavizante de telas a la ropa.
Limpieza de Tambor ⁺	<ul style="list-style-type: none"> Limpia el tambor al eliminar la suciedad y las acumulaciones presentes. Ejécutele una vez cada 40 lavados. Asegúrese de que el tambor esté vacío.



Ciclo	Descripción
Ropa impermeable	<ul style="list-style-type: none"> Para prendas utilizadas para actividades al aire libre, de esquí y deportivas fabricadas con materiales de tecnología funcional tales como el elastano, las telas elastizadas y la microfibra.
Jeans	<ul style="list-style-type: none"> Para jeans y mezclilla. Deben lavarse de adentro hacia afuera. La mezclilla y los jeans a menudo contienen un exceso de tinte y pueden desteñirse durante los primeros lavados. Lave las prendas de colores claros y oscuros por separado.
Lana	<ul style="list-style-type: none"> Para lanas que se puedan lavar en lavadora. El ciclo Lana se caracteriza por una suave acción de balanceo y remojo que protege las fibras de lana de encogimiento y deformaciones. Se recomienda un detergente neutro.
Colores	<ul style="list-style-type: none"> Este ciclo lava prendas con agua a baja temperatura para prevenir la decoloración
Plancha perm	<ul style="list-style-type: none"> Para telas sintéticas que no necesitan planchado y prendas ligera o moderadamente sucias.
Eco Frío	<ul style="list-style-type: none"> Para prendas ligera o medianamente sucias. Este ciclo usa solo agua fría para ahorrar energía. Además, el agua fría ayuda a conservar la ropa.
Vapor Cama	<ul style="list-style-type: none"> Ciclo Ropa de cama con la función de vapor.
Vapor Alérg.	<ul style="list-style-type: none"> Para eliminar el polvo, el polen y otras sustancias alergénicas inertes de las telas.
Vapor potente	<ul style="list-style-type: none"> Ciclo Lavado potente con la función de vapor.
Enju. Enérg.	<ul style="list-style-type: none"> Para lavar con una acción de enjuague potente.
Solo centrifugado	<ul style="list-style-type: none"> Para ejecutar solo el proceso de centrifugado.



Funcionamiento

Tabla de ciclos

Use esta tabla para configurar el mejor ciclo y las opciones para su lavadora.

Temp. (Temperatura)	Spin (Centrifugar)	Soil (Suciedad)
5 : Muy Caliente	5 : Muy Alta	5 : Extra Sucia
4 : Caliente	4 : Alta	4 : Sucia
3 : Tibia	3 : Mediana	3 : Normal
2 : Fría	2 : Baja	2 : Poco Sucia
1 : Agua Fría de la Llave	1 : Muy baja	1 : Extra Ligera
	Sin centrifugado	
	Sin drenaje	

● : configurado de fábrica, ○ : se puede seleccionar

Ciclo	Temp. (Temperatura)					Spin (Centrifugar)							Soil (Suciedad)				
	5	4	3	2	1	5	4	3	2	1	Sin centrifugado	Sin drenaje	5	4	3	2	1
Normal	○	○	●	○	○	○	●	○	○	○	○	○	○	○	○	○	○
Vapor Normal		●				○	●	○	○	○	○	○	○	○	○	○	○
Colores				●		○	●	○	○	○	○	○	○	○	○	○	○
Enju. Enérg.		○	●	○	○	○	●	○	○	○	○	○	○	○	○	○	○
Super Speed		○	●			○	●	○	○	○	○	○	○	○	○	○	○
Carga pesada	○	●	○	○	○	●	○	○	○	○	○	○	○	●	○	○	○
Vapor potente		●				●	○	○	○	○	○	○	○	●	○	○	○
Ropa de cama			●	○	○			●	○	○	○	○	○	○	○	○	○
Vapor Cama			●					●	○	○	○	○	○	○	○	○	○
Vap. Blancos		●				○	●	○	○	○	○	○	○	○	○	○	○
Desin. Vapor	●					○	●	○	○	○	○	○	○	○	○	○	○
Vapor Alérg.		●				○	●	○	○	○	○	○	○	○	○	○	○
Plancha perm			●	○	○		○	○	●	○	○	○	○	○	○	○	○
Carga pequeña		○	●	○	○	○	○	●	○	○	○	○	○	○	○	○	●
Toallas		○	●	○	○	○	●	○	○	○	○	○	○	○	○	○	○
Eco Frío				○	●	○	●	○	○	○	○	○	○	○	○	○	○
Ropa Deportiva			●	○	○				●	○	○	○	○	○	○	○	○
Delicados			○	○	●			●	○	○	○	○	○	○	○	○	○
Lana			●	○	○				●	○	○	○	○			●	
Ropa impermeable			●	○	○			●	○	○	○	○	○	○	○	○	○
Jeans			●	○	○				●	○	○	○	○	○	○	○	○
Enjuague+Centrifugado						○	●	○	○	○	○	○					
Solo centrifugado						○	●	○	○	○	○	○					
Limpieza de Tambor+	●					●									●		



Ciclo	Opciones		
	Enju. extra	Super Speed	Pre remo.
Normal	<input type="radio"/>		<input type="radio"/>
Vapor Normal	<input type="radio"/>		<input type="radio"/>
Colores	<input type="radio"/>		<input type="radio"/>
Enju. Enérg.	<input type="radio"/>		<input type="radio"/>
Super Speed	<input type="radio"/>	<input checked="" type="radio"/>	
Carga pesada	<input type="radio"/>	<input type="radio"/>	<input type="radio"/>
Vapor potente	<input type="radio"/>	<input type="radio"/>	<input type="radio"/>
Ropa de cama	<input type="radio"/>		<input type="radio"/>
Vapor Cama	<input type="radio"/>		<input type="radio"/>
Vap. Blancos	<input type="radio"/>	<input type="radio"/>	<input type="radio"/>
Desin. Vapor	<input type="radio"/>		<input type="radio"/>
Vapor Alérg.	<input type="radio"/>	<input type="radio"/>	<input type="radio"/>
Plancha perm	<input type="radio"/>		<input type="radio"/>
Carga pequeña	<input type="radio"/>		
Toallas	<input type="radio"/>		<input type="radio"/>
Eco Frío	<input type="radio"/>		<input type="radio"/>
Ropa Deportiva	<input type="radio"/>		<input type="radio"/>
Delicados	<input type="radio"/>		
Lana			
Ropa impermeable	<input type="radio"/>		
Jeans	<input type="radio"/>		<input type="radio"/>
Enjuague+Centrifugado	<input type="radio"/>		
Solo centrifugado			
Limpieza de Tambor+			



Funcionamiento

Opciones

Uso de Opciones

1. Pulse **Options (Opciones)**.
2. Gire la **perilla de navegación** para seleccionar la función adicional que desee.
3. Pulse **OK (ACEPTAR)** para cambiar los ajustes de la función seleccionada o iniciar la función.

NOTA

- Para volver a la pantalla principal, pulse **Options (Opciones)** nuevamente o gire la **perilla de navegación** para seleccionar **Volver** y pulse **OK (ACEPTAR)**.
- Si la función seleccionada no es compatible, aparecerá el mensaje. "**No compatible actualmente**" y el botón **OK (ACEPTAR)** no estará activado.
- Cuando seleccione una función adicional, aparecerá un mensaje de ayuda breve los primeros diez usos.

Super Speed

Utilice esta función si necesita acortar el tiempo de lavado.

1. Pulse **Options (Opciones)**.
2. Gire la **perilla de navegación** para seleccionar **Super Speed** y luego, pulse **OK (ACEPTAR)**.
3. Pulse **OK (ACEPTAR)** para seleccionar **Encender** u **Apagar**.
 - Disponible sólo con los ciclos **Carga pesada, Super Speed, Vap. Blancos, Vapor Alérg.** y **Vapor potente**.
 - El tiempo acortado puede variar dependiendo de las opciones o de la carga.

Enju. extra

Agrega un enjuague adicional al final del ciclo para remover los aditivos del lavado con mayor eficacia.

1. Pulse **Options (Opciones)**.
2. Gire la **perilla de navegación** para seleccionar **Enju. extra** y luego pulse **OK (ACEPTAR)**.
3. Pulse **OK (ACEPTAR)** para seleccionar **Encender** u **Apagar**.

Pre remo.

Esto agrega 30 minutos de tiempo de remojo al inicio del ciclo de lavado para una mejor remoción de manchas.

1. Seleccione un ciclo y cambie los ajustes del ciclo según sea necesario.
2. Pulse **Options (Opciones)**.
3. Gire la **perilla de navegación** para seleccionar **Pre remo.** y luego, pulse **OK (ACEPTAR)**.
4. Pulse **OK (ACEPTAR)** para seleccionar **Encender** u **Apagar**.



Mis ciclos

Agregue o elimine ciclos para crear una lista de ciclos personal.

1. Pulse **Options (Opciones)**.
2. Gire la **perilla de navegación** para seleccionar **Mis ciclos** y luego, pulse **OK (ACEPTAR)**.
 - Solo puede editar un ciclo para crear un ciclo personal cuando la lavadora no está en funcionamiento.
3. Gire la **perilla de navegación** para seleccionar el ciclo que desee.
4. Pulse **OK (ACEPTAR)** para agregar o eliminar el ciclo seleccionado.
 - La incorporación y eliminación de un ciclo se guarda automáticamente.
5. Cuando haya terminado de crear Mis ciclos, pulse **Options (Opciones)** para volver a la pantalla de los ciclos.

NOTA

- Los ciclos Normal no pueden eliminarse de la lista de ciclos.
- También puede editar Mis ciclos en la aplicación SmartThings.

Final diferido

Puede hacer que la lavadora finalice automáticamente el lavado en otro momento, eligiendo un tiempo de retardo de entre 1 y 24 horas (en incrementos de 1 hora). La pantalla indica la hora a la que finalizará el lavado.

1. Seleccione un ciclo y cambie los ajustes del ciclo según sea necesario.
2. Pulse **Options (Opciones)**.
3. Gire la **perilla de navegación** para seleccionar **Final diferido** y luego, pulse **OK (ACEPTAR)**.
4. Gire la **perilla de navegación** para seleccionar el tiempo deseado y luego, pulse **OK (ACEPTAR)**.
5. Pulse y mantenga presionado **▶||**.
 - La pantalla muestra el estado y la lavadora hace girar el tambor para detectar el peso de la carga (si la detección de carga está ajustada para el ciclo seleccionado). Una vez finalizada la detección de la carga, la pantalla muestra el tiempo restante hasta el final del ciclo de lavado.
 - Para cancelar Final diferido, pulse **⏏** para reiniciar la lavadora.

Seguro para niños

Para evitar que los niños enciendan o configuren accidentalmente la lavadora, el Seguro para niños bloquea todos los botones excepto **⏏** y **Options (Opciones)**.

1. Pulse **Options (Opciones)**.
2. Gire la **perilla de navegación** para seleccionar **Seguro para niños** y luego, pulse **OK (ACEPTAR)**.
3. Pulse **OK (ACEPTAR)** para seleccionar **Encender u Apagar**.
 - Cuando la función está activada, el ícono de Seguro para niños **🔒** se enciende.

NOTA

- Cuando la función Seguro para niños está activada, todos los botones están desactivados excepto por **⏏** y **Options (Opciones)**. La puerta de la lavadora también se traba.
- Si se pulsa un botón cuando la función Seguro para niños está activada, se acciona una alarma con el mensaje "**Seguro para niños activado**".
- Luego de un ciclo de lavado, no podrá abrir la puerta si la función Seguro para niños está activada. Desactive la función antes de abrir la puerta para retirar la ropa.



Funcionamiento

Ajustes

Uso de Ajustes

1. Pulse **Options (Opciones)** y mantenga presionado durante 3 segundos.
2. Gire la **perilla de navegación** y seleccione la función del sistema que desee y, luego, pulse **OK (ACEPTAR)**.
3. Pulse **OK (ACEPTAR)** para cambiar los ajustes de la función seleccionada o iniciar la función.

NOTA

Para volver a la pantalla principal, pulse **Options (Opciones)** nuevamente o gire la **perilla de navegación** para seleccionar **Volver** y pulse **OK (ACEPTAR)**.

Patrón IA

Esta función guarda los ciclos y ajustes de uso frecuente. Cuando activa esta función, la lavadora recuerda los ciclos que más usa y sus ajustes (Temperatura, Enjuagar, Centrifugar) y los muestra en orden de frecuencia.

1. Pulse **Options (Opciones)** y mantenga presionado durante 3 segundos.
2. Gire la **perilla de navegación** para seleccionar **Patrón IA** y luego, pulse **OK (ACEPTAR)**.
3. Pulse **OK (ACEPTAR)** para seleccionar **Encender** u **Apagar**.
 - El ajuste predeterminado es Encender. Si no desea utilizar esta función, seleccione Apagar.
 - Cuando desactiva la función, se restablecen todos los datos guardados.

Sonido

Puede activar o desactivar el sonido de la lavadora.

1. Pulse **Options (Opciones)** y mantenga presionado durante 3 segundos.
2. Gire la **perilla de navegación** para seleccionar **Sonido** y luego, pulse **OK (ACEPTAR)**.
3. Pulse **OK (ACEPTAR)** para seleccionar **Encender** u **Apagar**.
 - El ajuste predeterminado es Encender.

NOTA

El ajuste permanece igual incluso si reinicia la lavadora.

Calibración


Puede ejecutar la calibración nuevamente para una detección precisa del peso.

1. Pulse **Options (Opciones)** y mantenga presionado durante 3 segundos.
2. Gire la **perilla de navegación** para seleccionar **Calibración** y luego, pulse **OK (ACEPTAR)**.
 - Si la puerta no está bien cerrada, la calibración no comienza.
 - El tambor gira hacia la derecha y hacia la izquierda durante unos 3 minutos.
3. Cuando se completa la calibración, aparece en la pantalla el mensaje "Calibración completa" y la lavadora se apaga automáticamente.



Wi-Fi

Puede activar o desactivar la Wi-Fi de la lavadora.

1. Pulse **Options (Opciones)** y mantenga presionado durante 3 segundos.
2. Gire la **perilla de navegación** para seleccionar **Wi-Fi** y luego, pulse **OK (ACEPTAR)**.
3. Pulse **OK (ACEPTAR)** para seleccionar **Encender u Apagar**.
 - El Wi-Fi de la lavadora viene activado como configuración predeterminada de fábrica. No obstante, esta se activa cuando enciende la lavadora por primera vez. Luego, el último ajuste de la Wi-Fi se mantiene independientemente de que la lavadora esté encendida o apagada.
 - Después de haber activado la Wi-Fi de la lavadora y haberla conectado a una red, la lavadora permanece conectada a la red incluso cuando está apagada.
 - La Wi-Fi  indica que la lavadora está conectada al enrutador mediante la conexión Wi-Fi.

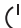
Idioma

Puede cambiar el idioma del sistema.

1. Pulse **Options (Opciones)** y mantenga presionado durante 3 segundos.
2. Gire la **perilla de navegación** para seleccionar **Idioma** y luego, pulse **OK (ACEPTAR)**.
3. Gire la **perilla de navegación** para seleccionar el idioma deseado y luego, pulse **OK (ACEPTAR)**.

Auto Diagnóstico

Puede utilizar esta función para comprobar si hay signos anormales en su lavadora.

1. Pulse **Options (Opciones)** y mantenga presionado durante 3 segundos.
2. Gire la **perilla de navegación** para seleccionar **Auto Diagnóstico** y, luego, presione **OK (ACEPTAR)**.
 - El Auto Diagnóstico comienza de inmediato y se muestra "**Revisando**" durante el proceso.
 - Una vez iniciado el proceso de Auto Diagnóstico, solo permanece activo el botón .
 - Si la lavadora detecta algún error, se muestra un código de información y la solución en el panel de control.

Restablecer a valores de fábrica

Puede restablecer la lavadora.

1. Pulse **Options (Opciones)** y mantenga presionado durante 3 segundos.
2. Gire la **perilla de navegación** para seleccionar **Restablecer a valores de fábrica** y luego, pulse **OK (ACEPTAR)**.
 - Su secadora se restablece a los valores de fábrica.




Funcionamiento

Funciones especiales

Smart control (solo modelos aplicables)

Puede conectarse a la aplicación SmartThings y controlar la lavadora de forma remota.

Conexión de la lavadora

1. Descargue y abra la aplicación SmartThings en su teléfono inteligente o tableta (Android & iOS).
2. Pulse  para encender la lavadora.
3. Pulse y mantenga presionado **Smart Control**.
 - a. La lavadora ingresa al modo PA y se conecta a su teléfono inteligente o tableta.
 - b. Pulse **Smart Control** para autenticar la lavadora.
 - c. Cuando se completa el proceso de autenticación, la lavadora se conecta a la aplicación correctamente.
 - Puede utilizar distintas funciones disponibles en la aplicación SmartThings.

NOTA

- Si la lavadora no puede conectarse a la aplicación SmartThings, intente nuevamente.
- Revise su enrutador si experimenta cualquier problema de conexión luego de conectar su lavadora a la aplicación SmartThings.
- Si la Wi-Fi está desactivada, pulse y mantenga presionado **Options (Opciones)** durante 3 segundos para entrar en el menú de funciones del sistema y seleccione Wi-Fi para activarla.
- Activar la Wi-Fi de la lavadora le permite conectar la lavadora mediante la aplicación SmartThings a su teléfono inteligente o tableta, independientemente de si la lavadora está encendida o apagada. No obstante, la lavadora no aparece en línea en la aplicación SmartThings si la Wi-Fi de la lavadora está apagada.
- Cierre la puerta antes de iniciar la función Smart Control.
- Si utiliza la lavadora durante un tiempo sin conectarla a la aplicación SmartThings, se mostrará un mensaje sobre Smart Control durante 3 segundos.
- Si la Wi-Fi de la lavadora no está conectada a un PA (punto de acceso), la Wi-Fi se desactivará al apagar la lavadora.

Seguir conectado

Configure la función Seguir conectado en la aplicación SmartThings para que Smart Control continúe activado al final de un ciclo. La lavadora sigue conectada a la aplicación para que pueda enviar instrucciones adicionales, ya sea que esté en su casa o no.

1. Si activa la función Seguir conectado en la aplicación SmartThings, la lavadora seguirá en modo de ahorro de energía en espera luego de completar el ciclo.
 - Si la puerta permanece cerrada, la función Seguir conectado permanecerá activa hasta 7 días.
2. Cuando la función Seguir conectado está activada, se iluminan los íconos de Smart Control, Seguro de puerta y Wi-Fi en la pantalla de la lavadora.
3. Puede controlar cómodamente su lavadora a través de la aplicación SmartThings, y añadir ciclos de enjuague, centrifugado o secado.

NOTA

- Cuando se pausa el funcionamiento de la lavadora, esta cambia al modo de ahorro de energía en espera incluso si la lavadora no está conectada a la aplicación SmartThings.
- En algunos casos, es posible que solo el ícono de Seguro de puerta se ilumine.



SmartThings

Conexión Wi-Fi

En su teléfono inteligente o tableta, vaya a **Settings (Ajustes)**, active la conexión inalámbrica y seleccione un PA (Punto de acceso).

- Este electrodoméstico admite los protocolos Wi-Fi 2.4 GHz.

Descargas

En una tienda de aplicaciones (Google Play Store, Apple App Store, Samsung Galaxy Apps), busque la aplicación SmartThings con el término de búsqueda "SmartThings". Descargue e instale la aplicación en su dispositivo.

NOTA

La aplicación está sujeta a cambios sin previo aviso para mejorar el producto.

Inicio de sesión

En primer lugar, debe iniciar sesión en SmartThings con su cuenta Samsung. Para crear una nueva cuenta Samsung, siga las instrucciones de la aplicación. No necesita otra aplicación para crear su cuenta.

NOTA

Si tiene una cuenta Samsung, utilícela para iniciar sesión. Un usuario de teléfono inteligente o tableta Samsung registrado inicia sesión de manera automática.

Para registrar su secadora en SmartThings

1. Asegúrese de que su teléfono inteligente o tableta esté conectado a una red inalámbrica. De lo contrario, vaya a **Settings (Ajustes)**, active la conexión inalámbrica y seleccione un PA (Punto de acceso).
2. Abra **SmartThings** en su teléfono inteligente o tableta.
3. Si aparece el mensaje "A new device is found. (Se encontró un nuevo dispositivo.)", seleccione **Add (Agregar)**.
4. Si no aparece ningún mensaje, seleccione **+** y elija su electrodoméstico de una lista de dispositivos disponibles. Si su electrodoméstico no figura, seleccione **Device Type (Tipo de dispositivo) > Specific Device Model (Modelo de dispositivo específico)**, y luego agregue su electrodoméstico manualmente.
5. Registre su electrodoméstico en la aplicación SmartThings de la siguiente manera.
 - a. Agregue su electrodoméstico en SmartThings. Asegúrese de que su electrodoméstico esté conectado a SmartThings.
 - b. Al completar el registro, su electrodoméstico aparecerá en su teléfono inteligente o tableta.

Si se muda, le recomendamos que limpie completamente el electrodoméstico y reinicializar la red de conectividad de internet antes de dejarlo.

Si se está mudando, la forma más fácil de tomar el control y eliminar el acceso del usuario anterior es agregarlo usted mismo a SmartThings. Pero si no planea usar SmartThings, se debe realizar un restablecimiento de la red de conectividad de internet para proteger su privacidad. En las propiedades de alquiler, hay un cambio regular de propiedad. Para garantizar la privacidad del residente, el Wi-Fi y / u otras configuraciones de conectividad deben reinicializar en cada cambio de residente. Consulte las instrucciones de restablecimiento de fábrica en este manual.



Mantenimiento



Mantenga la lavadora limpia para impedir el deterioro del desempeño y para preservar su vida útil.

ADVERTENCIA

Algunas piezas internas no están conectadas a tierra intencionalmente y pueden presentar un riesgo de descarga eléctrica solo durante el servicio técnico. Personal del servicio técnico - No toque las siguientes piezas mientras el electrodoméstico está recibiendo electricidad: Panel de control, disipador térmico, motor, válvula de entrada y bomba.

Limpieza de Tambor+

Algunos usos y condiciones ambientales pueden producir cierta acumulación de residuos y olor en el tambor de la lavadora. Para evitar esta acumulación u olor y mantener el tambor de la lavadora fresco y limpio, ejecute el ciclo Limpieza de Tambor+ una vez por mes o cada 40 ciclos como mínimo. Cuando utilice el ciclo Limpieza de Tambor+, realice el siguiente procedimiento recomendado.

1. Pulse .
2. Gire la **perilla de navegación** para seleccionar **Auto Limpieza**.
3. Pulse y mantenga presionado .


PRECAUCIÓN

Si deja blanqueador con cloro en el tambor de la lavadora durante un período prolongado, se puede producir óxido.

NOTA

- La temperatura del agua del ciclo Limpieza de Tambor+ está configurada en Muy Caliente de manera predeterminada. Esta temperatura no se puede cambiar.
- En caso de que haya residuos en el tambor de la lavadora, agregue blanqueador líquido hasta la línea de nivel MAX del compartimiento para el lavado principal antes de iniciar el ciclo Limpieza de Tambor+. No agregue el blanqueador líquido en el compartimiento para el blanqueador (Únicamente en el caso del ciclo Limpieza de Tambor+).
- No sobrepase la línea máxima. No utilice ni mezcle ningún otro detergente o producto químico durante el ciclo Limpieza de Tambor+. De ser necesario, ejecute el ciclo Enjuague+Centrifugado cuando finalice el ciclo Limpieza de Tambor+ para ayudar a quitar el resto de los residuos.

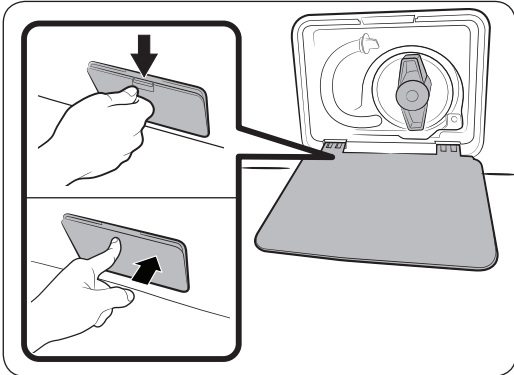
Recordatorio de Limpieza de Tambor+

- Cada 40 ciclos, la lavadora muestra el mensaje "**Retire la ropa y presione  para limpiar la lavadora**" durante una hora para avisarle que debe ejecutar el ciclo **Limpieza de Tambor+**.
- Es recomendable ejecutar el ciclo con regularidad por razones de higiene.
- Verá el mensaje de alerta **Limpieza de Tambor+** cuando la lavadora finalice un ciclo. Al abrir la puerta, el mensaje desaparece, y en el visor se muestra automáticamente la pantalla de ajuste del ciclo **Limpieza de Tambor+**.
- El recordatorio aparecerá en el panel de control durante 5 ciclos consecutivos adicionales antes de apagarse. El próximo recordatorio no aparecerá hasta que hayan pasado otros 40 ciclos.

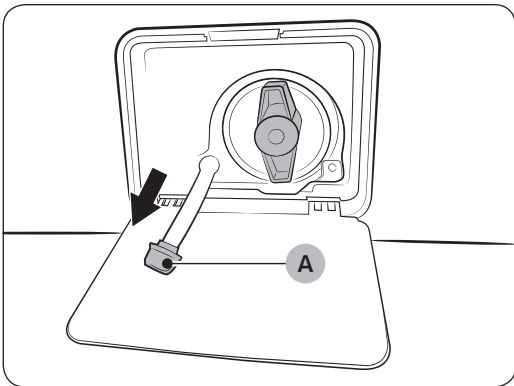


Drenaje de emergencia

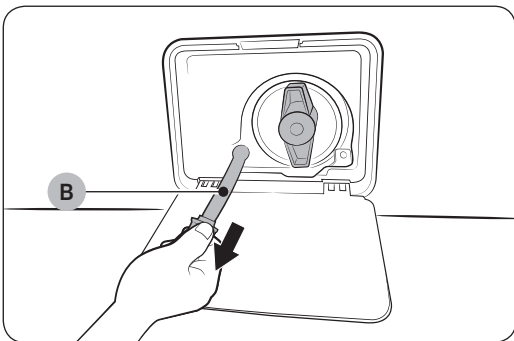
Si se produce una falla en el suministro eléctrico, vacíe el agua del tambor antes de retirar la ropa.



1. Apague y desenchufe la lavadora del tomacorriente.
2. Abra la **cubierta del filtro**.
 - TIPO 1: Presione hacia abajo el pestillo de la cubierta del filtro para abrirlo.
 - TIPO 2: Presione con suavidad el área superior de la cubierta del filtro para abrirla.



3. Coloque un recipiente grande y vacío debajo y extienda el tubo de drenaje de emergencia hacia el recipiente mientras sujeta el **tapón del tubo (A)**.



4. Abra el tapón del tubo y deje caer el agua del **tubo de drenaje de emergencia (B)** en el recipiente.
5. Al finalizar, cierre el tapón y vuelva a insertar el tubo. Luego, cierre la cubierta del filtro.

NOTA

Use un recipiente grande, ya que el tambor puede contener más agua de la esperada.



Mantenimiento

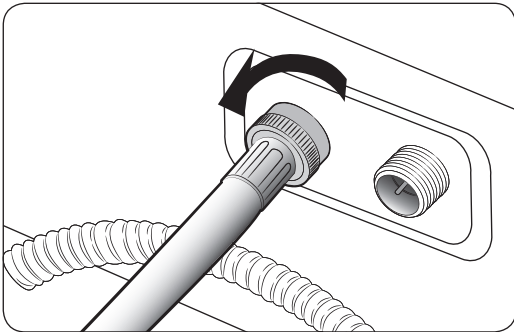
Limpieza

Superficie de la lavadora

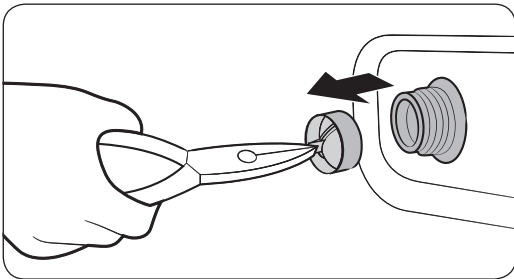
Use un paño suave y un detergente doméstico que no sea abrasivo. No rocíe agua sobre la lavadora.

Filtro de malla

Limpie el filtro de malla la manguera de agua una o dos veces por año.



1. Apague la lavadora y desenchufe el cable de alimentación.
2. Cierre la llave de agua.
3. Afloje y desconecte la manguera de agua de la parte trasera de la lavadora. Cubra la manguera con un paño para evitar que salga el agua.



4. Use unas pinzas para sacar el filtro de malla de la válvula de entrada.
5. Sumerja el filtro de malla en agua de modo que el conector roscado quede también sumergido.
6. Deje secar totalmente el filtro de malla a la sombra.
7. Vuelva a insertar el filtro de malla en la válvula de entrada y reconecte la manguera de agua en la válvula.
8. Abra la llave de agua.

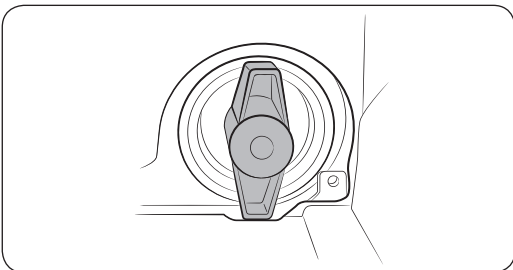
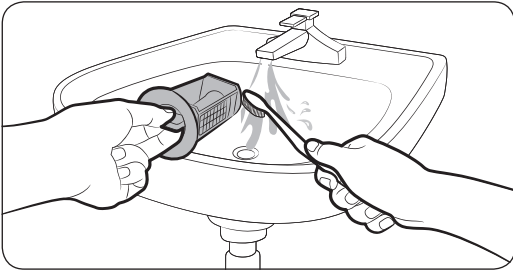
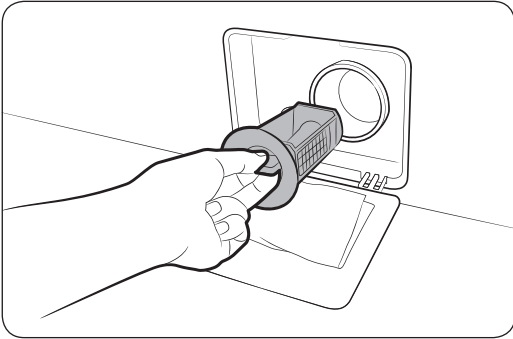
NOTA

Si el filtro de malla está obstruido, aparece el código de información "**Revise las tomas del agua y reinice**" en la pantalla.



Filtro de la bomba

Es recomendable limpiar el filtro de la bomba cada 2 meses para evitar que se obstruya. Un filtro de bomba obstruido puede reducir el efecto Bubble (Burbuja).



1. Apague la lavadora y desenchufe el cable de alimentación.
2. Drene el agua restante del tambor. Consulte la sección **"Drenaje de emergencia"**.
3. Presione suavemente la parte superior de la **tapa del filtro** para abrirla.
4. Gire la perilla del filtro de la bomba hacia la izquierda y vacíe el agua restante.
5. Limpie el filtro de la bomba con un cepillo suave. Asegúrese de que la bomba de desagüe situada dentro del filtro no esté obstruida.
6. Vuelva a colocar el filtro de la bomba y gire la perilla del filtro hacia la derecha.

NOTA

- Algunos filtros de la bomba cuentan con una perilla de seguridad diseñada para evitar que los niños se accidenten. Para abrir la perilla de seguridad del filtro bomba, presiónelo y gírelo en el sentido contrario al de las agujas del reloj. El mecanismo de muelle de la perilla de seguridad ayuda a abrir el filtro.
- Para cerrar la perilla de seguridad del filtro de la bomba, gírelo en sentido de las agujas del reloj. El muelle produce un ruido que es normal.

NOTA

- El mensaje de **"Limpie el filtro de desagüe"** aparece en la pantalla del panel de control cada 100 lavados.
- Si el filtro de la bomba está obstruido, aparece el código de información **"Limpie el filtro de desagüe"** en la pantalla.

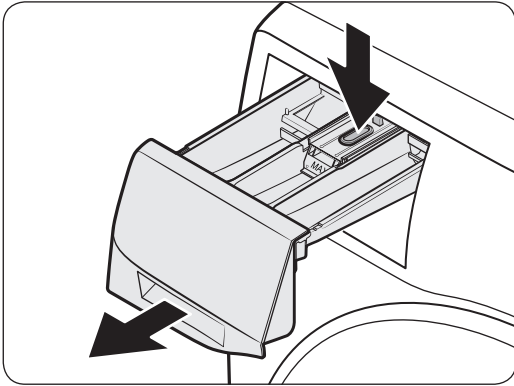
PRECAUCIÓN

- Asegúrese de cerrar bien la perilla del filtro luego de limpiarlo. De lo contrario, puede originar una fuga.
- Asegúrese de insertar correctamente el filtro luego de limpiarlo. De lo contrario, puede originar una falla en el funcionamiento o una fuga.

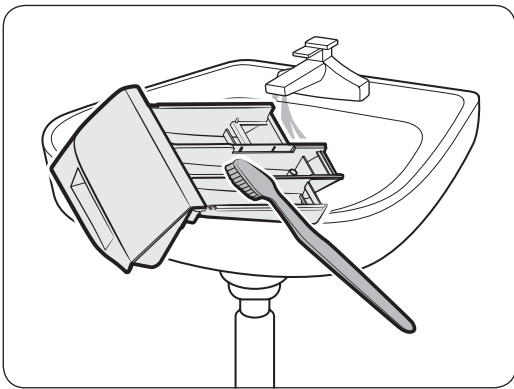


Mantenimiento

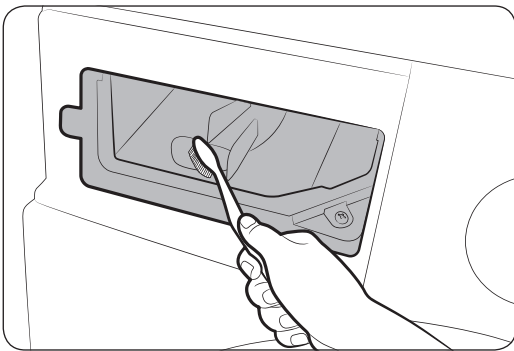
Cajón para detergente



1. Mientras presiona la **palanca de desbloqueo** del interior de la cubeta, deslice la cubeta para abrirla.



2. Limpie los componentes del cajón con agua corriente y un cepillo suave.



3. Use un cepillo para botellas para limpiar el hueco del cajón y eliminar los residuos de detergente o cal que haya ahí.
4. Vuelva a insertar el contenedor para detergente líquido en el cajón para detergente.
5. Deslice la cubeta hacia adentro para cerrarla.

 **NOTA**

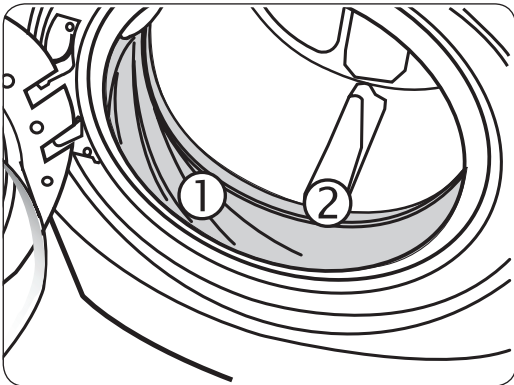
Asegúrese de que el hueco del dispensador esté completamente seco antes de introducirlo.

 **NOTA**

Para eliminar el detergente restante, ejecute un ciclo **Enjuague+Centrifugado** con el tambor vacío.



Diafragma de la puerta



1. Abra la puerta de la lavadora y saque la ropa o cualquier otro objeto.
2. Verifique si hay alguna sustancia extraña en los diafragmas grises ① entre la tapa y el tambor. Para verificar esto, dé la vuelta al diafragma ②.
3. Si hay sustancias extrañas, retírelas.
4. Si encuentra zonas sucias, límpielas utilizando el siguiente procedimiento:
 - a) Mezcle una solución diluida de $\frac{3}{4}$ de taza (177 mL) de blanqueador líquido con cloro y 1 gal. (3.8 L) de agua corriente caliente.
 - b) Limpie el área del diafragma con la solución de dilución con un paño húmedo.
 - c) Deje reposar durante 5 minutos.
 - d) Limpie meticulosamente el área con un paño seco y deje la puerta abierta para que se seque el interior de la lavadora.

⚠ PRECAUCIÓN

Póngase guantes de goma cuando vaya a realizar una limpieza prolongada. Consulte las instrucciones del fabricante del blanqueador para un uso adecuado.

Recuperación de un congelamiento

Si la temperatura baja de 0 °C, la lavadora puede congelarse.

1. Apague la lavadora y desenchufe el cable de alimentación.
2. Vierta agua tibia sobre el grifo del agua para aflojar la manguera de suministro de agua.
3. Desconecte la manguera y luego sumérjala en agua tibia.
4. Vierta agua tibia en el tambor y déjela 10 minutos aproximadamente.
5. Vuelva a conectar la manguera a la llave del agua.

📄 NOTA

Si la lavadora sigue sin funcionar con normalidad, repita los pasos anteriores hasta que así sea.



Mantenimiento

Mantenimiento de cara a un periodo prolongado sin utilizar la lavadora

Evite dejar la lavadora inactiva durante un periodo de tiempo prolongado. Si este es el caso, vacíe la lavadora y desenchufe el cable de alimentación.

1. Gire la **perilla de navegación** para seleccionar **Enjuague+Centrifugado**.
2. Vacíe el tambor y, luego, pulse y mantenga presionado ▷||.
3. Luego de completado el ciclo, cierre las llaves de agua y desconecte las mangueras de agua.
4. Apague la lavadora y desenchufe el cable de alimentación.
5. Abra la puerta para que el aire circule por el tambor.

Limpieza del exterior

1. Cierre las llaves del agua después de finalizar el lavado del día.
Esto cerrará el suministro de agua a la lavadora y evitará la improbable posibilidad de que se produzcan daños a causa de un derrame de agua. Deje la puerta abierta para permitir que el interior de la lavadora se seque.
2. Use un paño suave para limpiar todo el detergente, el blanqueador u otros derrames a medida que ocurran.
Limpie lo siguiente tal como se recomienda:
 - Panel de control: Limpie con un paño suave y húmedo.
No use polvos abrasivos ni toallitas limpiadoras. No rocíe el panel directamente con limpiadores en aerosol.
 - Gabinete: Lave con agua y jabón.

Limpieza del interior

Limpie el interior de la lavadora periódicamente para eliminar todo vestigio de suciedad, polvo, olor, moho, hongos o bacterias que pueda permanecer en la lavadora como consecuencia del lavado de ropa.

PRECAUCIÓN

El incumplimiento de estas instrucciones puede dar como resultado situaciones poco satisfactorias, tales como olor y/o manchas permanentes en la lavadora o en las prendas.

NOTA

Se pueden retirar los depósitos de agua dura si fuera necesario. Use un limpiador que en el rótulo indique que es seguro para lavadoras.



Solución de problemas

Si se produce un problema, consulte el mensaje de información en la pantalla LCD y siga las instrucciones en pantalla.

Si el problema persiste, comuníquese con un centro de servicio.

Verificaciones

Si tiene algún problema con la lavadora, primero consulte la tabla siguiente y pruebe las sugerencias.

Problema	Acción
No se inicia.	<ul style="list-style-type: none"> • Asegúrese de que la lavadora esté enchufada. • Asegúrese de que la puerta esté perfectamente cerrada. • Asegúrese de que las llaves de agua estén abiertas. • Pulse y mantenga presionado ▷ para iniciar la lavadora. • Asegúrese de que Seguro para niños no esté activado. • Antes de que la lavadora comience a llenarse, se escuchará una serie de sonidos semejantes a un "clic" para verificar el bloqueo de la puerta y efectuará un drenaje rápido. • Revise el fusible o reinicie el disyuntor. • Revise si la alimentación se suministra normalmente. • Se detectó bajo voltaje. <ul style="list-style-type: none"> – Verifique que el cable de alimentación esté enchufado. • Asegúrese de que no quede ropa trabada en la puerta.
No hay suministro de agua o el suministro de agua es insuficiente.	<ul style="list-style-type: none"> • Abra por completo la llave del agua. • Asegúrese de que la puerta esté perfectamente cerrada. • Compruebe que la manguera de la fuente de agua no esté congelada. • Asegúrese de que la manguera de suministro de agua no esté enroscada u obstruida. • Asegúrese de que la presión del agua sea suficiente. • Asegúrese de que las llaves del agua fría y caliente estén conectadas correctamente. • Limpie el filtro de malla ya que puede estar obstruido.
Después de un ciclo, queda detergente en el cajón para detergente.	<ul style="list-style-type: none"> • Asegúrese de que la lavadora funcione con suficiente presión de agua. • Asegúrese de verter el detergente en la parte central del cajón para detergente. • Asegúrese de insertar correctamente el medidor para el enjuague. • Si utiliza un detergente granulado, asegúrese de que el selector de detergente se encuentre en la posición superior. • Retire el medidor para el enjuague y limpie el cajón para detergente.

Solución de problemas

Problema	Acción
<p>Vibraciones excesivas o hace ruidos.</p>	<ul style="list-style-type: none"> • Asegúrese de que la lavadora esté instalada sobre un piso nivelado y firme que no sea resbaladizo. Si el piso está desnivelado, use las patas niveladoras para ajustar la altura de la lavadora. • Asegúrese de que se hayan retirado los tornillos de transporte. • Asegúrese de que la lavadora no esté en contacto con ningún otro objeto. • Verifique que la carga de ropa sea equilibrada. • El motor puede hacer ruido durante el funcionamiento normal. • La ropa de trabajo o las prendas con decoraciones de metal pueden generar ruidos durante el lavado. Esto es normal. • Los objetos metálicos como las monedas pueden generar ruidos. Después del lavado, retire estos objetos del tambor o la caja del filtro. • Redistribuya la carga. Si solo lava una prenda, por ejemplo una bata de baño o un par de jeans, el resultado del centrifugado final puede no ser satisfactorio y aparecerá el mensaje de verificación "Redistribuya la carga y reinicie" en la pantalla.
<p>No drena y/o no centrifuga.</p>	<ul style="list-style-type: none"> • Asegúrese de que la manguera de drenaje esté completamente enderezada hasta el sistema de drenaje. Si encuentra un problema con el drenaje, comuníquese con el servicio técnico. • Verifique que el filtro de la bomba no esté obstruido. • Cierre la puerta y pulse y mantenga presionado ▷ . Por su seguridad, la lavadora no girará ni centrifugará salvo que la puerta esté cerrada. • Asegúrese de que la manguera de drenaje no esté congelada ni obstruida. • Asegúrese de que la manguera de drenaje esté conectada a un sistema de drenaje que no esté obstruido. • Si no se suministra suficiente energía a la lavadora, esta no drenará ni centrifugará temporalmente. En cuanto la lavadora recupere la energía suficiente, funcionará con normalidad. • Asegúrese de que la manguera de drenaje esté correctamente posicionada, según el tipo de conexión. • Limpie el filtro de la bomba ya que puede estar obstruido.
<p>La puerta no se abre.</p>	<ul style="list-style-type: none"> • Pulse y mantenga presionado ▷ para detener la lavadora. • Puede llevar algunos minutos que el mecanismo de cierre de la puerta se desconecte. • La puerta no se abrirá hasta 3 minutos después de que la lavadora se haya detenido o apagado. • Asegúrese de que se haya drenado toda el agua del tambor. • Es posible que la puerta no se abra si queda agua en el tambor. Drene el tambor y abra la puerta manualmente. • Asegúrese de que la luz de la traba de la puerta se apague. La luz de la traba de la puerta se apaga después de que la lavadora realiza el drenaje.

Problema	Acción
Exceso de espuma.	<ul style="list-style-type: none"> • Asegúrese de utilizar los tipos recomendados de detergente según corresponda. • Use un detergente de alta eficacia (HE, por su sigla en inglés) para evitar la formación de espuma en exceso. • Reduzca la cantidad de detergente para el agua blanda, las cargas pequeñas o ligeramente sucias. • No se recomienda un detergente de baja eficacia.
No se puede agregar detergente adicional.	<ul style="list-style-type: none"> • Asegúrese de que la cantidad restante de detergente y suavizante de telas no supere el límite.
Se detiene.	<ul style="list-style-type: none"> • Enchufe el cable de alimentación a un tomacorriente que funcione. • Revise el fusible o reinicie el disyuntor. • Cierre la puerta y pulse y mantenga presionado ▷ para iniciar la lavadora. Por su seguridad, la lavadora no girará ni centrifugará salvo que la puerta esté cerrada. • Antes de que la lavadora comience a llenarse, se escuchará una serie de sonidos semejantes a un "clic" para verificar el bloqueo de la puerta y efectuará un drenaje rápido. • Se puede producir una pausa o un período de remojo en el ciclo. Espere un instante para ver si la lavadora comienza a funcionar. • Asegúrese de que el filtro de malla de la manguera de suministro de agua en las llaves del agua no esté obstruido. Limpie el filtro de malla periódicamente. • Si no se suministra suficiente energía a la lavadora, esta no drenará ni centrifugará temporalmente. En cuanto la lavadora recupere la energía suficiente, funcionará con normalidad.
Se llena con agua a una temperatura incorrecta.	<ul style="list-style-type: none"> • Abra por completo ambas llaves del agua. • Asegúrese de que la selección de temperatura sea la correcta. • Asegúrese de que las mangueras estén conectadas a las llaves correctas. Purgue las cañerías. • Asegúrese de que el calentador de agua esté configurado para suministrar agua caliente en la salida de agua a una temperatura mínima de 120 °F (49 °C). También, compruebe la capacidad del calentador de agua y tasa de recuperación. • Desconecte las mangueras y limpie el filtro de malla. El filtro de malla puede estar obstruido. • Mientras la lavadora se llena, la temperatura del agua puede variar debido a que la función automática de control de la temperatura verifica la temperatura del agua que ingresa. Esto es normal. • Mientras la lavadora se llena, es posible que observe que por el dosificador pasa solo agua caliente y/o solo agua fría cuando se seleccionan las temperatura fría o tibia. Esta es una función normal que cumple el control de temperatura automático dado que la lavadora determina la temperatura del agua.
La carga está húmeda al finalizar un ciclo.	<ul style="list-style-type: none"> • Use la velocidad de centrifugado Alta o Muy Alta. • Use un detergente de alta eficacia (HE, por su sigla en inglés) para reducir la formación de espuma en exceso. • La carga es demasiado pequeña. Las cargas pequeñas (una o dos prendas) se pueden desequilibrar y no centrifugarse en absoluto. • Asegúrese de que la manguera de drenaje no esté enroscada ni obstruida.



Solución de problemas

Problema	Acción
Pierde agua.	<ul style="list-style-type: none"> • Asegúrese de que la puerta esté perfectamente cerrada. • Asegúrese de que todas las conexiones de las mangueras estén ajustadas. • Asegúrese de que el extremo de la manguera de drenaje esté correctamente conectado y asegurado al sistema de drenaje. • Evite sobrecargar la lavadora. • Use un detergente de alta eficacia (HE, por su sigla en inglés) para evitar la formación de espuma en exceso. • Verifique la manguera de drenaje. <ul style="list-style-type: none"> - Asegúrese de que el extremo de la manguera de drenaje no esté en el suelo. - Asegúrese de que la manguera de drenaje no esté obstruida.
Tiene olores.	<ul style="list-style-type: none"> • El exceso de espuma se acumula en los huecos y puede causar malos olores. • Realice ciclos de limpieza para desinfectar periódicamente. • Limpie el sello de la puerta (diafragma). • Seque el interior de la lavadora una vez finalizado el ciclo.

Si el problema persiste, comuníquese con un centro de servicio. El número del centro de servicio aparece en la etiqueta del producto.



Códigos de información

Si la lavadora no funciona bien, puede ver un código de información en la pantalla. Consulte la siguiente tabla y pruebe las sugerencias.

Código	Acción
Limpie el filtro de desagüe	<p>El agua no drena.</p> <ul style="list-style-type: none"> • Asegúrese de que la manguera de drenaje no esté congelada ni obstruida. • Asegúrese de que la manguera de drenaje esté correctamente posicionada, según el tipo de conexión. • Limpie el filtro de la bomba ya que puede estar obstruido. • Asegúrese de que la manguera de drenaje esté completamente enderezada hasta el sistema de drenaje. • Si el código de información permanece, comuníquese con un centro de servicio al cliente
Revise las tomas del agua y reinicie	<p>No se suministra agua.</p> <ul style="list-style-type: none"> • Asegúrese de que las llaves de agua estén abiertas. • Asegúrese de que las mangueras de agua no estén obstruidas. • Asegúrese de que las llaves del agua no estén congeladas. • Asegúrese de que la lavadora funcione con suficiente presión de agua. • Asegúrese de que las llaves del agua fría y caliente estén conectadas correctamente. • Limpie el filtro de malla ya que puede estar obstruido. • Todos los botones estarán desactivados durante 3 minutos después de que aparece el código de información. • Cuando aparece el mensaje "Revise las tomas del agua y reinicie", la máquina drena agua por 3 minutos. En este tiempo, el botón de encendido estará desactivado.
Conecte correctamente la manguera de agua caliente/fría	<ul style="list-style-type: none"> • Asegúrese de que la manguera de suministro de agua fría esté firmemente conectada a la llave del agua fría. Si está conectada a la llave del agua caliente, las prendas pueden deformarse con algunos ciclos.
Redistribuya la carga y reinicie	<p>No centrifuga.</p> <ul style="list-style-type: none"> • Asegúrese de que la ropa esté esparcida uniformemente. • Asegúrese de que la lavadora esté sobre una superficie plana y estable. • Redistribuya la carga. Si solo lava una prenda, por ejemplo una bata de baño o un par de jeans, el resultado del centrifugado final puede no ser satisfactorio y aparecerá el mensaje de verificación "Redistribuya la carga y reinicie" en la pantalla.
Cierre la puerta de la lavadora y vuelva a intentar	<p>La lavadora funciona con la puerta abierta.</p> <ul style="list-style-type: none"> • Asegúrese de que la puerta esté perfectamente cerrada. • Asegúrese de que no quede ropa trabada en la puerta.

Solución de problemas

Código	Acción
OC	<p>El agua se ha desbordado.</p> <ul style="list-style-type: none"> Reinicie después del centrifugado. Si el código de información sigue apareciendo en la pantalla, comuníquese con un centro de servicio local de Samsung.
LC, LC1	<p>Verifique la manguera de drenaje.</p> <ul style="list-style-type: none"> Asegúrese de que el extremo de la manguera de drenaje no esté en el suelo. Asegúrese de que la manguera de drenaje no esté obstruida. Si el código de información permanece, comuníquese con un centro de servicio al cliente.
3C	<p>Verifique el funcionamiento del motor del tambor.</p> <ul style="list-style-type: none"> Pruebe reiniciar el ciclo. Si el código de información permanece, comuníquese con un centro de servicio al cliente.
3CP	<p>Se debe revisar el control electrónico.</p> <ul style="list-style-type: none"> Pruebe reiniciar el ciclo. Si el código de información permanece, comuníquese con un centro de servicio al cliente.
UC	<p>Compruebe el funcionamiento del motor del pulsador.</p> <ul style="list-style-type: none"> Revise si la alimentación se suministra normalmente. Si el código de información permanece, comuníquese con un centro de servicio al cliente.
	<p>Se detectó bajo voltaje.</p> <ul style="list-style-type: none"> Verifique que el cable de alimentación esté enchufado. Si el código de información permanece, comuníquese con un centro de servicio al cliente.
HC	<p>Verificación de temperatura alta.</p> <ul style="list-style-type: none"> Si el código de información permanece, comuníquese con un centro de servicio al cliente.
1C	<p>El sensor de nivel de agua no está funcionando bien.</p> <ul style="list-style-type: none"> Apague la lavadora y reinicie el ciclo. Si el código de información permanece, comuníquese con un centro de servicio al cliente.
AC	<p>Verifique las comunicaciones entre las PBA primaria y secundaria.</p> <ul style="list-style-type: none"> Apague la lavadora y reinicie el ciclo. Si el código de información permanece, comuníquese con un centro de servicio al cliente.

Código	Acción
8C	<p>El sensor MEMS no está funcionando adecuadamente.</p> <ul style="list-style-type: none"> • Apague la lavadora y reinicie el ciclo. • Si el código de información permanece, comuníquese con un centro de servicio al cliente.
AC6	<p>Verifique las comunicaciones entre las PBA primaria y el inversor.</p> <ul style="list-style-type: none"> • Dependiendo del estado, la lavadora puede regresar automáticamente al funcionamiento normal. • Apague la lavadora y reinicie el ciclo. • Si el código de información permanece, comuníquese con un centro de servicio al cliente.
DC1	<p>El seguro de la puerta principal no funciona correctamente.</p> <ul style="list-style-type: none"> • Apague la lavadora y reinicie el ciclo. • Si el código de información permanece, comuníquese con un centro de servicio al cliente.





Si un código de información sigue apareciendo en la pantalla, comuníquese con un centro de servicio local de Samsung.

Especificaciones

Tabla de indicaciones sobre telas

Los siguientes símbolos ofrecen indicaciones acerca de las prendas. La etiqueta de indicaciones de la prenda incluye símbolos para secado, blanqueado, secado y planchado, o limpieza en seco cuando son necesarios. El uso de símbolos garantiza la consistencia entre los fabricantes textiles de artículos nacionales e importados. Siga las indicaciones de la etiqueta para optimizar la vida útil de la prenda y reducir los problemas del lavado.

Ciclo de lavado

	Normal
	Plancha permanente/Antiarrugas/ Control de arrugas
	Prendas suaves/delicadas
	Lavado a mano




Temperatura del agua

...	Caliente
..	Tibia
.	Fría



NOTA

El rango de temperatura para Caliente es de 135 °F (57 °C) o inferior, 95 °F (35 °C) o inferior para Tibia y 68 °F (20 °C) o inferior para Fría. La temperatura del agua del lavado debe alcanzar un mínimo de 60 °F (16 °C) para que se active el detergente y se logre un lavado eficaz.




Blanqueador

	Cualquier blanqueador (cuando sea necesario)
	Solo blanqueador sin cloro (protección del color) (si es necesario)
	Secar en secadora






Normal

	Plancha permanente/Antiarrugas/ Control de arrugas
	Prendas suaves/delicadas




Instrucciones especiales

	Secar colgado/tender
	Colgar para que escurra
	Secar en posición horizontal







Secado con calor

	Alta
	Mediana
	Baja
	Cualquier calor
	Sin calor/aire






Temperaturas de secado con plancha o vapor

	Alta
	Mediana
	Baja

Símbolos de advertencia para el lavado

	No lavar
	No retorcer
	No usar lejía
	No secar en secadora
	Sin vapor (agregado a la plancha)
	No planchar

Limpia en seco

	Limpia en seco
	No limpiar en seco
	Secar colgado/tender
	Colgar para que escurra
	Secar en posición horizontal

Protección del medio ambiente

- Este electrodoméstico se fabrica con materiales reciclables. Si decide deshacerse de ella, siga la normativa local relacionada con la eliminación de desechos. Corte el cable de alimentación para que el electrodoméstico no pueda conectarse a una fuente de alimentación. Quite la tapa para que los animales y los niños pequeños no puedan quedar atrapados dentro de la máquina.
- No utilice cantidades de detergente superiores a las recomendadas por el fabricante del detergente.
- Utilice productos quitamanchas y blanqueadores antes del ciclo de lavado y solo cuando sea necesario.
- Ahorre agua y electricidad utilizando solo la capacidad total de la lavadora (la cantidad exacta depende del programa que se utilice).

Declaración de conformidad

Este electrodoméstico cumple con la norma UL2157.

Hoja de especificaciones

Tipo		Lavadora de carga frontal	
Nombre del modelo		WW25B6900**	
Presión de agua (psi (kPa))		20 - 116 (137 - 800)	
Peso NETO (lb (kg))		163 (74)	
Revoluciones del centrifugado		1400 rpm	
Potencia del calentador		900 W	
Consumo de potencia	Lavado	120 V	200 W
	Lavado y calefacción		1150 W
	Centrifugar		550 W
	Drenaje		80 W



Garantía limitada (Estados Unidos)

LAVADORA SAMSUNG

GARANTÍA LIMITADA AL COMPRADOR CONSUMIDOR ORIGINAL CON PRUEBA DE COMPRA

El presente producto de la marca SAMSUNG, tal como lo provee y distribuye SAMSUNG ELECTRONICS AMERICA, INC. (SAMSUNG) y lo entrega como nuevo, en su caja de cartón original al comprador consumidor original, está garantizado por SAMSUNG contra defectos de fabricación de los materiales o la mano de obra durante el período limitado de la garantía, a partir de la fecha original de compra, de:

Un (1) año para repuestos y mano de obra,

Tres (3) años para las piezas del tambor inoxidable (Solo piezas),

Diez (10) años para el motor inversor digital de lavado (solo el repuesto)

La presente garantía limitada es válida únicamente para productos comprados y usados en Estados Unidos que fueron instalados, operados y mantenidos de acuerdo con las instrucciones adjuntas o provistas con el producto. Para recibir el servicio técnico en garantía, el comprador debe comunicarse con SAMSUNG en la dirección o el teléfono que figuran más abajo con el fin de que se determine el problema y los procedimientos del servicio. El servicio técnico de la garantía solo puede ser prestado por un centro de servicio técnico autorizado de SAMSUNG. Para recibir el servicio técnico en garantía debe presentarse la factura original de compra fechada cuando así lo solicite SAMSUNG o el Centro de Servicio autorizado Samsung como prueba de compra.

Samsung brindará servicio técnico a domicilio dentro del territorio contiguo de Estados Unidos durante el período de garantía sin cargo, sujeto a la disponibilidad de los centros de servicio autorizados por SAMSUNG dentro de la zona geográfica del cliente. Si el servicio técnico a domicilio no está disponible, SAMSUNG puede, a su elección, optar por transportar el producto hasta y desde un centro de servicio técnico autorizado. Si el producto está ubicado en una zona en la que no se encuentra disponible ningún centro de servicio autorizado por SAMSUNG, usted podrá ser responsable del cargo por transporte o se le podrá requerir que transporte el producto a un centro de servicio autorizado por SAMSUNG para recibir asistencia técnica.

Para recibir el servicio técnico a domicilio, el producto no debe presentar obstrucciones y debe ser accesible para el agente del servicio técnico.

Durante el periodo de garantía aplicable, el producto se reparará o se reemplazará, o se devolverá el importe de compra, a la entera discreción de SAMSUNG. SAMSUNG podrá usar piezas nuevas o reacondicionadas para la reparación del producto, o reemplazar el producto por un producto nuevo o reacondicionado. La vigencia de la garantía de las piezas y los productos reemplazados será por el período restante de la garantía original del producto o por un período de noventa (90) días, el que sea el más largo. Todas las piezas y los productos reemplazados son propiedad de SAMSUNG y deben ser devueltos a SAMSUNG.



La presente garantía limitada cubre defectos de fabricación de los materiales o la mano de obra que ocurran durante el uso normal y doméstico de este producto y no cubrirá lo siguiente: daños que ocurran durante el envío, entrega e instalación y usos para los cuales el presente producto no fue destinado; daños causados por modificación o alteración no autorizada del producto; producto cuyos números de serie originales de fábrica fueron eliminados, desfigurados, alterados en algún modo o que no se puedan determinar fácilmente; daños cosméticos incluyendo rayones, hendiduras, abolladuras y otros daños al acabado del producto; daño causado por abuso o mal uso, plagas, accidente, incendio, inundación u otros casos fortuitos o de fuerza mayor; daño causado por el uso de equipo, utilidades, servicios, piezas, suministros, accesorios, aplicaciones, instalaciones, reparaciones, cableado externo o conectores no provistos ni autorizados por SAMSUNG; daño causado por línea eléctrica o voltaje incorrecto, fluctuaciones y sobretensión; daño causado por no operar y mantener el producto de acuerdo con las instrucciones; instrucción a domicilio acerca de cómo usar el producto; y servicio técnico para corregir una instalación que no cumpla con los códigos eléctricos o de plomería o corrección de cableado eléctrico o tuberías (es decir, cableado doméstico, fusibles o mangueras de entrada de agua). El costo de reparación o reemplazo bajo estas circunstancias excluidas será responsabilidad del cliente.

Las visitas de un proveedor de servicio técnico autorizado para explicar funciones, mantenimiento o instalación del producto no se cubren bajo esta garantía limitada. Comuníquese con Samsung al número que figura abajo para obtener ayuda con cualquiera de estos problemas

EXCLUSIÓN DE GARANTÍAS IMPLÍCITAS

LAS GARANTÍAS IMPLÍCITAS, INCLUYENDO GARANTÍAS IMPLÍCITAS DE COMERCIABILIDAD O APTITUD PARA UN PROPÓSITO EN PARTICULAR, ESTÁN LIMITADAS A UN AÑO O AL PERIODO MÁS CORTO PERMITIDO POR LA LEY. Algunos estados no permiten limitaciones en cuanto al periodo de vigencia de una garantía implícita, de tal forma que las limitaciones o exclusiones mencionadas tal vez no se apliquen a usted en particular. Esta garantía le otorga derechos específicos, e incluso usted también puede tener otros derechos que varían de un estado a otro.



Garantía limitada (Estados Unidos)

LIMITACIÓN DE RECURSOS

EL ÚNICO Y EXCLUSIVO RECURSO ES LA REPARACIÓN DEL PRODUCTO, EL REEMPLAZO DEL PRODUCTO O LA DEVOLUCIÓN DEL IMPORTE DE COMPRA, A DISCRECIÓN DE SAMSUNG, CONFORME A ESTA GARANTÍA LIMITADA. SAMSUNG NO SERÁ RESPONSABLE POR DAÑOS ESPECIALES, IMPREVISTOS O DERIVADOS, INCLUYENDO ENTRE OTROS, TIEMPO FUERA DEL TRABAJO, HOTELES Y/O COMIDAS EN RESTAURANTES, GASTOS DE REMODELACIÓN, PÉRDIDAS DE INGRESOS O GANANCIAS, INCAPACIDAD DE GENERAR AHORROS U OTROS BENEFICIOS INDEPENDIENTEMENTE DE LA TEORÍA LEGAL EN LA QUE SE BASE EL RECLAMO, E INCLUSO SI SAMSUNG HA SIDO ADVERTIDA DE LA POSIBILIDAD DE DICHOS DAÑOS. Algunos estados no permiten la exclusión o la limitación de daños imprevistos o derivados, por lo que las limitaciones o exclusiones mencionadas tal vez no se apliquen a usted en particular. Esta garantía le otorga derechos específicos, e incluso usted también puede tener otros derechos que varían de un estado a otro.

SAMSUNG no garantiza el funcionamiento ininterrumpido o sin errores del producto. Ningún aval o garantía otorgados por otra persona, compañía o corporación con respecto al presente producto revestirá carácter vinculante para SAMSUNG.

Para obtener el servicio de garantía, comuníquese con SAMSUNG en:

Samsung Electronics America, Inc.

85 Challenger Road

Ridgefield Park, NJ 07660

1-800-SAMSUNG (726-7864)

www.samsung.com/us/support



Garantía (CANADÁ)

LAVADORA SAMSUNG

GARANTÍA LIMITADA PARA EL COMPRADOR ORIGINAL

El presente producto de la marca SAMSUNG, tal como lo provee y distribuye SAMSUNG ELECTRONICS CANADA, INC. (SAMSUNG) y lo entrega como nuevo, en su caja de cartón original al comprador o consumidor original, está garantizado por SAMSUNG contra defectos de fabricación de los materiales y la mano de obra durante el período limitado de la garantía de:

Un (1) año para repuestos y mano de obra; diez (10) años para el motor inversor digital de lavado (solo el repuesto)

La presente garantía limitada comienza en la fecha original de compra y es válida únicamente para productos comprados y usados en Canadá. Para recibir el servicio técnico de la garantía, el comprador debe comunicarse con SAMSUNG con el fin de que se determine el problema y los procedimientos del servicio. El servicio técnico de la garantía solo puede ser prestado por un centro de servicio técnico autorizado de SAMSUNG. Se debe presentar la factura de compra original como prueba de compra a SAMSUNG o al servicio técnico autorizado de SAMSUNG. SAMSUNG prestará servicio técnico a domicilio durante el período de la garantía sin costo, sujeto a la disponibilidad dentro de Canadá. El servicio técnico a domicilio no está disponible en todas las áreas.

Para recibir el servicio técnico a domicilio, el producto no debe presentar obstrucciones y debe ser accesible para el agente del servicio técnico. Si el servicio técnico no está disponible, SAMSUNG puede optar por transportar el producto hasta y desde el servicio técnico autorizado.

SAMSUNG reparará, reemplazará el producto u ofrecerá un reembolso a su criterio y sin cargo adicional, tal como se establece en la presente garantía, con piezas o productos nuevos o reacondicionados si se verifica que es defectuoso durante el período limitado de la garantía especificado anteriormente. Todas las piezas y los productos reemplazados pasan a ser propiedad de SAMSUNG y deben ser devueltos a SAMSUNG. Las piezas y los productos reemplazados asumen la garantía original que resta, o noventa (90) días, el período que sea el más prolongado. La presente garantía limitada cubre defectos de fabricación de los materiales y la mano de obra encontrados durante el uso normal y doméstico de este producto y no será válida para lo siguiente: daños que ocurran durante el envío; entrega e instalación; aplicaciones y usos para los cuales el presente producto no fue destinado; números de serie o de producto alterados; daño cosmético o de acabado exterior; accidentes, abuso, descuido, incendio, inundación, caída de rayos, u otros casos fortuitos o de fuerza mayor; uso de productos, equipos, sistemas, utilidades, servicios, piezas, suministros, accesorios, aplicaciones, instalaciones, reparaciones, cableado externo o conectores no provistos ni autorizados por SAMSUNG que dañen este producto o que acarreen problemas en el servicio; voltaje de la línea eléctrica incorrecto, fluctuaciones y sobrevoltaje; ajustes del cliente e incumplimiento de lo establecido en el manual de instrucciones, instrucciones de mantenimiento y ambientales que están cubiertas y recomendadas en el manual de instrucciones; traslado y reinstalación del producto; problemas causados por plagas. La presente garantía limitada no cubre problemas derivados de la corriente, el voltaje o el suministro eléctrico incorrectos, las bombillas de luz, los fusibles de la casa, el cableado de la casa, el costo del servicio técnico para recibir instrucciones o corregir errores en la instalación. SAMSUNG no garantiza el funcionamiento ininterrumpido o sin errores del producto.

SALVO LO ESTABLECIDO EN LA PRESENTE GARANTÍA, NO EXISTEN GARANTÍAS SOBRE EL PRESENTE PRODUCTO, YA SEAN EXPRESAS O TÁCITAS, Y SAMSUNG DESCONOCE TODAS LAS GARANTÍAS QUE INCLUYEN, AUNQUE NO EN CARÁCTER TAXATIVO, CUALQUIER GARANTÍA TÁCITA DE QUE EL PRODUCTO SE ENCUENTRA EN CONDICIONES APTAS PARA LA VENTA, DE DEFRAUDACIÓN DE DERECHOS O DE QUE EL PRODUCTO SE ADECUA A LOS FINES ESPECÍFICOS PARA LOS CUALES SE ADQUIERE.



Garantía (CANADÁ)

NINGÚN AVAL O GARANTÍA OTORGADOS POR PERSONA, COMPAÑÍA O CORPORACIÓN ALGUNA CON RESPECTO AL PRESENTE PRODUCTO REVESTIRÁ CARÁCTER VINCULANTE PARA SAMSUNG. SAMSUNG NO SERÁ RESPONSABLE POR PÉRDIDAS DE INGRESOS O LUCRO CESANTE, IMPOSIBILIDAD DE GENERAR AHORROS U OBTENER OTROS BENEFICIOS, O CUALQUIER DAÑO DERIVADO DE CIRCUNSTANCIAS ESPECIALES, DAÑO IMPREVISTO O DERIVADO CAUSADO POR EL USO, USO INCORRECTO, O INCAPACIDAD PARA USAR EL PRESENTE PRODUCTO, INDEPENDIEMENTE DE LA TEORÍA LEGAL EN QUE SE FUNDE EL RECLAMO Y AUN CUANDO SE LE HAYA NOTIFICADO A SAMSUNG DE LA POSIBILIDAD DE TALES DAÑOS.

NINGÚN RESARCIMIENTO DE NINGUNA ÍNDOLE CONTRA SAMSUNG SUPERARÁ EL MONTO DE COMPRA DEL PRODUCTO VENDIDO POR SAMSUNG Y CAUSANTE DEL PRESUNTO DAÑO. SIN LIMITAR LO PRECEDENTE, EL COMPRADOR ASUME TODO EL RIESGO Y LA RESPONSABILIDAD POR PÉRDIDA, DAÑO O LESIÓN AL COMPRADOR Y A LOS BIENES DEL COMPRADOR Y A TERCEROS Y A SUS BIENES DERIVADOS DEL USO, USO INCORRECTO O INCAPACIDAD PARA USAR EL PRESENTE PRODUCTO. LA PRESENTE GARANTÍA LIMITADA NO SE EXTENDERÁ A NINGUNA PERSONA DISTINTA DEL COMPRADOR ORIGINAL DEL PRESENTE PRODUCTO, ES INTRANSFERIBLE Y ESTABLECE SU EXCLUSIVA REPARACIÓN.

Algunas provincias no permiten limitaciones en cuanto al plazo de una garantía implícita, o la exclusión o limitación de daños imprevistos o derivados, por lo que las limitaciones o exclusiones antedichas pueden no aplicarse en su caso.

Esta garantía le otorga derechos específicos, y además puede tener otros derechos que varían según la provincia en la que se encuentre.

Para obtener el servicio de garantía, comuníquese con SAMSUNG en:

Samsung Electronics Canada Inc.

2050 Derry Road West,

Mississauga, Ontario L5N 0B9 Canada.

1-800-SAMSUNG (726-7864)

www.samsung.com/ca/support (English)

www.samsung.com/ca_fr/support (French)

Las visitas del personal de servicio técnico para explicar funciones, mantenimiento o instalación no están cubiertas por la garantía.

Por favor, póngase en contacto con el centro de atención de Samsung para obtener ayuda con cualquiera de estos asuntos.







Scan the QR code* or visit
www.samsung.com/spsn
 to view our helpful
 How-to Videos and Live Shows

*Requires reader to be installed on your smartphone

Scan this with your smartphone

¿PREGUNTAS O COMENTARIOS?

PAÍS	LLAME AL	O VISÍTENOS EN LÍNEA EN
U.S.A	1-800-SAMSUNG (726-7864) 1-844-SAM-PAYS (726-7297)	www.samsung.com/us/support
CANADA	1-800-SAMSUNG(726-7864) 1-844-SAM-PAYS (726-7297)	www.samsung.com/ca/support (English) www.samsung.com/ca_fr/support (French)



DC68-03645H-00