



RY 492 705

Fully integrated
Width 36" (91.4 cm)
Cooling section with two doors and one fully extendable freezing drawer

Included accessories

- 1 egg holder with lid
- 1 ice cube scoop
- 1 supply hose, 51" (1.3 m) with ¼" male compression fitting (standard icemaker connector)

Installation accessories

RA 421 915
Stainless steel door panels **with handles**
For RY 492, panel thickness ¾".

RA 423 340
Side trims, 2 pieces, for RY and RB.

RA 425 110
Stainless steel handle for refrigerator door for RY 492, with 3 mounts, length 44 1/2" (1.131m).
Order quantity 2x required.

RA 425 910
Stainless steel handle for RY 492 freezer door, with 2 mounts, length 31 7/8" (810 mm).

RA 428 915
Stainless steel door panels, **handleless**
For RY 492, panel thickness ¾".

RA 460 000
Accessory for side-by-side installation. Not required if appliances are installed more than 6 5/16" apart from each other. Included in delivery for RF and RW.

RA 460 012
Additional side heating element 110 V. Required if appliances are installed with a distance greater than 5/8" and less than 6 5/16" next to each other and for all built-in situations in a very humid environment. Not required if appliances are installed more than 6 5/16" apart from each other.

RA 460 030
Connecting element for vertically split fronts (for bottom freezer combination).

RA 464 913
Ventilation grill stainless steel
For RB/RY 492.

Vario 400 series three-door bottom freezer RY 492

- Stainless steel interior with solid anthracite aluminium elements
- Warm white and glare-free LED light spots
- Opening assist for doors and freezer drawer with two options:
 1. Push-to-open function for integration into handleless furniture front
 2. Pull-to-open function to facilitate opening the door using a handle
- Flat stainless steel inner doors
- Almost invisible rail system for shelves and door bins for flexible positioning
- Solid anthracite aluminium door bins
- One fresh cooling drawer 32°F (0°C) with manually adjustable temperature control and one fresh cooling drawer with manually adjustable humidity
- Integrated ice maker with fixed inlet water connection
- One asymmetrically split glass shelf, height adjustable
- Fully extendable freezer drawer with practical divider in anthracite
- TFT touch display
- ENERGY STAR® certified
- Sabbath mode certified by Star-K
- Net volume 19.4 cu.ft. (549 liters)

Operation

TFT touch display operation.
Clear text display in 52 languages.

Features

Dynamic cold air distribution with Multi-Flow Air System.
Automatic defrosting with defrost water evaporation.
Cushioned door closing system.
Activated charcoal air filter.
When rest mode (Sabbath mode) is active, the appliance can only be opened using a handle.
Open-door and malfunction alarm.

Home network integration for digital services (Home Connect) wireless via WiFi. The use of the Home Connect functionality depends on the Home Connect services, which are not available in every country.
For further information please check: home-connect.com.

Cooling

No-Frost technology with fast cooling. Temperature adjustable from 35 °F to 46 °F (+2°C to +8°C).
1 safety glass shelf, white glass, individually adjustable in height.
1 asymmetrically split safety glass shelf, with manual height adjustment.
1 integrated shelf with satin-finished glass.
4 brilliant LED light spots with warm white, glare-free light within cooling area and drawers.
Flat door rail system with fully flexible positioning of door bins.
6 height-adjustable door bins, 2 of which are extra deep.
Net volume 13.9 cu.ft.

Optional accessories

RA 030 100
Storage container with transparent lid
RA 450 022
Water filter Vario 400.

RA 430 100
Storage container with transparent lid, anthracite

Part #11031964
Egg holder insert (for use with RA 430 100)

RA 450 022
Water filter cartridge

Part #11037377
Water filter bypass for home water filtration system

Fresh cooling close to 32°F (0°C)
1 fully extendable fresh cooling drawer close to 32 °F (0°C) with transparent front, illuminated.
Cushioned closing system.
Temperature can be adjusted manually. Ideal for meat, fish and poultry.

Fresh cooling
1 fully extendable fresh cooling drawer with transparent front, illuminated.
Cushioned closing system.
Humidity can be adjusted manually. Ideal for fruit and vegetables.

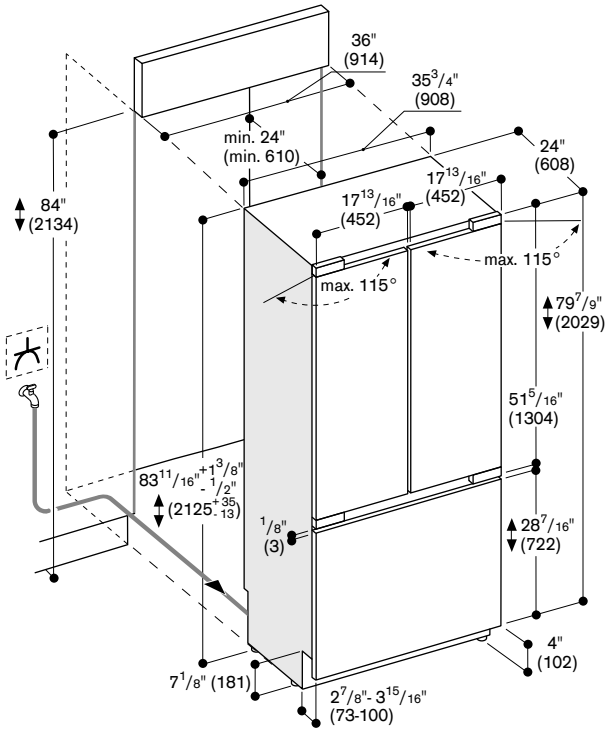
Freezer
No-frost technology with fast freezing at -22 °F (-30°C).
Temperature adjustable from 3 °F to -11 °F (-16°C to -24°C).
Freezing capacity 30.8 lbs. (14 kg)/24 h.
Storage time after a malfunction (13) h.
2 fully extendable inside drawers.
Interior lighting with 2 LED light spots, warm white light.
Net volume 5.5 cu.ft.

Ice dispenser
Integrated in the freezer compartment, with fixed water connection.
Particle filter for water inlet, integrated in ventilation grill area.
Can be switched off.
Ice cube production approx. 3.5 lb (1.6 kg)/24 h.
Removable ice storage container with approx. 6.6 lbs. (3 kg) capacity.

Consumption data
Energy consumption 579 kWh/year.
Noise level 42 dB(A) re 1 pW.

Planning notes
Flat hinge.
Door opening angle of 115°, fixable at 90°.
Max. door panel weight: Each door 147 lbs. (67 kg).
Drawer 22 lbs. (10 kg).
Shut-off valve for water connection must be planned next to the appliance and always be accessible.
If the water pressure exceeds 116 psi (8 bar), connect pressure relief valve between water tap and hose set.

Rating
Total rating 1,580 W/24 h.
Total Amps: 10 A.
Connecting cable 118" (3.0 m), detachable.
Cold water connection required.
Electrical location 6" above ground in lower left corner of unit.
Supply hose 51" (1.3 m) with ¼" male compression fitting (standard icemaker connector).
Water pressure 29 to 116 psi.



The door face dimensions are designed for a maximum gap of 1/8" (3 mm).