



RB 492 705

Fully integrated
Width 36" (91.4 cm)
Cooling section with one door and
one fully extendable freezing drawer

Included accessories

- 1 egg holder with lid
- 1 ice cube scoop
- 1 supply hose, 51" (1.3 m) with
¼" male compression fitting
(standard icemaker connector)

Installation accessories

RA 421 913

Stainless steel door panel with handle
For 36" (91.4cm) RB bottom freezer,
panel thickness ¾".

RA 423 340

Side trims, 2 pieces, for RY and RB.

RA 425 110

Stainless steel handle for refrigerator
door for RB 492, with 3 mounts,
length 44 1/2" (1.131 mm).

RA 425 910

Stainless steel handle for freezer door.
For RB 492, with 2 mounts, length
31 7/8" (810 mm).

RA 428 913

Stainless steel door panels, **handleless**
For RB 492, panel thickness ¾".

RA 460 000

Accessory for side-by-side installation.
Not required if appliances are installed
more than 6 5/16" apart from each other.
Included in delivery for RF and RW

RA 460 012

Additional side heating element 110 V.
Required if appliances are installed with
a distance greater than 5/8" and less than
6 5/16" next to each other and for all built-in
situations in a very humid environment.
Not required if appliances are installed
more than 6 5/16" apart from each other.

RA 460 030

Connecting element for vertically split
fronts (for bottom freezer combination).

RA 464 913

Ventilation grill stainless steel
For RB/RY 492.

Vario 400 series two-door bottom freezer RB 492

- Stainless steel interior with solid
anthracite aluminium elements
- Warm white and glare-free LED
light spots
- Opening assist for door and
freezer drawer with two options:
 1. Push-to-open function for
integration into handleless cabinet
front
 2. Pull-to-open function to facilitate
opening the door using a handle
- Flat stainless steel inner door,
full-length
- Almost invisible rail system for
shelves and door bins for flexible
positioning
- Solid anthracite aluminium door bins
- One fresh cooling drawer with
manually adjustable temperature
and one fresh cooling drawer with
manually adjustable humidity
- Integrated automatic ice maker with
fixed water connection"
- Fully extendable freezer drawer
with practical divider in anthracite
- TFT touch display
- ENERGY STAR® certified
- Sabbath mode certified by Star-K
- Net volume 19.5 cu.ft.

Operation

TFT touch display operation.
Clear text display in 52 languages.

Features

Dynamic cold air distribution with
Multi-Flow Air System.
Automatic defrosting with defrost
water evaporation.
Cushioned door closing system.
Activated charcoal air filter.
When rest mode (Sabbath mode)
is active, the appliance can only be
opened using a handle.
Open-door and malfunction alarm.

Home network integration for digital
services (Home Connect) wireless via
WiFi. The use of the Home Connect
functionality depends on the Home
Connect services, which are not
available in every country.
For further information please check:
home-connect.com.

Cooling

No-Frost technology with fast cooling.
Temperature adjustable from
35 °F to 46 °F (from +2 °C to +8 °C).
2 safety glass shelves, white glass,
individually adjustable in height.
1 integrated shelf with satin-finished
glass.
4 brilliant LED light spots with warm
white, glare-free light within cooling
area and drawers.
Flat door rail system with fully flexible
positioning of door bins.
3 height-adjustable door bins, one of
which is a large gallon door bin.
Net volume 14 cu.ft.

Optional accessories

RA 430 100

Storage container with transparent lid,
anthracite

Part #11031964

Egg holder insert (for use with RA
430 100)

RA 450 022

Water filter cartridge

Part #11037377

Water filter bypass for home water
filtration system

Fresh cooling close to 32 °F (0 °C)

1 fully extendable fresh cooling drawer
close to 32 °F (0 °C) with transparent
front, illuminated.
Cushioned closing system.
Temperature can be adjusted manually.
Ideal for meat, fish and poultry.

Freezing

No-frost technology with fast freezing at
-22 °F (-30 °C).
Temperature adjustable from
3 °F to -11 °F (-16 °C to -24 °C).
Freezing capacity 30.8 lbs. (14 kg)/24 h.
2 fully extendable drawers, one of them
inside. Outer drawer with synchronously
running pull-out rails.
Storage time after a malfunction (13) h.
Interior lighting with 2 LED light spots,
warm white light.
Net volume 5.5 cu.ft.

Ice maker

Integrated ice maker in the freezer
compartment, with fixed inlet water
connection.
Particle filter for water inlet, integrated
in ventilation grille area.
Can be switched off.
Ice cube production approx.
3.5 lb (1.6 kg)/24 h.
Removable ice storage container with
approx. 6.6 lbs. (3 kg) capacity.

Consumption data

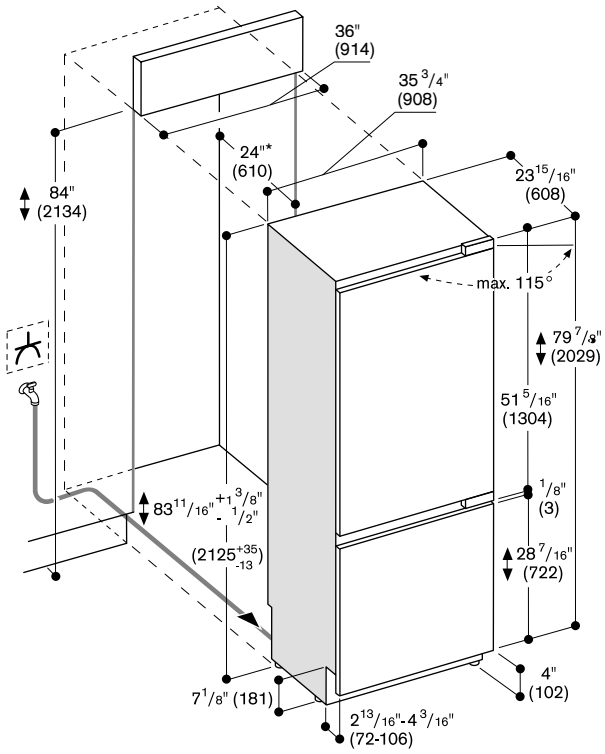
Energy consumption 504 kWh/year.
Noise level 42 dB(A) re 1 pW.

Planning notes

Flat hinge.
Door hinge right, reversible.
Door opening angle of 115°,
fixable at 90°.
Max. door panel weight:
Door 103 lbs (47 kg).
Drawer 22 lbs (10 kg).
Shut-off valve for water connection
must be planned next to the appliance
and always be accessible.
If the water pressure exceeds 116 psi,
connect pressure relief valve between
water tap and hose set.

Rating

Total rating: 1,380 W/24h.
Total Amps: 10 A.
Connecting cable 118" (3.0 m),
detachable.
Cold water connection required.
Electrical location 6" above ground in
lower left corner of unit.
Supply hose 51" (1.3 m) with ¼" male
compression fitting (standard icemaker
connector).
Water pressure 29 to 116 psi.



The door face dimensions are designed for a maximum gap of $\frac{1}{8}$ " (3 mm).