

INSTALLATION INSTRUCTIONS

FRONT CONTROL FREESTANDING ELECTRIC RANGE

INSTALLATION AND SERVICE MUST BE PERFORMED BY A QUALIFIED INSTALLER.
IMPORTANT: SAVE FOR LOCAL ELECTRICAL INSPECTOR'S USE.
READ AND SAVE THESE INSTRUCTIONS FOR FUTURE REFERENCE.



⚠ WARNING FOR YOUR SAFETY: Do not store or use gasoline or other flammable vapors and liquids in the vicinity of this or any other appliance.



IMPORTANT SAFETY INSTRUCTIONS

⚠ WARNING If the information in this manual is not followed exactly, a fire or electrical shock may result causing property damage, personal injury or death.

Important Notes to the Installer:

- Read all instructions contained in these installation instructions before installing range.
- Remove all packing material from the oven compartments before connecting the gas & electrical supply to the range.
- Observe all governing codes and ordinances.
- Be sure to leave these instructions with the consumer.

Important Notes to the Consumer:

Keep these instructions with your owner's guide for future reference.

- As when using any appliance generating heat, there are certain safety precautions you should follow. These are listed in the [Use & Care Guide](#), read it carefully.
- Be sure your range is installed and grounded properly by a qualified installer or service technician.
- Make sure the wall coverings around the range can withstand the heat generated by the range.
- To eliminate the need to reach over the surface elements, cabinet storage space above the elements should be avoided.

⚠ WARNING Tip Over Hazard

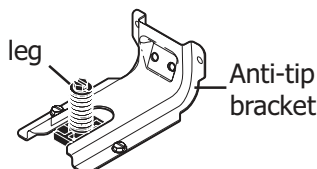


- A child or adult can tip the range and be killed.
- Verify the anti-tip device has been installed to floor or wall.

- Ensure the anti-tip device is re-engaged to floor or wall when the range is moved.
- Do not operate the range without the anti-tip device in place and engaged.
- Failure to follow these instructions can result in death or serious burns to children and adults.



Range leveling leg



Anti-tip bracket

To check if the anti-tip bracket is installed properly, use both arms to grasp the rear edge of the range back. Carefully attempt to tilt range forward. When properly installed, the range should not tilt forward.

Refer to the anti-tip bracket installation instructions supplied with your range for proper installation.

30" ELECTRIC FRONT CONTROL FREESTANDING INSTALLATION INSTRUCTIONS

1. Clearances and Dimensions

- Provide adequate clearances between the range and adjacent combustible surfaces.
- Location—Check location where the range will be installed. Check for proper electrical supply and the stability of floor.
- Dimensions that are shown must be used. Given dimensions provide minimum clearance. Contact surface must be solid and level.

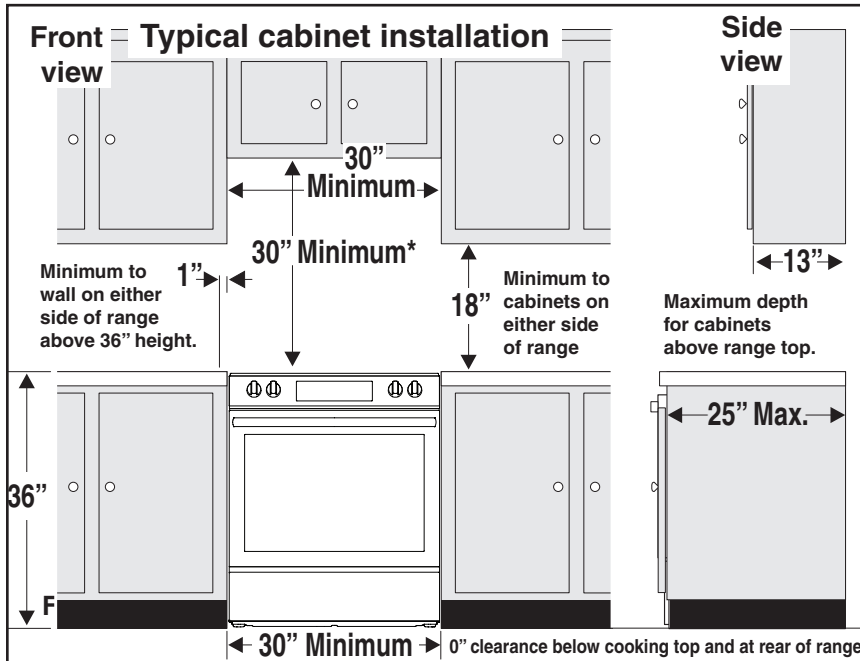


Fig. 1

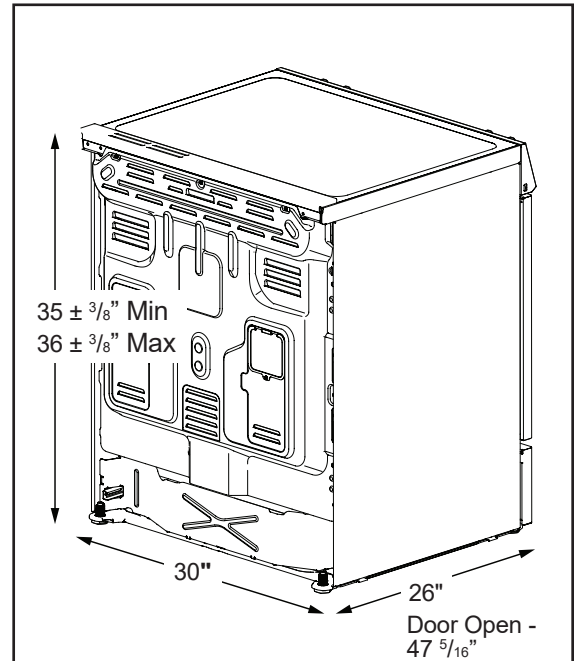


Fig. 2

*30" (762 mm) MINIMUM CLEARANCE BETWEEN THE TOP OF THE COOKING SURFACE AND THE BOTTOM OF AN UNPROTECTED WOOD OR METAL CABINET; OR 24" (610 mm) MINIMUM WHEN BOTTOM OF WOOD OR METAL CABINET IS PROTECTED BY NOT LESS THAN 1/4" (6 mm) FLAME RETARDANT MILLBOARD COVERED WITH NOT LESS THAN NO. 28 MSG SHEET STEEL, 0.015" (0.4 mm) STAINLESS STEEL, 0.024" (0.6 mm) ALUMINUM OR 0.020" (0.5 mm) COPPER. 0" (0 mm) CLEARANCE IS THE MINIMUM FOR THE REAR OF THE RANGE. FOLLOW ALL DIMENSION REQUIREMENTS PROVIDED ABOVE TO PREVENT PROPERTY DAMAGE, POTENTIAL FIRE HAZARD, AND INCORRECT COUNTERTOP AND CABINET CUTS.

TO ELIMINATE THE RISK OF BURNS OR FIRE BY REACHING OVER HEATED SURFACE UNITS, CABINET STORAGE SPACE LOCATED ABOVE THE SURFACE UNITS SHOULD BE AVOIDED. IF CABINET STORAGE IS TO BE PROVIDED, THE RISK CAN BE REDUCED BY INSTALLING A RANGE HOOD THAT PROJECTS HORIZONTALLY A MINIMUM OF 5" (127 mm) BEYOND THE BOTTOM OF THE CABINETS.

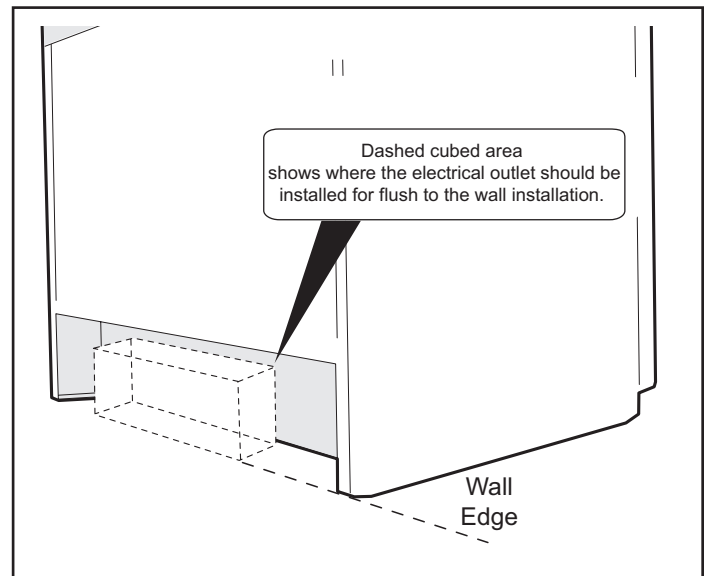


Fig. 3

30" ELECTRIC FRONT CONTROL FREESTANDING INSTALLATION INSTRUCTIONS

2. Tools You Will Need

For leveling legs and Anti-Tip Bracket:

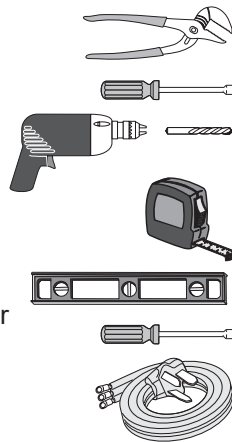
- Adjustable wrench or channel lock pliers
- 5/16" Nutdriver or Flat Head Screwdriver
- Electric Drill & 1/8" Diameter Drill Bit (Masonry Drill Bit if installing in concrete)
- Level & Measuring Tape

For electrical supply connection:

- 1/4" & 3/8" Socket driver or Nutdriver

Additional Materials You Will Need:

- Power Supply Cord or
- Copper Electrical Wiring & Metal Conduit (for hard wiring)



3. Anti-Tip Bracket Installation Instructions

⚠ WARNING To reduce the risk of tipping of the range, the range should be secured to the floor by properly installed anti-tip bracket and screws packed with the range. Failure to install the anti-tip bracket will allow the range to tip over if excessive weight is placed on an open door or if a child climbs upon it. Serious injury might result from spilled hot liquids or from the range itself.

If range is ever moved to a different location, the anti-tip brackets must also be moved and installed with the range.

Instructions are provided for installation in wood or cement fastened to either the floor or wall. When installed to the wall, make sure that screws completely penetrate dry wall and are secured in wood or metal. When fastening to the floor or wall, be sure that screws do not penetrate electrical wiring or plumbing.

A. Locate the Bracket Using the Template - (Bracket may be located on either the left or right side of the range. Use the information below to locate the bracket if template is not available). Mark the floor or wall where left or right side of the range will be located. If rear of range is against the wall or no further than 1-13/16" (46 mm) from wall when installed, you may use the wall or floor mount method. If molding is installed and does not allow the bracket to fit flush against the wall, remove molding or mount bracket to the floor. For wall mount, locate the bracket by placing the back edge of the template against the rear wall and the side edge of template on the mark made referencing the side of the range. Place bracket on top of template and mark location of the screw holes in wall.

If rear of range is further than 1-13/16" (46 mm) from the wall when installed, attach bracket to the floor. For floor mount, locate the bracket by placing back edge of the template where the rear of the range will be located. Mark the location of the screw holes, shown in template.

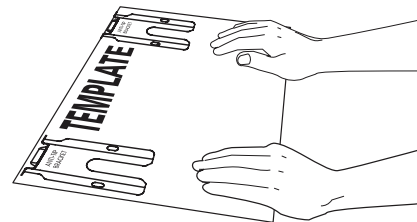


Fig. 4

B. Drill Pilot Holes and Fasten Bracket - Drill a 1/8" (3 mm) pilot hole where screws are to be located. If bracket is to be mounted to the wall, drill pilot hole at an approximate 20° downward angle. If bracket is to be mounted to masonry or ceramic floors, drill a 5/32" (4 mm) pilot hole 1-3/4" (44 mm) deep. The screws provided may be used in wood or concrete material. Use a 5/16" (8 mm) nut-driver or flat head screwdriver to secure the bracket in place.

FASTEN BRACKET (FLOOR MOUNTING ONLY)

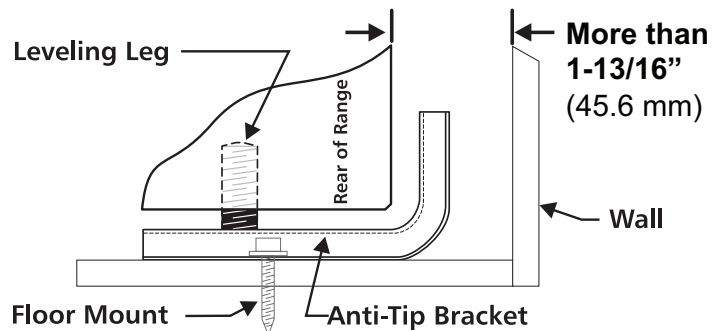


Fig. 5

FASTEN BRACKET (WALL OR FLOOR MOUNTING)

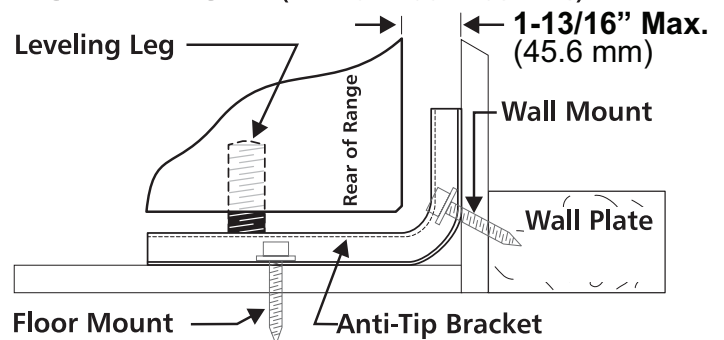


Fig. 6

30" ELECTRIC FRONT CONTROL FREESTANDING INSTALLATION INSTRUCTIONS

C. Level and Position Range - Level range by adjusting the (4) leveling legs with a wrench. Note: A minimum clearance of 1/8" (3 mm) is required between the bottom of the range and the leveling leg to allow room for the bracket. Use a spirit level to check your adjustments. Slide range back into position. Visually check that rear leveling leg is inserted into and fully secured by the Anti-Tip Bracket by removing lower panel or storage drawer.

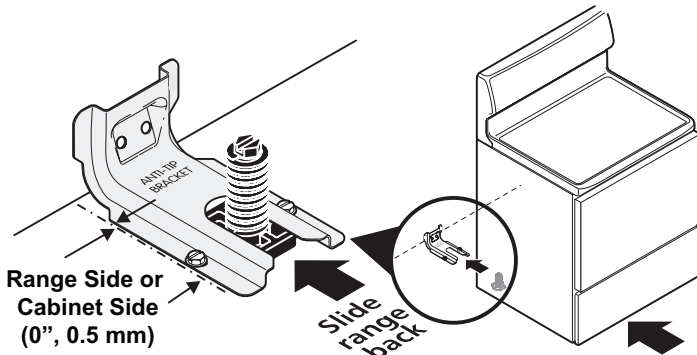


Fig. 7

4. Electrical Connection Requirements

⚠ WARNING Avoid fire hazard or electrical shock. Failure to follow this warning may casue serious injury, fire, or death.

This appliance must be properly installed and grounded by a qualified technician in accordance with the National Electrical Code ANSI/NFPA No. 70 or Canadian Electrical Code (CSA Standard (C22.1 Part 1) latest editions, and Local Electrical Code requirements.

For personal safety, this appliance must be properly grounded. For maximum safety, the power cord must be plugged into an electrical outlet that is correct voltage, is correctly polarized and properly grounded in accordance with local codes.

It is the personal responsibility of the consumer to have the appropriate outlet with the correct, properly grounded wall receptacle installed by a qualified electrician.

5. Models Including Power Cord (Canada)

Plug the 4-prong range power cable into a properly grounded, 240V wall outlet.

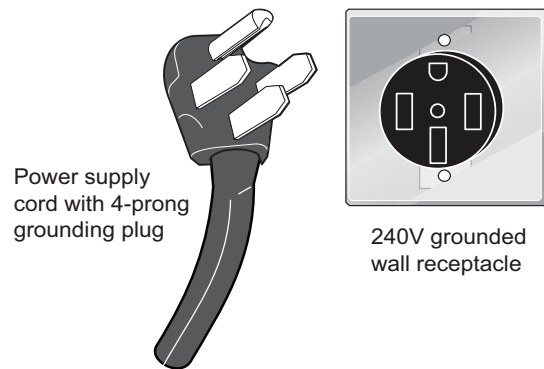


Fig. 8

6. Installing Power Cords (United States)

RISK OF FIRE OR ELECTRICAL SHOCK MAY OCCUR IF AN INCORRECT SIZE RANGE CORD KIT IS USED, THE INSTALLATION INSTRUCTIONS ARE NOT FOLLOWED OR STRAIN RELIEF BRACKET IS DISCARDED.

This appliance may be connected by means of a power supply cord. Use a power supply cord kit rated at 125/250 volts minimum, marked for use with ranges.

Range Connection Opening Size Chart				
Supply Cord Kit ampere rating information. See serial plate on range for kilowatt rating data.				
See Serial Plate on Range for KW Rating	Cord Kit Ampere Rating	Diameter (inches) of Range connection Opening		
		Cord Kit	Permanent Wiring	
120/240 Volts 120/208 Volts				
8.8-16.5 KW 16.6-22.5 KW	40/50 Amp 50 Amp	1-3/8 in. 1-3/8 in.	1-1/8 in. 1-3/8 in.	

Fig. 9

Cord must have either three (3) or four (4) conductors. Terminals on end of wires must be either closed loop or open-end spade lugs with upturned ends.



Required for new and remodeled installations

4-Wire Wall receptacle (14-50R)



Allowed for existing installations

3 Wire Wall receptacle (10-50R)

Fig. 10

Cord must have strain relief properly installed.

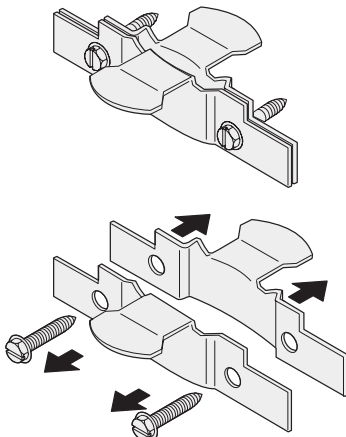


Fig. 11

Access the Terminal Block

1. Remove the access cover and bracket from the back of the appliance. Keep all pieces and the screws.

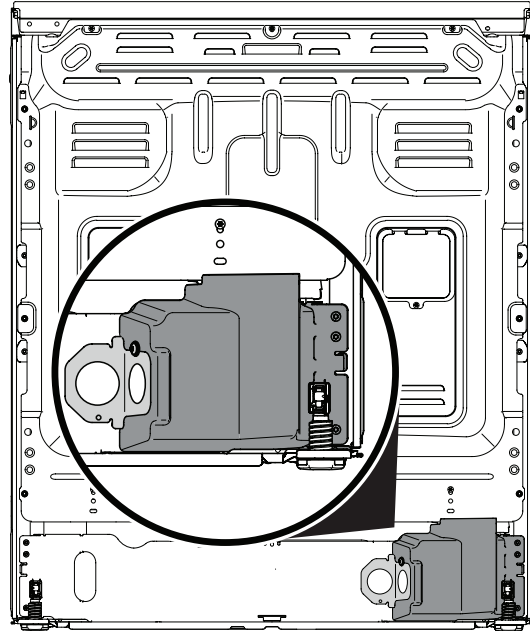


Fig. 12

2. Pull the cord terminals through the correct hole in the bracket included with the appliance.
3. Connect the terminals to the terminal block as instructed for 3-wire, 4-wire, or permanent connections. See the next section for specific instructions for each connection.
4. Place the strain relief through the included bracket and tighten against the power cord.
5. Replace the bracket and access cover on the appliance.

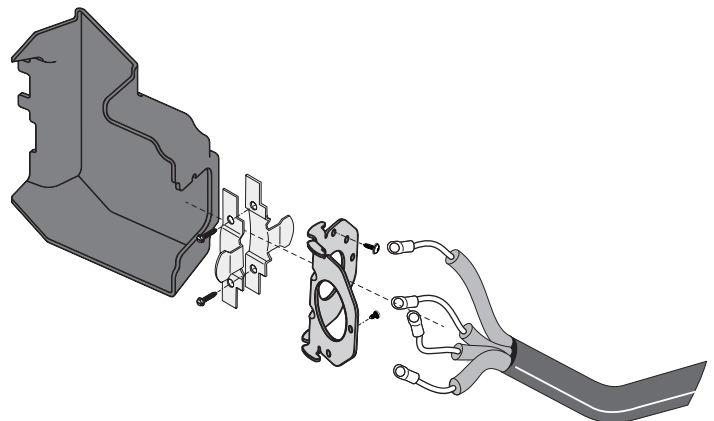


Fig. 13

30" ELECTRIC FRONT CONTROL FREESTANDING INSTALLATION INSTRUCTIONS

4-Wire Power Cord Connection (New branch-circuit or mobile home)

1. Insert the end connectors for Line 1, Line 2 and Neutral and tighten securely to the terminal block. **IMPORTANT NOTE: DO NOT LOOSEN** the factory installed nut connections which secure the range wiring to the terminal block. Electrical failure or loss of electrical connection may occur if these nuts are loosened or removed.
2. You must disconnect the ground strap. Remove the factory installed ground screw and plate to release the copper ground strap from the frame of the appliance. Cut and discard the copper ground strap and plate. Keep the ground screw.
3. Connect the GREEN ground wire lead with the eyelet to the frame of the appliance with the ground screw using the same hole in the frame where the ground screw was originally installed.
4. Follow the manufacturer's installation instructions supplied with the strain relief and install.
5. Make sure all screws are tightened securely and replace the rear access cover.

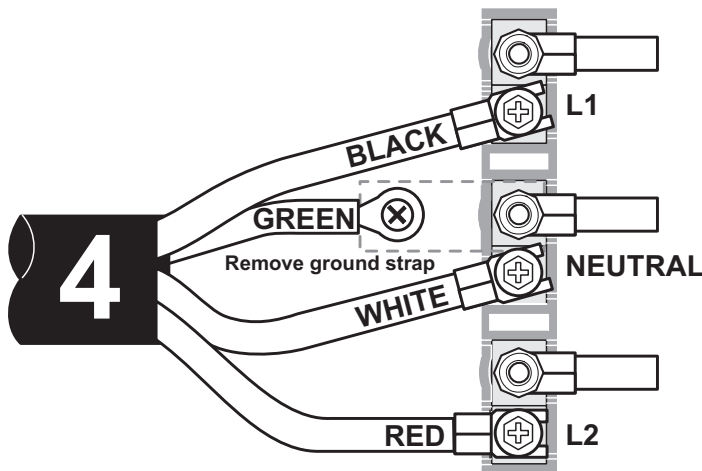


Fig. 14

NOTE: Internal white wire not present on all models.

3-Wire Power Cord Connection (Existing installations ONLY)

A ground strap is installed on this range which connects the center terminal of the terminal block (Neutral) to the range chassis. The ground strap is connected to the range by the center screw (see Fig. 15). The ground strap must not be removed unless National, State or Local Codes do not permit use of a ground strap.

NOTE: If the ground strap is removed for any reason, a separate ground wire must be connected to the separate ground screw attached to the range chassis and to an adequate ground source.

1. Insert the end connectors for Line 1, Line 2 and Neutral and tighten securely to the terminal block. **IMPORTANT NOTE: DO NOT LOOSEN** the factory installed nut connections which secure the range wiring to the terminal block. Electrical failure or loss of electrical connection may occur if these 3 nuts are loosened or removed.
2. Follow the manufacturer's installation instructions supplied with the strain relief and install.
3. Make sure all connections are tightened securely and replace the rear access cover.

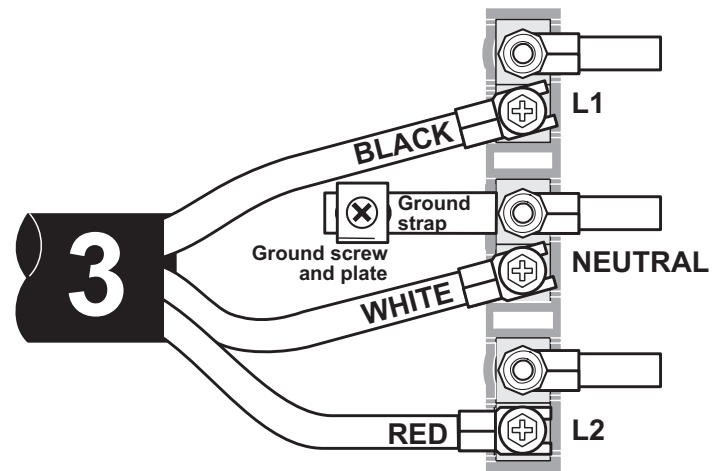


Fig. 15

NOTE: Internal white wire not present on all models.

30" ELECTRIC FRONT CONTROL FREESTANDING INSTALLATION INSTRUCTIONS

3-Wire and 4-Wire Permanent Connection

This appliance may be connected by means of permanent wiring.

When installing permanent wiring, do not leave excess wire in range compartment. Excess wire in the range compartment may not allow the rear access cover to be replaced properly and could create a potential electrical hazard if wires become pinched. Connect only as instructed. When using flexible conduit or range cable use flex connector or range cable strain relief.

1. Strip insulation away from the ends of the permanent wiring for Line 1, Line 2, Neutral (also strip ground wire on 4-Wire Connections). Tighten all wire leads to the terminal block (Follow wire locations shown in Fig. 16). **IMPORTANT NOTE: DO NOT LOOSEN** the factory installed nut connections which secure the range wiring to the terminal block. Electrical failure or loss of electrical connection may occur if these nuts are loosened or removed.
2. (4-Wire Permanent Connection ONLY) Disconnect the ground strap. Remove the factory installed ground screw and plate to release the factory installed copper ground strap from frame of the appliance. Cut and discard the copper strap from the terminal block. Keep the ground screw and ground plate.
3. (4-Wire Permanent Connection ONLY) Connect the ground wire lead (Green) to the frame of the appliance using the ground screw & plate as shown in Fig. 17. Be sure to install using the same hole in the frame where the ground screw was originally installed.
4. Follow the manufacturer's installation instructions supplied with the strain relief and install.
5. Make sure all connections are tightened securely and replace the rear access cover.

NOTE: Non-terminated field wire compression connections must be set at 22 in./lbs. or greater. Always use 10 gauge wire or larger.

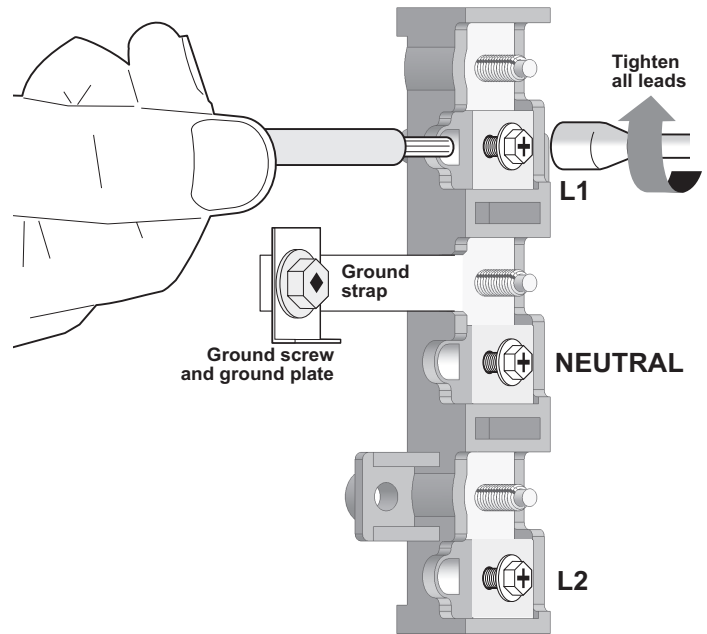


Fig. 16

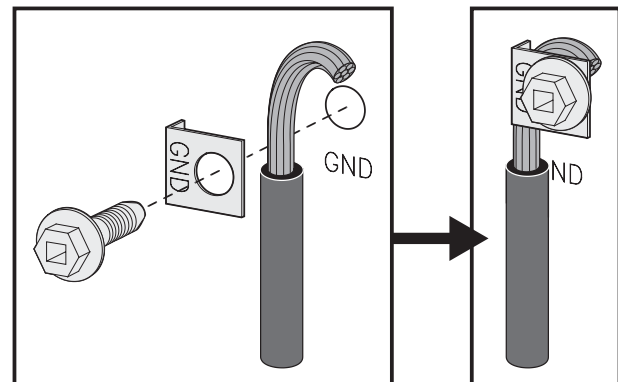


Fig. 17

7. Carefully Slide Range Into Final Location

Be sure to provide all the adequate clearances and dimensions before moving appliance into final location.

Carefully slide range into final position while inserting rear leveling leg into the anti-tip bracket. Make sure the power cord folds into the remaining open floor area behind the range. Be sure to check the level of the range.

Model and Serial Number Location

The serial plate is located on the front of the appliance, visible when the door is opened.

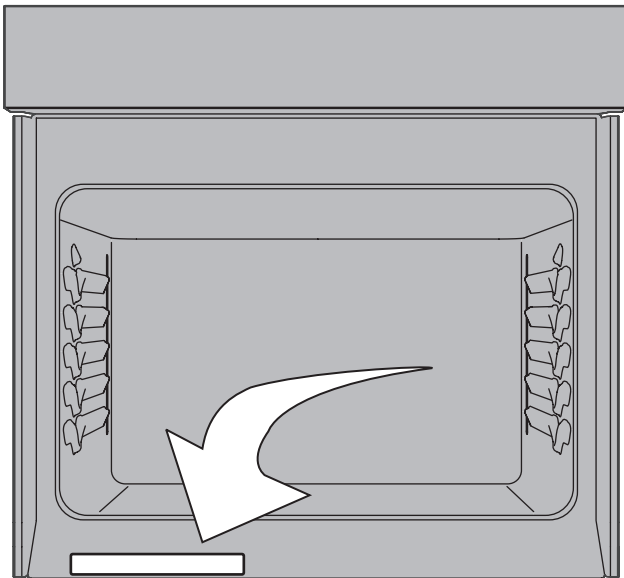


Fig. 18

When ordering parts for or making inquiries about your range, always be sure to include the model and serial numbers and a lot number or letter from the serial plate on your range.

Your serial plate also tells you the Kilowatt rating (power requirements) and Voltage ratings.

Care, Cleaning and Maintenance

Refer to the Use & Care Manual for cleaning instructions.

If removing the range is necessary for cleaning or maintenance, disconnect the electrical power supply. If the electrical supply is inaccessible, lift the unit slightly at the front and pull out away from the wall. Pull only as far as necessary to disconnect the electrical supply. Finish removing the unit for servicing and cleaning.

Before You Call for Service

Read the "Before You Call" and operating instruction sections in your Use & Care Manual. It may save you time and expense. The list includes common occurrences that are not the result of defective workmanship or materials in this appliance.

Refer to the warranty in your Use & Care Manual for our toll-free service number and address. Please call or write if you have inquiries about your range product and/or need to order parts.

INSTRUCCIONES DE INSTALACION

LA ESTUFA ELECTRICA DE 30"

LA INSTALACION Y EL SERVICIO DEBEN SER EFECTUADOS POR UN INSTALADOR CALIFICADO. **IMPORTANTE: CONSERVE ESTAS INSTRUCCIONES PARA USO DEL INSPECTOR LOCAL DE ELECTRICIDAD. LEA Y CONSERVE ESTAS INSTRUCCIONES PARA REFERENCIA FUTURA.**



! ADVERTENCIA PARA SU SEGURIDAD: No almacene ni use gasolina u otros vapores y líquidos inflamables cerca de este o cualquier otro electrodoméstico.



INSTRUCCIONES IMPORTANTES DE SEGURIDAD

! ADVERTENCIA Si no se sigue estrictamente la información de este manual, se puede producir un incendio o un choque eléctrico que cause daños materiales, lesiones corporales o fatales.

Notas Importantes para el Instalador:

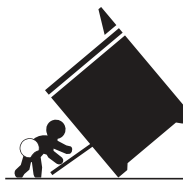
- Lea todas las instrucciones indicadas en estas instrucciones de instalación antes de instalar la estufa.
- Saque todo el material de empaque del compartimiento del horno antes de conectar el suministro de gas y de electricidad a la estufa.
- Observe todos los códigos y reglamentos vigentes.
- Asegúrese de dejar estas instrucciones con el usuario.

Aviso importante al consumidor:

- Mantenga estas instrucciones con su Guía de Uso y Cuidado para referencia futura.
- Al igual que con cualquier electrodoméstico que genere calor, existen ciertas precauciones de seguridad que usted debe seguir. Tales precauciones se encuentran en la Guía de Uso y Cuidado, léala atentamente.
- Asegúrese de que la estufa esté bien instalada y sea puesta a tierra en forma debida por un instalador calificado o un técnico de servicio.
- Asegúrese de que el revestimiento de la pared alrededor de la estufa pueda resistir el calor generado por la estufa.
- Para eliminar la necesidad de tener que pasar sobre los elementos, se recomienda no instalar armarios arriba los elementos de la cubierta de la estufa.

! ADVERTENCIA

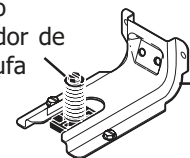
Riesgo de volcamiento



- Un niño o adulto puede volcar la estufa y acabar muerto.
- Verifique que se haya instalado el dispositivo antivuelco en el piso o en la pared.
- Asegúrese de que el dispositivo antivuelco se haya reemplazado cuando mueva la estufa sobre el piso o a la pared.
- No utilice la estufa sin el dispositivo antivuelco instalado y acoplado.
- Si no se siguen estas instrucciones, se puede provocar la muerte o quemaduras graves en niños y adultos.



Tornillo nivelador de la estufa



Soporte antivuelco

Para verificar si el soporte antivuelco está instalado correctamente, sostenga el borde trasero de la parte trasera de la estufa usando ambos brazos. Intente inclinar la estufa hacia adelante con cuidado. Si está instalada correctamente, la estufa no debería inclinarse hacia adelante.

Consulte las instrucciones de instalación del soporte antivuelco proporcionadas con la estufa para instalarlo adecuadamente.

INSTRUCCIONES DE INSTALACION PARA LA ESTUFA ELECTRICA DE 30"

1. Espacios y dimensiones

- Proporcione espacios adecuados entre la estufa y las superficies combustibles adyacentes.
- Ubicación—Examine el lugar en el cual va a ser instalada la estufa. Determine la existencia de suministro eléctrico adecuado y la estabilidad del piso.
- Se deben usar las medidas indicadas. Las dimensiones indicadas proporcionan espacio mínimo. La superficie de contacto debe ser sólida y estar a nivel

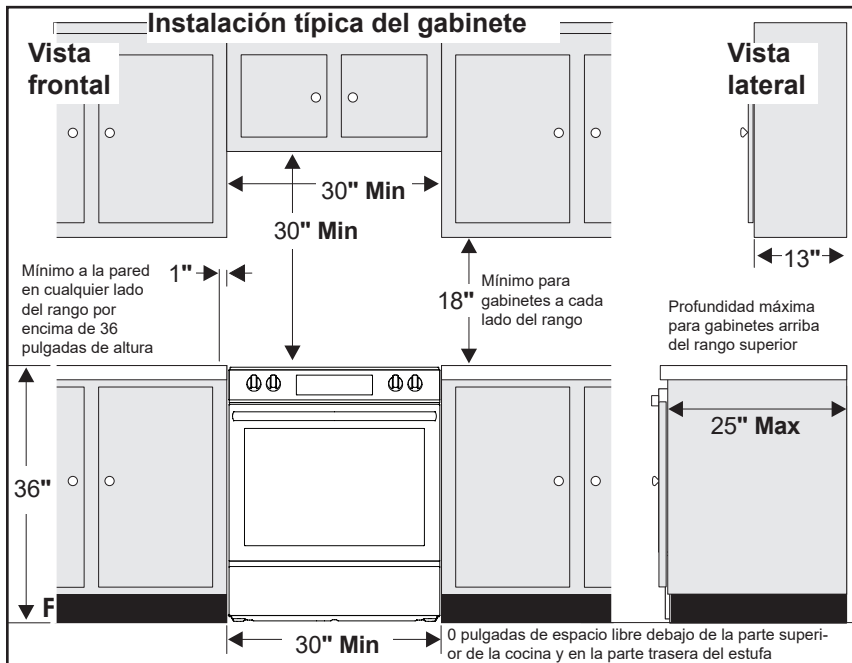


Fig. 1

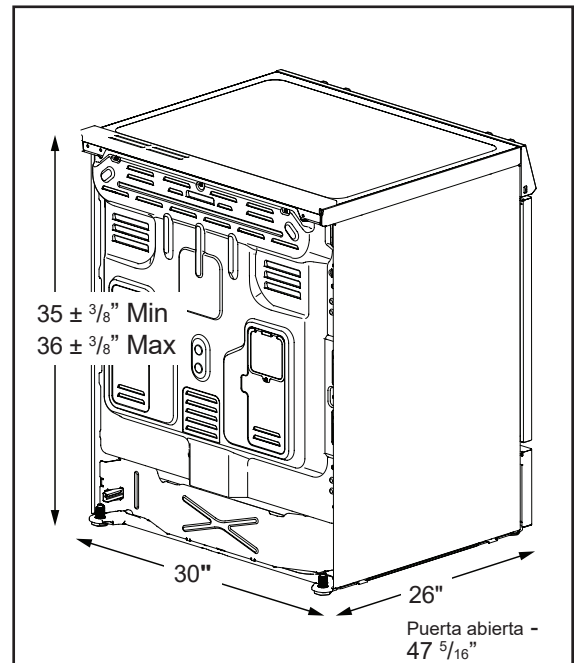


Fig. 2

*ESPACIO LIBRE MINIMO DE 30" ENTRE LA CUBIERTA DE COCINAR DE LA ESTUFA Y LA PARTE INFERIOR DE UN ARMARIO DE METAL O DE MADERA NO PROTEGIDO; O 24" MINIMO CUANDO LA PARTE INFERIOR DE UN ARMARIO DE METAL O DE MADERA ESTA PROTEGIDA CON CARTON RETARDANTE A LAS LLAMAS DE NO MENOS DE 1/4" CUBIERTO CON CHAPA DE ACERO NO INFERIOR AL NO. 28 MSG, ACERO INOXIDABLE DE 0.015", ALUMINO DE 0.024" O COBRE DE 0.020". EL ESPACIO LIBRE DE 0" ES EL MINIMO PARA LA PARTE TRASERA DE LA ESTUFA. SIGA TODAS LAS DIMENSIONES INDICADAS ANTERIORMENTE PARA EVITAR DAÑOS MATERIALES, RIESGOS DE INCENDIO Y CORTES INCORRECTOS DE LOS ARMARIOS Y DE LAS MESADAS.

PARA ELIMINAR EL RIESGO DE QUEMADURAS O INCENDIOS AL PASAR SOBRE LOS ELEMENTOS CALIENTES, SE DEBE EVITAR COLOCAR ARMARIOS DE ALMACENAMIENTO SOBRE LA ESTUFA. SI SE INSTALAN ARMARIOS SOBRE LA ESTUFA, SE PUEDEN REDUCIR TALES RIESGOS INSTALANDO UNA CAMPANA EXTRACTORA QUE SE PROYECTE HORIZONTALMENTE UN MINIMO DE 5" MAS AFUERA DE LA PARTE INFERIOR DE LOS ARMARIOS.

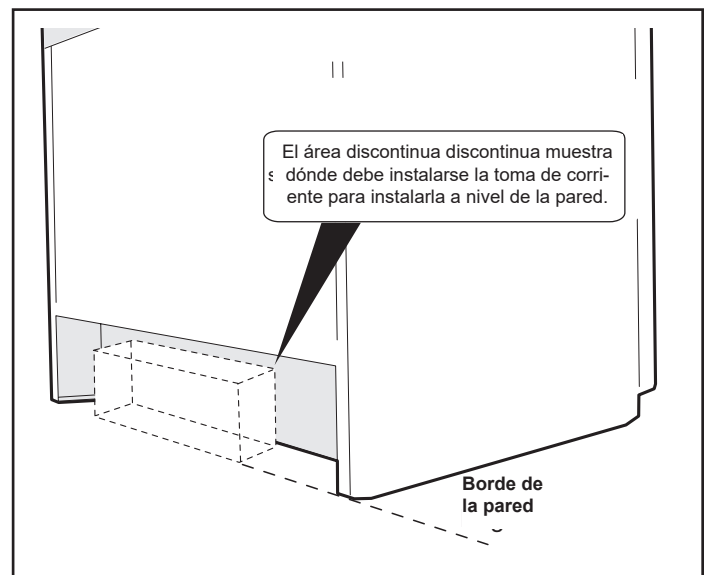


Fig. 3

INSTRUCCIONES DE INSTALACION PARA LA ESTUFA ELECTRICA DE 30"

2. Herramientas que va a necesitar

Para patas de nivelación y montura anti-vuelco

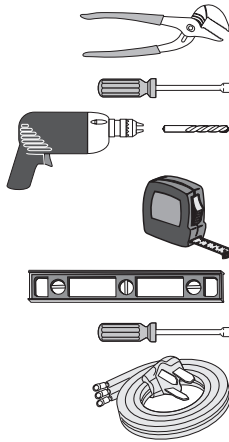
- Llave ajustable o alicates
- Llave para apretar tuercas de 5/16" o un destornillador de cabeza plana
- Taladro eléctrico y una broca de 1/8" (broca de taladro de hormigón de 5/32" si se instala sobre hormigón)
- Nivel & Cinta de medición

Para la conexión del suministro eléctrico:

- Llave de boca tubular o llave para tuercas de 1/4" y 3/8"

Materiales adicionales necesarios

- Cordón eléctrico o Alambre eléctrico de cobre y conducto metálico (para alambrado permanente)



3. Instrucción para la instalación de las fijaciones de anti-inclinación

ADVERTENCIA Para reducir el riesgo de inclinación de la cocina, ésta debe ser asegurada hacia el piso con las fijaciones de anti-inclinación y los tornillos que vienen con la cocina. Si no instala las fijaciones, corre el riesgo que su cocina pueda inclinarse si pone demasiado peso sobre la puerta abierta o si un niño sube sobre ésta. Esto podría ocasionar graves lesiones causadas por derrames de líquidos calientes o por la propia cocina.

Si la cocina es trasladada a otro lugar, las fijaciones de anti-inclinación deben también ser trasladadas y instaladas con la cocina.

Las instrucciones provistas sirven para instalación en suelo de madera o concreto. Al fijar los tornillos al suelo, asegúrese que no atraviesen la instalación eléctrica o de fontanería.

- A. Ubicación del soporte utilizando la plantilla - (El soporte puede ser ubicado ya sea en el lado izquierdo o derecho de la estufa. Use la información indicada a continuación para colocar el soporte si no se dispone de la plantilla). Marque el piso o la pared donde se colocará el costado izquierdo o derecho de la estufa. Si la parte trasera de la estufa será colocada contra la pared o a no más de 1-13/16" (46 mm) de la pared cuando ya esté instalada, usted puede usar el método de instalación en el piso o en la pared. Si tiene moldura instalada y ésta no permite que el soporte quede a ras contra la pared, retire la moldura o instale el soporte en el piso. Para el montaje en la pared, ubique la plantilla colocando el borde trasero de la plantilla contra la pared trasera y el borde lateral de la plantilla en la marca hecha indicando el costado de la estufa. Coloque el soporte sobre la plantilla y marque la

ubicación de los agujeros de los tornillos en la pared. Si la parte trasera de la estufa está a más de 1-13/16" (46 mm) de la pared cuando ya está instalada, instale el soporte en el piso. Para el montaje en el piso, ubique el soporte colocando el borde trasero de la plantilla donde quedará ubicada la parte trasera de la estufa. Marque la ubicación de los agujeros de los tornillos mostrados en la plantilla.

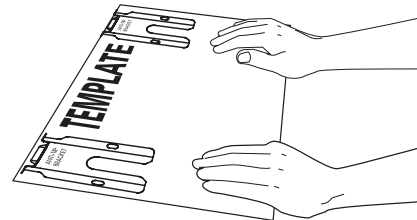


Fig. 4

- B. Taladre agujeros pilotos e instale el soporte - Taladre un agujero piloto de 1/8" donde se vayan a instalar los tornillos. Si el soporte va a ser instalado en la pared, taladre un agujero piloto en un ángulo descendente de aproximadamente 20°. Si el soporte va a ser instalado en pisos de mampostería o de cerámica, taladre un agujero piloto de 5/32" y 1-3/4" (44 mm) de profundidad. Los tornillos provistos pueden ser usados en materiales de madera o concreto. Use una llave de tuerca de 5/16" (8 mm) o un destornillador de punta plana para asegurar el soporte en su lugar.

ASEGURE EL SOPORTE (montaje en el piso solamente)

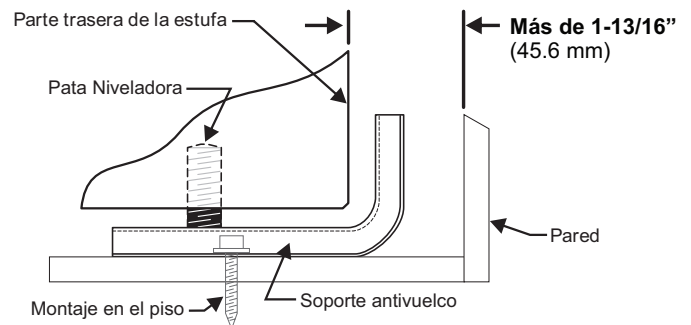


Fig. 5

ASEGURE EL SOPORTE (montaje en la pared o en el piso)

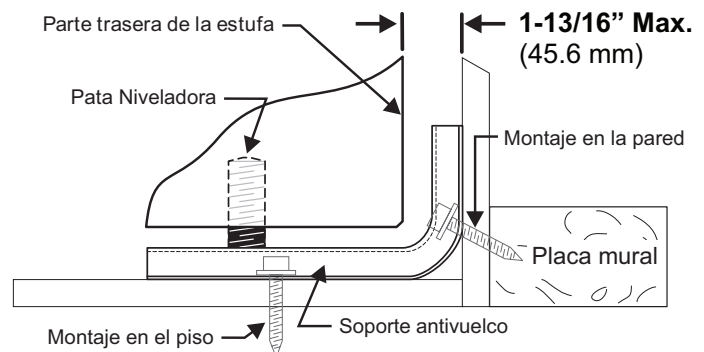


Fig. 6

INSTRUCCIONES DE INSTALACION PARA LA ESTUFA ELECTRICA DE 30"

- C. Nivele y ubique la estufa - Nivele la estufa ajustando los cuatro (4) tornillos niveladores con una llave. Nota: Se debe dejar un espacio libre mínimo de 1/8" (3 mm) entre la parte inferior de la estufa y los tornillos niveladores a fin de dejar espacio para instalar el soporte. Use un nivel de burbuja de aire para verificar los ajustes. Deslice la estufa de nuevo a su lugar. Verifique visualmente si el tornillo nivelador trasero está insertado y firmemente asegurado por el soporte antivuelco retirando el panel inferior o la gaveta de almacenamiento.

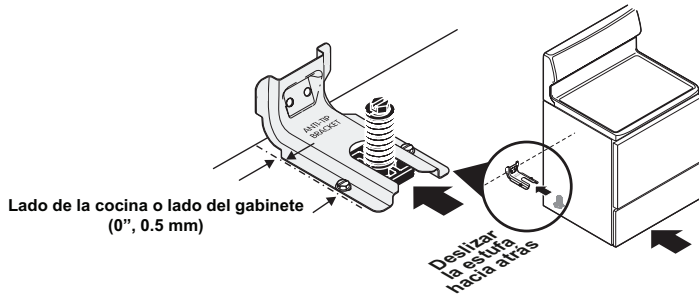


Fig. 7

4. Requisitos de conexión eléctrica

⚠ ADVERTENCIA Evite peligro de incendio o descarga eléctrica. El incumplimiento de esta advertencia puede causar lesiones graves, incendios o la muerte.

Este aparato debe estar instalado en forma apropiada y puesto a tierra por un técnico calificado, de acuerdo con el National Electric Code (Código Nacional de Electricidad) ANSI/NFPA No. 70 o el Canadian Electrical Code (Código Eléctrico Canadiense) CSA Standard C22.1 Part 1, última ediciones, y con los requerimientos de electricidad de los códigos locales.

Para su seguridad personal, el electrodoméstico debe estar debidamente conectado a tierra. Para una máxima seguridad, el cable de alimentación debe estar enchufado a una toma de corriente correctamente polarizada y debidamente puesta a tierra de acuerdo con los códigos locales.

El consumidor tiene la responsabilidad personal de asegurarse de que un electricista calificado instala la toma adecuada con un receptáculo de pared debidamente puesto a tierra.

5. Modelos con cable de alimentación (Canadá)

Enchufe el cable de alimentación de la estufa de 4 clavijas en un tomacorriente de pared de 240 V debidamente conectado a tierra.

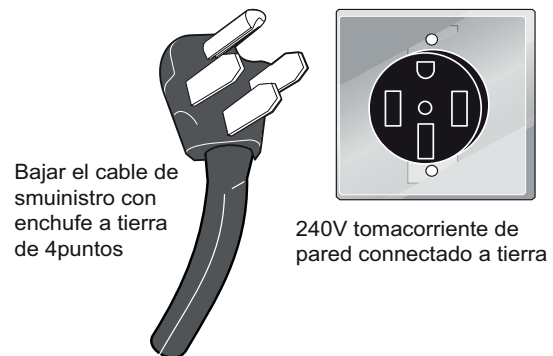


Fig. 8

6. Instalación de cables de alimentación (EE. UU.)

EL RIESGO DE INCENDIO O DESCARGAS ELÉCTRICAS PUEDE OCURRIR SI SE UTILIZA UN KIT DE CABLE DE ALCANCE INCORRECTO, NO SE SIGUEN LAS INSTRUCCIONES DE INSTALACIÓN O SE DESCARTÓ EL SOPORTE DE ALIVIO.

Este electrodoméstico se puede conectar por medio de un cable de suministro de energía. Solo se usará un kit de cable de suministro de potencia con una clasificación de 125/250 voltios como mínimo y marcado para su uso con rangos.

Tabla del Tamaño de la Abertura de Conexión de la Estufa				
Información sobre la potencia nominal en amperios del Juego de Cable de Alimentación. Ver la placa de serie en la estufa para los datos sobre la potencia nominal en kilovatios.				
Ver la placa de serie en la estufa para la potencia nominal en kilovatios		Potencia Nominal del Juego de cable	Diámetro (pulg.) de la Abertura de Conexión de la Estufa	
120/240 Voltios	120/208 Voltios		Juego de cable	Cableado Permanente
8,8-16,5 KW	7,9-12,5 KW	40/50 Amp.	1-3/8"	1-1/8"
16,6-22,5 KW	12,6-18,5 KW	50 Amp.	1-3/8"	1-3/8"

Fig. 9

El cable debe tener tres (3) o cuatro (4) conductores. Los terminales en el extremo de los cables deben ser terminales de bucle cerrado o de extremo abierto con extremos hacia arriba.



Requerido para nuevo y instalaciones remodeladas

Pared de 4 hilos receptáculo (14-50R)



Permitido por instalaciones existentes

Pared de 3 hilos receptáculo (10-50R)

Fig. 10

El cable debe tener un alivio de tensión instalado correctamente.

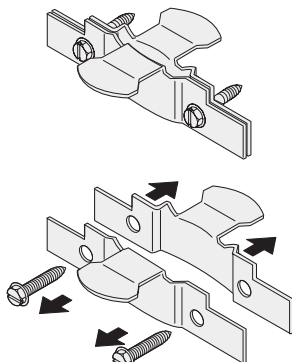


Fig. 11

Acceder al bloque de terminales

1. Retire la cubierta de acceso y el soporte de la parte posterior del aparato. Guarde todas las piezas y los tornillos.

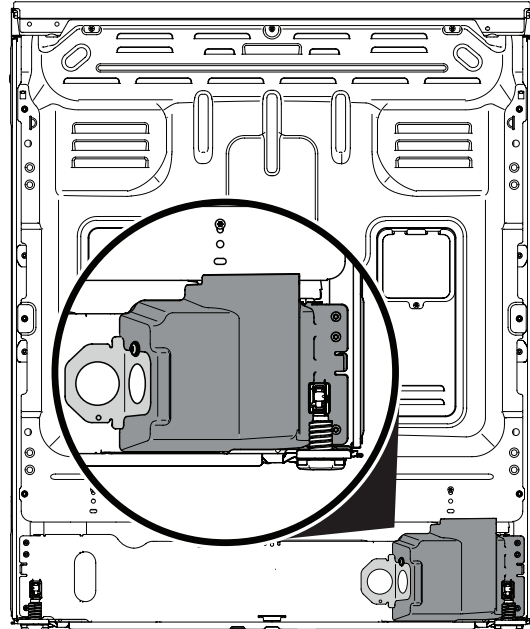


Fig. 12

2. Tire de los terminales del cable a través del orificio correcto en el soporte incluido con el aparato.
3. Conecte los terminales al bloque de terminales como se indica para conexiones de 3 hilos, 4 hilos o permanentes. Consulte la siguiente sección para obtener instrucciones específicas para cada conexión.
4. Coloque el alivio de tensión a través del soporte incluido y apriete contra el cable de alimentación.
5. Vuelva a colocar el soporte y la cubierta de acceso en el aparato.

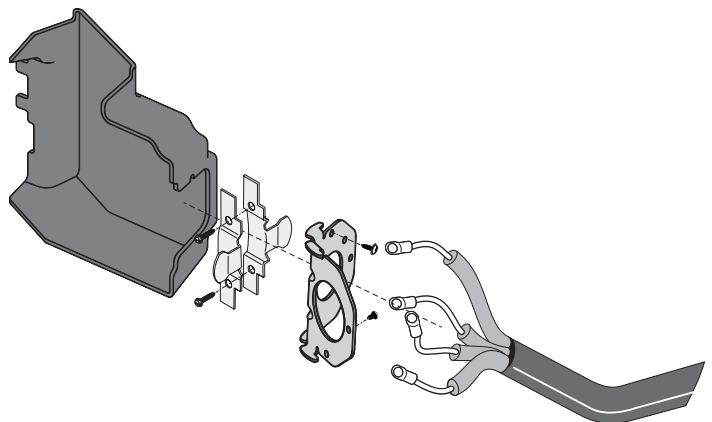


Fig. 13

INSTRUCCIONES DE INSTALACION PARA LA ESTUFA ELECTRICA DE 30"

Conexión tetrafilar (Nuevo circuito derivado o casa móvil)

1. Inserte los conectores de extremo para la Línea 1, Línea 2 y Neutro y apriete firmemente en el tablero de bornes. **NOTA IMPORTANTE: NO AFLOJE** las conexiones de tuerca instaladas en la fábrica que aseguran el cableado de la estufa en el tablero de bornes. Se puede producir una falla eléctrica o pérdida de la conexión eléctrica si estas 3 tuercas son aflojadas o retiradas.
2. Usted debe desconectar la cinta de conexión a tierra. Retire el tornillo y placa de tierra instalada en la fábrica para soltar la cinta de conexión a tierra de cobre del marco del electrodoméstico. Conserve el tornillo de tierra.
3. Conecte el alambre de VERDE puesta a tierra con el ojal en el marco del electrodoméstico con el tornillo de tierra usando el mismo agujero del marco donde estaba originalmente instalado el tornillo de tierra.
4. Siga las instrucciones de instalación del fabricante suministradas con el sujetacable e instale.
5. Asegúrese de que todas las tuercas estén firmemente apretadas y vuelva a colocar la cubierta de acceso trasera.

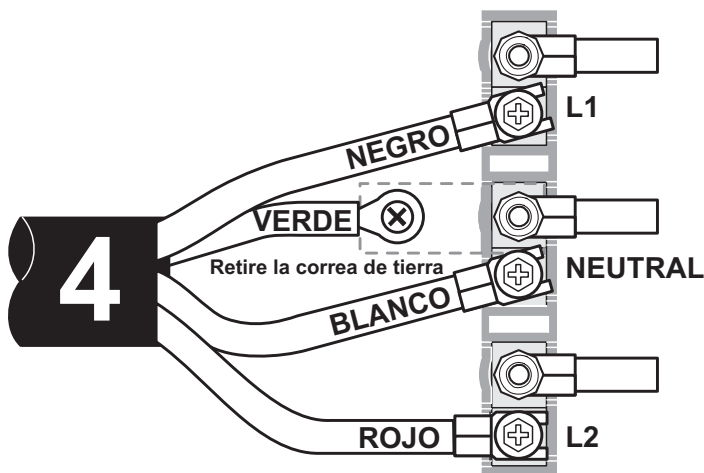


Fig. 14

NOTA: El cable blanco interno no está presente en todos los modelos.

Conexión trifilar (SOLO instalaciones existentes)

Esta estufa tiene instalada una cinta de conexión a tierra que conecta el borne central del tablero de bornes (neutro) al chasis de la estufa. La cinta de conexión a tierra está conectada a la estufa mediante el tornillo central más inferior (ver Fig. 15). La cinta de conexión de tierra no debe retirarse a menos que el código nacional, estatal o local no permitan el uso de una cinta de conexión a tierra.

NOTA: Si por cualquier motivo se retira la cinta de conexión a tierra, se debe conectar un alambre de tierra separado al tornillo de tierra instalado en el chasis de la estufa y a una tierra adecuada.

1. Inserte los conectores de extremo para la Línea 1, Línea 2 y Neutro y apriete firmemente en el tablero de bornes. **NOTA IMPORTANTE: NO AFLOJE** las conexiones de tuerca instaladas en la fábrica que aseguran el cableado de la estufa en el tablero de bornes. Se puede producir una falla eléctrica o pérdida de la conexión eléctrica si estas 3 tuercas son aflojadas o retiradas.
2. Siga las instrucciones de instalación del fabricante suministradas con el sujetacable e instale.
3. Asegúrese de que todas las tuercas estén firmemente apretadas y vuelva a colocar la cubierta de acceso trasera.

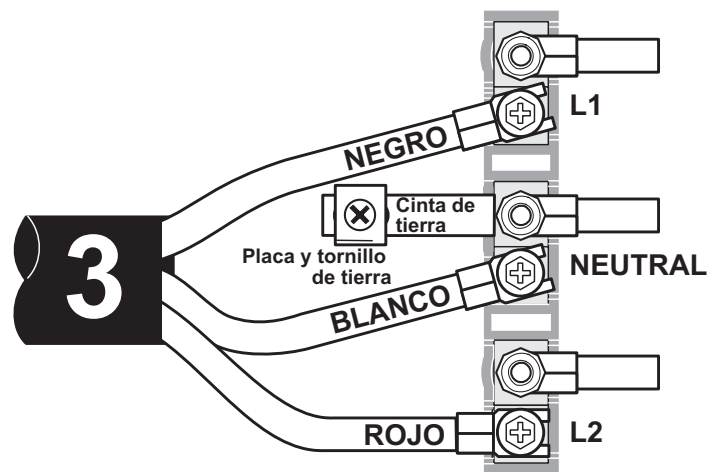


Fig. 15

NOTA: El cable blanco interno no está presente en todos los modelos.

INSTRUCCIONES DE INSTALACION PARA LA ESTUFA ELECTRICA DE 30"

Connexiones del cableado permanente trifilar y tetrafilar

Este aparato puede conectarse mediante cableado permanente.

Cuando instale un cableado permanente, no deje el exceso de cable en el compartimento de rango. El exceso de cable en el compartimento de rango puede no permitir que la cubierta de acceso posterior sea reemplazada adecuadamente y podría crear un riesgo eléctrico potencial si los cables se pellizcan. Conéctelo únicamente como se indica en "Connexiones de cableado permanente" en el Paso 4c. Al usar un conducto flexible o cable de rango, use un conector flexible o un alivio de tensión del cable de rango.

1. Desforre el aislamiento de los extremos del cableado permanente para la Línea 1, Línea 2, Neutro (además desforre el alambre de conexión a tierra en las connexiones tetrafilares). Apriete los 3 conductores hacia el tablero de bornes (Siga las ubicaciones de los alambres que se muestran en la Fig. 16). **NOTA IMPORTANTE: NO AFLOJE** las connexiones de tuerca instaladas en la fábrica que aseguran el cableado de la estufa en el tablero de bornes. Se puede producir una falla eléctrica o pérdida de la conexión eléctrica si estas 3 tuercas son aflojadas o retiradas.
2. (Connexión permanente tetrafilar SOLAMENTE) Desconecte la cinta de conexión a tierra. Retire el tornillo y placa de tierra instalada en la fábrica para soltar la cinta de conexión a tierra de cobre del marco del electrodoméstico. Conserve el tornillo de tierra y la placa de tierra.
3. (Connexión permanente tetrafilar SOLAMENTE) Conecte el alambre terminal de puesta a tierra (verde) al marco del electrodoméstico usando el tornillo y la placa de conexión a tierra, como se muestra en la Fig. 17. Asegúrese de instalarlo usando el mismo agujero del marco donde estaba originalmente instalado el tornillo de tierra.
4. Siga las instrucciones de instalación del fabricante suministradas con el sujetacable e instale.
5. Asegúrese de que todas las tuercas estén firmemente apretadas y vuelva a colocar la cubierta de acceso trasera.

NOTA: Los campos de la compresión de las connexiones de los cables no terminadas deben ser usadas utilizando un cable de 10 ga. o más grande y ajustarlos a aproximadamente 22 libras por pulgadas.

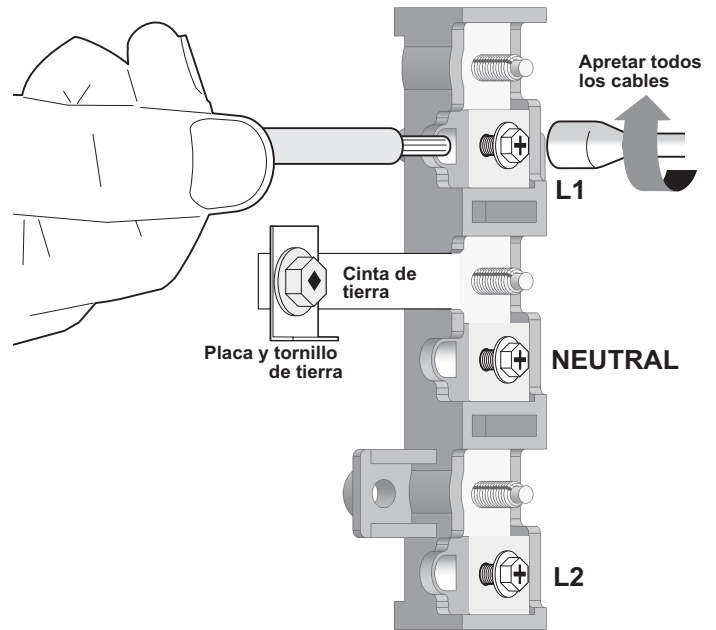


Fig. 16

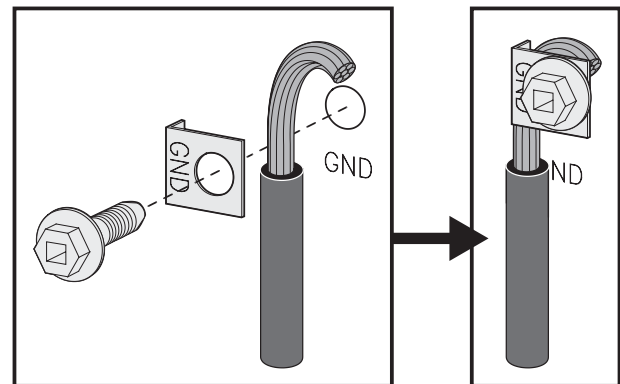


Fig. 17

7. Deslice con cuidado la estufa hasta su lugar definitivo

Asegúrese de proveer todos los espacios libres adecuados y las dimensiones antes de mover la estufa a su lugar definitivo.

Deslice cuidadosamente la estufa hacia la abertura del gabinete a la vez que inserta el tornillo nivelador trasero en el soporte antivuelco. Asegúrese de que el cordón de alimentación quede plegado en el resto del área abierta del piso detrás de la estufa. Asegúrese de verificar la nivelación de la estufa.

Ubicación del modelo y número de serie

La placa de serie se encuentra en la parte frontal del aparato, visible cuando se abre la puerta.

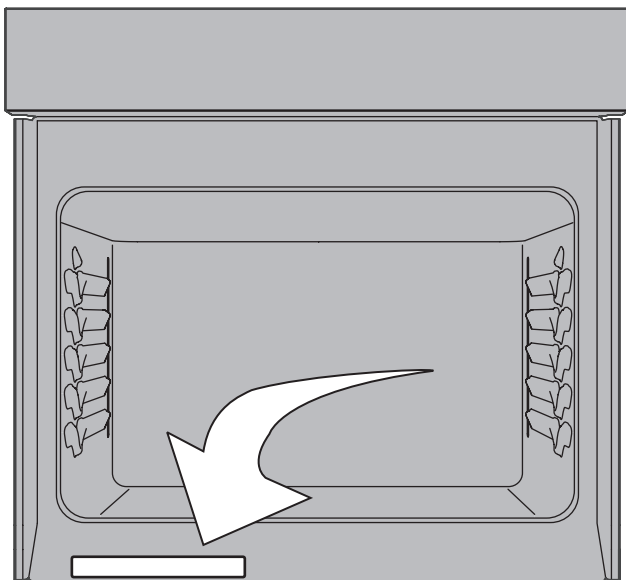


Fig. 18

Cuando ordene piezas o pregunte acerca de su rango, siempre asegúrese de incluir los números de modelo y de serie y un número de lote o letra de la placa de serie en su rango.

Su placa de serie también le indica la clasificación de kilovatios (requisitos de potencia) y las clasificaciones de voltaje.

Cuidado, limpieza y mantenimiento

Consulte el Manual de uso y cuidado para las instrucciones de limpieza.

Si es necesario retirar el rango para la limpieza o el mantenimiento, desconecte el suministro de energía eléctrica. Si el suministro eléctrico es inaccesible, levante la unidad ligeramente hacia adelante y retírese de la pared. Tire solo hasta donde sea necesario para desconectar el suministro eléctrico. Termine de quitar la unidad para dar servicio y limpiarla.

Antes de llamar al servicio

Lea las secciones "Antes de llamar" y la instrucción de operación en su Manual de uso y cuidado. Puede ahorrarle tiempo y dinero. La lista incluye las ocurrencias comunes que no son el resultado de mano de obra o materiales defectuosos en este electrodoméstico.

Consulte la garantía en su Manual de uso y cuidado para obtener nuestro número y dirección de servicio gratuito. Llame o escriba si tiene preguntas sobre su producto de gama y / o si necesita pedir repuestos.

INSTALLATION INSTRUCTIONS

CUISINIÈRE ÉLECTRIQUE

L'INSTALLATION ET L'ENTRETIEN DOIVENT ÊTRE EFFECTUÉS
PAR UN INSTALLATEUR QUALIFIÉ.

**IMPORTANT: CONSERVEZ POUR L'INSPECTEUR D'ÉLECTRICITÉ LOCAL.
LISEZ ET CONSERVEZ CES INSTRUCTIONS POUR RÉFÉRENCES ULTÉRIEURES.**



⚠ AVERTISSEMENT POUR VOTRE SÉCURITÉ:
N'entreposez pas ou n'utilisez pas
d'essence ou d'autres produits
inflammables à proximité de cet appareil ou
de tout autre appareil électroménager.



DIRECTIVES IMPORTANTES DE SÉCURITÉ

⚠ AVERTISSEMENT Si les directives contenues dans ce guide ne sont pas suivies à la lettre, un feu ou une explosion pourrait se produire et entraîner des dommages matériels, des blessures, voire la mort.

Remarques importantes pour l'installateur

- Lisez toutes les instructions contenues dans ce guide avant de procéder à l'installation de la cuisinière.
- Retirez tout le matériel d'emballage des compartiments du four avant de connecter la cuisinière à l'alimentation en gaz et à l'alimentation en électricité.
- Respectez tous les codes et tous les règlements.
- Assurez-vous de laisser ces instructions à l'utilisateur.

Remarque importante pour l'utilisateur :

Conservez ces instructions avec le guide d'utilisation et d'entretien pour vous y reporter ultérieurement.

- Comme pour tout appareil produisant de la chaleur, certaines précautions de sécurité doivent être respectées. Ceux-ci sont répertoriés dans le Guide d'Utilisation et d'entretien, lisez-le attentivement.
- Assurez-vous que votre cuisinière est installée et mise à la terre de façon appropriée par un installateur qualifié ou un technicien de service.
- Assurez-vous que les revêtements muraux autour de la cuisinière peuvent supporter la chaleur générée par la cuisinière.
- Pour éliminer le besoin d'atteindre les éléments de surface, l'espace de rangement des armoires au-dessus des éléments devrait être évité.

⚠ AVERTISSEMENT **Risque de basculement**

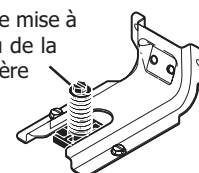


- Un enfant ou un adulte peut faire basculer la cuisinière et en décéder.
- Vérifiez que le dispositif anti-renversement a été fixé au plancher ou au mur.

- Assurez-vous d'enclencher le dispositif anti-renversement lorsque la cuisinière est déplacée sur le plancher ou contre le mur.
- Ne faites pas fonctionner la cuisinière si le dispositif anti-renversement n'est pas en place et enclenché.
- Le non-respect de ces instructions peut causer des blessures fatales ou de graves brûlures aux enfants et aux adultes.



Pied de mise à
niveau de la
cuisinière



Support anti-
renversement

Pour vérifier si le support anti-renversement est correctement installé, attrapez le bord arrière de la cuisinière à deux mains, et essayez doucement de faire basculer la cuisinière vers l'avant. Lorsque le support est correctement installé, la cuisinière ne doit pas basculer vers l'avant.

Reportez-vous aux instructions d'installation du support anti-renversement fournies avec la cuisinière pour vous assurer que l'installation est effectuée de façon appropriée.

1. Dégagements et dimensions

- Prévoyez des dégagements adéquats entre la cuisinière et les surfaces combustibles adjacentes.
- Emplacement: vérifiez l'emplacement où la plage sera installée. Vérifiez l'alimentation électrique et l'alimentation en gaz et la stabilité du sol.
- Les dimensions affichées doivent être utilisées. Les dimensions données fournissent un dégagement minimum. La surface de contact doit être solide and level.

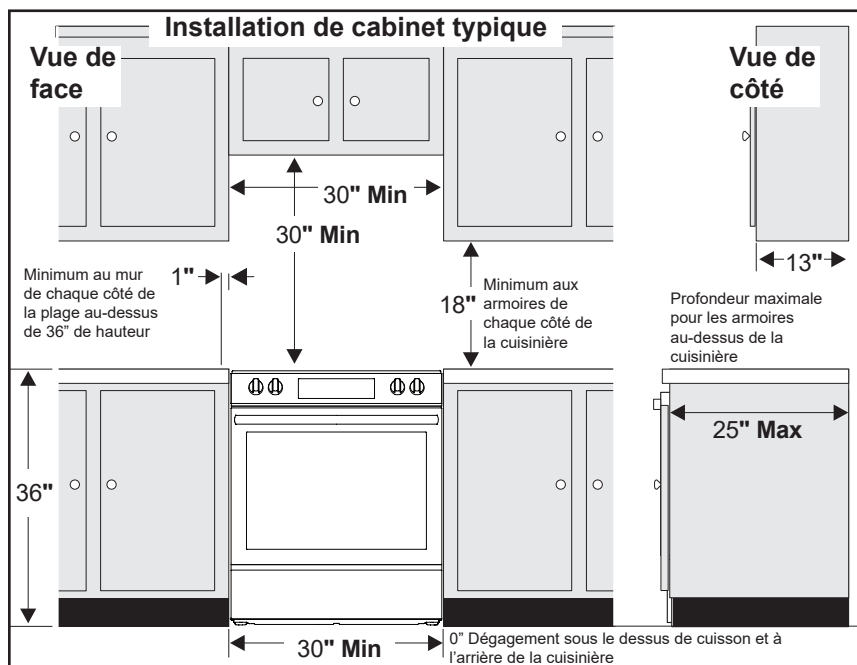


Fig. 1

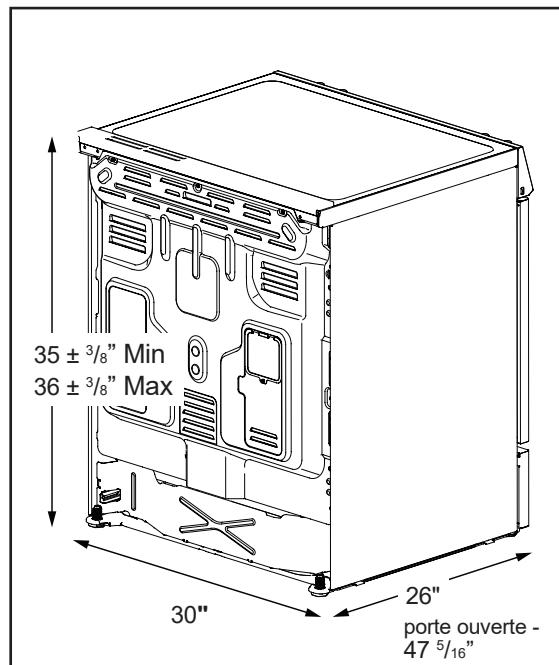


Fig. 2

*ESPACE MINIMUM DE 76,2 CM (30'') ENTRE LE DESSUS DE LA SURFACE DE CUISSON ET LE DESSOUS D'UNE ARMOIRE EN BOIS OU EN MÉTAL NON PROTÉGÉE, OU ESPACE MINIMUM DE 61 CM (24'') SI LE FOND DE L'ARMOIRE EN BOIS OU EN MÉTAL EST PROTÉGÉ PAR UN PANNEAU RÉSISTANT AU FEU D'AU MOINS 0,64 CM (1/4'') RECOUVERT D'UNE FEUILLE D'ACIER DOUX DONT L'ÉPAISSEUR EST AU MOINS DE 0,038 CM (0,015'') SI EN ACIER INOXYDABLE; DE 0,061 CM (0,024'') SI EN ALUMINIUM OU DE 0,051CM (0,020'') SI EN CUIVRE. AUCUN ESPACE EST REQUIS À L'ARRIÈRE. RESPECTEZ TOUTES LES DIMENSIONS INDICUÉES CI DESSUS AFIN D'ÉVITER DES DOMMAGES À LA PROPRIÉTÉ, DE CRÉER UN DANGER POTENTIEL D'INCENDIE ET DE FAIRE DES DÉCOUPAGES INCORRECTS DU COMPTOIR ET DE L'ARMOIRE.

POUR ÉLIMINER LE RISQUE DE BRÛLURES OU D'INCENDIE EN ATTEIGNANT LES UNITÉS DE SURFACE CHAUFFÉES, L'ESPACE DE RANGEMENT DE L'ARMOIRE SITUÉ AU-DESSUS DES UNITÉS DE SURFACE DOIT ÊTRE ÉVITÉ. SI LE STOCKAGE DE L'ARMOIRE DOIT ÊTRE FOURNI, LE RISQUE PEUT ÊTRE RÉDUIT EN INSTALLANT UNE HOTTE DE CUISINIÈRE QUI SE PROJECTE HORIZONTALEMENT À UN MINIMUM DE 5 ''(127 mm) AU-DESSUS DU FOND DES ARMOIRES.

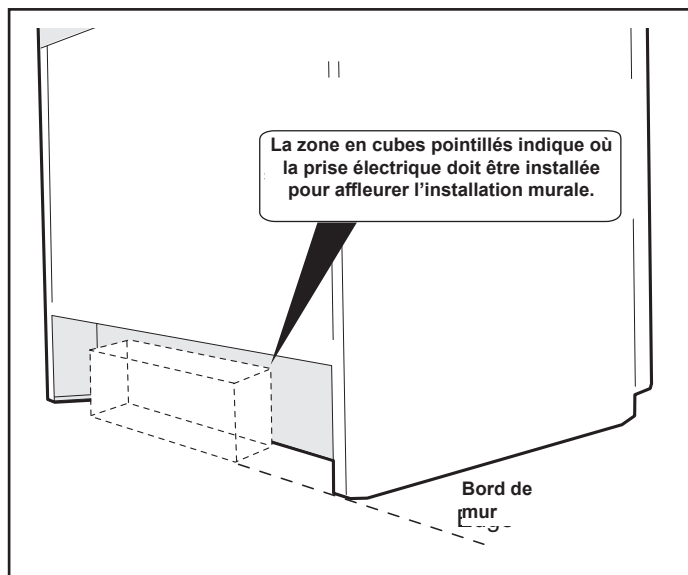


Fig. 3

2. Outils requis

Pour les pattes de nivellement et le support anti-basculé:

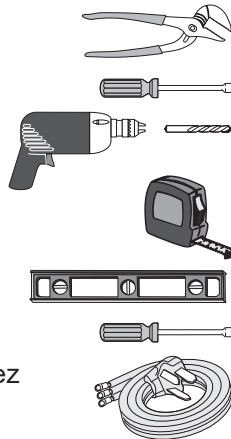
- Clé à molette ou pringles multiprises
- 5/16" tournevis à douille ou tournevis à tête plate
- Perceuse & foret de 1/8 diamètre (Si installer dans le béton, foret de maçonnerie de 5/32")
- Niveau et ruban à mesurer

Pour le raccordement de l'alimentation électrique:

- 1/4" & 3/8" Pilote de douille ou Nutdriver

Matériel supplémentaire dont vous aurez besoin:

- Cordon d'alimentation ou
- Câblage électrique et conduit en métal (pour le câblage dur)



3. Instructions d'installation du support anti-basculement

⚠ AVERTISSEMENT La cuisinière doit être fixée au plancher pour éviter qu'elle ne se renverse. Ceci se réalise en installant un support anti-basculé à l'aide des vis fournies avec la cuisinière. Si le support n'est pas installé, la cuisinière peut basculer lorsqu'un poids excessif est exercé sur une porte ouverte ou qu'un enfant monte dessus. Des blessures graves peuvent s'ensuivre provenant de la cuisinière elle-même ou du renversement de liquides chauds.

S'il faut déplacer la cuisinière à un autre endroit, le support doit aussi être enlevé et réinstallé au nouvel emplacement.

Les instructions fournies sont prévues pour l'installation dans le bois ou dans le béton, dans le plancher. Lors de l'installation, assurez-vous que les vis ne pénètrent pas dans un câblage électrique ou des accessoires de plomberie.

- A. Situez le support en utilisant le gabarit- (Le support peut être localisé à gauche ou à droite de la cuisinière. Utilisez l'information donnée ci-après pour situer le support si le gabarit n'est pas disponible.) Marquez le plancher ou le mur à l'endroit où le côté gauche ou droit de la cuisinière sera situé. Vous pouvez utiliser la méthode de montage au mur ou au plancher si l'arrière de la cuisinière est appuyé au mur ou pas plus éloigné du mur que 46 mm (1-13/16") après installation. Enlevez la moulure ou fixez le support au plancher si une moulure est installée et ne permet pas au support de s'appuyer fermement sur le mur. Pour un montage contre le mur, situez le support en plaçant la partie arrière du gabarit contre le mur arrière et le bord du gabarit sur la marque faite qui identifie le côté de la cuisinière. Placez le support par-dessus le gabarit et identifiez l'emplacement des trous des vis dans le mur.

Fixez le support au plancher si l'arrière de la cuisinière est plus éloigné que 46 mm (1-13/16") du mur après l'installation. Situez le support en plaçant la partie arrière du gabarit à l'endroit où l'arrière de la cuisinière sera localisé pour un montage sur le plancher. Marquez l'emplacement des trous des vis indiqués sur le gabarit.in template.

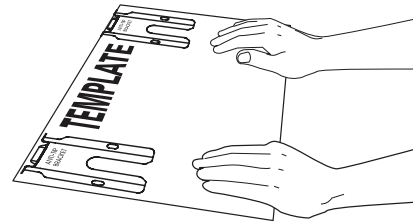


Fig. 4

- B. Percez les trous d'alignement et fixez le support - Percez un trou de 3 mm (1/8") aux endroits où les vis seront localisées. Percez un trou d'alignement à un angle descendant d'approximativement 20° si le support doit être installé sur le mur. Percez un trou d'alignement de 4 mm (5/32") par 44 mm (1-3/4") de profondeur si le support doit être installé dans la maçonnerie ou des planchers de céramique. Les vis fournies peuvent être utilisées dans le bois ou des matériaux en béton. Utilisez un serre écrou ou un tournevis plat afin de fixer le support en place.

FIXEZ LE SUPPORT (montage au plancher seulement)

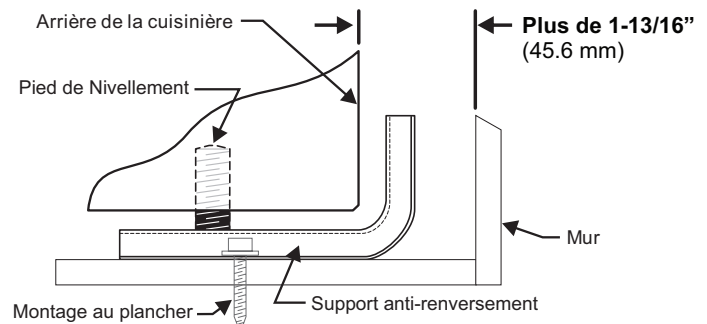


Fig. 5

FIXEZ LE SUPPORT (montage au mur ou plancher)

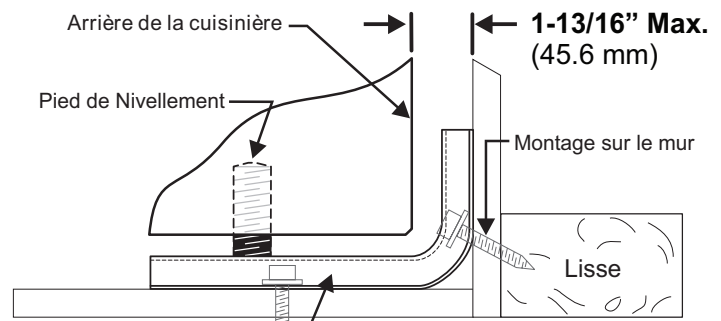


Fig. 6

- C. Mise en place et à niveau de la cuisinière - Mettez la cuisinière à niveau en ajustant les (4) pattes de mise à niveau à l'aide d'une clé à molette. Note : Un espacement minimum de 3 mm (1/8") requis entre le bas de la cuisinière et la patte d'ajustement afin de permettre un espace pour le support. Utilisez un niveau à bulle pour vérifier vos ajustements. Glissez la cuisinière vers sa position. Vérifiez visuellement que la patte de mise à niveau arrière est complètement insérée et fixée dans le support de contre-renversement en retirant le panneau inférieur ou le tiroir de rangement.

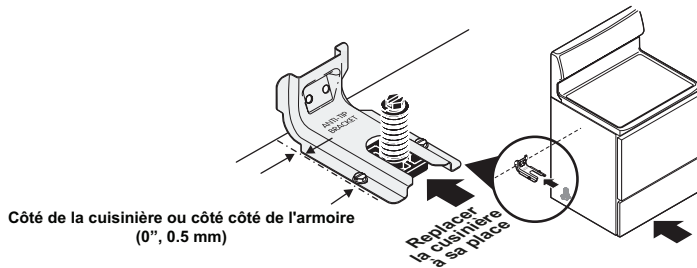


Fig. 7

4. Exigences de connexion électrique

⚠ AVERTISSEMENT Évitez les risques d'incendie ou d'électrocution. Le non-respect de cet avertissement peut entraîner des blessures graves, un incendie ou la mort.

Cet appareil doit être correctement installé et mis à la terre par un technicien qualifié conformément aux dernières éditions du Code national de l'électricité ANSI/NFPA n° 70 ou du Code canadien de l'électricité (norme CSA (C22.1 partie 1) et aux exigences du code électrique local.

Pour votre sécurité personnelle, cet appareil doit être correctement mis à la terre. Pour une sécurité maximale, le cordon d'alimentation doit être branché sur une prise électrique de tension correcte, correctement polarisée et correctement mise à la terre conformément aux codes locaux.

Il est de la responsabilité personnelle du consommateur d'avoir la prise appropriée avec la prise murale correcte et correctement mise à la terre installée par un électricien qualifié.

5. Modèles avec cordon d'alimentation (Canada)

Branchez le câble d'alimentation à 4 broches de la cuisinière dans une prise murale de 240 V correctement mise à la terre.

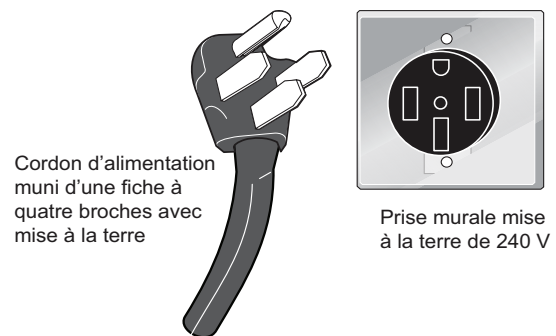


Fig. 8

6. Installation des cordons d'alimentation (États-Unis)

UN RISQUE D'INCENDIE OU DE CHOC ÉLECTRIQUE PEUT SURVENIR SI UN KIT DE CORDON DE TAILLE INCORRECT EST UTILISÉ, LES INSTRUCTIONS D'INSTALLATION NE SONT PAS SUIVIES OU LE SUPPORT DE SÉCURITÉ EST JETÉ.

Cet appareil peut être connecté au moyen d'un cordon d'alimentation. Utilisez un kit de cordon d'alimentation évalué à 125/250 volts minimum, marqué pour une utilisation avec des cuisinières.

Tableau des tailles d'ouverture de connexion de la cuisinière			
Voir la plaque signalétique sur la cuisinière pour la puissance nominale en kilowatts	Intensité nominale du kit de cordon	Diamètre (pouces) de l'ouverture de connexion de la cuisinière	
		Trousse de cordon	Câblage Permanent
120/240 V - 120/208 V			
8.8-16.5 KW - 7.9-12.5 KW	40/50 Amp	1-3/8"	1-1/8"
16.6-22.5 KW - 12.6-18.5KW	50 Amp	1-3/8"	1-3/8"

Fig. 9

Le cordon doit avoir trois (3) ou quatre (4) conducteurs. Les bornes à l'extrémité des fils doivent être soit des cosses en boucle fermée, soit des cosses à fourche à extrémité ouverte avec des extrémités tournées vers le haut.



Requis pour les nouveaux et installations rénovées

Mur à 4 fils prise (14-50R)



Permet pour installations existantes

Mur à 3 fils prise (10-50R)

Fig. 10

Le cordon doit avoir un serre-câble correctement installé.

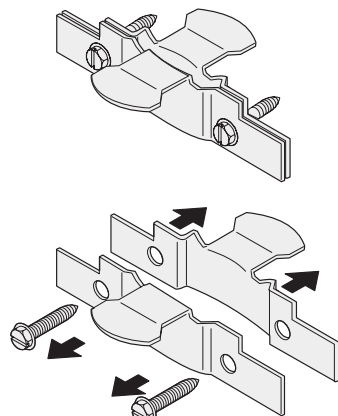


Fig. 11

Accéder au bornier

1. Retirez le couvercle d'accès et le support à l'arrière de l'appareil. Conservez toutes les pièces et les vis.

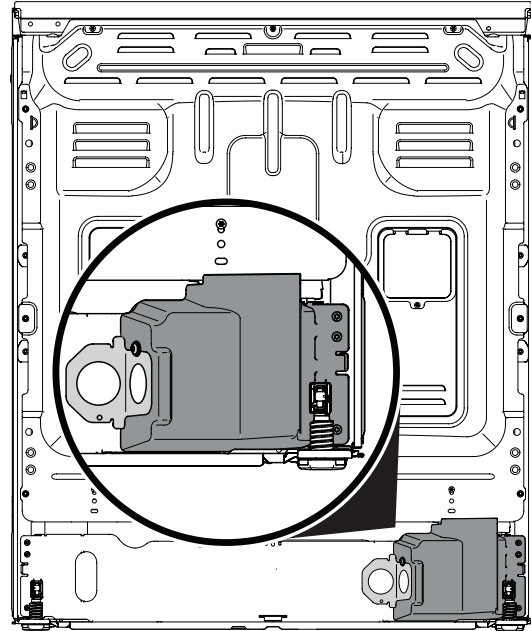


Fig. 12

2. Tirez les bornes du cordon à travers le trou correct du support fourni avec l'appareil.
3. Connectez les bornes au bornier comme indiqué pour les connexions à 3 fils, 4 fils ou permanentes. Reportez-vous à la section suivante pour obtenir des instructions spécifiques à chaque connexion.
4. Placez le serre-câble à travers le support inclus et serrez-le contre le cordon d'alimentation.
5. Remplacez le support et le couvercle d'accès sur l'appareil.

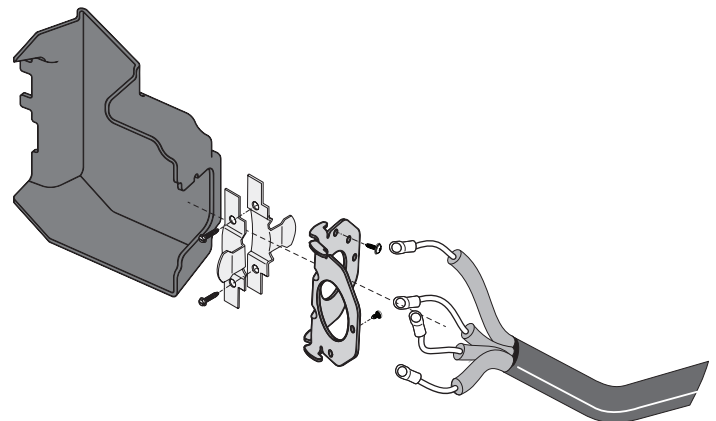


Fig. 13

Connexion du cordon d'alimentation à 4 fils (Nouveau circuit de dérivation ou maison mobile)

1. Insérez les connecteurs d'extrémité pour la ligne 1, la ligne 2 et le neutre et serrez fermement au bornier. **REMARQUE IMPORTANTE : NE DESERRER PAS** les connexions à écrou installées en usine qui fixent le câblage de la cuisinière au bornier. Une panne électrique ou une perte de connexion électrique peut se produire si ces écrous sont desserrés ou retirés.
2. Vous devez débrancher la tresse de masse. Retirez la vis et la plaque de mise à la terre installées en usine pour libérer la tresse de mise à la terre en cuivre du cadre de l'appareil. Coupez et jetez la tresse et la plaque de mise à la terre en cuivre. Gardez la vis de terre.
3. Connectez le fil de terre VERT avec l'œillet au cadre de l'appareil avec la vis de terre en utilisant le même trou dans le cadre où la vis de terre a été installée à l'origine.
4. Suivez les instructions d'installation du fabricant fournies avec le serre-câble et installez-le.
5. Assurez-vous que toutes les vis sont bien serrées et remplacez le couvercle d'accès arrière.

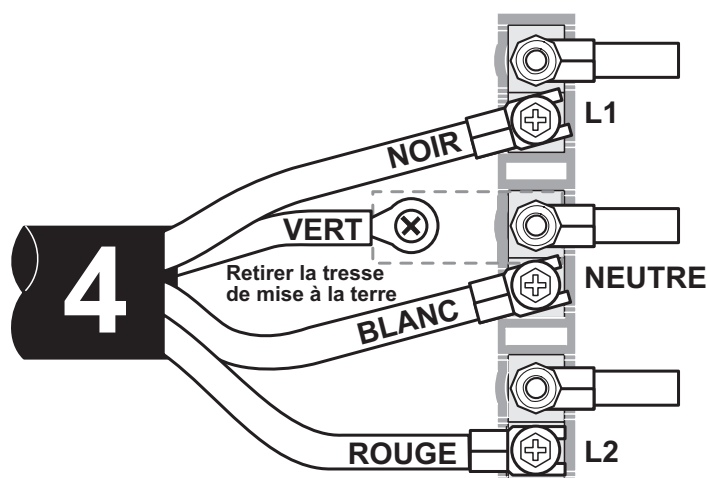


Fig. 14

REMARQUE : Le fil blanc interne n'est pas présent sur tous les modèles.

Connexion du cordon d'alimentation à 3 fils (Installations existantes UNIQUEMENT)

Une tresse de masse est installée sur cette cuisinière qui relie la borne centrale du bornier (Neutre) au châssis de la cuisinière. La tresse de masse est reliée à la cuisinière par la vis centrale (voir Fig. 15). La tresse de masse ne doit pas être retirée à moins que les codes nationaux, provinciaux ou locaux n'autorisent l'utilisation d'une tresse de masse.

REMARQUE : Si la tresse de mise à la terre est retirée pour une raison quelconque, un fil de mise à la terre séparé doit être connecté à la vis de mise à la terre séparée fixée au châssis de la cuisinière et à une source de mise à la terre adéquate.

1. Insérez les connecteurs d'extrémité pour la ligne 1, la ligne 2 et le neutre et serrez fermement au bornier. **REMARQUE IMPORTANTE : NE DESERRER PAS** les connexions à écrou installées en usine qui fixent le câblage de la cuisinière au bornier. Une panne électrique ou une perte de connexion électrique peut se produire si ces 3 écrous sont desserrés ou retirés.
2. Suivez les instructions d'installation du fabricant fournies avec le serre-câble et installez-le.
3. Assurez-vous que toutes les connexions sont bien serrées et remplacez le couvercle d'accès arrière.

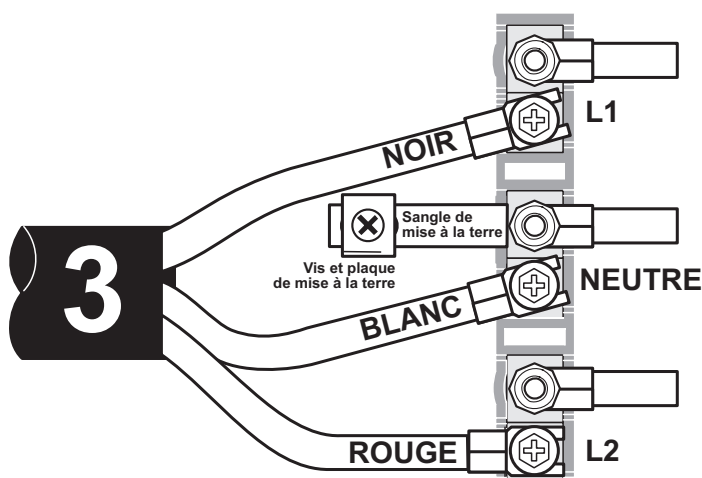


Fig. 15

REMARQUE : Le fil blanc interne n'est pas présent sur tous les modèles.

Liaison Permanente 3 Fils et 4 Fils (États-Unis)

Cet appareil peut être connecté au moyen d'un câblage permanent.

Lors de l'installation d'un câblage permanent, ne laissez pas de fil en excès dans le compartiment de la cuisinière. L'excès de fil dans le compartiment de la cuisinière peut empêcher le couvercle d'accès arrière d'être remis en place correctement et peut créer un risque électrique potentiel si les fils sont pincés. Connectez-vous uniquement comme indiqué. Lors de l'utilisation d'un conduit flexible ou d'un câble de cuisinière, utilisez un connecteur flexible ou un serre-câble de câble de cuisinière.

1. Dénudez les extrémités du câblage permanent pour la ligne 1, la ligne 2, le neutre (dénudez également le fil de terre sur les connexions à 4 fils). Serrez tous les fils conducteurs au bornier (Suivez les emplacements des fils illustrés à la Fig. 16). **REMARQUE IMPORTANTE : NE DESSERREZ PAS** les connexions à écrou installées en usine qui fixent le câblage de la cuisinière au bornier. Une panne électrique ou une perte de connexion électrique peut se produire si ces écrous sont desserrés ou retirés.
2. (Connexion permanente à 4 fils **UNIQUEMENT**) Débranchez la tresse de masse. Retirez la vis et la plaque de mise à la terre installées en usine pour libérer la tresse de mise à la terre en cuivre installée en usine du cadre de l'appareil. Coupez et jetez la bande de cuivre du bornier. Conservez la vis de terre et la plaque de terre.
3. (Connexion permanente à 4 fils **UNIQUEMENT**) Connectez le fil de mise à la terre (vert) au cadre de l'appareil à l'aide de la vis et de la plaque de mise à la terre, comme illustré à la Fig. 17. Assurez-vous d'utiliser le même trou dans le cadre où la vis de mise à la terre a été installé à l'origine.
4. Suivez les instructions d'installation du fabricant fournies avec le serre-câble et installez-le.
5. Assurez-vous que toutes les connexions sont bien serrées et remplacez le couvercle d'accès arrière.

REMARQUE : Les connexions de compression des fils de terrain non terminés doivent être réglées à 22 po/lb. ou plus grand. Utilisez toujours un fil de calibre 10 ou plus.

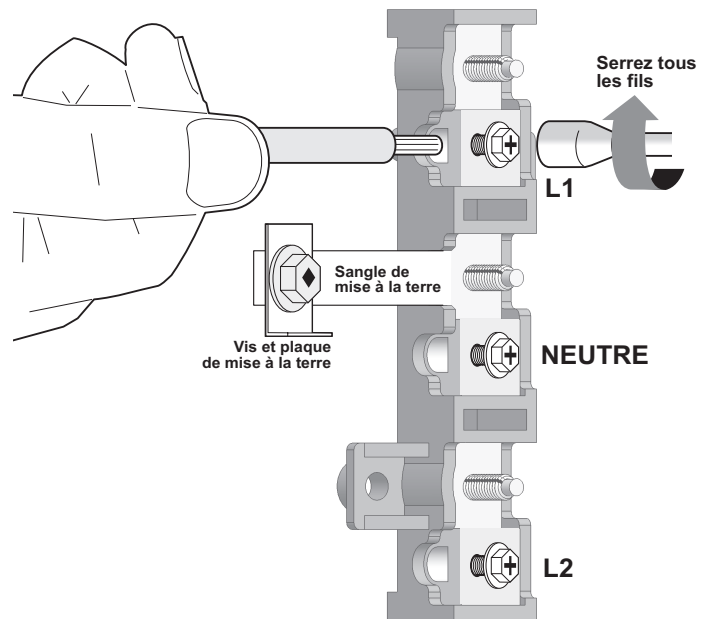


Fig. 16

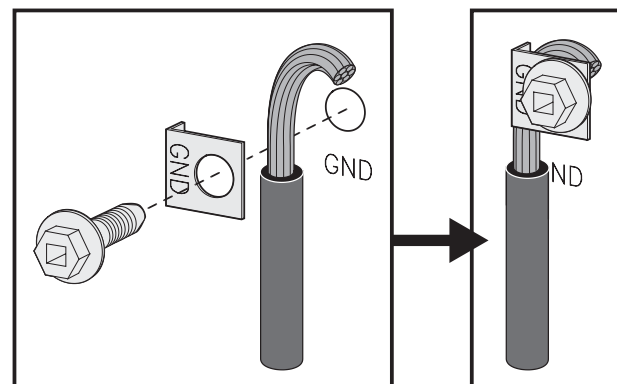


Fig. 17

7. Glissez soigneusement la plage dans l'emplacement final

Assurez-vous de fournir tous les dégagements et dimensions adéquats avant de déplacer l'appareil à son emplacement final.

Faites glisser avec précaution la cuisinière dans sa position finale tout en insérant le pied de nivellement arrière dans le support anti-basculement. Assurez-vous que le cordon d'alimentation se replie dans la surface de plancher libre restante derrière la cuisinière. Assurez-vous de vérifier le niveau de la gamme.

Emplacement du modèle et du numéro de série

La plaque signalétique est située à l'avant de l'appareil, visible lorsque la porte est ouverte.

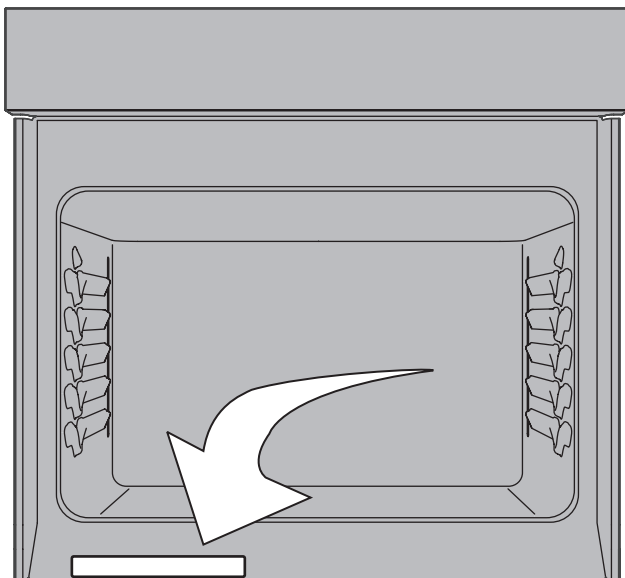


Fig. 18

Lorsque vous commandez des pièces ou que vous posez des questions sur votre cuisinière, assurez-vous d'inclure les numéros de modèle et de série et un numéro de lot ou une lettre de la plaque signalétique de votre cuisinière.

Votre plaque signalétique vous indique également la puissance nominale (Kilowatt) et la tension nominale.

Entretien, nettoyage et entretien

Reportez-vous au Guide de l'utilisateur pour obtenir des instructions de nettoyage détaillées.

Si le retrait de la cuisinière est nécessaire pour le nettoyage ou la maintenance, débranchez l'alimentation électrique. Si l'alimentation électrique est inaccessible, soulevez légèrement l'unité à l'avant et retirez-la du mur. Tirer seulement aussi loin que nécessaire pour déconnecter l'alimentation électrique. Finissez de retirer l'unité pour l'entretien et le nettoyage.

Avant de faire appel au service après-vente

Lisez la section « Avant de faire appel au service après-vente » et les instructions d'utilisation qui se trouvent dans le Guide d'utilisation et d'entretien. Cela pourrait vous faire économiser temps et argent. Cette liste décrit des situations courantes qui ne sont causées ni par un défaut de fabrication ni par un matériau défectueux.

Consultez la page de garantie de votre Guide d'utilisation et d'entretien pour connaître notre numéro sans frais et notre adresse. Veuillez nous appeler ou nous écrire si vous avez des questions à propos de votre cuisinière et/ou si vous désirez commander des pièces.