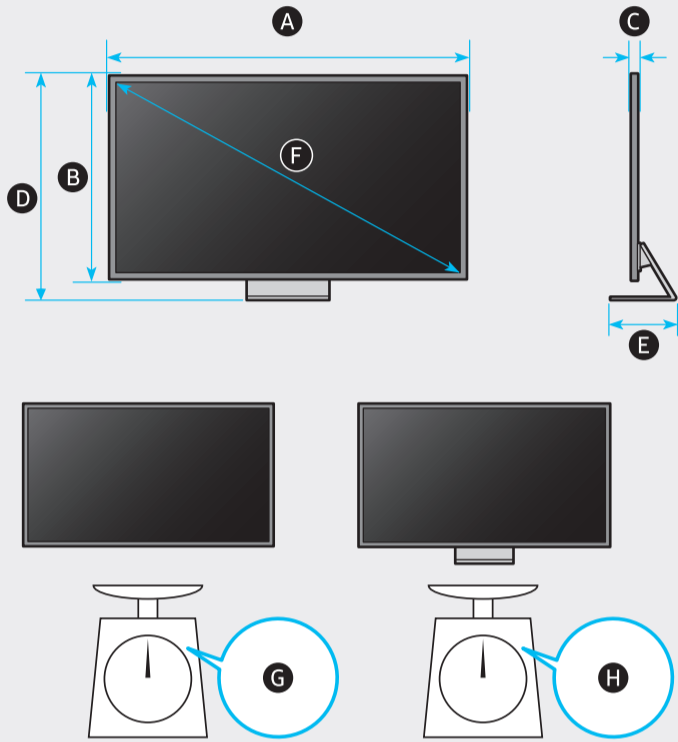
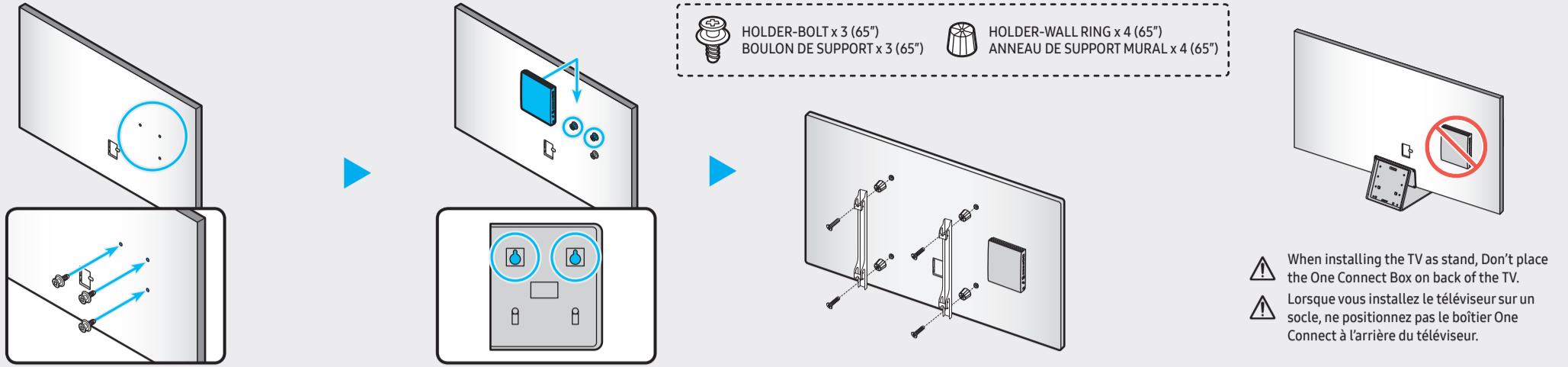
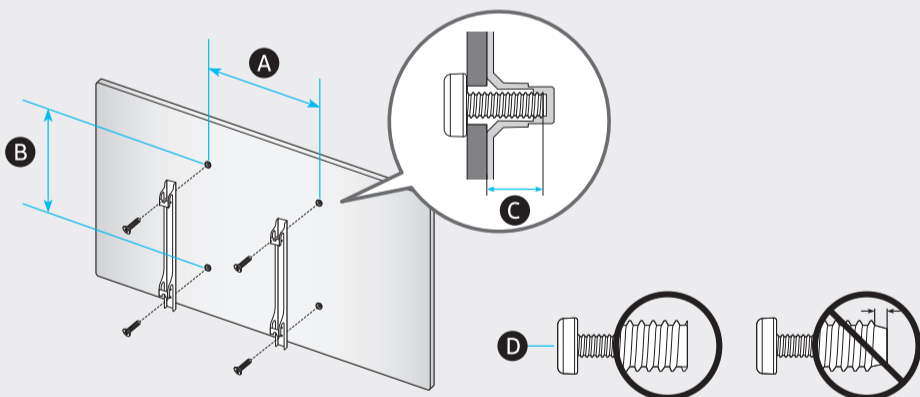


* When installing the TV as wallmount, You can place the One Connect Box as shown below. (65") / Lorsque vous installez le téléviseur sur un support mural, vous pouvez positionner le boîtier One Connect comme indiqué ci-dessous. (65")
 * To install using a wall mount, be sure to use the supplied HOLDER-WALL RING. (65") / Pour procéder à l'installation à l'aide d'un support mural, utilisez les ANNEAUX DE SUPPORT MURAL fournis. (65")



	A	B	C	D	E	F	G	H
QN55QN95B	48.3 inches (1228.0 mm)	27.8 inches (707.3 mm)	0.7 inches (17.4 mm)	30.6 inches (777.3 mm)	11.7 inches (298.4 mm)	54.6 inches	35.5 lbs (16.1 kg)	53.4 lbs (24.2 kg)
QN65QN95B	57.0 inches (1446.9 mm)	32.7 inches (829.7 mm)	0.7 inches (17.4 mm)	35.4 inches (900.2 mm)	11.7 inches (298.4 mm)	64.5 inches	49.2 lbs (22.3 kg)	67.0 lbs (30.4 kg)
QN55QN7**B	48.2 inches (1224.8 mm)	27.8 inches (705.3 mm)	0.7 inches (17.8 mm)	30.5 inches (775.8 mm)	12.7 inches (298.4 mm)	54.6 inches	36.6 lbs (16.6 kg)	53.8 lbs (24.4 kg)
QN65QN8**B	56.8 inches (1443.7 mm)	32.6 inches (828.4 mm)	0.7 inches (16.9 mm)	35.3 inches (897.7 mm)	11.7 inches (298.4 mm)	64.5 inches	51.4 lbs (23.3 kg)	68.8 lbs (31.2 kg)
QN65QN9**B	56.4 inches (1433.1 mm)	32.3 inches (819.9 mm)	0.6 inches (15.2 mm)	35.2 inches (893.4 mm)	11.7 inches (298.4 mm)	64.5 inches	49.8 lbs (22.6 kg)	67.2 lbs (30.5 kg)

*: 0-9, A-Z



	VESA A x B (mm)	C (mm)	D
QN55QN95B	400 x 300	5-6	M8
QN65QN95B			
QN55QN7**B			
QN65QN8**B			
QN65QN9**B			

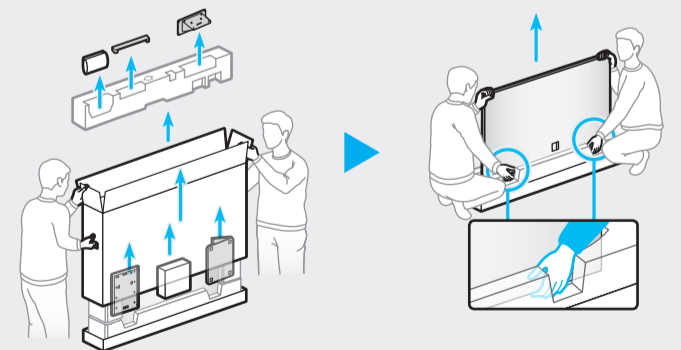
*: 0-9, A-Z

SAMSUNG

**QUICK SETUP GUIDE
GUIDE D'INSTALLATION RAPIDE**



55"



65"

