

**500 Series, Combination Oven, 30",
Stainless steel
HBL5754UC**



**Bosch speed combination ovens create
an all-in-one cooking center with an upper
speed oven and a Genuine European
Convection oven below**

- The Bosch Speed Oven Cooks Faster than a Traditional Oven and Can Also be Used as a Microwave.

Technical Data

Cooking mode : Combined operation, Half width grill, Hot Air, Hot air grilling, Microwave, warming
Cooking method second cavity : 3rd element convection, Convection Bake, Convection Broil, Convection Roast, Dough proving setting, Pizza setting, Small area grill, Top/bottom heating, Top heating, 1/3 bottom heat., Variable small-area grill, Warming
Integrated Cleaning system : No
Number of interior lights : 1
Included accessories : 1 x oven racks /lower
Bake Element Wattages cavity 1 : 600 W
Broil Element Wattages cavity 1 : 1750 W
Convection Element Wattages cavity 1 : 1700 W
Microwave Wattages : 950 W

Included accessories

1 x oven racks /lower

Optional accessories

HEZTR301 : Telescopic Oven Rack 30"

500 Series, Combination Oven, 30", Stainless steel HBL5754UC

**Bosch speed combination ovens create
an all-in-one cooking center with an upper
speed oven and a Genuine European
Convection oven below**

- 30" Speed Combination Oven, HBL8753UC, Stainless Steel

Design

- Industrial-style design heavy-duty metal knobs have a premium look and feel
- Installs flush for a sleek, modern look

Performance

- 2-in-1 microwave and convection upper oven with 9 SpeedChef® programs to simplify cooking with fast results
- Convection Pro has a third heating element and a fan to evenly circulate heat and cook food quickly on the lower wall oven
- Keep food warm without overcooking until ready to serve by using the warm mode

Efficiency

- 2, 3, and 4 hour self-clean cycles available, saving time and energy

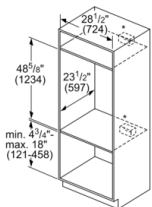
Convenience

- Large, transparent oven window lets you easily monitor the cooking progress without opening the door
- 1 upper and 1 lower interior oven light provide visibility into the cavity so you can see your meal's cooking progress
- Lower oven comes with 2 standard racks that can be placed into 6 different rack positions - perfect for a variety of baking needs

Capacity

- With capacities of 1.6 cu. ft upper speed oven and 4.6 cu. ft. lower oven allows enough space to cook everyday meals or for a crowd

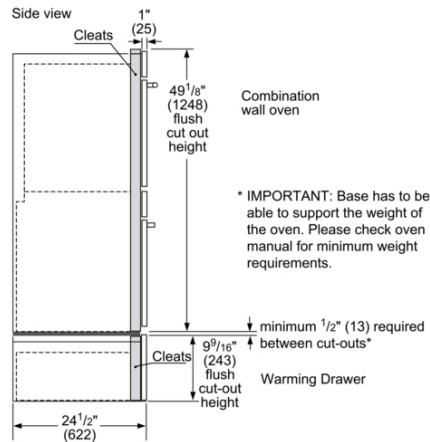
500 Series, Combination Oven, 30", Stainless steel HBL5754UC



* Junction box may be installed above, below, or to the left or right of the unit within reach of the power cable

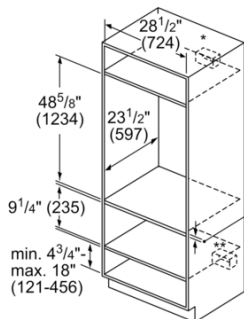
measurements in inches (mm)

Flush installation Combination oven over storage or warming drawer



measurements in inches (mm)

Standard Installation Combination oven over storage or warming drawer



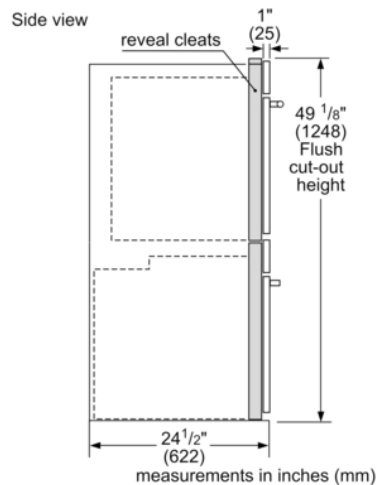
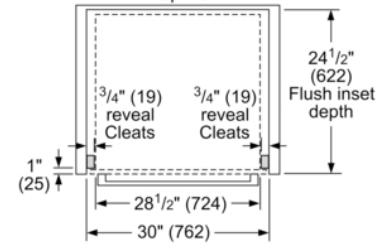
minimum 3/4" (18) required between cut-outs

* Wall oven junction box may be located above or to the right or left of the unit within reach of the power cable.

** Electrical hook-up may be located below (depending on space) or next to the drawer within reach of the power cable.

measurements in inches (mm)

Flush installation Top view



measurements in inches (mm)