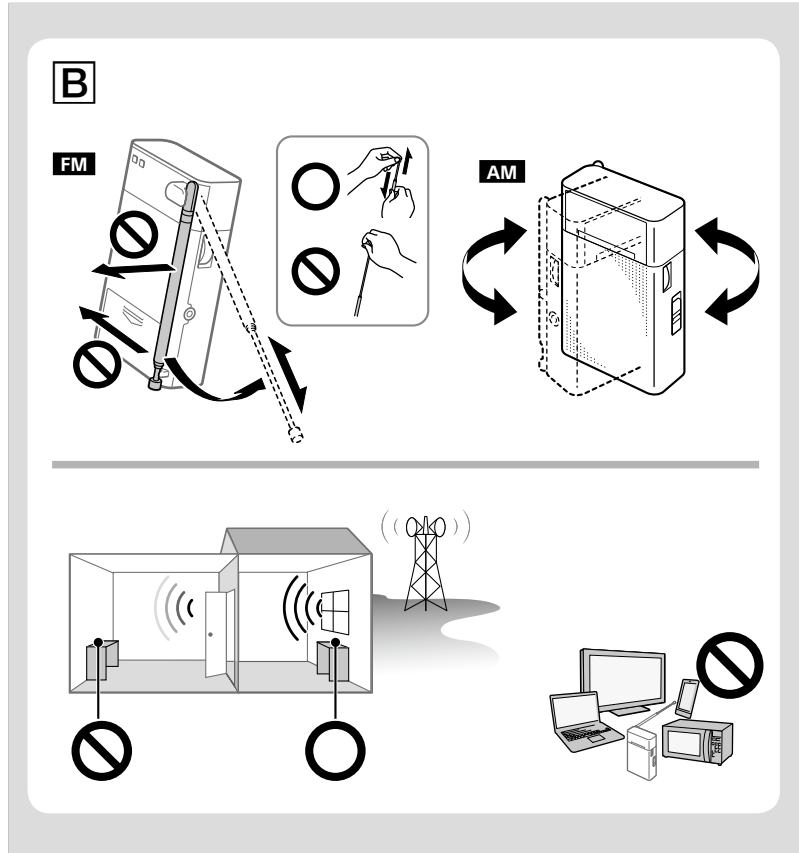
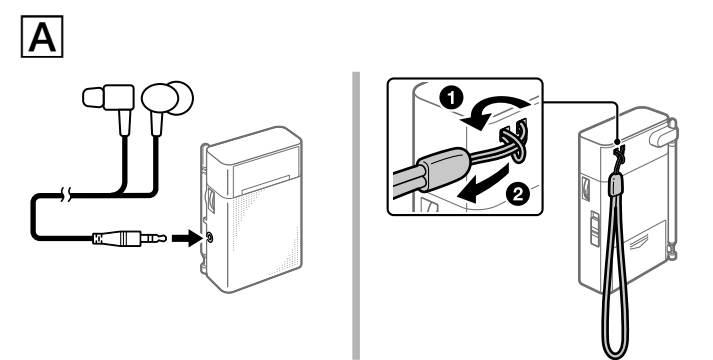
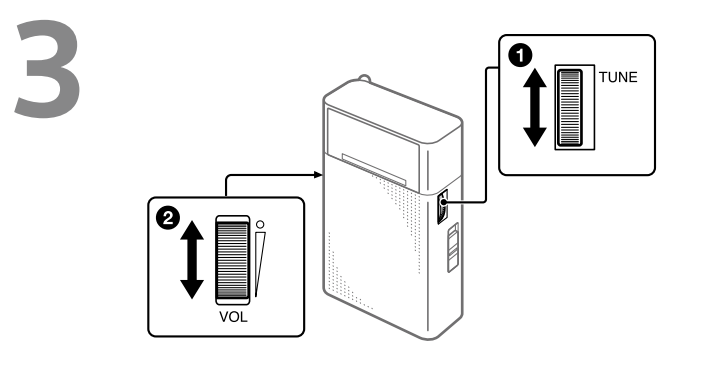
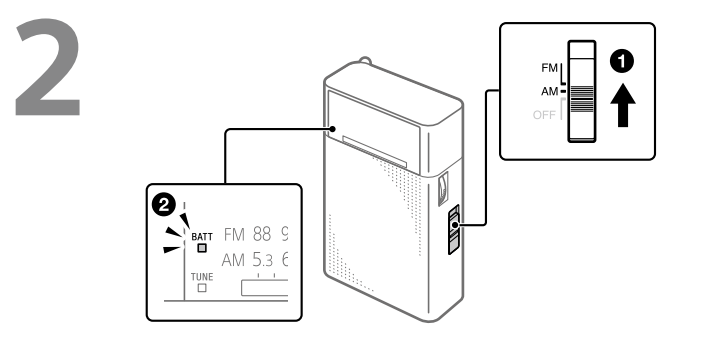
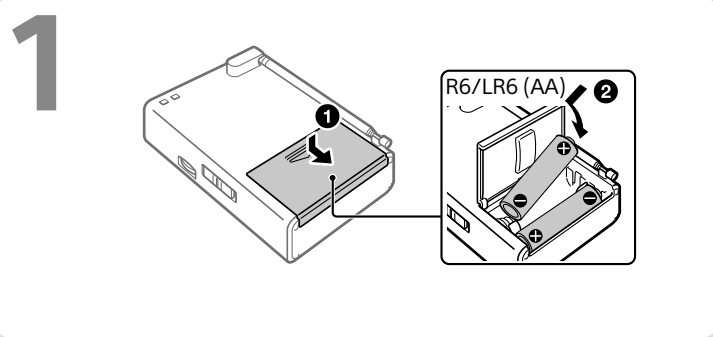


# FM/AM Radio Radio FM/AM

Operating Instructions  
Manual de instrucciones  
Mode d'emploi



ICF-P27



**English**

Before operating the unit, please read this guide thoroughly and retain it for future reference.

**WARNING**  
Batteries or battery installed apparatus shall not be exposed to excessive heat such as sunshine, fire or the like.

Do not install the appliance in a confined space, such as a bookcase or built-in cabinet.

Do not expose the appliance to naked flame sources (for example, lighted candles).

The nameplate and important information concerning safety are located on the bottom exterior.

**Owner's Record**  
The model and serial numbers are located on the bottom of the unit. Record the serial number in the space provided below. Refer to these numbers whenever you call upon your Sony dealer regarding this product.

Model No. ICF-P27  
Serial No. \_\_\_\_\_

**Notice for the customers in the USA**  
The following FCC statement applies only to the version of this model manufactured for sale in the U.S.A. Other versions may not comply with FCC technical regulations.

**NOTE:**  
For United States customers. Not applicable in Canada, including in the province of Quebec.

**NOTE:**  
This equipment has been tested and found to comply with the limits for a Class B digital device, pursuant to Part 15 of the FCC Rules. These limits are designed to provide reasonable protection against harmful interference in a residential installation. This equipment generates, uses, and can radiate radio frequency energy and, if not installed and used in accordance with the instructions, may cause harmful interference to radio communications. However, there is no guarantee that interference will not occur in a particular installation. If this equipment does cause harmful interference to radio or television reception, which can be determined by turning the equipment off and on, the user is encouraged to try to correct the interference by one or more of the following measures:

- Reorient or relocate the receiving antenna.
- Increase the separation between the equipment and receiver.
- Connect the equipment into an outlet on a circuit different from that to which the receiver is connected.
- Consult the dealer or an experienced radio/TV technician for help.

**If you have any questions about this product:**  
Visit: <https://www.sony.com/electronics/support>  
Contact: Sony Customer Information Service Center at 1-800-222-7669  
Write: Sony Customer Information Service Center 12451 Gateway Blvd., Fort Myers, FL 33913

**Supplier's Declaration of Conformity**  
Trade Name: SONY  
Model: ICF-P27  
Responsible Party: Sony Electronics Inc.  
Address: 16535 Via Esprillo, San Diego, CA 92127 U.S.A.  
Telephone Number: 858-942-2230

This device complies with part 15 of the FCC rules. Operation is subject to the following two conditions: (1) This device may not cause harmful interference, and (2) this device must accept any interference received, including interference that may cause undesired operation.

**CAUTION**  
You are cautioned that any changes or modifications not expressly approved in this manual could void your authority to operate this equipment.

To prevent possible hearing damage, do not listen at high volume levels for long periods.



Risk of explosion if the battery is replaced by an incorrect type. Replace only with the same or equivalent type. Dispose of used batteries according to the instructions.

**Do not place this product close to medical devices**

This product (including accessories) has magnet(s) which may interfere with pacemakers, programmable shunt valves for hydrocephalus treatment, or other medical devices. Do not place this product close to persons who use such medical devices. Consult your doctor before using this product if you use any such medical device.

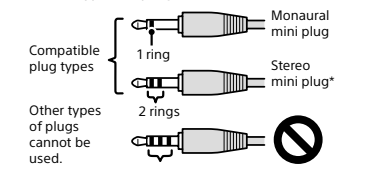
**Operations**  
1. Insert the batteries.  
2. Switch the selector to [FM] or [AM]. The [BATT] lamp will light up and the power will turn on.  
3. Set the frequency using the [TUNE] dial (①) and adjust the volume using the [VOL] dial (②).

**A**  
Connect the earphones (left illustration). Attach the hand strap (right illustration).

**B**  
For better reception, follow these instructions.  
• For FM broadcasting, adjust the angle of the antenna.  
• For AM broadcasting, adjust the orientation of the unit.  
• For indoor use, place the unit in a location where it is easy to receive radio waves.  
• Avoid placing the unit near TVs, microwave ovens, or other electric devices that emit radio waves.

**Precautions**

- Operate the unit only on 3 V DC with two R6/LR6 (size AA) batteries.
- Avoid exposure to temperature extremes, direct sunlight, moisture, sand, dust or mechanical shock. Never leave in a car parked under the sun. Do not place the unit under lighting equipment that may become hot.
- Should anything fall into the unit, remove the batteries, and have the unit checked by qualified personnel before operating it any further.
- Since a strong magnet is used for the speaker, keep personal credit cards using magnetic coding or spring-wound watches away from the unit to prevent possible damage from the magnet.
- When the casing becomes soiled, clean it with a soft dry cloth moistened with mild detergent solution.
- Never use abrasive cleansers, paint thinner, benzine, alcohol, or similar materials, as they may deform the casing.
- Make sure not to splash water on the unit. This unit is not waterproof.
- Listening with this unit at high volume may affect your hearing. For traffic safety, do not use this unit while driving or cycling.
- Note on static electricity  
Static electricity accumulated in the body may cause mild tingling in your ears. To reduce the effect, wear clothes made from natural materials, which suppress the generation of static electricity.
- Depending on the strength of radio signals, the TUNE (tuning) indicator may not light up even if a broadcast is being received. Furthermore, the indicator may light up incorrectly due to extraneous noise even when a broadcast is not being received. Use the TUNE indicator as a reference.
- When connecting headphones (not supplied) to the unit, use headphones with a stereo (3-pole) or monaural (2-pole) mini plug. Sound may not be heard when using other types of plugs.



\* When connecting stereo headphones, you will hear monaural sound in both ears.

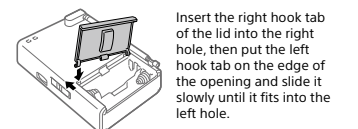
**When to replace the batteries**  
Replace all batteries with new ones when the BATT (battery) indicator turns off.

\* Even after the BATT (battery) indicator turns off, you can still listen to the radio for a short period of time.

**Notes on batteries**

- Do not mix an old battery with a new one or mix different type of batteries.
- When you are not going to use the unit for a long time, remove the batteries to avoid damage from battery leakage and corrosion.
- Do not expose the batteries (battery pack or batteries installed) to excessive heat such as sunshine, fire or the like for a long time.
- Check if the batteries are inserted in the correct orientation (+ and -) when the radio does not turn on after battery replacement.
- Batteries have a recommended use-by date for proper use. When using expired batteries, battery life will be extremely short. Check the use-by date on the batteries and if they are expired, replace them with new ones.

**If the battery compartment cover comes off**



If you have any questions or problems concerning your unit, please consult your nearest Sony dealer.

**Specifications**  
**Frequency range:** FM: 87.5 MHz - 108 MHz/ AM: 530 kHz - 1 710 kHz  
**Speaker:** Approx. 5.7 cm (2 1/4 inches) dia., 8 Ω  
**Output:** ∅ (headphones) jack (∅3.5 mm (5/32 inches) mini jack)  
**Power output:** 100 mW (at 10 % harmonic distortion)  
**Power requirements:** 3 V DC, two R6/LR6 (size AA) batteries  
**Battery life\*:** Approx. 94 hours (FM reception)/ Approx. 99 hours (AM reception)

\* When listening through the speaker on alkaline batteries. The actual battery life varies significantly depending on battery type (such as rechargeable batteries), usage and circumstances.

**Dimensions (W/H/D):** Approx. 69.5 mm x 119 mm x 38 mm (2 3/4 inches x 4 3/4 inches x 1 1/2 inches) (incl. projecting parts)  
**Mass:** Approx. 192 g (7 oz) (incl. batteries)  
**Supplied accessory\*:** Hand strap (1)

\* Headphones are not included.

Design and specifications are subject to change without notice.

