



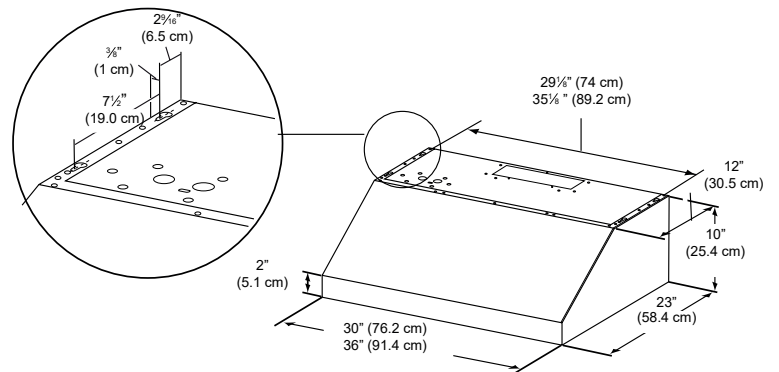
3X LAYER
MESH FILTER



LED LIGHT

ELICA'S EXCLUSIVE
PLUS FEATURES

Available in 30" and 36" widths and only 10" high, the Sora offers professional styling and adequate power for most cooking needs. Sora features a 400 CFM blower with dishwasher safe anodized aluminum mesh filters, halogen lighting and rocker switch controls for convenience and safety. Sora is sure to deliver easy maintenance, higher efficiency and a cleaner kitchen



≥24"



≥30"

MOUNTING
HEIGHT
RANGE

COMFORT SERIES
SORA



SPECIFICATIONS



	30" UNIT	36" UNIT
Model:	ESR430SS	ESR436SS
Dimensions:	30" W x 23"D x 10"H	36" W x 23"D x 10"H
Blower Type(internal):	400 CFM, 2-Speed Internal	
Blower Performance:	Min: 1.5, Max: 5.9 Sones	
Noise (sones):	Stainless Steel	
Working Speed	Rocker Controls	
Finish:	2, 2.1 W LED Lamps	
Controls:	2, Baffle Slot Grease Filters	
Illumination:	31/4" x 10" with Back Draft Damper (top or rear)	
Filter Type:	Ducted or Recirculating Installation (Recirculating Kit Sold Separately)	
Duct Transition:	120 Volts, 60 Hertz, 340 Watts at 2.8 Amps	
Installation Type:		
Electrical:		
KITS:		
Optional Recirculating		
Recirculating Kit	KIT02770	
CFM Reduction Kit	KIT02748	
CONSUMABLE PARTS:		
Replacement Grease Filter (1)	GF09EA	GF09FA
Replacement Light Bulb (1)	42006BH	
WARRANTY:	2 YEARS PARTS AND LABOR, EARN A 3RD YEAR OF FULL FACTORY WARRANTY REGISTERING YOUR PRODUCT ON ELICA.COM	

** For valid warranty extension, register within 3 months from purchase. For USA & Canada Users only

*The product images shown are for illustration purposes only and may not be an exact representation of the product.

PLUS FEATURES



3X LAYER GREASE FILTER - Elica aluminum mesh filters are a step above competition, featuring triple layered, anodized aluminum that is woven into a highly dense mesh. The thick mesh captures more grease, anodization helps resist staining and provides durability to repeated cleanings in the dishwasher.



LED LIGHT - LED lighting is undoubtedly the smartest solution in terms of energy saving. Expected life time of over 20,000 hours, represents the most remarkable advantage of LED light bulbs.