

TECHNE SERIES
BELLAGIO



3X LAYER MESH FILTER



CFM REDUCTION



HEAT GUARD



CLEAN FILTER ALARM



REPLACE FILTER ALARM

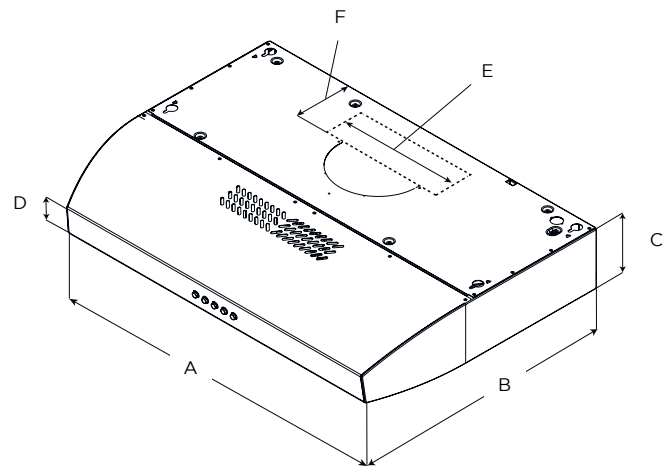


LED LIGHT

ELICA'S EXCLUSIVE PLUS FEATURES

With a compact 4 ¾" height, Bellagio is an ideal choice where under-cabinet space is limited. An upgraded 4-speed, 430 CFM internal blower provides sufficient ventilation power for most kitchens. Bellagio also offers convenient LED Lights, dishwasher-safe, anodized aluminum mesh filters and multi-function electronic controls with LCD display.

Available in 30" or 36" width, Bellagio is designed for standard ducted installation, and can also be installed as a recirculating system using the Recirculating Kit, available as an accessory.



MOUNTING HEIGHT RANGE

Models		
	EBL430S1	EBL436S1
A	30" (76.2 cm)	36" (91.4 cm)
B	20" (50.8 cm)	
C	4 7/10" (12 cm)	
D	2 5/8" (5.7 cm)	
E	3 1/4" x 10" (8.3 x 25.4 cm)	
F	5 1/10" (13 cm)	

SPECIFICATIONS



	30" UNIT	36" UNIT
Model:	EBL430S1	EBL436S1
Dimensions:	30"W x 20"D x 4 3/4"H	36"W x 20"D x 4 3/4"H
Blower Type(internal):	400 CFM, 4-Speed Internal	
Blower Performance:		
Speed 1	160 CFM	
Speed 2	240 CFM	
Speed 3	310 CFM	
Speed 4	430 CFM	
Noise (sones): Woking Speed	Min: 1.4, Max: 7.1	
Finish:	Stainless Steel	
Controls:	Multi-function electronic with LCD display	
Illumination:	2 LED Lights	
Filter Type:	2, Dishwasher-Safe, Anodized Aluminum Mesh	
Installation Type:	Ducted or Recirculating Installation (Recirculating Kit Sold Separately)	
Duct Transition:	3 1/4" x 10" with Back Draft Damper (top or rear), or 7" Round (top) sold separately	
Electrical:	120V – 60 Hz, 445 Watts at 3.6 Amps	
KITS:		
Optional Recirculating Kit	KIT02178	KIT02179
Optional Stainless Steel Mesh Grease Filter	GRI0131086A	GRI0131087A
Optional Backdraft Damper, 7" Round	KIT02723	
CONSUMABLE PARTS:		
Replacement Grease Filter (1)	GF04BA	GF04BB
Replacement Carbon Filter (1)	TM01FA	TM01FB
Replacement Light Bulb (1)	2006BH	
	*Consumable parts are sold in units of one (1). Order accordingly	
WARRANTY:	2 YEARS PARTS AND LABOR, EARN A 3RD YEAR OF FULL FACTORY WARRANTY REGISTERING YOUR PRODUCT ON ELICA.COM	

** For valid warranty extension, register within 3 months from purchase. For USA & Canada Users only

*The product images shown are for illustration purposes only and may not be an exact representation of the product.

PLUS FEATURES



3X LAYER GREASE FILTER - Elica aluminum mesh filters are a step above competition, featuring triple layered, anodized aluminum that is woven into a highly dense mesh. The thick mesh captures more grease, anodization helps resist staining and provides durability to repeated cleanings in the dishwasher.



CFM REDUCTION - CFM Reduction System (CRS), is an exclusive feature to Elica hoods, which enables the user to reduce directly in the control the maximum blower CFM, to meet local code requirements.



HEAT GUARD - A safety feature that protects the hood and cabinetry from excessive heat, by sensing extreme temperatures (>158 degrees) and will automatically adjusts the blower speed to HIGH. Blower speed will automatically adjust back once temperatures drop to a safe level.



LED LIGHT - LED lighting is undoubtedly the smartest solution in terms of energy saving. Expected life time of over 20,000 hours, represents the most remarkable advantage of LED light bulbs.