

COMFORT SERIES  
**ASTI 30"**



3X LAYER  
 MESH FILTER



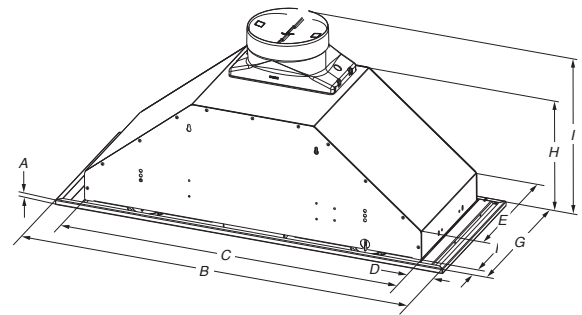
LED LIGHT

ELICA'S EXCLUSIVE  
 PLUS FEATURES

Asti is designed for discreet mounting inside cabinetry, fits perfectly into 12" deep cabinetry and is ideal for kitchens where space is limited or the range hood needs to be out of sight.

Asti comes equipped with a powerful 400 CFM blower that can handle most cooking needs.

Convenient Mechanical Push Button Controls operate the 3 speed blower and LED lighting, while dishwasher safe anodized aluminum mesh filters covered by a stainless steel protective layer, offer easy maintenance. Asti is designed for standard ducted or recirculating installation.



	EAS430SS
<b>A</b>	3/8"
<b>B</b>	30"
<b>C</b>	26"
<b>D</b>	2"
<b>E</b>	10 3/4"
<b>F</b>	3/4"
<b>G</b>	11 7/8"
<b>H</b>	9 1/8"
<b>I</b>	13 5/8"



≥24"



≥30"

MOUNTING  
 HEIGHT  
 RANGE

For gas and electric ranges installation: Mount this hood so that the bottom edge is at minimum 30" above the cooking surface.

SPECIFICATIONS



	30" Unit
Model:	EAS430SS
Dimensions:	30 "W x 11 7/8 "D x 13 5/8" H
Blower Type(internal):	400 CFM (3 -speed)
Blower Performance:	
Speed 1	160 CFM
Speed 2	280 CFM
Speed 3	400 CFM
Noise (sones):	
Working Speed	
Finish:	Stainless Steel
Controls:	Mechanical Push Button
Illumination:	2 LED, 6.5 Watts
Filter Type:	Aluminum mesh + Stainless Steel layer
Aluminum Mesh Filters:	2
Duct Transition:	6" Round with Back Draft Damper (top only)
Installation Type:	Ducted (Recirculating Kit sold separately)
Electrical:	120 V - 60 Hz 340 Wattage
KITS:	
Recirculating Kit with 2 carbon filters:	KIT02770
CFM Reduction Kit:	KIT02748
CONSUMABLE PARTS:	
Grease Filter (1):	
Carbon Filter(1):	
Light Bulb (1):	

\*Consumable parts are sold in units of one (1). Order accordingly

\*The product images shown are for illustration purposes only and may not be an exact representation of the product.

PLUS FEATURES



**3X LAYER GREASE FILTER** - Elica aluminum mesh filters are a step above competition, featuring triple layered, anodized aluminum that is woven into a highly dense mesh. The thick mesh captures more grease, anodization helps resist staining and provides durability to repeated cleanings in the dishwasher.



**LED LIGHT** - LED lighting is undoubtedly the smartest solution in terms of energy saving. Expected life time of over 20,000 hours, represents the most remarkable advantage of LED light bulbs.