

ME21A706BQN

SAMSUNG

BESPOKE 2.1 cu. ft. Over-the-Range Microwave



Signature Features

BESPOKE Design

BESPOKE over-the-range Microwave is available in two complementary colours to the BESPOKE 4-Door Flex™ Refrigerator. Create your kitchen space in your style in either navy or white glass.

Precise Glass-Touch Controls

Glass touch provides precise controls with a seamless, integrated design.

Sensor Cook

Automatically adjusts cooking time for optimal results.

Triple Distribution System

Distributes microwaves in 3 directions which ensures that food is cooked thoroughly and evenly.

Available Colours



Navy Steel (shown)



Clean White Glass



Precise Glass-Touch Controls



Sensor Cook

Features

- 1.7 cu. ft. Oven Capacity
- Large Capacity
- 1000 Watts of Cooking Power
- 400 CFM Ventilation System
- Ceramic Enamel Interior
- Recessed Handle
- LED Cooktop Lighting
- Simple Clean Filter
- Charcoal/Grease Vent Filter
- 10 Power Levels
- Two-Stage Programmable Cooking
- Smart & 1- Pound Defrost
- Auto Cook
- Chrome Rack
- LED Display

Convenience

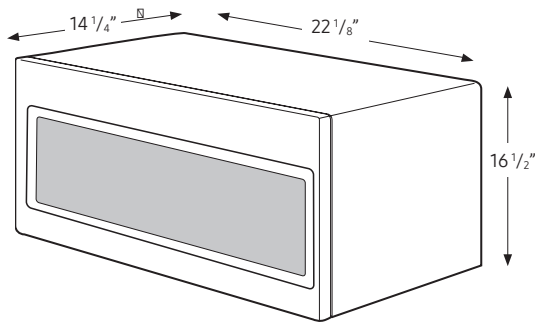
- Kitchen Timer
- Clock (12 hr/24 hr) with Daylight Saving Time Adjustment
- Child Safety Lock
- Reminder End Signal
- Cooktop Lighting (LED): High/Low/Off
- Vent Fan Control: On/Off/Delay Off
- Sound On/Off
- Eco Mode (Reduces Standby Power)

ME21A706BQN

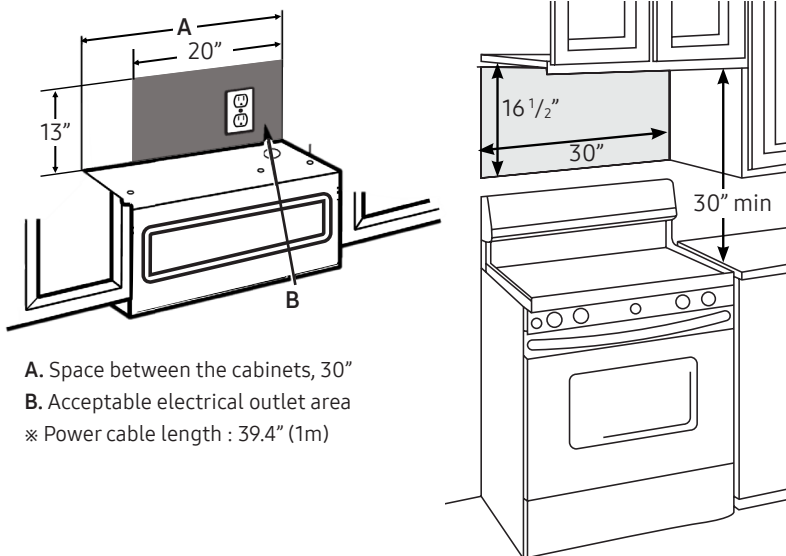
SAMSUNG

BESPOKE 2.1 cu. ft. Over-the-Range Microwave

Dimensions



Installation Specifications



- A. Space between the cabinets, 30"
B. Acceptable electrical outlet area
※ Power cable length : 39.4" (1m)

This microwave oven is designed for adaptation to the following three types of ventilation:

- A. Outside Top Exhaust (Vertical Duct)
B. Recirculating (Non-Vented Ductless)
C. Outside Back Exhaust (Horizontal Duct)

- The space between the cabinets must be 30" wide and free of obstructions.
- This microwave oven is for installation over ranges up to 36" wide.
- The microwave must be level. Use a level to make sure the cabinet bottom is level. If the cabinets have a front overhang only, with no back or side frame, install the mounting plate down the same distance as the front overhang depth. This will keep the microwave level.

FOR EASIER INSTALLATION AND PERSONAL SAFETY, WE RECOMMEND THAT TWO PEOPLE INSTALL THIS MICROWAVE OVEN.

IMPORTANT: Do not grip or use handle during installation.

NOTE: If your cabinet is metal, use the nylon grommet around the power cord hole to prevent cutting of the cord.

NOTE: We recommend using filler blocks if the cabinet front below the cabinet bottom shelf.

IMPORTANT: If filler blocks are not used, case damage may occur from overtightening screws.

NOTE: When mounting the microwave oven, thread power cord through hole in bottom of top cabinet.

Do not pinch cord or lift oven by pulling cord.

Specifications:

Oven Cavity: 2.1 cu. ft.
Power Output: 1000W
Power Consumption: 1700W/14.5 A
Power Source: 120V/60 Hz
Control Method: Digital (Glass Touch)
Display: LED (Ice Blue)
Cooking Control: 10 Power Levels Including Defrost
Cooking Timer: Digital, up to 99 Minutes, 99 Seconds
Microwave Distribution System: Rotating Turntable + Stirrer
Glass Turntable Diameter: 14 ³/₁₆"
Chrome Rack (1)
Vent Fan: 400 CFM
Vent Fan Control: On/Off/Delay Off
Cooktop Lighting: High/Low/Off
Halogen Interior Light

Warranty

One (1) Year Parts and Labour
Five (5) Years Parts on Magnetron Microwave Technology

Product Dimensions & Weight (WxHxD)

Dimensions: 22 ¹/₈" x 10 ¹³/₁₆" x 14 ¹/₄"
Outside Net Dimensions: 29 ⁷/₈" x 17 ¹/₁₆" x 16 ¹/₂"
Weight: 59.1 lbs (26.8 Kg)

Shipping Dimensions & Weight (WxHxD)

Dimensions: 33 ³/₈" x 20 ¹³/₁₆" x 19 ³/₈"
Weight: 67.2 lbs. (30.5 Kg)

Colour	Model #	UPC Code
Navy Steel	ME21A706BQN	887276628998
Clean White Glass	ME21B706B12	887276629001