



ENGLISH

ESPAÑOL

FRANÇAIS

OWNER'S MANUAL

HOOD

Read this owner's manual thoroughly before operating the appliance and keep it handy for reference at all times.

LSHD3689BD LSHD3089BD
LSHD3680ST LSHD3080ST



MFL70282902_06

www.lg.com

Copyright © 2017 - 2020 LG Electronics Inc. All Rights Reserved.

TABLE OF CONTENTS

3 IMPORTANT SAFETY INSTRUCTIONS

6 PRODUCT OVERVIEW

- 6 Parts
- 6 Specifications

7 OPERATION

8 SMART FUNCTIONS

- 8 LG ThinQ Application
- 9 FCC Notice
- 9 FCC RF Radiation Exposure Statement
- 9 Industry Canada Statement
- 9 IC Radiation Exposure Statement

11 MAINTENANCE

- 11 Surface Maintenance
- 11 Aluminum Mesh Filters
- 11 Removing Mesh Filters

12 TROUBLESHOOTING

- 12 Before Calling for Service

14 LIMITED WARRANTY (USA)

17 LIMITED WARRANTY (CANADA)

IMPORTANT SAFETY INSTRUCTIONS

Read and follow all instructions when using the range to prevent the risk of fire, electric shock, personal injury, or damage. This guide does not cover all possible conditions that may occur. Always contact your service agent or manufacturer about problems that you do not understand.

Download this owner's manual at: <http://www.lg.com>



This is the safety alert symbol. This symbol alerts you to potential hazards that can result in property damage and/or serious bodily harm or death.

All safety messages will follow the safety alert symbol and either the word **WARNING** or **CAUTION**. These words mean:



WARNING - Indicates a hazardous situation which, if not avoided, could result in death or serious injury.



CAUTION - Indicates a hazardous situation which, if not avoided, could result in minor or moderate injury.



WARNING

- To avoid the possibility of explosion or fire, do not store or use combustible, flammable or explosive vapors and liquids (such as gasoline) inside or in the vicinity of this or any other appliance. Also keep items that could explode, such as aerosol cans, away from cooktop burners, ovens and range hoods. Do not store flammable or explosive materials in adjacent cabinets or areas.
- **TO REDUCE THE RISK OF FIRE, ELECTRIC SHOCK, OR INJURY TO PERSONS, OBSERVE THE FOLLOWING:**
 - Use this unit only in the manner intended by the manufacturer. If you have questions, contact the manufacturer.
 - Before servicing or cleaning unit, switch power off at service panel and lock the service panel door to prevent power from being switched on accidentally. When the service panel door cannot be locked, securely fasten a prominent warning device, such as a tag, to the service panel.



CAUTION

- For general ventilating use only. **DO NOT** use to exhaust hazardous or explosive materials and vapors.

GENERAL SAFETY PRECAUTIONS

To reduce the risk of fire, electric shock, serious injury or death when using the range hood, follow basic safety precautions, including the following:

WARNING

- If you receive a damaged product, immediately contact your dealer or builder. Do not install or use a damaged hood.
- Make sure that the range hood has been properly installed and grounded by a qualified installer according to the accompanying installation instructions. Have the installer show you the location of the fuse or junction box so that you know where and how to turn the power off.
- Do not install, repair or replace any part of the range hood unless specifically recommended in the literature accompanying it. A qualified service technician should perform all other service.
- To avoid the risk of electric shock, before servicing the range hood, switch power off at the fuse or junction box and lock the electrical panel door to prevent power from being switched on accidentally. When the electrical panel cannot be locked, securely fasten a prominent warning device, such as a tag, to the service panel.
- To avoid the risk of electric shock, before cleaning the range hood, turn off the main power switch.
- Use the range hood only for its intended purpose as outlined in this manual. **DO NOT** use this range hood to vent hazardous or explosive materials or vapors. If you have questions, contact the manufacturer.
- Do not tamper with the controls.
- Never allow the filters to become blocked or clogged. Do not allow foreign objects, such as cigarettes or napkins, to be sucked into the hood.
- If the cooktop and range hood are near a window, use an appropriate window treatment. Avoid long drapes or other window coverings that could blow over the cooktop and hood, resulting in a fire hazard.
- Always run the fan(s) whenever the cooktop is operating.
- Do not leave children alone or unattended in the area where the cooktop and range hood are in use. Never allow children to sit or stand on an appliance. Do not let children play with a range, cooktop or range hood. Do not store items of interest to children above or around the cooktop, range or range hood.
- The minimum vertical distance between the cooktop surface and the exterior part of the hood must be no less than 26" (66 cm). The required vertical distance may be longer for the range or cooktop being used. Consult the range or cooktop installation instructions for the minimum vertical distance from the appliance being used.
- To reduce the risk of a range-top grease fire:
 - Never leave surface units unattended at high settings. Boil-overs cause smoking and greasy spill-overs that may ignite. Heat oils slowly on low or medium settings.
 - Always turn hood ON when cooking at high heat or when flambéing food (i.e. Crepes Suzette, Cherries Jubilee, Peppercorn Beef Flambé).
 - Clean ventilating fans frequently. Grease should not be allowed to accumulate on fan or filter.
 - Use proper pan size. Always use cookware appropriate for the size of the surface element.

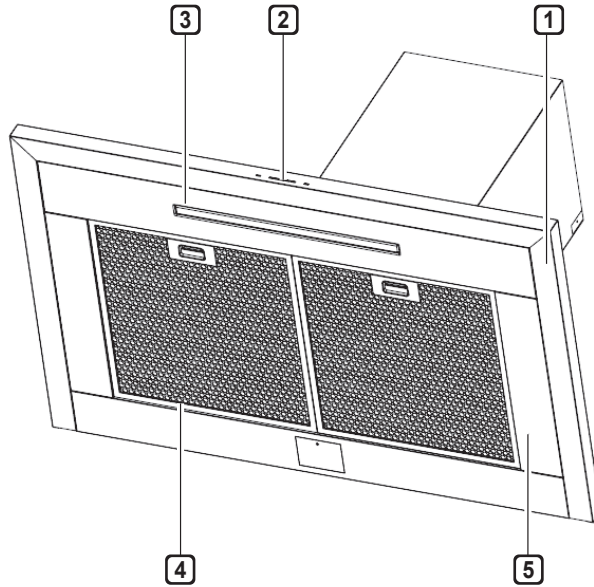
 **WARNING**

- TO REDUCE THE RISK OF INJURY TO PERSONS IN THE EVENT OF A RANGE-TOP GREASE FIRE:
 - SMOTHER FLAMES with a close-fitting lid, cookie sheet or metal tray, then turn off the burner. BE CAREFUL TO PREVENT BURNS. If the flames do not go out immediately, EVACUATE AND CALL THE FIRE DEPARTMENT.
 - NEVER PICK UP A FLAMING PAN - you may be burned.
 - DO NOT USE WATER, including wet dish cloths or towels - a violent steam explosion may result.
 - Use a fire extinguisher ONLY if:
 - You have a Class ABC extinguisher, and you already know how to operate it.
 - The fire is small and contained in the area where it started.
 - The fire department is being called.
 - You can fight the fire with your back to an exit.

READ AND SAVE THESE INSTRUCTIONS

PRODUCT OVERVIEW

Parts

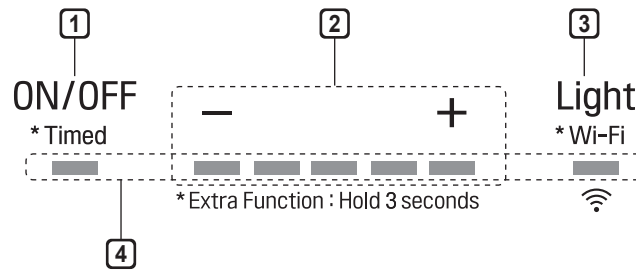


- 1 HOOD
- 2 ICON TOUCH CONTROL PANEL
- 3 LED STRIP LIGHT
- 4 MESH FILTER
- 5 SIDE PANEL (Only for LSHD3689BD, LSHD3680ST)

Specifications

Hood Models	LSHD3689BD, LSHD3680ST, LSHD3089BD, LSHD3080ST
Hood Width	LSHD3689BD, LSHD3680ST : 36 Inches LSHD3089BD, LSHD3080ST : 30 Inches
Filters	2 pcs
Lights	1(LED Strip type)

OPERATION



1 POWER / DELAY OFF BUTTON ON/OFF *Timed

Power Button Function

- ON/OFF
*Timed Button will turn power on and off for entire hood (fan and lights).
- Hood will remember the last speed and light level it was turned off at.
(Example: Press the ON/OFF
*Timed button to turn off the hood with fan speed at level 4 and lights on high. Press the ON/OFF
*Timed again and the hood will turn on with the fan speed set to 4 and the lights on high.)

Delay Off Button Function

- With the fan on, press and hold the ON/OFF
*Timed button for three seconds. The fan will change to speed 1 and the 5 minute delay off timer will start.
ON/OFF
*Timed + — + LEDs will illuminate and slowly blink in accordance with the time remaining until the fan and lights automatically turn off.
- Pressing the ON/OFF
*Timed button while the Delay Off Function is enabled will turn the hood off and cancel the Delay Off Function.

2 SPEED SELECTION BUTTON

Fan Speed Decrease Button —

- Press this button to decrease fan speed. 5, 4, 3, 2, 1.
- If fan is On at level 1 and this button is pressed, fan will power Off.

Fan Speed Increase Button +

- Press this button to increase fan speed. Fan On, 1, 2, 3, 4, 5.
- If hood is Off and this button is pressed, fan will turn On at level 1.

3 LIGHT BUTTON Light *Wi-Fi

- The light has two levels: High and Low.
- From off, press one time for High. Press again for Low. Press again to power lights off.
- Press and hold the Light button for 3 seconds to connect to a home Wi-Fi network. See page 8 for more information.



4 DISPLAY INDICATORS

Mesh Filter Clean Reminder (always enabled)

- After 30 hours of fan usage, the — button indicator will begin to slowly blink indicating it is time to clean the mesh filters.
- **To reset:** With hood off: hold the — button for three seconds. All LED indicators will blink two times confirming the 30 hour timer has been reset.

SMART FUNCTIONS

LG ThinQ Application

This feature is only available on models with the  or  logo.

The **LG ThinQ** application allows you to communicate with the appliance using a smartphone.

LG ThinQ Application Features

Settings

Allows you to set various options on the oven and in the application.

Monitoring

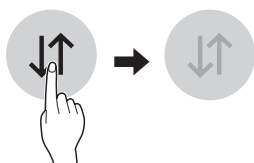
This function helps you recognize the current status, remaining time, cook settings and end time on the screen.

NOTE

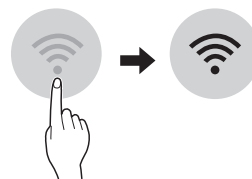
- If you change your wireless router, Internet service provider, or password, delete the registered appliance from the **LG ThinQ** application and register it again.
- This information is current at the time of publication. The application is subject to change for product improvement purposes without notice to users.
- This feature is only available on some models.

Before Using LG ThinQ Application


- 1 Use a smartphone to check the strength of the wireless router (Wi-Fi network) near the appliance.
 - If the distance between the appliance and the wireless router is too far, the signal becomes weak. It takes long time to register or fails to install the application.
- 2 Turn off the **Mobile data** or **Cellular Data** on your smartphone.



- 3 Connect your smartphone to the wireless router.



NOTE

- To verify the Wi-Fi connection, check that **Wi-Fi**  icon on the control panel is lit.
- The appliance supports 2.4 GHz Wi-Fi networks only. To check your network frequency, contact your Internet service provider or refer to your wireless router manual.
- **LG ThinQ** is not responsible for any network connection problems or any faults, malfunctions, or errors caused by network connection.
- The surrounding wireless environment can make the wireless network service run slowly.
- If the appliance is having trouble connecting to the Wi-Fi network, it may be too far from the router. Purchase a Wi-Fi repeater (range extender) to improve the Wi-Fi signal strength.
- The network connection may not work properly depending on the Internet service provider.
- The Wi-Fi connection may not connect or may be interrupted because of the home network environment.
- If the appliance cannot be registered due to problems with the wireless signal transmission, unplug the appliance and wait about a minute before trying again.
- If the firewall on your wireless router is enabled, disable the firewall or add an exception to it.
- The wireless network name (SSID) should be a combination of English letters and numbers. (Do not use special characters.)
- Smartphone user interface (UI) may vary depending on the mobile operating system (OS) and the manufacturer.
- If the security protocol of the router is set to **WEP**, network setup may fail. Change the security protocol (**WPA2** is recommended), and register the product again.

Installing the LG ThinQ Application

Search for the **LG ThinQ** application from the Google Play Store or Apple App Store on a smartphone. Follow instructions to download and install the application.

Wireless LAN Module Specifications

Model	LCW-003
Frequency Range	2412 - 2462 MHz
Output Power (Max)	< 30 dBm

FCC Notice

- For transmitter module contained in this product

This equipment has been tested and found to comply with the limits for a Class B digital device, pursuant to Part 15 of the FCC Rules. These limits are designed to provide reasonable protection against harmful interference in a residential installation. This equipment generates, uses, and can radiate radio frequency energy and, if not installed and used in accordance with the instructions, may cause harmful interference to radio communications. However, there is no guarantee that interference will not occur in a particular installation. If this equipment does cause harmful interference to radio or television reception, which can be determined by turning the equipment off and on, the user is encouraged to try to correct the interference by one or more of the following measures:

- Reorient or relocate the receiving antenna.
- Increase the separation between the equipment and the receiver.
- Connect the equipment to an outlet on a circuit different from that to which the receiver is connected.
- Consult the dealer or an experienced radio/TV technician for help.

This device complies with part 15 of the FCC Rules. Operation is subject to the following two conditions:

- (1) This device may not cause harmful interference and
- (2) This device must accept any interference received, including interference that may cause undesired operation of the device.

Any changes or modifications in construction of this device which are not expressly approved by the party responsible for compliance could void the user's authority to operate the equipment.

FCC RF Radiation Exposure Statement

This equipment complies with FCC radiation exposure limits set forth for an uncontrolled environment. This transmitter must not be colocated or operating in conjunction with any other antenna or transmitter.

This equipment should be installed and operated with a minimum distance of 20 cm (7.8 inches) between the antenna and your body. Users must follow the specific operating instructions for satisfying RF exposure compliance.

Industry Canada Statement

- For transmitter module contained in this product

This device contains licence-exempt transmitter(s)/ receiver(s) that comply with Innovation, Science and Economic Development Canada's licence exempt RSS(s). Operation is subject to the following two conditions:

- (1) This device may not cause interference.
- (2) This device must accept any interference, including interference that may cause undesired operation of the device.

IC Radiation Exposure Statement

This equipment complies with IC radiation exposure limits set forth for an uncontrolled environment.

This equipment should be installed and operated with a minimum distance of 20 cm (7.8 inches) between the antenna and your body.

NOTE

THE MANUFACTURER IS NOT RESPONSIBLE FOR ANY RADIO OR TV INTERFERENCE CAUSED BY UNAUTHORIZED MODIFICATIONS TO THIS EQUIPMENT. SUCH MODIFICATIONS COULD VOID THE USER'S AUTHORITY TO OPERATE THE EQUIPMENT.

Open Source Software Notice Information

To obtain the source code under GPL, LGPL, MPL, and other open source licenses, that is contained in this product, please visit <http://opensource.lge.com>. In addition to the source code, all referred license terms, warranty disclaimers and copyright notices are available for download.

LG Electronics will also provide open source code to you on CD-ROM for a charge covering the cost of performing such distribution (such as the cost of media, shipping, and handling) upon email request to opensource@lge.com. This offer is valid for a period of three years after our last shipment of this product. This offer is valid to anyone in receipt of this information.

MAINTENANCE

Surface Maintenance

Clean periodically with hot soapy water and a clean cotton cloth. Do not use corrosive or abrasive detergent, or steel wool/scouring pads which will scratch and damage surface. Do not use products containing chlorine bleach or citrus-based cleaners.

For heavier soil use liquid degreaser.

After cleaning, you may use non-abrasive stainless steel polish or cleaners to polish and buff out the stainless luster and grain. Using a clean microfiber or cotton cloth, scrub lightly and with the grain.

Aluminum Mesh Filters

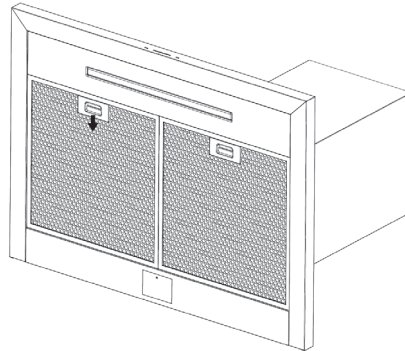
The aluminum mesh filters installed by the factory are intended to filter out residue and grease from cooking. They don't need to be replaced on a regular basis, as long as they are kept clean.

Remove and clean by hand or in dishwasher on low heat. Spray degreasing detergent and leave to soak if heavily soiled.

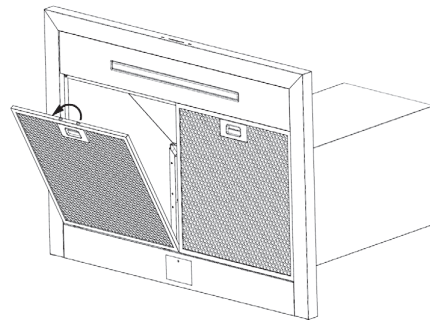
Dry filters and re-install before using hood.

Removing Mesh Filters

- 1 Push handle on filter toward back of range hood.



- 2 Pivot the front of the filter down and pull the filter forward to remove it.



- Follow these steps in reverse to reassemble the filter.

TROUBLESHOOTING

Before Calling for Service

Symptoms	Possible Causes / Solutions
After installation, the unit doesn't work.	<ul style="list-style-type: none"> • The power source is not turned ON. <ul style="list-style-type: none"> - Make sure the circuit breaker and the unit's power is ON. • The power cord and the cable locking connector are not connected properly. <ul style="list-style-type: none"> - Make sure the power cord is properly connected to the unit.
Lights work, but blower is not turning.	<ul style="list-style-type: none"> • The thermally protected system detects if the blower is too hot to operate and shuts the blower down. <ul style="list-style-type: none"> - The blower will function properly after the thermally protected system cools down.
The unit is vibrating.	<ul style="list-style-type: none"> • The blower is not securely in place. <ul style="list-style-type: none"> - Tighten the screws holding the blower in place. • Damaged blower wheel. <ul style="list-style-type: none"> - Call for service. • The hood is not secured in place. <ul style="list-style-type: none"> - Check the installation of the hood.
The blower is working, but the lights are not.	<ul style="list-style-type: none"> • Call for service.
The speed levels of the blower sound the same.	<ul style="list-style-type: none"> • Using the wrong size of ducting. <ul style="list-style-type: none"> - Change the ducting to at least 8" round or 3-1/4" x 10" rectangular for single blower or 10" round for dual blower.
The hood is not venting out properly.	<ul style="list-style-type: none"> • The hood might be hanging too far above the cook top. <ul style="list-style-type: none"> - Adjust the distance between the cook top and the bottom of the hood to within 26" to 36". • The wind from the opened windows or opened doors in the surrounding area are affecting the ventilation of the hood. <ul style="list-style-type: none"> - Close all windows and doors to eliminate the outside wind flow. • Blockage in the duct opening or duct work. <ul style="list-style-type: none"> - Clear any blockages from the duct work or duct opening. • The direction of duct opening is against the wind. <ul style="list-style-type: none"> - Adjust the duct opening direction. • Using the wrong size of ducting. <ul style="list-style-type: none"> - Change the ducting to correct size.
Mesh filter is vibrating.	<ul style="list-style-type: none"> • Mesh filter is loose. <ul style="list-style-type: none"> - Change the metal filter.
The unit turns on by itself.	<ul style="list-style-type: none"> • A spot light or kitchen lamp is shining directly onto the switch controls. <ul style="list-style-type: none"> - The switch controls are light sensitive. A light source aimed directly at the switch controls may disrupt switch functions.

Symptoms	Possible Causes / Solutions
Trouble connecting appliance and smartphone to Wi-Fi network	<ul style="list-style-type: none">• The password for the Wi-Fi network was entered incorrectly.<ul style="list-style-type: none">- Delete your home Wi-Fi network in the application and begin the registration process again.• Mobile data for your smartphone is turned on.<ul style="list-style-type: none">- Turn off the Mobile data on your smartphone before registering the appliance.• The wireless network name (SSID) is set incorrectly.<ul style="list-style-type: none">- The wireless network name (SSID) should be a combination of English letters and numbers. (Do not use special characters.)• The router frequency is not 2.4 GHz.<ul style="list-style-type: none">- Only a 2.4 GHz router frequency is supported. Set the wireless router to 2.4 GHz and connect the appliance to the wireless router. To check the router frequency, check with your Internet service provider or the router manufacturer.• The distance between the appliance and the router is too far.<ul style="list-style-type: none">- If the appliance is too far from the router, the signal may be weak and the connection may not be configured correctly. Move the router closer to the appliance or purchase and install a Wi-Fi repeater.

LIMITED WARRANTY (USA)

ARBITRATION NOTICE: THIS LIMITED WARRANTY CONTAINS AN ARBITRATION PROVISION THAT REQUIRES YOU AND LG TO RESOLVE DISPUTES BY BINDING ARBITRATION INSTEAD OF IN COURT, UNLESS YOU CHOOSE TO OPT OUT. IN ARBITRATION, CLASS ACTIONS AND JURY TRIALS ARE NOT PERMITTED. PLEASE SEE THE SECTION TITLED "PROCEDURE FOR RESOLVING DISPUTES" BELOW.

Should your LG Hood ("Product") fail due to a defect in materials or workmanship under normal and proper use, during the warranty period set forth below, LG Electronics ("LG") will, at its option, repair or replace the Product. This limited warranty is valid only to the original retail purchaser of the Product and applies only when purchased and used within the United States including U.S. Territories.

Warranty Period	Scope of Warranty
Two (2) year from date of original retail purchase	Parts and Labor (internal / functional parts only)

- Replacement products and parts are warranted for the remaining portion of the original warranty period or ninety (90) days, whichever is greater.
- Replacement products and parts may be new, reconditioned, refurbished, or otherwise factory remanufactured.
- Proof of original retail purchase specifying the Product model and date of purchase is required to obtain warranty service under this limited warranty.

EXCEPT TO THE EXTENT PROHIBITED BY APPLICABLE LAW, ANY IMPLIED WARRANTY OF MERCHANTABILITY OR FITNESS FOR A PARTICULAR PURPOSE ON THE PRODUCT IS LIMITED IN DURATION TO THE DURATION OF THE ABOVE LIMITED WARRANTY. UNDER NO CIRCUMSTANCES SHALL LG OR ITS U.S. DISTRIBUTORS/DEALERS BE LIABLE FOR ANY INDIRECT, INCIDENTAL, CONSEQUENTIAL, SPECIAL, OR PUNITIVE DAMAGES, INCLUDING, WITHOUT LIMITATION, LOST GOODWILL, LOST REVENUES OR PROFITS, WORK STOPPAGE, IMPAIRMENT OF OTHER GOODS, COST OF REMOVAL AND REINSTALLATION OF THE PRODUCT, LOSS OF USE, OR ANY OTHER DAMAGES WHETHER BASED IN CONTRACT, TORT, OR OTHERWISE. LG'S TOTAL LIABILITY, IF ANY, SHALL NOT EXCEED THE PURCHASE PRICE PAID BY YOU FOR THE PRODUCT.

Some states do not allow the exclusion or limitation of incidental or consequential damages or limitations on how long an implied warranty lasts, so the above exclusions or limitations may not apply to you. This limited warranty gives you specific legal rights and you may also have other rights that vary from state to state.

THIS LIMITED WARRANTY DOES NOT COVER:

- Service trips to deliver, pick up, or install, educate how to operate, correct wiring, or correct unauthorized repairs.
- Damage or failure of the Product to perform during power failures and interrupted or inadequate electrical service.
- Damage or failure resulting from operating the Product in a corrosive atmosphere or contrary to the Product owner's manual.
- Damage or failure to the Product caused by accidents, pests and vermin, lightning, wind, fire, floods, acts of God, or any other causes beyond the control of LG.
- Damage or failure caused by unauthorized modification or alteration, or if used for other than the intended purpose.
- Damage or failure resulting from misuse, abuse, improper installation, repair, or maintenance. Improper repair includes use of parts not authorized by LG. Improper installation or maintenance includes installation or maintenance contrary to the Product owner's manual.
- Damage or failure caused by incorrect electrical current, voltage, or ventilation/plumbing codes.
- Damage or failure caused by transportation and handling, including scratches, dents, chips, and/or other damage to the finish of the Product, unless such damage is reported within one (1) week of delivery.
- Damage or missing items to any display, open box, or discounted Product.
- Refurbished Product or any Product sold "As Is", "Where Is", "With all Faults", or similar disclaimer.
- Products with original serial numbers that have been removed, altered, or cannot be readily determined.

- Increases in utility costs and additional utility expenses.
- Any noises associated with normal operation.
- Use of accessories, components, or consumable cleaning products that are not authorized by LG.
- Replacement of light bulbs, filters, or any consumable parts.
- When Product is used for other than normal and proper household use (e.g. commercial or industrial use, offices, and recreational facilities or vehicles) or contrary to the Product's owner's manual.
- Costs associated with removal and reinstallation of your Product for repairs.
- Shelves, drawers and accessories, except for internal/functional parts covered under this limited warranty.

The cost of repair or replacement under the above excluded circumstances shall be borne by the consumer.

TO OBTAIN WARRANTY SERVICE AND ADDITIONAL INFORMATION

Call 1-800-243-0000 and select the appropriate option from the menu.

Or visit our website at <http://www.lg.com>

Or by mail: LG Electronics Customer Service P.O. Box 240007 Huntsville, AL 35813 ATTN: CIC

PROCEDURE FOR RESOLVING DISPUTES:

ALL DISPUTES BETWEEN YOU AND LG ARISING OUT OF OR RELATING IN ANY WAY TO THIS LIMITED WARRANTY OR THE PRODUCT SHALL BE RESOLVED EXCLUSIVELY THROUGH BINDING ARBITRATION, AND NOT IN A COURT OF GENERAL JURISDICTION. BINDING ARBITRATION MEANS THAT YOU AND LG ARE EACH WAIVING THE RIGHT TO A JURY TRIAL AND TO BRING OR PARTICIPATE IN A CLASS ACTION.

Definitions. For the purposes of this section, references to "LG" mean LG Electronics U.S.A., Inc., its parents, subsidiaries and affiliates, and each of their officers, directors, employees, agents, beneficiaries, predecessors in interest, successors, assigns and suppliers; references to "dispute" or "claim" shall include any dispute, claim or controversy of any kind whatsoever (whether based in contract, tort, statute, regulation, ordinance, fraud, misrepresentation or any other legal or equitable theory) arising out of or relating in any way to the sale, condition or performance of the product or this Limited Warranty.

Notice of Dispute. In the event you intend to commence an arbitration proceeding, you must first notify LG in writing at least 30 days in advance of initiating the arbitration by sending a letter to LG at LG Electronics, USA, Inc. Attn: Legal Department- Arbitration 1000 Sylvan Ave, Englewood Cliffs 07632. You and LG agree to engage in good faith discussions in an attempt to amicably resolve your claim. The notice must provide your name, address, and telephone number; identify the product that is the subject of the claim; and describe the nature of the claim and the relief being sought. If you and LG are unable to resolve the dispute within 30 days, either party may proceed to file a claim for arbitration.

Agreement to Binding Arbitration and Class Action Waiver. Upon failure to resolve the dispute during the 30 day period after sending written notice to LG, you and LG agree to resolve any claims between us only by binding arbitration on an individual basis, unless you opt out as provided below. Any dispute between you and LG shall not be combined or consolidated with a dispute involving any other person's or entity's product or claim. More specifically, without limitation of the foregoing, any dispute between you and LG shall not under any circumstances proceed as part of a class or representative action. Instead of arbitration, either party may bring an individual action in small claims court, but that small claims court action may not be brought on a class or representative basis.

16 LIMITED WARRANTY

Arbitration Rules and Procedures. To begin arbitration of a claim, either you or LG must make a written demand for arbitration. The arbitration will be administered by the American Arbitration Association (“AAA”) and will be conducted before a single arbitrator under the AAA’s Consumer Arbitration Rules that are in effect at the time the arbitration is initiated (referred to as the “AAA Rules”) and under the procedures set forth in this section. The AAA Rules are available online at www.adr.org/consumer. Send a copy of your written demand for arbitration, as well as a copy of this provision, to the AAA in the manner described in the AAA Rules. You must also send a copy of your written demand to LG at LG Electronics, USA, Inc. Attn: Legal Department- Arbitration 1000 Sylvan Avenue Englewood Cliffs, NJ 07632. If there is a conflict between the AAA Rules and the rules set forth in this section, the rules set forth in this section will govern. This arbitration provision is governed by the Federal Arbitration Act. Judgment may be entered on the arbitrator’s award in any court of competent jurisdiction. All issues are for the arbitrator to decide, except that issues relating to the scope and enforceability of the arbitration provision and to the arbitrability of the dispute are for the court to decide. The arbitrator is bound by the terms of this provision.

Governing Law. The law of the state of your residence shall govern this Limited Warranty and any disputes between us except to the extent that such law is preempted by or inconsistent with applicable federal law.

Fees/Costs. You do not need to pay any fee to begin an arbitration. Upon receipt of your written demand for arbitration, LG will promptly pay all arbitration filing fees to the AAA unless you seek more than \$25,000 in damages, in which case the payment of these fees will be governed by the AAA Rules. Except as otherwise provided for herein, LG will pay all AAA filing, administration and arbitrator fees for any arbitration initiated in accordance with the AAA Rules and this arbitration provision. If you prevail in the arbitration, LG will pay your attorneys’ fees and expenses as long as they are reasonable, by considering factors including, but not limited to, the purchase amount and claim amount. Notwithstanding the foregoing, if applicable law allows for an award of reasonable attorneys’ fees and expenses, an arbitrator can award them to the same extent that a court would. If the arbitrator finds either the substance of your claim or the relief sought in the demand is frivolous or brought for an improper purpose (as measured by the standards set forth in Federal Rule of Civil Procedure 11(b)), then the payment of all arbitration fees will be governed by the AAA Rules. In such a situation, you agree to reimburse LG for all monies previously disbursed by it that are otherwise your obligation to pay under the AAA Rules. Except as otherwise provided for, LG waives any rights it may have to seek attorneys’ fees and expenses from you if LG prevails in the arbitration.

Hearings and Location. If your claim is for \$25,000 or less, you may choose to have the arbitration conducted solely on the basis of (1) documents submitted to the arbitrator, (2) through a telephonic hearing, or (3) by an in-person hearing as established by the AAA Rules. If your claim exceeds \$25,000, the right to a hearing will be determined by the AAA Rules. Any in-person arbitration hearings will be held at a location within the federal judicial district in which you reside unless we both agree to another location or we agree to a telephonic arbitration.

Opt Out. You may opt out of this dispute resolution procedure. If you opt out, neither you nor LG can require the other to participate in an arbitration proceeding. To opt out, you must send notice to LG no later than 30 calendar days from the date of the first consumer purchaser’s purchase of the product by either: (i) sending an e-mail to optout@lge.com, with the subject line: “Arbitration Opt Out” or (ii) calling 1-800-980-2973. You must include in the opt out e-mail or provide by telephone: (a) your name and address; (b) the date on which the product was purchased; (c) the product model name or model number; and (d) the serial number (the serial number can be found (i) on the product; or (ii) online by accessing <https://www.lg.com/us/support/repair-service/schedule-repair-continued> and clicking on “Find My Model & Serial Number”).

You may only opt out of the dispute resolution procedure in the manner described above (that is, by e-mail or telephone); no other form of notice will be effective to opt out of this dispute resolution procedure. Opting out of this dispute resolution procedure will not affect the coverage of the Limited Warranty in any way, and you will continue to enjoy the full benefits of the Limited Warranty. If you keep this product and do not opt out, then you accept all terms and conditions of the arbitration provision described above.

LIMITED WARRANTY (CANADA)

ARBITRATION NOTICE: THIS LIMITED WARRANTY CONTAINS AN ARBITRATION PROVISION THAT REQUIRES YOU AND LG TO RESOLVE DISPUTES BY BINDING ARBITRATION INSTEAD OF IN COURT, UNLESS THE LAWS OF YOUR PROVINCE OR TERRITORY DO NOT PERMIT THAT, OR, IN OTHER JURISDICTIONS, IF YOU CHOOSE TO OPT OUT. IN ARBITRATION, CLASS ACTIONS AND JURY TRIALS ARE NOT PERMITTED. PLEASE SEE THE SECTION TITLED "PROCEDURE FOR RESOLVING DISPUTES" BELOW.

Should your LG Hood ("Product") fail due to a defect in materials or workmanship under normal and proper use, during the warranty period set forth below, LG Electronics Canada, Inc. ("LGECI") will, at its option, repair or replace the Product upon receipt of proof of the original retail purchase. This limited warranty is valid only to the original retail purchaser of the Product and applies only to a Product distributed, purchased and used within Canada, as determined at the sole discretion of LGECI.

WARRANTY PERIOD: (Note: If the original date of purchase cannot be verified, the warranty will begin sixty (60) days from the date of manufacture).

Warranty Period	Scope of Warranty
Two (2) year from date of original retail purchase	Parts and Labor (internal / functional parts only)

- Replacement products and parts are warranted for the remaining portion of the original warranty period or ninety (90) days, whichever is greater.
- Replacement products and parts may be new, reconditioned, refurbished, or otherwise factory remanufactured, all at the sole discretion of LGECI.
- Proof of original retail purchase specifying the Product model and date of purchase is required to obtain warranty service under this Limited Warranty.

LGECI'S SOLE LIABILITY IS LIMITED TO THE LIMITED WARRANTY SET OUT ABOVE. EXCEPT AS EXPRESSLY PROVIDED ABOVE, LGECI MAKES NO, AND HEREBY DISCLAIMS, ALL OTHER WARRANTIES AND CONDITIONS RESPECTING THE PRODUCT, WHETHER EXPRESS OR IMPLIED, INCLUDING BUT NOT LIMITED TO, ANY IMPLIED WARRANTY OR CONDITION OF MERCHANTABILITY OR FITNESS FOR A PARTICULAR PURPOSE, AND NO REPRESENTATIONS SHALL BE BINDING ON LGECI. LGECI DOES NOT AUTHORIZE ANY PERSON TO CREATE OR ASSUME FOR IT ANY OTHER WARRANTY OBLIGATION OR LIABILITY IN CONNECTION WITH THE PRODUCT. TO THE EXTENT THAT ANY WARRANTY OR CONDITION IS IMPLIED BY LAW, IT IS LIMITED TO THE WARRANTY PERIOD SET OUT ABOVE. UNDER NO CIRCUMSTANCES SHALL LGECI, THE MANUFACTURER OR DISTRIBUTOR OF THE PRODUCT, BE LIABLE FOR ANY INCIDENTAL, CONSEQUENTIAL, SPECIAL, DIRECT, INDIRECT, PUNITIVE OR EXEMPLARY DAMAGES, INCLUDING, WITHOUT LIMITATION, LOSS OF GOODWILL, LOST PROFITS, LOSS OF ANTICIPATED PROFITS, LOST REVENUE, LOSS OF USE, OR ANY OTHER DAMAGE, WHETHER ARISING DIRECTLY OR INDIRECTLY FROM ANY CONTRACTUAL BREACH, FUNDAMENTAL BREACH, TORT OR OTHERWISE, OR FROM ANY ACTS OR OMISSIONS. LGECI'S TOTAL LIABILITY, IF ANY, SHALL NOT EXCEED THE PURCHASE PRICE PAID BY YOU FOR THE PRODUCT.

This Limited Warranty gives you specific legal rights. You may also have other rights that vary from province to province depending on applicable provincial laws. Any term of this Limited Warranty that negates or varies any implied condition or warranty under provincial law is severable where it conflicts with such provincial law without affecting the remainder of this warranty's terms.

THIS LIMITED WARRANTY DOES NOT COVER:

- Service trips to i) deliver, pick up, or install or; educate on how to operate the Product; ii) correct wiring or plumbing; or iii) correct unauthorized repairs or installations of the Product;
- Damage or failure of the Product to perform during power failures and interrupted or inadequate electrical service;
- Damage or failure resulting from operating the Product in a corrosive atmosphere or contrary to the instructions outlined in the Product's owner's manual;
- Damage or failure to the Product caused by accidents, pests and vermin, lightning, wind, fire, floods, acts of God, or any other causes beyond the control of LGECI or the manufacturer;

18 LIMITED WARRANTY

- Damage or failure resulting from misuse, abuse, improper installation, repair, or maintenance of the Product. Improper repair includes use of parts not authorized or specified by LGECI. Improper installation or maintenance includes installation or maintenance contrary to the Product's owner's manual;
- Damage or failure caused by unauthorized modification or alteration of the Product, or if used for other than the intended household purpose/use of the Product, or damage or failure resulting from any water leakage due to improper installation of the Product;
- Damage or failure caused by incorrect electrical current, voltage or plumbing codes;
- Damage or failure caused by use that is other than normal household use, including, without limitation, commercial or industrial use, including use in commercial offices or recreational facilities, or as otherwise outlined in the Product's owner's manual;
- Damage or failure caused by transportation and handling, including scratches, dents, chips and/or other damage to the finish of the Product, **unless** such damage results from defects in materials or workmanship and is reported to LGECI within one (1) week of delivery of the Products;
- Damage or missing items to any display, open box, refurbished or discounted Product;
- Refurbished Product or any Product sold "As Is", "Where Is", "With all Faults", or any similar disclaimer;
- Products with original serial numbers that have been removed, altered or cannot be readily determined at the discretion of LGECI;
- Increases in utility costs and additional utility expenses in any way associated with the Product;
- Any noises associated with normal operation of the Product;
- Replacement of light bulbs, filters, fuses or any other consumable parts
- Replacement of any part that was not originally included with the Product;
- Costs associated with removal and/or reinstallation of the Product for repairs; and
- Shelves, drawers, handle and accessories to the Product, except for internal/functional parts covered under this Limited Warranty.
- Coverage for "in Home" repairs, for products in-warranty, will be provided if the Product is within a 150 km radius from the nearest authorized service center (ASC), as determined by LG Canada. If your Product is located outside a 150 km radius from a ASC, as determined by LG Canada, it will be your responsibility to bring the Product, at your sole expense, to the ASC for in-warranty repair.

All costs and expenses associated with the above excluded circumstances, listed under the heading, This Limited Warranty Does Not Cover, shall be borne by the consumer.

TO OBTAIN WARRANTY SERVICE AND ADDITIONAL INFORMATION, PLEASE CALL OR VISIT OUR WEBSITE:

Call 1-888-542-2623 (7 A.M. to 12 A.M., 365 days a year) and select the appropriate option from the menu, or visit our website at <http://www.lg.com>

PROCEDURE FOR RESOLVING DISPUTES:

EXCEPT WHERE PROHIBITED AT LAW, ALL DISPUTES BETWEEN YOU AND LG ARISING OUT OF OR RELATING IN ANY WAY TO THIS LIMITED WARRANTY OR THE PRODUCT SHALL BE RESOLVED EXCLUSIVELY THROUGH BINDING ARBITRATION, AND NOT IN A COURT OF GENERAL JURISDICTION. EXCEPT WHERE PROHIBITED AT LAW, YOU AND LG BOTH IRREVOCABLY AGREE TO WAIVE THE RIGHT TO A JURY TRIAL AND TO BRING OR PARTICIPATE IN A CLASS ACTION.

Definitions. For the purposes of this section, references to “LG” mean LG Electronics Canada, Inc., its parents, subsidiaries and affiliates, and each of their officers, directors, employees, agents, beneficiaries, predecessors in interest, successors, assigns and suppliers; references to “dispute” or “claim” shall include any dispute, claim or controversy of any kind whatsoever (whether based in contract, tort, statute, regulation, ordinance, fraud, misrepresentation or any other legal or equitable theory) arising out of or relating in any way to the sale, condition or performance of the product or this Limited Warranty.

Notice of Dispute. In the event you intend to commence an arbitration proceeding, you must first notify LG in writing at least 30 days in advance of initiating the arbitration by sending a letter to LGECI Legal Team at 20 Norelco Drive, North York, Ontario, Canada M9L 2X6 (the “Notice of Dispute”). You and LG agree to engage in good faith discussions in an attempt to amicably resolve your claim. The notice must provide your name, address, and telephone number; identify the product that is the subject of the claim; and describe the nature of the claim and the relief being sought. If you and LG are unable to resolve the dispute within 30 days of LG’s receipt of the Notice of Dispute, the dispute shall be resolved by binding arbitration in accordance with the procedure set out herein. You and LG both agree that, during the arbitration proceeding, the terms (including any amount) of any settlement offer made by either you or LG will not be disclosed to the arbitrator until the arbitrator determines the dispute.

Agreement to Binding Arbitration and Class Action Waiver. Upon failure to resolve the dispute during the 30 day period after LG’s receipt of the Notice of Dispute, you and LG agree to resolve any claims between you and LG only by binding arbitration on an individual basis, unless you opt out as provided below, or you reside in a jurisdiction that prevents full application of this clause in the circumstances of the claims at issue (in which case if you are a consumer, this clause will only apply if you expressly agree to the arbitration). To the extent permitted by applicable law, any dispute between you and LG shall not be combined or consolidated with a dispute involving any other person’s or entity’s product or claim. More specifically, without limitation of the foregoing, except to the extent such a prohibition is not permitted at law, any dispute between you and LG shall not under any circumstances proceed as part of a class or representative action. Instead of arbitration, either party may bring an individual action in small claims court, but that small claims court action may not be brought on a class or representative basis except to the extent this prohibition is not permitted at law in your province or territory of jurisdiction as it relates to the claims at issue between you and LG.

Arbitration Rules and Procedures. To begin arbitration of a claim, either you or LG must make a written demand for arbitration. The arbitration will be private and confidential, and conducted on a simplified and expedited basis before a single arbitrator chosen by the parties under the provincial or territorial commercial arbitration law and rules of the province or territory of your residence. You must also send a copy of your written demand to LG at LG Electronics, Canada, Inc., Attn: Legal Department- Arbitration, 20 Norelco Drive, North York, Ontario M9L 2X6. This arbitration provision is governed by your applicable provincial or territorial commercial arbitration legislation. Judgment may be entered on the arbitrator’s award in any court of competent jurisdiction. All issues are for the arbitrator to decide, except that, issues relating to the scope and enforceability of the arbitration provision and to the arbitrability of the dispute are for the court to decide. The arbitrator is bound by the terms of this provision.

Governing Law. The law of the province or territory of your purchase shall govern this Limited Warranty and any disputes between you and LG except to the extent that such law is preempted by or inconsistent with applicable federal or provincial/territorial law. Should arbitration not be permitted for any claim, action, dispute or controversy between you and LG, you and LG attorn to the exclusive jurisdiction of the courts of the province or territory of your purchase for the resolution of the claim, action, dispute or controversy between you and LG.

20 LIMITED WARRANTY

Fees/Costs. You do not need to pay any fee to begin an arbitration. Upon receipt of your written demand for arbitration, LG will promptly pay all arbitration filing fees unless you seek more than \$25,000 in damages, in which case the payment of these fees will be governed by the applicable arbitration rules. Except as otherwise provided for herein, LG will pay all filing, administration and arbitrator fees for any arbitration initiated in accordance with the applicable arbitration rules and this arbitration provision. If you prevail in the arbitration, LG will pay your attorneys' fees and expenses as long as they are reasonable, by considering factors including, but not limited to, the purchase amount and claim amount. Notwithstanding the foregoing, if applicable law allows for an award of reasonable attorneys' fees and expenses, an arbitrator can award them to the same extent that a court would. If the arbitrator finds either the substance of your claim or the relief sought in the demand is frivolous or brought for an improper purpose (as measured by the applicable laws), then the payment of all arbitration fees will be governed by the applicable arbitration rules. In such a situation, you agree to reimburse LG for all monies previously disbursed by it that are otherwise your obligation to pay under the applicable arbitration rules. Except as otherwise provided for, LG waives any rights it may have to seek attorneys' fees and expenses from you if LG prevails in the arbitration.

Hearings and Location. If your claim is for \$25,000 or less, you may choose to have the arbitration conducted solely (1) on the basis of documents submitted to the arbitrator, (2) through a telephonic hearing, or (3) by an in-person hearing as established by the applicable arbitration rules. If your claim exceeds \$25,000, the right to a hearing will be determined by the applicable arbitration rules. Any in-person arbitration hearings will be held at the nearest, most mutually-convenient arbitration location available within the province or territory in which you reside unless you and LG both agree to another location or agree to a telephonic arbitration.

Severability and Waiver. If any portion of this Limited Warranty (including these arbitration procedures) is unenforceable, the remaining provisions will continue in full force and effect to the maximum extent permitted by applicable law. Should LG fail to enforce strict performance of any provision of this Limited Warranty (including these arbitration procedures), it does not mean that LG intends to waive or has waived any provision or part of this Limited Warranty.

Opt Out. You may opt out of this dispute resolution procedure. If you opt out, neither you nor LG can require the other to participate in an arbitration proceeding. To opt out, you must send notice to LG no later than 30 calendar days from the date of the first consumer purchaser's purchase of the product by either (i) sending an e-mail to optout@lge.com, with the subject line: "Arbitration Opt Out;" or (ii) calling 1-800-980-2973. You must include in the opt out e-mail or provide by telephone: (a) your name and address; (b) the date on which the product was purchased; (c) the product model name or model number; and

(d) the serial number (the serial number can be found (i) on the product; or (ii) online by accessing https://www.lg.com/ca_en/support/repair-service/schedule-repair and clicking on "Find My Model & Serial Number").

In the event that you "Opt Out", the law of the province or territory of your residence shall govern this Limited Warranty and any disputes between you and LG except to the extent that such law is preempted by or inconsistent with applicable federal or provincial/territorial law. Should arbitration not be permitted for any claim, action, dispute or controversy between you and LG, you and LG agree to attorn to the exclusive jurisdiction of the courts of the province or territory of your residence for the resolution of the claim, action, dispute or controversy between you and LG.

You may only opt out of the dispute resolution procedure in the manner described above (that is, by e-mail or telephone); no other form of notice will be effective to opt out of this dispute resolution procedure. Opting out of this dispute resolution procedure will not affect the coverage of the Limited Warranty in any way, and you will continue to enjoy the full benefits of the Limited Warranty. If you keep this product and do not opt out, then you accept all terms and conditions of the arbitration provision described above.

Conflict of Terms. In the event of a conflict or inconsistency between the terms of this Limited Warranty and the End User License Agreement ("EULA") in regards to dispute resolution, the terms of this Limited Warranty shall control and govern the rights and obligations of the parties and shall take precedence over the EULA.



ESPAÑOL

MANUAL DEL PROPIETARIO

CAMPANA

Lea detenidamente el manual del propietario antes de poner el aparato en funcionamiento y consérvelo a mano en todo momento para su referencia.

LSHD3689BD LSHD3089BD
LSHD3680ST LSHD3080ST



MFL70282902_06

www.lg.com

Copyright © 2017 - 2020 LG Electronics Inc. Todos los Derechos Reservados.

ÍNDICE

3 INSTRUCCIONES IMPORTANTES DE SEGURIDAD

6 DESCRIPCIÓN GENERAL DEL PRODUCTO

- 6 Piezas
- 6 Especificaciones

7 FUNCIONAMIENTO

8 FUNCIONES INTELIGENTES

- 8 Aplicación LG ThinQ
- 9 Aviso de la FCC
- 9 Declaración sobre exposición a la radiación de RF de la FCC

10 MANTENIMIENTO

- 10 Mantenimiento de la superficie
- 10 Filtros de malla de aluminio
- 10 Extraer los filtros de malla

11 SOLUCIÓN DE PROBLEMAS

- 11 Antes de llamar al servicio técnico

13 GARANTÍA LIMITADA

INSTRUCCIONES IMPORTANTES DE SEGURIDAD

Lea y siga todas las instrucciones cuando utilice la cocina para evitar riesgos de incendios, descargas eléctricas, lesiones personales o daños. Esta guía no incluye todas las situaciones posibles que podrían ocurrir. Siempre comuníquese con su agente de servicio técnico o con el fabricante cuando haya problemas que no comprenda.

Descargue este manual en: <http://www.lg.com>

ESPAÑOL



Este es el símbolo de alerta de seguridad. Este símbolo le advierte sobre posibles riesgos que pueden ocasionar daños materiales, lesiones personales graves o la muerte.

El símbolo de alerta de seguridad siempre estará acompañado de las palabras "ADVERTENCIA" o "PRECAUCIÓN". Estos términos significan lo siguiente:



ADVERTENCIA - Indica una situación peligrosa que, de no evitarse, podría causar lesiones graves o la muerte.



PRECAUCIÓN - Indica una situación peligrosa que, de no evitarse, podría causar lesiones leves o moderadas.



ADVERTENCIA

- Para evitar que se produzcan explosiones o incendios, no almacene ni use líquidos o vapores combustibles, inflamables o explosivos (como por ejemplo, gasolina) dentro o cerca de este o cualquier otro artefacto. Además, mantenga cualquier artículo que pueda explotar, como, por ejemplo, latas de aerosol, alejado de los quemadores de la cocina, del horno y de la campana extractora. No almacene materiales explosivos o inflamables en áreas o alacenas cercanas.
- **PARA REDUCIR EL RIESGO DE INCENDIO, DESCARGAS ELÉCTRICAS O LESIONES PERSONALES, TENGA EN CUENTA LO SIGUIENTE:**
 - Use esta unidad solamente del modo previsto por el fabricante. Si tiene alguna pregunta, póngase en contacto con el fabricante.
 - Antes de limpiar o realizarle mantenimiento a la unidad, apáguela desde el panel de servicio y bloquee la puerta del panel de servicio para evitar que la unidad se encienda por accidente. En caso de que la puerta del panel de servicio no se pueda bloquear, coloque un dispositivo de advertencia bien visible y firmemente sujeto, como, por ejemplo, una etiqueta, en el panel de servicio.



PRECAUCIÓN

- Solo para uso de ventilación general. NO lo utilice para la extracción de materiales y vapores peligrosos o explosivos.

PRECAUCIONES GENERALES DE SEGURIDAD

Para reducir el riesgo de incendio, descargas eléctricas, lesiones graves o muerte al usar esta campana extractora, siga las precauciones de seguridad básicas, incluidas las siguientes:

ADVERTENCIA

- Si recibe un producto dañado, póngase en contacto inmediatamente con el distribuidor o el constructor. No instale ni utilice una campana dañada.
- Asegúrese de que un instalador calificado instale y conecte a tierra su campana extractora de acuerdo con las instrucciones de instalación suministradas. Haga que el instalador le muestre la ubicación de la caja de empalmes o fusibles para que usted sepa dónde y cómo apagar el artefacto.
- No instale, repare o reemplace ninguna pieza de la campana extractora, salvo que esto se recomiende específicamente en la documentación suministrada. Toda otra tarea de mantenimiento debe ser realizada por un técnico calificado.
- Para evitar el riesgo de descargas eléctricas, antes de realizarle mantenimiento a la campana extractora, apáguela desde la caja de empalmes o fusibles y bloquee la puerta del panel eléctrico para evitar que la unidad se encienda por accidente. En caso de que el panel del panel eléctrico no se pueda bloquear, coloque un dispositivo de advertencia bien visible y firmemente sujeto, como, por ejemplo, una etiqueta, en el panel de servicio.
- Para evitar el riesgo de descarga eléctrica, antes de limpiar la campana extractora, apague el interruptor principal.
- Use la campana extractora solo para el propósito previsto, tal como se describe en este manual. NO utilice esta campana para la extracción de materiales y vapores peligrosos o explosivos. Si tiene alguna pregunta, póngase en contacto con el fabricante.
- No manipule indebidamente los controles.
- Nunca permita que los filtros se bloqueen u obstruyan. No permita que objetos extraños, tales como cigarrillos o servilletas, sean aspirados por la campana.
- Si la cocina y la campana extractora se encuentran cerca de una ventana, asegúrese de que la ventana cumpla con las condiciones adecuadas. Evite que la ventana tenga cortinas largas u otras cubiertas que podrían volar sobre la superficie de cocción y la campana, ya que esto puede significar un riesgo de incendio.
- Siempre ponga en funcionamiento el/los ventilador(es) cuando esté utilizando la superficie de cocción.
- No deje niños solos o sin vigilancia en el área donde se estén utilizando la superficie de cocción y la campana extractora. Nunca permita que los niños se sienten en un artefacto o se suban a él. No permita que los niños jueguen con una cocina, una superficie de cocción o una campana extractora. No almacene artículos de interés para los niños encima o alrededor de la superficie de cocción, la cocina o la campana extractora.
- La distancia vertical mínima entre la superficie de la cocina y la parte exterior de la campana no debe ser menor de 26" (66 cm). La distancia vertical puede tener que ser mayor según la cocina o la superficie de cocción que se esté utilizando. Consulte las instrucciones de instalación de la cocina o la superficie de cocción para conocer la distancia mínima vertical desde el artefacto que se utilice.

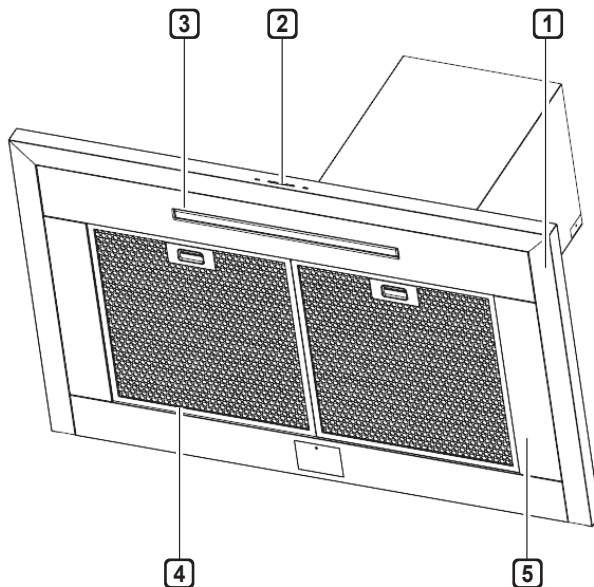
⚠ ADVERTENCIA

- Para reducir el riesgo de incendio provocado por grasa en la superficie de la cocina:
 - Nunca deje las hornallas sin supervisión en configuraciones de altas temperaturas. Los derramamientos por ebullición producen humo y los derrames de grasa pueden arder. Caliente las grasas y los aceites lentamente y en configuraciones de temperatura bajas o medias.
 - Siempre encienda la campana cuando cocine a altas temperaturas o cuando realice flambeados (por ej., flambeado de carne a la pimienta, crepes Suzette, cerezas Jubilee).
 - Limpie los ventiladores regularmente. No debe dejar que se acumule grasa en el ventilador o el filtro.
 - Use el tamaño adecuado de sartén. Siempre utilice utensilios de cocina de dimensiones adecuadas para el tamaño de la hornalla.
- PARA REDUCIR EL RIESGO DE LESIONES PERSONALES EN CASO DE UN INCENDIO PROVOCADO POR GRASA EN LA SUPERFICIE DE LA COCINA:
 - SOFOQUE LAS LLAMAS con una tapa que ajuste bien, una asadera o una bandeja de metal y luego apague el quemador. SEA CUIDADOSO PARA EVITAR QUEMADURAS. Si las llamas no se apagan inmediatamente, EVACUE Y LLAME A LOS BOMBEROS.
 - NUNCA TOME UNA OLLA EN LLAMAS, puede quemarse.
 - NO USE AGUA, lo que incluye paños de cocina o toallas húmedas: puede producirse una violenta explosión de vapor.
 - Use un extintor SOLAMENTE si:
 - Tiene un extintor clase ABC y ya sabe cómo operarlo.
 - El fuego es pequeño y se halla contenido en el área donde comenzó.
 - Ya llamó a los bomberos.
 - Puede intentar apagar el fuego manteniendo su espalda hacia una salida.

LEA Y GUARDE ESTAS INSTRUCCIONES

DESCRIPCIÓN GENERAL DEL PRODUCTO

Piezas

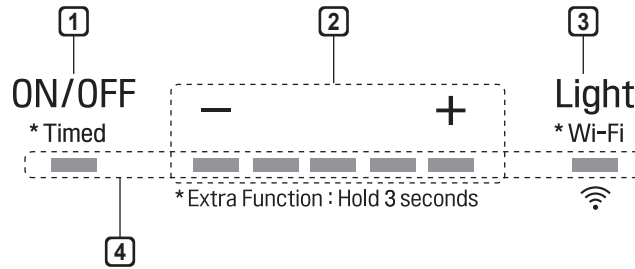


- 1 CAMPANA
- 2 PANEL DE CONTROL TÁCTIL CON ICONOS
- 3 LUZ LED
- 4 FILTROS DE MALLA
- 5 PANEL LATERAL (solo para LSHD3689BD, LSHD3680ST)

Especificaciones

Modelos de campana	LSHD3689BD, LSHD3680ST, LSHD3089BD, LSHD3080ST
Ancho de la campana	LSHD3689BD, LSHD3680ST : 36 pulgadas LSHD3089BD, LSHD3080ST : 30 pulgadas
Filtros	2 pzas.
Luces	1 (tipo tira LED)

FUNCIONAMIENTO



1 BOTÓN DE ENCENDIDO /

APAGADO RETARDADO ON/OFF *Timed

Función del botón de encendido

- ON/OFF *Timed El botón ON/OFF *Timed enciende y apaga toda la campana (ventilador y luces)
- La campana recordará la última velocidad y el nivel de luz a los que se apagó. (Ejemplo: Pulse el botón ON/OFF *Timed para apagar la campana con una velocidad de ventilador de nivel 4 y las luces en alta intensidad. Pulse el botón ON/OFF *Timed de nuevo y la campana se encenderá con la velocidad del ventilador en 4 y las luces encendidas en alta intensidad.)

Función del botón de apagado retardado

- Con el ventilador encendido, mantenga pulsando el botón ON/OFF *Timed durante 3 segundos. El ventilador cambiará la velocidad a 1 y el temporizador de apagado con retardo de 5 minutos se activará.
ON/OFF *Timed + - + Los LED se iluminarán y parpadearán lentamente según el tiempo restante hasta que el ventilador y las luces se apaguen automáticamente.
- Al pulsar el botón ON/OFF *Timed mientras la función de apagado retardado está activa se apagará la campana y se cancelará la función de apagado retardado.

2 BOTÓN DE SELECCIÓN DE VELOCIDAD

Botón de disminución de velocidad del ventilador —

- Pulse este botón para disminuir la velocidad del ventilador. 5, 4, 3, 2, 1.
- Si el ventilador está encendido en el nivel 1 y se pulsa este botón, el ventilador se apagará.

Botón de aumento de velocidad del ventilador +

- Pulse este botón para aumentar la velocidad del ventilador. Ventilador encendido, 1, 2, 3, 4, 5.
- Si la campana está apagada y se pulsa este botón, el ventilador se encenderá en el nivel 1.

3 BOTÓN DE LUZ Light *Wi-Fi

- La luz tiene dos niveles: Alto y Bajo.
- Desde apagado, pulse una vez para Alto. Pulse de nuevo para Bajo. Pulse de nuevo para apagar la luz
- Mantenga pulsado el botón Light durante 3 segundos para conectarse a una red Wi-Fi doméstica. Consulte la página 8 para obtener más información.



4 INDICADORES DE LA PANTALLA

Recordatorio de limpieza de filtro (siempre activado)

- Tras 30 horas de uso del ventilador, el indicador del botón — comenzará a parpadear lentamente indicando que ha llegado el momento de limpiar los filtros.
- **Para resetear:** Con la campana apagada: mantenga pulsado el botón — durante 3 segundos. Todos los indicadores LED parpadearán dos veces confirmando que el temporizador de 30 horas ha sido reseteado.

FUNCIONES INTELIGENTES

Aplicación LG ThinQ

Esta característica solo está disponible en el modelo con el logo  o .

La aplicación **LG ThinQ** le permite comunicarse con el electrodoméstico usando un teléfono inteligente.

Funciones de la aplicación LG ThinQ

Configuración

Le permite configurar varias opciones en el horno y en la aplicación.

Monitoreo

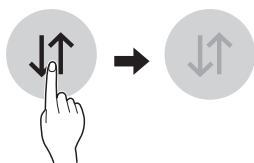
Esta función le ayuda a reconocer el estado actual, el tiempo restante, las configuraciones de cocción y el tiempo final en la pantalla.

NOTA

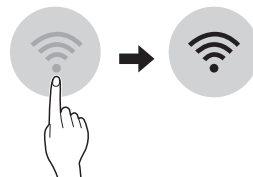
- Si cambia de enrutador inalámbrico, proveedor de Internet, o contraseña, borre el electrodoméstico registrado en la aplicación **LG ThinQ** y proceda a registrarlo de nuevo.
- Esta información está actualizada en el momento de su publicación. La aplicación está sujeta a cambios, con fines de mejorar el producto, sin previo aviso a los usuarios.
- Esta característica solo está disponible en algunos modelos.

Antes de usar la aplicación LG ThinQ


- 1 Utilice un teléfono inteligente para verificar la potencia del enrutador (Red Wi-Fi) cerca del electrodoméstico.
 - Si la distancia entre el electrodoméstico y el enrutador inalámbrico es muy grande, la señal será débil. Le tomará más tiempo registrarse o que falle la instalación.
- 2 Desactive los **Datos Móviles** o **Datos Celulares** en su teléfono inteligente.



- 3 Conecte su teléfono inteligente al enrutador inalámbrico.



NOTA

- Para verificar la conexión Wi-Fi, revise que el ícono **Wi-Fi**  en el panel de control esté encendido.
- El electrodoméstico funciona únicamente con redes Wi-Fi de 2.4 GHz. Contacte a su proveedor de servicios de internet o verifique el manual del enrutador inalámbrico para revisar la frecuencia de su red.
- **LG ThinQ** no es responsable por ningún problema de conexión en red, falla, mal funcionamiento o error causado por la conexión de red.
- El entorno inalámbrico circundante puede hacer que el servicio de red inalámbrica funcione lentamente.
- Si el aparato tiene problemas para conectarse a la red Wi-Fi, es posible que se encuentre demasiado lejos del router. Adquiera un repetidor Wi-Fi (extensor de alcance) para mejorar la intensidad de la señal Wi-Fi.
- Es posible que la conexión de red no funcione bien por cuestiones relacionadas con su proveedor de servicios de Internet.
- Es posible que la conexión Wi-Fi no se conecte o se interrumpa debido al entorno de la red doméstica.
- Si el electrodoméstico no puede registrarse debido a problemas con la transmisión de la señal inalámbrica, desconéctelo y espere alrededor de un minuto previo a intentarlo de nuevo.
- Si el cortafuegos de su enrutador inalámbrico está activado, desactívelo o añada una excepción a éste.
- El nombre de la red inalámbrica (SSID) debe ser una combinación de letras y números. (No utilice símbolos especiales)
- La interfaz del usuario (UI) del teléfono inteligente puede variar según el sistema operativo (OS) y el fabricante.
- Puede que la configuración de red falle si el protocolo de seguridad del router está en **WEP**. Cambie el protocolo de seguridad por otro (es recomendado el **WPA2**) y registre el producto de nuevo.

Instalación de la aplicación LG ThinQ

Busque la aplicación **LG ThinQ** en la tienda Google Play o App Store desde su teléfono inteligente. Siga las instrucciones para descargar e instalar la aplicación.

Especificaciones módulo LAN inalámbrico

Modelo	LCW-003
Rango de frecuencia	2412 - 2462 MHz
Rango de frecuencia (max.)	< 30 dBm

Aviso de la FCC

- Para el módulo transmisor contenido en este producto

Este equipo fue probado y se determinó que cumple con los límites para los dispositivos digitales de Clase B, en conformidad con la parte 15 de las normas de la FCC. Estos límites están diseñados para ofrecer una protección razonable contra interferencias dañinas en una instalación residencial. Este equipo genera, usa y puede emitir energía de radiofrecuencia y, si no se instala y utiliza de acuerdo con las instrucciones, podría causar interferencias dañinas a las comunicaciones por radio. Sin embargo, no se garantiza que dicha interferencia no pueda ocurrir en instalaciones particulares. Si este equipo causa interferencia dañina a la recepción de radio o televisión, que se puede determinar encendiendo y apagando el equipo, se aconseja al usuario intentar corregir la interferencia realizando alguna de las siguientes acciones:

- Reorientar o reubicar la antena receptora.
- Aumentar la separación entre el equipo y el receptor.
- Conectar el equipo a una toma de corriente en un circuito diferente del utilizado por el receptor.
- Consultar al vendedor o a un técnico de radio/TV con experiencia para solicitar ayuda.

El dispositivo cumple con la parte 15 de las Reglas FCC. La operación está sujeta a las siguientes dos condiciones:

- (1) Este dispositivo no debe causar interferencia dañina, y
- (2) Este dispositivo debe aceptar cualquier interferencia que reciba, incluidas las interferencias que puedan afectar el funcionamiento del mismo.

Cualquier cambio o modificación en la construcción de este dispositivo, que no cuente con la aprobación expresa de la parte responsable del cumplimiento, puede anular la autorización del usuario para operarlo.

Declaración sobre exposición a la radiación de RF de la FCC

Este equipo cumple con los límites de exposición a la radiación de la FCC establecidos para entornos no controlados. Este transmisor no se debe ubicar ni operar junto con ninguna otra antena ni transmisor.

El equipo se debe instalar y operar con una distancia mínima de 20 cm (7.8 pulg.) entre la antena y su cuerpo. Los usuarios deben seguir las instrucciones de operación específicas de manera tal de cumplir con las normas de exposición a la RF.

Software de código abierto

Para obtener el código fuente bajo GPL, LGPL, MPL y otras licencias de código abierto que contiene este producto, visite <http://opensource.lge.com>. Además del código fuente, se pueden descargar los términos de la licencia, las anulaciones de la garantía y los avisos de derechos de autor.

LG Electronics también le proporcionará el código abierto en un CD-ROM por un costo que cubra los gastos de dicha distribución (como el costo del medio, del envío y de la manipulación) una vez realizado el pedido por correo electrónico a la dirección opensource@lge.com. Esta oferta es válida solo durante un período de tres años después de que se envíe el último cargamento de este producto. Esta oferta es válida para todo aquel que reciba esta información.

MANTENIMIENTO

Mantenimiento de la superficie

Limpie periódicamente con agua caliente jabonosa y un paño de algodón limpio. No utilice detergentes corrosivos o abrasivos, o estropajos de aluminio o abrasivos que arañarían la superficie y la dañarían. No utilice productos que contengan lejía o limpiadores basados en cítricos.

Para la suciedad difícil, utilice desengrasante líquido.

Tras su limpieza, puede usar pulidores o limpiadores no abrasivos para acero inoxidable para pulir y devolver el lustre y brillo del acero inoxidable. Usando un paño limpio de microfibra o algodón, frote ligeramente.

Filtros de malla de aluminio

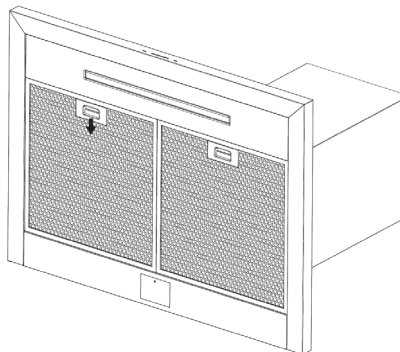
Los filtros de malla de aluminio instalados en fábrica están pensados para filtrar los residuos y las grasas durante la cocción. No necesitan ser sustituidos regularmente, siempre que se mantengan limpios.

Extraiga y límite a mano o en el lavavajillas a baja temperatura. Rocíe detergente desengrasante y deje en remojo si están muy sucias.

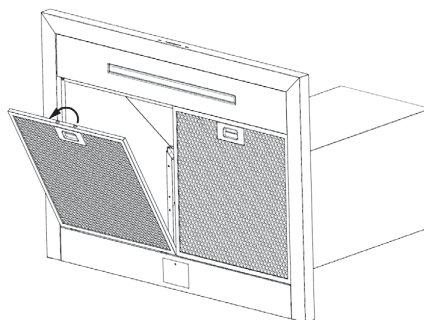
Seque los filtros y vuelva a instalarlos antes de usar la campana.

Extraer los filtros de malla

- 1 Empuje la manija sobre el filtro hacia la parte trasera de la campana.



- 2 Gire la parte delantera del filtro hacia abajo y tire del filtro hacia adelante para extraerlo.



- Siga estos pasos a la inversa para volver a montar el filtro.

SOLUCIÓN DE PROBLEMAS

Antes de llamar al servicio técnico

Síntomas	Causas/soluciones posibles
Tras su instalación, la unidad no funciona.	<ul style="list-style-type: none"> • La fuente de alimentación no está encendida <ul style="list-style-type: none"> – Asegúrese de que el interruptor y la alimentación de la unidad están encendidos. • El cable eléctrico y el conector de bloqueo de cable no están conectados correctamente. <ul style="list-style-type: none"> – Asegúrese de que el cable de alimentación está conectado correctamente a la unidad.
Las luces funcionan pero el ventilador no gira.	<ul style="list-style-type: none"> • El sistema protegido térmicamente detecta si el ventilador está demasiado caliente para funcionar y apaga el ventilador. <ul style="list-style-type: none"> – El ventilador funcionará correctamente una vez que el sistema protegido térmicamente se enfría.
La unidad vibra.	<ul style="list-style-type: none"> • El ventilador no está correctamente instalado en su sitio. <ul style="list-style-type: none"> – Apriete los tornillos que sujetan el ventilador. • Rueda del ventilador dañada. <ul style="list-style-type: none"> – Llame a asistencia. • La campana no está instalada firmemente en su sitio. <ul style="list-style-type: none"> – Compruebe la instalación de la campana.
El ventilador funciona pero las luces no.	<ul style="list-style-type: none"> • Llame a asistencia.
Los niveles de velocidad del ventilador parecen iguales.	<ul style="list-style-type: none"> • Se está usando un conducto de tamaño erróneo. <ul style="list-style-type: none"> – Cambie el conducto a al menos 8" Redondo o 3-1/4" rectangular para un único ventilador o 10" redondo para doble ventilador.
La campana no extrae correctamente.	<ul style="list-style-type: none"> • La campana puede estar demasiado lejos de la placa de cocina. <ul style="list-style-type: none"> – Ajuste la distancia entre la placa y la parte inferior de la campana en 26" a 36". • El viento que entra por ventanas o puertas abiertas en los alrededores afecta a la extracción de la campana. <ul style="list-style-type: none"> – Cierre todas las ventanas y puertas para eliminar la corriente de viento externa. • Bloqueo en la abertura del conducto o en el conducto. <ul style="list-style-type: none"> – Despeje cualquier bloqueo que exista en la abertura del conducto o en el conducto. • La dirección de la abertura del conducto está contra el viento. <ul style="list-style-type: none"> – Ajuste la dirección de la abertura del conducto. • Se está usando un conducto de un tamaño inadecuado. <ul style="list-style-type: none"> – Cambie el conducto para corregir el tamaño.
El filtros de malla vibra.	<ul style="list-style-type: none"> • El filtro de malla está suelto. <ul style="list-style-type: none"> – Cambie el filtro de metal.
La unidad se enciende sola.	<ul style="list-style-type: none"> • Foco o una lámpara en la cocina brilla directamente contra los controles del interruptor. <ul style="list-style-type: none"> – Los controles del interruptor son sensibles a la luz. Una fuente de luz dirigida directamente a los controles del interruptor puede afectar a las funciones del interruptor.

12 SOLUCIÓN DE PROBLEMAS

Síntomas	Causas/soluciones posibles
Problema al conectar el electrodoméstico y el teléfono inteligente a la red Wi-Fi.	<ul style="list-style-type: none">• La contraseña de la red Wi-Fi fue ingresada incorrectamente.<ul style="list-style-type: none">- Borre su red Wi-Fi doméstica e inicie el proceso de registro de nuevo.• Los Datos Móviles para su teléfono inteligente están activados.<ul style="list-style-type: none">- Desactive los Datos Móviles en su teléfono inteligente previo a registrar el electrodoméstico.• El nombre de la red inalámbrica (SSID) se ha configurado incorrectamente.<ul style="list-style-type: none">- El nombre de la red inalámbrica (SSID) debe ser una combinación de letras y números. (No utilice caracteres especiales)• La frecuencia del enrutador no es de 2.4 GHz.<ul style="list-style-type: none">- Sólo se admite una frecuencia de enrutador de 2.4 GHz. Configure el enrutador inalámbrico a 2.4 GHz y conecte el electrodoméstico a éste. Para verificar la frecuencia del enrutador, consulte con su proveedor de servicios de internet o con el fabricante del enrutador.• La distancia entre el enrutador y el electrodoméstico es muy grande.<ul style="list-style-type: none">- Si el electrodoméstico se encuentra muy lejos del enrutador, puede que la señal sea débil y que la conexión no sea configurada correctamente. Coloque el enrutador más cerca del electrodoméstico o compre e instale un repetidor Wi-Fi.

GARANTÍA LIMITADA (EE. UU.)

AVISO DE ARBITRAJE: ESTA GARANTÍA LIMITADA CONTIENE UNA CLÁUSULA DE ARBITRAJE QUE LE DEMANDA A USTED Y A LG RESOLVER CONFLICTOS A TRAVÉS DE UN ARBITRAJE VINCULANTE EN LUGAR DE HACERLO EN LA CORTE, A MENOS QUE USTED DECIDA NO PARTICIPAR. EN EL ARBITRAJE NO ESTÁN PERMITIDAS LAS ACCIONES COLECTIVAS NI LOS JUICIOS CON JURADO. POR FAVOR, VEA A CONTINUACIÓN LA SECCIÓN TITULADA "PROCEDIMIENTO PARA RESOLVER CONFLICTOS".

En caso de que su campana LG ("Producto") presente alguna falla por defectos de materiales o de fabricación bajo uso apropiado y normal durante el período de garantía establecido más abajo, el mismo será reparado o reemplazado por LG Electrónicos ("LG"), a su opción. Esta garantía limitada es válida únicamente para el comprador final original del producto, y únicamente cuando el producto ha sido comprado y utilizado dentro de los Estados Unidos, incluidos los territorios norteamericanos.

Período de garantía	Alcance de la garantía
Dos (2) años a partir de la fecha de compra minorista original	Piezas y mano de obra (solo partes internas / funcionales)

- Los productos y las piezas de repuesto están garantizados durante el tiempo restante del período original de garantía o noventa (90) días, lo que resulte mayor.
- Los productos y las piezas de repuesto pueden ser nuevos, reparados, reacondicionados, o reconstruidos por la fábrica.
- Es necesario presentar prueba de la compra minorista especificando el modelo del producto y la fecha de compra para obtener el servicio de garantía bajo esta garantía limitada.

SALVO LO PROHIBIDO POR LA LEY, TODA GARANTÍA DE COMERCIALIZACIÓN O IDONEIDAD IMPLÍCITA, PARA UN PROPÓSITO PARTICULAR EN EL PRODUCTO, ESTÁ LIMITADA A LA DURACIÓN DE LA GARANTÍA ARRIBA EXPRESADA. BAJO NINGUNA CIRCUNSTANCIA DEBERÁ LG O SUS DISTRIBUIDORES/REPRESENTANTES SER RESPONSABLE POR CUALQUIER DAÑO INDIRECTO, INCIDENTAL, CONSECUENTE, ESPECIAL, O PUNITIVO, LO CUAL INCLUYE PERO NO SE LIMITA A, PÉRDIDA DE FONDOS DEL COMERCIO, GANANCIAS PERDIDAS, INTERRUPTIÓN DEL TRABAJO, DETERIORO DE OTROS BIENES, COSTO DE REMOVER Y REINSTALAR EL PRODUCTO, PÉRDIDA DE USO, O CUALQUIER OTRO DAÑO YA SEA BASADO EN CONTRATO, PERJUICIO, U OTROS. LA RESPONSABILIDAD TOTAL DE LG, EN CASO EXISTA, NO EXCEDERÁ EL PRECIO QUE USTED PAGÓ POR ADQUIRIR EL PRODUCTO.

Algunos estados no permiten la exclusión o limitación de daños incidentales o emergentes, o limitaciones a la duración de la garantía implícita, por lo que la exclusión o limitación anteriormente mencionada podrían no corresponder en su caso. Esta garantía limitada le otorga derechos legales específicos y es posible que usted cuente con otros derechos que varían según el estado.

ESTA GARANTÍA LIMITADA NO CUBRE LO SIGUIENTE:

- Viajes del servicio técnico para entregar, buscar o instalar el producto, instruir al cliente sobre la operación del mismo, corregir el cableado o las reparaciones/instalaciones no autorizadas.
- Daño o fallo del producto al operar durante fallas e interrupciones del suministro eléctrico, o resultado de un servicio eléctrico inadecuado.
- Daño o fallo resultantes de operar el producto en una atmósfera corrosiva o contraria a las instrucciones detalladas en el manual del propietario del producto.
- Daños o fallos del producto causados por accidentes, pestes y alimañas, rayos, viento, incendio, inundaciones, hechos de fuerza mayor, o cualquier otra causa fuera del control de LG.
- Daños o fallos causados por modificaciones o alteraciones no autorizadas, o si se usa para otro fin que no sea el previsto.
- Daños o fallos resultantes de mal uso, abuso, instalación, reparación o mantenimiento incorrectos. Una reparación incorrecta incluye el uso de piezas no autorizadas, aprobadas o especificadas por LG. La instalación o el mantenimiento inadecuado incluye aquellos contrarios a lo especificado en el manual del usuario del producto.
- Daños o fallos causados por corriente o voltaje eléctrico incorrecto, o códigos de ventilación / fontanería.
- Daños o fallos causados por el transporte y el manejo, incluye rayas, muescas, astillados y/u otros daños al acabado del producto, a menos que tales daños se informen dentro del plazo de una (1) semana de la entrega.
- Daños o artículos faltantes a productos comprados con descuento, con la caja abierta o que hayan estado en exhibición.
- Productos reacondicionados o cualquier producto vendido con los avisos "En el estado actual", "En el sitio actual", "Con todos sus defectos" o similares.

14 GARANTÍA LIMITADA

- Productos cuyos números de serie originales hayan sido retirados, alterados o no se puedan determinar fácilmente.
- Aumentos en los costos de los servicios públicos y otros gastos adicionales de dichos servicios.
- Cualquier ruido asociado con la operación normal.
- Uso de accesorios, componentes, o productos de limpieza consumibles que no estén autorizados por LG.
- Reemplazo de focos, filtros o cualquier parte consumible.
- Cuando el producto se use de otra forma que no sea uso doméstico usual y normal (p. ej., uso comercial o industrial, en oficinas e instalaciones recreativas o vehículos) o uso contrario a las instrucciones detalladas en el manual del propietario del producto.
- Costos asociados con el retiro y la reinstalación de su producto para realizar reparaciones.
- Estantes, cajones y accesorios, excepto partes internas / funcionales cubiertas bajo esta garantía limitada.

El costo de reparación o reemplazo bajo las circunstancias excluidas anteriores correrá a cargo del consumidor.

PARA OBTENER SERVICIO EN GARANTÍA E INFORMACIÓN ADICIONAL

Llame al 1-800-243-0000 y seleccione la opción apropiada desde el menú.

O visite nuestro sitio web en <http://www.lg.com>

O por correo: LG Electronics Customer Service P.O. Box 240007 Huntsville, AL 35813 ATTN: CIC

PROCEDIMIENTO PARA RESOLVER CONFLICTOS:

TODOS LOS CONFLICTOS ENTRE USTED Y LG QUE SURJAN FUERA DE O RELACIONADOS DE ALGUNA MANERA CON ESTA GARANTÍA LIMITADA O CON EL PRODUCTO, SE RESOLVERÁN EXCLUSIVAMENTE A TRAVÉS DE UN ARBITRAJE VINCULANTE Y NO EN UNA CORTE DE JURISDICCIÓN GENERAL. ARBITRAJE VINCULANTE SIGNIFICA QUE USTED Y LG RENUNCIAN AL DERECHO DE UN JUICIO CON JURADO Y A REALIZAR O PARTICIPAR EN UNA DEMANDA COLECTIVA.

Definiciones. Para el propósito de esta sección, las referencias a "LG" significan: LG Electronics U.S.A., Inc., sus empresas matrices, subsidiarias y filiales y cada uno de sus directivos, directores, empleados, agentes, beneficiarios, predecesores en interés, sucesores, cesionarios y proveedores; las referencias a "conflicto" o "reclamación" incluirán cualquier conflicto, reclamo o controversia de cualquier tipo, sin importar (ya sea basado en contrato, agravio, estatuto, regulación, ordenanza, fraude, falsa representación o cualquier teoría legal o equitativa) que surja de o esté relacionada con cualquier forma de venta, condición o desempeño del producto o de esta Garantía Limitada.

Aviso de disputa. En caso de que usted desee iniciar un procedimiento de arbitraje, primero debe notificar a LG por escrito al menos 30 días antes de iniciar el arbitraje enviando una carta a LG a LG Electronics, USA, Inc. Atención: Legal Department- Arbitration 1000 Sylvan Ave, Englewood Cliffs 07632. Usted y LG aceptan participar en discusiones de buena fe en un intento de resolver su reclamo de manera amistosa. En la carta debe proporcionar su nombre, dirección y número de teléfono; identificar el producto que es objeto de la reclamación; y describir la naturaleza del reclamo y el remedio que busca. Si usted y LG no pueden resolver la disputa dentro de 30 días, cualquiera de las partes pueden proceder a presentar una demanda de arbitraje.

Acuerdo de arbitraje vinculante y renuncia de demanda colectiva. En caso de no resolver la disputa durante el período de 30 días después de enviar una notificación por escrito a LG, Usted y LG se comprometen a resolver cualquier reclamo entre nosotros, solamente a través de arbitraje vinculante sobre una base individual, a menos que usted se excluya, conforme a lo dispuesto a continuación. Cualquier conflicto entre usted y LG no estarán combinados o consolidados con una controversia relacionada con cualquier otro producto o reclamo de otra persona o entidad. Más específicamente y sin perjuicio de lo anterior, no procederá bajo ninguna circunstancia cualquier disputa entre usted y LG como parte de una acción colectiva o representativa. En lugar del arbitraje, cualquiera de las partes podrá iniciar una acción individual en la corte de reclamos menores, pero tales acciones en la corte de reclamos menores no podrán ser realizadas en una acción colectiva o representativa.

Normas y procedimientos de arbitraje. Para comenzar con el arbitraje de un reclamo, usted o LG deben realizar una demanda escrita para arbitraje. El arbitraje será administrado por la Asociación Americana de Arbitraje (AAA) y se llevará a cabo ante un árbitro único bajo las Normas de Arbitraje del Consumidor de la AAA, que tienen efecto al momento de inicio del arbitraje (en adelante “Normas de la AAA”) y bajo los procedimientos establecidos en esta sección. Las Normas de la AAA están disponibles en línea en www.adr.org/consumer. Envíe una copia de su solicitud de arbitraje por escrito, así como una copia de esta disposición, a la AAA de la forma descrita en las Normas de la AAA. También debe enviar una copia de su solicitud por escrito a LG en LG Electronics, USA, Inc. Atención: Legal Department- Arbitration 1000 Sylvan Ave, Englewood Cliffs 07632. Si hay un conflicto entre las Normas de la AAA y las reglas establecidas en esta sección, prevalecerán dichas reglas de esta sección. Esta disposición de arbitraje se rige por la Ley Federal de Arbitraje. El juicio se pueden introducir en el laudo arbitral en cualquier tribunal de jurisdicción competente. Todos son temas para que el árbitro tome sus decisiones, excepto aquellos asuntos relativos al alcance y aplicabilidad de la cláusula de arbitraje y de la capacidad de arbitraje de la controversia para que el tribunal decida. El árbitro se regirá por los términos de esta disposición.

Legislación vigente. La legislación del estado de su residencia regirá esta Garantía Limitada, así como todas las disputas entre nosotros, salvo que sea invalidada o inconsistente con leyes federales aplicables.

Tarifas / Costos. Usted no debe pagar ninguna tarifa para comenzar un arbitraje. Al recibir su solicitud de arbitraje por escrito, LG pagará todos los gastos administrativos rápidamente a la AAA, a menos que usted solicite más de \$25,000.00 por daños, en cuyo caso el pago de estos gastos se regirá por las Normas de la AAA. Salvo disposición contraria prevista en el presente documento, LG pagará a la AAA todos los gastos documentales, administrativos y de arbitraje para cualquier arbitraje iniciado, de conformidad con las Normas de la AAA y esta disposición de arbitraje. Si usted prevalece en el arbitraje, LG pagará los honorarios y gastos de sus abogados, siempre y cuando sean razonables, considerando factores que incluyen, entre otros, el monto de la compra y el monto del reclamo. No obstante lo anterior, si la ley aplicable permite una adjudicación de honorarios y gastos razonables de abogados, un árbitro pueden otorgarlos en la misma medida que lo haría un tribunal. Si el árbitro considera que la sustancia de su reclamo o la reparación solicitada en la demanda es frívola o se utiliza para un propósito inadecuado (calificado según las normas establecidas en la Norma Federal de Procedimiento Civil 11 (b)), el pago de todos los honorarios de arbitraje se regirá por las Normas de la AAA. En tal situación usted se compromete a reembolsar a LG todos los fondos erogados previamente por ella, cuyo pago es, por otra parte, su obligación, según las Normas de la AAA. Salvo disposición contraria, LG renuncia a cualquier derecho que pudiera tener para solicitarle los honorarios y gastos de sus abogados, si LG prevalece en el arbitraje.

Audiencias y ubicación. Si su reclamo es por \$25,000 o menos, usted pueden optar que el arbitraje sea realizado únicamente sobre la base de: (1) documentos presentados al árbitro, (2) a través de una audiencia telefónica o (3) por una audiencia en persona, según lo establecido por las Normas de la AAA. Si su reclamo excede \$25,000, el derecho a una audiencia estará determinado por las Normas de la AAA. Cualquier audiencia de arbitraje en persona se realizará en un lugar dentro del distrito judicial federal en el cual reside, a menos que ambos acuerden otra ubicación o estemos de acuerdo con el arbitraje telefónico.

Exclusión. Usted pueden quedarse fuera de este procedimiento de resolución de la disputa. Si se excluye, ni usted ni LG pueden solicitar al otro que participe en un procedimiento de arbitraje. Para excluirse usted debe enviar una notificación a LG, en un lapso de hasta 30 días continuos, contados a partir de la fecha de la primera compra del consumidor del producto, ya sea por: (i) el envío de un correo electrónico a optout@lge.com con el siguiente Asunto: “Exclusión del arbitraje” o (ii) llamada al 1-800-980-2973. Debe incluir en el correo electrónico de exclusión o suministrar por teléfono: (a) su nombre y dirección; (b) la fecha en la cual el producto fue comprado; (c) el nombre o el número del modelo del producto; y (d) el número del serial (el número del serial pueden ser hallado (i) en el producto, o (ii) en la dirección de <https://www.lg.com/us/support/repair-service/schedule-repair-continued> al hacer clic en “Find My Model & Serial Number”).

Sólo pueden excluirse del procedimiento de resolución de conflictos en la forma descrita anteriormente (es decir, por correo electrónico o por teléfono); ninguna otra forma de notificación será efectiva para hacerlo. Excluirse de este procedimiento de resolución de controversias no afectará de ninguna manera la cobertura de la Garantía Limitada, por lo que usted continuará disfrutando de todos sus beneficios. Si conserva este producto y no se excluye, usted acepta todos los términos y condiciones de la cláusula de arbitraje descrita anteriormente.

MEMO



MANUEL DU PROPRIÉTAIRE

HOTTE

FRANÇAIS

Veillez lire attentivement le présent manuel de l'utilisateur avant de faire fonctionner l'appareil et conservez-le à portée de la main pour le consulter en tout temps.

LSHD3689BD LSHD3089BD
LSHD3680ST LSHD3080ST



MFL70282902_06

www.lg.com

Copyright © 2017 - 2020 LG Electronics Inc. Tous droits réservés.

TABLE DES MATIÈRES

3 CONSIGNES DE SÉCURITÉ IMPORTANTES

6 APERÇU DU PRODUIT

- 6 Pièces
- 6 Caractéristiques

7 FONCTIONNEMENT

8 FONCTIONS INTELLIGENTES

- 8 Application LG ThinQ
- 9 Avis d'Industrie Canada
- 9 Énoncé d'IC concernant l'exposition à la radiation

10 ENTRETIEN

- 10 Entretien des surfaces
- 10 Filtres à tamis en aluminium
- 10 Pour enlever les filtres à tamis en aluminium

11 DÉPANNAGE

- 11 Avant d'appeler le réparateur

13 GARANTIE LIMITÉE

CONSIGNES DE SÉCURITÉ IMPORTANTES

Lisez et suivez toutes les consignes avant d'utiliser cette cuisinière afin d'éviter tout risque d'incendie, de décharge électrique, de blessure ou de dommage. Ce guide ne couvre pas toutes les situations susceptibles de survenir. Communiquez toujours avec votre agent de service ou fabricant concernant les problèmes que vous ne comprenez pas.

Vous pouvez télécharger le manuel du propriétaire au <http://www.lg.com>



Ceci est le symbole d'alerte de sécurité. Ce symbole vous alerte des dangers potentiels pouvant provoquer des dommages matériels et/ou des blessures corporelles graves ou la mort. Tous les messages de sécurité seront précédés du symbole d'alerte de sécurité, ainsi que du mot « AVERTISSEMENT » ou « MISE EN GARDE ». Voici le message que ces mots véhiculent :



AVERTISSEMENT - Indique une situation dangereuse qui, si non évitée, pourrait entraîner la mort ou des blessures graves.



MISE EN GARDE - Indique une situation dangereuse qui, si non évitée, pourrait entraîner des blessures légères ou de gravité moyenne.



AVERTISSEMENT

- Pour éviter les risques d'explosion ou d'incendie, n'entreposez ou n'utilisez pas de substances ou de liquides combustibles, inflammables ou explosifs (comme de l'essence) à l'intérieur ou à proximité de cet appareil ou de tout autre appareil. Veillez également à conserver les objets qui pourraient exploser, comme des bombes aérosol, loin des brûleurs sur la surface de cuisson, des fours et des hottes. Ne conservez pas de matières inflammables ou explosives dans des armoires ou des zones adjacentes.
- **POUR RÉDUIRE LES RISQUES D'INCENDIE, DE DÉCHARGE ÉLECTRIQUE ET DE BLESSURES, SUIVEZ LES PRÉCAUTIONS SUIVANTES :**
 - N'utilisez cet appareil que pour l'usage prévu par le fabricant. Si vous avez des questions, communiquez avec le fabricant.
 - Avant d'entretenir ou de nettoyer l'appareil, fermez l'alimentation dans le panneau de service et verrouillez la porte du panneau de service pour empêcher l'activation accidentelle de l'alimentation. Lorsque la porte du panneau de service ne peut pas être verrouillée, apposez-y un dispositif d'avertissement visible, comme une étiquette.



MISE EN GARDE

- Pour ventilation générale seulement. N'utilisez pas cet appareil pour évacuer des vapeurs et des matériaux explosifs ou dangereux.

PRÉCAUTIONS DE SÉCURITÉ GÉNÉRALES

Pour réduire le risque d'incendie, de décharge électrique ou de blessures lors de l'utilisation de la hotte, suivez notamment les précautions de base suivantes :



AVERTISSEMENT

- Si vous avez reçu un produit endommagé, communiquez immédiatement avec votre détaillant ou le fabricant. N'installez pas et n'utilisez pas une hotte endommagée.
- Veillez à faire installer et à mettre à la terre votre hotte par un installateur qualifié et conformément aux instructions d'installation. Demandez à l'installateur de vous montrer où se trouve le fusible ou la boîte de jonction afin que vous sachiez où et comment couper l'alimentation.
- N'installez pas, ne réparez pas et ne remplacez pas toute pièce de la hotte, à moins que cela ne soit expressément recommandé dans la documentation accompagnant l'appareil. Tous les autres travaux d'entretien doivent être réalisés par un technicien qualifié.
- Pour éviter tout risque de décharge électrique lors de l'entretien de la hotte, coupez l'alimentation en retirant le fusible ou en désactivant la boîte de jonction, puis verrouillez la porte du panneau de commande électrique pour empêcher l'activation accidentelle de l'alimentation. Lorsque le panneau de service ne peut pas être verrouillé, apposez-y un dispositif d'avertissement visible, comme une étiquette.
- Pour éviter tout risque de décharge électrique, coupez l'alimentation principale avant de nettoyer la hotte.
- Utilisez la hotte uniquement pour l'usage prévu et décrit dans ce manuel. N'utilisez PAS cette hotte pour évacuer des vapeurs ou des substances dangereuses ou explosives. Si vous avez des questions, communiquez avec le fabricant.
- Ne modifiez pas les commandes.
- Ne laissez jamais les filtres se bloquer ou se boucher. Veillez à ce que des objets étrangers, comme des cigarettes ou des serviettes de papier, ne se retrouvent pas aspirés par la hotte.
- Si la surface de cuisson et la hotte sont installées près d'une fenêtre, veillez à utiliser des garnitures de fenêtre appropriées. Évitez d'utiliser de longs rideaux ou d'autres couvre-fenêtres qui pourraient retomber sur la surface de cuisson et la hotte, car cela pourrait causer un risque d'incendie.
- Activez toujours le ventilateur lorsque la surface de cuisson fonctionne.
- Ne laissez pas des enfants seuls ou sans surveillance près de la surface de cuisson et de la hotte lorsque celles-ci fonctionnent. Ne laissez jamais un enfant s'asseoir ou se tenir debout sur un appareil. Ne laissez pas les enfants jouer avec une cuisinière, une surface de cuisson ou une hotte. Ne rangez pas des objets pouvant intéresser les enfants au-dessus ou près de la surface de cuisson, de la cuisinière ou de la hotte.
- Le dégagement vertical minimal entre la surface de cuisson et la partie extérieure de la hotte doit être supérieur à 26 po (66 cm). Le dégagement vertical requis pourrait être plus long en fonction de la cuisinière ou de la surface de cuisson. Consultez les directives d'installation de la cuisinière ou de la surface de cuisson pour connaître le dégagement vertical minimal requis.
- Pour réduire le risque d'incendie en raison d'une accumulation de graisse dans la hotte :
 - Ne laissez jamais sans surveillance un élément de surface réglé à feu vif. Les débordements causent de la fumée et des dépôts de graisse qui peuvent s'enflammer. Faites chauffer l'huile lentement, à feu doux ou moyen.
 - Activez toujours la hotte lorsque vous cuisinez à feu vif ou lorsque vous faites flamber des aliments (c.-à-d. crêpes Suzette, cerises jubilé, flambé de bœuf au poivre).
 - Nettoyez les ventilateurs d'aspiration fréquemment. Vous ne devez pas laisser la graisse s'accumuler sur le ventilateur ou sur le filtre.
 - Utilisez des casseroles de la taille adaptée. Utilisez toujours une batterie de cuisine convenant à la taille des éléments de la surface de cuisson.

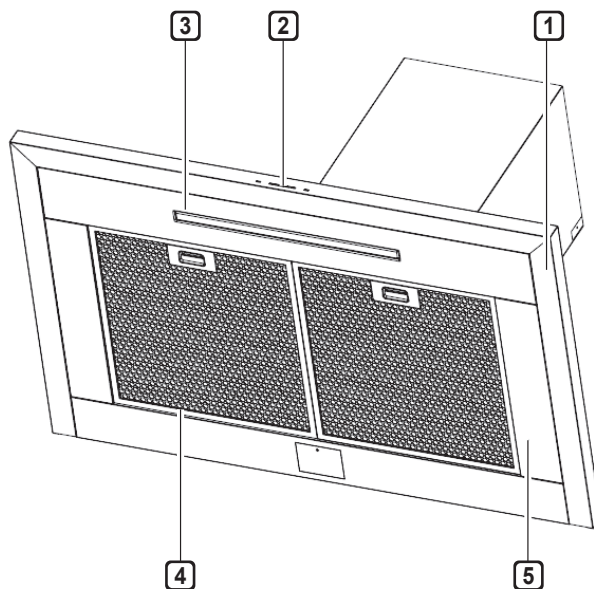
AVERTISSEMENT

- POUR RÉDUIRE LE RISQUE DE BLESSURES EN CAS D'INCENDIE CAUSÉ PAR DE LA GRAISSE SUR LA CUISINIÈRE :
 - ÉTOUFFEZ LES FLAMMES à l'aide d'un couvercle étanche, d'une plaque à biscuits ou d'un plateau en métal, puis éteignez le brûleur. VEILLEZ À NE PAS VOUS BRÛLER. Si les flammes ne s'éteignent pas sur-le-champ, ÉVACUEZ LE BÂTIMENT ET APPELEZ LE SERVICE D'INCENDIE.
 - NE TOUCHEZ JAMAIS À UNE CASSEROLE EN FEU – vous pourriez vous brûler.
 - N'UTILISEZ PAS D'EAU, y compris des chiffons et des serviettes humides, car cela pourrait causer une violente explosion de vapeur.
 - Utilisez un extincteur UNIQUEMENT si :
 - Vous possédez un extincteur de type ABC et savez déjà comment l'utiliser;
 - L'incendie est petit et confiné à la zone où il a pris naissance;
 - Vous appelez le service d'incendie;
 - Vous pouvez combattre les flammes en faisant dos à une sortie.

LISEZ ET CONSERVEZ CES INSTRUCTIONS.

APERÇU DU PRODUIT

Pièces

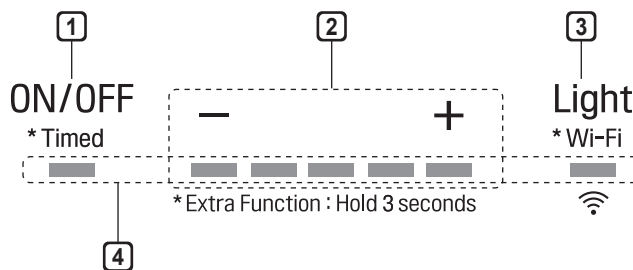


- 1 HOTTE
- 2 ICÔNE DU PANNEAU DE COMMANDE TACTILE
- 3 CORDON LUMINEUX À DEL
- 4 FILTRES À TAMIS EN ALUMINIUM
- 5 PANNEAU LATÉRAL (seulement pour les modèles LSHD3689BD et LSHD3680ST)

Caractéristiques

Modèles de cuisinière	LSHD3689BD, LSHD3680ST, LSHD3089BD, LSHD3080ST
Largeur de hotte	LSHD3689BD, LSHD3680ST : 36 pouces LSHD3089BD, LSHD3080ST : 30 pouces
Filtres	2 pcs
Lumineux	1(Type de cordon à DEL)

FONCTIONNEMENT



FRANÇAIS

1 MISE EN MARCHE/ARRÊT À RETARDEMENT ON/OFF *Timed

Fonction de la touche de mise en marche

- La touche ON/OFF *Timed permet d'allumer et d'éteindre toutes les fonctions de la hotte (ventilateurs et lumières).
- La hotte se rappelle la dernière vitesse et le dernier niveau d'éclairage utilisés.
(Exemple : Appuyez sur la touche ON/OFF *Timed lorsque le ventilateur fonctionne à la vitesse 4 et que les lumières sont allumées à haute intensité. Si vous appuyez de nouveau sur la touche ON/OFF *Timed, le ventilateur repart à la vitesse 4 et les lumières se rallument à haute intensité.)

Fonction de la touche d'arrêt à retardement

- Lorsque le ventilateur est en cours d'utilisation, appuyez sur la touche ON/OFF *Timed et maintenez-la enfoncée pendant deux secondes. Le ventilateur passe à la vitesse 1 et le compte à rebours de la minuterie de l'arrêt à retardement commence.
Les DEL ON/OFF *Timed et - + s'illuminent et clignotent lentement en fonction du temps qu'il reste avant l'arrêt automatique du ventilateur et des lumières.
- Appuyez sur la touche ON/OFF *Timed lorsque la fonction d'arrêt à retardement est en cours d'utilisation pour éteindre la hotte et annuler la fonction d'arrêt à retardement.

2 TOUCHE DE CHOIX DE VITESSE

Touche de réduction de vitesse du ventilateur —

- Appuyez sur cette touche pour réduire la vitesse du ventilateur. 5, 4, 3, 2, 1.
- Si le ventilateur est à la vitesse 1 et que vous appuyez sur cette touche, le ventilateur s'éteint.

Touche d'augmentation de vitesse du ventilateur +

- Appuyez sur cette touche pour augmenter la vitesse du ventilateur. 1, 2, 3, 4, 5.
- Si le ventilateur est éteint et que vous appuyez sur cette touche, le ventilateur s'allume à la vitesse 1.

3 TOUCHE DE CONTRÔLE DES LUMIÈRES Light *Wi-Fi

- Il existe deux intensités : haute et basse.
- Lorsque les lumières sont éteintes, appuyez une fois pour les allumer à haute intensité. Appuyez de nouveau pour les mettre en veilleuse. Appuyez encore une fois pour les éteindre.
- Appuyez sur la touche de la lumière et maintenez-la enfoncée pendant trois secondes pour établir la connexion à un réseau Wi-Fi domestique. Voir la page 8 pour obtenir plus d'information.



4 AFFICHEUR

Rappel de nettoyage des filtres à tamis (toujours activé)

- Après 30 heures d'utilisation du ventilateur, l'icône — commence à clignoter lentement, indiquant qu'il est temps de nettoyer les filtres à tamis.
- **Pour réinitialiser:** Lorsque la hotte est éteinte : tenez la touche — enfoncée pendant trois secondes. Tous les indicateurs DEL clignotent deux fois, confirmant la réinitialisation de la minuterie de 30 heures.

FONCTIONS INTELLIGENTES

Application LG ThinQ

Cette fonctionnalité est offerte uniquement sur les modèles portant le logo  ou .

L'application **LG ThinQ** vous permet de communiquer avec l'appareil à l'aide d'un téléphone intelligent.

Caractéristiques de l'application LG ThinQ

Paramètres

Cette fonctionnalité vous permet de régler diverses options du four et de l'application.

Surveillance

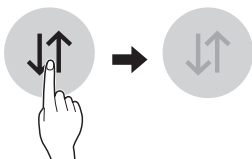
Cette fonctionnalité vous permet de voir à l'écran l'état actuel du four, le temps restant, les réglages de cuisson et l'heure de fin de la cuisson.

REMARQUE

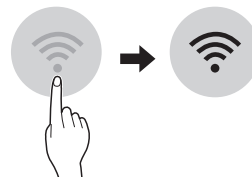
- Si vous changez de routeur sans fil, de fournisseur de services Internet ou de mot de passe, supprimez l'appareil enregistré de l'application **LG ThinQ**, puis enregistrez-le de nouveau.
- Cette information est à jour au moment de la publication. L'application est sujette à des modifications à des fins d'amélioration du produit, et ce, sans que l'utilisateur en soit préalablement avisé.
- Cette fonctionnalité est offerte sur certains modèles seulement.

Avant d'utiliser l'application LG ThinQ


- 1 Utilisez un téléphone intelligent pour vérifier la force du signal du routeur sans fil (réseau Wi-Fi) à proximité de l'appareil.
 - S'il y a une trop grande distance entre l'appareil et le routeur sans fil, l'intensité du signal s'affaiblit. L'enregistrement peut prendre du temps ou l'installation peut échouer.
- 2 Désactivez les **Données mobiles** ou les **Données cellulaires** sur votre téléphone intelligent.



- 3 Connectez votre téléphone intelligent au routeur sans fil.



REMARQUE

- Pour connaître l'état du réseau Wi-Fi, vérifiez que l'icône **Wi-Fi**  est allumée sur le panneau de configuration.
- L'appareil prend seulement en charge les réseaux Wi-Fi de 2,4 GHz. Pour vérifier la fréquence de votre réseau, contactez votre fournisseur de services Internet ou reportez-vous au manuel de votre routeur sans fil.
- **LG ThinQ** n'est pas responsable des problèmes de connexion au réseau ou des défauts, dysfonctionnements ou erreurs causés par la connexion au réseau.
- L'environnement sans fil peut causer un ralentissement du fonctionnement du réseau sans fil.
- Si l'appareil a des difficultés à se connecter au réseau Wi-Fi, il est peut-être trop loin du routeur. Procurez-vous un répéteur Wi-Fi (rallonge de portée) pour améliorer la force du signal Wi-Fi.
- La connexion réseau peut ne pas fonctionner correctement selon le fournisseur de services Internet.
- La connexion Wi-Fi peut ne pas se faire ou être interrompue à cause de l'environnement du réseau domestique.
- Si l'appareil ne peut pas être enregistré en raison de problèmes avec la transmission du signal sans fil, débranchez l'appareil et attendez environ une minute avant de réessayer.
- Si le pare-feu de votre routeur sans fil est activé, désactivez-le ou ajoutez-y une exception.
- Le nom du réseau sans fil (SSID) doit être une combinaison de lettres et de chiffres anglais. (N'utilisez pas de caractères spéciaux.)
- L'interface utilisateur (IU) du téléphone intelligent peut varier en fonction du système d'exploitation (SE) mobile et du fabricant.
- Si le protocole de sécurité du routeur est configuré sur **WEP**, la configuration du réseau peut échouer. Veuillez changer le protocole de sécurité (nous recommandons **WPA2**) et enregistrez le produit à nouveau.

Installation de l'application LG ThinQ

À partir d'un téléphone intelligent, cherchez l'application **LG ThinQ** dans la boutique Google Play ou l'App Store d'Apple. Suivez les directives pour télécharger et installer l'application.

Caractéristiques du module LAN sans fil

Modèle	LCW-003
Gamme de fréquences	2412 - 2462 MHz
Puissance de sortie (Max.)	< 30 dBm

Avis d'Industrie Canada

- Pour le module de transmetteur qui se trouve dans le produit

L'émetteur/récepteur exempt de licence contenu dans le présent appareil est conforme aux CNR d'Innovation, Sciences et Développement économique Canada applicables aux appareils radio exempts de licence. L'exploitation est autorisée aux deux conditions suivantes :

- (1) Cet appareil ne doit pas provoquer d'interférences.
- (2) Cet appareil doit accepter toutes les interférences, y compris celles pouvant entraîner son dysfonctionnement.

Énoncé d'IC concernant l'exposition à la radiation

Cet appareil est conforme aux limites d'exposition aux rayonnements d'Industrie Canada pour un environnement non contrôlé

Cet appareil doit être installé et utilisé de façon à garder une distance minimale de 20 cm (7,8 pouces) entre la source de rayonnement et votre corps.

REMARQUE

LE FABRICANT N'EST PAS RESPONSABLE DES INTERFÉRENCES RADIOÉLECTRIQUES CAUSÉES PAR DES MODIFICATIONS NON AUTORISÉES APPORTÉES À CET APPAREIL. DE TELLES MODIFICATIONS POURRAIENT ANNULER L'AUTORISATION ACCORDÉE À L'UTILISATEUR DE FAIRE FONCTIONNER L'APPAREIL.

FRANÇAIS

Informations sur les logiciels libres

Pour obtenir le code source conformément aux dispositions de la licence publique générale, de la licence publique générale limitée, de la licence publique Mozilla et de toute autre licence régissant les logiciels à code source libre contenus dans cet appareil, visitez le site <http://opensource.lge.com>. En plus du code source, toutes les dispositions de licence, les exonérations de garantie et les avis de droits d'auteurs peuvent aussi être téléchargés.

LG Electronics mettra également à votre disposition le code source libre sur CD-ROM pour un prix couvrant le coût de la distribution (coût du support, de l'expédition et de la manutention) sur simple demande par courriel à l'adresse opensource@lge.com. Cette offre est valable pendant une période de trois ans à compter de la date de la dernière distribution de ce produit. Cette offre est valide pour quiconque possède cette information.

ENTRETIEN

Entretien des surfaces

Nettoyez régulièrement les surfaces de la hotte avec de l'eau savonneuse chaude et un chiffon de coton propre. N'utilisez pas de détergent abrasif ou corrosif, de laines d'acier ou de tampons à récurer; ils égratigneront et endommageront les surfaces.

Pour les taches plus tenaces, utilisez du produit dégraissant liquide.

Après le nettoyage, vous pouvez polir les surfaces avec des produits de polissage à acier inoxydable non abrasifs pour redonner de l'éclat et du lustre aux surfaces. Frottez toujours doucement, avec un chiffon de coton propre, et dans le sens du grain.

Filtres à tamis en aluminium

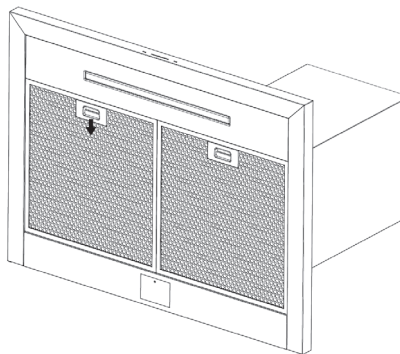
Les filtres à tamis en aluminium installés par le fabricant ont pour fonction de filtrer les résidus et la graisse de cuisson. Ils ne nécessitent aucun remplacement sur une base régulière, mais doivent être gardés propres.

Enlevez-les et nettoyez-les à la main ou au lave-vaisselle avec de l'eau tiède. Vaporisez avec du détergent pour graisse et laissez tremper pour éliminer la saleté accumulée.

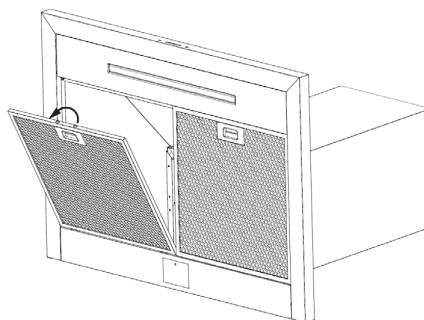
Séchez les filtres et réinstallez-les avant d'utiliser la hotte.

Pour enlever les filtres à tamis en aluminium

- 1 Poussez la poignée qui se trouve sur le filtre vers l'arrière de la hotte.



- 2 Faites pivoter l'avant du filtre vers le bas, puis tirez le filtre vers l'avant pour le retirer.



- Suivez ces étapes à l'envers pour replacer le filtre.

DÉPANNAGE

Avant d'appeler le réparateur

Symptômes	Causes possibles / Solutions
Après l'installation, l'appareil ne fonctionne pas.	<ul style="list-style-type: none"> Le bloc d'alimentation n'est pas allumé. <ul style="list-style-type: none"> Assurez-vous que l'alimentation du disjoncteur et de l'appareil est allumée. La ligne électrique et le raccord de câble ne sont pas correctement branchés. <ul style="list-style-type: none"> Vérifiez que le branchement de l'appareil a été fait correctement.
Les lumières fonctionnent, mais le moteur ne tourne pas.	<ul style="list-style-type: none"> Le système de protection thermique détecte que le ventilateur est trop chaud pour fonctionner et l'éteint. <ul style="list-style-type: none"> Le ventilateur fonctionnera normalement lorsque le système de protection thermique aura refroidi.
L'appareil vibre.	<ul style="list-style-type: none"> Le moteur n'est pas bien fixé en place. <ul style="list-style-type: none"> Fixez solidement le moteur en place. La roue du ventilateur est endommagée. <ul style="list-style-type: none"> Appeler le réparateur. La hotte n'est pas bien fixée en place. <ul style="list-style-type: none"> Vérifiez l'installation de la hotte.
Le moteur fonctionne, mais pas les lumières.	<ul style="list-style-type: none"> Appeler le réparateur.
Les différentes vitesses du ventilateur semblent toutes les mêmes.	<ul style="list-style-type: none"> Vous n'utilisez pas le bon diamètre de conduit. <ul style="list-style-type: none"> Installez un conduit circulaire minimal de 8" ou rectangulaire de 3-1/4" x 10" pour un ventilateur simple, ou un conduit circulaire de 10" pour un ventilateur double.
La hotte ne fonctionne pas bien.	<ul style="list-style-type: none"> La hotte est possiblement installée trop haut par rapport à la cuisinière. <ul style="list-style-type: none"> Ajustez la distance entre la surface de la cuisinière et la base de la hotte entre 26" et 36". Du vent provenant d'une fenêtre ou d'une porte ouverte avoisinante nuit à la ventilation. <ul style="list-style-type: none"> Fermez toutes les portes et fenêtres pour éliminer les courants d'air. L'ouverture du conduit ou le conduit lui-même est bloqué. <ul style="list-style-type: none"> Enlevez tout ce qui bloque l'ouverture ou le conduit d'aération. L'ouverture du conduit est contre le vent. <ul style="list-style-type: none"> Ajustez l'orientation de l'ouverture du conduit. Mauvaises dimensions de conduit d'aération. <ul style="list-style-type: none"> Remplacez le conduit par un conduit adéquat de 6" de diamètre ou plus pour le ventilateur interne et de 8" ou plus pour le ventilateur externe
Le filtre en métal vibre.	<ul style="list-style-type: none"> Le filtre en métal est desserré. <ul style="list-style-type: none"> Remplacez le filtre en métal.
L'appareil se met en marche par lui-même.	<ul style="list-style-type: none"> Une lumière éclaire directement les interrupteurs. <ul style="list-style-type: none"> Les interrupteurs sont photosensibles. Une source lumineuse qui éclairerait directement les interrupteurs pourrait perturber le fonctionnement normal de ceux-ci.

12 DÉPANNAGE

Symptômes	Causes possibles / Solutions
L'appareil et le téléphone intelligent n'arrivent pas à se connecter au réseau Wi-Fi.	<ul style="list-style-type: none">• Le mot de passe du réseau Wi-Fi a été mal saisi.<ul style="list-style-type: none">– Supprimez votre réseau Wi-Fi domestique et recommencez le processus d'enregistrement.• Les Données Mobiles de votre téléphone intelligent sont activées.<ul style="list-style-type: none">– Désactivez les Données Mobiles de votre téléphone intelligent avant d'enregistrez l'appareil.• Le nom du réseau sans fil (SSID) est erroné.<ul style="list-style-type: none">– Le nom du réseau sans fil (SSID) doit être une combinaison de lettres et de chiffres anglais. (N'utilisez pas de caractères spéciaux.)• La fréquence du routeur n'est pas de 2,4 GHz.<ul style="list-style-type: none">– Seule une fréquence de routeur de 2,4 GHz est prise en charge. Réglez le routeur sans fil à 2,4 GHz et connectez-y l'appareil. Pour connaître la fréquence du routeur, informez-vous auprès de votre fournisseur de services Internet ou du fabricant du routeur.• La distance entre l'appareil et le routeur est trop grande.<ul style="list-style-type: none">– Si l'appareil est trop éloigné du routeur, le signal peut être faible et la connexion peut ne pas être configurée correctement. Placez le routeur plus près de l'appareil ou achetez et installez un répéteur Wi-Fi.

GARANTIE LIMITÉE (CANADA)

AVIS D'ARBITRAGE : LA PRÉSENTE GARANTIE LIMITÉE CONTIENT UNE DISPOSITION SUR L'ARBITRAGE QUI EXIGE QUE LE RÈGLEMENT DES DIFFÉRENDS ENTRE VOUS ET LG S'EFFECTUE PAR ARBITRAGE EXÉCUTOIRE PLUTÔT QUE DEVANT UN TRIBUNAL, À MOINS QUE LES LOIS DE VOTRE PROVINCE OU TERRITOIRE L'INTERDISSENT OU QUE, DANS UN AUTRE TERRITOIRE DE COMPÉTENCE, VOUS VOUS PRÉVALIEZ D'UNE OPTION DE RETRAIT. LES RECOURS COLLECTIFS ET LES PROCÈS DEVANT JURY NE SONT PAS AUTORISÉS PAR LE PROCESSUS D'ARBITRAGE. VEUILLEZ VOUS RÉFÉRER CI-DESSOUS À L'ARTICLE « PROCÉDURE DE RÈGLEMENT DE DIFFÉREND ».

Si votre hotte électrique LG («Produit») a tombé en panne en raison d'un défaut de matériaux ou de fabrication sous une utilisation normale et appropriée, pendant la période de garantie indiquée ci-dessous, LG Electronics Canada Inc. («LGECI»), à son gré, réparera ou remplacera le «Produit» après réception de la preuve d'achat originale au détail. Cette garantie limitée est valable uniquement qu'à l'acheteur original du «Produit» du détaillant et s'applique uniquement à un produit distribué, acheté et utilisé au Canada, tel que déterminé à la seule discrétion de «LGECI».

PÉRIODE DE GARANTIE : (Remarque : Si la date d'achat originale ne peut être vérifiée, la garantie débutera soixante (60) jours suivant la date de fabrication.)

Période de garantie	Portée de la garantie
Deux (2) an à compter de la date d'achat initiale	Pièces et main-d'oeuvre (pièces internes fonctionnelles seulement)

- Les produits et pièces de remplacement sont garantis pour la portion restante de la période de garantie originale ou quatre-vingt-dix (90) jours, selon la période la plus longue.
- Les produits et pièces de rechange peuvent être neufs, reconditionnés, remis à neuf ou autrement fabriqués en usine, tous à la seule discrétion de «LGECI».
- La preuve de l'achat de détail original spécifiant le modèle du produit et la date d'achat est requise pour obtenir un service sous garantie en vertu de la présente garantie limitée.

LA RESPONSABILITÉ DE LGECI EST LIMITÉE À LA GARANTIE LIMITÉE EXPRIMÉE CI-DESSUS. SAUF TEL QU'EXPRESSÉMENT FOURNI CI-DESSUS, LGECI DÉCLINE TOUTE AUTRE GARANTIE ET CONDITION CONCERNANT LE PRODUIT, EXPLICITE OU IMPLICITE, Y COMPRIS, MAIS SANS S'Y LIMITER, TOUTE GARANTIE IMPLICITE OU CONDITION DE QUALITÉ MARCHANDE OU D'ADAPTATION À UN USAGE PARTICULIER, ET AUCUNE REPRÉSENTATION NE SERA LIÉE À LGECI. LGECI N'AUTORISE AUCUNE PERSONNE À CRÉER OU ENSOSSER À SA PLACE QUELCONQUE AUTRE OBLIGATION DE GARANTIE OU RESPONSABILITÉ RELATIVE AU PRODUIT. DANS LA MESURE OÙ TOUTE GARANTIE OU CONDITION EST IMPLICITE PAR LA LOI, ELLE EST LIMITÉE À LA PÉRIODE DE GARANTIE DÉCLARÉE CI-DESSUS. EN AUCUN CAS, LGECI, LE FABRICANT OU LE DISTRIBUTEUR DU PRODUIT, NE SERA TENU RESPONSABLE DE TOUT DOMMAGE ACCESSOIRE, CONSÉCUTIF, SPÉCIAL, DIRECT, INDIRECT, PUNITIF OU EXEMPLAIRE, Y COMPRIS, SANS LIMITATION, LA PERTE DE COTE D'ESTIME, PERTE DE PROFITS, PERTE DE PROFITS ANTICIPÉS, PERTE DE REVENUS, PERTE D'UTILISATION OU DE TOUT AUTRE DOMMAGE, QU'IL SOIT PROVENU DIRECTEMENT OU INDIRECTEMENT DE TOUTE INFRACTION CONTRACTUELLE, VIOLATION FONDAMENTALE, DÉLICTEUELLE OU AUTRE, OU DE TOUT ACTE OU OMISSION. LA RESPONSABILITÉ TOTALE DE LGECI, S'IL EN EST, N'OUTREPASSERA PAS LE PRIX D'ACHAT PAYÉ PAR VOUS POUR LE PRODUIT.

Cette garantie limitée vous donne des droits légaux spécifiques. Vous pouvez également avoir d'autres droits qui varient d'une province à l'autre selon les lois provinciales applicables. Tout terme de cette Garantie limitée qui nie ou modifie toute condition ou garantie implicite en vertu de la loi provinciale est divisible lorsqu'elle est en conflit avec cette loi provinciale sans affecter le reste des termes de cette garantie.

LA PRÉSENTE GARANTIE LIMITÉE NE COUVRE PAS CE QUI SUIT :

- Tout déplacement du technicien pour : i) livrer, reprendre, installer ou; éduquer comment utiliser le Produit; ii) corriger le câblage ou plomberie; ou iii) rectifier toute réparation ou installation non-autorisée du Produit;
- Dommage ou panne du Produit à performer lors de panne de courant et service électrique inadéquat ou interrompu;
- Dommage ou panne résultant de l'utilisation du Produit dans un environnement corrosif ou contraire aux instructions détaillées dans le manuel d'utilisation du Produit;
- Dommage ou panne du Produit en raison d'accidents, ravageurs et parasites, foudre, vent, feu, inondations, actes de Dieu ou toute autre raison hors du contrôle de LGECI ou du fabricant;

14 LIMITED WARRANTY

- Dommage ou panne résultant d'utilisation inappropriée ou abusive ou d'installation, réparation ou entretien imparfait du Produit. Réparation imparfaite inclut l'utilisation de pièces non autorisées ou spécifiées par LGECI. Installation ou entretien imparfait inclut toute installation ou entretien contraire aux instructions détaillées au manuel d'utilisation du Produit;
- Dommage ou panne en raison de modification ou altération non autorisée du Produit, ou si utilisé pour fins autres que celle d'appareil ménager domestique, ou dommage ou panne résultant de toute fuite d'eau due à une mauvaise installation du produit;
- Dommage ou panne en raison de courant électrique, tension ou codes de plomberie incorrects;
- Dommage ou panne en raison d'utilisation autre que celle d'appareil ménager domestique normale, incluant, sans limite, l'utilisation commerciale ou industrielle, incluant l'utilisation au bureau commercial ou centre récréatif, ou détaillée autrement au manuel d'utilisation du Produit;
- Dommage ou panne provoqué par le transport et manipulation, incluant rayures, bosses, écaillage et/ou autre endommagement à la finition du Produit, **à moins que** tel dommage ait résulté de fabrication ou matériaux défectueux et rapporter à LGECI dans la (1) semaine suivant livraison du Produit;
- Dommage or articles absents de tout Produit démonstrateur, boîte ouverte, réusiné ou escompté;
- Produit réusiné ou tout Produit vendu "Tel quel", "Où est", "Avec tous défauts", ou toute mise en garde similaire;
- Produit dont le numéro de série original ait été retiré, altéré ou ne peut être facilement déterminé à la discrétion de LGECI;
- Augmentation de la facture d'électricité et dépenses additionnelles d'utilité de quelque manière associée au Produit;
- Tout bruit associé au fonctionnement normal du Produit;
- Le remplacement des ampoules, des filtres ou des consommables.
- Remplacement de toute pièce n'étant pas originalement incluse avec le Produit;
- Coûts associés au retrait et/ou réinstallation du Produit pour fins de réparation; et
- Les clayettes, tiroirs, poignées et accessoires du Produit, sauf les pièces internes / fonctionnelles couvertes par cette garantie limitée.
- Couverture pour réparations à domicile, pour produit sous garantie, sera fournie si le Produit se trouve dans un rayon de 150 km du centre de service autorisé (ASC) le plus près, tel que déterminé par LG Canada. Si votre Produit est situé à l'extérieur du rayon de 150 km d'un centre de service autorisé, tel que déterminé par LG Canada, il en ira de votre responsabilité d'apporter votre Produit, à vos frais, au centre de service (ASC) pour réparation sous garantie.

Tous coûts et dépenses associés aux circonstances exclues ci-dessus, énumérés sous la rubrique "Cette garantie limitée ne couvre pas" sont à la charge du consommateur.

AFIN D'OBTENIR SOUTIEN DE GARANTIE ET INFORMATIONS SUPPLÉMENTAIRES VEUILLEZ NOUS APPELER OU VISITER NOTRE SITE WEB :

Sans frais : 1-888-542-2623 (7h à minuit – l'année longue) et sélectionnez l'option appropriée au menu, ou; Visitez le site web à : <http://www.lg.com>

PROCÉDURE DE RÈGLEMENT DE DIFFÉREND :

SAUF LA OÙ LA LOI L'INTERDIT, TOUT DIFFÉREND ENTRE VOUS ET LG ASSOCIÉ DE QUELQUE FAÇON QUE CE SOIT À LA PRÉSENTE GARANTIE LIMITÉE SE RÈGLE EXCLUSIVEMENT PAR ARBITRAGE EXÉCUTOIRE PLUTÔT QUE DEVANT UN TRIBUNAL DE DROIT COMMUN. SAUF LA OÙ LA LOI L'INTERDIT, VOUS ET LG RENONCEZ IRRÉVOCABLEMENT À TOUT DROIT À UN PROCÈS DEVANT JURY, AINSI QU'À EXERCER UN RECOURS COLLECTIF OU À Y PARTICIPER.

Définitions. Aux fins du présent article, « LG » désigne LG Electronics Canada Inc., ses sociétés mères, ses filiales et ses sociétés affiliées et tous leurs dirigeants, administrateurs, employés, agents, bénéficiaires, détenteurs précédents des mêmes droits, successeurs, cessionnaires et fournisseurs; « différend » et « réclamation » englobent tout différend, réclamation ou litige de quelque sorte que ce soit (fondés sur une responsabilité contractuelle, délictuelle, légale, réglementaire ou découlant d'une ordonnance, par fraude, fausse représentation ou sous quelque régime de responsabilité que ce soit) découlant de quelque façon que ce soit de la vente, des conditions ou de l'exécution du produit ou de la présente Garantie limitée.

Avis de différend. Si vous prévoyez engager une procédure d'arbitrage, vous devez d'abord envoyer à LG un préavis écrit d'au moins 30 jours à l'adresse suivante : Équipe juridique LGECI, Norelco Drive, North York, Ontario, Canada M9L 2X6 (l'« avis de différend »). Vous et LG convenez de discuter en toute bonne foi pour tenter de régler le différend à l'amiable. L'avis doit mentionner votre nom, votre adresse, votre numéro de téléphone, le produit faisant l'objet de la réclamation, la nature de la réclamation et la réparation demandée. Si vous et LG ne parvenez pas à régler le différend dans les 30 jours suivant la réception de l'avis de différend par LG, le différend doit être réglé par arbitrage exécutoire conformément à la procédure établie aux présentes. Vous et LG convenez que, tout au long du processus d'arbitrage, les modalités (y compris les montants) de toute offre de règlement formulée par vous ou par LG ne seront pas divulguées à l'arbitre et resteront confidentielles à moins d'accord contraire entre les deux parties ou que l'arbitre règle le différend.

Entente d'arbitrage exécutoire et renonciation à un recours collectif. Si la réclamation n'a pu être réglée dans les 30 jours suivant la réception de l'avis de différend par LG, vous et LG convenez de ne régler les réclamations vous opposant que par arbitrage exécutoire au cas par cas, à moins que vous vous prévaliez de l'option de retrait évoquée plus haut ou que vous résidiez dans un territoire de compétences qui interdit la pleine application de cette clause dans le cas de réclamations de ce type (dans lequel cas, si vous êtes un consommateur, cette clause ne s'appliquera que si vous acceptez expressément l'arbitrage). Dans la mesure où la loi en vigueur le permet, aucun différend entre vous et LG ne peut être combiné ou regroupé avec un différend faisant intervenir le produit ou la réclamation d'une personne ou entité tierce. Plus précisément et sans limiter la portée de ce qui précède, sauf dans la mesure où une telle interdiction n'est pas autorisée en droit, en aucun cas un différend entre vous et LG ne peut être traité dans le cadre d'un recours collectif. Au lieu de l'arbitrage, les parties peuvent intenter une action individuelle devant une cour des petites créances, mais cette action ne peut pas être intentée dans le cadre d'un recours collectif, sauf dans la mesure où une telle interdiction n'est pas autorisée en droit dans votre province ou territoire de compétences pour une réclamation en cause qui nous oppose.

Règles et procédures d'arbitrage. Pour soumettre une réclamation à un arbitrage, l'une des deux parties, soit vous ou LG, doit déposer une demande écrite à cet effet. L'arbitrage est privé et confidentiel et s'effectue selon une procédure simplifiée et accélérée devant un arbitre unique choisi par les parties conformément aux lois et règlements en vigueur portant sur l'arbitrage commercial de votre province ou territoire de résidence. Vous devez également envoyer une copie de votre demande écrite à LG Electronics Canada Inc., Legal Department - Arbitration, 20 Norelco Drive, North York, Ontario M9L 2X6. La présente disposition sur l'arbitrage est régie par les lois et règlements sur l'arbitrage commercial applicables de votre province ou territoire. La sentence arbitrale peut donner lieu à un jugement de n'importe quel tribunal compétent. Toutes les décisions relèvent de l'arbitre, à l'exception des questions associées à la portée et à l'applicabilité de la disposition sur l'arbitrage et à l'arbitrabilité du différend, qui sont du ressort du tribunal. L'arbitre est tenu de respecter les modalités de la présente disposition.

Droit applicable. Les lois de votre province ou territoire de achat régissent la présente Garantie limitée et tout différend entre nous, sauf dans la mesure où de telles lois sont supplantées par des lois fédérales, provinciales ou territoriales applicables ou sont incompatibles avec ces dernières. Si l'arbitrage n'est pas autorisé pour régler une réclamation, une poursuite, un différend ou un litige nous opposant, nous nous en remettons à la compétence exclusive des tribunaux de votre province ou territoire de achat compétence pour le règlement de la réclamation, de la poursuite, du différend ou du litige nous opposant.

16 LIMITED WARRANTY

Frais et coûts. Aucuns frais ne sont exigibles pour entamer une procédure d'arbitrage. À la réception de votre demande d'arbitrage écrite, LG réglera rapidement la totalité des frais de dépôt de la demande d'arbitrage, sauf si vous réclamez des dommages-intérêts supérieurs à 25 000 \$. Dans ce cas, le paiement de ces frais sera régi par les règles d'arbitrage applicables. Sauf disposition contraire aux présentes, LG paiera tous les frais de dépôt de demande et d'administration ainsi que les honoraires de l'arbitre conformément aux règles d'arbitrage applicables et à la présente disposition sur l'arbitrage. Si vous remportez l'arbitrage, LG réglera vos frais et honoraires juridiques après avoir déterminé s'ils sont raisonnables en se fondant sur des facteurs comme, entre autres, le montant de l'achat et le montant de la réclamation. Si l'arbitre juge que le motif de la réclamation ou les réparations demandées sont futiles ou se fondent sur des motifs déplacés (au regard des lois applicables), le paiement de tous les frais d'arbitrage sera régi par les règles d'arbitrage applicables. Dans un tel cas, vous acceptez de rembourser à LG la totalité des montants versés qu'il vous revient autrement de payer en vertu des règles d'arbitrage applicables. Sauf disposition contraire et si elle remporte l'arbitrage, LG renonce à tous ses droits de vous réclamer des frais et horaires juridiques.

Audience et lieu de l'arbitrage. Si votre réclamation est égale ou inférieure à 25 000 \$, vous pouvez opter pour un arbitrage conduit selon l'une des modalités suivantes uniquement : 1) sur examen des documents remis à l'arbitre, 2) par audience téléphonique ou 3) par audience en personne selon les dispositions des règles d'arbitrage applicables. Si votre réclamation dépasse 25 000 \$, le droit à une audience sera défini par les règles d'arbitrage applicables. Les audiences arbitrales en personne se tiendront à l'endroit le plus proche et le plus pratique pour les deux parties situé dans votre province ou votre territoire de résidence, sauf si nous convenons mutuellement d'un autre lieu ou d'un arbitrage par téléphone.

Dissociabilité et renonciation. Si une partie de la présente Garantie limitée (y compris les présentes procédures d'arbitrage) n'est pas applicable, les dispositions restantes demeurent en vigueur dans la mesure permise par la loi applicable. Le fait de ne pas exiger la stricte exécution d'une disposition de la présente Garantie limitée (y compris les présentes procédures d'arbitrage) ne signifie pas que nous ayons renoncé ni que nous ayons l'intention de renoncer à toute disposition ou partie de la présente Garantie limitée.

Option de retrait. Vous pouvez vous retirer de la présente procédure de règlement de différend. Dans ce cas, ni vous ni LG ne pouvez imposer à l'autre partie de participer à une procédure d'arbitrage. Pour vous prévaloir de l'option de retrait, vous devez envoyer un préavis à LG dans les trente (30) jours civils à compter de la date de l'achat du produit par le premier acheteur i) dans un courriel adressé à optout@lge.com et dont la ligne d'objet porte la mention « Retrait de l'arbitrage » ou ii) en composant le 1-800-980-2973. Que ce soit par courriel ou par téléphone, vous devrez donner a) votre nom et votre adresse; b) la date d'achat du produit; c) le nom ou le numéro de modèle du produit et d) le numéro de série [qu'il est possible de trouver i) sur le produit ou ii) en ligne au https://www.lg.com/ca_fr/soutien/repairation-garantie/demande-reparation, Trouver mes numéros de modèle et de série].

Si vous vous prévalez de l'option de retrait, les lois de votre province ou territoire de résidence régissent la présente Garantie limitée et tout différend entre nous, sauf dans la mesure où de telles lois sont supplantées par des lois fédérales, provinciales ou territoriales applicables ou sont incompatibles avec ces dernières. Si l'arbitrage n'est pas autorisé pour régler une réclamation, une poursuite, un différend ou un litige nous opposant, nous nous en remettons à la compétence exclusive des tribunaux de votre province ou territoire de compétence pour le règlement de la réclamation, de la poursuite, du différend ou du litige nous opposant.

Vous ne pouvez vous prévaloir de l'option de retrait que de la manière décrite plus haut (c'est-à-dire par courriel ou par téléphone). Aucun autre type d'avis ne sera pris en compte pour le retrait de la présente procédure de règlement de différend. Le fait de se retirer de la présente procédure de règlement de différend ne compromet d'aucune façon la protection accordée en vertu de la Garantie limitée, et vous continuerez à jouir de tous les avantages prévus par la Garantie limitée. Si vous conservez ce produit sans vous prévaloir de l'option de retrait, vous acceptez les conditions générales de la disposition sur l'arbitrage énoncée ci-dessus.

Conflit de modalités. En cas de conflit ou d'incompatibilité entre les modalités de la présente garantie limitée et le contrat de licence d'utilisation (CLU) en ce qui concerne le règlement des différends, les modalités de la présente garantie limitée contrôlent et régissent les droits et obligations des parties et ont préséance sur le CLU.

AIDE-MÉMOIRE

FRANÇAIS

AIDE-MÉMOIRE

AIDE-MÉMOIRE

FRANÇAIS



LG Customer Information Center

1-800-243-0000 USA

1-888-542-2623 CANADA

Register your product Online!

www.lg.com

Centre d'informations aux consommateurs LG

1-800-243-0000 États-Unis

1-888-542-2623 CANADA

Enregistrez votre produit en ligne!

www.lg.com