

ELPSC35
ELPSC36

Installation Guide

English

Guide d'installation

Français

Guía de instalación

Español

Manual de instalação

Português



Safety Precautions

For your safety, read all of the instructions in this guide before using this product. Incorrect handling that ignores instructions in this guide could damage this product or could result in personal injury or property damage. Keep this installation guide at hand for future reference.

Safety Indications



The documentation and this product use graphical symbols to show how to use this product safely.

The indications and their meaning are as follows. Make sure you understand them properly before reading the guide.

Symbol	Explanation
 Warning	This symbol indicates information that, if ignored, could possibly result in personal injury or even death due to incorrect handling.
 Caution	This symbol indicates information that, if ignored, could possibly result in personal injury or physical damage due to incorrect handling.

Installation Precautions

Epson accepts no responsibility for any accidents caused by improper installation or natural disasters.

 Warning
The installation work (wall mounting) should only be performed by specialists who have technical knowledge and ability. Incomplete or incorrect installation could cause the product to fall and cause personal injury or property damage. Contact the store where you purchased the product for more information.
Do not install the screen in a place where it might be subjected to vibration or shock. This could cause damage to the mounting surface. If this product falls, it could cause death or personal injury.
Do not install near any heating appliances such as stoves or burners. As the product contains plastic materials, this could cause a fire. * This product is not flame retardant.
Do not install in locations that are not strong enough to support the weight of this product. Otherwise, it could fall and cause an accident or injury. The installation location must be strong enough to support this product for a long time. Check the weight of this product before installation, calculate the acceptable weight, and install it securely. Reinforce the installation location if it is not strong enough.
 "Specifications Table" p.6

 Caution

Do not install this product in the following locations. Installing it in the following locations can impair screen performance.

- Locations that may be exposed to water or rain, such as outdoors, bathrooms/shower rooms, or locations subject to high humidity
- Locations subject to a lot of moisture or dust such as near a kitchen counter or a humidifier, or locations subject to smoke or steam

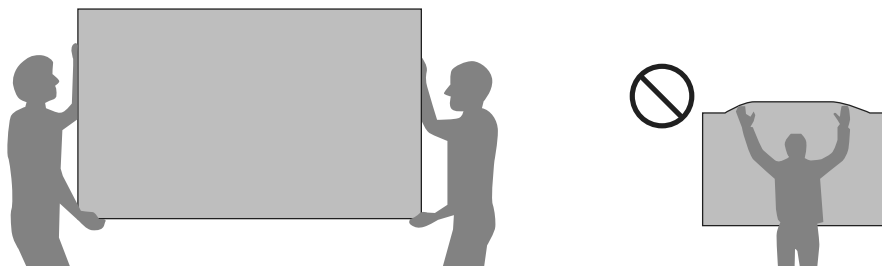
Note the following when installing this product. If it is not installed correctly, it could fall and cause an accident or injury.

- Carefully inspect the structure and material of the installation location, and install it according to the instructions in this guide.
- Installation should be performed by at least two people.
- Do not place it in an unstable location, such as tilted at an angle.
- Be sure to use the bolts and screws specified in this guide.
- Be sure to tighten the screws. Also, be sure not to loosen or remove screws accidentally while installing or removing this product.
- Do not hang on the screen or apply excessive force to the screen during or after installation.
- Do not disassemble or modify this product.

Wear commercially available cotton gloves when handling the screen fabric. Handling the screen directly with bare hands may leave fingerprints or dirt on the screen fabric, which can impair performance.


Keep hard or sharp objects away from the screen fabric. Scratches on the screen fabric can impair performance.

Hold the frame by the left and right edges when moving the screen. Lifting the frame at the center of the screen can cause the frame to bend and become damaged.




Be careful not to trap your fingers when assembling, installing, or storing the screen.

Usage Precautions

 Warning

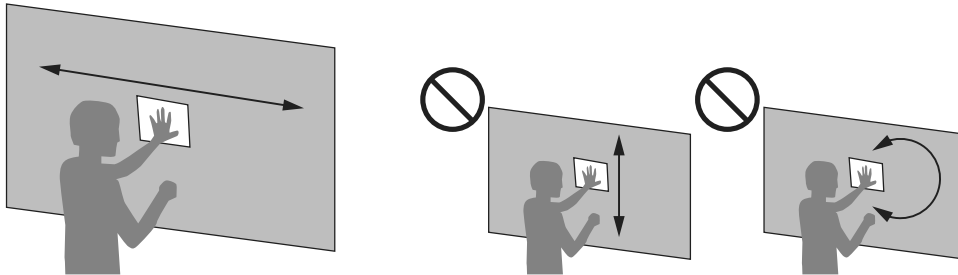
Do not hang on the screen or hang heavy objects on the screen.

If this product falls, it could cause death or personal injury.

 Caution

Note the following points when handling the screen. To project brighter, clearer images, a material has been applied to the surface of the screen fabric to improve the effects of reflection. If the surface of the fabric gets dirty or is scratched, this reflection effect will be degraded.

- Do not touch the screen surface with your bare hands.
- Do not write on the screen surface. You cannot erase accidental writings from the screen.
- When cleaning the screen surface, wipe it with a soft, dry cloth, or brush it with a soft brush.
- When cleaning the screen, be sure to move the cloth or brush left or right. Do not move them up or down or around in circles.



- Do not push the screen surface forcefully, or apply continuous force to the screen.
- Do not wipe the screen surface with a cloth dampened with water, benzene, or thinner.
- Keep hard or sharp objects away from the screen surface.

For families with young children or pets, do not allow them to play around the screen. Otherwise, it could cause injuries due to falling, colliding, trapping fingers, and so on.

Screen Fabric

The screen fabric is dried thoroughly before shipment. You may smell chemicals when you start to use the screen, but this will disappear with use. If you feel that the odor is too strong, open the windows to improve ventilation and let the screen air out for a few days.

If You Think There is a Problem with the Screen

If you think the screen is coming loose or is damaged, stop using it immediately and contact your local dealer.

Disposing of the Screen

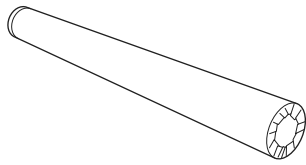
Dispose according to your local laws and regulations. When using this product in a company, dispose of it according to your company's rules.

See the following when separating the materials for disposal.

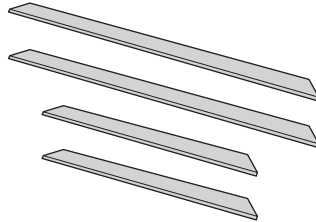
- Screen fabric: Polyurethane, PET
- Frame/Frame edges: Aluminum
- L-brackets/wall brackets: Steel

Package Contents

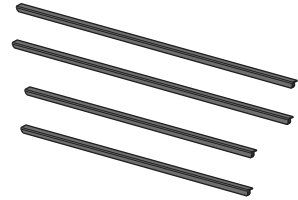
See the following list for items included with this product. In the unlikely event that there is anything missing or damaged, contact the store where you purchased this product.



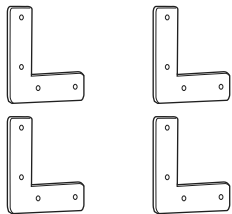
Screen fabric
(Rolled in a cardboard tube.)



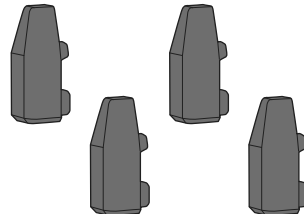
Frames



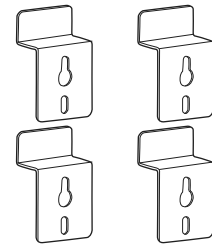
Frame edges



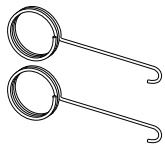
L-brackets



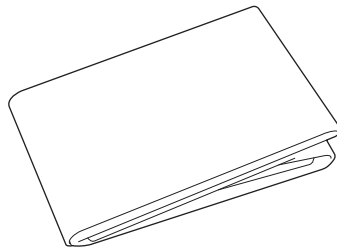
Corner guards



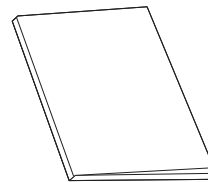
Wall brackets





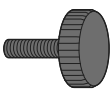
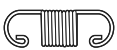
Hooks



Transparent sheet



Installation Guide (this
guide)

Shape	Name	Number	Application
	M5 x 8 mm cross recessed truss screws	16	Secures the frames and the L-brackets.
	M5 x 15 mm cross recessed truss screws	8	Secures the frame edges and the L-brackets.
	Angle adjustment screws	2	Use these to adjust the angle of the screen so that it is straight.
	Springs	100" screen: 94 (6 are spares) 120" screen: 112 (6 are spares)	Place the screen fabric on the frame.

- The customer needs to contact a specialist to determine and obtain the 8 screws needed to attach the wall brackets to the wall. We recommend the following.

M4 x 25 mm cross head wood screws

You may need different types of screws depending on the strength of the wall.

When mounting on a wall that does not support wood screws, prepare an anchor separately.

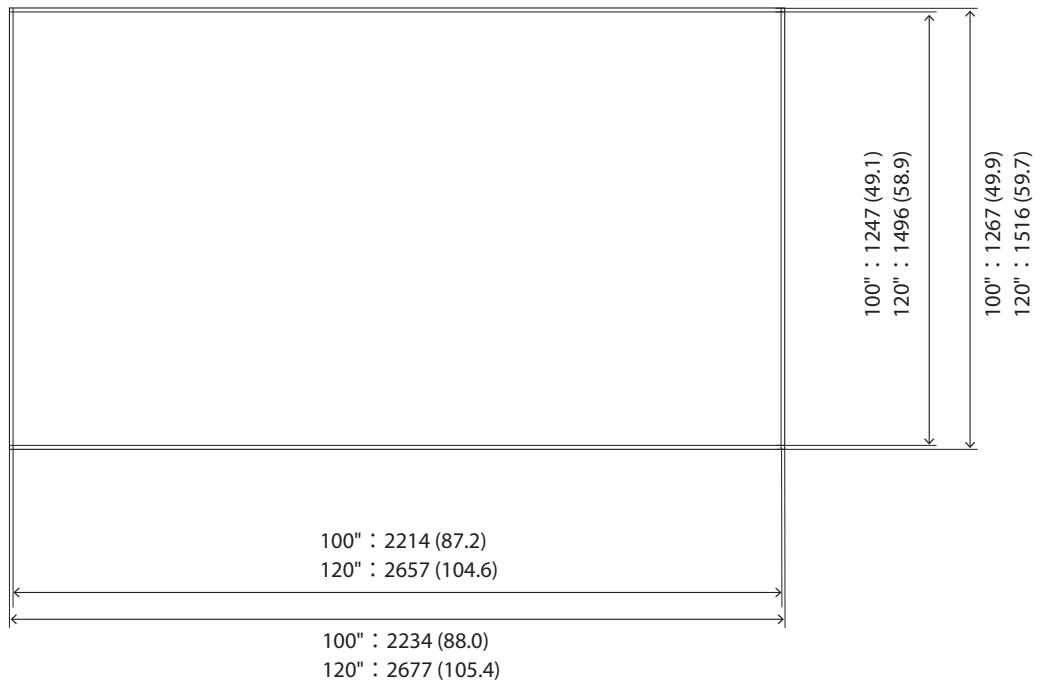
- Prepare the necessary tools.

Specifications Table

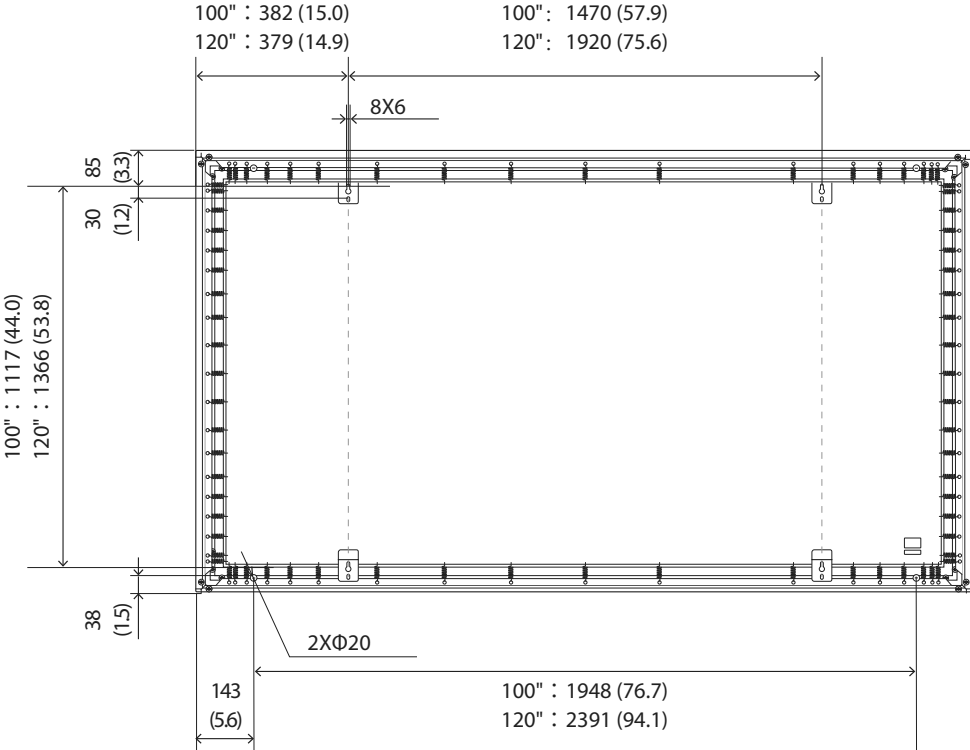
Product Name		Ultra Short Throw Screen ELPSC35	Ultra Short Throw Screen ELPSC36
Screen Size	Type	100"	120"
	Size	W 2214 mm (87.2 in.) x H 1247 mm (49.1 in.)	W 2657 mm (104.6 in.) x H 1496 mm (58.9 in.)
	Aspect Ratio	16:9	
Screen Type		Ultra Short Throw Ambient Light Deflecting Screen	
External dimensions		W 2234mm (88.0 in.) x H 1267mm (49.9 in.) x D 30 mm (1.2 in.)	W 2677mm (105.4 in.) x H 1516mm (59.7 in.) x D 30 mm (1.2 in.)
Mass		Approx. 11 kg (24.3 lb)	Approx. 13 kg (28.7 lb)
Operating temperature range		0°C (+32°F) to +35°C (+95 °F) (Humidity 20% to 80%, no condensation)	
Storage temperature range		-10°C (+14°F) to +60°C (+140 °F) (Humidity 10% to 90%, no condensation)	

Unit: mm (in.)

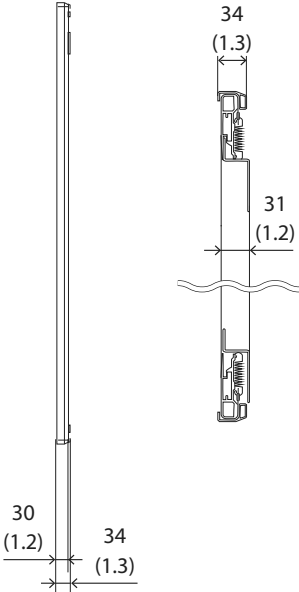
Front



Back



Side/Cross Section



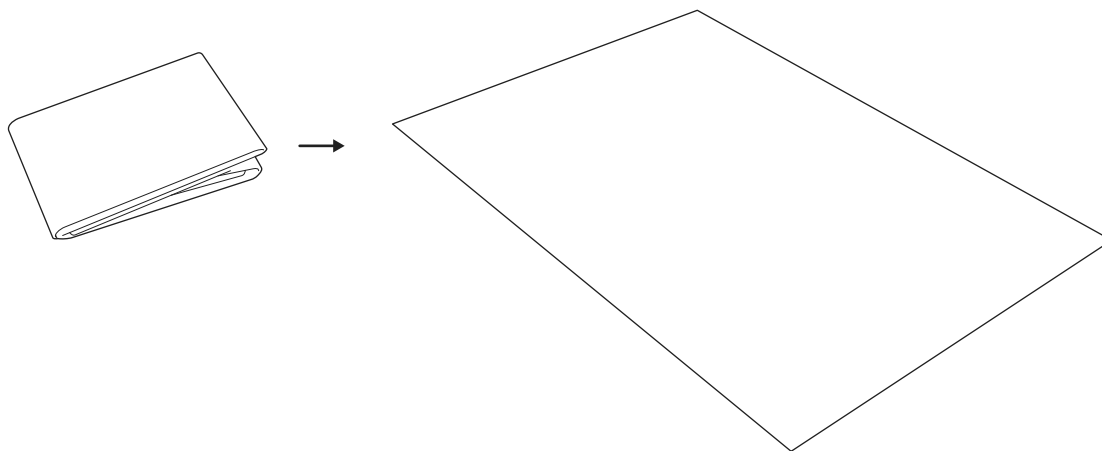
The distance from the wall to the surface of the screen is approximately 31 mm/1.2 in.

Assembling the Screen

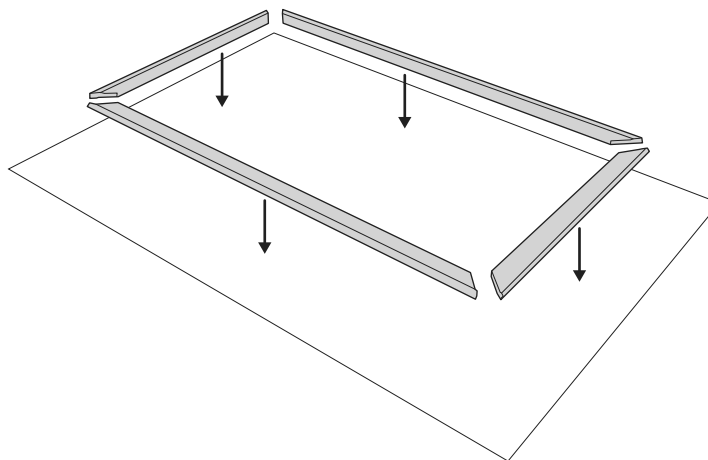
Assembling


Assembling the frames

- 1 Spread out the included transparent sheet on the floor
Make sure there are no objects on the floor, and spread out the sheet on a flat surface.



- 2 Place the frame on the transparent sheet
Place the frames with the sides with the screw holes facing up.



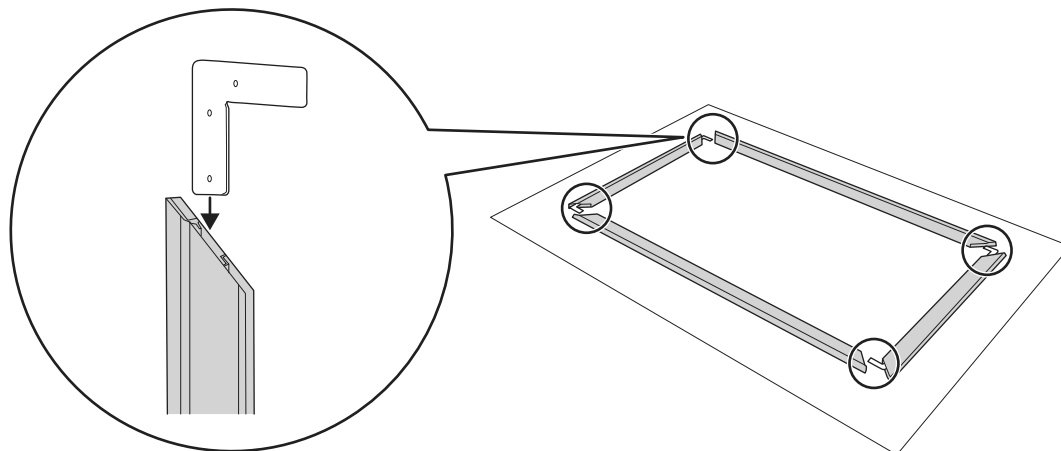
 **Caution**

The frame pieces have sharp edges.
Be careful not to cut your fingers or hands.

3

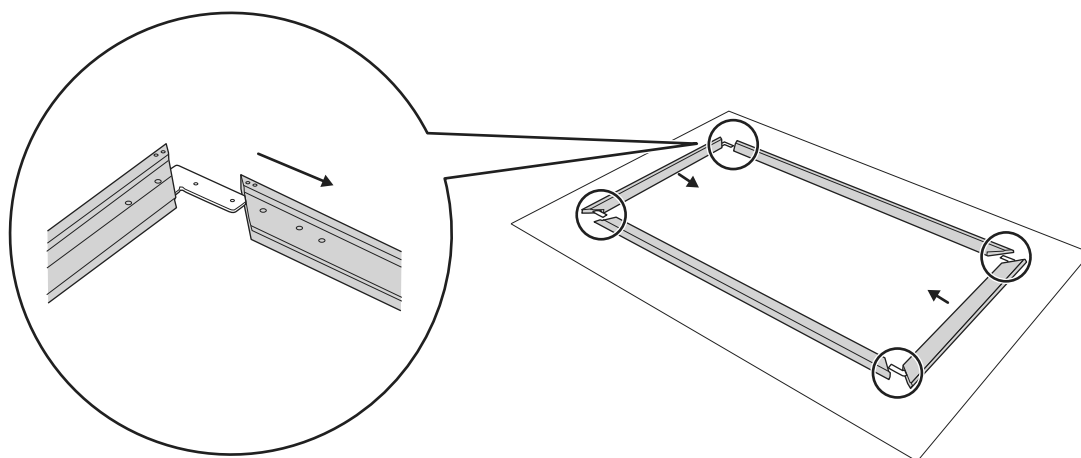
Insert the L-brackets into the frames

Insert the L-brackets into both of the short sides of the frames. (Four points)



4

Connect the parts of the frames

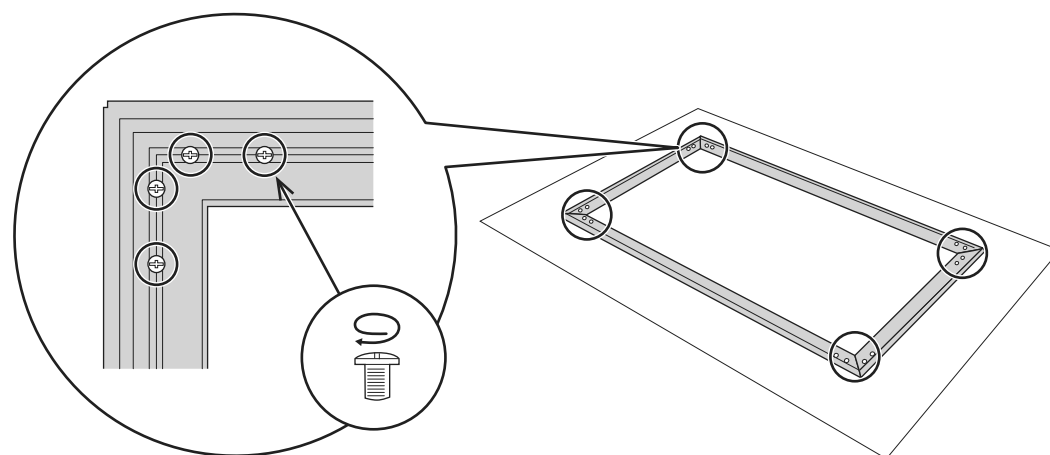


5

Secure the frames and the L-brackets

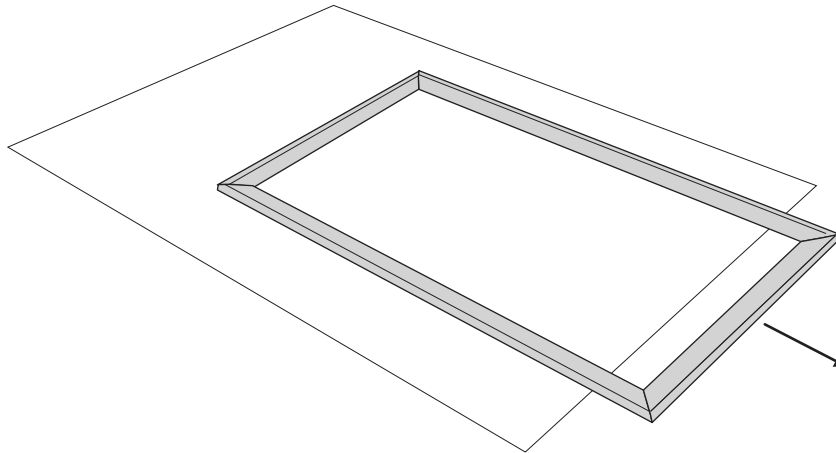
Secure with the M5 x 8 mm screws supplied. (Four points x 4)

Do not tighten the screws completely from the start. Make sure that there are no gaps between the frames, and then tighten the screws securely.



6 Move the frame

Move the frame from the transparent sheet leaving the sheet empty.



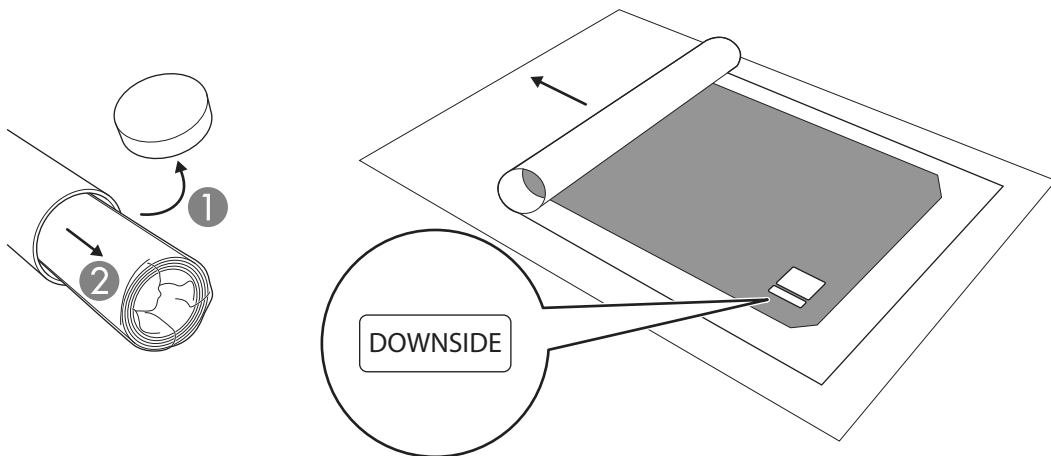
You can easily determine the position for the brackets by placing the frame on the wall before the screen fabric is attached.

☛ "Attach the screen to the wall" p.14

Placing the screen fabric on the frame

1 Spread out the screen fabric on the transparent sheet

Wear cotton gloves (not included) and roll out the screen fabric so that the paper that the screen is wrapped in is under the screen. Be careful not to step on or sit on the screen fabric.

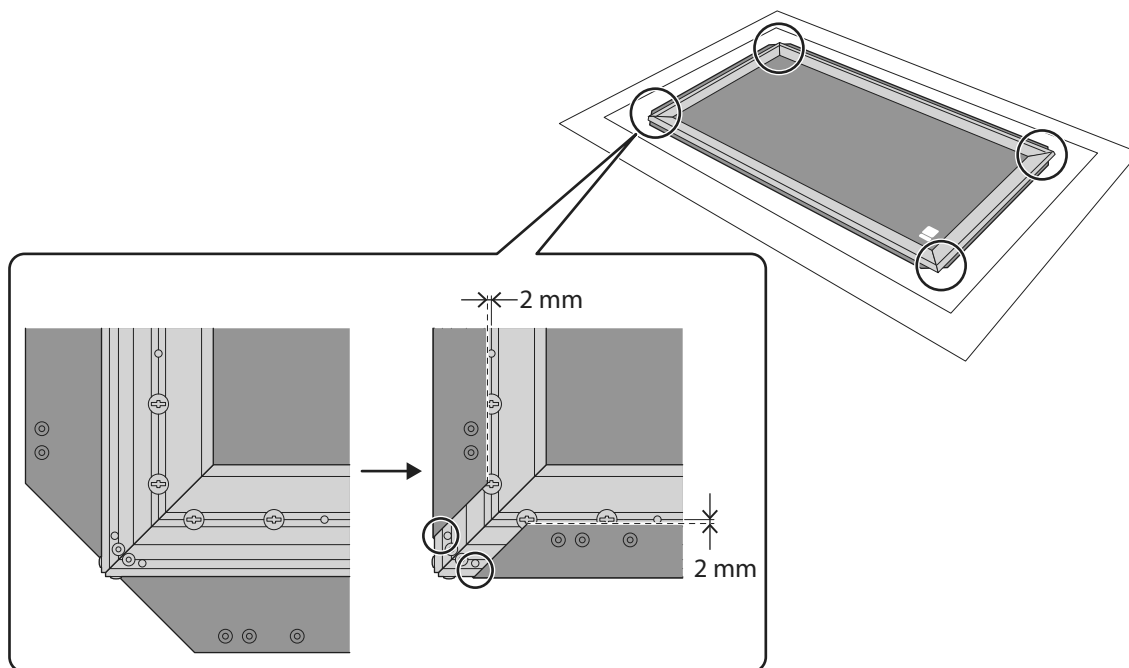


2

Place the frame on the screen fabric

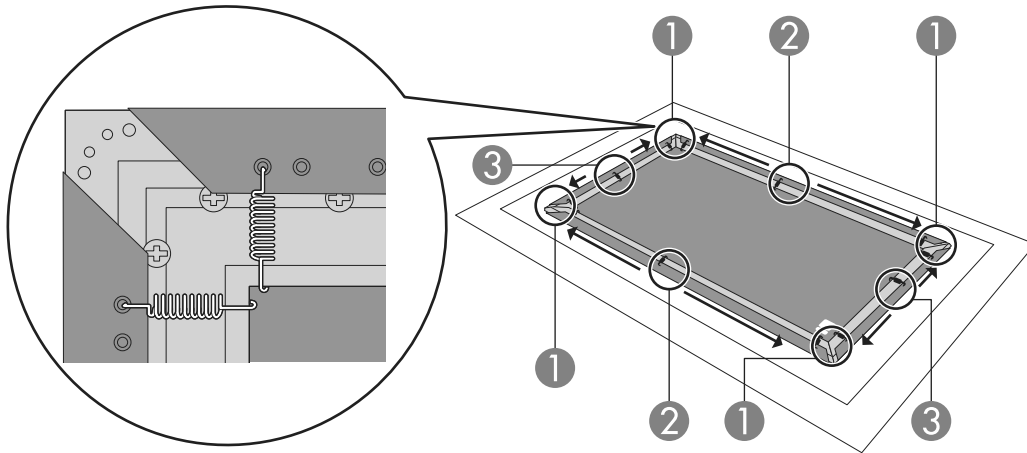
Place the frame so that it is in the center of the screen fabric with the side with the screw holes facing up. Carefully fold the screen fabric over the frame and check the following two points to adjust the frame position.

- The edges of the screen fabric at the four corners align with the dotted lines in the figure.
- The screw holes (two points) at the four corners are not covered by the screen fabric.

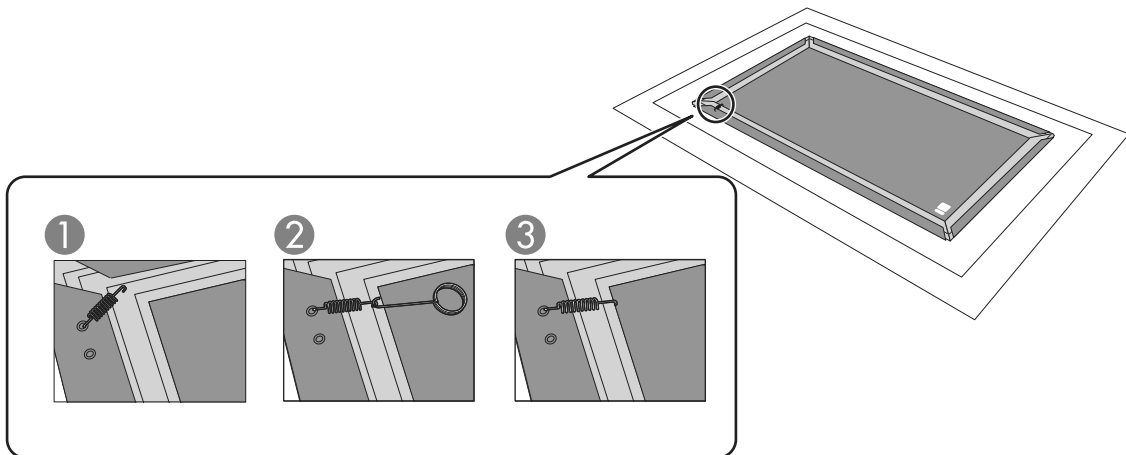


3 Attach the screen fabric to the frame with springs

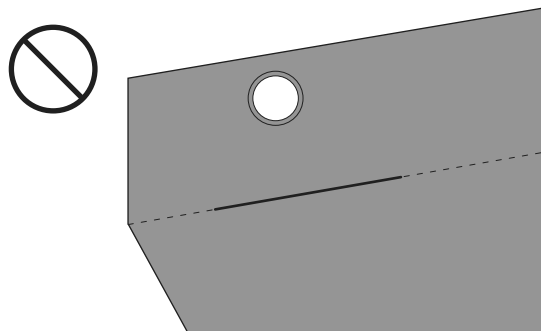
Attach in the following order: the four corners first, then the center of the long sides, and finally the center of the short sides. Attach the rest from the centers to the outsides.



Using one of the included hooks, hook one end of the spring to the screen fabric, and the other end to the inside of the frame. Firmly hold the frame so that the frame does not move when hooking the springs. If the frame is out of position, go back to step 2 and adjust the frame position.



Be careful not to bend or crease the screen fabric while hooking the springs.



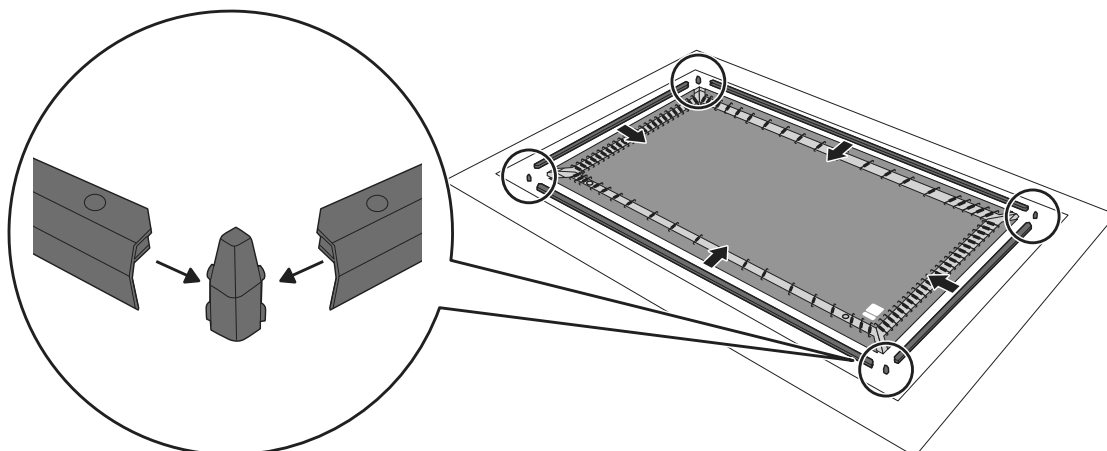
⚠ Caution

Make sure you attach the springs using the hooks. If you attach the springs with your bare hands, your fingers may get caught in the springs causing an injury.

4

Attach the frame edges and corner guards to the frame

Attach the frame edges with the frame raised slightly and the side with the screw holes facing up.

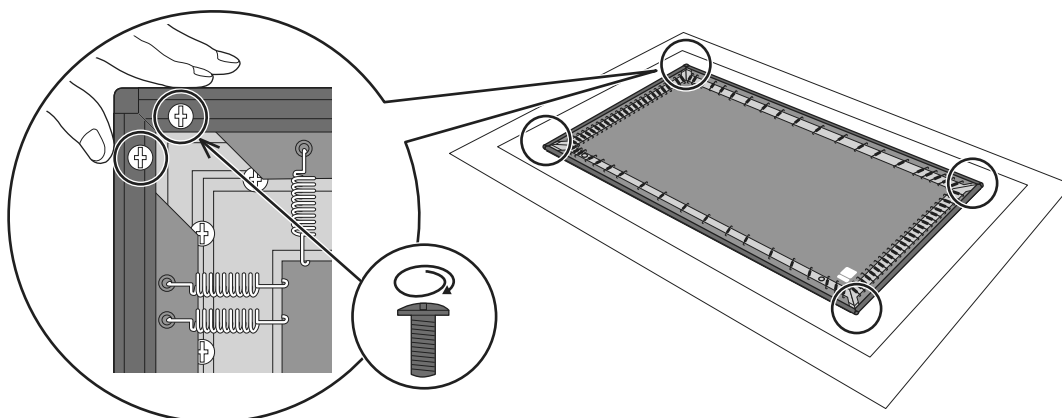


5

Secure the frame edges and the L-brackets

Secure with the M5 x 15 mm screws supplied. (Two points x 4)

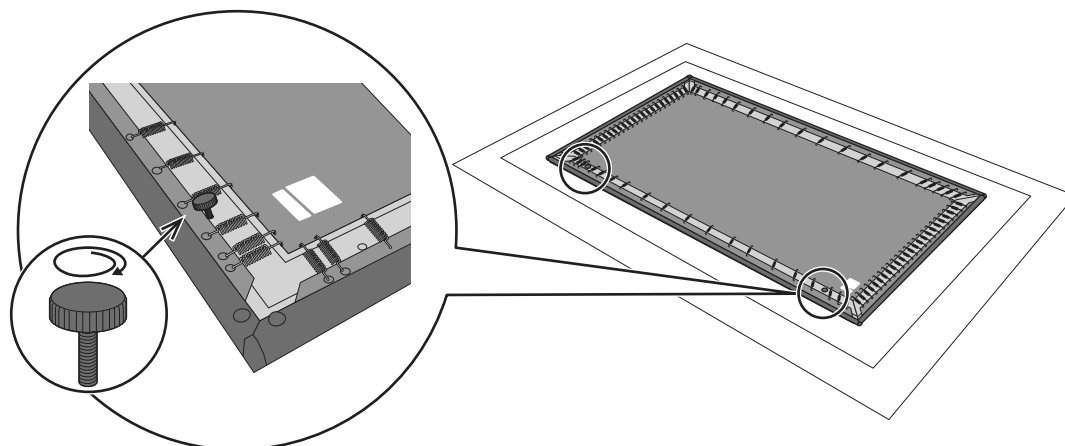
Tighten the screws while holding the frames firmly so that the corner guards do not move.



6

Install the angle adjustment screws

Attach to the screw holes at the bottom of the frame (the edge labeled "DOWNSIDE"). (Two points)



■ Attach the screen to the wall

See the *User's Guide* supplied with your projector to check the screen size and projection distance when deciding where to install the screen.

1 Determine the position for the brackets

See the dimensions figure in the "Specifications Table".

☛ "Specifications Table" p.6

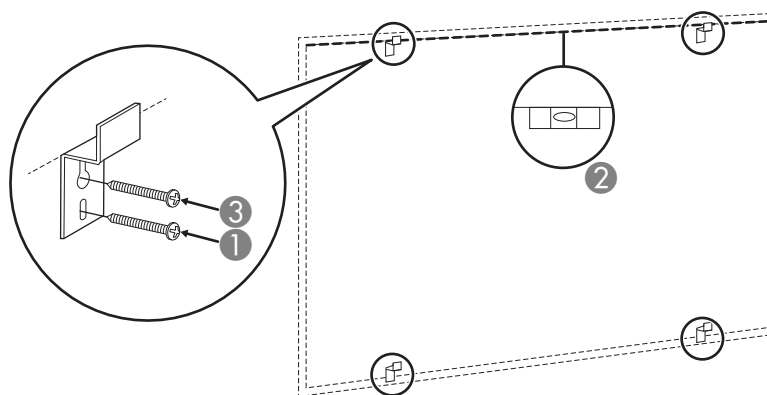
Install the brackets so that they do not come into contact with the springs on the back of the screen.

2 Attach the brackets to the wall

Use a level to check that the brackets are aligned horizontally, and then secure the brackets to the wall with commercially available screws. (Two points x 4)

When using a wall that does not support screws, install a commercially available anchor.

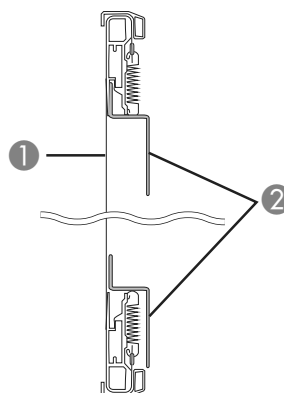
The customer needs to contact a specialist to determine and obtain the necessary screws or anchors in advance. ☛ p.4



The top two brackets hold up the screen.

The bottom two brackets offer additional support to prevent the screen from falling after installation.

* Cross section image



① Screen surface

② Wall brackets

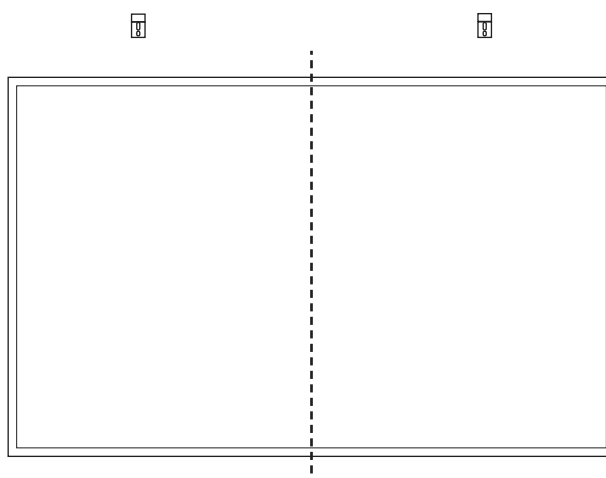
3

Move the screen

Check the top and bottom of the screen first. Make sure the edge labeled "DOWNSIDE" is at the bottom back. Move the screen and place the back against the wall. Always hold the frame by the left and right edges when moving the screen.



Adjust the position so that the center point between the left and right brackets is at the center of the screen.



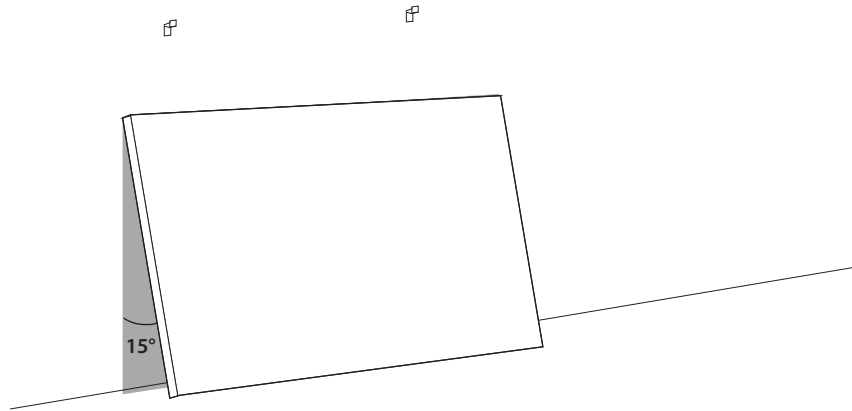
Caution

If the screen is upside down, the image quality will be poor.

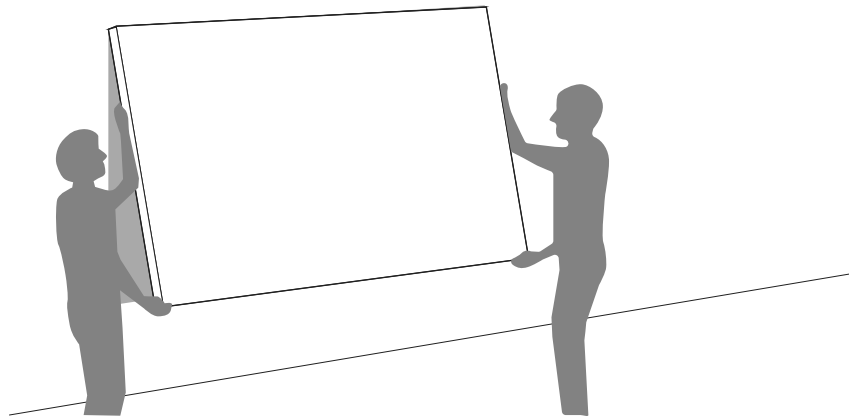
4

Attach the screen to the brackets

Tilt the screen approximately 15° while leaning it against the wall.

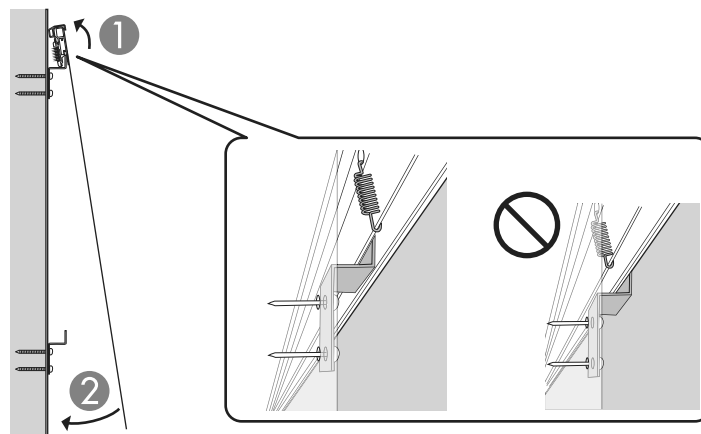


Lift the screen while maintaining this angle.



Hook the brackets into the groove at the top of the screen as you lower the screen over the brackets.

* Side view of the screen



Make sure that the brackets are securely in the groove on the screen and that the brackets do not come in contact with the springs on the back of the screen, and then lower the bottom edge of the screen against the wall.

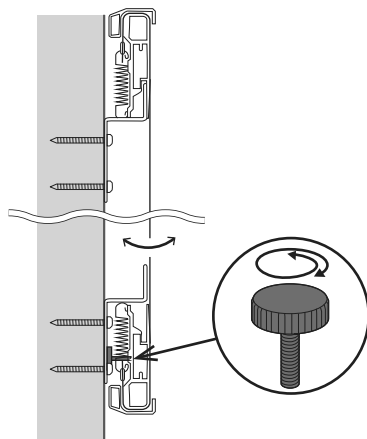


If shadows of the brackets appear on the screen when projecting images, the screen may not be correctly placed on the brackets. Remove the screen and then try again.

5

Finally, adjust the angle of the screen

Turn the angle adjustment screws to the left and right until the screen is straight when viewed from the side.



If the projected image is distorted into a keystone shape, you may be able to correct the distortion by adjusting the angle of the screen using the angle adjustment screws.

© 2020 Seiko Epson Corporation

ELPSC35 ELPSC36

Guide d'installation



Précautions de sécurité

Pour votre sécurité, veuillez lire toutes les consignes contenues dans ce guide avant d'utiliser ce produit. Une manipulation incorrecte ne respectant pas ces consignes pourrait endommager ce produit ou provoquer des blessures corporelles ou des dommages matériels. Conservez ce guide d'installation à portée de main pour pouvoir vous y reporter ultérieurement.

Indications de sécurité

La documentation et ce produit utilisent des symboles graphiques pour présenter l'utilisation sûre de ce produit.

Les indications et leur signification sont les suivantes. Assurez-vous de bien les comprendre avant de lire le guide.

Symbole	Explication
 Avertissement	Ce symbole signale des informations qui, si elles sont ignorées, peuvent provoquer des blessures, voire la mort, en raison d'une manipulation incorrecte.
 Attention	Ce symbole indique des informations qui, si elles sont ignorées, peuvent provoquer des blessures ou des dommages physiques, en raison d'une manipulation incorrecte.

Précautions d'installation

Epson décline toute responsabilité en cas d'accidents causés par une installation incorrecte ou des catastrophes naturelles.

Avertissement

Les travaux d'installation (fixation murale) doivent uniquement être effectués par des spécialistes disposant des compétences techniques et du savoir-faire appropriés. Une installation incomplète ou incorrecte pourrait entraîner la chute de produit et provoquer des blessures ou des dommages matériels. Contactez le magasin où vous avez acheté le produit pour plus d'informations.

N'installez pas l'écran dans un endroit où il peut être soumis à des vibrations ou des chocs.


Cela pourrait endommager la surface de montage. Si ce produit tombe, il pourrait causer la mort ou des blessures personnelles.

Ne l'installez pas à proximité d'appareils de chauffage tels que des poêles ou des brûleurs. Vu que le produit contient des matières plastiques, il peut causer un incendie.

* Ce produit n'est pas ignifuge.

Ne l'installez pas dans des emplacements qui ne sont pas suffisamment résistants pour supporter le poids de ce produit. Dans le cas contraire, il pourrait tomber et causer un accident ou des blessures. L'emplacement d'installation doit être suffisamment résistant pour supporter ce produit pendant une longue durée. Vérifiez le poids de ce produit avant l'installation, calculez le poids acceptable et installez-le en toute sécurité. Renforcez l'emplacement d'installation s'il n'est pas suffisamment résistant.

 "Tableau des spécifications" p.6

 Attention

N'installez pas ce produit dans les emplacements suivants. L'installer dans les lieux suivants peut nuire aux performances de l'écran.

- Lieux pouvant être exposés à l'eau ou à la pluie, tels que l'extérieur, les salles de bain/de douche ou les lieux soumis à une humidité élevée
- Lieux soumis à un niveau élevé d'humidité ou de poussière, comme à proximité d'un plan de travail de cuisine ou d'un humidificateur, ou lieux soumis à de la fumée ou de la vapeur

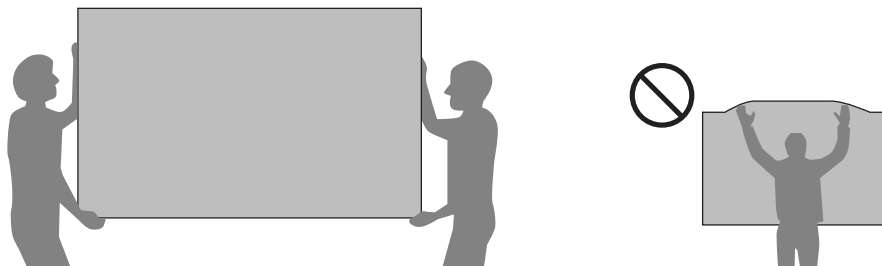
Veuillez noter ce qui suit lors de l'installation de ce produit. S'il n'est pas installé correctement, il peut tomber et causer un accident ou des blessures.

- Inspectez attentivement la structure et les matériaux de l'emplacement d'installation et installez-le conformément aux instructions de ce guide.
- L'installation doit être effectuée par au moins deux personnes.
- Ne le placez pas dans un emplacement instable, comme incliné selon un angle.
- Assurez-vous d'utiliser les boulons et les vis spécifiés dans ce guide.
- Assurez-vous de serrer les vis. Assurez-vous également de ne pas desserrer ni retirer des vis accidentellement en installant ou en retirant ce produit.
- Ne vous suspendez pas à l'écran et n'appliquez pas une force excessive sur l'écran pendant ou après l'installation.
- Ne démontez et ne modifiez pas ce produit.

Portez des gants en coton disponibles dans le commerce lorsque vous manipulez la toile d'écran. Manipuler l'écran directement à mains nues peut laisser des traces de doigts ou de la saleté sur la toile d'écran, ce qui peut nuire aux performances.

Maintenez les objets durs ou pointus à l'écart de la toile d'écran. Des rayures sur la toile d'écran peuvent nuire aux performances.

Tenez le cadre par les bords gauche et droit lorsque vous déplacez l'écran. Soulever le cadre au centre de l'écran peut causer une flexion du cadre et l'endommager.

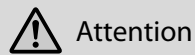


Faites attention à ne pas coincer vos doigts lors de l'assemblage, de l'installation ou du rangement de l'écran.

Précautions d'utilisation

 Avertissement

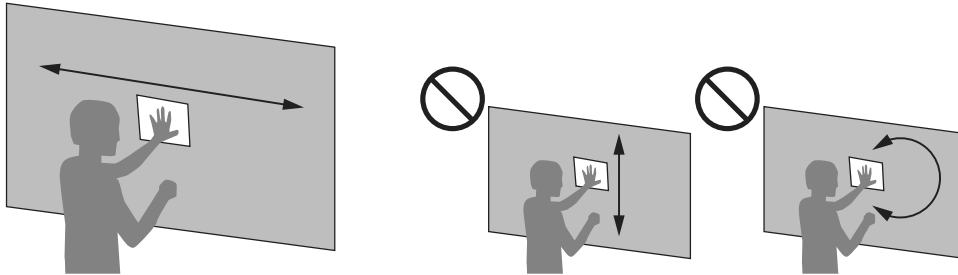
Ne vous suspendez pas à l'écran et n'accrochez pas d'objets lourds sur l'écran.
Si ce produit tombe, il pourrait causer la mort ou des blessures personnelles.



Attention

Veillez noter les points suivants lors de la manipulation de l'écran. Pour projeter des images plus lumineuses et plus claires, une matière a été appliquée sur la surface de la toile d'écran afin d'améliorer l'effet de réflexion. Si la surface de la toile est sale ou rayée, cet effet de réflexion sera dégradé.

- Ne touchez pas la surface de l'écran à mains nues.
- N'écrivez pas sur la surface de l'écran. Vous ne pouvez pas effacer des inscriptions accidentelles sur l'écran.
- Lorsque vous nettoyez la surface de l'écran, essuyez-la avec un chiffon doux et sec ou brossez-la avec une brosse douce.
- Lorsque vous nettoyez l'écran, assurez-vous de déplacer le chiffon ou la brosse vers la gauche ou la droite. Ne les déplacez pas vers le haut, le bas ou en faisant des mouvements circulaires.



- Ne poussez pas fortement la surface de l'écran et n'appliquez pas une force continue sur l'écran.
- N'essuyez pas la surface de l'écran avec un chiffon imbibé d'eau, de benzène ou de diluant.
- Maintenez les objets durs ou pointus à l'écart de la surface de l'écran.

Pour les familles avec de jeunes enfants ou des animaux, ne les laissez pas jouer à proximité de l'écran. Dans le cas contraire, des blessures peuvent être causées par une chute, une collision, un coincement de doigts, etc.

Toile d'écran

La toile d'écran est soigneusement séchée avant l'expédition. Vous sentirez peut-être une odeur de produits chimiques lorsque vous commencerez à utiliser l'écran, mais elle disparaîtra avec l'utilisation. Si vous pensez que l'odeur est trop forte, ouvrez les fenêtres pour améliorer la ventilation et laissez l'écran s'aérer pendant quelques jours.

Si vous pensez que l'écran présente un problème

Si vous pensez que l'écran est desserré ou endommagé, arrêtez immédiatement de l'utiliser et contactez votre revendeur local.

Mise au rebut de l'écran

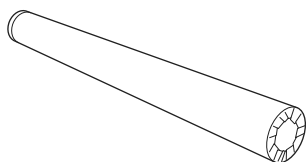
Mettez au rebut conformément à vos lois et réglementations locales. Si vous utilisez ce produit dans une entreprise, mettez-le au rebut conformément au règlement de votre entreprise.

Consultez ce qui suit si vous séparez les matériaux pour la mise au rebut.

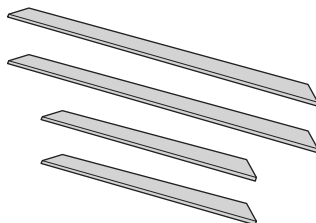
- Toile d'écran : Polyuréthane, PET
- Cadre/Bords du cadre : Aluminium
- Support en forme de L/supports muraux : Acier

Contenu de l'emballage

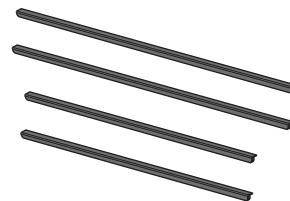
Consultez la liste suivante pour connaître les éléments inclus avec ce produit. Dans le cas improbable où un élément est manquant ou endommagé, contactez le magasin où vous avez acheté ce produit.



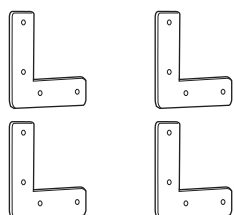
Toile d'écran
(Enroulée dans un tube en carton.)



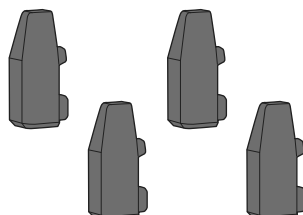
Cadres



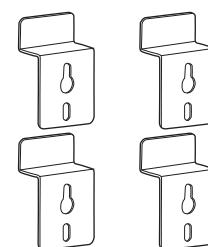
Bords du cadre



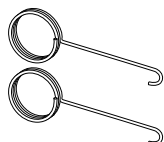
Supports en forme de L



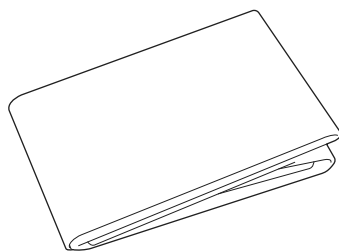
Protections d'angle



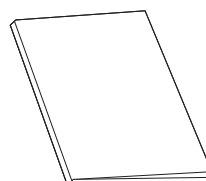
Supports muraux





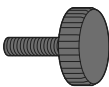
Crochets




Feuille transparente



Guide d'installation (ce guide)

Forme	Nom	Numéro	Application
	Vis à tête bombée cruciforme M5 x 8 mm	16	Fixe les cadres et les supports en forme de L.
	Vis à tête bombée cruciforme M5 x 15 mm	8	Fixe les bords du cadre et les supports en forme de L.
	Vis de réglage d'angle	2	Utilisez-les pour ajuster l'angle de l'écran afin qu'il soit droit.

Forme	Nom	Numéro	Application
	Ressorts	Écran 100" : 94 (6 sont des pièces de rechange) Écran 120" : 112 (6 sont des pièces de rechange)	Placez la toile d'écran sur le cadre.

- Le client doit contacter un spécialiste pour déterminer et obtenir les 8 vis nécessaires pour fixer les supports muraux au mur. Nous conseillons ce qui suit.

Vis à bois à tête cruciforme M4 x 25 mm

Vous aurez peut-être besoin de différents types de vis en fonction de la résistance du mur.

En cas de montage sur un mur qui n'est pas adapté aux vis à bois, préparez une cheville séparément.

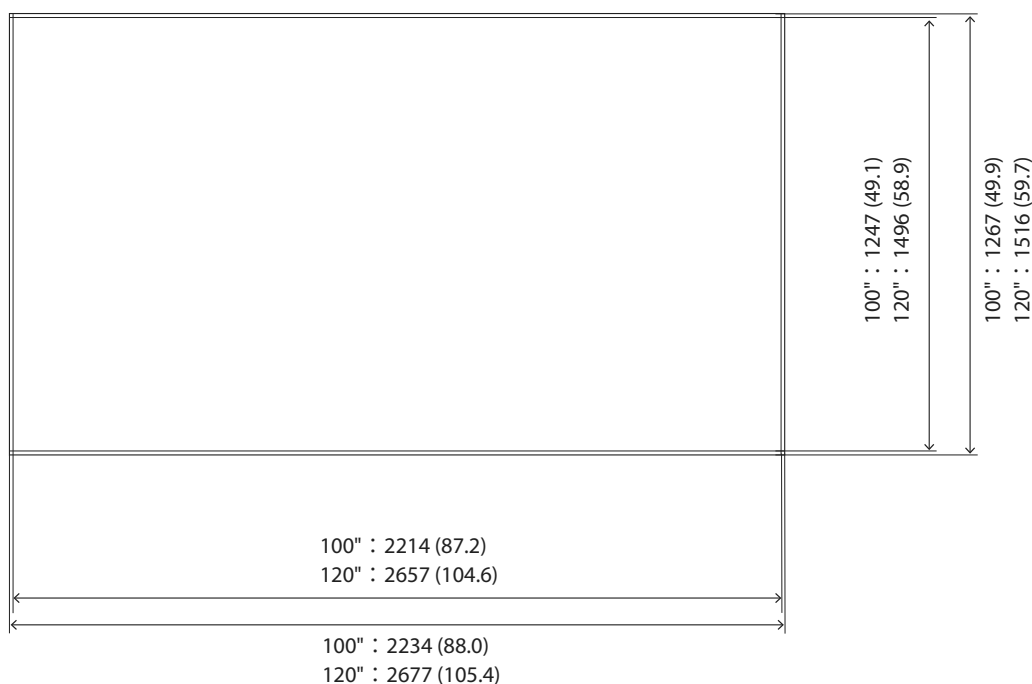
- Préparez les outils nécessaires.

Tableau des spécifications

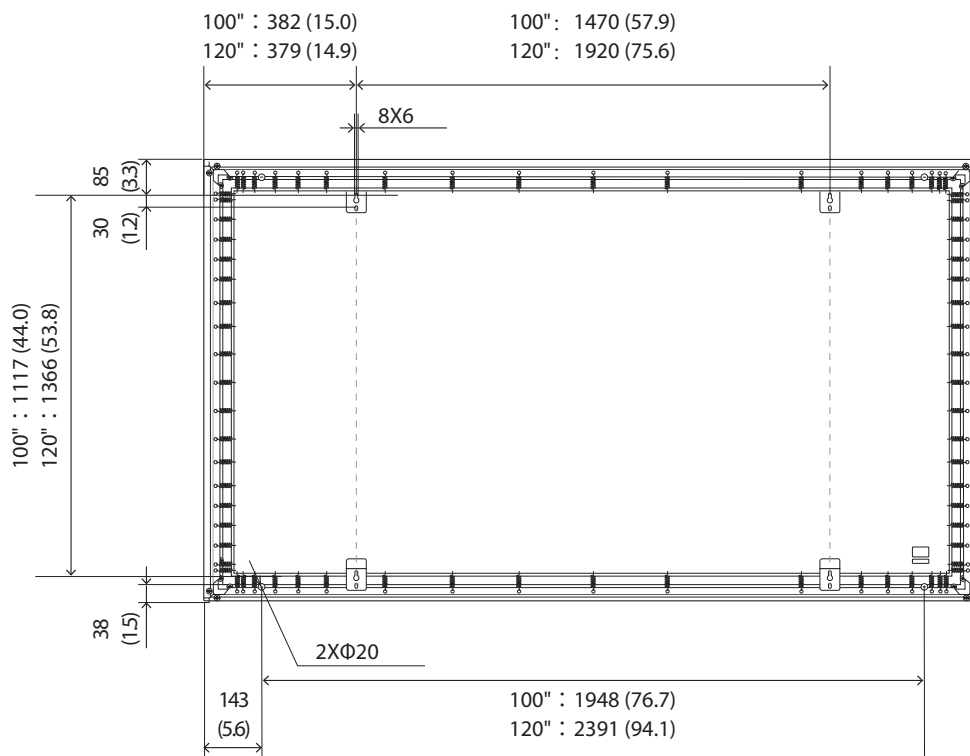
Nom du produit		Ultra Short Throw Screen ELPSC35	Ultra Short Throw Screen ELPSC36
Taille de l'écran	Type	100"	120"
	Dimensions	l 2214 mm (87,2 po.) x H 1247 mm (49,1 po.)	l 2657 mm (104,6 po.) x H 1496 mm (58,9 po.)
	Rapport L/H	16:9	
Format d'écran		Écran ultra courte portée à déflexion de la lumière ambiante	
Dimensions externes		l 2234 mm (88,0 po.) x H 1267 mm (49,9 po.) x P 30 mm (1,2 po.)	l 2677 mm (105,4 po.) x H 1516 mm (59,7 po.) x P 30 mm (1,2 po.)
Poids		Environ 11 kg (24,3 lb)	Environ 13 kg (28,7 lb)
Plage de température de fonctionnement		0 °C (+32 °F) à +35 °C (+95 °F) (Humidité 20 % à 80 %, sans condensation)	
Plage de température de stockage		-10 °C (+14 °F) à +60 °C (+140 °F) (Humidité 10 % à 90 %, sans condensation)	

Unité : mm (po.)

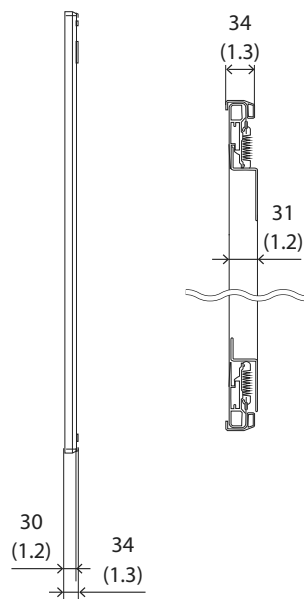
Avant



Arrière



Section latérale/transversale



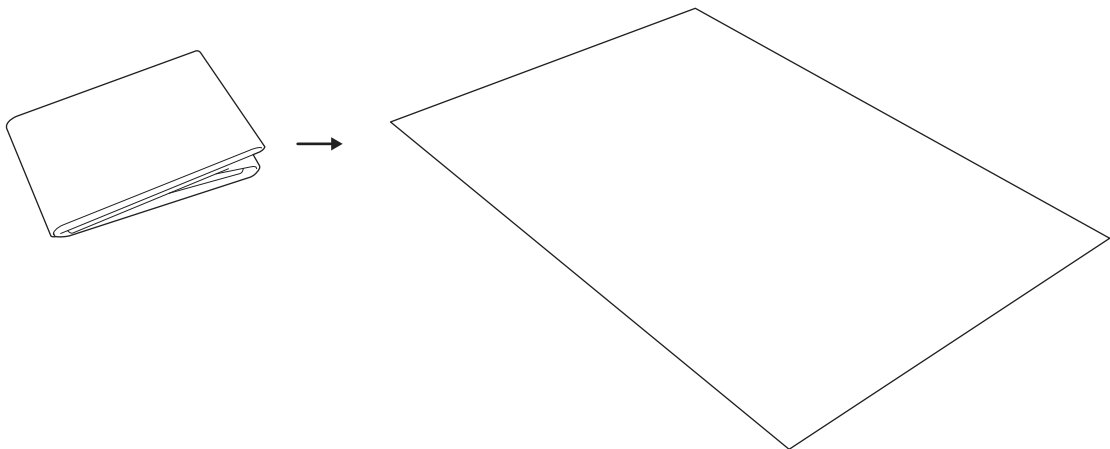
La distance entre le mur et la surface de l'écran est d'environ 31 mm/1,2 po.

Assemblage de l'écran

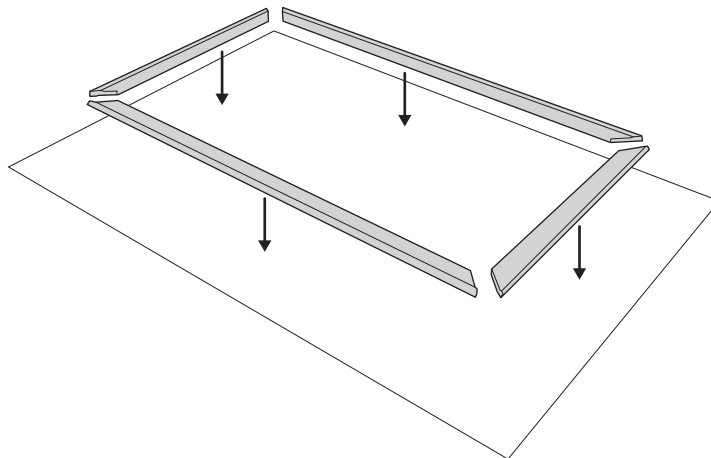
Assemblage

Assemblage des cadres

- 1 Étendez la feuille transparente incluse au sol
Assurez-vous qu'aucun objet n'est présent sur le sol et étendez la feuille sur une surface plane.



- 2 Placez le cadre sur la feuille transparente
Placez les cadres avec les côtés des trous de vis orientés vers le haut.



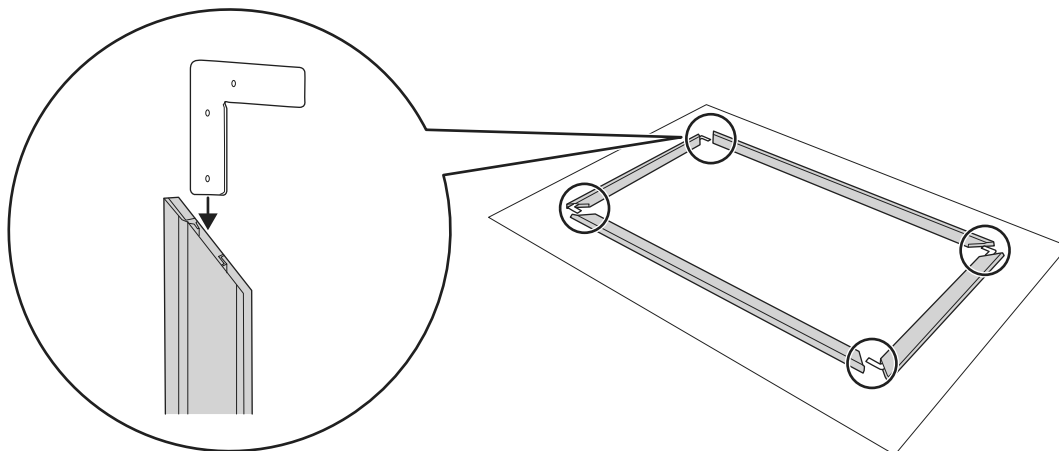
Attention

Les éléments du cadre ont des bords tranchants.
Faites attention à ne pas vous couper les doigts ou les mains.

3

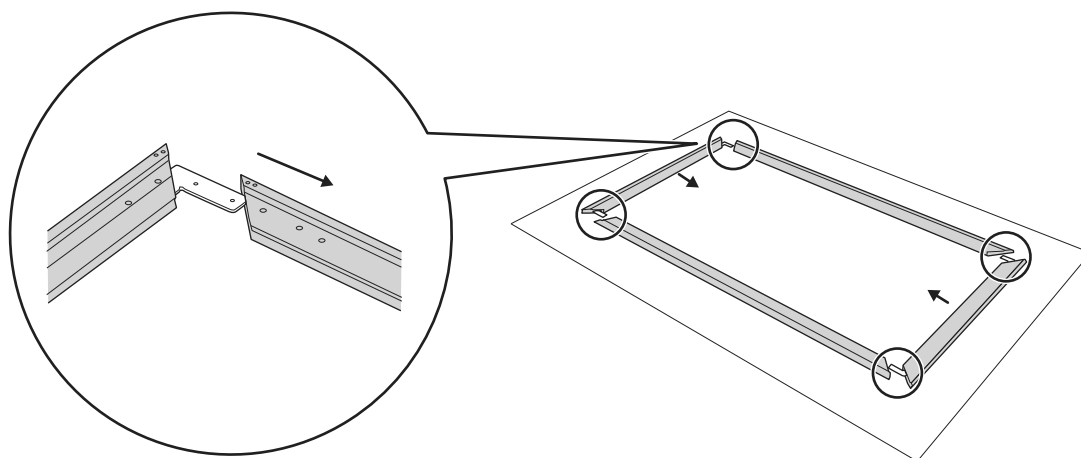
Insérez les supports en forme de L dans les cadres

Insérez les supports en forme de L dans les deux côtés courts des cadres. (Quatre points)



4

Raccordez les éléments des cadres

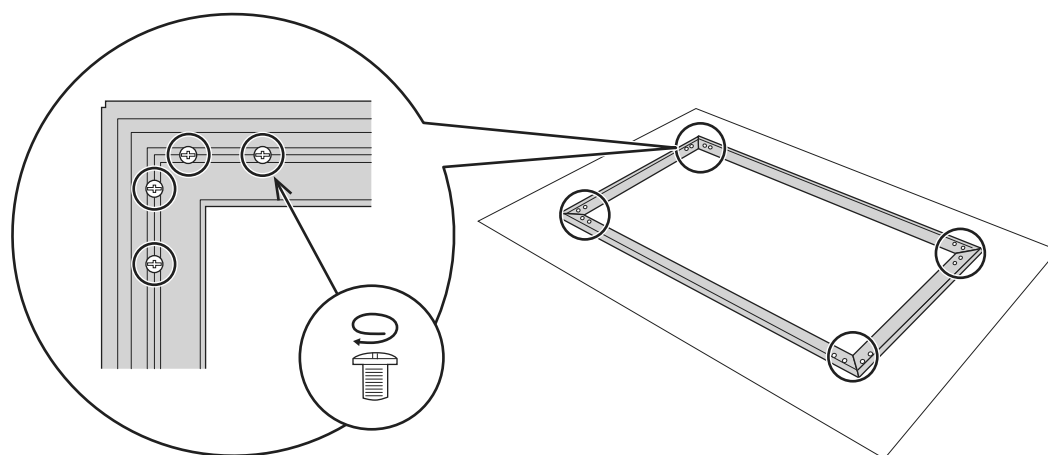


5

Fixez les cadres et les supports en forme de L

Fixez avec les vis M5 x 8 mm fournies. (Quatre points x 4)

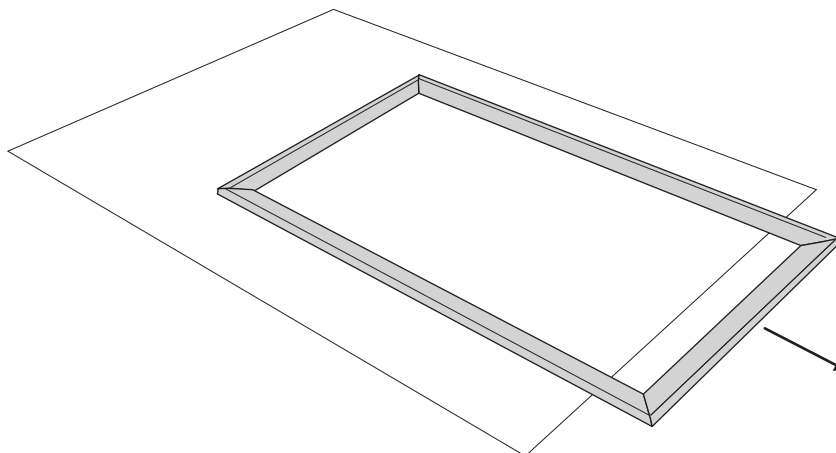
Ne serrez pas complètement les vis dès le début. Assurez-vous qu'aucun espace n'est présent entre les cadres, puis serrez bien les vis.



6

Déplacez le cadre

Retirez le cadre de la feuille transparente en laissant la feuille vide.



Vous pouvez facilement déterminer la position des supports en plaçant le cadre sur le mur avant de fixer la toile d'écran.

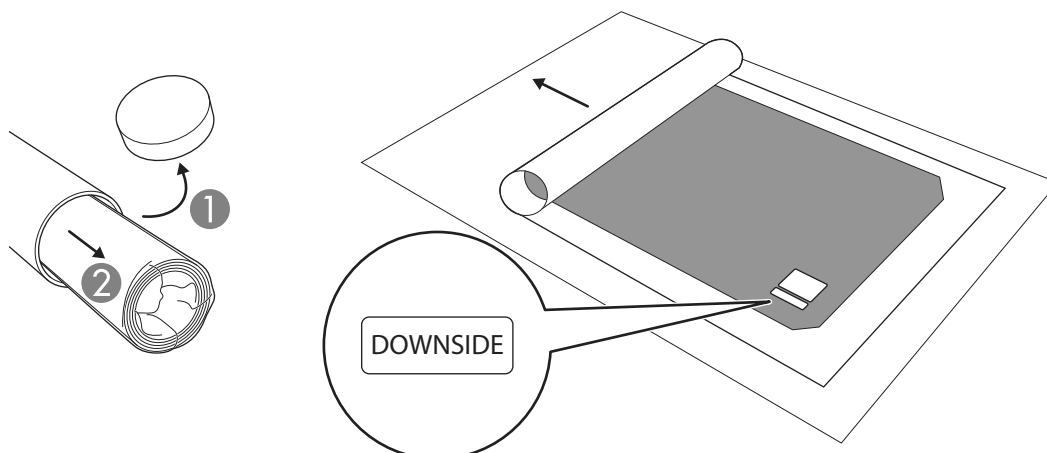
☛ "Fixez l'écran au mur" p.14

Placer la toile d'écran sur le cadre

1

Étendez la toile d'écran sur la feuille transparente

Portez des gants en coton (non inclus) et déroulez la toile d'écran afin que le papier dans lequel l'écran est enveloppé soit sous l'écran. Faites attention à ne pas marcher ou vous asseoir sur la toile d'écran.

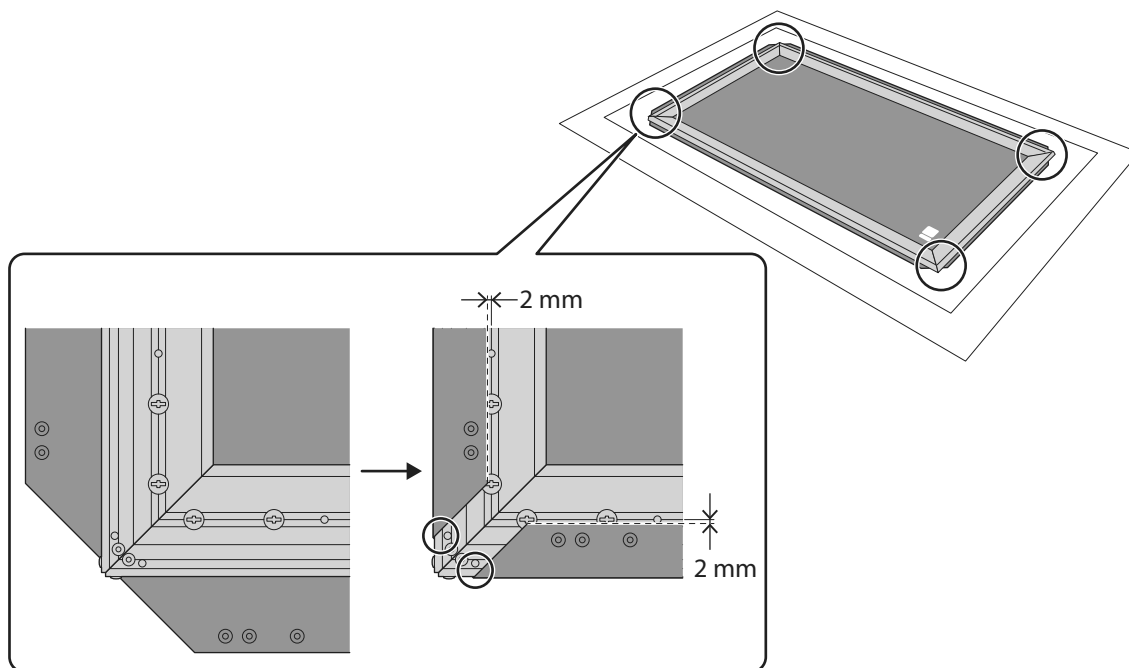


2

Placez le cadre sur la toile d'écran

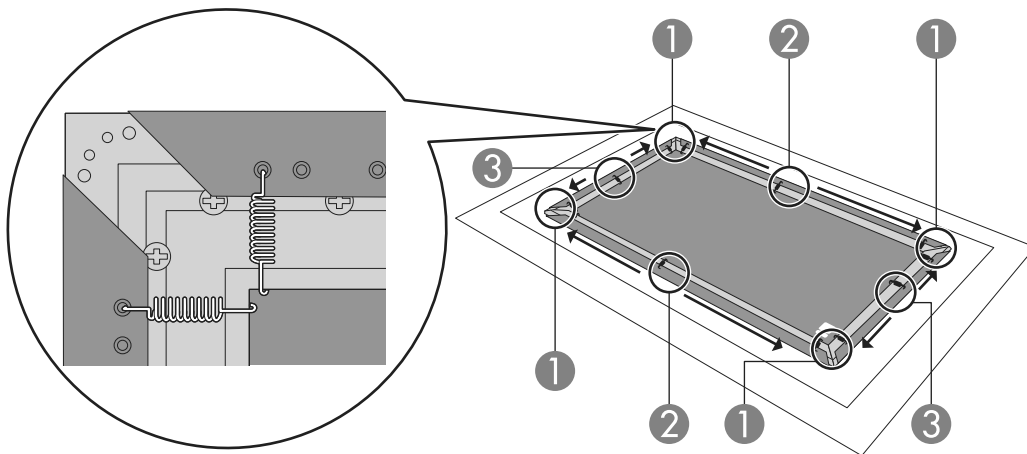
Placez le cadre de sorte qu'il soit au centre de la toile d'écran avec le côté des trous de vis orienté vers le haut. Pliez soigneusement la toile d'écran sur le cadre et vérifiez les deux points suivants pour ajuster la position du cadre.

- Les bords de la toile d'écran aux quatre coins s'alignent avec les lignes pointillées dans l'illustration.
- Les trous de vis (deux points) aux quatre coins ne sont pas couverts par la toile d'écran.

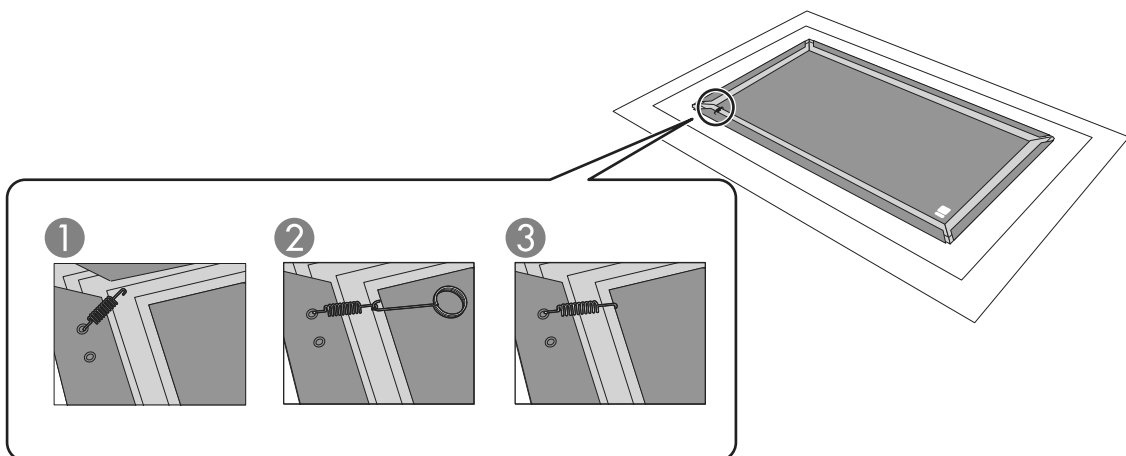


3 Fixez la toile d'écran sur le cadre avec les ressorts

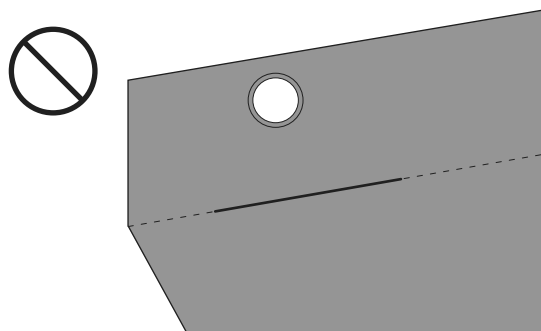
Fixez dans l'ordre suivant : les quatre coins d'abord, puis le centre des côtés longs et enfin le centre des côtés courts. Fixez le reste depuis les centres vers l'extérieur.



Avec l'un des crochets inclus, accrochez une extrémité du ressort à la toile d'écran et l'autre extrémité à l'intérieur du cadre. Tenez fermement le cadre afin que le cadre ne bouge pas en accrochant les ressorts. Si le cadre n'est pas dans la bonne position, repassez à l'étape 2 et ajustez la position du cadre.



Faites attention à ne pas plier ni froisser la toile d'écran en accrochant les ressorts.



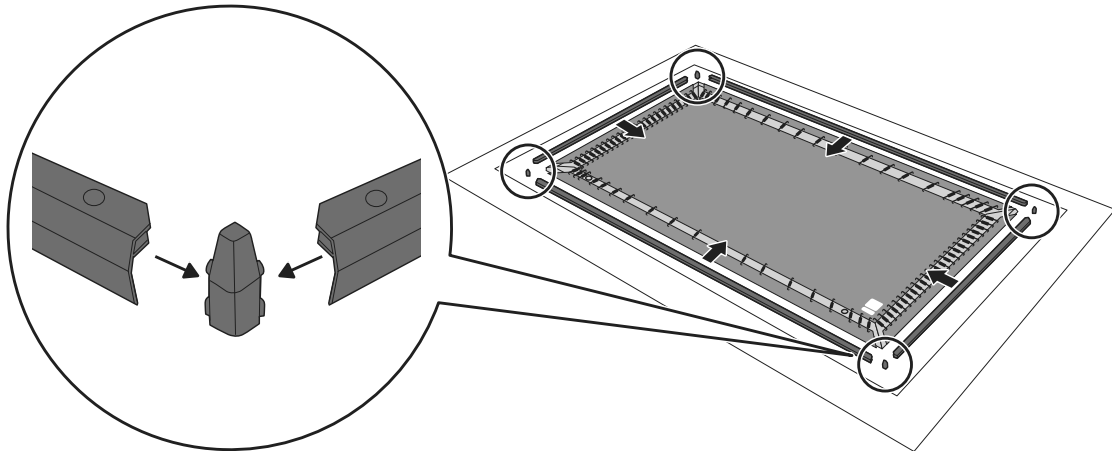
⚠ Attention

Assurez-vous de fixer les ressorts à l'aide des crochets. Si vous fixez les ressorts à mains nues, vos doigts peuvent se coincer dans les ressorts, ce qui peut causer une blessure.

4

Fixez les bords du cadre et les protections d'angle sur le cadre

Fixez les guides du cadre avec le cadre légèrement soulevé et le côté des trous de vis orienté vers le haut.

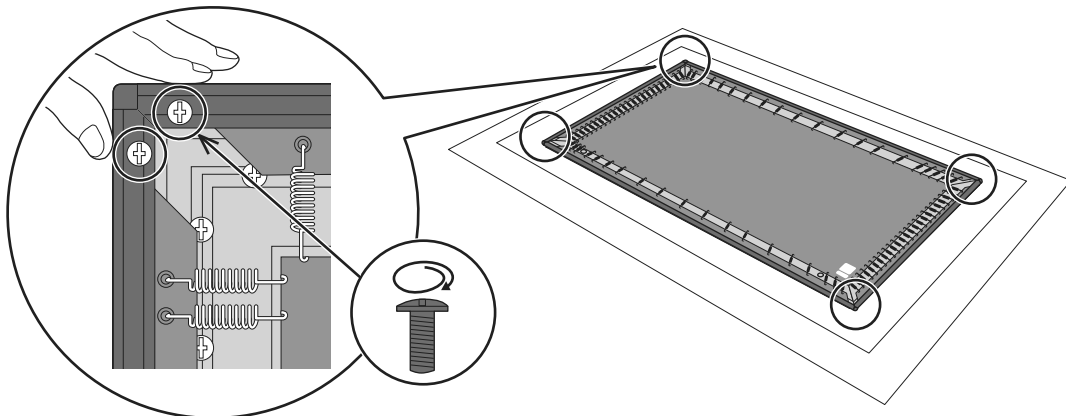


5

Fixez les bords du cadre et les supports en forme de L

Fixez avec les vis M5 x 15 mm fournies. (Deux points x 4)

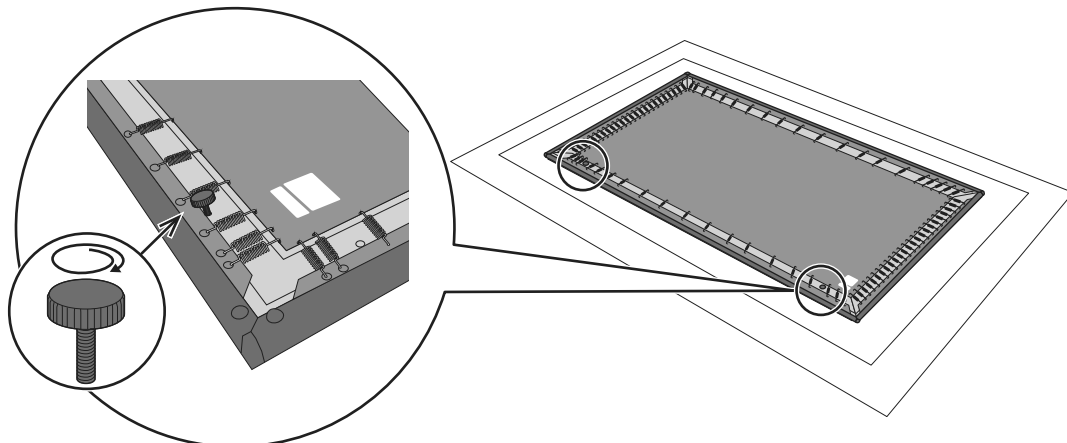
Serrez les vis tout en tenant fermement les cadres afin que les protections d'angle ne bougent pas.



6

Installez les vis de réglage d'angle

Fixez-les aux trous de vis dans la partie inférieure du cadre (bord étiqueté « DOWNSIDE »). (Deux points)



■ Fixez l'écran au mur

Consultez le *Guide de l'utilisateur* fourni avec votre projecteur pour vérifier la taille de l'écran et la distance de projection lorsque vous décidez où installer l'écran.

1 Déterminez la position des supports

Consultez le schéma avec les dimensions dans le « Tableau des spécifications ».

☛ "Tableau des spécifications" p.6

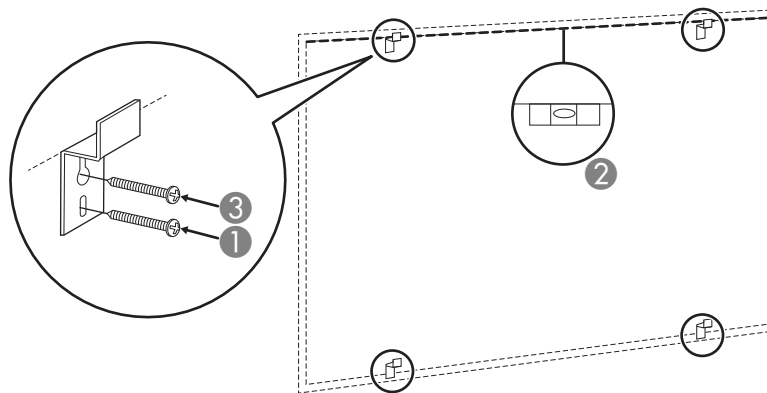
Installez les supports de sorte qu'ils n'entrent pas en contact avec les ressorts à l'arrière de l'écran.

2 Fixez les supports au mur

Utilisez un niveau pour vérifier que les supports sont alignés horizontalement, puis fixez les supports au mur avec des vis disponibles dans le commerce. (Deux points x 4)

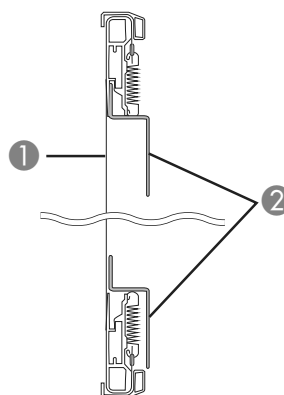
En d'utilisation d'un mur qui n'est pas adapté aux vis, installez une cheville disponible dans le commerce.

Le client doit contacter un spécialiste pour déterminer et obtenir les vis ou les chevilles nécessaires à l'avance. ☛ p.4



- ☞ Les deux supports supérieurs tiennent l'écran.
- ☞ Les deux supports inférieurs procurent un support supplémentaire pour empêcher l'écran de tomber après l'installation.

* Image de la section transversale



- ① Surface de l'écran
- ② Supports muraux

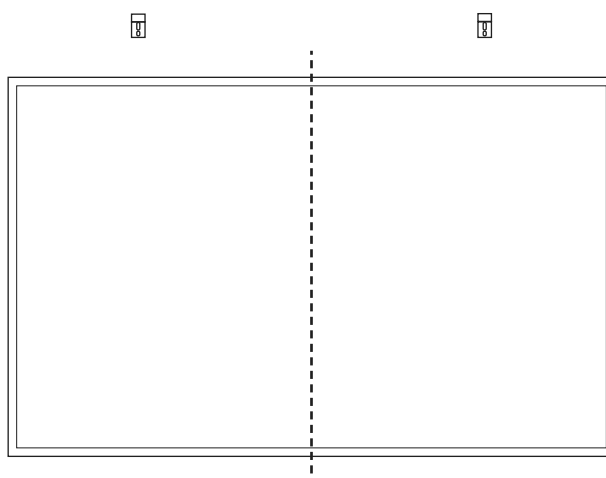
3

Déplacez l'écran

Vérifiez d'abord le haut et le bas de l'écran. Assurez-vous que le bord portant la marque « DOWNSIDE » est en bas à l'arrière. Déplacez l'écran et placez l'arrière contre le mur. Tenez toujours le cadre par les bords gauche et droit lorsque vous déplacez l'écran.



Ajustez la position de sorte que le point central entre les supports gauche et droit soit au centre de l'écran.



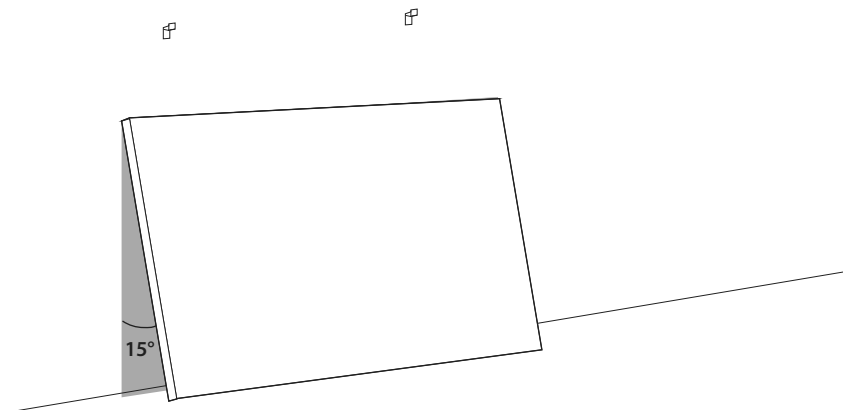
Attention

Si l'écran est à l'envers, la qualité de l'image sera mauvaise.

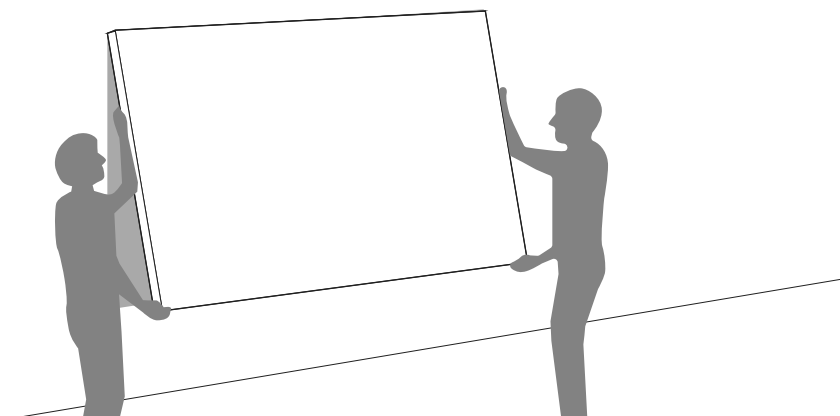
4

Fixez l'écran aux supports

Inclinez l'écran d'environ 15° tout en l'appuyant contre le mur.

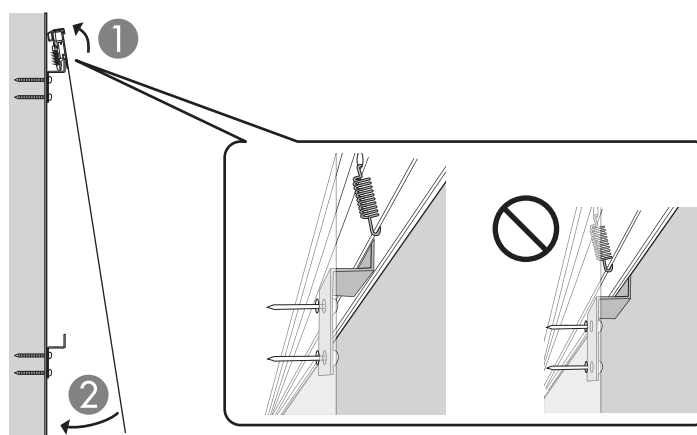


Soulevez l'écran tout en maintenant cet angle.



Accrochez les supports dans la rainure de la partie supérieure de l'écran en baissant l'écran sur les supports.

* Vue latérale de l'écran



Assurez-vous que les supports sont bien dans la rainure de l'écran et que les supports n'entrent pas en contact avec les ressorts à l'arrière de l'écran, puis abaissez le bord inférieur de l'écran contre le mur.

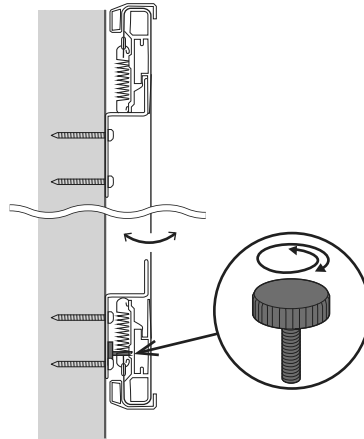


Si l'ombre des supports apparaît à l'écran lorsque des images sont projetées, l'écran n'est peut-être pas placé correctement sur les supports. Retirez l'écran puis réessayez.

5

Enfin, ajustez l'angle de l'écran

Tournez les vis de réglage d'angle vers la gauche et la droite jusqu'à ce que l'écran soit droit en le regardant depuis le côté.



Si l'image projetée est déformée avec une forme trapézoïdale, vous pouvez corriger la distorsion en ajustant l'angle de l'écran avec les vis de réglage d'angle.

© 2020 Seiko Epson Corporation

ELPSC35 ELPSC36

Guía de instalación



Precauciones de seguridad

Para su seguridad, lea todas las instrucciones de esta guía antes de usar este producto. Un manejo incorrecto sin seguir las instrucciones de esta guía podría dañar este producto o causar daños personales o materiales. Guarde a mano esta guía de instalación para futuras consultas.

Indicaciones de seguridad



La documentación y este producto utilizan símbolos gráficos para mostrar cómo utilizar este producto de forma segura.

A continuación se muestran las indicaciones y su significado. Asegúrese de comprenderlas correctamente antes de leer el manual.

Explicación de	los símbolos
 Advertencia	Este símbolo hace referencia a información que, si se ignora, podría causar daños personales e incluso la muerte debido a un manejo incorrecto.
 Precaución	Este símbolo hace referencia a información que, si se ignora, podría causar daños personales y materiales debido a un manejo incorrecto.

Precauciones de Instalación

Epson no acepta ninguna responsabilidad por los accidentes causados por una instalación inadecuada o desastres naturales.

 Advertencia
La instalación (en la pared) solo la deben realizar personas especializadas con conocimientos y destrezas técnicas. Una instalación incompleta o incorrecta podría hacer que el producto se caiga, causando daños personales o materiales. Póngase en contacto con la tienda donde compró el producto para obtener más información.
No instale la pantalla en un lugar donde pueda sufrir vibraciones o golpes. Esto podría dañar la superficie de montaje. Si el producto se cae, podría causar la muerte o lesiones personales.
No lo instale cerca de aparatos de calefacción, como estufas o quemadores. Como el producto contiene materiales plásticos, esto podría provocar un incendio. * Este producto no es ignífugo.
No instale el producto en ubicaciones que no sean lo suficientemente fuertes como para soportar el peso del mismo. Si no sigue esta recomendación, el producto podría caerse y provocar un accidente o lesiones. La ubicación de instalación debe ser lo suficientemente fuerte como para soportar este producto durante mucho tiempo. Compruebe el peso de este producto antes de la instalación, calcule el peso aceptable e instálelo de forma segura. Refuerce la ubicación de instalación si no es lo suficientemente fuerte.
 "Tabla de especificaciones" p.6

 Precaución

No instale este producto en los siguientes lugares. Instalarlo en las siguientes ubicaciones puede afectar al rendimiento de la pantalla.

- Lugares en los que puede estar expuesto al agua o a la lluvia, como al aire libre, en baños o duchas o lugares sujetos a alta humedad
- Lugares donde haya mucha humedad o polvo (como cerca de una encimera de cocina o un humidificador) o humos o vapores

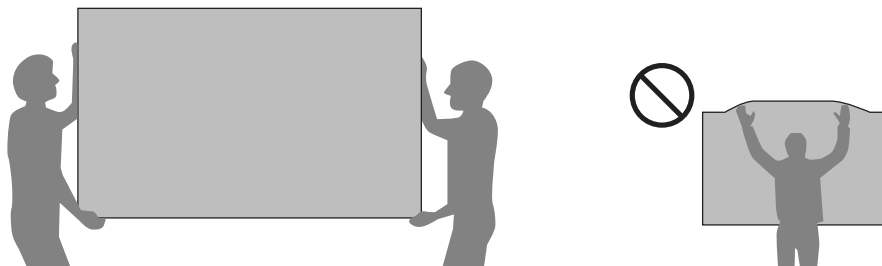
Tenga en cuenta lo siguiente al instalar este producto. Si no se instala correctamente, podría caerse y provocar un accidente o lesiones.

- Inspeccione cuidadosamente la estructura y el material de la ubicación de instalación, e instálelo conforme a las instrucciones de esta guía.
- La instalación debe ser realizada por al menos dos personas.
- No lo coloque en un lugar inestable, como inclinado un determinado ángulo.
- Asegúrese de usar los pernos y tornillos especificados en esta guía.
- Asegúrese de apretar los tornillos. Además, asegúrese de no aflojar o quitar los tornillos accidentalmente mientras instala o retira este producto.
- No se cuelgue de la pantalla ni aplique fuerza excesiva a la misma durante o después de la instalación.
- No desmonte ni modifique este producto.

Use guantes de algodón disponibles en cualquier tienda especializada cuando manipule la tela de la pantalla. Si manipula la pantalla directamente con las manos desprotegidas puede dejar huellas dactilares o suciedad en la tela de la pantalla, lo que puede afectar el rendimiento.


Mantenga los objetos duros o afilados alejados de la tela de la pantalla. Los arañazos en la tela de la pantalla pueden afectar el rendimiento.

Sostenga el marco por los bordes izquierdo y derecho cuando desplace la pantalla. Levante el marco por el centro de la pantalla puede hacer que este se doble y se dañe.



Tenga cuidado de no pillarse los dedos al ensamblar, instalar o almacenar la pantalla.

Precauciones de utilización

 Advertencia

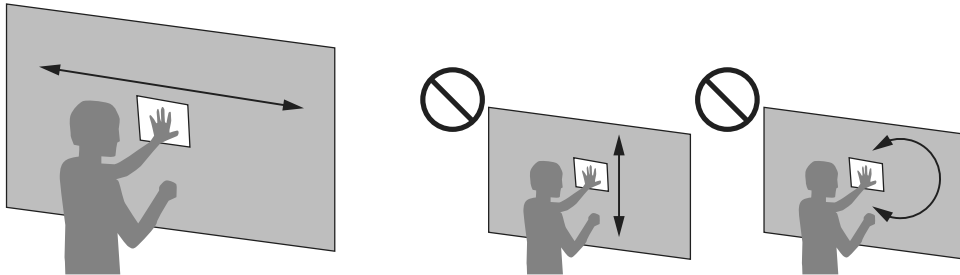
No se cuelgue en la pantalla ni cuelgue objetos pesados en ella.

Si el producto se cae, podría causar la muerte o lesiones personales.

 Precaución

Siga estas precauciones a la hora de manipular la pantalla. Para proyectar imágenes más brillantes y claras, se ha aplicado un material a la superficie de la tela de la pantalla para mejorar los efectos de la reflexión. Si la superficie de la tela se ensucia o se raya, este efecto de reflexión se degradará.

- No toque la superficie de la pantalla con las manos sin protección.
- No escriba en la superficie de la pantalla. Lo que haya escrito accidentalmente en la pantalla no se puede borrar.
- Al limpiar la superficie de la pantalla, hágalo con un paño suave y seco, o cepíllela con un cepillo suave.
- Al limpiar la pantalla, asegúrese de mover el paño o el cepillo hacia la izquierda o hacia la derecha. No los mueva hacia arriba o hacia abajo o alrededor en círculos.



- No empuje la superficie de la pantalla con fuerza ni aplique fuerza continua a dicha pantalla.
- No limpie la superficie de la pantalla con un paño humedecido con agua, bencina o disolvente.
- Mantenga los objetos duros o afilados alejados de la superficie de la pantalla.

Para familias con niños pequeños o mascotas, no les permita jugar alrededor de la pantalla. De lo contrario, podrían causarse lesiones debido a caídas, colisiones, atrapamiento de dedos, etc.

Tela de la pantalla

La tela de la pantalla se seca completamente antes de enviar el producto. Puede oler a sustancias químicas cuando comience a usar la pantalla, pero ese olor desaparecerá con el uso. Si siente que el olor es demasiado fuerte, abra las ventanas para mejorar la ventilación y deje salir el aire de la pantalla durante unos días.

Si cree que hay un problema con la pantalla

Si cree que la pantalla viene suelta o está dañada, deje de usarla de inmediato y póngase en contacto con su distribuidor local.

Desechar la pantalla

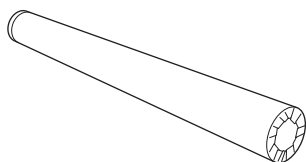
Deshágase del producto conforme a las leyes y regulaciones locales. Cuando utilice este producto en una empresa, deséchelo conforme a las normas de su empresa.

Consulte lo siguiente cuando separe los materiales para deshacerse de ellos.

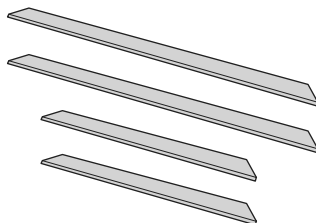
- Tela de la pantalla: poliuretano, PET
- Marco/Bordes del marco: aluminio
- Soportes con forma de L y soportes para pared: acero

Contenidos del paquete

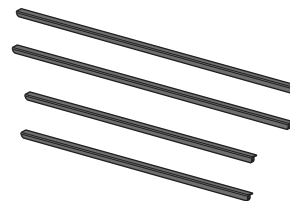
Consulte la lista siguiente para ver los artículos incluidos con este producto. En el caso improbable de que falte algo o esté dañado, póngase en contacto con la tienda donde compró este producto.



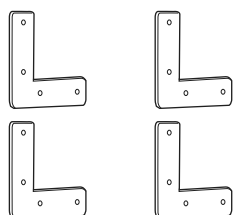
Tela de la pantalla
(Enrollada en un tubo de cartón).



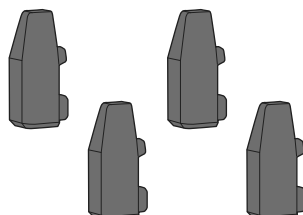
Marcos



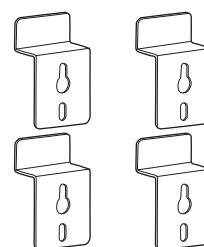
Bordes del marco



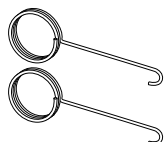
Soportes con forma de L



Protectores de esquina



Soportes para pared



Ganchos

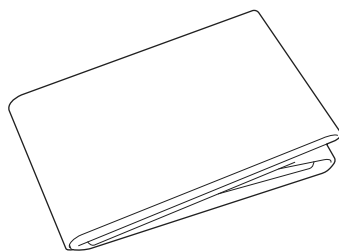
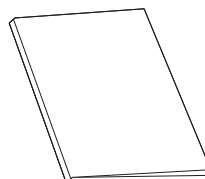


Lámina transparente



Guía de instalación (esta guía)

Forma	Nombre	Número	Uso
	Tornillos con cabeza ovalada embutida de estrella M5 x 8 mm	16	Se utilizan para fijar los marcos y los soportes con forma de L.
	Tornillos con cabeza ovalada embutida de estrella M5 x 15 mm	8	Se utilizan para fijar los bordes de marco y los soportes con forma de L.
	Tornillos de ajuste del ángulo	2	Úselos para ajustar el ángulo de la pantalla para que quede recta.
	Muelles	Pantalla de 100": 94 (6 son de repuesto) Pantalla de 120": 112 (6 son de repuesto)	Coloque la tela de la pantalla en el marco.

- El cliente debe ponerse en contacto con un especialista para determinar y obtener los 8 tornillos necesarios para fijar los soportes para pared a la pared. Recomendamos los siguientes:

Tornillos para madera de estrella M4 x 25 mm

Es posible que necesite diferentes tipos de tornillos según la resistencia de la pared.

Cuando monte el producto en una pared que no admita tornillos para madera, prepare un taco por separado.

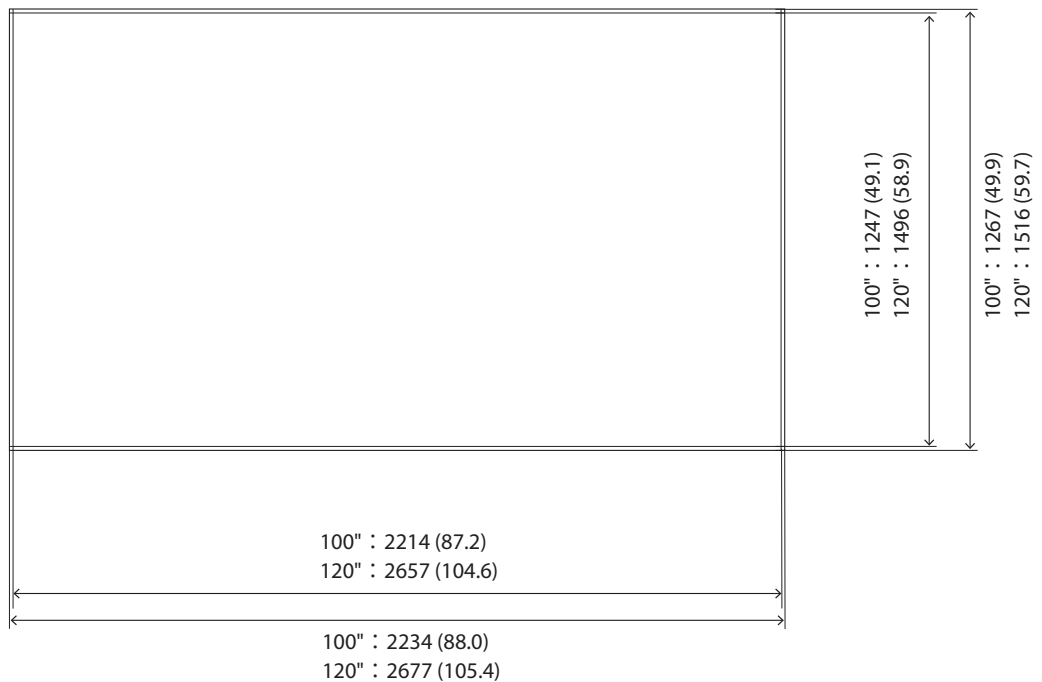
- Prepare las herramientas necesarias.

Tabla de especificaciones

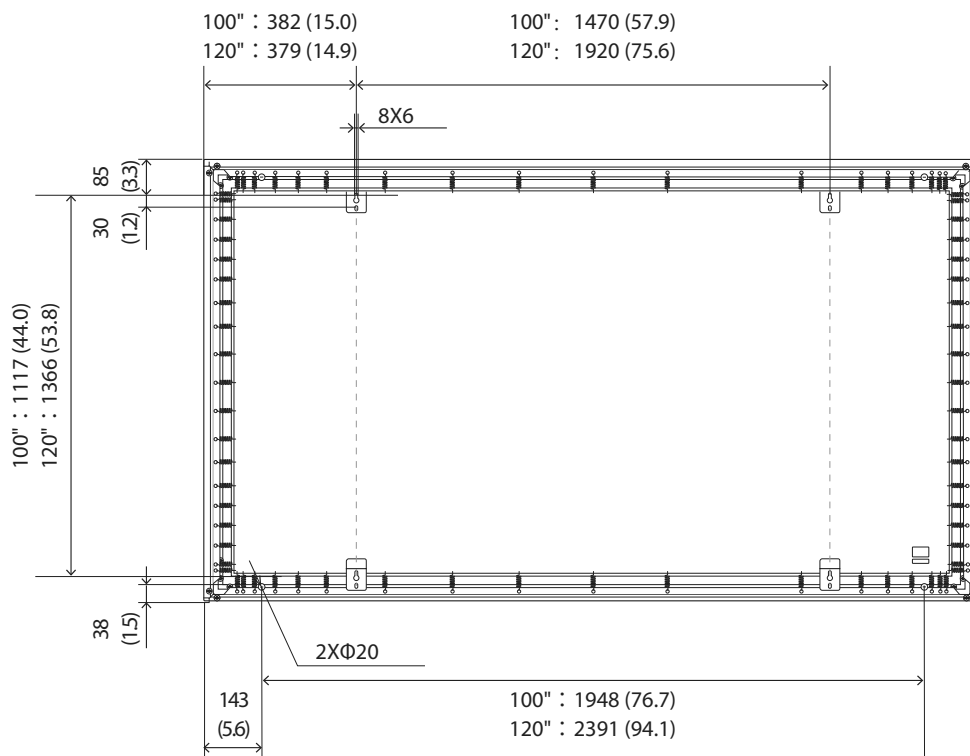
Nombre del producto		Ultra Short Throw Screen ELPSC35	Ultra Short Throw Screen ELPSC36
Tamaño de la pantalla	Tipo	100"	120"
	Tamaño	A 2214 mm (87,2") x L 1247 mm (49,1")	A 2657 mm (104,6") x L 1496 mm (58,9")
	Relación de aspecto	16:9	
Tipo de pantalla		Pantalla de alcance ultracorto que repele la luz ambiente	
Dimensiones externas		W 2234mm (88,0") x H 1267mm (49,9") x D 30 mm (1,2")	W 2677mm (105,4") x H 1516mm (59,7") x D 30 mm (1,2")
Masa		11 kg (24,3 lb) aproximadamente	13 kg (28,7 lb) aproximadamente
Intervalo de temperatura de funcionamiento		De 0 °C (+32 °F) a +35°C (+95 °F) (humedad de entre el 20 % y el 80 %, sin condensación)	
Intervalo de temperatura de almacenamiento		De -10 °C (+14 °F) a +60°C (+140 °F) (humedad de entre el 10 % y el 90 %, sin condensación)	

Unidad: mm (pulgada)

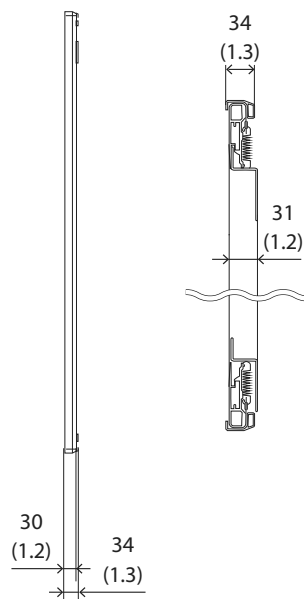
Parte delantera



Parte trasera



Sección lateral y transversal



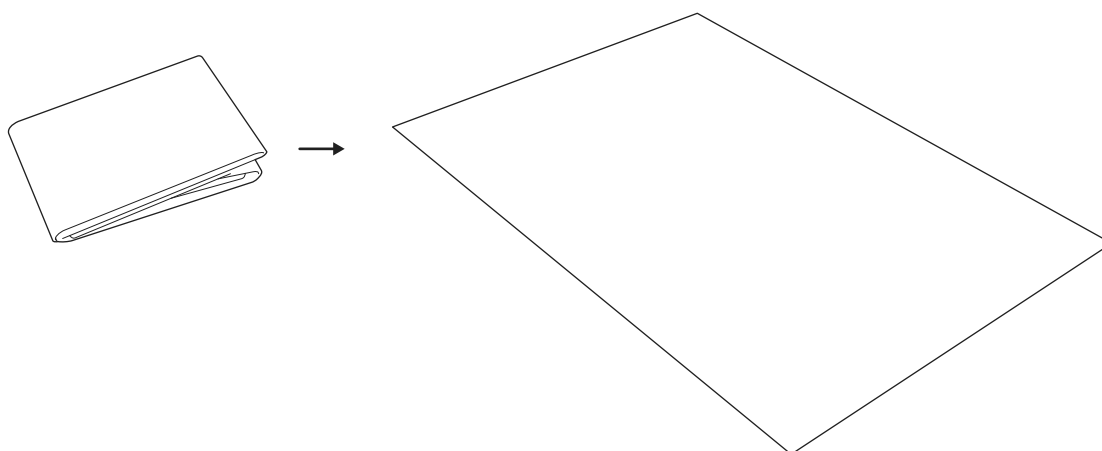
La distancia entre la pared y la superficie de la pantalla es de aproximadamente 31 mm/1,2".

Ensamblado de la pantalla

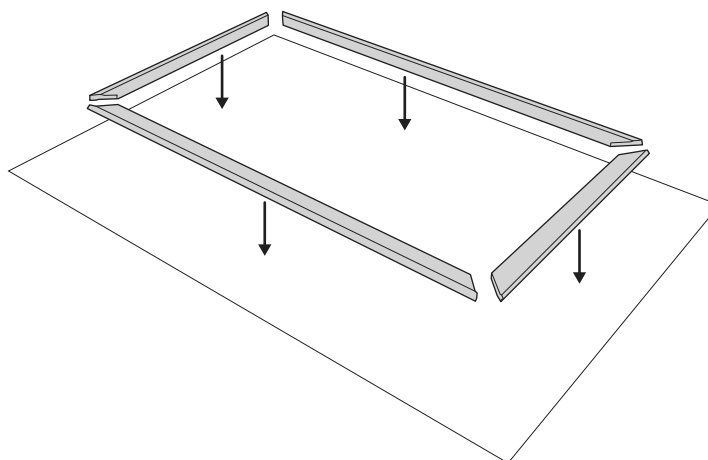
Montaje

Ensamblar los marcos

- 1 Extender la lámina transparente incluida en el suelo
Asegúrese de que no haya objetos en el suelo y extienda la lámina sobre una superficie plana.



- 2 Colocar el marco sobre la lámina transparente
Coloque los marcos con los lados que tienen los orificios de los tornillos hacia arriba.



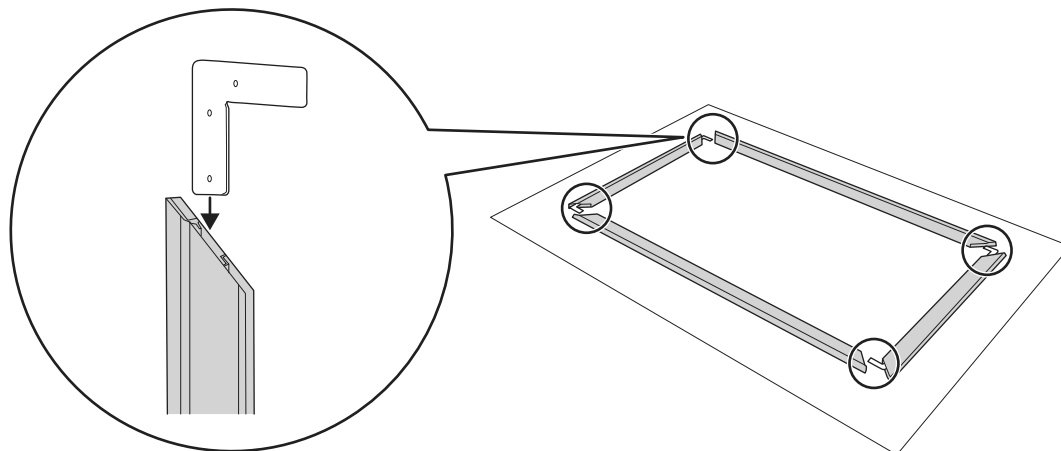
Precaución

Las piezas del marco tienen bordes afilados.
Tenga cuidado para no cortarse los dedos o las manos.

3

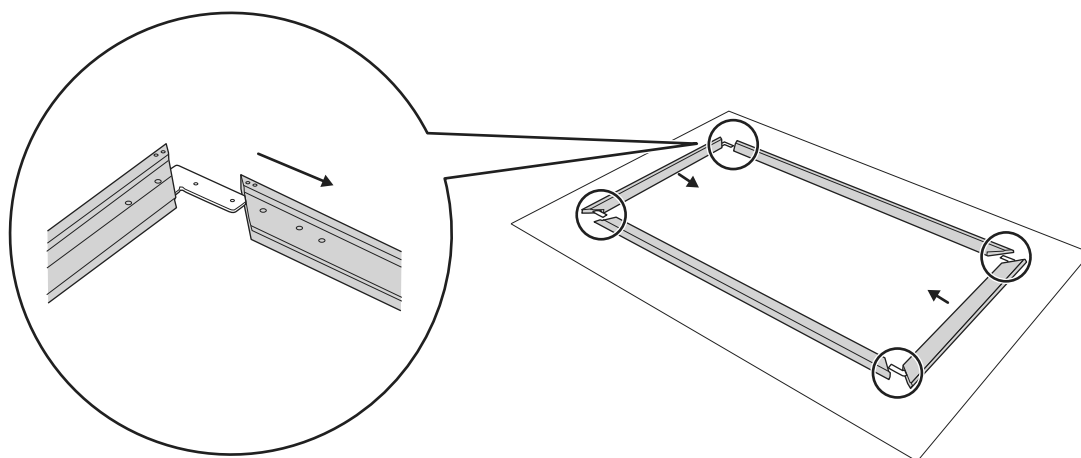
Insertar los soportes con forma de L en los marcos

Inserte los soportes con forma de L en ambos lados cortos de los marcos. (Cuatro puntos)



4

Conectar las partes de los marcos

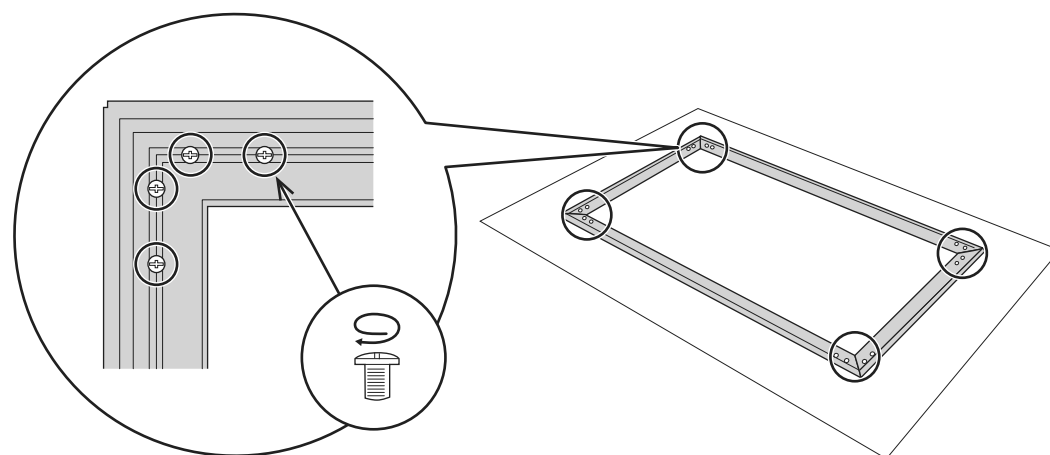


5

Fijar los marcos y los soportes con forma de L

Asegure las piezas con los tornillos M5 x 8 mm suministrados. (Cuatro puntos x 4)

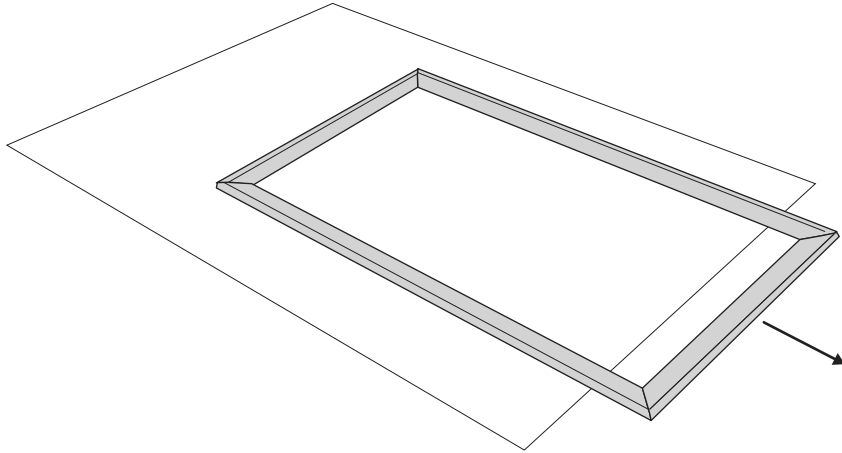
No apriete los tornillos por completo desde el principio. Asegúrese de que no haya separaciones entre los marcos y luego apriete los tornillos de forma segura.



6

Mover el marco

Traslade el marco sacándolo de la lámina transparente y dejando esta vacía.



Puede determinar fácilmente la posición de los soportes colocando el marco en la pared antes de acoplar la tela de la pantalla.

☛ "Acoplar la pantalla a la pared" p.15

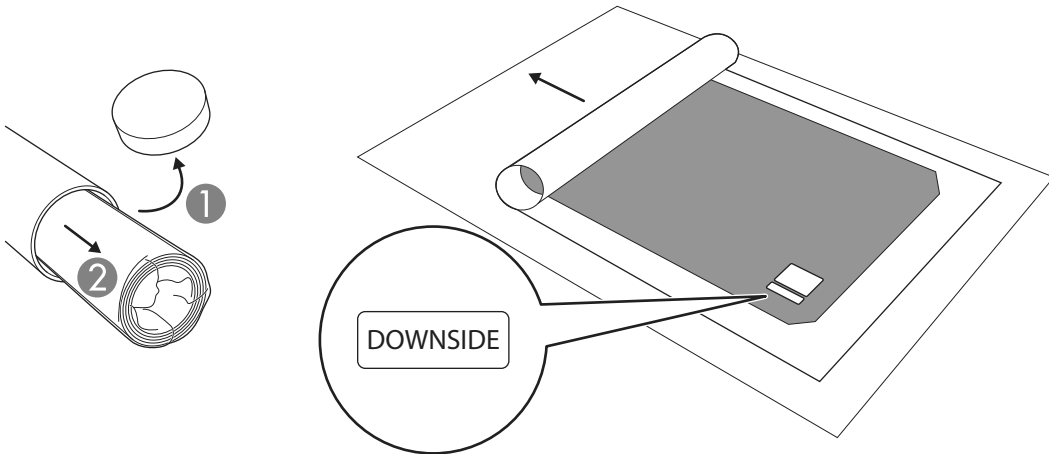
■

Colocar la tela de la pantalla en el marco

1

Extienda la tela de la pantalla en la lámina transparente

Use guantes de algodón (no incluidos) y extienda la tela de la pantalla de forma que el papel en el que está envuelta la pantalla quede debajo de esta. Tenga cuidado de no pisar la tela de la pantalla ni de sentarse en aquella.

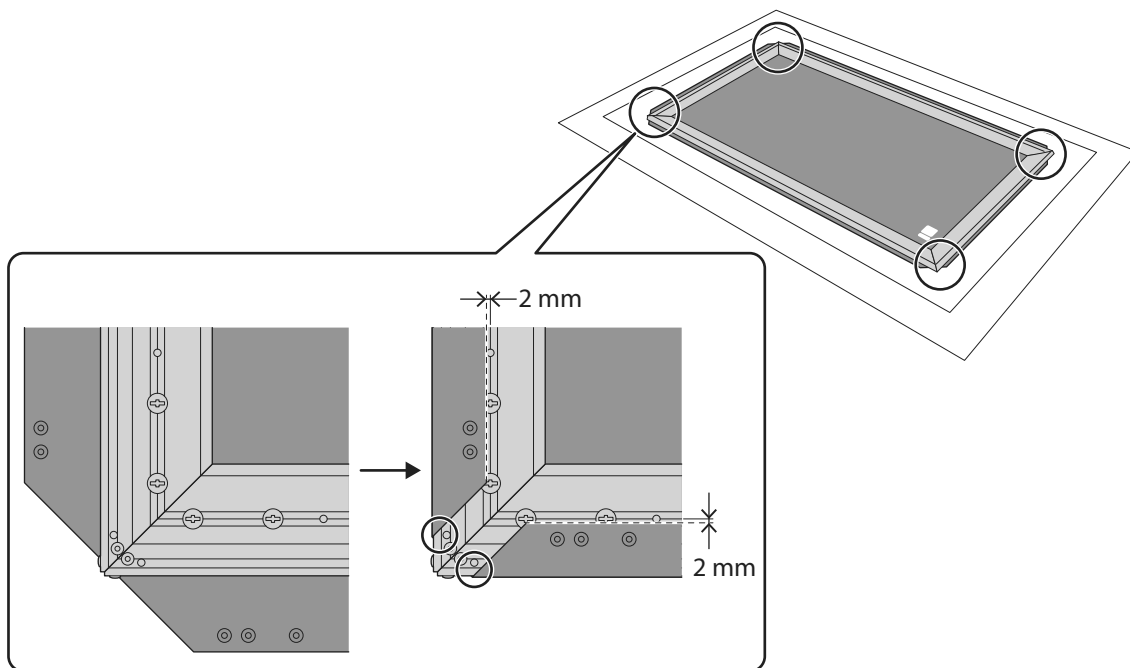


2

Colocar el marco en la tela de la pantalla

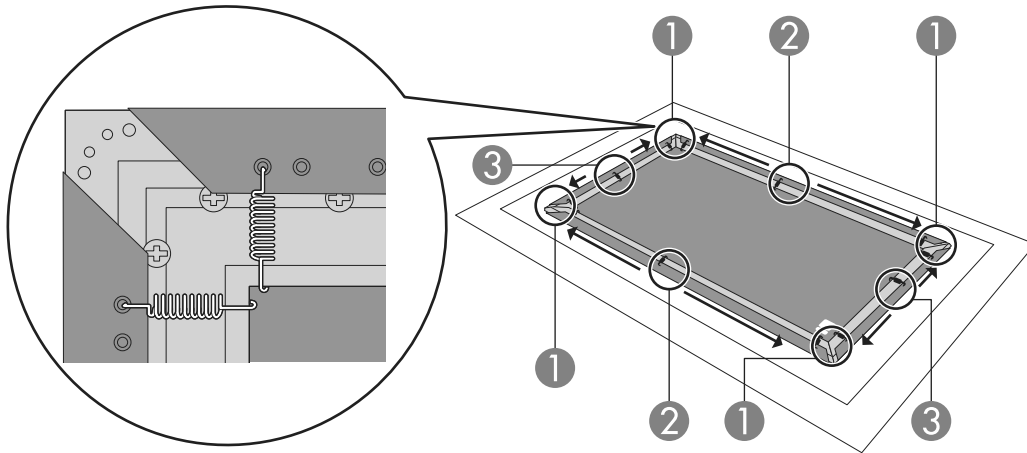
Coloque el marco de modo que quede en el centro de la tela de la pantalla con el lado que tiene los orificios de los tornillos hacia arriba. Doble cuidadosamente la tela de la pantalla sobre el marco y compruebe las dos cuestiones siguientes para ajustar la posición del marco.

- Los bordes de la tela de la pantalla en las cuatro esquinas están alineados con las líneas de puntos de la figura.
- Los orificios de los tornillos (dos puntos) situados en las cuatro esquinas no están cubiertos por la tela de la pantalla.

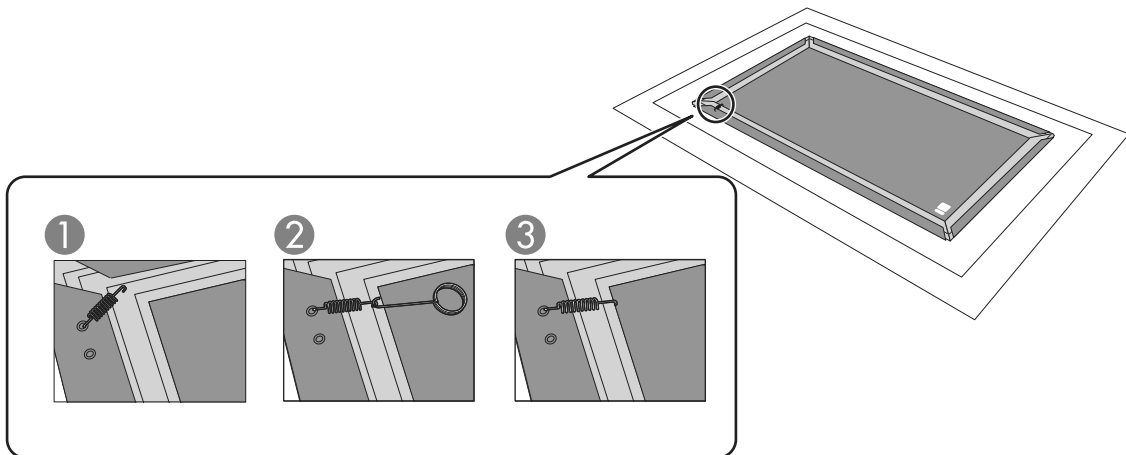


3 Fijar la tela de la pantalla al marco con los muelles

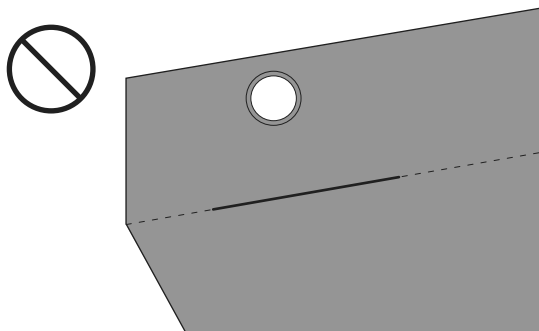
Realice la colocación en el siguiente orden: primero las cuatro esquinas, luego el centro de los lados largos y finalmente el centro de los lados cortos. Coloque el resto desde los centros hacia los exteriores.



Mediante uno de los ganchos incluidos, enganche un extremo del muelle a la tela de la pantalla y el otro extremo al interior del marco. Sujete firmemente el marco para que no se mueva al enganchar los muelles. Si el marco está fuera de posición, vuelva al paso 2 y ajuste la posición del marco.



Tenga cuidado de no doblar ni arrugar la tela de la pantalla al enganchar los muelles.



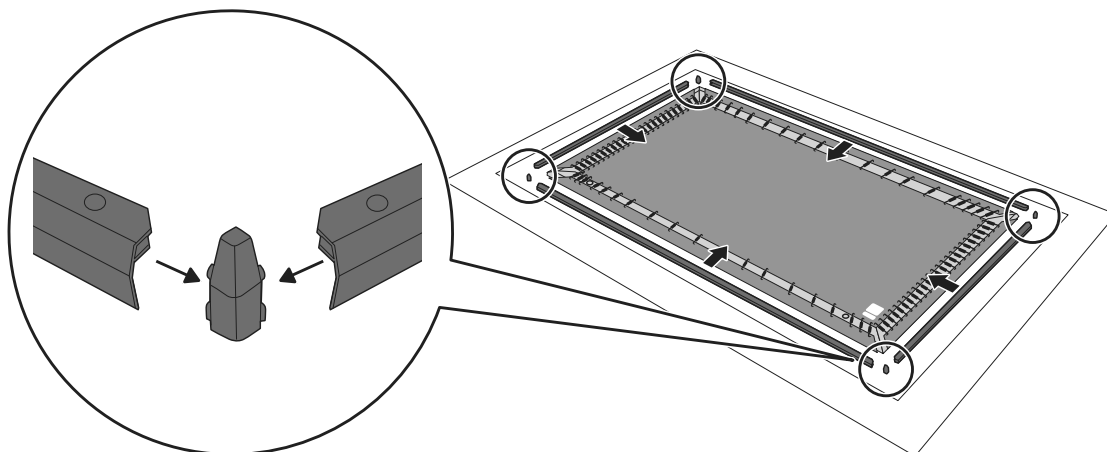
Precaución

Asegúrese de fijar los muelles con los ganchos. Si coloca los muelles con las manos desprotegidas, los dedos pueden quedar atrapados en ellos y sufrir una lesión.

4

Colocar los bordes del marco y las protecciones de esquina en el marco

Fije las guías del marco con este ligeramente levantado y el lado que tiene los orificios de los tornillos hacia arriba.

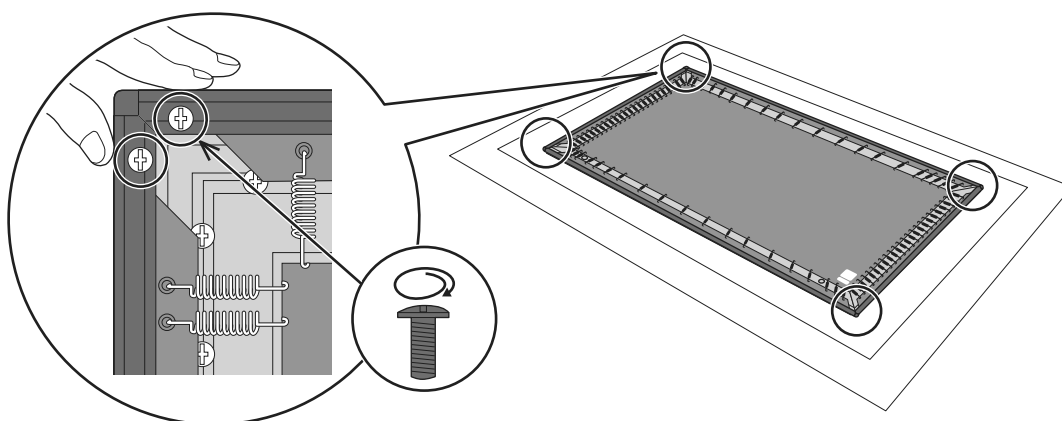


5

Fijar los bordes de marco y los soportes con forma de L

Asegure las piezas con los tornillos M5 x 15 mm suministrados. (Dos puntos x 4)

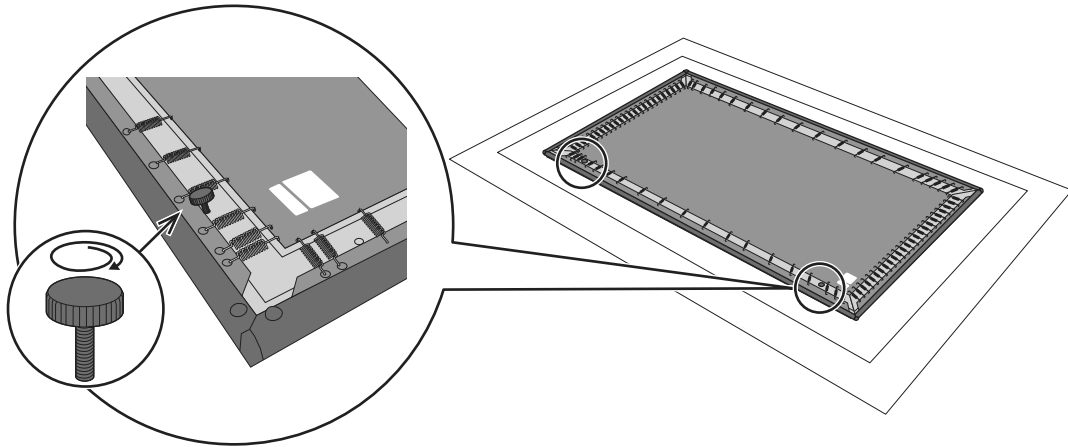
Apriete los tornillos mientras sujeta firmemente los marcos para que los protectores de esquina no se muevan.



6

Instalar los tornillos de ajuste del ángulo

Acóplelo a los orificios de los tornillos que se encuentran en la parte inferior del marco (el borde que tiene la etiqueta "DOWNSIDE"). (Dos puntos)



■ Acoplar la pantalla a la pared

Consulte el *Manual de usuario* suministrado con el proyector para comprobar el tamaño de la pantalla y la distancia de proyección cuando decida dónde instalar la pantalla.

1 Determinar la posición de los soportes

Consulte la figura en la que se reflejan las dimensiones en la sección "Tabla de especificaciones".

☛ "Tabla de especificaciones" p.6

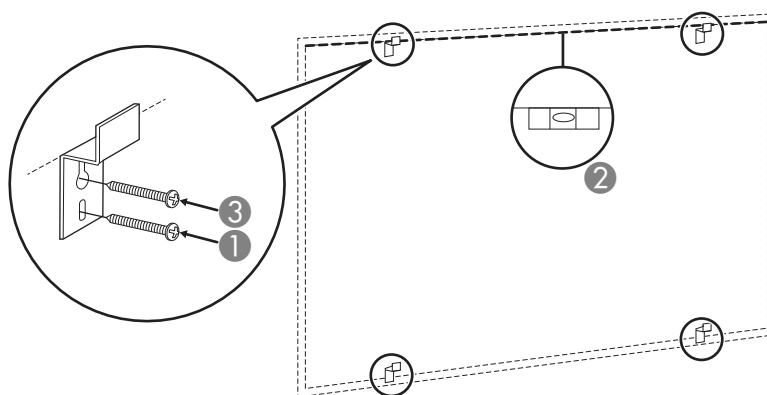
Instale los soportes de forma que no entren en contacto con los muelles en la parte posterior de la pantalla.

2 Acoplar los soportes a la pared

Use un nivel para verificar que los soportes estén alineados horizontalmente y, a continuación, asegure los soportes a la pared con tornillos disponibles en el mercado. (Dos puntos x 4)

Cuando use una pared que no admita tornillos, instale un taco disponible en el mercado.

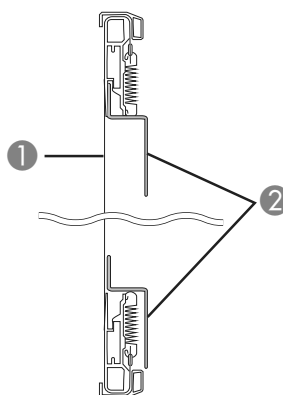
El cliente debe ponerse en contacto con un especialista para determinar y obtener los tornillos o tacos necesarios por adelantado. ☛ p.4



Los dos soportes superiores sostienen la pantalla.

Los dos soportes inferiores ofrecen soporte adicional para evitar que la pantalla se caiga después de la instalación.

* Imagen de sección transversal



① Superficie de la pantalla

② Soportes para pared

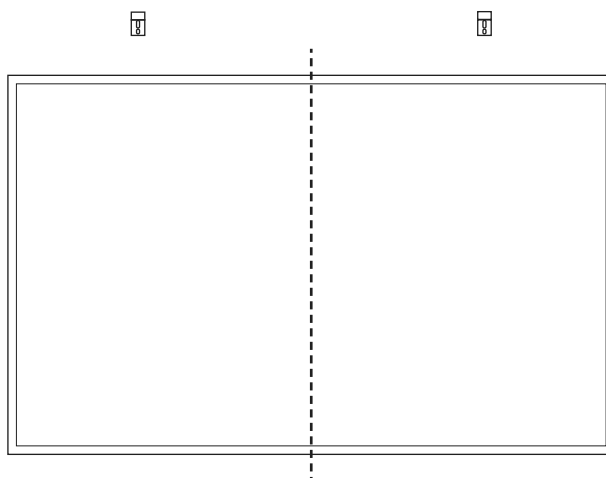
3

Trasladar la pantalla

Verifique primero la parte superior e inferior de la pantalla. Asegúrese de que el borde con la etiqueta DOWNSIDE esté en la parte inferior. Traslade la pantalla y coloque la parte posterior contra la pared. Sostenga siempre el marco por los bordes izquierdo y derecho cuando traslade la pantalla.



Ajuste la posición de forma que el punto central entre los soportes izquierdo y derecho se encuentre en el centro de la pantalla.



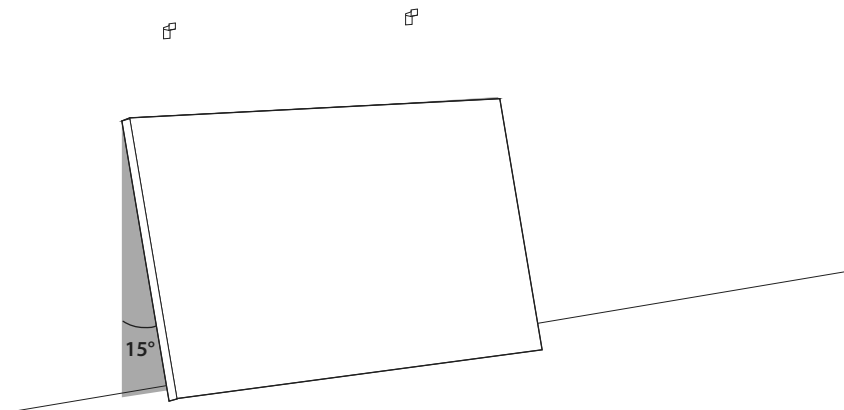
 **Precaución**

Si la pantalla está boca abajo, la calidad de la imagen será deficiente.

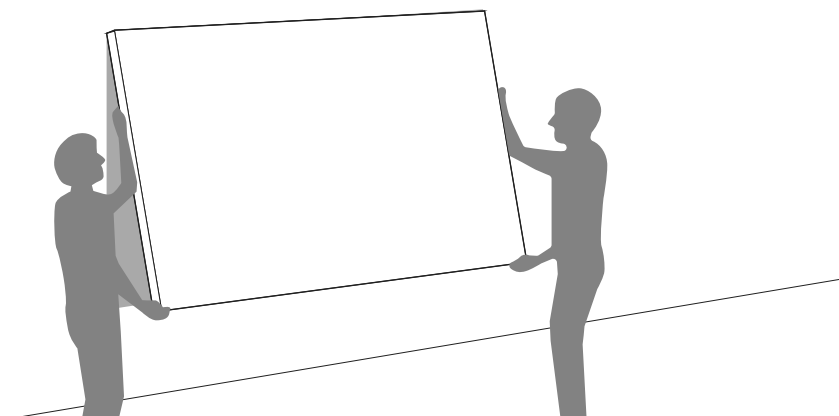
4

Acoplar la pantalla a los soportes

Incline la pantalla aproximadamente 15° mientras la apoya contra la pared.

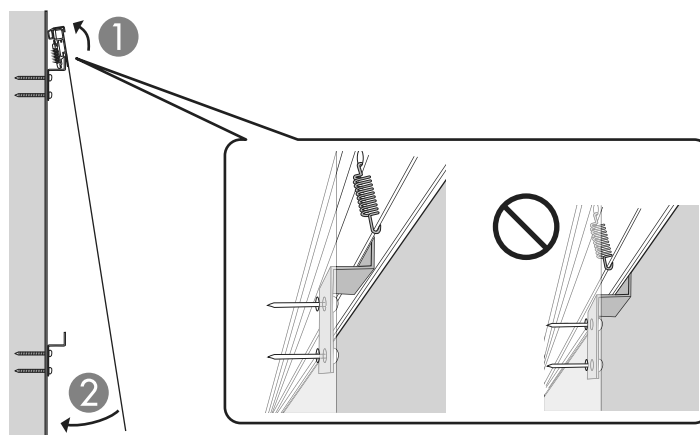


Levante la pantalla mientras mantiene este ángulo.



Enganche los soportes en la ranura en la parte superior de la pantalla a medida que baja esta sobre los soportes.

* Vista lateral de la pantalla



Asegúrese de que los soportes estén bien fijados en la ranura de la pantalla y que no entren en contacto con los muelles de la parte posterior de la pantalla y, a continuación, baje el borde inferior de la pantalla contra la pared.

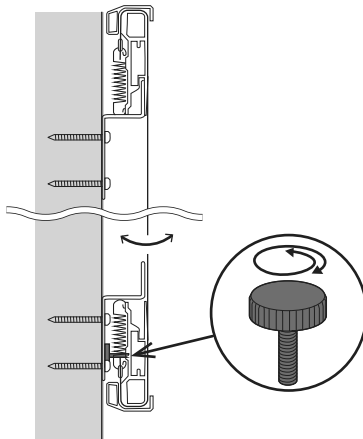


Si las sombras de los soportes aparecen en la pantalla al proyectar imágenes, es posible que la pantalla no esté colocada correctamente en dichos soportes. Quite la pantalla e inténtelo de nuevo.

5

Por último, ajustar el ángulo de la pantalla

Gire los tornillos de ajuste del ángulo hacia la izquierda y hacia la derecha hasta que la pantalla esté recta cuando se vea desde un lado.



Si la imagen proyectada se distorsiona convirtiéndose en una forma trapezoidal, puede corregir la distorsión ajustando el ángulo de la pantalla con los tornillos de ajuste del ángulo.

ELPSC35 ELPSC36

Manual de instalação



Precauções de segurança

Para sua segurança, leia todas as instruções presentes neste manual antes de utilizar este produto. Um manuseamento incorrecto que ignore as instruções contidas neste manual poderá danificar este produto ou poderá resultar em lesões pessoais ou danos de propriedade. Mantenha este manual de instalação disponível para futura referência.

Indicações de segurança



A documentação e este produto utilizam símbolos gráficos para demonstrar como utilizar o produto correctamente.


As indicações e o respectivo significado são apresentados em seguida. Certifique-se de que os compreende correctamente antes de ler o manual.

Símbolo	Explicação
 Aviso	Este símbolo indica a informação que, se for ignorada, poderá resultar em lesões pessoais ou mesmo morte devido ao manuseamento incorrecto.
 Atenção	Este símbolo indica a informação que, se for ignorada, poderá resultar em lesões pessoais ou danos físicos devido ao manuseamento incorrecto.

Precauções de instalação

A Epson não assume qualquer responsabilidade por acidentes causados por uma instalação incorreta ou desastres naturais.

 Aviso
O trabalho de instalação (montagem na parede) deverá ser efetuado apenas por especialistas com o conhecimento técnico e habilidade necessários. Uma instalação incompleta ou incorrecta poderá dar origem à queda do produto e causar lesões pessoais ou danos de propriedade. Contacte a loja onde adquiriu o produto para obter mais informações.
Não instale o ecrã num local onde possa ficar sujeito a vibrações ou choques. Isto poderá resultar em danos na superfície de montagem. Se este produto cair, poderá causar a morte ou lesões pessoais.
Não instale o produto próximo de aparelhos de aquecimento, como fogões. Uma vez que o produto contém materiais plásticos, poderá causar um incêndio. * Este produto não é retardador de chama.
Não instale o produto em locais que não sejam suficientemente resistentes para suportar o seu peso. Caso contrário, o produto poderá cair e causar um acidente ou lesões pessoais. O local de instalação deve ser suficientemente resistente para suportar este produto durante um longo período de tempo. Verifique o peso deste produto antes da instalação, calcule o peso aceitável e instale o produto de forma segura. Reforce o local de instalação, se este não for suficientemente resistente.
 "Tabela de especificações" Pág.6

 Atenção

Não instale este produto nos locais que se seguem. A instalação do produto nos locais que se seguem pode prejudicar o desempenho do ecrã.

- Locais que possam estar expostos a água ou chuva, como espaços exteriores, casas de banho/balneários ou locais sujeitos a muita humidade
- Locais sujeitos a muita humidade ou poeira, como as zonas próximas de balcões de cozinha ou de um humidificador, ou locais sujeitos a fumo ou vapor

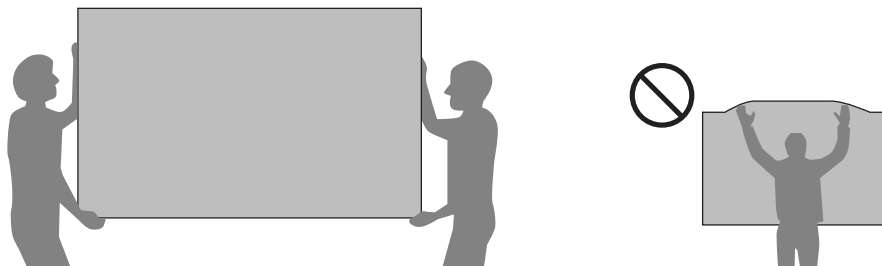
Tome as seguintes precauções ao instalar este produto. Se não instalar o produto corretamente, este poderá cair e causar um acidente ou lesões pessoais.

- Inspeccione cuidadosamente a estrutura e o material do local de instalação, e instale o produto segundo as instruções neste manual.
- A instalação deve ser efetuada por, pelo menos, duas pessoas.
- Não coloque o produto num local instável, como um local inclinado.
- Utilize os parafusos especificados neste manual.
- Aperte os parafusos. Além disso, certifique-se de que não solta ou remove os parafusos acidentalmente ao instalar ou remover este produto.
- Não se pendure no ecrã nem aplique força excessiva no mesmo durante ou após a instalação.
- Não desmonte ou modifique este produto.

Utilize luvas de algodão disponíveis comercialmente ao manusear a tela do ecrã. Manusear o ecrã diretamente com as mãos pode deixar impressões digitais ou sujidade na tela do ecrã, o que pode prejudicar o desempenho.


Mantenha objetos duros ou afiados afastados da tela do ecrã. Arranhões na tela do ecrã podem prejudicar o desempenho.

Segure na moldura pelas extremidades esquerda e direita ao mover o ecrã. Elevar a moldura no centro do ecrã pode fazer com que a moldura dobre e fique danificada.



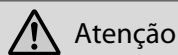
Tenha cuidado para não entalar os dedos ao montar, instalar ou armazenar o ecrã.

Precauções de utilização

 Aviso

Não se pendure nem pendure objetos pesados no ecrã.

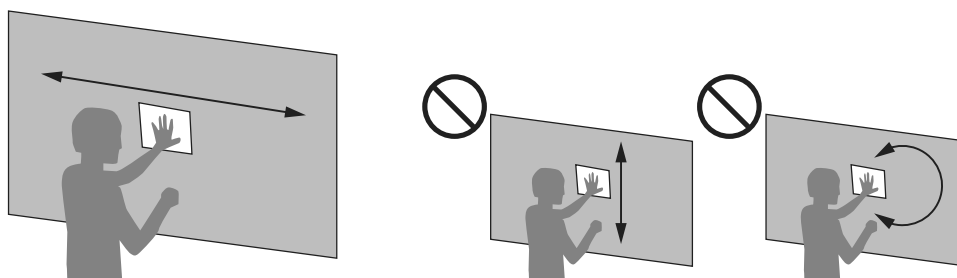
Se este produto cair, poderá causar a morte ou lesões pessoais.



Atenção

Observe os pontos seguintes ao manusear o ecrã. Para projetar imagens mais brilhantes e claras, foi aplicado um material na superfície da tela do ecrã para melhorar os efeitos de reflexão. Se a superfície da tela estiver suja ou arranhada, este efeito de reflexão será degradado.

- Não toque na superfície do ecrã diretamente com as mãos.
- Não escreva na superfície do ecrã. Não é possível apagar texto escrito acidentalmente no ecrã.
- Ao limpar a superfície do ecrã, passe um pano macio e seco ou uma escova macia.
- Ao limpar o ecrã, certifique-se de que move o pano ou a escova para a esquerda ou para a direita. Não mova para cima ou para baixo nem em círculos.



- Não empurre a superfície do ecrã com força ou aplique força contínua no ecrã.
- Não limpe a superfície do ecrã com um pano humedecido com água, benzina ou diluente.
- Mantenha objetos duros ou afiados afastados da superfície do ecrã.

Para famílias com crianças ou animais de estimação, não permita que brinquem à volta do ecrã. Caso contrário, poderão ocorrer lesões se este cair, colidir, entalar dedos, etc.

Tela do ecrã

A tela do ecrã é bem seca antes do envio. Poderá sentir o aroma de químicos quando começar a utilizar o ecrã, mas é algo que desaparecerá com a utilização. Se sentir que o odor é demasiado forte, abra a janela para melhorar a ventilação e deixe o ecrã arejar durante alguns dias.

Caso detete um problema com o ecrã

Caso detete que o ecrã está a ficar solto ou está danificado, interrompa imediatamente a sua utilização e entre em contacto com o fornecedor.

Eliminar o ecrã

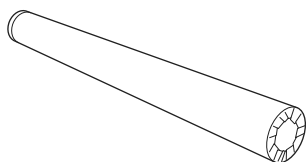
Elimine-o de acordo com as leis e os regulamentos locais. Quando utilizar este produto numa empresa, elimine-o segundo as regras da sua empresa.

Consulte a lista seguinte quando separar os materiais para eliminação.

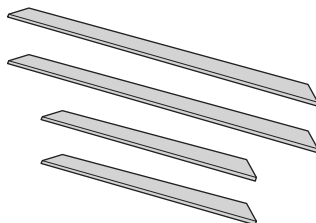
- Tela do ecrã: Poliuretano, PET
- Moldura/Extremidades da moldura: Alumínio
- Suportes em L/Suportes de parede: Aço

Conteúdos da Embalagem

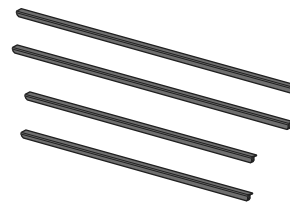
Consulte a lista seguinte para saber os itens facultados juntamente com este produto. No caso improvável de estar algum item em falta ou danificado, contacte a loja onde adquiriu este produto.



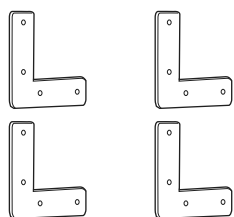
Tela do ecrã
(Enrolada num tubo de cartão.)



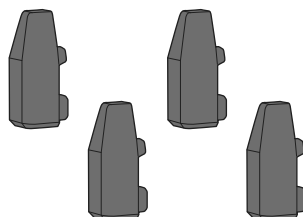
Molduras



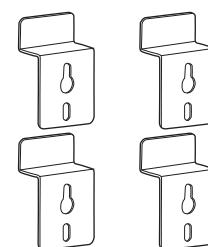
Extremidades da moldura



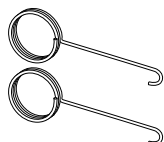
Suportes em L



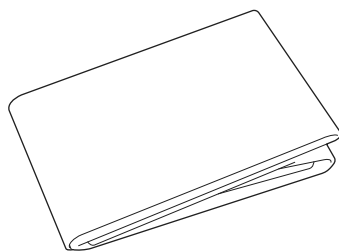
Protetores de canto



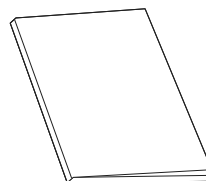
Suportes de parede



Ganchos



Folha transparente



Manual de instalação (este manual)

Formato	Nome	Número	Aplicação
	Parafuso de reforço com cabeça com cruz rebaixada M5 x 8 mm	16	Fixa as molduras e os suportes em L.
	Parafuso de reforço com cabeça com cruz rebaixada M5 x 15 mm	8	Fixa as extremidades da moldura e os suportes em L.
	Parafusos de ajuste de ângulo	2	Utilize estes parafusos para ajustar o ângulo do ecrã, de modo a que fique reto.
	Molas	Ecrã de 100": 94 (6 são de substituição) Ecrã de 120": 112 (6 são de substituição)	Coloque a tela do ecrã na moldura.

- O cliente terá de contactar um especialista para determinar e obter os 8 parafusos necessários para fixar os suportes à parede. Recomendamos o seguinte.

Parafuso de madeira com cabeça com cruz M4 x 25 mm

Poderá precisar de diferentes tipos de parafusos dependendo da força da parede.

Ao montar o produto numa parede que não suporte parafusos de madeira, prepare uma bucha separadamente.

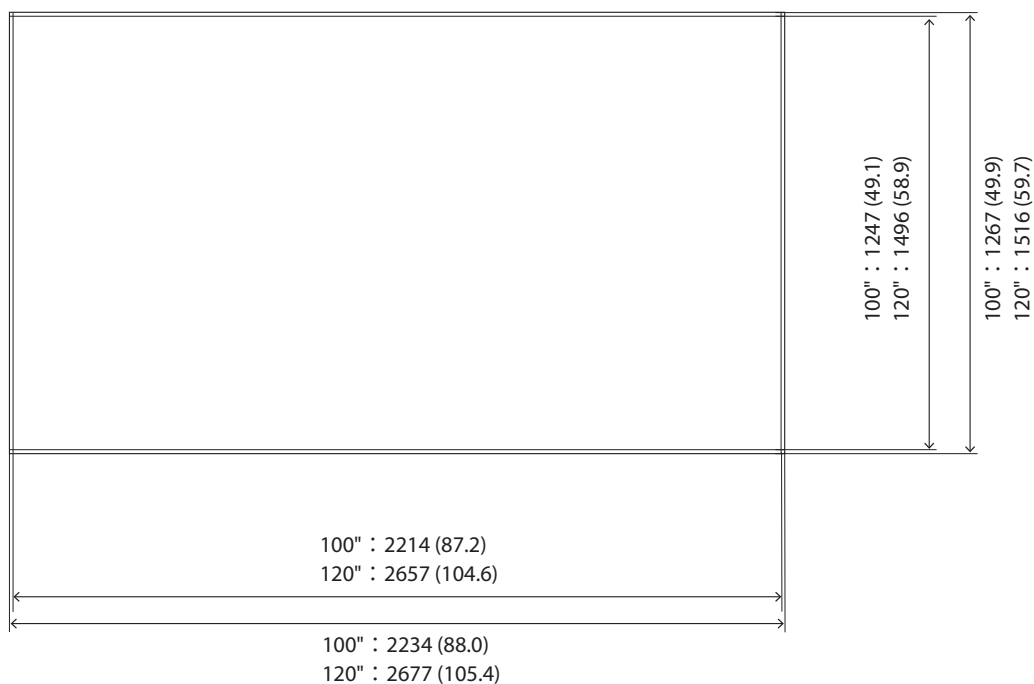
- Prepare as ferramentas necessárias.

Tabela de especificações

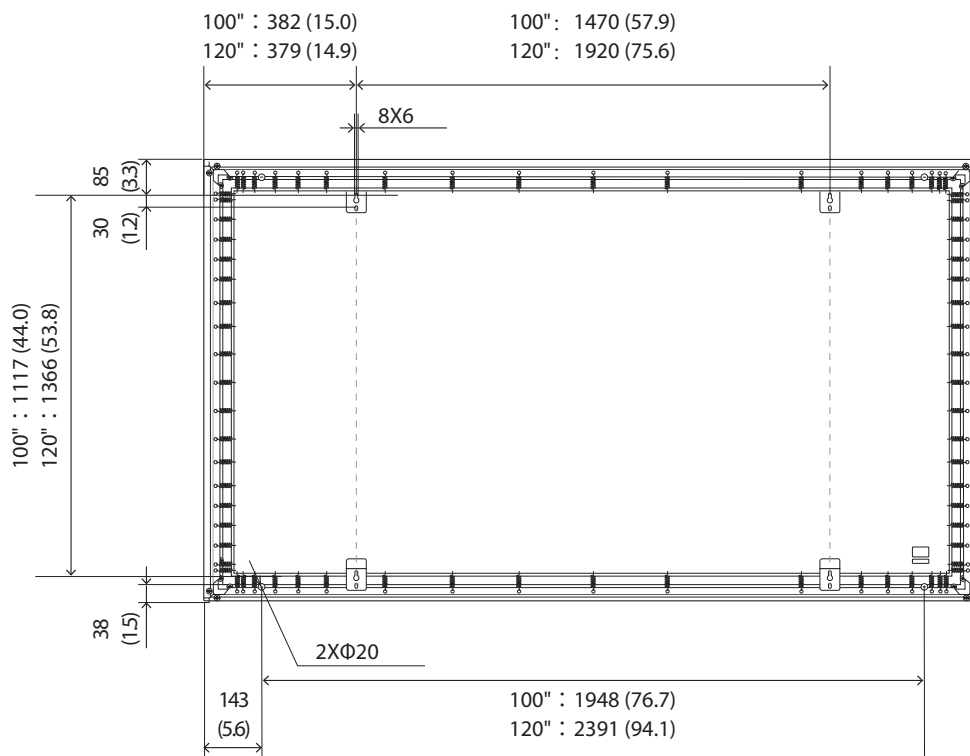
Nome do produto		Ultra Short Throw Screen ELPSC35	Ultra Short Throw Screen ELPSC36
Tamanho do ecrã	Tipo	100"	120"
	Tamanho	L 2214 mm (87,2 in) x A 1247 mm (49,1 in)	L 2657 mm (104,6 in) x A 1496 mm (58,9 in)
	Proporção	16:9	
Tipo de ecrã		Ultra Short Throw Ambient Light Deflecting Screen	
Dimensões externas		L 2234 mm (88,0 in) x A 1267 mm (49,9 in) x P 30 mm (1,2 in)	L 2677mm (105,4 in) x A 1516mm (59,7 in) x P 30 mm (1,2 in)
Massa		Aprox. 11 kg (24,3 lb)	Aprox. 13 kg (28,7 lb)
Intervalo de temperaturas de funcionamento		0°C (+32°F) a +35°C (+95 °F) (humidade 20% a 80%, sem condensação)	
Intervalo de temperaturas de armazenamento		-10°C (+14°F) a +60°C (+140 °F) (humidade 10% a 90%, sem condensação)	

Unidade: mm (in)

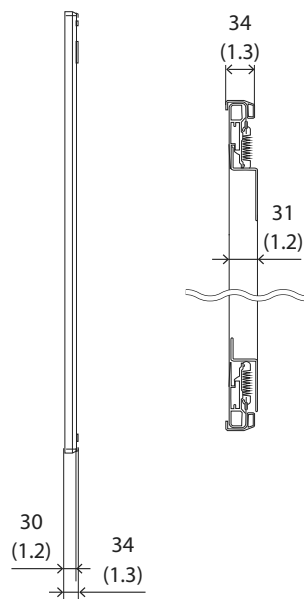
Frente



Trás



Secção lateral/transversal



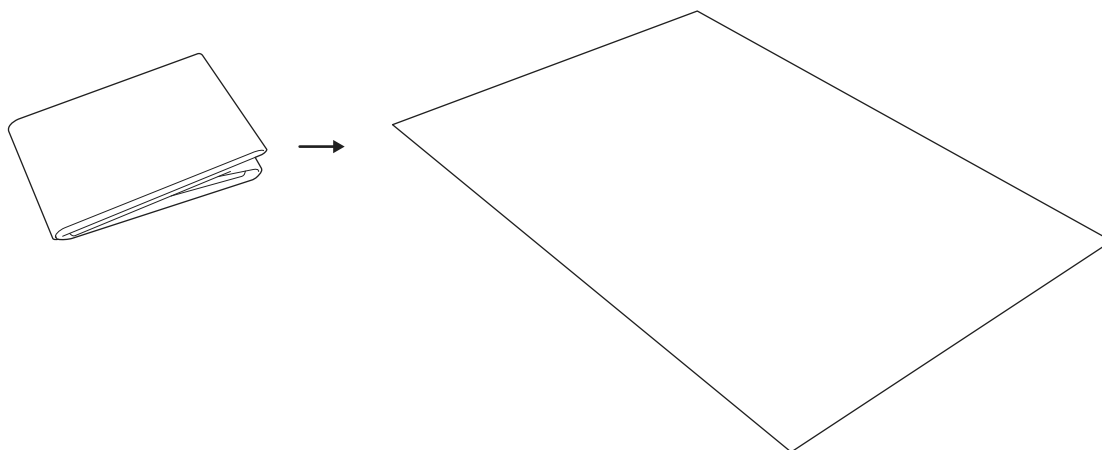
A distância entre a parede e a superfície do ecrã é aproximadamente 31 mm/1,2 in.

Montar o ecrã

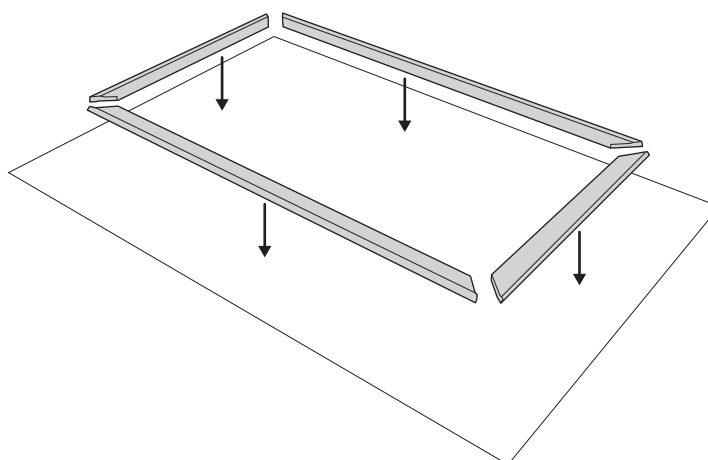
Montar

Montar as molduras

- 1 Estenda completamente a folha transparente incluída no chão
Certifique-se de que não existem objetos no chão, e estenda a folha transparente numa superfície plana.



- 2 Coloque a moldura sobre a folha transparente
Coloque as molduras com os lados com os orifícios dos parafusos voltados para cima.



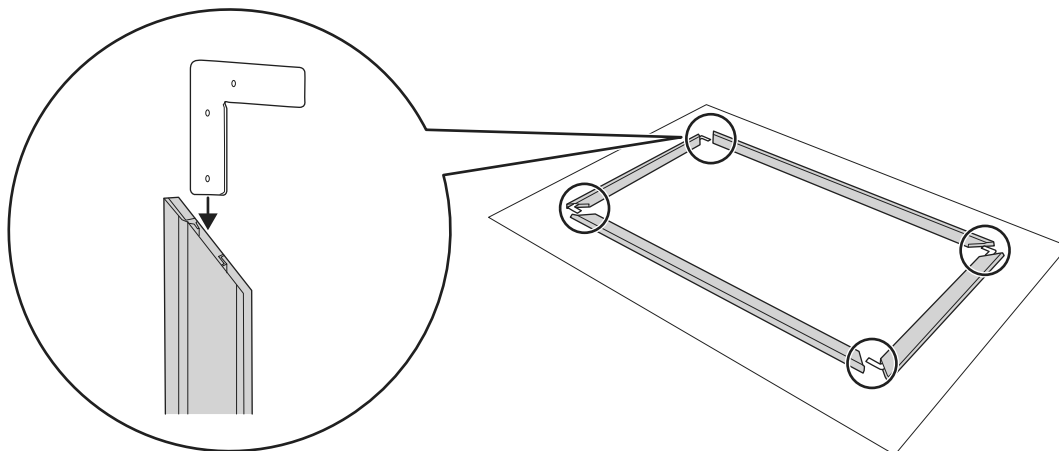
Atenção

As peças da moldura possuem arestas afiadas.
Tenha cuidado para não cortar os dedos ou as mãos.

3

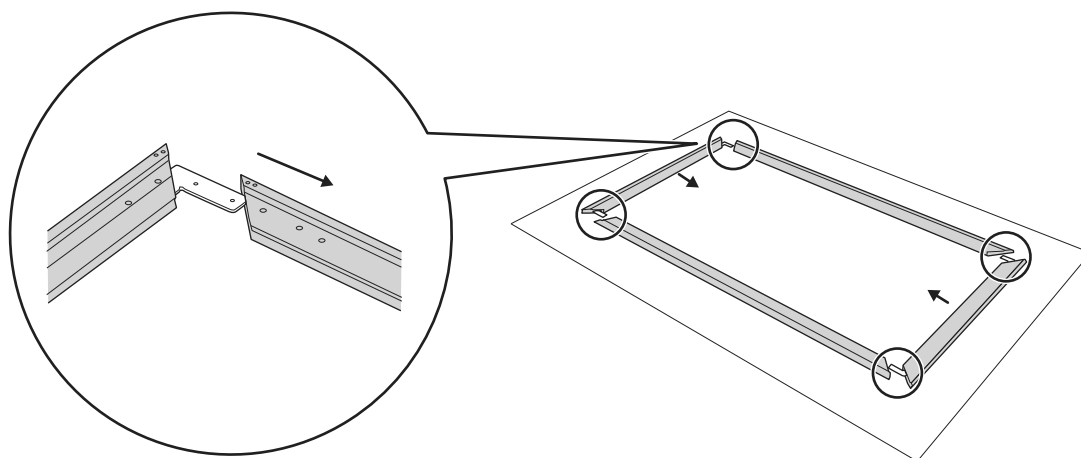
Insira os suportes em L nas molduras

Insira os suportes em L em ambas as laterais mais curtas das molduras. (Quatro pontos)



4

Una as peças das molduras

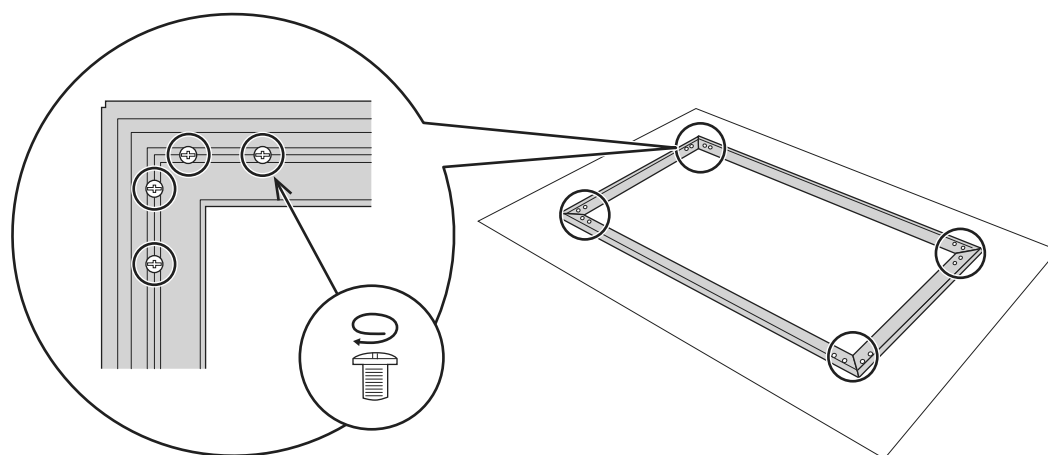


5

Fixe as molduras e os suportes em L

Fixe com os parafusos M5 x 8 mm fornecidos. (Quatro pontos x 4)

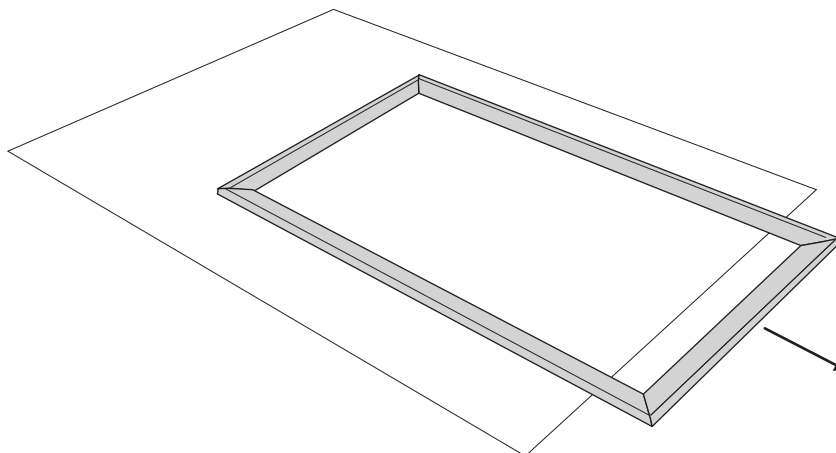
Não aperte completamente os parafusos desde o início. Certifique-se de que não existem espaços entre as molduras e, em seguida, aperte os parafusos com firmeza.



6

Mova a moldura

Remova a moldura da folha transparente.



É possível determinar facilmente a posição dos suportes colocando a moldura na parede antes de fixar a tela do ecrã.

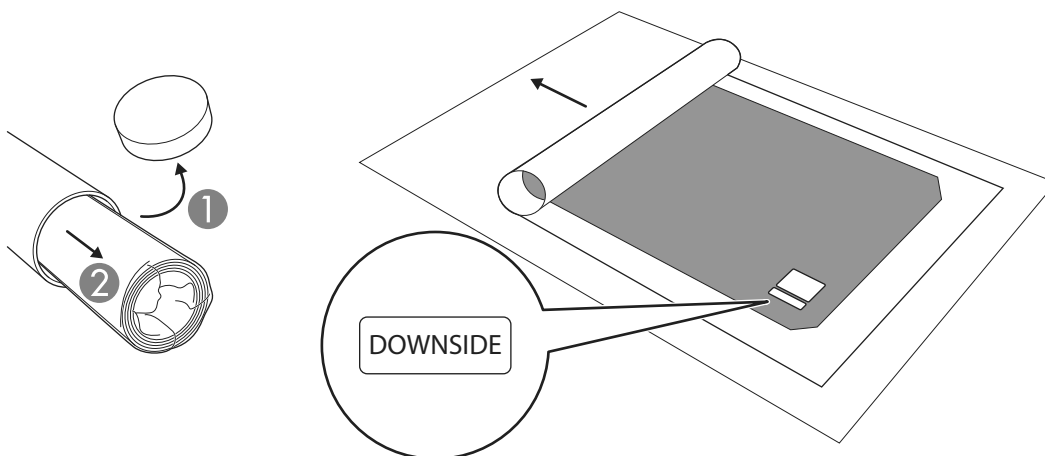
☛ "Fixe o ecrã à parede" Pág.15

Colocar a tela do ecrã na moldura

1

Estenda a tela do ecrã sobre a folha transparente

Utilize luvas de algodão (não incluídas) e estenda a tela do ecrã para que o papel que a envolve fique sob o ecrã. Tenha cuidado para não pisar ou sentar-se sobre a tela do ecrã.

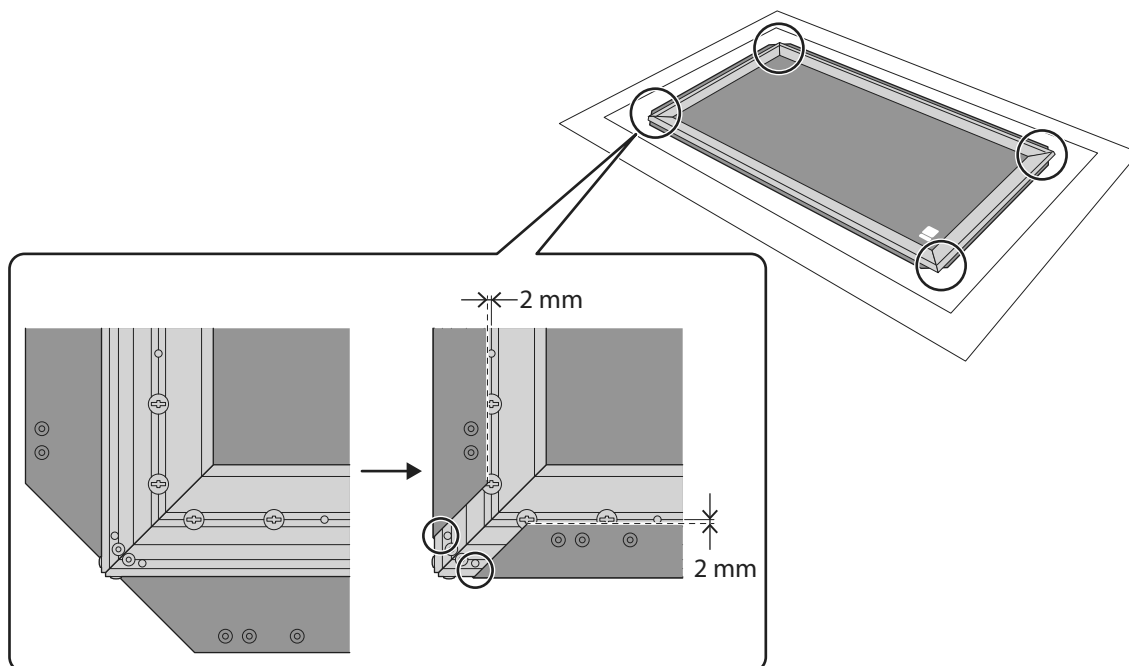


2

Coloque a moldura sobre a tela do ecrã

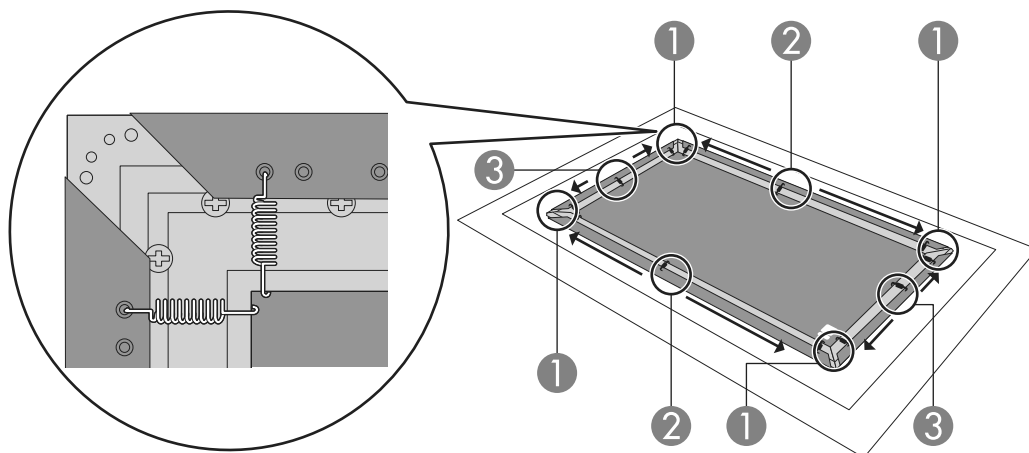
Coloque a moldura no centro da tela do ecrã com o lado com os orifícios dos parafusos voltado para cima. Dobre a tela do ecrã cuidadosamente sobre a moldura e verifique os dois pontos seguintes para ajustar a posição da moldura.

- As extremidades da tela do ecrã ficam alinhadas nos quatro cantos com as linhas tracejadas na imagem.
- Os orifícios dos parafusos (dois pontos) nos quatro cantos não ficam revestidos pela tela do ecrã.

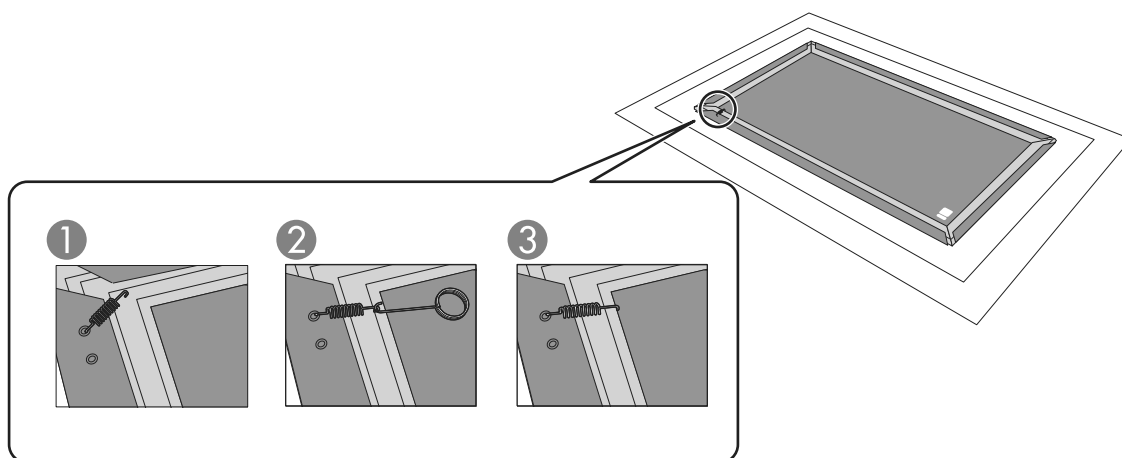


3 Utilize as molas para fixar a tela do ecrã à moldura

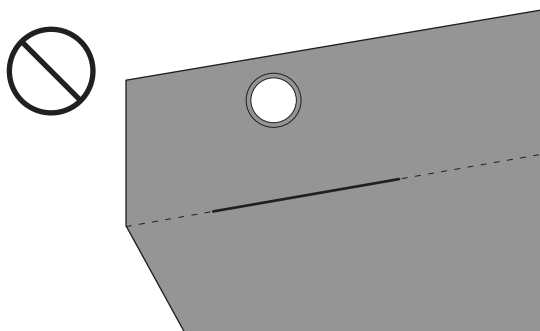
Fixe na ordem seguinte: os quatro cantos primeiro, depois o centro das laterais compridas, e, por fim, o centro das laterais mais curtas. Fixe o restante desde os centros até às extremidades.



Utilizando um dos ganchos incluídos, prenda uma extremidade da mola à tela do ecrã, e a outra extremidade à parte interior da moldura. Segure a moldura com firmeza, de modo a que não se mova ao prender as molas. Se a moldura ficar fora de posição, volte à etapa 2 e ajuste a posição da moldura.



Tenha cuidado para não dobrar ou vincar a tela do ecrã ao prender as molas.



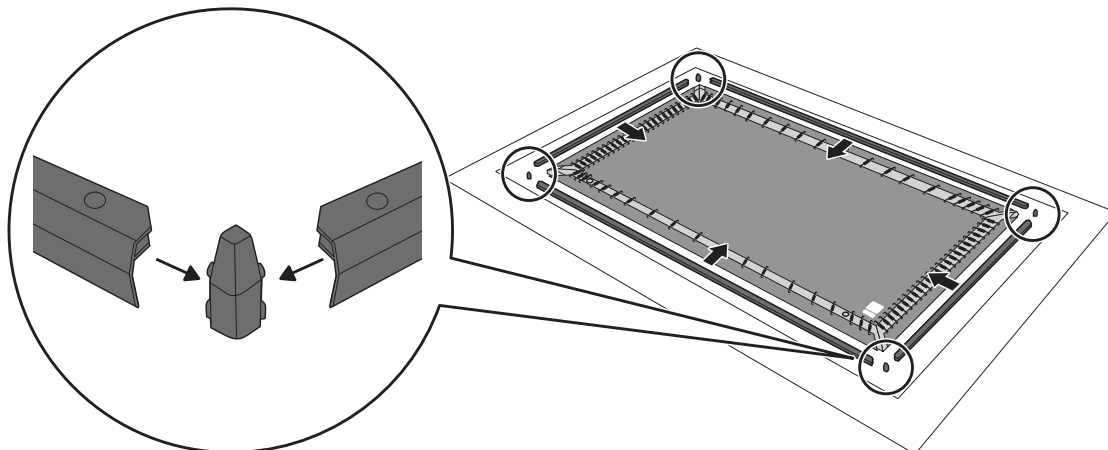
⚠ Atenção

Certifique-se de que fixa as molas usando os ganchos. Se fixar as molas com as mãos desprotegidas, os dedos podem ficar presos nas molas, causando lesões.

4

Fixe as extremidades da moldura e os protetores de canto à moldura

Fixe as guias da moldura com a moldura ligeiramente elevada e a lateral com os orifícios dos parafusos voltada para cima.

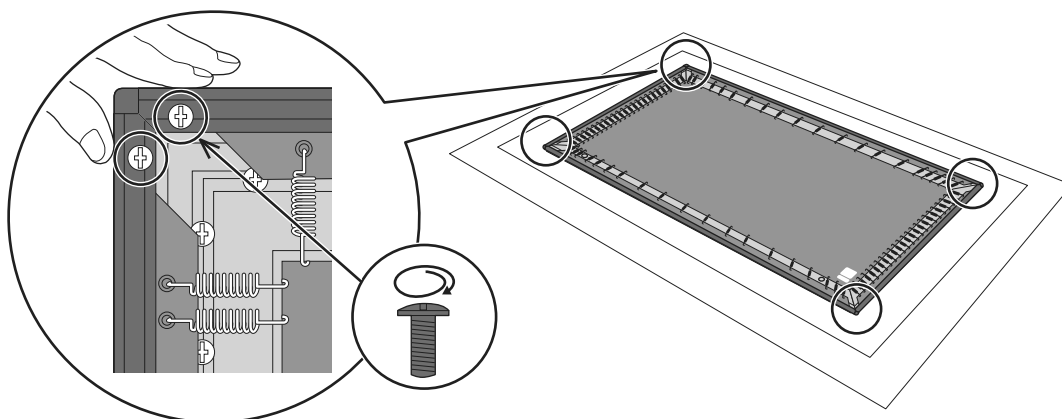


5

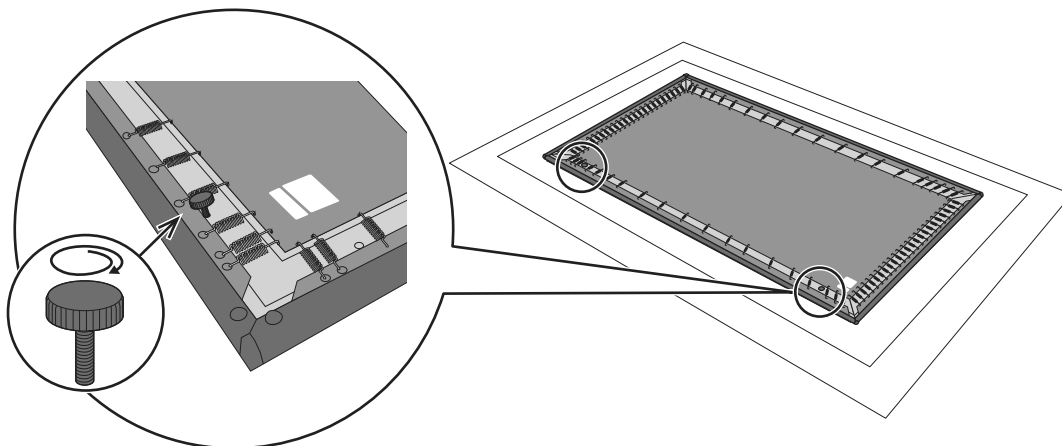
Fixe as extremidades da moldura e os suportes em L

Fixe com os parafusos M5 x 15 mm fornecidos. (Dois pontos x 4)

Aperte os parafusos enquanto segura firmemente nas molduras, de modo a que os protetores de canto não se movam.



- 6** Instale os parafusos de ajuste de ângulo
- Fixe os orifícios dos parafusos na parte inferior da moldura (a extremidade identificada como "DOWNSIDE"). (Dois pontos)



■ Fixe o ecrã à parede

Consulte o *Manual do Utilizador* fornecido com o projetor para verificar o tamanho do ecrã e a distância de projeção quando decidir onde instalar o ecrã.

1 Determine a posição dos suportes

Consulte as dimensões na "Tabela de especificações".

☛ "Tabela de especificações" Pág.6

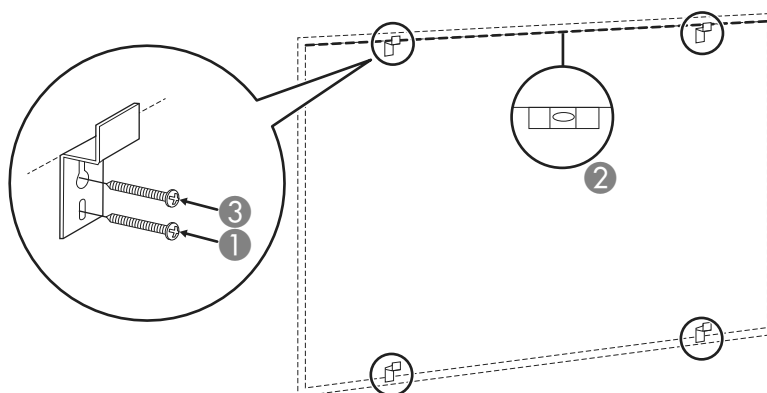
Instale os suportes de forma a que não fiquem em contacto com as molas na parte traseira do ecrã.

2 Fixe os suportes à parede

Utilize um nível para verificar se os suportes estão alinhados horizontalmente, e, em seguida, fixe os suportes à parede usando parafusos disponíveis comercialmente. (Dois pontos x 4)

Ao utilizar uma parede que não suporte parafusos, instale uma bucha disponível comercialmente.

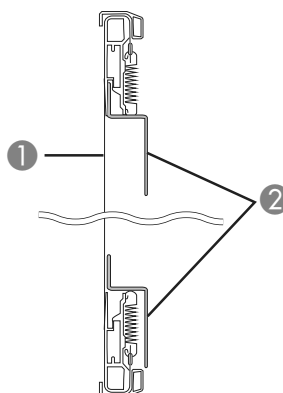
O cliente terá de contactar um especialista para determinar e obter antecipadamente os parafusos ou buchas necessários. ☛ Pág.4



Os dois suportes superiores seguram o ecrã.

Os dois suportes inferiores conferem um apoio adicional para evitar que o ecrã caia após a instalação.

* Imagem da secção transversal



① Superfície do ecrã

② Suportes de parede

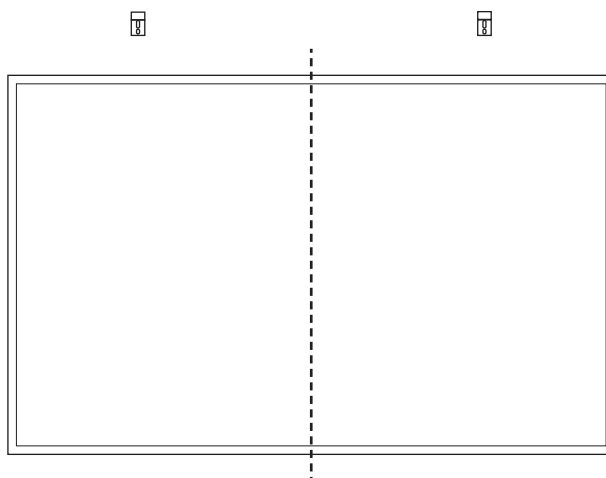
3

Mova o ecrã

Verifique primeiro as partes superior e inferior do ecrã. Certifique-se de que a extremidade identificada como "DOWNSIDE" se encontra na parte inferior traseira. Mova o ecrã e coloque a parte traseira contra a parede. Segure sempre na moldura pelas extremidades esquerda e direita ao mover o ecrã.



Ajuste a posição de forma a que o ponto central entre os suportes esquerdo e direito fiquem no centro do ecrã.



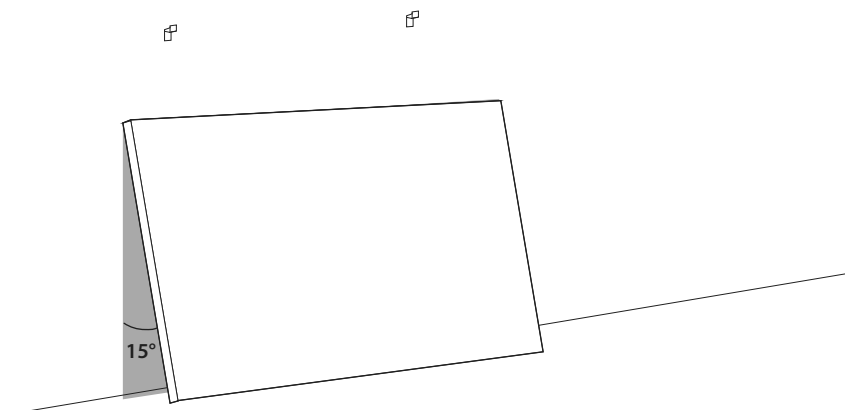
 **Atenção**

Se o ecrã estiver invertido, a qualidade da imagem será fraca.

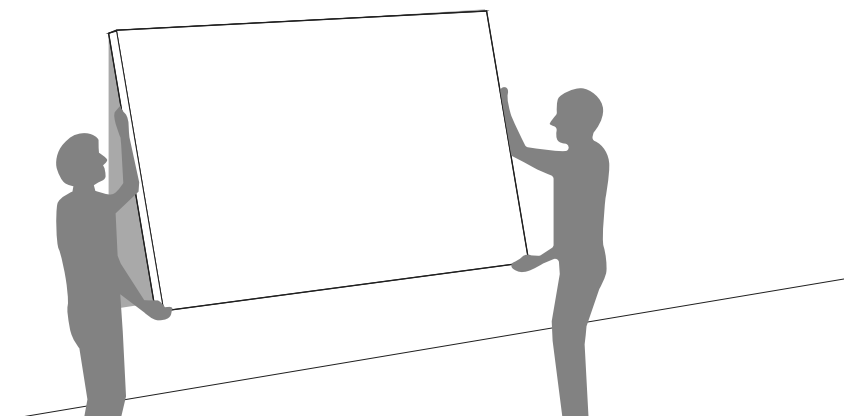
4

Fixe o ecrã aos suportes

Incline o ecrã aproximadamente 15° enquanto o encosta à parede.

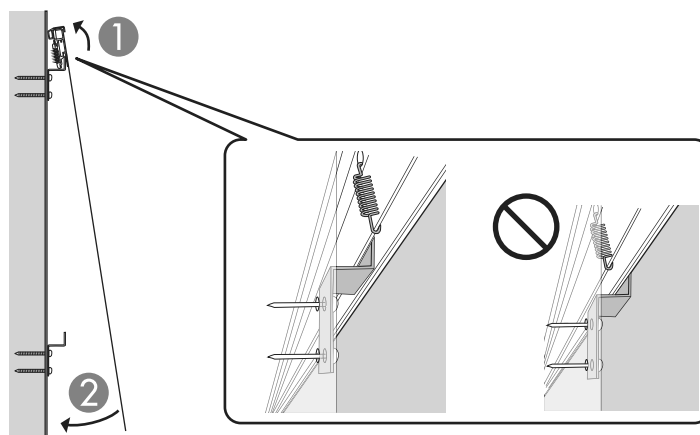


Eleve o ecrã enquanto mantém este ângulo.



Prenda os suportes na ranhura presente na parte superior do ecrã enquanto baixa o ecrã sobre os suportes.

* Vista lateral do ecrã



Certifique-se de que os suportes estão firmemente presos na ranhura do ecrã e que não estão em contacto com as molas na parte traseira do ecrã, e, em seguida, baixe a extremidade traseira do ecrã contra a parede.

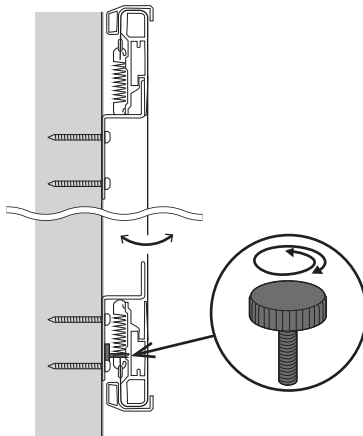


Se aparecerem sombras no ecrã ao projetar imagens, o ecrã poderá não estar corretamente colocado nos suportes. Remova o ecrã e tente novamente.

5

Por fim, ajuste o ângulo do ecrã

Vire os parafusos de ajuste de ângulo para a esquerda e para a direita até que o ecrã esteja reto quando olha para ele pela lateral.



Se a imagem projetada estiver distorcida, poderá conseguir corrigir a distorção ajustando o ângulo do ecrã usando os parafusos de ajuste de ângulo.

© 2020 Seiko Epson Corporation

EPSON[®]
EXCEED YOUR VISION

Printed in China



413914700