

Frigidaire



Double Wall Oven

30" Double Electric Wall Oven with Fan Convection

FCWD3027AS, FCWD3027AW, FCWD3027AB, FCWD3027AD

Available Colors : Stainless Steel, White, Black, Black Stainless Steel

Version : 08/21

Cooking Controls

Bake	Yes
Bake Time	Yes
Broil	Yes
Cancel	Yes
Clock	Yes
Convection Bake	Yes
Cook Time	Yes
Delay Start	Yes
Keep Warm	Yes
Kitchen Timer	Yes
Light	Yes
Off	Yes
Oven Light	Yes
Preheat	Yes
Self Clean	Yes
Start	Yes
Temperature Display	Yes
Timer On / Off	Yes

Cooking Controls Function

Change between Continuous Bake Setting or 12-Hour Energy Saving Feature	Yes
Program Fahrenheit or Celsius	Yes
Silent Control Panel	Yes

Oven

Bake Element	2,500 Watts
Bake Element Pass	4
Bake Element Type	Hidden
Broil Element	4,000 Watts
Broil Element Pass	6
Broil System	Yes
Cleaning System	Yes
Convection	Yes
Convection Type	Fan
Number of Convection Fans	1

Number of Rack Positions	6
Oven Interior Color	Midnight Black
Oven Light Quantity	1
Oven Light Type	Halogen
Oven Light Watts	40 Watts
Rack Position Type	Embossed
Rack Type 1	Flat
Rack Type 1 Quantity	4

Controls

Control Lock	Yes
Sabbath Mode	Yes

Display

Control Location	Front
Display Interface Color	White
Display Light Color	White
Display Type	Capacitive Touch

Dimensions and Volume

Height	50 3/4"
Width	29 7/8"
Depth	25 3/16"
Depth With Door 90° Open	48 3/16"
Depth With Handle	27 6/10"
Lower Oven Interior Height	18 1/8"
Lower Oven Interior Width	25 2/10"
Lower Oven Interior Depth	19 7/8"
Upper Oven Interior Height	18 1/8"
Upper Oven Interior Width	25 2/10"
Upper Oven Interior Depth	19 7/8"
Minimum Cutout Height	48 7/8"
Minimum Cutout Width	28 1/2"
Maximum Cutout Height	50 1/4"
Maximum Cutout Width	29"
Oven Lower Capacity	5.3 Cu. Ft.

Note: For planning purposes only. Always consult local and national electric, gas and plumbing codes.

Refer to Product Installation Guide for detailed installation instructions on the web at frigidaire.com / frigidaire.ca

Specifications subject to change. Accessories information available on the web at frigidaire.com / frigidaire.ca

Frigidaire

30" Double Electric Wall Oven with Fan Convection

FCWD3027AS, FCWD3027AW, FCWD3027AB,
FCWD3027AD

Version : 08/21

Oven Upper Capacity	5.3 Cu. Ft.
Total Capacity	10.6 Cu. Ft.

Electrical Specifications

Connected Load @ 240V	7.4 kW
Voltage Rating	240 V

Installation

Power Supply Connection Location	Top Left
----------------------------------	----------

General Specifications

Prop 65 Label	Yes
Warranty - Labor	1 Year
Warranty - Parts	1 Year
Frigidaire Fit Promise	Yes

Safety Certifications and Approvals

CSA Listed	Yes
UL Listed	Yes
RoHS	Yes

Note: For planning purposes only. Always consult local and national electric, gas and plumbing codes.

Refer to Product Installation Guide for detailed installation instructions on the web at frigidaire.com / frigidaire.ca

Specifications subject to change. Accessories information available on the web at frigidaire.com / frigidaire.ca

USA • 10200 David Taylor Drive • Charlotte, NC 28262 • 1-800-FRIGIDAIRE • frigidaire.com

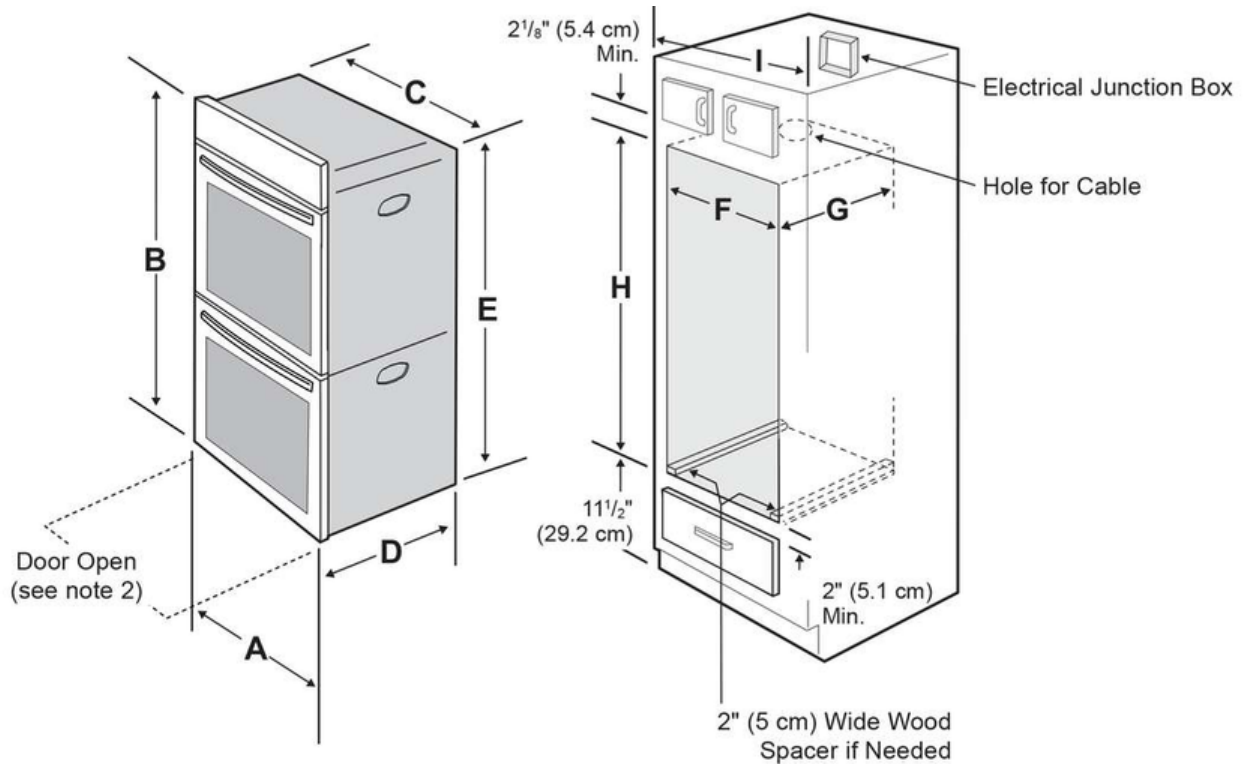
CANADA • 5855 Terry Fox Way • Mississauga, ON L5V 3E4 • 1-800-265-8352 • frigidaire.ca

Frigidaire

30" Double Electric Wall Oven with Fan Convection

FCWD3027AS, FCWD3027AW, FCWD3027AB, FCWD3027AD

Version : 08/21



NOTES:

1. Allow at least 23" (58.4 cm) clearance in front of oven for door depth when it is open.
2. Dimension G (cutout depth) is critical to the proper installation of the built-in oven. If the oven trim does not butt against the cabinet, or if noise is heard on convection models, verify dimension G to assure it is according to the required dimension.
3. For a cutout height greater than the maximum (H), add one 2" (5 cm) wide wood shim of appropriate height to each side of the opening under the appliance side rails. A trim kit may be purchased through a dealer, service, or on the brand website.

PRODUCT DIMENSIONS					
A	B	C	D		E
29 ⁷ / ₈ (75.9 cm)	50 ³ / ₄ (128.9 cm)	28 ⁷ / ₁₆ (72.2 cm)	25 ³ / ₁₆ (63.9 cm)		48 ⁷ / ₈ (124.1 cm)
CUTOUT DIMENSIONS AND CABINET WIDTH					
F		G	H. Standard Height (*Others, see note 3)		I
Min.	Max.	Min.	Min.	Max.	
28 ¹ / ₂ (72.4 cm)	29 (73.7 cm)	23 ¹ / ₂ (59.7 cm)	48 ⁷ / ₈ (124.1 cm)	50 ¹ / ₄ (127.6 cm)	30 ¹ / ₈ (76.5 cm) Min

Note: For planning purposes only. Always consult local and national electric, gas and plumbing codes.

Refer to Product Installation Guide for detailed installation instructions on the web at frigidaire.com / frigidaire.ca

Specifications subject to change. Accessories information available on the web at frigidaire.com / frigidaire.ca

USA • 10200 David Taylor Drive • Charlotte, NC 28262 • 1-800-FRIGIDAIRE • frigidaire.com

CANADA • 5855 Terry Fox Way • Mississauga, ON L5V 3E4 • 1-800-265-8352 • frigidaire.ca