



# 5.2 cu. ft. Undercounter Beverage Center

WUB50X24H



Fingerprint-Resistant Stainless  
WUB50X24HZ

## Capacity

Total Capacity 5.2 cu. ft

## General Features & Properties

Reversible Glass Door

Temperature Sensor Alert

Fingerprint Resistant

Electronic Temperature Controls

## Electrical Details

Amps 15 or 20

Volts 115

## Certifications

ENERGY STAR® Certified Yes

## Technical Details

Refrigerator Type Undercounter

Number of Shelves 1 Adjustable, 1 Fixed

Number of Racks 2

Lighting Type LED

Control Location Center Divider

Installation Option Freestanding or Built-In

## Dimensions

Product Dimensions (H x W x D) 34-1/2" x 23-15/16" x 25-5/8"

Depth with Door Open 90° 46-1/4"

Cutout Dimensions (H x W) 34-1/2" x 24"

## Reference Material


[Dimension Guide](#)

[Use & Care Guide](#)

[Energy Guide](#)

[Warranty](#)

### Also available in:

-  Fingerprint-Resistant Black Stainless **WUB50X24HV**

## Key Features & Benefits

### LED Interior Lighting

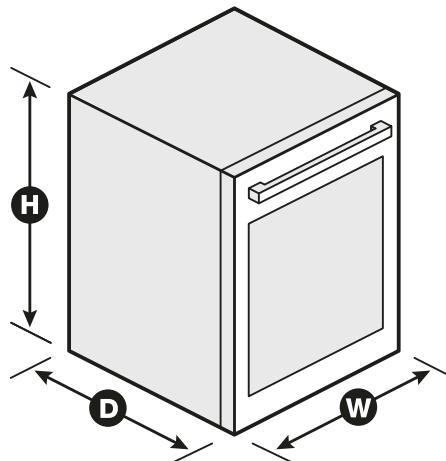
Keep drinks looking as good as they taste. Light is cast inside so everything looks like it's supposed to.

### Wine Storage

Conveniently store up to 14 bottles of wine in a designated area.

### Dual-Temperature Controlled Zone

Customize up to two different temperatures to accommodate whatever beverages you're storing.



NOTE: Dimensions are for planning purposes only. For complete details, see Installation Instructions packed with product. Specifications subject to change without notice.

®/™ © 2020. All rights reserved. Printed in the U.S.A. D200052XXC. WUB50X24HSPECSHEETV01.