

24" (65 CM), 30" (78.2 CM) AND 36" (92.2 CM) ELECTRIC INDUCTION COOKTOP INSTALLATION INSTRUCTIONS

INSTRUCTIONS D'INSTALLATION DE LA TABLE DE CUISSON ÉLECTRIQUE À INDUCTION DE 24 PO (65 CM), 30 PO (78,2 CM) ET 36 PO (92,2 CM)

INSTRUCCIONES DE INSTALACIÓN DE LA SUPERFICIE DE COCCIÓN POR INDUCCIÓN ELÉCTRICA DE 24" (65 CM), 30" (78,2 CM) Y 36" (92,2 CM)

Table of Contents / Table des matières / Índice

COOKTOP SAFETY 2	SÉCURITÉ DE LA TABLE DE CUISSON .. 10	SEGURIDAD DE LA SUPERFICIE DE COCCIÓN 18
INSTALLATION REQUIREMENTS 3	EXIGENCES D'INSTALLATION 11	REQUISITOS DE INSTALACIÓN 19
Tools and Parts..... 3	Outils et pièces..... 11	Herramientas y piezas..... 19
Location Requirements 3	Exigences d'emplacement..... 11	Requisitos de ubicación..... 19
Electrical Requirements 5	Spécifications électriques 13	Requisitos eléctricos 21
INSTALLATION INSTRUCTIONS 6	INSTRUCTIONS D'INSTALLATION 14	INSTRUCCIONES DE INSTALACIÓN 22
Prepare Location 6	Préparation de l'emplacement..... 14	Preparación de la ubicación 22
Install Brackets..... 6	Installation des supports..... 14	Instalación de los soportes 22
Install Cooktop 7	Installation de la table de cuisson..... 15	Instalación de la superficie de cocción.. 23
Make Electrical Connection 8	Raccordement électrique..... 16	Cómo hacer la conexión eléctrica 24
Complete Installation 9	Terminer l'installation..... 17	Finalización de la instalación 25

**IMPORTANT: READ AND SAVE THESE INSTRUCTIONS.
FOR RESIDENTIAL USE ONLY.**

**IMPORTANT : LIRE ET CONSERVER CES INSTRUCTIONS.
POUR UTILISATION RÉSIDENIELLE UNIQUEMENT.**

**IMPORTANTE: LEA Y GUARDE ESTAS INSTRUCCIONES.
SOLO PARA USO RESIDENCIAL.**

COOKTOP SAFETY

Your safety and the safety of others are very important.

We have provided many important safety messages in this manual and on your appliance. Always read and obey all safety messages.



This is the safety alert symbol.

This symbol alerts you to potential hazards that can kill or hurt you and others.

All safety messages will follow the safety alert symbol and either the word "DANGER" or "WARNING."

These words mean:

⚠ DANGER

You can be killed or seriously injured if you don't immediately follow instructions.

⚠ WARNING

You can be killed or seriously injured if you don't follow instructions.

All safety messages will tell you what the potential hazard is, tell you how to reduce the chance of injury, and tell you what can happen if the instructions are not followed.

INSTALLATION REQUIREMENTS

Tools and Parts

Gather the required tools and parts before starting installation. Read and follow the instructions provided with any tools listed here.

Tools Needed

- Tape measure
- Flat-blade screwdriver
- Phillips head screwdriver
- Hand or electric drill
- Level
- Marker or pencil
- Pliers
- 1/4" drill bit
- Jigsaw

Parts Supplied

- Brackets (2)
- #6 x 3/4" (1.9 cm) clamping screws (4)
- #8 x 3/8" (9.5 mm) sheet metal screws (6 screws for 24" [65 cm] models, and 7 screws for 30" [78.2 cm] and 36" [92.2 cm] models)

Parts Needed

- A UL listed or CSA approved strain relief
- UL listed wire connectors
- A UL approved junction box or 240 V outlet
- Cooktop Bracket Adhesive Kit Part Number W11279478 if installing the cooktop into a marble countertop. See the "Assistance or Service" section of the Use and Care Guide for information on ordering.

Check local codes. Check existing electrical supply. See "Electrical Requirements".

It is recommended that all electrical connections be made by a licensed, qualified electrical installer.

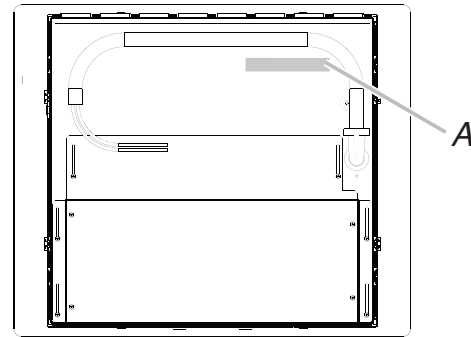
Location Requirements

Make sure you have everything needed for correct installation. It is the responsibility of the installer to comply with the installation clearances specified in these instructions.

IMPORTANT: Observe all governing codes and ordinances. When installing cooktop, use minimum dimensions given.

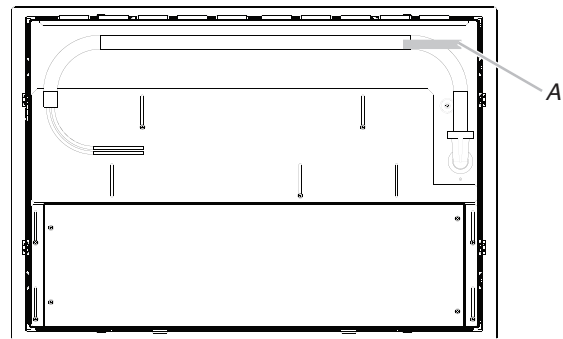
- To eliminate the risk of burns or fire by reaching over the heated surface units, cabinet storage space located above the surface units should be avoided. If cabinet storage is to be provided, the risk can be reduced by installing a range hood that projects horizontally a minimum of 5" (12.7 cm) beyond the bottom of the cabinets.
- It is the installer's responsibility to comply with installation clearances specified on the model/serial rating plate. The model/serial rating plate is located on the underside of the cooktop burner box.

24" (65 cm) cooktop model/serial rating plate location



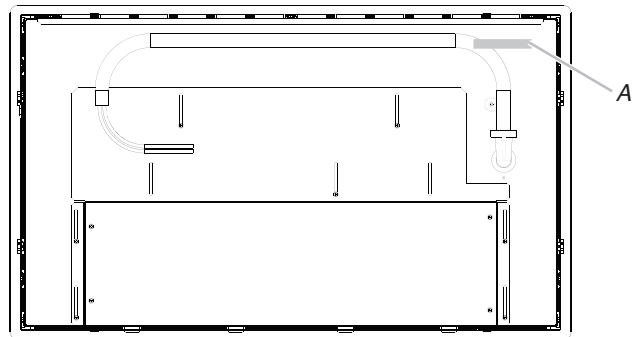
A. Model/serial rating plate location

30" (78.2 cm) cooktop model/serial rating plate location



A. Model/serial rating plate location

36" (92.2 cm) cooktop model/serial rating plate location

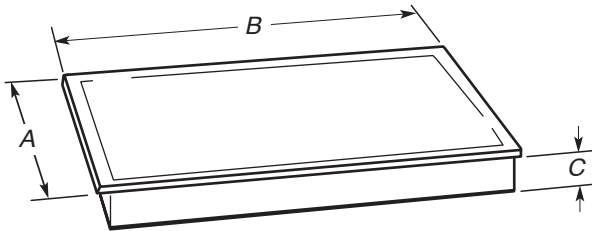


A. Model/serial rating plate location

- Check the cooktop base for an approved installation label. Verify approved oven model numbers that can be installed with your cooktop model number. If you do not find this label, your cooktop may not be approved for use over an undercounter built-in oven. Contact your dealer to confirm that your cooktop is approved.
- Ovens approved for this type of installation will have an approval label located on the top of the oven. If you do not find this label, contact your dealer to confirm that your oven is approved. Refer to oven manufacturer's Installation Instructions for approval for built-in undercounter use and proper cutout dimensions.

- When installing cooktop over an undercounter built-in oven, do not fasten cooktop to countertop with clamps or seal cooktop to countertop. This will make the cooktop easier to remove if future servicing becomes necessary.
- Use the countertop opening dimensions that are given with these Installation Instructions. Given dimensions are minimum clearances and provide 0" (0 cm) clearance.
- Grounded electrical supply is required. See "Electrical Requirements" section.

Product Dimensions



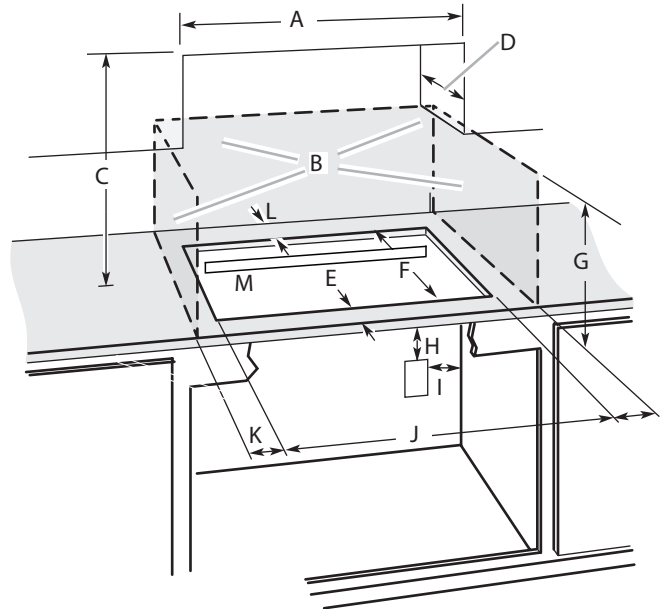
Model	A	B	C
24"	21 ⁵ / ₁₆ " (54.1 cm)	25 ⁵ / ₈ " (65 cm)	3 ¹¹ / ₁₆ " (9.4 cm)
30"	21 ⁵ / ₁₆ " (54.1 cm)	30 ³ / ₄ " (78.2 cm)	3 ¹¹ / ₁₆ " (9.4 cm)
36"	21 ⁵ / ₁₆ " (54.1 cm)	36 ⁵ / ₁₆ " (92.2 cm)	3 ¹¹ / ₁₆ " (9.4 cm)

With frame:

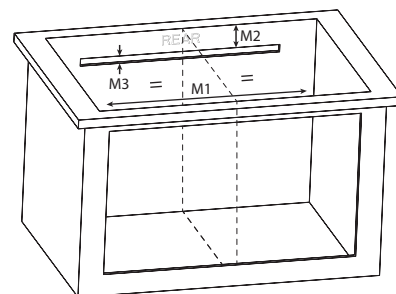
Model	A	B	C	
30"	KitchenAid	21 ¹¹ / ₁₆ " (55.1 cm)	31 ¹ / ₈ " (79.1 cm)	3 ⁹ / ₁₆ " (9.0 cm)
	Whirlpool	22" (55.9 cm)	30 ¹³ / ₁₆ " (78.2 cm)	3 ⁹ / ₁₆ " (9.1 cm)
36"	KitchenAid	21 ¹¹ / ₁₆ " (55.1 cm)	36 ¹¹ / ₁₆ " (93.15 cm)	3 ⁹ / ₁₆ " (9.0 cm)
	Whirlpool	-	-	-

Cabinet Dimensions

IMPORTANT: If installing a range hood or microwave hood combination above the range, follow the range hood or microwave hood combination installation instructions for dimensional clearances above the cooktop surface.



- A. 24" (65 cm) on 24" models, 30" (78.2 cm) on 30" models, 36" (92.2 cm) on 36" models
- B. Combustible area above countertop (shown by dashed box above)
- C. 30" (78.2 cm) minimum clearance between top of cooktop platform and bottom of uncovered wood or metal cabinet (24" [61 cm] minimum clearance if bottom of wood or metal cabinet is covered by not less than 1/4" [6.4 mm] flame retardant millboard covered with not less than No. 28 MSG sheet steel, 0.015" [0.04 cm] stainless steel, or 0.024" [0.06 cm] aluminum or 0.020" [0.05 cm] copper)
- D. 13" (33.0 cm) recommended upper cabinet depth
- E. 2" (5.1 cm)
- F. For details see the Table 1
- G. 18" (45.7 cm) minimum clearance from upper cabinet to countertop within minimum horizontal clearances to cooktop
- H. Junction box or outlet; 12" (30.5 cm) minimum from bottom of countertop
- I. Junction box or outlet; 10" (25.4 cm) from right-hand side of cabinet
- J. For details see the Table 1
- K. 1" (2.5 cm) minimum distance to nearest left and right side combustible surface above cooktop
- L. 1" (2.5 cm) minimum clearance between back wall and countertop
- M. **IMPORTANT:** For proper ventilation, provide a vent cut out in the back of the cabinet per the following illustration. For standard and flush installation make sure the cut out and its cut out for ventilation have their center line aligned.



Model	M1	M2	M2 (Flush)	M3
24"	19" (48.2 cm)	2 ⁹ / ₁₆ " (6.5 cm)	2 ¹³ / ₁₆ " (7.1 cm)	13/16" (2.1 cm)
30" and 36"	26 ³ / ₄ " (68 cm)	2 ⁹ / ₁₆ " (6.5 cm)	2 ¹³ / ₁₆ " (7.1 cm)	13/16" (2.1 cm)

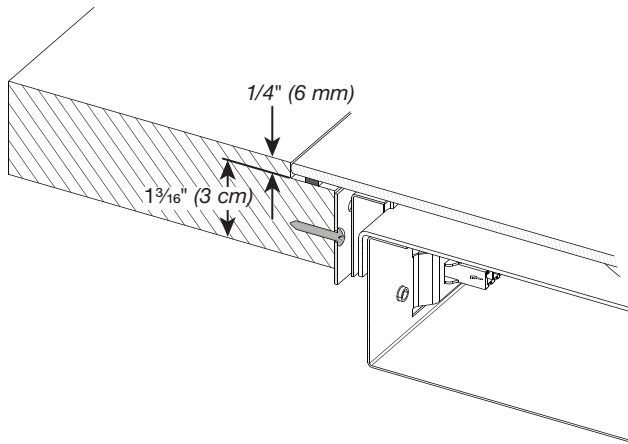
Table 1

Model	CUT OUT (range)	
	F	J
24"	20 ⁷ / ₁₆ " (51.9 cm)- 20 ³ / ₄ " (52.7 cm)	21 ¹³ / ₁₆ " (55.4 cm)- 21 ¹⁵ / ₁₆ " (55.7 cm)
30"	20 ⁷ / ₁₆ " (51.9 cm)- 20 ³ / ₄ " (52.7 cm)	29 ¹ / ₂ " (74.9 cm)- 29 ⁵ / ₈ " (75.2 cm)
36"	20 ⁷ / ₁₆ " (51.9 cm)- 20 ³ / ₄ " (52.7 cm)	35 ⁷ / ₁₆ " (90.0 cm)- 35 ⁹ / ₁₆ " (90.3 cm)

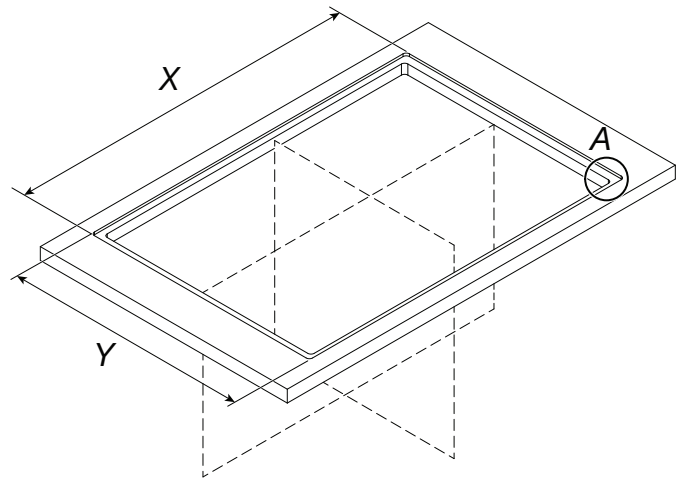
NOTE: After you make the countertop cutout, some installations may require notching down the base cabinet side walls to clear the cooktop base. To avoid this modification, use a base cabinet with sidewalls wider than the cutout.

If cabinet has a drawer, a 5¹/₈" (13 cm) depth clearance from the countertop to the top of the drawer (or other obstruction) in base cabinet is required.

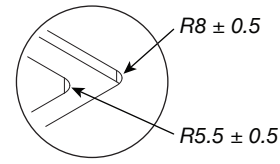
Flush Installation - Frameless



Model	X	Y
24"	25 ¹³ / ₁₆ " (65.5 cm)	21 ⁷ / ₁₆ " (54.5 cm)
30"	31" (78.7 cm)	21 ⁷ / ₁₆ " (54.5 cm)
36"	36 ¹ / ₂ " (92.7 cm)	21 ⁷ / ₁₆ " (54.5 cm)



Detail A



Glass radius 6 mm

Electrical Requirements

⚠ WARNING



Electrical Shock Hazard

Disconnect power before servicing.

Use 8 gauge copper wire.

Electrically ground cooktop.

Failure to follow these instructions can result in death, fire, or electrical shock.

If codes permit and a separate ground wire is used, it is recommended that a qualified electrical installer determine that the ground path and wire gauge are in accordance with local codes.

Check with a qualified electrical installer if you are not sure the cooktop is properly grounded.

It is not recommended to have a fuse in the neutral or ground circuit.

Make sure that the electrical connection and wire size are adequate and in conformance with the National Electrical Code, ANSI/NFPA 70-latest edition or CSA Standards C22.1-94, Canadian Electrical Code, Part 1 and C22.2 No.O-M91-latest edition, and all local codes and ordinances.

A copy of the above code standards can be obtained from:

National Fire Protection Association
1 Batterymarch Park
Quincy, MA 02169-7471

CSA International
8501 East Pleasant Valley Road
Cleveland, OH 44131-5575

Before You Make the Electrical Connection:

To properly install your cooktop, you must determine the type of electrical connection you will be using and follow the instructions provided for it here.

A 4-wire or 3-wire, single phase, 240 V, 60 Hz, AC only electrical supply is required on a separate, 50 A circuit (36" [92.2 cm] models), 40 A circuit (30" [78.2 cm] KitchenAid models) or 30 A circuit (24" [65 cm] and 30" [78.2 cm] Whirlpool models) fused on both sides of the line.

- The cooktop should be connected directly to the junction box through flexible, armored or nonmetallic sheathed, copper cable. The flexible, armored cable extending from the fuse box or circuit breaker box should be connected directly to the junction box.
- Locate the junction box to allow as much slack as possible between the junction box and the cooktop so that the cooktop can be moved if servicing becomes necessary in the future.

- Do not cut the conduit. The length of conduit provided is for serviceability of the cooktop.
- A UL listed or CSA approved conduit connector must be provided at each end of the power supply cable (at the cooktop and at the junction box). A listed conduit connector is already provided at the cooktop.
- If the house has aluminum wiring, follow the procedure below:
Connect the aluminum wiring using special connectors and/or tools designed and UL listed for joining copper to aluminum.

Follow the electrical connector manufacturer's recommended procedure. Aluminum/copper connection must conform with local codes and industry accepted wiring practices.

INSTALLATION INSTRUCTIONS

Prepare Location

1. Decide on the final location for the cooktop.

NOTE: Countertop must be 1 $\frac{3}{16}$ " (3.0 cm) to 2" (5.1 cm) thick.

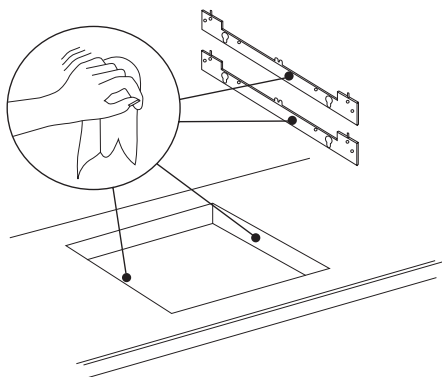
2. If necessary, make cutout in countertop before installing cooktop. See "Location Requirements" section for more information.
3. Clean cutout of any remaining dust and debris.

Install Brackets

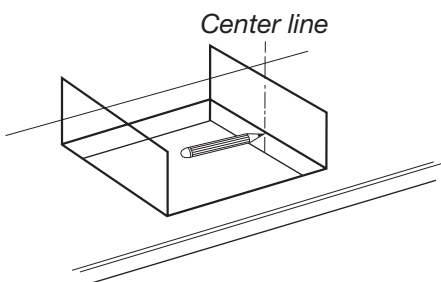
NOTE: Cooktop Bracket Adhesive Kit Part Number W11279478 is required for installing the cooktop into a marble countertop. See the "Assistance or Service" section of the Use and Care Guide for information on ordering.

To Install Brackets into Marble Countertop:

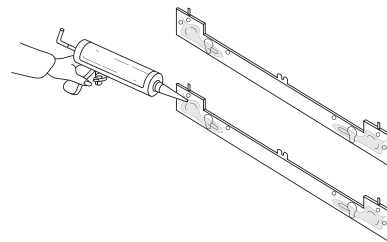
1. Clean the brackets and cooktop cutout of any dust and debris.



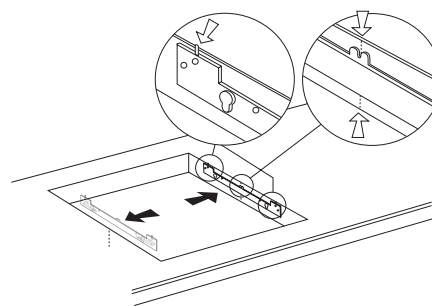
2. Measure the center line of the vertical sides of the cooktop cutout.



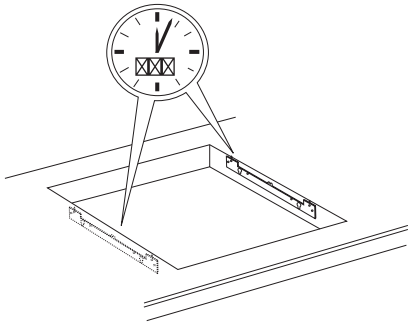
3. Apply the adhesive provided in the kit to the back side of the brackets.



4. Position brackets in the center of the vertical centerline and align the upper edge of the brackets so that they are flush with the countertop.

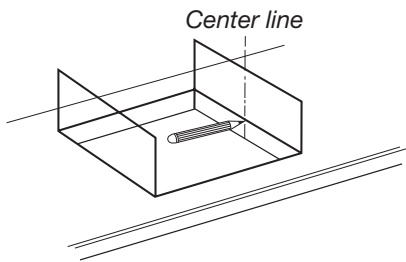


5. Push the brackets firmly onto each side of the cooktop cutout and wait 1 hour for adhesive to dry.

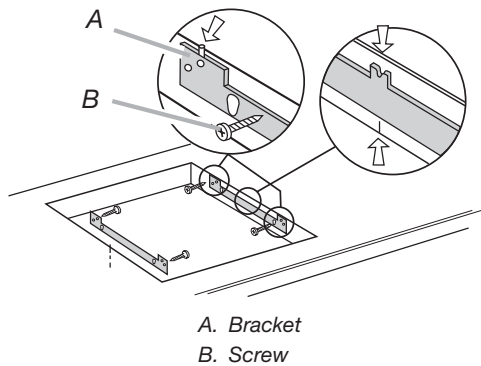


To Install Brackets into Wood Countertop:

1. Measure the center line of the vertical sides of the cooktop cutout.

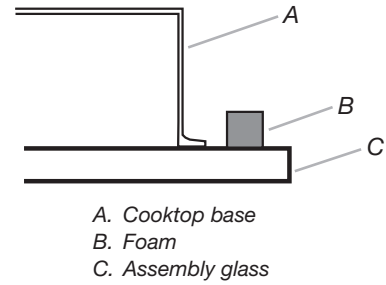


2. Position brackets in the center of the vertical centerline and align the upper edge of the brackets so that they are flush with the countertop.
3. Attach the brackets in the cutout with the screws provided.

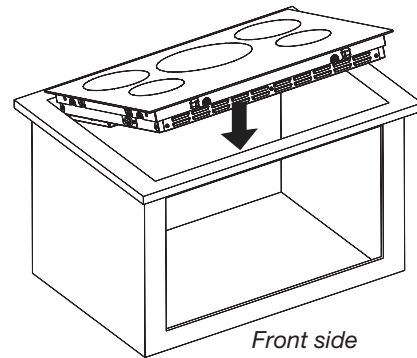


2. Optional - Remove the foam roll from the package containing literature. Apply foam adhesive-side down around the bottom of the cooktop glass.

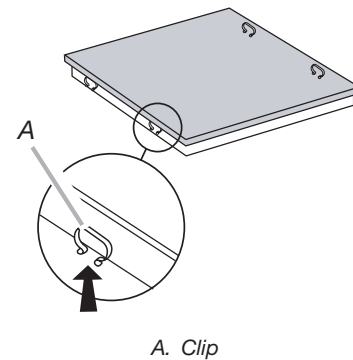
NOTE: The foam helps avoid damage to the underside of the cooktop glass from debris and helps the cooktop sit flat on uneven counters.



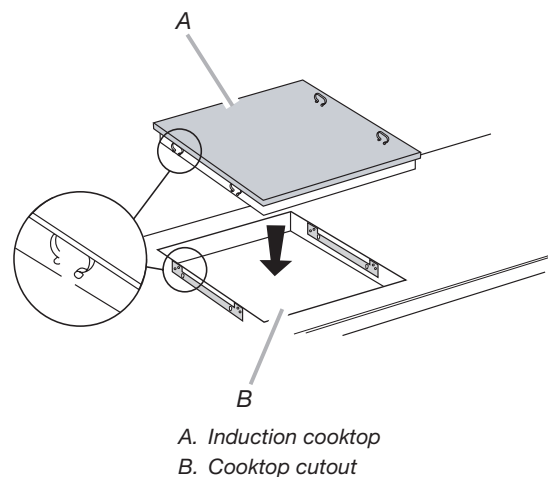
3. Lower the cooktop into the cutout with the back end of the cooktop angled down.



4. Make sure that the clips on each side of the cooktop line up with the brackets in the cutout.



5. Push down on cooktop to snap the cooktop clips onto the brackets installed in the cutout.



Install Cooktop

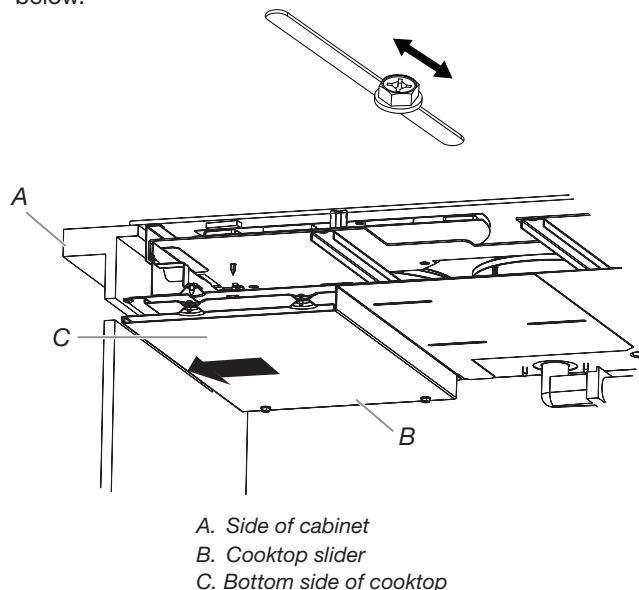
⚠ WARNING

Excessive Weight Hazard

**Use two or more people to move and install cooktop.
Failure to do so can result in back or other injury.**

1. Using 2 or more people, place the cooktop upside down on a covered surface using the foam end posts from the packaging.

- On the underside of the cooktop, loosen only the 6 screws for 24" (65 cm) models and 7 screws for 30" (78.2 cm) and 36" (92.2 cm) models on the slider indicated in the image below.



- Push the duct slider toward the side of the cabinet until the slider and cabinet touch.
- Tighten the screws on the slider.

Make Electrical Connection

⚠ WARNING



Electrical Shock Hazard

Disconnect power before servicing.

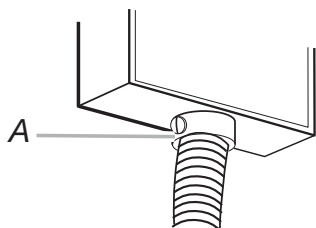
Use 8 gauge copper wire.

Electrically ground cooktop.

Failure to follow these instructions can result in death, fire, or electrical shock.

This cooktop is manufactured with a frame-connected, green (or bare) ground wire.

- Disconnect power.
- Remove junction box cover if it is present.
- Connect the flexible cable conduit from the cooktop to the junction box using a UL listed or CSA approved conduit connector.



A. UL listed or CSA approved conduit connector

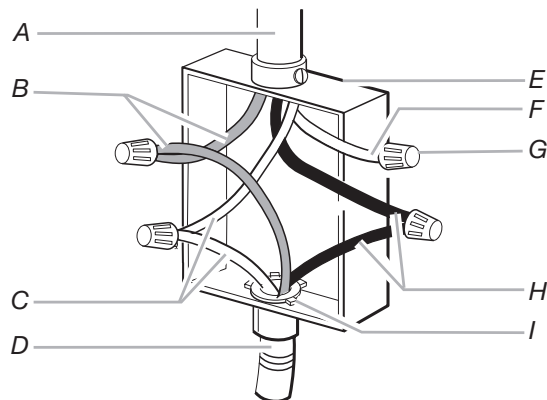
- Tighten screws on conduit connector if present.
- See "Electrical Connection Options Chart" to complete installation for your type of electrical connection.

Electrical Connection Options Chart

If your home has:	Go to section:
4-wire	4-Wire Cable from Home Power Supply
3-wire	3-Wire Cable from Home Power Supply

4-Wire Cable from Home Power Supply

IMPORTANT: Use the 4-wire cable from home power supply in the U.S.A where local codes do not allow grounding through neutral, New Branch circuit installations (1996 NEC), mobile homes and recreational vehicles, new construction, and in Canada.

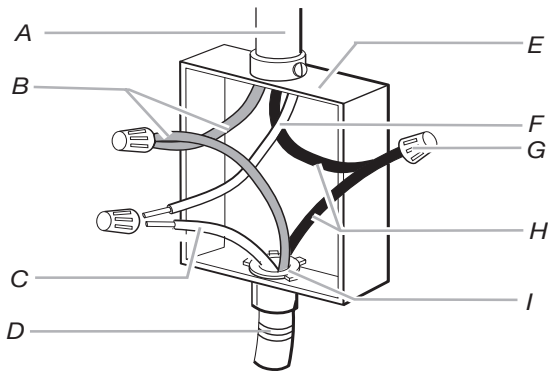


- A. Cable from home power supply
B. Red wires
C. Green (or bare) ground wires
D. 3-wire cable from cooktop
E. Junction box
F. White wire (from home power supply)
G. UL listed wire connector
H. Black wires
I. UL listed or CSA approved conduit connector with wire bushing

- Connect the 2 red wires (B) together using a UL listed wire connector.
- Connect the green (or bare) ground wire (C) from the cooktop cable to the green (or bare) ground wire (in the junction box) using a UL listed wire connector.
- Put a UL listed wire connector on the end of the white wire (F).
NOTE: Do not connect the green (or bare) ground wire to the neutral (white) wire in the junction box.
- Connect the 2 black wires (H) together using a UL listed wire connector.
- Install junction box cover.

3-Wire Cable from Home Power Supply - U.S.A Only

IMPORTANT: Use the 3-wire cable from home power supply where local codes permit a 3-wire connection.



- | | |
|--|--|
| A. Cable from home power supply | F. White wire (from home power supply) |
| B. Red wires | G. UL listed wire connector |
| C. Green (or bare) ground wires from cooktop | H. Black wires |
| D. 3-wire cable from cooktop | I. UL listed or CSA approved conduit connector with wire bushing |
| E. Junction box | |

1. Connect the 2 red wires (B) together using a UL listed wire connector.
2. Connect the green (or bare) cooktop cable wire (C) to the white (neutral) wire (F) in the junction box using a UL listed wire connector.
3. Connect the 2 black wires (H) together using a UL listed wire connector.
4. Install junction box cover.

Complete Installation

1. Check that all parts are now installed. If there is an extra part, go back through the steps to see which step was skipped.
2. Check that you have all your tools.
3. Dispose of/recycle all packaging materials.
4. Use a mild solution of liquid household cleaner and warm water to clean cooktop before use. Dry thoroughly with a soft cloth. For more information, see the "Cooktop Care" section of the Use and Care Guide.
5. Read "Cooktop Use" in the cooktop Use and Care Guide.
6. Reconnect power.

NOTE: If the cooktop does not work after turning on the power, check that a circuit breaker has not tripped or a household fuse has not blown. See "Troubleshooting" section in the Use and Care Guide for further information.

If you need Assistance or Service:

Please refer the "Assistance or Service" section of the Use and Care Guide or contact the dealer from whom you purchased your cooktop.

SÉCURITÉ DE LA TABLE DE CUISSON

Votre sécurité et celle des autres est très importante.

Nous donnons de nombreux messages de sécurité importants dans ce manuel et sur votre appareil ménager. Assurez-vous de toujours lire tous les messages de sécurité et de vous y conformer.



Voici le symbole d'alerte de sécurité.

Ce symbole d'alerte de sécurité vous signale les dangers potentiels de décès et de blessures graves à vous et à d'autres.

Tous les messages de sécurité suivront le symbole d'alerte de sécurité et le mot "DANGER" ou "AVERTISSEMENT". Ces mots signifient :

! DANGER

Risque possible de décès ou de blessure grave si vous ne suivez pas immédiatement les instructions.

! AVERTISSEMENT

Risque possible de décès ou de blessure grave si vous ne suivez pas les instructions.

Tous les messages de sécurité vous diront quel est le danger potentiel et vous disent comment réduire le risque de blessure et ce qui peut se produire en cas de non-respect des instructions.

EXIGENCES D'INSTALLATION

Outils et pièces

Rassembler les outils et pièces nécessaires avant d'entreprendre l'installation. Lire et observer les instructions fournies avec chacun des outils de la liste ci-dessous.

Outils nécessaires

- Ruban à mesurer
- Niveau
- Tournevis à tête plate
- Marqueur ou crayon
- Tournevis cruciforme
- Pince
- Perceuse manuelle ou électrique
- Foret de 1/4 po
- Scie sauteuse

Pièces fournies

- Brides (2)
- (4) vis de fixation n°6 x 3/4 po (1,9 cm)
- Vis de tôlerie n°8 x 3/8 po (9,5 mm) (6 vis pour les modèles de 24 po [65 cm] et 7 vis pour les modèles de 30 po [78,2 cm] et 36 po [92,2 cm])

Pièces nécessaires

- Serre-câble (homologation UL ou CSA)
- Connecteurs de fils (homologation UL)
- Boîtier de connexion ou prise de 240 V homologué(e) UL
- Ensemble adhésif du support de table de cuisson, pièce numéro W11279478 pour installation de la table de cuisson dans un plan de travail en marbre. Voir la section « Assistance ou service » dans le Guide d'utilisation et d'entretien pour des renseignements sur le processus de commande.

Consulter les codes locaux. Vérifier l'alimentation électrique existante. Consulter les « Spécifications électriques ».

Il est recommandé de faire réaliser tous les raccordements électriques par un électricien qualifié agréé.

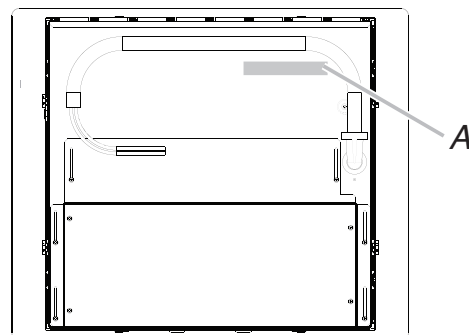
Exigences d'emplacement

S'assurer d'avoir tout le nécessaire pour une installation convenable. C'est à l'installateur qu'incombe la responsabilité de se conformer aux dégagements de séparation spécifiés dans ces instructions.

IMPORTANT : observer les dispositions de tous les codes et règlements en vigueur. Lors de l'installation de la table de cuisson, utiliser les dimensions minimales indiquées.

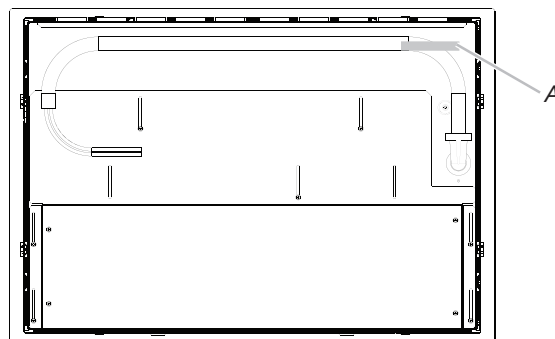
- Pour éliminer les risques de brûlure ou d'incendie en se penchant au-dessus d'une surface qui chauffe, il est déconseillé d'utiliser l'espace de rangement des armoires situées au-dessus de l'appareil. Si des armoires de rangement sont prévues, le risque peut être réduit par l'installation d'une hotte de cuisinière dépassant horizontalement de 5 po (12,7 cm) au moins par rapport au bas des armoires.
- C'est à l'installateur qu'incombe la responsabilité de respecter les distances de séparation spécifiées sur la plaque signalétique. La plaque signalétique des numéros de modèle et de série est située sur la face inférieure de la boîte de brûleur de la table de cuisson.

Emplacement de la plaque signalétique de la table de cuisson de 24 po (65 cm)



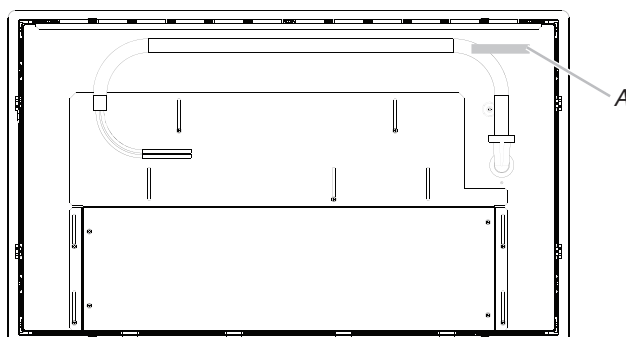
A. Emplacement de la plaque signalétique

Emplacement de la plaque signalétique de la table de cuisson de 30 po (78,2 cm)



A. Emplacement de la plaque signalétique

Emplacement de la plaque signalétique de la table de cuisson de 36 po (92,2 cm)

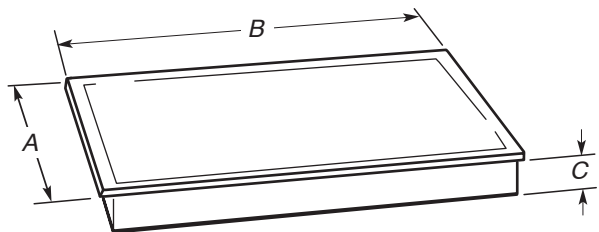


A. Emplacement de la plaque signalétique

- Vérifier que la base de la table de cuisson comporte une étiquette d'installation approuvée. Vérifier les numéros de modèles de four approuvés qui peuvent être installés avec votre numéro de modèle de table de cuisson. Si vous ne trouvez pas cette étiquette, il se peut que votre table de cuisson ne soit pas approuvée pour une utilisation au-dessus d'un four encastré sous comptoir. Contacter le marchand pour confirmer que votre table de cuisson est bien approuvée.
- Les fours homologués pour ce type d'installation comportent une étiquette d'homologation placée sur le dessus du four. Si vous ne trouvez pas cette étiquette, contactez votre marchand pour confirmer que le four est bien approuvé. Consulter les instructions d'installation du fabricant du four pour obtenir l'approbation de l'utilisation en encastrement et les dimensions correctes.

- Lors de l'installation de la table de cuisson sur un four encastré sous comptoir, ne pas fixer la table de cuisson au comptoir avec des brides, ni sceller la table de cuisson au plan de travail. Ceci facilitera la dépose de la table de cuisson plus tard en cas de nécessité de réparation.
- Utiliser les dimensions d'ouverture du comptoir qui sont indiquées dans ces instructions d'installation. Les dimensions données sont les espacements minimaux et fournissent un dégagement de 0 po (0 cm).
- Une source d'électricité avec liaison à la terre est nécessaire. Voir la section « Spécifications électriques ».

Dimensions du produit



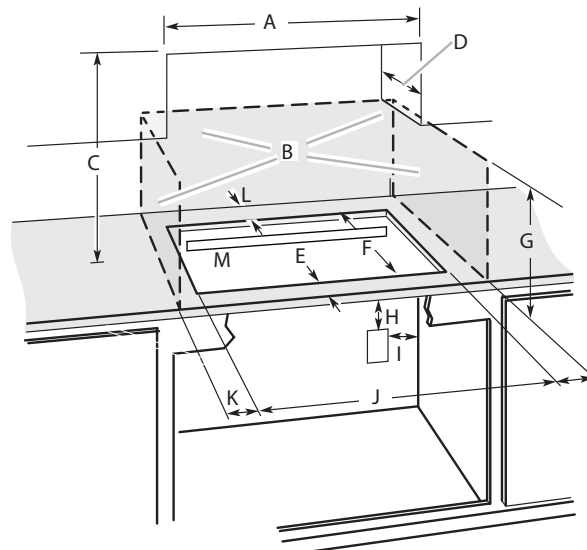
Modèle	A	B	C
24 po	21 ⁵ / ₁₆ po (54,1 cm)	25 ⁵ / ₈ po (65 cm)	3 ¹¹ / ₁₆ po (9,4 cm)
30 po	21 ⁵ / ₁₆ po (54,1 cm)	30 ³ / ₄ po (78,2 cm)	3 ¹¹ / ₁₆ po (9,4 cm)
36 po	21 ⁵ / ₁₆ po (54,1 cm)	36 ⁵ / ₁₆ po (92,2 cm)	3 ¹¹ / ₁₆ po (9,4 cm)

Avec cadre :

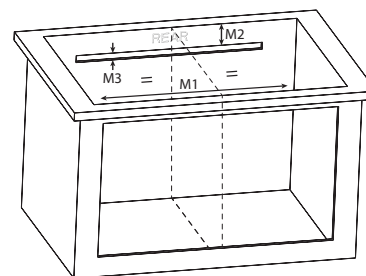
	Modèle	A	B	C
30 po	KitchenAid	21 ¹¹ / ₁₆ po (55,1 cm)	31 ¹ / ₈ po (79,1 cm)	3 ⁹ / ₁₆ po (9,0 cm)
	Whirlpool	22 po (55,9 cm)	30 ¹³ / ₁₆ po (78,2 cm)	3 ⁹ / ₁₆ po (9,1 cm)
36 po	KitchenAid	21 ¹¹ / ₁₆ po (55,1 cm)	36 ¹¹ / ₁₆ po (93,15 cm)	3 ⁹ / ₁₆ po (9,0 cm)
	Whirlpool	-	-	-

Dimensions de l'armoire

IMPORTANT : si une hotte ou un four à micro-ondes avec hotte est installé au-dessus de la cuisinière, suivre les instructions d'installation de la hotte ou du four à micro-ondes avec hotte pour connaître la dimension de la zone de dégagement nécessaire au-dessus de la table de cuisson.



- A. 24 po (65 cm) sur les modèles de 24 po; 30 po (78,2 cm) sur les modèles de 30 po; 36 po (92,2 cm) sur les modèles de 36 po
- B. Zone de matière combustible au-dessus du plan de travail (espace délimité par des lignes pointillées ci-dessus)
- C. Distance minimale de séparation de 30 po (78,2 cm) entre le dessus de la table de cuisson et le fond d'une armoire métallique ou en bois non couverte (distance de séparation de 24 po [61 cm] ou plus si le fond de l'armoire métallique ou en bois est recouvert d'une plaque d'au moins 1/4 po [6,4 mm] de matériau résistant aux flammes, lui-même recouvert d'une feuille métallique d'une épaisseur correspondant à un calibre de 28 au moins pour l'acier, 0,015 po [0,04 cm] pour l'acier inoxydable, 0,024 po [0,06 cm] pour l'aluminium ou 0,020 po [0,05 cm] pour le cuivre)
- D. Profondeur recommandée pour les armoires supérieures : 13 po (33,0 cm)
- E. 2 po (5,1 cm)
- F. Pour plus de détails, voir le Tableau 1
- G. Distance de séparation minimale de 18 po (45,7 cm) entre l'armoire supérieure et le plan de travail avec distance minimale de séparation horizontale pour la table de cuisson
- H. Boîtier de connexion ou prise électrique; 12 po (30,5 cm) ou plus depuis le bas du plan de travail
- I. Boîtier de connexion ou prise électrique; 10 po (25,4 cm) depuis le côté droit du placard
- J. Pour plus de détails, voir le Tableau 1
- K. Distance de séparation minimale de 1 po (2,5 cm) par rapport à la surface de matériau combustible la plus proche, à gauche ou à droite au-dessus de la table de cuisson
- L. Distance de séparation minimale de 1 po (2,5 cm) entre la paroi arrière et le plan de travail
- M. **IMPORTANT :** pour une bonne ventilation, prévoir une découpe dans la paroi arrière du placard comme illustré. Pour une installation standard ou en affleurement, s'assurer que l'axe central de l'ouverture et l'axe central de la découpe d'aération soient alignés.



Modèle	M1	M2	M2 (affleurement)	M3
24 po	19 po (48,2 cm)	2 ⁹ / ₁₆ po (6,5 cm)	2 ¹³ / ₁₆ po (7,1 cm)	13/16 po (2,1 cm)
30 po et 36 po	26 ³ / ₄ po (68 cm)	2 ⁹ / ₁₆ po (6,5 cm)	2 ¹³ / ₁₆ po (7,1 cm)	13/16 po (2,1 cm)

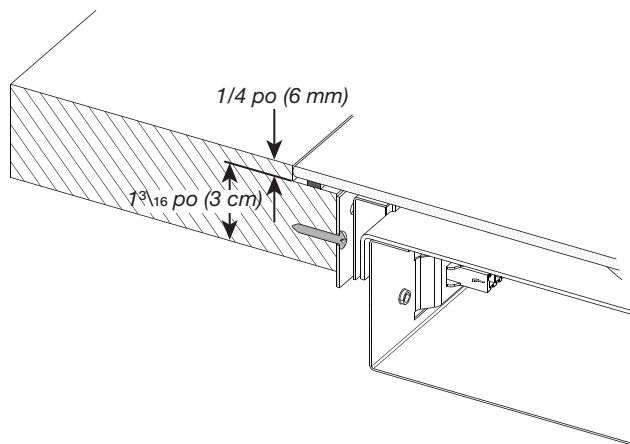
Tableau 1

Modèle	DÉCOUPE (cuisinière)	
	F	J
24 po	20 ⁷ / ₁₆ po (51.9 cm)- 20 ³ / ₄ po (52.7 cm)	21 ¹³ / ₁₆ po (55.4 cm)- 21 ¹⁵ / ₁₆ po (55.7 cm)
30 po	20 ⁷ / ₁₆ po (51.9 cm)- 20 ³ / ₄ po (52.7 cm)	29 ¹ / ₂ po (74.9 cm)- 29 ⁵ / ₈ po (75.2 cm)
36 po	20 ⁷ / ₁₆ po (51.9 cm)- 20 ³ / ₄ po (52.7 cm)	35 ⁷ / ₁₆ po (90.0 cm)- 35 ⁹ / ₁₆ po (90.3 cm)

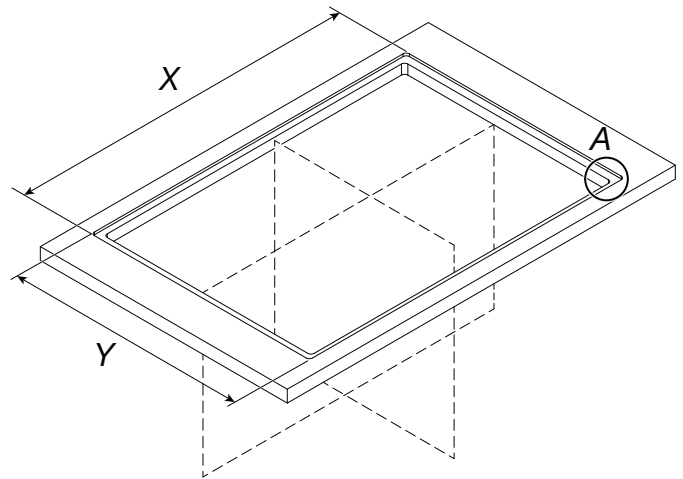
REMARQUE : après le découpage de l'ouverture dans le plan de travail, il est possible que pour certaines configurations d'installation, il soit nécessaire d'entailler les parois latérales de l'armoire inférieure pour permettre le passage de la base de la table de cuisson. Pour éviter cette modification, utiliser une armoire inférieure dont la largeur entre les parois latérales est supérieure à celle de l'ouverture découpée.

Si l'armoire comporte un tiroir, on devra ménager une distance de séparation de 5 ¹/₈ po (13 cm) entre le plan de travail et le sommet du tiroir (ou autre obstruction) dans l'armoire inférieure.

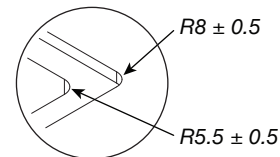
Installation en affleurement - sans cadre



Modèle	X	J
24 po	25 ¹³ / ₁₆ po (65,5 cm)	21 ⁷ / ₁₆ po (54,5 cm)
30 po	31 po (78,7 cm)	21 ⁷ / ₁₆ po (54,5 cm)
36 po	36 ¹ / ₂ po (92,7 cm)	21 ⁷ / ₁₆ po (54,5 cm)



Détail A



Rayon du verre 6 mm

Spécifications électriques

⚠ AVERTISSEMENT



Risque de choc électrique

Déconnecter la source de courant électrique avant l'entretien.

Utiliser du fil en cuivre de calibre 8.

Relier la table de cuisson à la terre.

Le non-respect de ces instructions peut causer un décès, un incendie ou un choc électrique.

Si les codes le permettent et qu'un fil de mise à la terre séparé est utilisé, nous recommandons qu'un électricien qualifié détermine si le trajet du fil et son calibre respectent les codes locaux.

Vérifier auprès d'un électricien qualifié si vous avez des doutes quant à la qualité de la liaison à la terre de la table de cuisson.

Ne pas installer un fusible dans le conducteur neutre ou de liaison à la terre.

S'assurer que la connexion électrique et le calibre des fils sont appropriés et conformes au National Electrical Code, aux normes ANSI/NFPA 70 – dernière édition, ou aux normes CSA C22.1-94, au Code canadien de l'électricité, Partie 1 et C22.2 n° O-M91 – dernière édition, et à tous les codes et règlements locaux.

Pour obtenir un exemplaire des normes des codes ci-dessus, contacter :

National Fire Protection Association
1 Batterymarch Park
Quincy, MA 02169-7471
CSA International
8501 East Pleasant Valley Road
Cleveland, OH 44131-5575

Avant d'établir la connexion électrique :

Pour installer la table de cuisson correctement, il faut établir le type de raccords électriques que l'on utilisera et suivre les instructions indiquées ici.

L'appareil doit être alimenté uniquement par un circuit monophasé de 240 V CA de 60 Hz à 4 fils ou 3 fils, sur un circuit séparé de 50 ampères [modèles de 36 po (92,2 cm)], de 40 ampères [modèles KitchenAid de 30 po (78,2 cm)] ou de 32 ampères [modèles Whirlpool de 24 po (65 cm)], fusionné aux deux extrémités de la ligne.

- La table de cuisson doit être raccordée directement au boîtier de connexion par l'intermédiaire d'un câble flexible à conducteur de cuivre (avec blindage ou gaine non métallique). Le câble blindé flexible sortant du boîtier de distribution (fusible ou disjoncteur) doit être raccordé directement au boîtier de connexion.
- Placer le boîtier de connexion pour laisser le plus de jeu possible entre celui-ci et la table de cuisson pour pouvoir déplacer la table de cuisson en cas de besoin de réparation à l'avenir.

- Ne pas couper le conduit. La longueur du conduit fourni est destinée à faciliter l'entretien de la table de cuisson.
- Un connecteur de conduit homologué UL ou CSA doit être fourni à chaque extrémité du câble d'alimentation électrique (à la table de cuisson et au boîtier de connexion). Un connecteur de conduit homologué est déjà fourni à la table de cuisson.
- Si le domicile possède un câblage en aluminium, suivre la procédure ci-dessous :

Connecter le câblage en aluminium en utilisant des capuchons ou des outils spécialement conçus et homologués UL pour raccorder le cuivre à l'aluminium.

Suivre la procédure recommandée par le fabricant de connecteurs électriques. Les raccordements aluminium/cuivre doivent satisfaire aux prescriptions des codes locaux et de l'industrie, et être conformes aux pratiques de câblage reconnues.

INSTRUCTIONS D'INSTALLATION

Préparation de l'emplacement

1. Déterminer l'emplacement final de la table de cuisson.

REMARQUE : l'épaisseur du plan de travail doit être comprise entre 1 $\frac{3}{16}$ po (3 cm) et 2 po (5,1 cm).

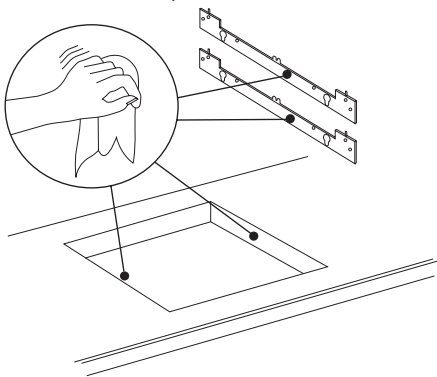
2. Si nécessaire, découper l'ouverture dans le plan de travail avant d'installer la table de cuisson. Voir la section « Exigences d'installation » pour plus de renseignements.
3. Nettoyer l'ouverture pour la dégager de tout résidu ou poussière.

Installation des supports

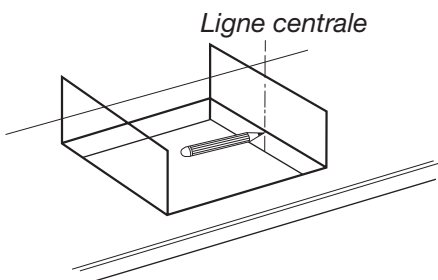
REMARQUE : l'ensemble adhésif du support de table de cuisson, pièce numéro W11279478 est nécessaire pour l'installation de la table de cuisson dans un plan de travail en marbre. Voir la section « Assistance ou service » dans le Guide d'utilisation et d'entretien pour des renseignements sur le processus de commande.

Installation des supports dans le plan de travail en marbre :

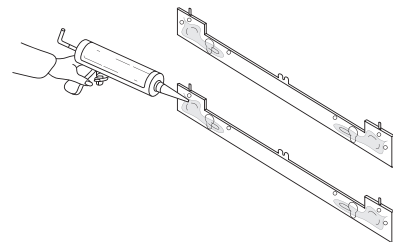
1. Nettoyer les supports et l'ouverture de la table de cuisson pour éliminer résidus et poussière.



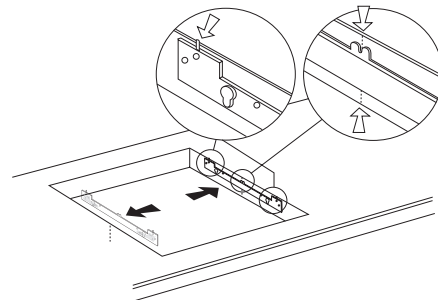
2. Mesurer l'axe central des parois verticales de l'ouverture de la table de cuisson.



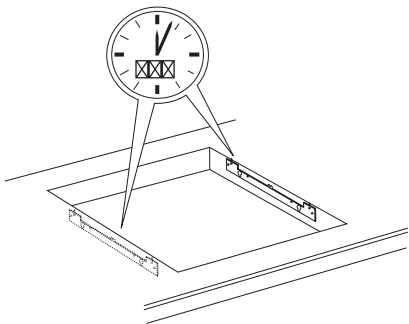
3. Appliquer l'adhésif fourni avec la trousse sur l'arrière des supports.



4. Positionner les supports au centre de l'axe central vertical et aligner la rive supérieure des supports de façon à ce qu'ils soient en affleurement avec le plan de travail.

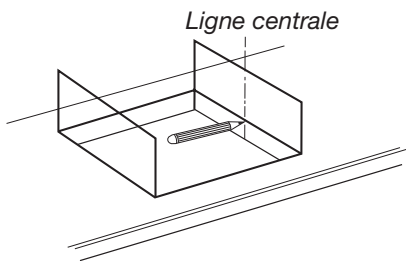


5. Enfoncer fermement les supports sur chaque côté de l'ouverture de la table de cuisson et attendre 1 heure pour que l'adhésif puisse sécher.

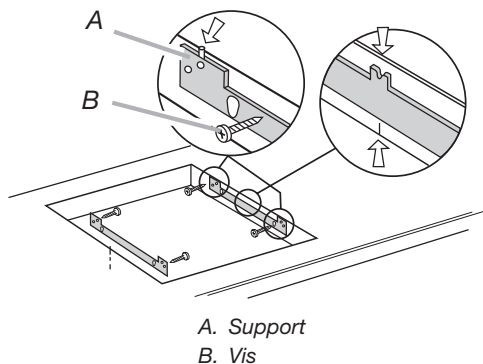


Installation des supports dans le plan de travail en bois :

1. Mesurer l'axe central des parois verticales de l'ouverture de la table de cuisson.

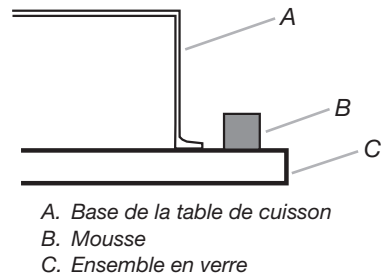


2. Positionner les supports au centre de l'axe central vertical et aligner la rive supérieure des supports de façon à ce qu'ils soient en affleurement avec le plan de travail.
3. Fixer les supports dans l'ouverture avec les vis fournies.

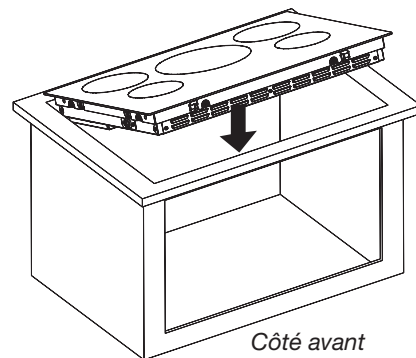


2. Facultatif - Enlever le rouleau de mousse du sachet de documentation. Appliquer le côté adhésif de la bande de mousse autour du fond de la table de cuisson.

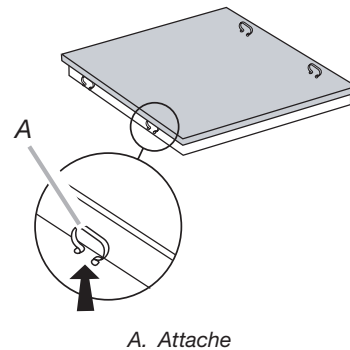
REMARQUE : la mousse protège des débris la face inférieure du verre de la table de cuisson et l'aide à reposer à plat sur des plans de travail irréguliers.



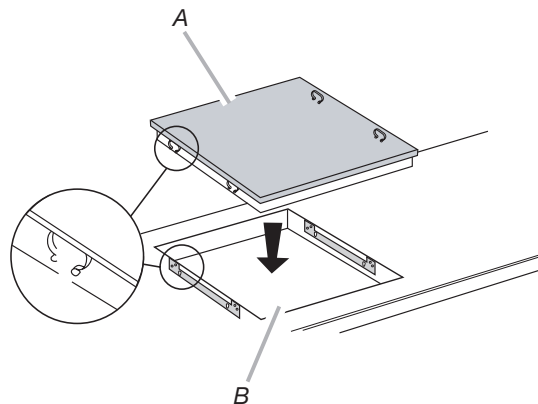
3. Abaisser la table de cuisson jusque dans l'ouverture en inclinant l'extrémité arrière de la table de cuisson vers le bas.



4. S'assurer que les attaches de chaque côté de la table de cuisson s'alignent avec les supports dans l'ouverture.



5. Appuyer sur la table de cuisson pour emboîter les attaches de la table de cuisson sur les supports installés dans l'ouverture.



Installation de la table de cuisson

⚠ AVERTISSEMENT

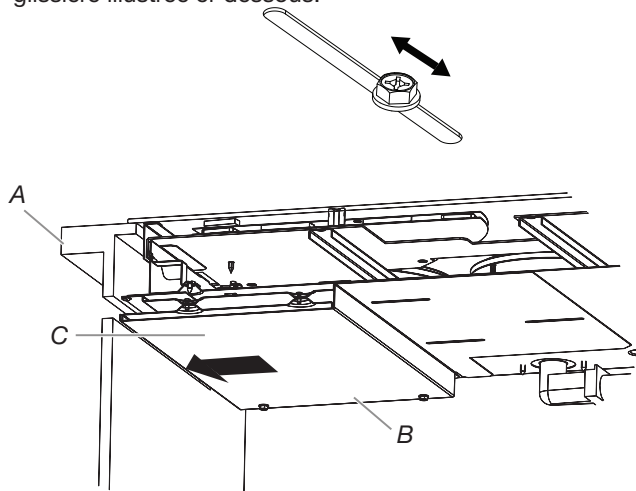
Risque du poids excessif

Utiliser deux ou plus de personnes pour déplacer et installer la table de cuisson.

Le non-respect de cette instruction peut causer une blessure au dos ou d'autre blessure.

1. Avec l'aide de deux personnes ou plus, placer la table de cuisson à l'envers sur une surface couverte en utilisant les cornières en polystyrène de l'emballage.

6. Sur la face inférieure de la plaque de cuisson, desserrer seulement les 6 vis des modèles de 24 po (65 cm) et les 7 vis des modèles de 30 po (78,2 cm) et de 36 po (92,2 cm) sur la glissière illustrée ci-dessous.



A. Côté du placard
B. Glissière de la table de cuisson
C. Fond de la table de cuisson

7. Enfoncer la glissière du conduit vers le côté du placard jusqu'à ce que la glissière et le placard se touchent.
8. Serrer les vis sur la glissière.

Raccordement électrique

⚠ AVERTISSEMENT



Risque de choc électrique

Déconnecter la source de courant électrique avant l'entretien.

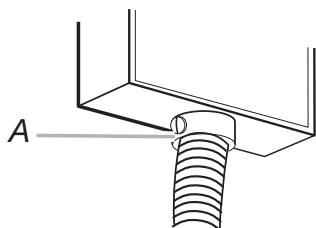
Utiliser du fil en cuivre de calibre 8.

Relier la table de cuisson à la terre.

Le non-respect de ces instructions peut causer un décès, un incendie ou un choc électrique.

Un conducteur vert (ou nu) de liaison à la terre est connecté au châssis de la table de cuisson lors de la fabrication.

1. Déconnecter la source de courant électrique.
2. Le cas échéant, enlever le couvercle du boîtier de connexion.
3. Brancher le conduit de câble flexible de la table de cuisson au boîtier de connexion en utilisant un connecteur de conduit homologué UL ou CSA.



A. Connecteur de conduit (homologation UL ou CSA)

4. Serrer les vis du connecteur de conduit, le cas échéant.

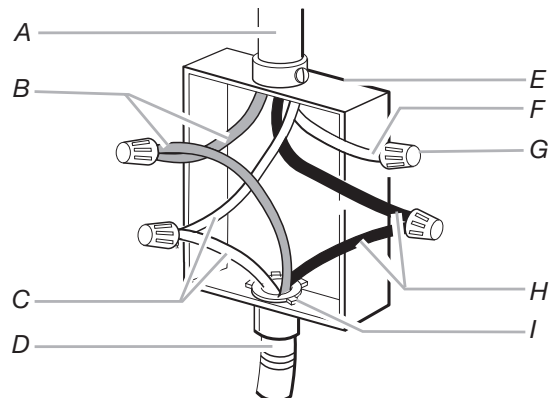
5. Voir le « Tableau des options de raccordement électrique » pour terminer l'installation correspondant à votre type de raccordement électrique.

Tableau des options de raccordement électrique

Si le domicile comporte :	Voir la section :
4 conducteurs	Câble à 4 conducteurs depuis l'alimentation électrique du domicile
3 conducteurs	Câble à 3 conducteurs depuis l'alimentation électrique du domicile

Câble à 4 conducteurs depuis l'alimentation électrique du domicile

IMPORTANT : utiliser le câble à 4 conducteurs provenant de l'alimentation électrique du domicile aux États-Unis lorsque les codes ne permettent pas la mise à la terre par l'intermédiaire du conducteur neutre, en cas de nouvelle installation avec alimentation par un circuit secondaire (1996 NEC), dans les résidences mobiles et les véhicules récréatifs, dans une nouvelle construction et au Canada.



- | | |
|---|--|
| A. Câble depuis l'alimentation électrique du domicile | F. Conducteur blanc (depuis l'alimentation électrique du domicile) |
| B. Conducteurs rouges | G. Capuchon de connexion (homologation UL) |
| C. Conducteurs verts (ou nus) de liaison à la terre | H. Conducteurs noirs |
| D. Câble à 3 conducteurs depuis la table de cuisson | I. Connecteur de conduit (homologation UL ou CSA) avec passe-fils |
| E. Boîtier de connexion | |

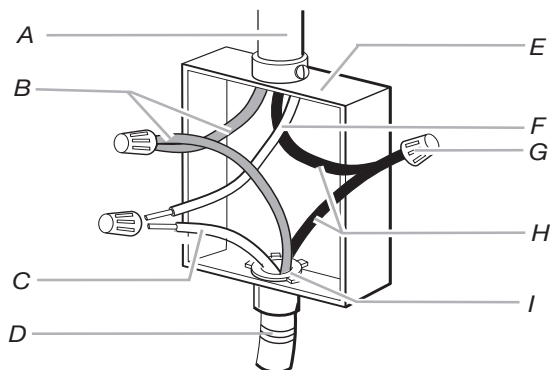
1. Connecter ensemble les 2 conducteurs rouges (B) avec un capuchon de connexion (homologation UL).
2. Connecter le conducteur vert (ou nu) de liaison à la terre (C) du câble de la table de cuisson avec le conducteur vert (ou nu) de liaison à la terre (dans le boîtier de connexion) avec un capuchon de connexion (homologation UL).
3. Placer un capuchon de connexion (homologation UL) à l'extrémité du conducteur blanc (F).

REMARQUE : ne pas connecter le conducteur vert (ou nu) de liaison à la terre au conducteur neutre (blanc) dans le boîtier de connexion.

4. Connecter ensemble les 2 conducteurs noirs (H) avec un capuchon de connexion (homologation UL).
5. Installer le couvercle du boîtier de connexion.

Câble à 3 conducteurs depuis l'alimentation électrique du domicile – É.-U. seulement

IMPORTANT : utiliser le câble à 3 conducteurs depuis l'alimentation électrique du domicile lorsque les codes locaux autorisent un tel raccordement.



- | | |
|---|--|
| A. Câble depuis l'alimentation électrique du domicile | F. Conducteur blanc (depuis l'alimentation électrique du domicile) |
| B. Conducteurs rouges | G. Capuchon de connexion (homologation UL) |
| C. Conducteur vert (ou nu) de liaison à la terre depuis la table de cuisson | H. Conducteurs noirs |
| D. Câble à 3 conducteurs depuis la table de cuisson | I. Connecteur de conduit (homologation UL ou CSA) avec passe-fils |
| E. Boîtier de connexion | |

1. Connecter ensemble les 2 conducteurs rouges (B) avec un capuchon de connexion (homologation UL).
2. Connecter le conducteur vert (ou nu) (C) de la table de cuisson au conducteur blanc (neutre) (F) dans le boîtier de connexion avec un capuchon de connexion (homologation UL).
3. Connecter ensemble les 2 conducteurs noirs (H) avec un capuchon de connexion (homologation UL).
4. Installer le couvercle du boîtier de connexion.

Terminer l'installation

1. Vérifier que toutes les pièces sont maintenant installées. S'il y a des pièces supplémentaires, relire les étapes pour savoir quelle étape a été passée.
2. Vérifier la présence de tous les outils.
3. Éliminer/recycler tous les matériaux d'emballage.
4. Avant d'utiliser la table de cuisson, utiliser une solution douce de nettoyant domestique et d'eau tiède pour la nettoyer. Sécher soigneusement au moyen d'un chiffon doux. Pour plus de renseignements, voir la section « Entretien de la table de cuisson » du guide d'utilisation et d'entretien.
5. Lire « Utilisation de la table de cuisson » dans le Guide d'utilisation et d'entretien de la table de cuisson.
6. Rebrancher l'alimentation.

REMARQUE : si la table de cuisson ne fonctionne pas après la mise sous tension, vérifier que le disjoncteur ne s'est pas déclenché ou que les fusibles ne sont pas grillés. Voir la section « Dépannage » dans le Guide d'utilisation et d'entretien pour plus de renseignements.

Pour obtenir de l'assistance ou une visite de service :

Consulter la section « Assistance ou service » du Guide d'utilisation et d'entretien ou contacter le marchand qui a vendu la table de cuisson.

SEGURIDAD DE LA SUPERFICIE DE COCCIÓN

Su seguridad y la seguridad de los demás es muy importante.

Hemos incluido muchos mensajes importantes de seguridad en este manual y en su electrodoméstico. Lea y obedezca siempre todos los mensajes de seguridad.



Este es el símbolo de alerta de seguridad.

Este símbolo le llama la atención sobre peligros potenciales que pueden ocasionar la muerte o una lesión a usted y a los demás.

Todos los mensajes de seguridad irán a continuación del símbolo de advertencia de seguridad y de la palabra "PELIGRO" o "ADVERTENCIA". Estas palabras significan:

 **PELIGRO**

Si no sigue las instrucciones de inmediato, usted puede morir o sufrir una lesión grave.

 **ADVERTENCIA**

Si no sigue las instrucciones, usted puede morir o sufrir una lesión grave.

Todos los mensajes de seguridad le dirán el peligro potencial, le dirán cómo reducir las posibilidades de sufrir una lesión y lo que puede suceder si no se siguen las instrucciones.

REQUISITOS DE INSTALACIÓN

Herramientas y piezas

Reúna las herramientas y las piezas necesarias antes de comenzar la instalación. Lea y siga las instrucciones provistas con cualquiera de las herramientas detalladas aquí.

Herramientas necesarias

- Cinta métrica
- Nivel
- Destornillador de cabeza plana
- Marcador o lápiz
- Destornillador Phillips
- Alicata
- Taladro manual o eléctrico
- Broca de 1/4"
- Sierra de vaivén

Piezas suministradas

- Soportes (2)
- Tornillos de abrazadera n.º 6 x 3/4" (1,9 cm) (4)
- Tornillos para metal laminado n.º 8 x 3/8" (9,5 mm) (6 tornillos para los modelos de 24" [65 cm] y 7 tornillos para los modelos de 30" [78,2 cm] y 36" [92,2 cm])

Piezas necesarias

- Un protector de cables homologado por UL o aprobado por CSA
- Conectores para cable homologados por UL
- Una caja de empalmes homologada por UL o un enchufe de 240 V
- El kit adhesivo para soportes de la superficie de cocción, número de pieza W11279478, si la superficie de cocción se instala sobre un mostrador de mármol. Consulte la sección de "Ayuda o servicio técnico" del Manual de uso y cuidado para obtener más información sobre cómo hacer pedidos.

Verifique los códigos locales. Compruebe el suministro eléctrico existente. Consulte "Requisitos eléctricos".

Es recomendable que todas las conexiones eléctricas sean hechas por un instalador eléctrico calificado autorizado.

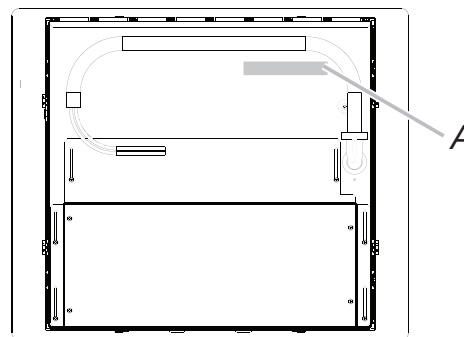
Requisitos de ubicación

Verifique que tenga todo lo necesario para una instalación correcta. Es responsabilidad del instalador cumplir con los espacios libres de instalación especificados en estas instrucciones.

IMPORTANTE: Respete todos los códigos y las ordenanzas vigentes. Cuando instale superficies de cocción, use las medidas mínimas proporcionadas.

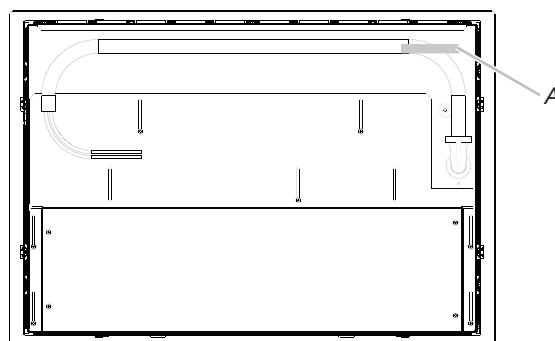
- Para eliminar el riesgo de quemaduras o incendio al tocar unidades con la superficie caliente, deberá evitarse el uso de gabinetes de almacenamiento encima de las unidades. Si van a proveerse gabinetes de almacenamiento, puede reducir el riesgo instalando una campana para estufa que se proyecte horizontalmente un mínimo de 5" (12,7 cm) sobresaliendo de la base de los gabinetes.
- Es responsabilidad del instalador cumplir con los espacios de instalación especificados en la placa que indica modelo/serie/valores nominales. La placa indicadora de modelo/serie está ubicada en la parte de abajo de la caja del quemador de la superficie de cocción.

Ubicación de la placa de modelo/serie de la superficie de cocción de 24" (65 cm)



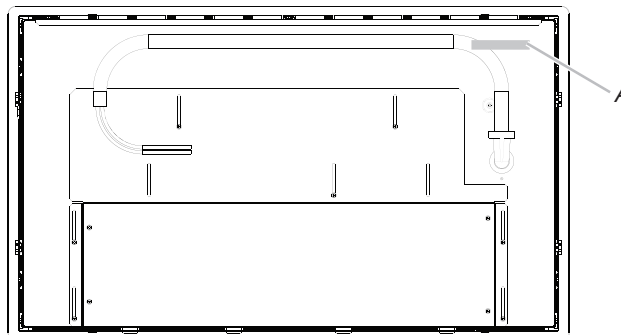
A. Ubicación de la placa de clasificación de modelo/serie

Ubicación de la placa de modelo/serie de la superficie de cocción de 30" (78,2 cm)



A. Ubicación de la placa de clasificación de modelo/serie

Ubicación de la placa de modelo/serie de la superficie de cocción de 36" (92,2 cm)

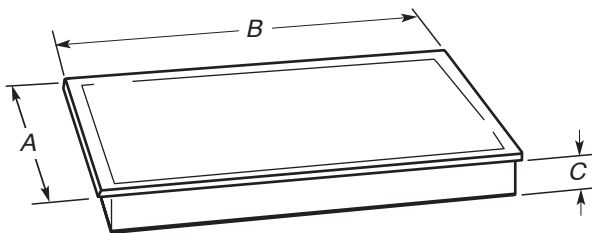


A. Ubicación de la placa de clasificación de modelo/serie

- Fíjese en la base de la superficie de cocción para ver la etiqueta de instalación aprobada. Verifique los números del modelo de horno aprobado que se puede instalar con su número de modelo de superficie de cocción. Si no encuentra esta etiqueta, puede ser que no se apruebe la superficie de cocción para su uso sobre un horno integrado debajo del mostrador. Comuníquese con su distribuidor para confirmar que su superficie de cocción esté aprobada.

- Los hornos que hayan sido aprobados para este tipo de instalación deberán tener la etiqueta de aprobación ubicada en la parte superior del horno. Si no encuentra esta etiqueta, póngase en contacto con su distribuidor para confirmar que el horno esté aprobado. Tome como referencia las Instrucciones de instalación del fabricante del horno para obtener la aprobación del uso del horno integrado debajo del mostrador y para las dimensiones apropiadas de corte.
- Cuando instale la superficie de cocción sobre un horno integrado debajo del mostrador, no sujete la superficie de cocción al mostrador con abrazaderas ni selle la superficie de cocción en el mostrador. Esto hará que sea fácil retirar la superficie de cocción en el caso de que sea necesario un servicio futuro.
- Use las medidas de abertura del mostrador provistas con estas Instrucciones de instalación. Las medidas provistas son para espacios mínimos y proporcionan 0" (0 cm) de espacio.
- Se requiere un suministro eléctrico con conexión a tierra. Consulte la sección "Requisitos eléctricos".

Medidas del producto



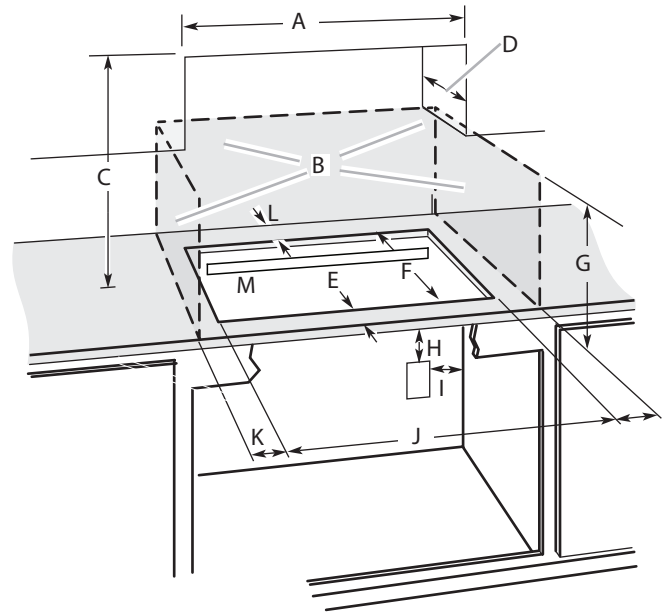
Modelo	A	B	C
24"	21 ⁵ / ₁₆ " (54,1 cm)	25 ⁵ / ₈ " (65 cm)	3 ¹¹ / ₁₆ " (9,4 cm)
30"	21 ⁵ / ₁₆ " (54,1 cm)	30 ³ / ₄ " (78,2 cm)	3 ¹¹ / ₁₆ " (9,4 cm)
36"	21 ⁵ / ₁₆ " (54,1 cm)	36 ⁵ / ₁₆ " (92,2 cm)	3 ¹¹ / ₁₆ " (9,4 cm)

Con marco:

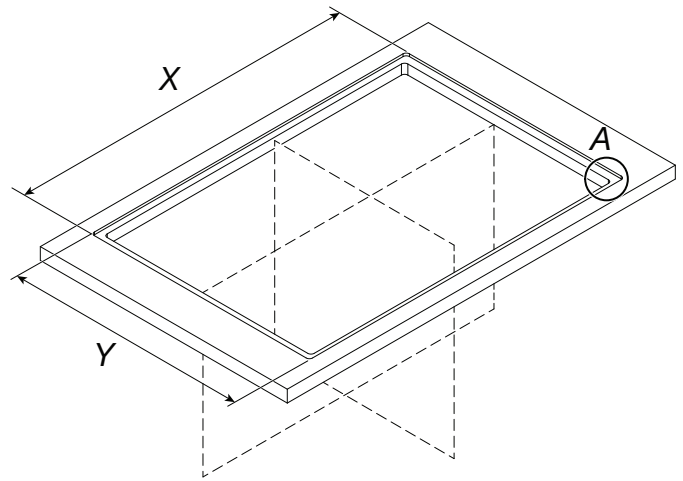
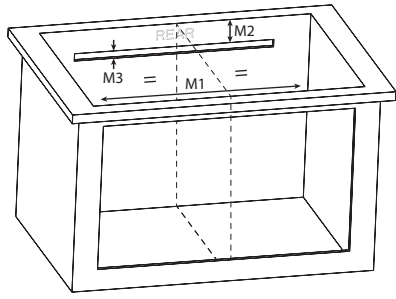
Modelo	A	B	C	
30"	KitchenAid	21 ¹¹ / ₁₆ " (55,1 cm)	31 ¹ / ₈ " (79,1 cm)	3 ⁹ / ₁₆ " (9,0 cm)
	Whirlpool	22" (55,9 cm)	30 ¹³ / ₁₆ " (78,2 cm)	3 ⁹ / ₁₆ " (9,1 cm)
36"	KitchenAid	21 ¹¹ / ₁₆ " (55,1 cm)	36 ¹¹ / ₁₆ " (93,15 cm)	3 ⁹ / ₁₆ " (9,0 cm)
	Whirlpool	-	-	-

Dimensiones del gabinete

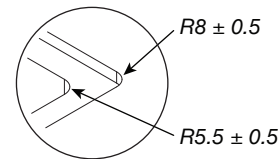
IMPORTANTE: Si va a instalar una campana para estufa o una combinación de microondas y campana sobre la estufa, siga las instrucciones de instalación incluidas con la campana para estufa o la combinación de microondas y campana para las medidas de espacio sobre la superficie de cocción.



- A. 24" (65 cm) en modelos de 24"; 30" (78,2 cm) en modelos de 30"; 36" (92,2 cm) en modelos de 36"
- B. Área de combustión sobre la superficie de cocción (se muestra la caja con líneas punteadas, arriba)
- C. 30" (78,2 cm) mínimo de espacio entre la plataforma de la superficie de cocción y la parte inferior del gabinete de madera o metal descubierto y (24" [61 cm] mínimo de espacio cuando la base del gabinete de madera o metal esté cubierta por cartón de combustión lenta de no menos de 1/4" [6,4 mm] cubierto de lámina de acero de no menos de N.º 28 MSG, acero inoxidable de 0,015" [0,04 cm], aluminio de 0,024" [0,06 cm] o cobre de 0,020" [0,05 cm])
- D. 13" (33,0 cm) de profundidad recomendada del gabinete superior
- E. 2" (5,1 cm)
- F. Para obtener detalles, consulte la tabla 1
- G. 18" (45,7 cm) de espacio mínimo entre el gabinete superior y el mostrador, dentro de los espacios horizontales mínimos a la superficie de cocción
- H. Caja de empalmes o enchufe; 12" (30,5 cm) mínimo desde la parte inferior del mostrador
- I. Caja de empalmes o enchufe; 10" (25,4 cm) desde el lado derecho del gabinete
- J. Para obtener detalles, consulte la tabla 1.
- K. 1" (2,5 cm) de distancia mínima a la superficie combustible del lado izquierdo y derecho más cercana por encima de la superficie de cocción
- L. 1" (2,5 cm) de espacio mínimo entre la pared posterior y el mostrador
- M. **IMPORTANTE:** Para una ventilación adecuada, haga un recorte de ventilación en la parte posterior del gabinete como se indica en la siguiente ilustración. Para una instalación estándar al ras, asegúrese de que el recorte y su recorte para ventilación tengan la línea central alineada.



Detalle A



Radio del vidrio de 6 mm

Modelo	M1	M2	M2 (Alineamiento)	M3
24"	19" (48,2 cm)	2 ⁹ / ₁₆ " (6,5 cm)	2 ¹³ / ₁₆ " (7,1 cm)	13/16" (2,1 cm)
30" y 36"	26 ³ / ₄ " (68 cm)	2 ⁹ / ₁₆ " (6,5 cm)	2 ¹³ / ₁₆ " (7,1 cm)	13/16" (2,1 cm)

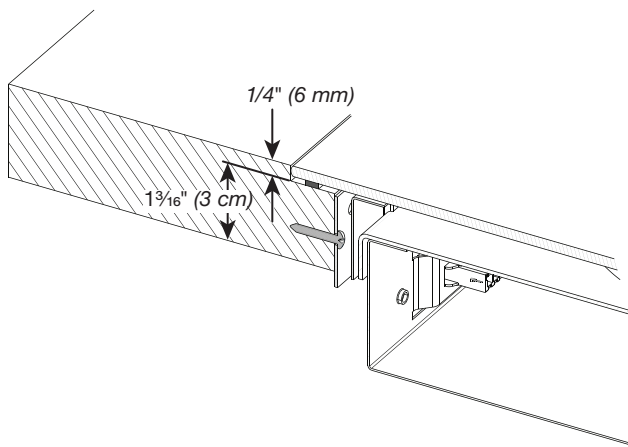
Tabla 1

Modelo	RECORTE (estufa)	
	F	J
24"	20 ⁷ / ₁₆ " (51.9 cm)- 20 ³ / ₄ " (52.7 cm)	21 ¹³ / ₁₆ " (55.4 cm)- 21 ¹⁵ / ₁₆ " (55.7 cm)
30"	20 ⁷ / ₁₆ " (51.9 cm)- 20 ³ / ₄ " (52.7 cm)	29 ¹ / ₂ " (74.9 cm)- 29 ⁵ / ₈ " (75.2 cm)
36"	20 ⁷ / ₁₆ " (51.9 cm)- 20 ³ / ₄ " (52.7 cm)	35 ⁷ / ₁₆ " (90.0 cm)- 35 ⁹ / ₁₆ " (90.3 cm)

NOTA: Después de hacer el recorte del mostrador, es posible que en algunas instalaciones se requiera hacer un corte a lo largo de las paredes laterales del gabinete de la base para despejar la base de la superficie de cocción. Para evitar esta modificación, use un gabinete de la base con paredes laterales más anchas que el recorte.

Si el gabinete tiene un cajón, se requiere un espacio de 5¹/₈" (13 cm) desde el mostrador hasta la parte superior del cajón (u otro objeto que esté obstruyendo) en el gabinete de la base.

Instalación alineada; sin marco



Modelo	X	AM
24"	25 ¹³ / ₁₆ " (65,5 cm)	21 ⁷ / ₁₆ " (54,5 cm)
30"	31" (78,7 cm)	21 ⁷ / ₁₆ " (54,5 cm)
36"	36 ¹ / ₂ " (92,7 cm)	21 ⁷ / ₁₆ " (54,5 cm)

Requisitos eléctricos

⚠ ADVERTENCIA



Peligro de Choque Eléctrico

Desconecte el suministro de energía antes de darle servicio.

Utilice alambre de cobre de calibre 8.

Conecte a tierra la parrilla eléctrica.

No seguir estas instrucciones puede ocasionar la muerte, incendio o choque eléctrico.

Si los códigos lo permiten y se emplea un cable de conexión a tierra separado, es recomendable que un instalador eléctrico calificado determine si la ruta de conexión a tierra y el calibre del cable están de acuerdo con los códigos locales.

Si no está seguro de que la conexión a tierra de la superficie de cocción sea la adecuada, verifíquela con un instalador eléctrico competente.

No se recomienda que coloque un fusible en el circuito neutro o de puesta a tierra.

Asegúrese de que la conexión eléctrica y el tamaño del cable sean adecuados y en conformidad con el National Electrical Code (Código Nacional Eléctrico), ANSI/NFPA 70, última edición, o las normas de CSA C22.1-94, Canadian Electrical Code (Código Canadiense de Electricidad), Parte 1 y C22.2 N.º O-M91, última edición, y todos los códigos y ordenanzas locales.

Puede obtener una copia de las normas de los códigos antes indicados en:

National Fire Protection Association
1 Batterymarch Park
Quincy, MA 02169-7471
CSA International
8501 East Pleasant Valley Road
Cleveland, OH 44131-5575

Antes de hacer la conexión eléctrica:

Para instalar la superficie de cocción adecuadamente, usted debe determinar el tipo de conexión eléctrica que va a usar y seguir las instrucciones que aquí se proveen para el caso.

Se requiere un suministro eléctrico de 4 alambres o 3 alambres, monofásico, de 240 V, 60 Hz., CA solamente en un circuito separado de 50 A (modelos de 36" [92,2 cm]) o circuito de 40 A (modelos KitchenAid de 30" [78,2 cm]), o circuito de 32 A (modelos Whirlpool de 24" [65,0 cm]) con fusibles en ambos lados de la línea.

- Deberá conectarse la superficie de cocción directamente a la caja de empalmes a través de un cable de cobre flexible blindado, forrado, no metálico. El cable flexible blindado que se extienda desde la caja de fusibles o la caja del disyuntor deberá conectarse directamente a la caja de empalmes.
- Localice la caja de empalmes para permitir que el cable quede lo más flojo posible entre la caja de empalmes y la superficie de cocción para que esta pueda moverse en caso de que haya necesidad de darle servicio en el futuro.

- No corte el conducto. La longitud del conducto provisto es para permitir darle servicio a la superficie de cocción.
- Debe proveerse un conector de conducto homologado por UL o aprobado por CSA a cada extremo del cable de suministro eléctrico (en la superficie de cocción y en la caja de empalmes). Con la superficie de cocción ya está provisto un conector de conducto aprobado.
- Si la casa tiene cableado de aluminio, siga el procedimiento a continuación:

Conecte el cableado de aluminio usando conectores especiales y/o herramientas diseñadas y de la lista de UL para unir el cobre al aluminio.

Siga el procedimiento recomendado por el fabricante del conector eléctrico. La conexión de cobre/aluminio deberá hacerse en conformidad con los códigos locales y las prácticas de cableado aceptadas por la industria.

INSTRUCCIONES DE INSTALACIÓN

Preparación de la ubicación

1. Decida cuál será la ubicación final de la superficie de cocción.

NOTA: La superficie de cocción debe ser de 1 $\frac{3}{16}$ " (3,0 cm) a 2" (5,1 cm) de espesor.

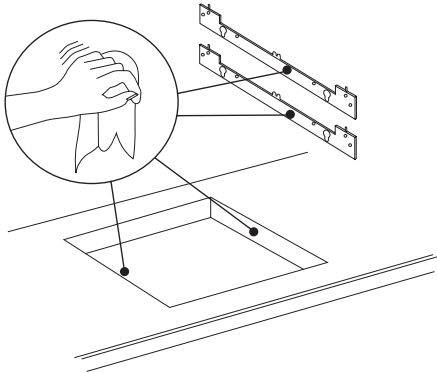
2. Si fuera necesario, realice un corte en el mostrador antes de instalar la superficie de cocción. Vea la sección "Requisitos de ubicación" para obtener más información.
3. Limpie el polvo y los residuos que queden en el corte.

Instalación de los soportes

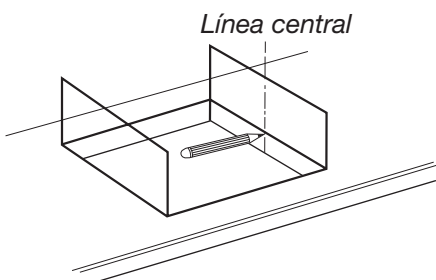
NOTA: Se requiere el kit adhesivo para soportes de la superficie de cocción, número de pieza W11279478 si la superficie de cocción se instala sobre un mostrador de mármol. Consulte la sección de "Ayuda o servicio técnico" del Manual de uso y cuidado para obtener más información sobre cómo hacer pedidos.

Para instalar los soportes en un mostrador de mármol:

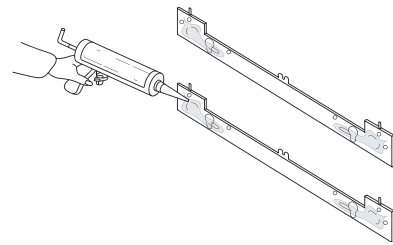
1. Limpie el polvo y los residuos de los soportes y el recorte de la superficie de cocción.



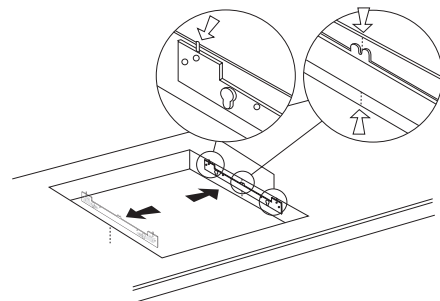
2. Mida la línea central de los lados verticales de la abertura del recorte de la superficie de cocción.



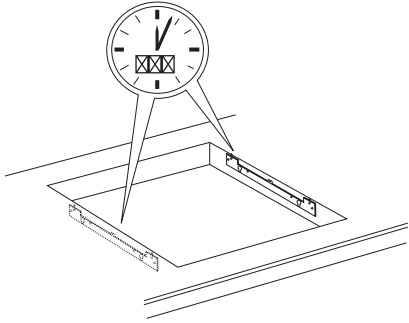
3. Aplique el adhesivo que se proporciona en el kit a la parte trasera de los soportes.



4. Ubique los soportes en el centro de la línea central vertical y alinee el borde superior de los soportes de manera que quede al ras del mostrador.

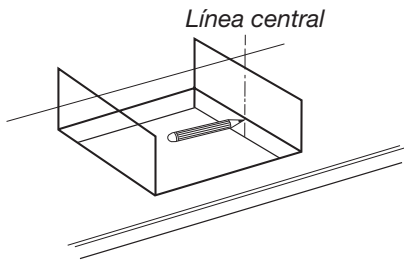


- Empuje los soportes firmemente a cada lado del recorte de la superficie de cocción y espere 1 hora para que el adhesivo se seque.

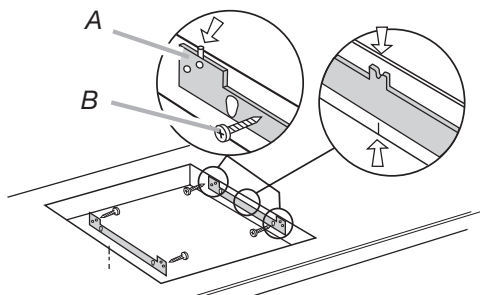


Para instalar los soportes en un mostrador de madera:

- Mida la línea central de los lados verticales de la abertura del recorte de la superficie de cocción.



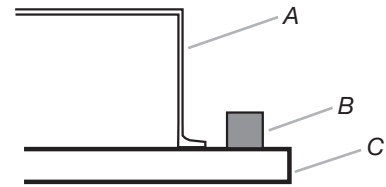
- Ubique los soportes en el centro de la línea central vertical y alinee el borde superior de los soportes de manera que quede al ras del mostrador.
- Fije los soportes en el recorte con los tornillos proporcionados.



A Soporte
B. Tornillo

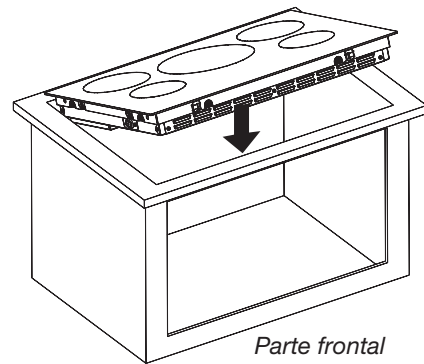
- Opcional: retire el rollo de espuma del paquete con material impreso. Aplique el lado con adhesivo de la espuma hacia abajo, alrededor de la parte inferior del vidrio de la superficie de cocción.

NOTA: La espuma protege la parte inferior del vidrio de la superficie de cocción de los desechos y ayuda a que la superficie de cocción se mantenga plana en mostradores desparejos.



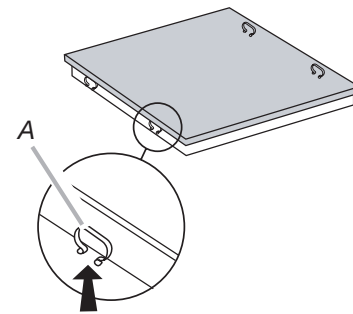
A. Base de la superficie de cocción
B. Espuma
C. Vidrio para el ensamblaje

- Baje la superficie de cocción en el recorte con el extremo posterior de la superficie de cocción en un ángulo descendiente.



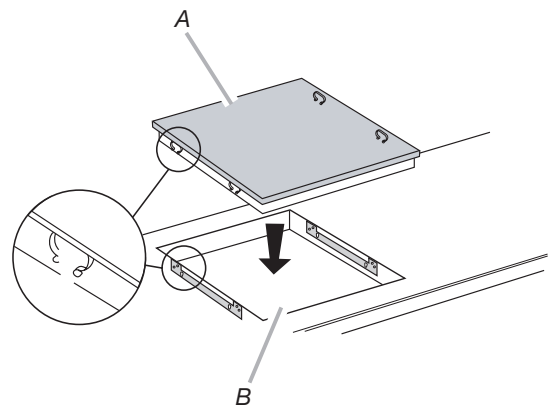
Parte frontal

- Asegúrese de que las abrazaderas de cada lado de la superficie de cocción se alineen con las ranuras del recorte.



A. Abrazadera

- Empuje hacia abajo en la superficie de cocción para encajar las abrazaderas de la superficie de cocción en los soportes instalados en el recorte.



A. Superficie de cocción por inducción
B. Recorte de la superficie de cocción

Instalación de la superficie de cocción

⚠ ADVERTENCIA

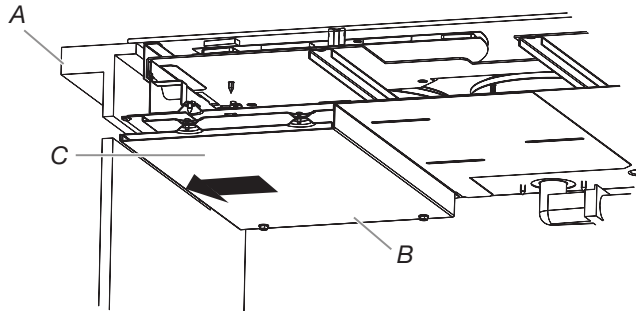
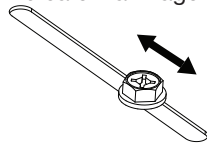
Peligro de Peso Excesivo

Use dos o más personas para mover e instalar la superficie de cocción.

No seguir esta instrucción puede ocasionar una lesión en la espalda u otro tipo de lesiones.

- Con 2 o más personas, ubique la superficie de cocción al revés en una superficie cubierta utilizando los protectores de espuma del empaquetado.

6. En la parte inferior de la superficie de cocción, afloje solamente los 6 tornillos para los modelos de 24" (65 cm) y 7 tornillos para los modelos de 30" (78,2 cm) y 36" (92,2 cm) en la corredera que se indica en la imagen a continuación.



A. Lado del gabinete
B. Corredera de la superficie de cocción
C. Parte inferior de la superficie de cocción

7. Empuje la corredera del ducto hacia el lado del gabinete hasta que se toquen.
8. Ajuste los tornillos en la corredera.

Cómo hacer la conexión eléctrica

⚠ ADVERTENCIA



Peligro de Choque Eléctrico

Desconecte el suministro de energía antes de darle servicio.

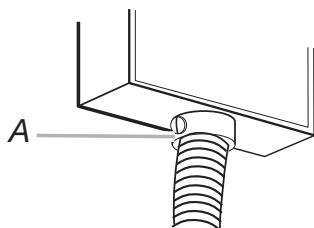
Utilice alambre de cobre de calibre 8.

Conecte a tierra la parrilla eléctrica.

No seguir estas instrucciones puede ocasionar la muerte, incendio o choque eléctrico.

Esta superficie de cocción ha sido fabricada con un alambre de puesta a tierra verde (o desnudo) conectado a un marco.

1. Desconecte el suministro eléctrico.
2. Retire la cubierta de la caja de empalmes, si está presente.
3. Conecte el conducto flexible del cable de la superficie de cocción a la caja de empalmes usando un conector de conducto homologado por UL o aprobado por CSA.



A. Conector de conducto homologado por UL o aprobado por CSA

4. Si están presentes, apriete los tornillos en el conector del conducto.
5. Vea el "Cuadro de opciones de conexión eléctrica" para completar la instalación para el tipo de conexión eléctrica.

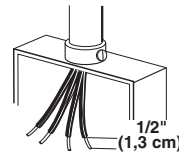
Cuadro de opciones de conexión eléctrica

Si la casa tiene:

Vaya a la sección:

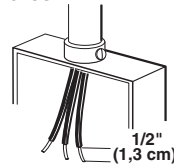
4 alambres

Cable de 4 hilos desde el suministro eléctrico



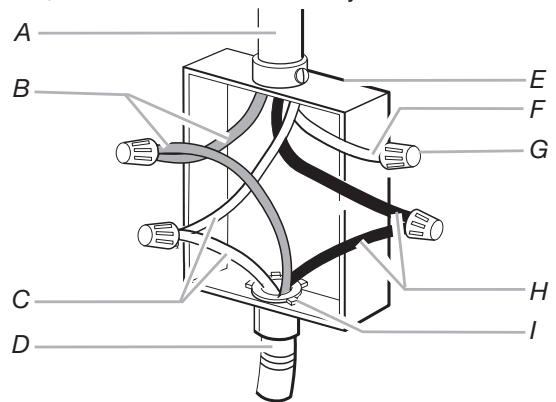
3 alambres

Cable de 3 hilos desde el suministro eléctrico



Cable de 4 hilos desde el suministro eléctrico

IMPORTANTE: Use el cable de 4 hilos del suministro eléctrico de la casa en los EE. UU. donde los códigos locales no permitan la puesta a tierra a través del neutro, nuevas instalaciones de circuitos derivados (1996 NEC), casas rodantes y vehículos de recreación, en construcciones nuevas y en Canadá.



- | | |
|--|---|
| A. Cable desde el suministro eléctrico de la casa | F. Hilo blanco (desde el suministro eléctrico de la casa) |
| B. Hilos rojos | G. Conector de cable homologado por UL |
| C. Hilos verdes (o desnudos) de puesta a tierra | H. Hilos negros |
| D. Cable de 3 hilos desde la superficie de cocción | I. Conector de conducto con paso para cables homologado por UL o aprobado por CSA |
| E. Caja de empalmes | |

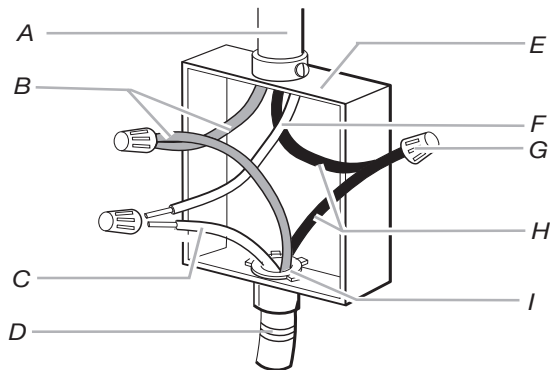
1. Conecte los 2 alambres rojos (B) juntos usando un conector de alambres homologado por UL.
2. Conecte el alambre verde (o desnudo) de puesta a tierra (C) desde el cable de la superficie de cocción al alambre verde (o desnudo) de puesta a tierra (en la caja de empalmes) usando un conector de alambres homologado por UL.
3. Coloque un conector de alambres homologado por UL en el extremo del alambre blanco (F).

NOTA: No conecte el alambre verde (o desnudo) de puesta a tierra con el alambre neutro (blanco) en la caja de empalmes.

4. Conecte los 2 alambres negros (H) juntos usando un conector de alambres homologado por UL.
5. Instale la cubierta de la caja de empalmes.

Cable de 3 hilos del suministro eléctrico de la casa. Solo en EE. UU.

IMPORTANTE: Use el cable de 3 hilos del suministro eléctrico de la casa cuando los códigos locales permitan una conexión de 3 hilos.



- | | |
|---|---|
| A. Cable desde el suministro eléctrico de la casa | F. Hilo blanco (desde el suministro eléctrico de la casa) |
| B. Hilos rojos | G. Conector de cable homologado por UL |
| C. Hilos verdes (o desnudo) de puesta a tierra desde la superficie de cocción | H. Hilos negros |
| D. Cable de 3 hilos desde la superficie de cocción | I. Conector de conducto con paso para cables homologado por UL o aprobado por CSA |
| E. Caja de empalmes | |

1. Conecte los 2 alambres rojos (B) juntos usando un conector de alambres homologado por UL.
2. Conecte el alambre verde (o desnudo) del cable de la superficie de cocción (C) al alambre blanco (neutro) (F) en la caja de empalmes usando un conector de alambres homologado por UL.
3. Conecte los 2 alambres negros (H) juntos usando un conector de alambres homologado por UL.
4. Instale la cubierta de la caja de empalmes.

Finalización de la instalación

1. Verifique que todas las piezas estén ahora instaladas. Si hay alguna pieza extra, vuelva a revisar todos los pasos para ver cuál se omitió.
2. Verifique que tenga todas las herramientas.
3. Deseche/recicle todos los materiales de embalaje.
4. Use una solución suave de limpiador doméstico líquido y agua tibia para limpiar la superficie de cocción antes de utilizarla. Seque meticulosamente con un paño suave. Para más información, vea la sección "Cuidado de la superficie de cocción" del Manual de uso y cuidado.
5. Lea "Uso de la superficie de cocción" en el Manual de uso y cuidado de la superficie de cocción.
6. Reconecte el suministro eléctrico.

NOTA: Si la superficie de cocción no funciona después de haber encendido el suministro eléctrico, verifique que no se haya disparado el disyuntor o que no se haya quemado un fusible de la casa. Vea la sección "Solución de problemas" en el Manual de uso y cuidado para recibir información adicional.

Si necesita ayuda o servicio técnico:

Consulte la sección "Ayuda o servicio técnico" del Manual de uso y cuidado o póngase en contacto con el distribuidor a quien le compró la superficie de cocción.

NOTAS

NOTAS

NOTAS

NOTAS

NOTAS

NOTAS

