

Frigidaire



Top Freezer Refrigerator

13.9 Cu. Ft. Top Freezer Refrigerator

FFHT1425VW, FFHT1425VB, FFHT1425VV

Available Colors : White, Black, Brushed Steel

Version : 07/21

Refrigerator

Crisper Color	Clear
Door Bin Color	White
Interior Lighting	LED
Shelf Material	Glass
Number of Fixed Gallon Door Bins	2
Number of Adjustable Shelves	2
Number of Crispers	1

Freezer

Automatic Defrost	Yes
Baskets / Bins Color	White
Shelf Material	Glass
Number of Fixed Door Bins	2
Number of Adjustable Shelves	1

Ice Maker

Ice Maker	No
Ice Maker Ready	Yes

Controls

Digital Display	No
-----------------	----

Dimensions and Volume

Height With Hinge	60 1/2"
Height Without Hinge	59 7/8"
Width	27 5/8"
Width of Cabinet	27 5/8"
Depth of Cabinet	25 1/4"
Depth With Door	29 3/8"
Depth With Door 90° Open	53 5/8"
Depth With Door and Handle	29 3/8"
Freezer Capacity	3.9 Cu. Ft.
Fresh Food Capacity	10 Cu. Ft.
Total Capacity	13.9 Cu. Ft.

Electrical Specifications

Minimum Circuit Required	15 Amps
--------------------------	---------

General Specifications

Annual Energy	332 kWh
Product Weight	131.1 lbs
Refrigerant Type	R-600A
Warranty - Labor	1 Year
Warranty - Parts	1 Year

Certifications and Approvals

ADA Compliant	Yes
---------------	-----

Performance Certifications and Approvals

ENERGY STAR Certified	Yes
-----------------------	-----

Safety Certifications and Approvals

UL Listed	Yes
-----------	-----

Note: For planning purposes only. Always consult local and national electric, gas and plumbing codes.

Refer to Product Installation Guide for detailed installation instructions on the web at frigidaire.com / frigidaire.ca

Specifications subject to change. Accessories information available on the web at frigidaire.com / frigidaire.ca

USA • 10200 David Taylor Drive • Charlotte, NC 28262 • 1-800-FRIGIDAIRE • frigidaire.com

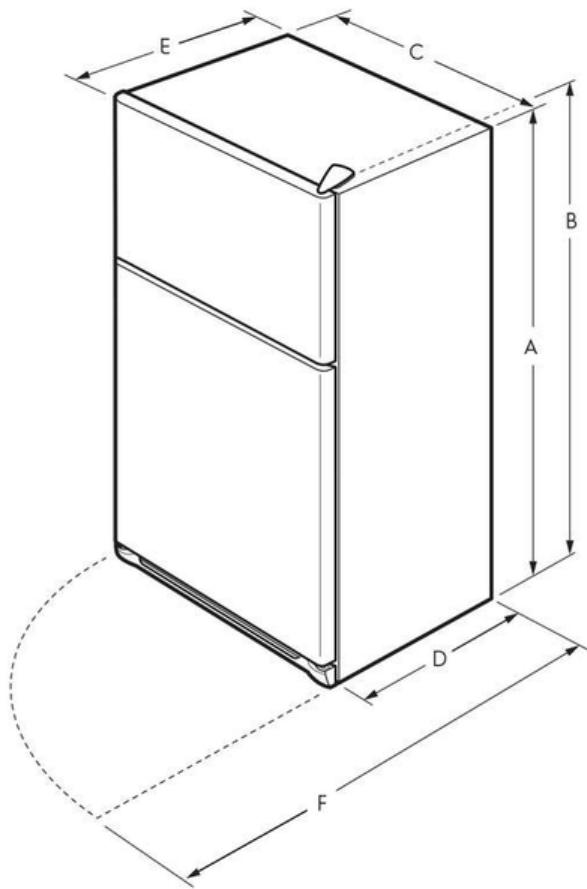
CANADA • 5855 Terry Fox Way • Mississauga, ON L5V 3E4 • 1-800-265-8352 • frigidaire.ca

Frigidaire

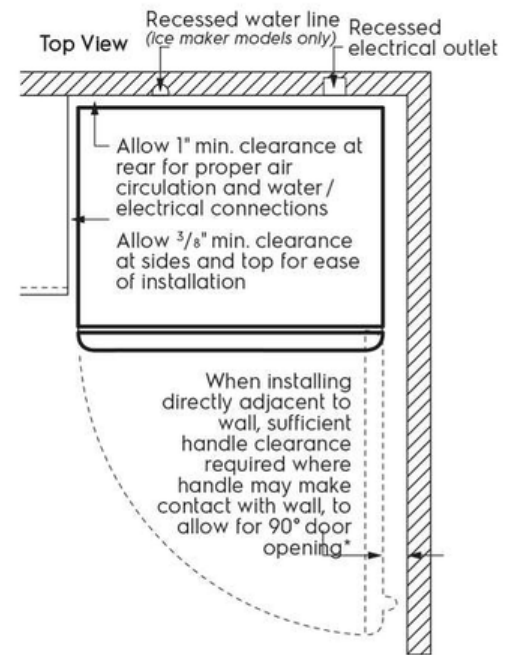
13.9 Cu. Ft. Top Freezer Refrigerator

FFHT1425VW, FFHT1425VB, FFHT1425VV

Version : 07/21



A	59 ⁷ / ₈ "
B	60 ¹ / ₂ "
C	27 ⁵ / ₈ "
D	25 ¹ / ₄ "
E	29 ³ / ₈ "
F	53 ⁵ / ₈ "



* When installing refrigerator adjacent to wall, cabinet or other appliance that extends beyond front edge of unit, 20" minimum clearance recommended to allow for optimum 140° door swing, providing complete crisper access and removal. (Absolute 3" minimum clearance will ONLY allow for 90° door swing which will provide limited crisper access with restricted removal.)

Note: For planning purposes only. Always consult local and national electric, gas and plumbing codes.

Refer to Product Installation Guide for detailed installation instructions on the web at frigidaire.com / frigidaire.ca

Specifications subject to change. Accessories information available on the web at frigidaire.com / frigidaire.ca

USA • 10200 David Taylor Drive • Charlotte, NC 28262 • 1-800-FRIGIDAIRE • frigidaire.com

CANADA • 5855 Terry Fox Way • Mississauga, ON L5V 3E4 • 1-800-265-8352 • frigidaire.ca