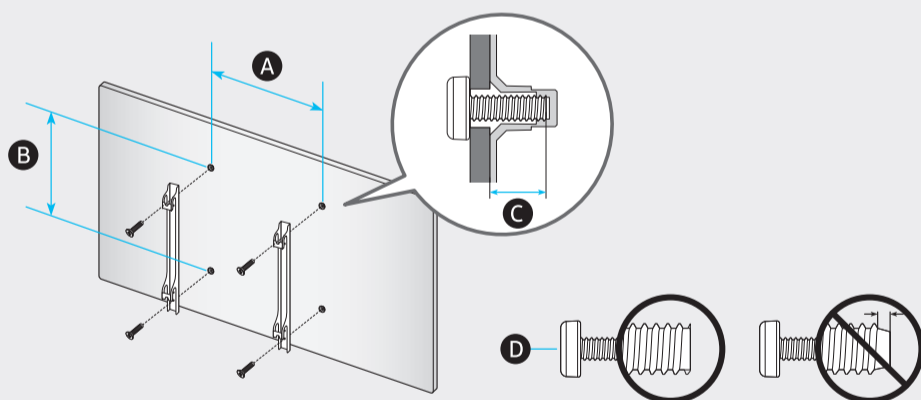


	A	B	C	D	E	F	G	H	I
75Q6*A	66.0 inches (1676.7 mm) (167.67 cm)	37.8 inches (960.3 mm) (96.03 cm)	1.0 inches (26.6 mm) (2.66 cm)	39.6 inches (1005.5 mm) (100.55 cm)	40.6 inches (1030.5 mm) (103.05 cm)	11.4 inches (340.4 mm) (34.04 cm)	74.5 inches (189 cm)	70.8 lbs (32.1 kg)	73.4 lbs (33.3 kg)
85Q6*A	74.8 inches (1900.9 mm) (190.09 cm)	42.8 inches (1086.1 mm) (108.61 cm)	1.1 inches (26.9 mm) (2.69 cm)	44.5 inches (1129.1 mm) (112.91 cm)	45.4 inches (1154.1 mm) (115.41 cm)	15.6 inches (396.6 mm) (39.66 cm)	84.5 inches (214 cm)	91.5 lbs (41.5 kg)	96.1 lbs (43.6 kg)
75AU8***	66.0 inches (1676.7 mm) (167.67 cm)	37.8 inches (960.3 mm) (96.03 cm)	1.0 inches (26.6 mm) (2.66 cm)	39.5 inches (1003.4 mm) (100.34 cm)	40.5 inches (1028.4 mm) (102.84 cm)	13.1 inches (332.2 mm) (33.22 cm)	74.5 inches (189 cm)	70.8 lbs (32.1 kg)	73.4 lbs (33.3 kg)
85AU8***	74.8 inches (1900.9 mm) (190.09 cm)	42.8 inches (1086.1 mm) (108.61 cm)	1.1 inches (26.9 mm) (2.69 cm)	44.5 inches (1131.5 mm) (113.15 cm)	45.5 inches (1156.5 mm) (115.65 cm)	15.5 inches (394.7 mm) (39.47 cm)	84.5 inches (214 cm)	91.5 lbs (41.5 kg)	95.9 lbs (43.5 kg)

\*: 0-9, A-Z



	VESA A x B (mm)	C (mm)	D x 4
75Q6*A	400 x 400	11-13	M8
85Q6*A	600 x 400		
75AU8***	400 x 400		
85AU8***	600 x 400		

\*: 0-9, A-Z

**SAMSUNG**

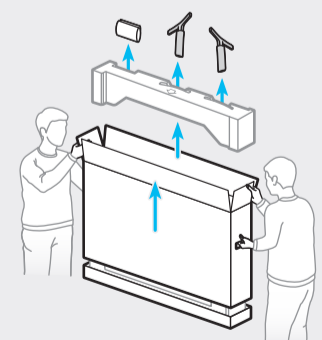
QUICK SETUP GUIDE  
 GUIDE D'INSTALLATION RAPIDE  
 GUÍA RÁPIDA DE CONFIGURACIÓN  
 GUIA RÁPIDO DE INSTALAÇÃO  
 KURZANLEITUNG ZUR KONFIGURATION  
 GUIDA DI INSTALLAZIONE RAPIDA



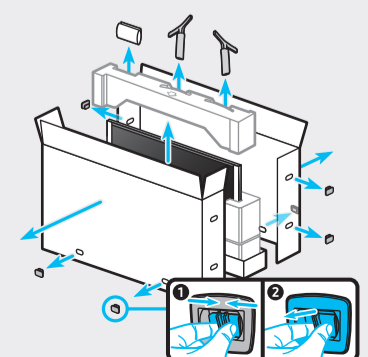
BN68-12564D-00



**75"**

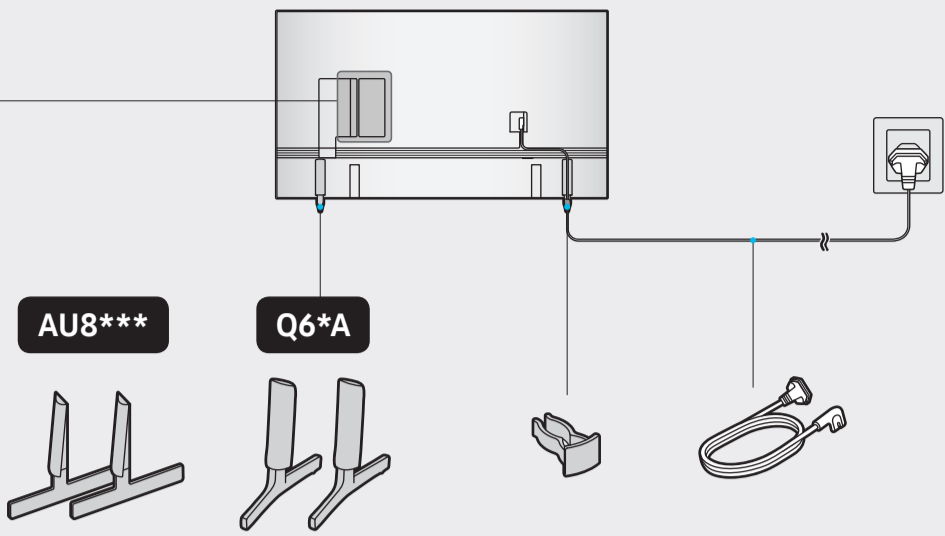


**85"**

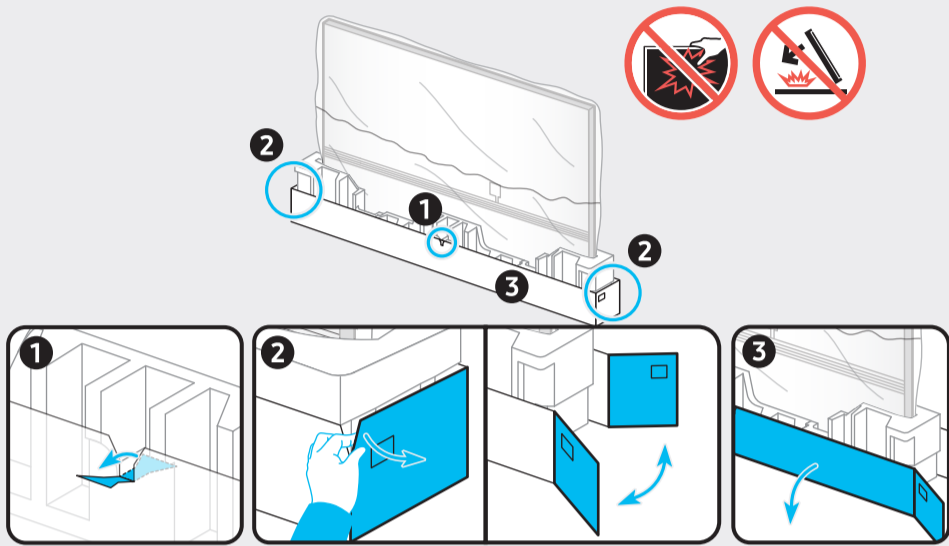




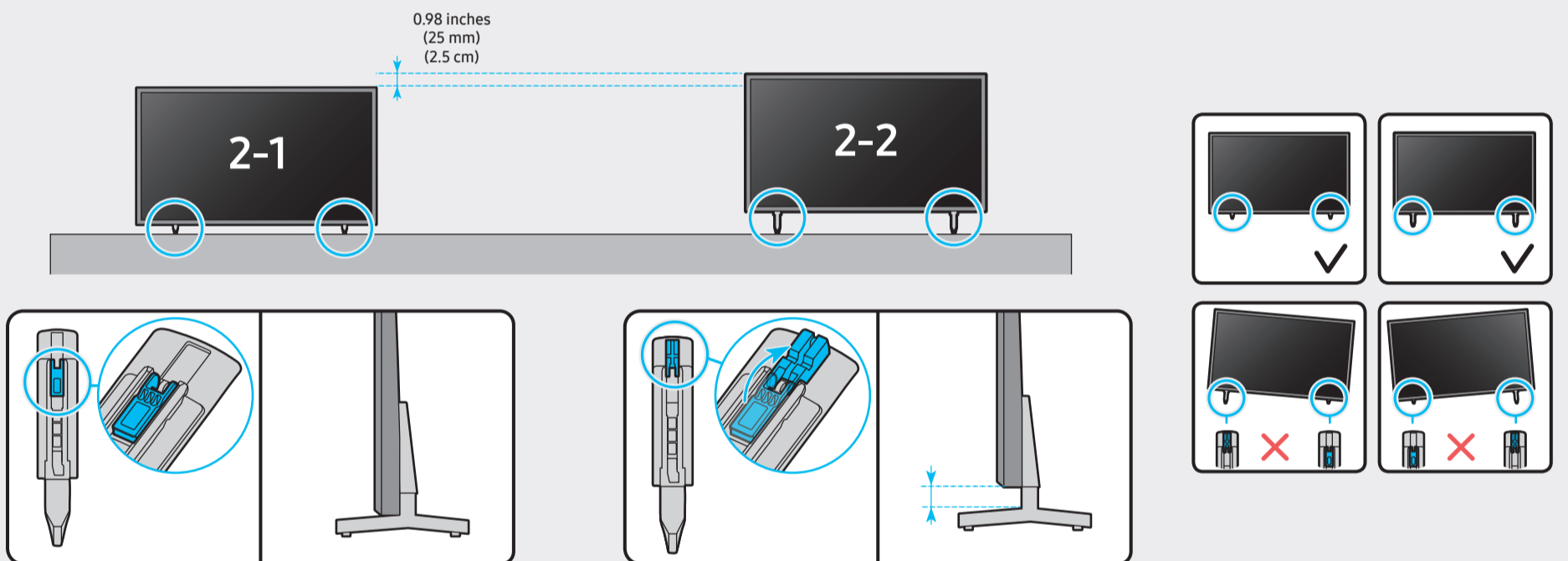
		USB +G
		HDMI (eARC)
		HDMI
		LAN
		ANT



1



2



3

