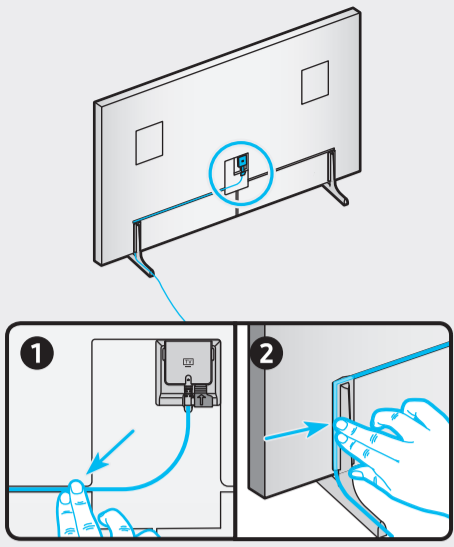
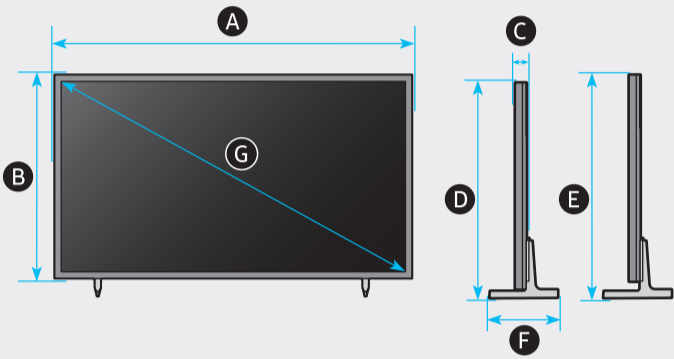
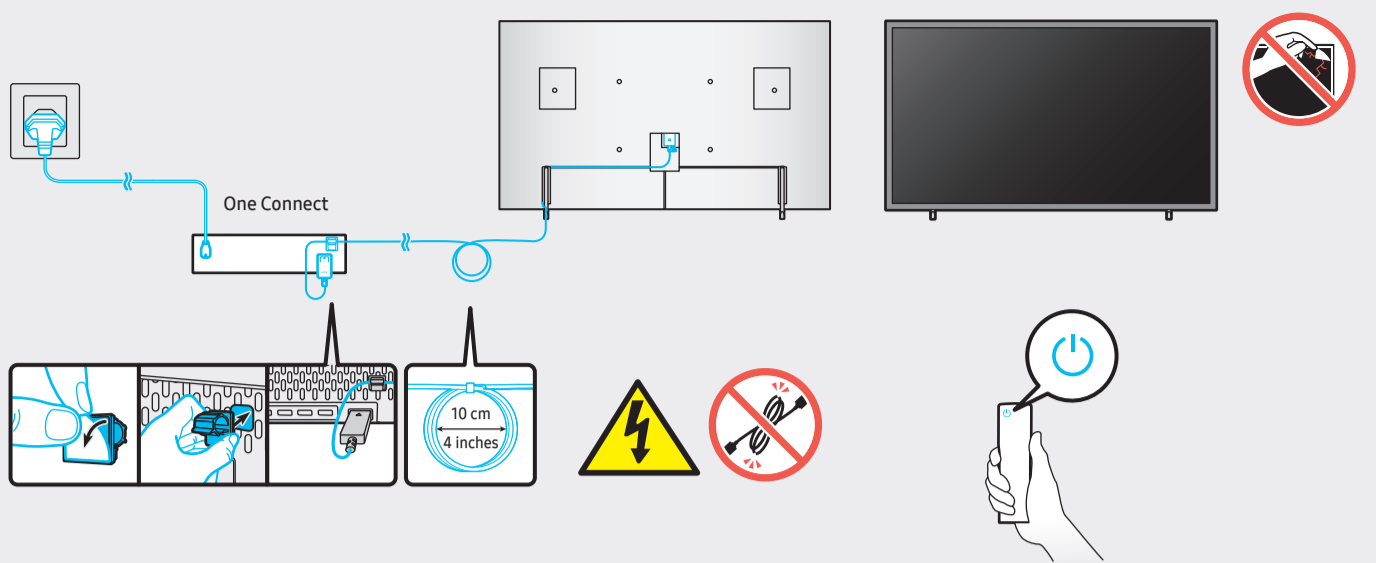


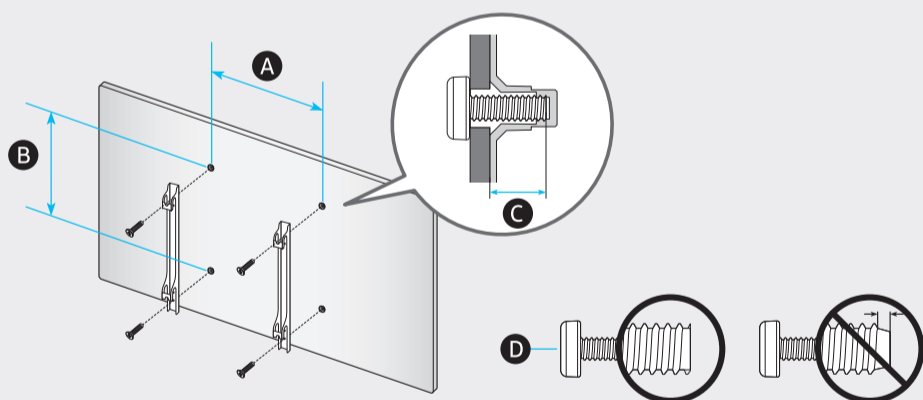
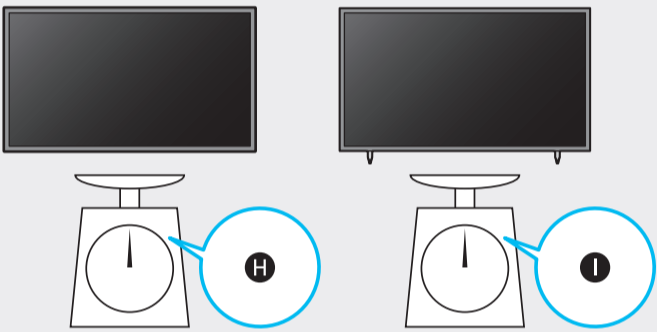
5



6



	A	B	C	D	E	F	G	H	I
QN55LS03A	48.7 inches (1237.9 mm) (123.79 cm)	27.9 inches (708.8 mm) (70.88 cm)	1.0 inches (24.9 mm) (2.49 cm)	29.3 inches (743.4 mm) (74.34 cm)	30.3 inches (768.4 mm) (76.84 cm)	9.0 inches (227.8 mm) (22.78 cm)	54.6 inches (138 cm)	36.6 lbs (16.6 kg)	37.5 lbs (17.0 kg)
QN65LS03A	57.4 inches (1456.8 mm) (145.68 cm)	32.8 inches (831.9 mm) (83.19 cm)	1.0 inches (24.9 mm) (2.49 cm)	34.2 inches (868.9 mm) (86.89 cm)	35.2 inches (893.9 mm) (89.39 cm)	10.3 inches (260.9 mm) (26.09 cm)	64.5 inches (163 cm)	48.7 lbs (22.1 kg)	49.6 lbs (22.5 kg)



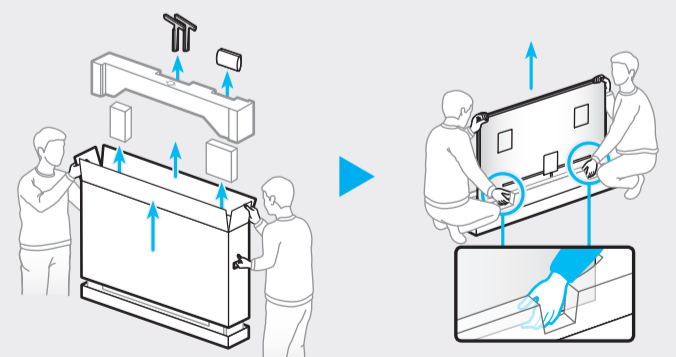
	VESA A x B (mm)	C (mm)	D x 4
QN55LS03A	200 x 200	10-12	M8
QN65LS03A	400 x 300		

SAMSUNG

QUICK SETUP GUIDE
GUIDE D'INSTALLATION RAPIDE
GUÍA RÁPIDA DE CONFIGURACIÓN
GUIA RÁPIDO DE INSTALAÇÃO



55"



65"

