

WF50T8500AV

SAMSUNG

Samsung Smart Front Load Washer with Super Speed
5.8 cu.ft. capacity IEC.



Signature Features

Super Speed

Wash a full load of laundry in just 30 minutes¹, without sacrificing cleaning performance.

Bixby Enabled

Wi-Fi connected so you can remotely start or stop your cycle, schedule laundry on your time, receive end of cycle alerts, and do more right from your smartphone.²

5.8 Cu.Ft. Extra-large Capacity

Fewer loads means less time in the laundry room and more time for you.

Available Colour




Black Stainless Steel




Super Speed



Bixby Enabled 

Features

- Bixby Enabled 
- Super Speed¹
- Steam
- VRT Plus™ Technology
- Swirl Drum Design
- Self Clean+
- Internal Water Heater
- 1200 RPM Maximum Spin Speed
- Direct Drive Motor
- 12 Preset Washing Cycles
- 10 Additional Washing Options
- 5 Temperature Levels
- LED Display: Ice Blue
- 24-Hour Delay End

Convenience

- Child Lock
- Delay End
- Dispenser Trays: Main Wash, Softener, Bleach

Rating



ENERGY STAR® - Rated
CEE Tier 2
IMEF = 2.92
IWF = 2.9

¹Based on using Super Speed on a normal cycle with an 8lb load.

²The Samsung SmartThings application is required and is available on Android and iOS devices. A Wi-Fi connection is required. User will be solely responsible for any consequence(s) that may result, including but not limited to any damage or harm caused by incorrect information provided by the user.

WF50T8500AV

SAMSUNG

Samsung Smart Front Load Washer with Super Speed 5.8 cu.ft. capacity IEC.

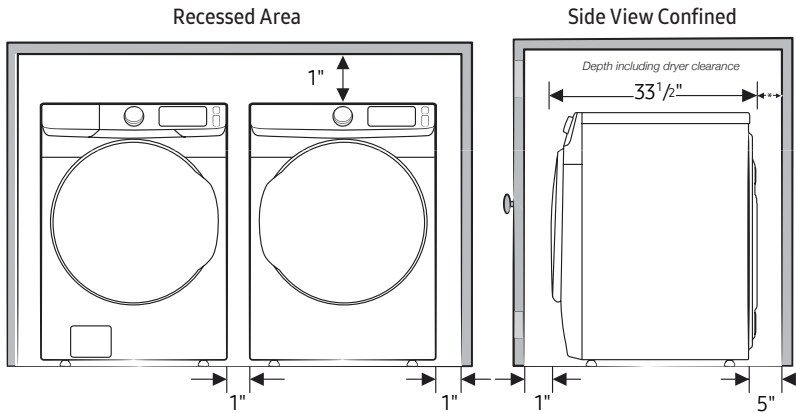
Installation Specifications

If the washer and dryer are installed together or the dryer alone, the closet front must have two unobstructed air openings for a combined minimum total area of 72-inch² (see stacked build below). Your washer alone does not require a specific air opening.

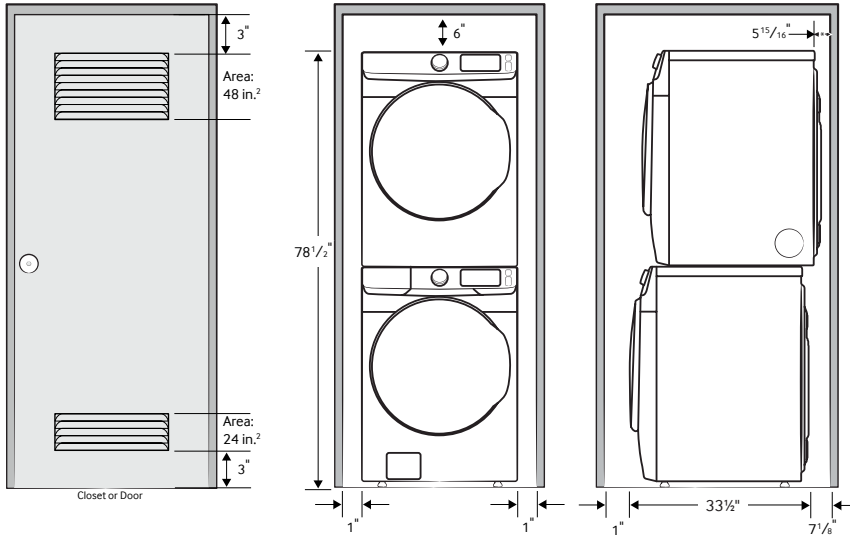
* Required spacing (External exhaust elbow may require additional space.)

1. Alcove or closet installation

Minimum Clearance for Closet and Alcove Installations:

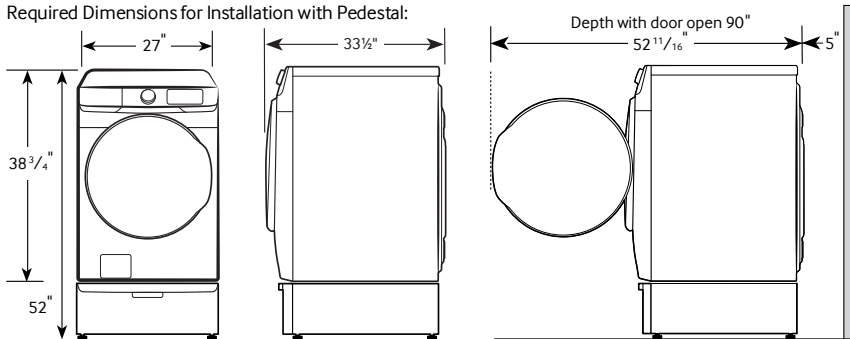


2. With stacked washer and dryer



Dimensions

Required Dimensions for Installation with Pedestal:



12 Preset Washing Cycles:

Normal, Heavy Duty, Bedding, Quick Wash, Permanent Press, Delicates, Whites, Sanitize, Activewear, Rinse and Spin, Self Clean.

10 Additional Washing Options:

Presoak, Steam, Delay End, Smart Control, Super Speed, Drum Light, Alarm Off, Child Lock, Smart Care, Spin Only

5 Temperature Levels:

Hot, Warmer, Warm, Cool, Cold

5 Spin Speeds:

High, Medium High, Medium, Low, No Spin

5 Soil Levels:

Heavy, Medium Heavy, Normal, Medium Low, Light

Dispenser Trays:

Main Wash, Softener, Bleach

Warranty

One (1) Year Parts and Labor

Ten (10) Years Direct Drive Motor (Part Only)

Product Dimensions & Weight (WxHxD)

Dimensions: 27" x 38 7/10" x 33 1/2"

Weight: 214 lbs

Shipping Dimensions & Weight (WxHxD)

Dimensions: 29 3/8" x 42 2/5" x 35 2/5"

Weight: 218 lbs

Colour

Black Stainless Steel

Model

WF50T8500AV

UPC Code

887276398754

Matching Dryer

Black Stainless Steel

DVE50R8500V

887276406893

Pedestal

Black Stainless Steel

WE402NV

887276310145

Accessories

Stacking Kit

SKK-8K

887276344034