

RS22T5561SR

SAMSUNG

21.5 cu. ft. Side-By-Side Counter-Depth Refrigerator with Family Hub™



Family Hub

Family Connection

- Family Connection: share pictures and messages, manage family's calendars.
- Food Management: internal cameras show what food you have to see inside the fridge on your smartphone¹.
- Fun: mirror shows, movies, or live sports from your Samsung TV² or music apps straight from the fridge.
- Connected Living: control compatible appliance and IoT devices with SmartThings³.

Large Capacity with SpaceMax Technology™

- A completely redesigned interior with 27 cu. ft. capacity⁴.

All Around Cooling System

- Cools the entire fridge evenly from corner to corner.

Digital Inverter Compressor

- Automatically adjusts its speed in response to cooling demand across 7 levels. As a result, it's quieter and uses up to 50% less power.

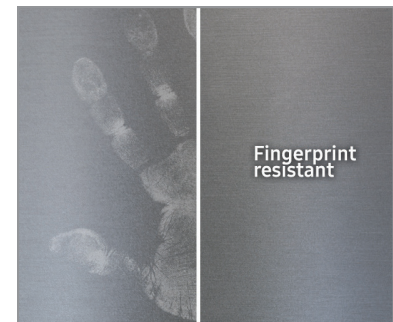
Available Colours



Fingerprint Resistant
Stainless Steel



Large Capacity



Fingerprint Resistant

Features

- Built-in Look with Counter-Depth
- Fingerprint Resistant Finish
- Minimal Display Dispenser: external filtered water and ice
- LED Lighting
- 25W Speaker
- Wi-Fi and Bixby Enabled
- All-Around Cooling
- In-Door Ice Maker
 - Stores up to 4.4 lbs of Ice

Convenience

- Four Gallon Door Bins
- Two Clear Drawers
- Adjustable Top Shelf
- Door Alarm
- Water Filter Indicator

Rating



ENERGY STAR® rated:
636 kWh/yr

¹Requires the Samsung SmartThings App. Available on Android and iOS devices. A Wi-Fi connection and a Samsung account are required.

²Compatible TVs are: 2015-2017 models of Smart TV: J/KMU6400 series or higher, 2018 models of Smart TV: NU7400 series or higher, 2019 models of Smart TV: Q60R series or higher. Please check the compatibility information for new TVs on samsung.com.

³Available on Android and iOS devices. A Wi-Fi connection and a Samsung account are required.

⁴When compared to Samsung 3-Door model RF263BEAE with 24.6 cu. ft. capacity.

RS22T5561SR

SAMSUNG

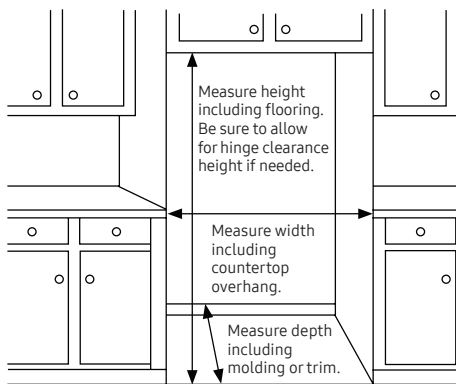
21.5 cu. ft. Side-By-Side Counter-Depth Refrigerator with Family Hub™

Installation Specifications

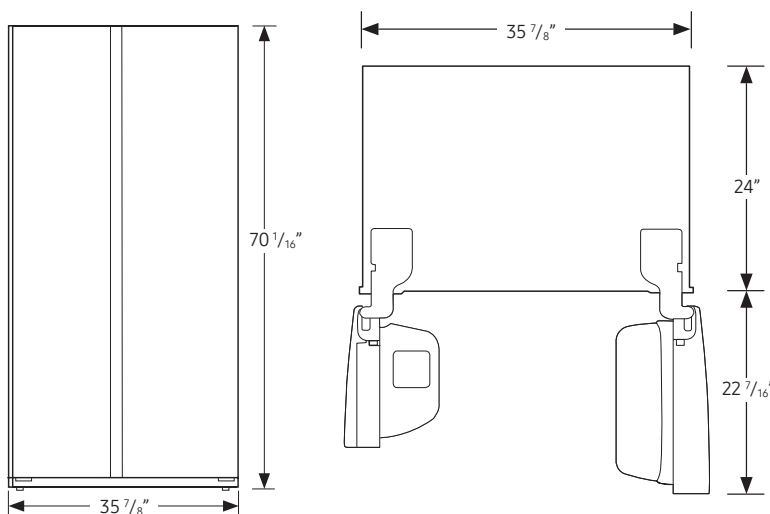
1. Measure the height, width and depth of the opening, making sure to include baseboards, molding tile, countertop overhang, etc. Check to be sure there is enough room to open the door (consider walls, islands or other obstacles when measuring).
2. Refer to illustration below to determine dimensions.
4. Allow 2" minimum clearance at rear for proper air circulation and water/ electrical connections. Allow a 3/8" minimum clearance at sides and top for ease of installation.
5. Ensure each door and entryway in the home is wide enough for the refrigerator to be moved through easily.

For optimal usage and to be able to open refrigerator doors completely, do not install next to a wall.

Please note: The following dimension and cutout information is for planning purposes only. For complete installation details, consult manual packed with product, or download manual online at samsung.com.



Dimensions



Total Capacity: 21.5 cu. ft.

Refrigerator: 14.1 cu. ft.

- 4 Tempered Glass Shelves
- 2 Clear Drawers
- 5 Door Bins
 - 1 Gallon Bin
 - 4 Door Bins
- LED Lighting

Freezer: 7.4 cu. ft.

- External Filtered Water and Ice Dispenser (Crushed or Cubed Ice)
- In-Door Ice Maker
- 4 Tempered Glass Shelves
- 2 Drawers, 1 with Flip Cover
- 2 Door Bins
- LED Lighting

Accessories

Water Filter: HAF-QIN

Warranty

One (1) Year Parts and Labour on Refrigerator
Ten (10) Years Parts on Digital Inverter Compressor

Product Dimensions & Weight (WxHxD)

Dimensions (WxHxD with hinges, handles, doors and dispenser): 35 7/8" x 70 1/8" x 28 5/8"

Dimensions (WxHxD without hinges and door): 35 7/8" x 68 3/4" x 24"

Dimensions (WxHxD with hinge and door, no handle): 35 7/8" x 70 1/8" x 28 5/8"

Weight: 253.5 lbs (115 Kg)

Shipping Dimensions & Weight (WxHxD)

Dimensions: 37 3/4" x 75 3/8" x 30 1/8"

Weight: 276 lbs (125 Kg)

Colour	Model #	UPC Code
Fingerprint Resistant Stainless Steel	RS22T5561SR	887276383392