

RF23M8070SG

SAMSUNG

23 cu. ft. Counter-Depth, 4-Door French Door Refrigerator



Signature Features

FlexZone™ Drawer

- A flexible storage drawer with four different temperature settings and an adjustable Smart Divider to stay organized.

Twin Cooling Plus™

- Optimizes the temperature and humidity in the fridge and freezer with an independent cooling system.



AutoFill Water Pitcher

- A built-in pitcher that refills with filtered water and the option to infuse with a flavour of your choice.

Fingerprint Resistance

- Avoid smudges with fingerprint resistant stainless steel.

Available Colours

-  Fingerprint Resistant Black Stainless Steel (shown)
-  Fingerprint Resistant Stainless Steel



FlexZone™ Drawer



AutoFill Water Pitcher

Features

- AutoFill Water Pitcher
- FlexZone™ Drawer with 4 Temperature Settings and Smart Divider
- Wi-Fi Ready¹
- Adjustable Shelves
- Auto Pull-Out Upper Freezer Drawer
- Sabbath Mode
- Counter-Depth
- Fingerprint Resistant Finish
- External Filtered Water and Ice Dispenser
- High Efficiency LED Lighting
- Twin Cooling Plus®
- Ice Max - Stores up to 2.7 lbs of ice
- ENERGY STAR® Compliant

Convenience

- Power Freeze and Power Cool Options
- CoolTight Door
- Door Alarm
- Water Filter Indicator
- Tempered Glass Spill-Proof Shelves
- Gallon Door Bins
- Dispenser Light

Rating



ENERGY STAR® rated:
CEE Tier 2
633 kWh/yr

¹ Wi-Fi dongle is required.

RF23M8070SG

SAMSUNG

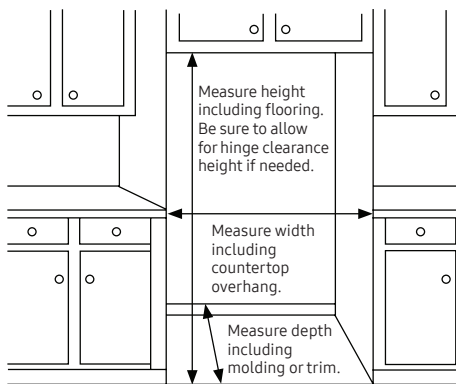
23 cu. ft. Counter-Depth, 4-Door French Door Refrigerator

Installation Specifications

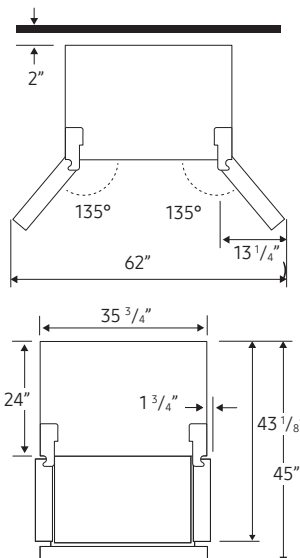
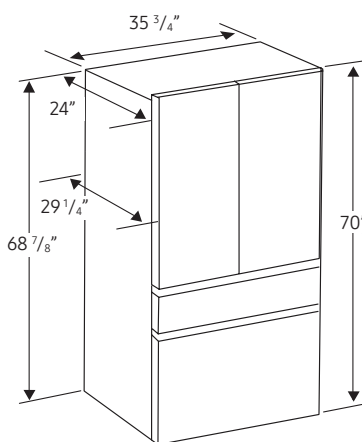
1. Measure the height, width and depth of the opening, making sure to include baseboards, molding tile, countertop overhang, etc. Check to be sure there is enough room to open the door (consider walls, islands or other obstacles when measuring).
2. Refer to illustration below to determine dimensions.
3. Allow 3.75" of clearance on hinge side of refrigerator when installing next to a wall where handle may make contact.
4. Allow 2" minimum clearance at rear for proper air circulation and water/electrical connections. Allow a 3/8" minimum clearance at sides and top for ease of installation.
5. Ensure each door and entryway in the home is wide enough for the refrigerator to be moved through easily.

For optimal usage and to be able to open refrigerator doors completely, do not install next to a wall.

Please note: The following dimension and cutout information is for planning purposes only. For complete installation details, consult manual packed with product, or download manual online at samsung.com.



Dimensions



Total Capacity: 22.6 cu. ft.

Refrigerator: 12.9 cu. ft.

- 2 Humidity-Controlled Crispers
 - 1 Slide-In
 - 1 Foldable Half
 - 2 Fixed
 - 1 Full-Width Glass Shelf on Crisper
- 7 Door Bins
 - Right Door: 3 Gallon Bins
 - Left Door: 4 Regular Bins
- High Efficiency LED Lighting

FlexZone™ Drawer: 3.1 cu. ft.

- 4 Temperature Zones with Smart Divider
 - Meat/Fish (5°C)
 - Cold Drinks (3°C)
 - Deli/Snacks (1°C)
 - Wine/Party Dishes (-1°C)

Freezer: 6.6 cu. ft.

- 1 Drawer Divider
- High Efficiency LED Lighting

Warranty

One (1) Year Parts and Labour on Refrigerator
Ten (10) Years Parts on Digital Inverter Compressor

Product Dimensions & Weight (WxHxD)

Dimensions (WxHxD with hinges, handles and doors):

35 3/4" x 70" x 29 1/4"

Dimensions (WxHxD without hinges and door):

35 3/4" x 68 7/8" x 24"

Dimensions (WxHxD with hinge and door, no handle):

35 3/4" x 70" x 29 1/4"

Weight: 342 lbs (155.1 Kg)

Shipping Dimensions & Weight (WxHxD)

Dimensions: 38 1/4" x 75 3/4" x 31 1/4"

Weight: 366 lbs (166 Kg)

Colour	Model #	UPC Code
Fingerprint Resistant Black Stainless Steel	RF23M8070SG	887276192598
Fingerprint Resistant Stainless Steel	RF23M8070SR	887276192604