

NV31T4551SS

SAMSUNG

24" Single Wall Oven



Signature Features

True Convection

- A heated fan distributes heat all around the oven and keeps the temperature constant so dishes are cooked quickly and thoroughly.

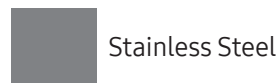
Digital Touch Controls with Wi-Fi¹

- Touch Controls offer an integrated and premium design that is easy to clean.

LED Lights

- Leave the oven door closed and save heat with lighting that allows you to check cooking progress.

Available Colours



Stainless Steel



True Convection



Digital Touch Controls

Features

- 3.1 cu. ft. Capacity
- Wi-Fi Connectivity
- Glass Touch Controls
- Catalytic & Steam Clean
- LED Lights
- Easy View Window
- Wire Racks
- Broil Element
- 5 Rack Positions
- Drop-Down Door Design
- ADA Compliant

Convenience

- Sabbath Mode
- Delay Start
- Child Safety Lock
- Proofing
- Warming Mode
- Kitchen Timer

¹The Samsung SmartThings application is required and is available on Android and iOS devices. A Wi-Fi connection and a Samsung account are required.

NV31T4551SS

SAMSUNG

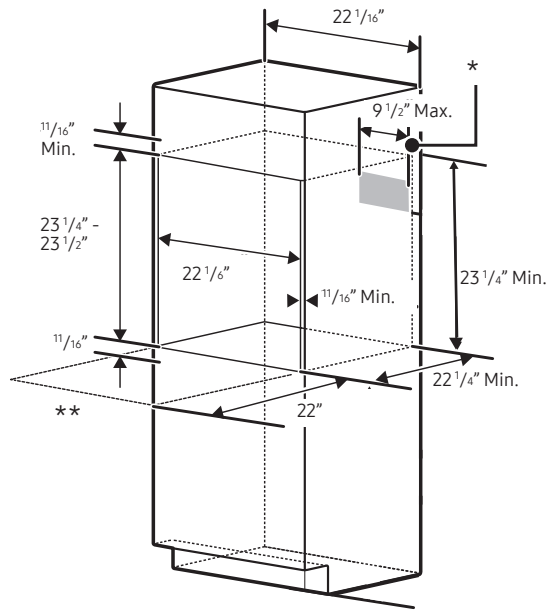
24" Single Wall Oven

Cabinet Dimensions

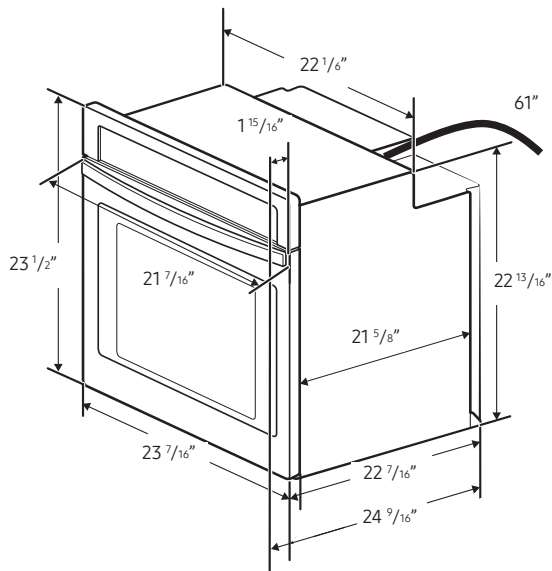
Single Oven Installed in Cabinet

* Junction Box

** Allow a minimum of 22" for clearance to adjacent corners, drawers, walls, etc., when door is open.



Product Dimensions



Total Capacity: 3.1 cu. ft.

- Bake: 175°F-550°F
- Broil: Low-High
- Proofing
- Sabbath Mode

Warranty

One (1) Year All Parts and Labour

Product Dimensions & Weight (WxHxD)

Outside (Max) Wall Oven Dimensions:

23 7/16" x 23 1/2" x 24 1/2"

Wall Oven Cut-Out Dimensions: 22 1/16" x 22 13/16" x 21 5/8"

Weight: 81.1 lbs (36.8 Kg)

Shipping Dimensions & Weight (WxHxD)

Dimensions: 27 3/4" x 26 3/16" x 26 7/8"

Weight: 93.7 lbs (42.5 Kg)

Colour

Stainless Steel

Model

NV31T4551SS/AA

UPC Code

887276406008

Technical Details

A circuit breaker is recommended. Use the chart below to determine the minimum recommended dedicated circuit protection.

KW Rating (240 V)	KW Rating (208 V)	Recommended Circuit Size (Dedicated)
≤ 4.8 KW	≤ 4.1 KW	20 Amp
4.9 KW - 7.5 KW	4.3 KW - 6.2 KW	30 Amp
7.3 KW - 9.6 KW	6.3 KW - 8.3 KW	40 Amp
9.7 KW - 12.0 KW	8.4 KW - 10.4 KW	50 Amp

Power	Power Plug	Conduit Type (Provides only wire)
	Power	120/240V 60Hz (Single phase) 120/208V 60Hz (Third phase)

	Max Output	Power Consumption
NV31T4551SS/AA	3.25kW	3.25kW