

# NE59T4311SS

SAMSUNG

## 5.9 cu. ft. Freestanding Electric Range



### Signature Features

#### 5.9 cu. ft. Capacity

- Cook multiple dishes at once or accommodate larger items for the holidays.

#### Flexible Cooktop

- Accommodates multiple pan sizes on 5 specialized elements with two dual elements.

#### Self Clean

- Cycle with 2, 3, or 5 hour settings for various cleaning needs.

### Available Colours



Stainless Steel



5.9 cu. ft. Capacity



Powerful/Flexible Cooktop

### Features

- Flexible Cooktop
  - Five Electric Elements
  - Two Dual Elements (6"/9")
  - Two Single Elements (6")
  - One Warming Center (7")
- Wide View Window
- Hidden Bake Element
- Storage Drawer
- Sabbath Mode
- 2 Chrome Racks
- Flat Handle

### Convenience

- Self Clean
- Delay Bake
- Hot Surface Indicator Light
- Auto Oven Light
- Kitchen Timer
- Child Safety Lock

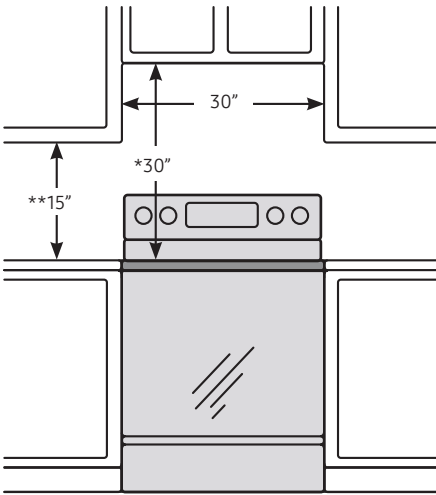
# NE59T4311SS

SAMSUNG

## 5.9 cu. ft. Freestanding Electric Range

### Installation Specifications

**IMPORTANT:** To eliminate the risk of burns or fire caused by reaching over heated surface units, avoid having cabinet storage space located above the surface units. If you have cabinet storage space over the heating elements, you can reduce the risk by installing a range hood that projects horizontally a minimum of 5 inches beyond the bottom of the cabinets.



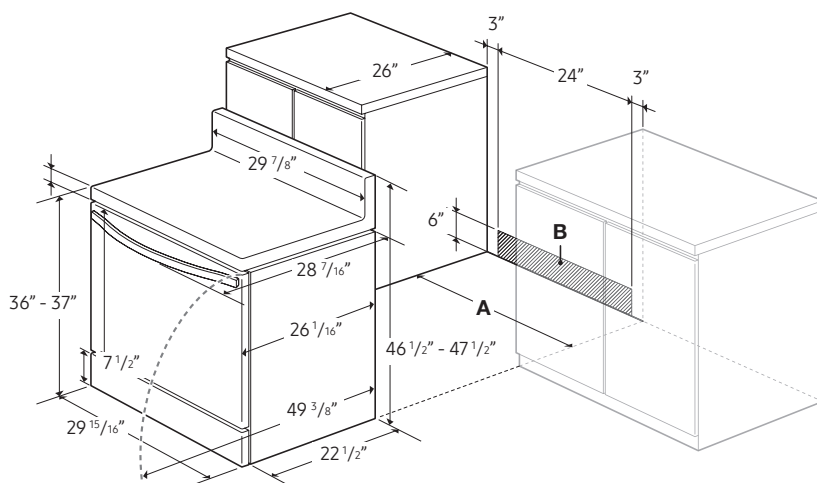
\* A minimum of 30" is required between the top of the cooking surface and the bottom of an unprotected wood or metal cabinet; a minimum of 24" is required if the bottom of the wood or metal cabinet is protected by not less than 1/4" of flame retardant millboard covered with not less than no.28 MSG of sheet steel, 0.015" of stainless steel, 0.024" of aluminum, or 0.020" of copper.

\*\* A minimum of 15" is required between the countertop and the adjacent cabinet bottom.

### Dimensions

**CAUTION:** This range has been designed to comply with the maximum allowable wood cabinet temperature of 194 °F (90 °C). Make sure the wall covering, countertops, and cabinets around the range can withstand the heat (up to 194 °F [90 °C]) generated by the range. If not, discolouration, delamination, or melting may occur.

### SLIDE-IN CUTOUT



**A:** Required Cabinet Opening is 30"  
**B:** Acceptable Electrical Outlet Space

### Radiant Ceramic Cooktop

- Right Front: 6"/9" Dual Element, 3000W
- Left Front: 6"/9" Dual Element, 3000W
- Right Rear: 6" Element, 1200W
- Left Rear: 6" Element, 1200W
- Centre Rear: 7" Warming Center

### Oven

- Capacity: 5.9 cu. ft.
- Hidden Bake Element: 2400W
- Bake: 175°F–550°F
- Broil: Low/High, 3400W
- Sabbath Mode

### Storage Drawer

- Capacity: 1.4 cu. ft.

### Warranty

One (1) Year Parts and Labour

### Product Dimensions & Weight (WxHxD)

Actual Oven Dimensions: 25" x 21 <sup>3</sup>/<sub>32</sub>" x 19 <sup>1</sup>/<sub>4</sub>"

Outside Net Dimensions:

29 <sup>7</sup>/<sub>8</sub>" x 46 <sup>1</sup>/<sub>2</sub>" x 28 <sup>7</sup>/<sub>16</sub>"

Weight: 153.4 lbs (69.6 Kg)

### Shipping Dimensions & Weight (WxHxD)

Dimensions: 33 <sup>3</sup>/<sub>10</sub>" x 50 <sup>2</sup>/<sub>5</sub>" x 30 <sup>3</sup>/<sub>10</sub>"

Weight: 166 lbs (75.3 Kg)

### Colour

Stainless Steel

### Model #

NE59T4311SS

### UPC Code

887276394770