

# NY63T8751SS

SAMSUNG

6.3 cu. ft. Dual Fuel Range with Flex Duo™



## Signature Features

### Flex Duo™

- Upper and lower cooking zones that work either independently or together so you can cook a variety of foods using different temperatures and time settings or use the whole oven for large dishes.

### Powerful, Flexible Cooktop

- Cook fast with 5 specialized burners, a 23K BTU Power Burner and one 5K Simmer Burner.

### Wi-Fi Connectivity

- Monitor and control the oven using the SmartThings App<sup>1</sup>. And control the oven with your voice using a voice assistant<sup>2</sup>, such as Samsung Bixby<sup>3</sup>, Amazon Alexa or Google Assistant.

### True Convection

- A heated fan distributes heat all around the oven and keeps the temperature constant so dishes are cooked quickly and thoroughly.

## Available Colours



Fingerprint Resistant  
Stainless Steel



Flex Duo™



Wi-Fi/Voice Control

## Features

- Intelligent User Experience
- Air Fry with included Air Fry Rack
- True Convection
- Wi-Fi Connectivity
- Flexible Cooktop
- Voice Control
- Fingerprint Resistant Finish

- Large Capacity – 6.3 cu. ft.
- 5 Gas Burners
- 5K Simmer Burner
- Reversible Cast Iron Grate
- Storage Drawer
- Gliding Rack

## Convenience

- Self & Steam Clean
- 2 Chrome Racks
- Auto Oven Light
- Sabbath Mode
- Kitchen Timer
- Delay Start
- Auto Shut-Off Option
- Child Safety Lock

<sup>1</sup>Available on Android and iOS devices. A Wi-Fi connection and a Samsung account are required.

<sup>2</sup>A Wi-Fi connection is required.

<sup>3</sup>Bixby is Samsung's brand of artificial intelligence (AI) / Internet of Things (IoT) voice assistant. A Samsung account is required.

# NY63T8751SS

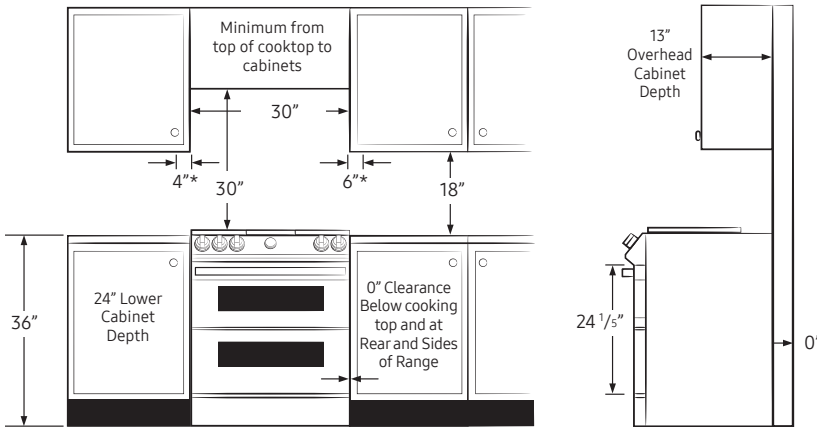
**SAMSUNG**

## 6.3 cu. ft. Dual Fuel Range with Flex Duo™

### Installation Specifications

**BEFORE YOU BEGIN** to install this appliance, refer to the following information, dimensions, and clearances. **Do not locate the range where it may be subject to strong drafts.** Provide adequate clearances between the range and adjacent combustible surfaces. These dimensions must be met for safe use of the range. The location of the electrical outlet and gas piping may be adjusted to meet the following dimensions and clearances. **For installation in Canada, a free-standing range is not to be installed closer than 4.7 in (12 cm) from any adjacent surface.**

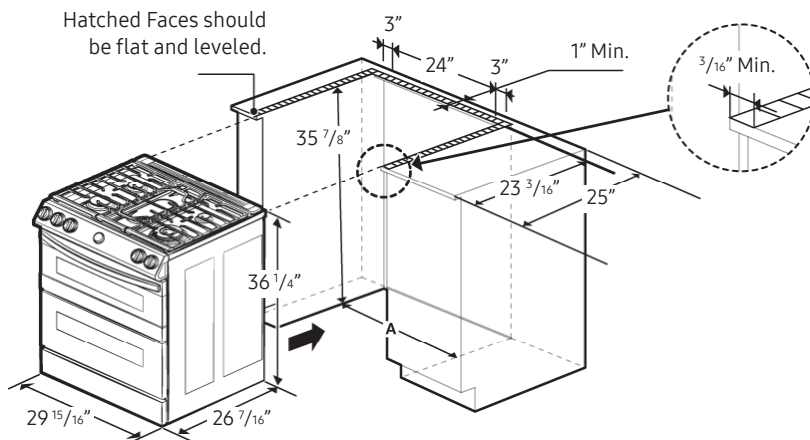
\*Side clearance above cooking surface to any objects, i.e., wall



### Dimensions

**CAUTION:** This range has been designed to comply with the maximum allowable wood cabinet temperature of 194 °F (90 °C). Make sure the wall covering, countertops, and cabinets around the range can withstand the heat (up to 194 °F [90 °C]) generated by the range. If not, discolouration, delamination, or melting may occur.

### SLIDE-IN CUTOUT



**A: Cabinet opening 30" (76.2)**

**IMPORTANT:** If your cabinet have height over 36 1/4", this range cannot be installed without supporting unit like hard block.

### Total Power

63.5K BTU

### Power Source

240V/60Hz/40A

### 5-Burner Cooktop

- Right Front: 23K BTU
- Left Front: 16K BTU
- Right Rear: 5K BTU
- Left Rear: 9.5K BTU
- Centre (Oval): 10K BTU

### Oven: 6.3 cu. ft. Capacity

- Bake: 175°F–550°F
- Bake Burner: 18K BTU
- Broil Burner: 16.5K BTU
- Upper Oven: 3.4 cu. ft.
- Lower Oven: 2.7 cu. ft.
- Variable Broil: Low/High (375°F–480°F)
- Sabbath Mode

### Storage Drawer

- Capacity: 1.0 cu. ft.

### Warranty

One (1) Year Parts and Labour

### Product Dimensions & Weight (WxHxD)

Outside Net Dimensions: 29 15/16" x 36 1/4"-37" x 28 11/16"

Weight: 236.3 lbs (107.2 Kg)

### Shipping Dimensions & Weight (WxHxD)

Dimensions: 33 1/16" x 41 3/4" x 30 5/16"

Weight: 262.1 lbs (118.9 Kg)

### Colour

Stainless Steel

### Model #

NY63T8751SS

### UPC Code

887276415277

### Recommended Locations for Gas Piping and Electrical Outlets

