

# NE63T8751SG

SAMSUNG

6.3 cu. ft. Slide-In Electric Range with Flex Duo™



## Signature Features

### Flex Duo™

- Upper and lower cooking zones that work either independently or together so you can cook a variety of foods using different temperatures and time settings or use the whole oven for large dishes.

### Intelligent User Experience

- Simplified control panel remembers your cooking habits while offering intuitive messaging on an LCD with one knob and minimum buttons.

### Air Fry

- The ideal way to cook healthier fried food as it eliminates excess fat, but everything is still crispy and brown outside and juicy inside.

### True Convection

- A heated fan distributes heat all around the oven and keeps the temperature constant so dishes are cooked quickly and thoroughly.

## Available Colours



Fingerprint Resistant  
Black Stainless Steel (shown)



Fingerprint Resistant  
Stainless Steel



Flex Duo™



Air Fry

## Features

- Flex Duo™
- Intelligent User Experience
- Air Fry with included Air Fry Rack
- True Convection
- Wi-Fi Connectivity
- Voice Control
- Fingerprint Resistant Finish
- Slide-In Design

- Flexible Cooktop  
– 5 Electric Elements
- Large Oven Capacity: 6.3 cu. ft.
- Storage Drawer
- Hidden Bake Element
- Soft Close Door
- Temperature Probe
- Gliding Rack

## Convenience

- Self Clean
- Illuminated Knobs
- Auto Oven Light
- Proofing
- Kitchen Timer
- Delay Start
- Auto Shut-Off Option
- Child Safety Lock
- Easy Preset Cook Options
- Sabbath Mode
- Soft Close Door
- Temperature Probe
- Gliding Rack

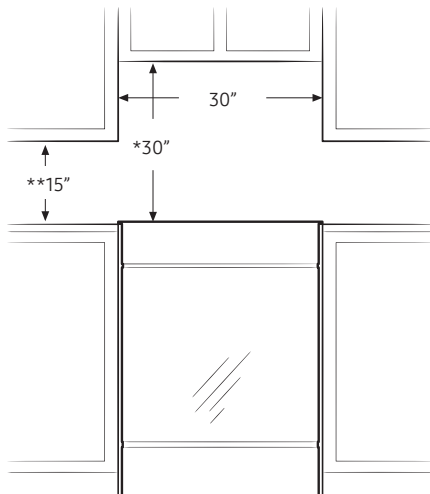
# NE63T8751SG

SAMSUNG

## 6.3 cu. ft. Slide-In Electric Range with Flex Duo™

### Installation Specifications

**IMPORTANT:** To eliminate the risk of burns or fire caused by reaching over heated surface units, avoid having cabinet storage space located above the surface units. If you have cabinet storage space over the heating elements, you can reduce the risk by installing a range hood that projects horizontally a minimum of 5 inches beyond the bottom of the cabinets.



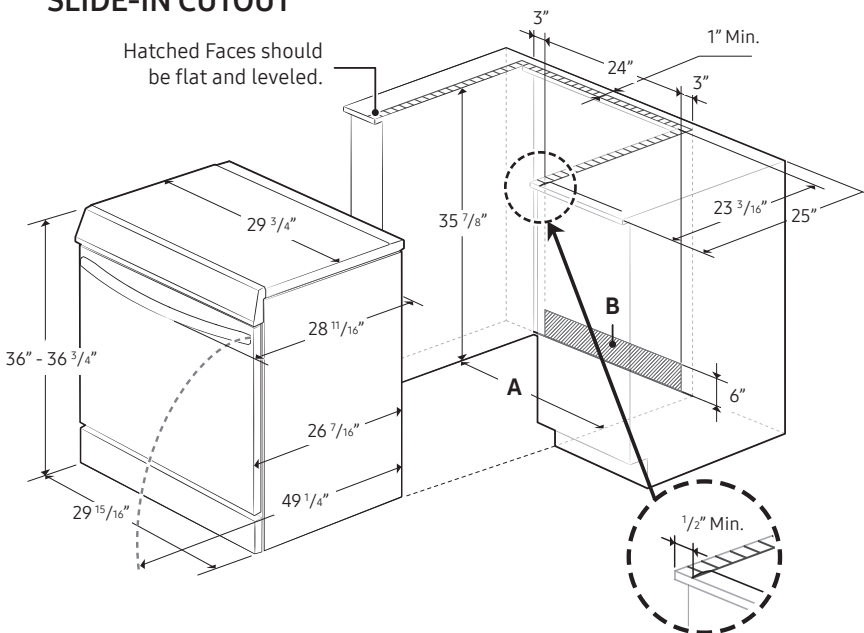
\* A minimum of 30" is required between the top of the cooking surface and the bottom of an unprotected wood or metal cabinet; a minimum of 24" is required if the bottom of the wood or metal cabinet is protected by not less than 1/4" of flame retardant millboard covered with not less than no.28 MSG of sheet steel, 0.015" of stainless steel, 0.024" of aluminum, or 0.020" of copper.

\*\* A minimum of 15" is required between the countertop and the adjacent cabinet bottom.

### Dimensions

**CAUTION:** This range has been designed to comply with the maximum allowable wood cabinet temperatures of 194 °F. Make sure the wall covering, countertops, and cabinets around the range can withstand the heat (up to 194 °F) generated by the range. If not, discolouration, delamination, or melting may occur.

### SLIDE-IN CUTOUT



### Power Source

240V/60Hz/40A

### Electric Ceramic Cooktop

- Right Front: 6"/9"/12", 3000W
- Left Front: 6"/9", 3600W
- Right Rear: 6", 1200W
- Left Rear: 6", 1200W
- Warm Center: 7", 100W

### Oven

- Hidden Bake Element: 3000W
- Bake: 175°F - 550°F
- Convection Bake: 175°F - 550°F
- Convection Roast: 175°F - 550°F
- Upper Oven: 3.4 cu. ft.
- Lower Oven: 2.7 cu. ft.
- Broil: (Low - High)
- Convection Element/Heater: 1250W
- Proofing
- Sabbath Mode

### Storage Drawer

- Capacity: 1.0 cu. ft.

### Warranty

One (1) Year Parts and Labour

### Product Dimensions & Weight (WxHxD)

Outside Dimensions:

29<sup>15</sup>/<sub>16</sub>" x 36"-36<sup>3</sup>/<sub>4</sub>" x 28<sup>11</sup>/<sub>16</sub>"

Weight: 202.6 lbs (91.9 Kg)

### Shipping Dimensions & Weight (WxHxD)

Dimensions: 33<sup>1</sup>/<sub>16</sub>" x 41<sup>3</sup>/<sub>4</sub>" x 30<sup>5</sup>/<sub>16</sub>"

Weight: 226.2 lbs (102.6 Kg)

### Colour

Black Stainless Steel

Stainless Steel

### Model #

NE63T8751SG

NE63T8751SS

### UPC Code

887276415000

887276415017