

# NE63T8711SG

SAMSUNG

## 6.3 cu. ft. Slide-In Electric Range



### Signature Features

#### Intelligent User Experience

- Simplified control panel remembers your cooking habits while offering intuitive messaging on an LCD with one knob and minimum buttons.

#### Air Fry

- The ideal way to cook healthier fried food as it eliminates excess fat, but everything is still crispy and brown outside and juicy inside.

#### True Convection

- A heated fan distributes heat all around the oven and keeps the temperature constant so dishes are cooked quickly and thoroughly.

#### Wi-Fi Connectivity

- Monitor and control the oven using the SmartThings App<sup>1</sup>. And control the oven with your voice using a voice assistant<sup>2</sup>, such as Samsung Bixby<sup>3</sup>, Amazon Alexa or Google Assistant.

#### Fingerprint Resistant Finish

- Prevents surfaces from being covered in unsightly fingerprints or marks and smudges.

### Available Colours



Fingerprint Resistant  
Black Stainless Steel (shown)



Fingerprint Resistant  
Stainless Steel



Air Fry



True Convection

### Features

- Intelligent User Experience
- Air Fry with included Air Fry Rack
- True Convection
- Bread Proof 95°F (35°C)
- Wi-Fi Connectivity
- Voice Control
- Fingerprint Resistant Finish
- Slide-In Design
- Flexible Cooktop – 5 Electric Elements
- Large Oven Capacity: 6.3 cu. ft.
- Storage Drawer
- Hidden Bake Element

### Convenience

- Self & Steam Clean
- Illuminated Knobs
- Auto Oven Light
- Proofing
- Kitchen Timer
- Delay Start
- Auto Shut-Off Option
- Child Safety Lock
- Easy Preset Cook Options
- Sabbath Mode
- Temperature Probe

<sup>1</sup>Available on Android and iOS devices. A Wi-Fi connection and a Samsung account are required.

<sup>2</sup>A Wi-Fi connection is required.

<sup>3</sup>Bixby is Samsung's brand of artificial intelligence (AI) / Internet of Things (IoT) voice assistant. A Samsung account is required.

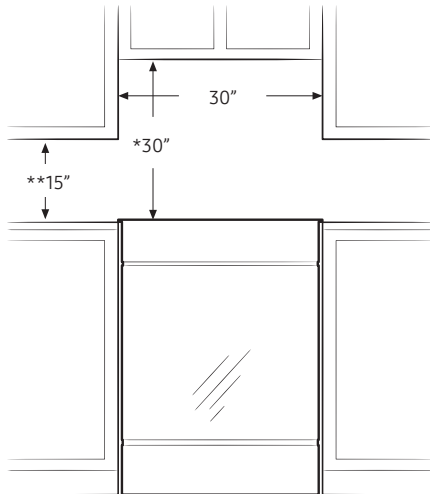
# NE63T8711SG

# SAMSUNG

## 6.3 cu. ft. Slide-In Electric Range

### Installation Specifications

**IMPORTANT:** To eliminate the risk of burns or fire caused by reaching over heated surface units, avoid having cabinet storage space located above the surface units. If you have cabinet storage space over the heating elements, you can reduce the risk by installing a range hood that projects horizontally a minimum of 5 inches beyond the bottom of the cabinets.



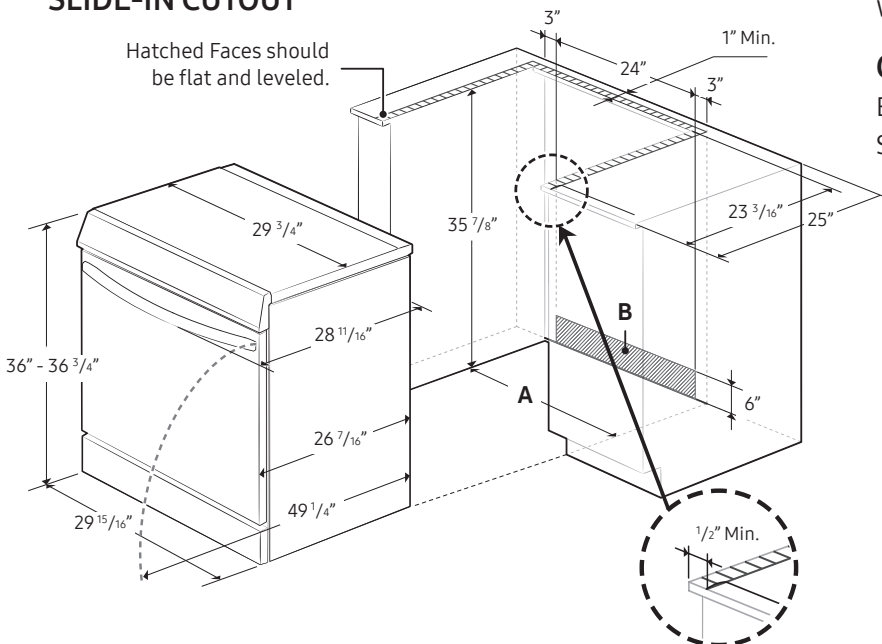
\* A minimum of 30" is required between the top of the cooking surface and the bottom of an unprotected wood or metal cabinet; a minimum of 24" is required if the bottom of the wood or metal cabinet is protected by not less than 1/4" of flame retardant millboard covered with not less than no.28 MSG of sheet steel, 0.015" of stainless steel, 0.024" of aluminum, or 0.020" of copper.

\*\* A minimum of 15" is required between the countertop and the adjacent cabinet bottom.

### Dimensions

**CAUTION:** This range has been designed to comply with the maximum allowable wood cabinet temperatures of 194 °F. Make sure the wall covering, countertops, and cabinets around the range can withstand the heat (up to 194 °F) generated by the range. If not, discolouration, delamination, or melting may occur.

### SLIDE-IN CUTOUT



### Power Source

240V/60Hz/40A

### Electric Ceramic Cooktop

- Right Front: 6"/9"/12", 3000W
- Left Front: 6"/9", 3600W
- Right Rear: 6", 1200W
- Left Rear: 6", 1200W
- Warm Center: 7", 100W

### Oven

- Hidden Bake Element: 3000W
- Bake: 175°F - 550°F
- Convection Bake: 175°F - 550°F
- Convection Roast: 175°F - 550°F
- Broil: (Low - High)
- Convection Element/Heater: 1250W
- Proofing
- Sabbath Mode

### Storage Drawer

- Capacity: 1.0 cu. ft.

### Warranty

One (1) Year Parts and Labour

### Product Dimensions & Weight (WxHxD)

Outside Dimensions:

29<sup>15</sup>/<sub>16</sub>" x 36"-36<sup>3</sup>/<sub>4</sub>" x 28<sup>11</sup>/<sub>16</sub>"

Weight: 174.8 lbs (79.3 Kg)

### Shipping Dimensions & Weight (WxHxD)

Dimensions: 33<sup>1</sup>/<sub>16</sub>" x 41<sup>3</sup>/<sub>4</sub>" x 30<sup>5</sup>/<sub>16</sub>"

Weight: 201.3 lbs (91.3 Kg)

### Colour

Black Stainless Steel

Stainless Steel

### Model #

NE63T8711SG

NE63T8711SS

### UPC Code

887276414980

887276414997