

NE63T8311SS

SAMSUNG

6.3 cu. ft. Slide-In Electric Range



Signature Features

Wi-Fi Connectivity

- Monitor and control the oven using the SmartThings App¹. And control the oven with your voice using a voice assistant², such as Samsung Bixby³, Amazon Alexa or Google Assistant.

6.3 cu. ft. Large Capacity

- Prepare multiple dishes at once or easily cook large items.

Fan Convection

- A powerful convection fan distributes heat all around the oven and keeps the temperature constant so dishes are cooked quickly and thoroughly.

Fingerprint Resistant Finish

- Prevents surfaces from being covered in unsightly fingerprints or marks and smudges.

Available Colours

Fingerprint Resistant
Stainless Steel



6.3 cu. ft. Capacity



Wi-Fi/Voice Control

Features

- Wi-Fi Connectivity
- Voice Control
- Fingerprint Resistant Finish
- Bread Proof 95°F (35°C)
- Large Oven Capacity – 6.3 cu. ft.
- Fan Convection
- Flexible Cooktop
- Drawer Rail
- Five Electric Elements
- Wide View Window
- Hidden Bake Element
- Storage Drawer
- Sabbath Mode
- 7 Rack Positions

Convenience

- Self & Steam Clean
- Delay Bake
- Hot Surface Indicator Light
- Auto Oven Light
- Kitchen Timer
- Child Safety Lock

¹Available on Android and iOS devices. A Wi-Fi connection and a Samsung account are required.

²A Wi-Fi connection is required.

³Bixby is Samsung's brand of artificial intelligence (AI) / Internet of Things (IoT) voice assistant. A Samsung account is required.

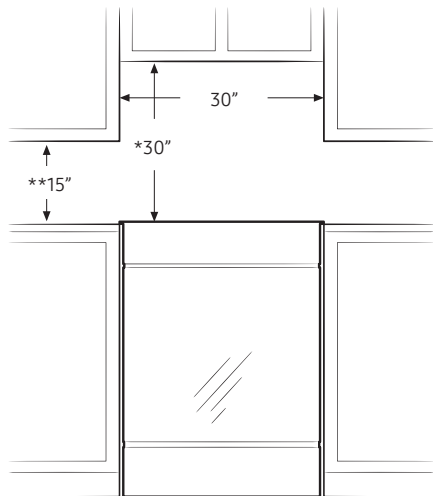
NE63T8311SS

SAMSUNG

6.3 cu. ft. Slide-In Electric Range

Installation Specifications

IMPORTANT: To eliminate the risk of burns or fire caused by reaching over heated surface units, avoid having cabinet storage space located above the surface units. If you have cabinet storage space over the heating elements, you can reduce the risk by installing a range hood that projects horizontally a minimum of 5 inches beyond the bottom of the cabinets.



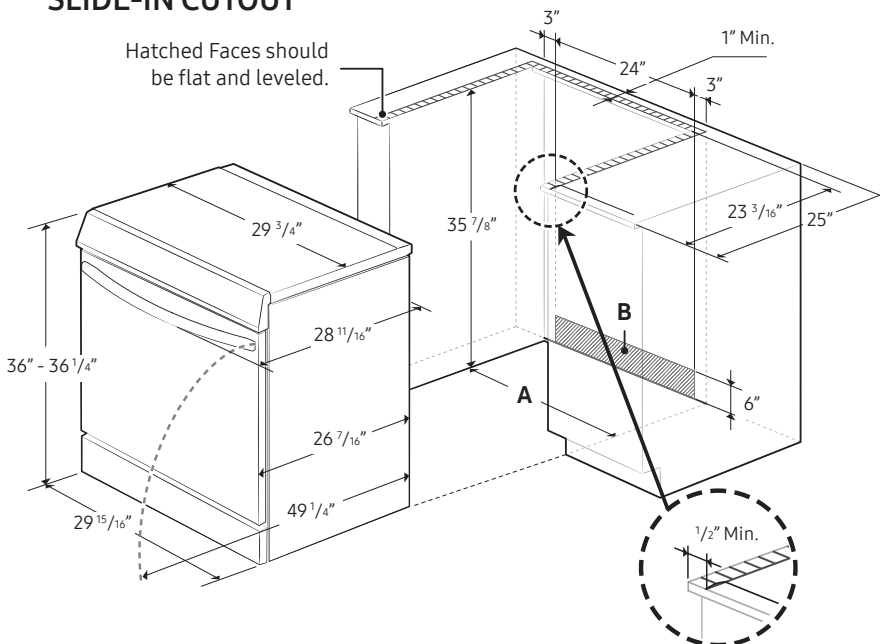
* A minimum of 30" is required between the top of the cooking surface and the bottom of an unprotected wood or metal cabinet; a minimum of 24" is required if the bottom of the wood or metal cabinet is protected by not less than 1/4" of flame retardant millboard covered with not less than no.28 MSG of sheet steel, 0.015" of stainless steel, 0.024" of aluminum, or 0.020" of copper.

** A minimum of 15" is required between the countertop and the adjacent cabinet bottom.

Dimensions

CAUTION: This range has been designed to comply with the maximum allowable wood cabinet temperatures of 194 °F. Make sure the wall covering, countertops, and cabinets around the range can withstand the heat (up to 194 °F) generated by the range. If not, discolouration, delamination, or melting may occur.

SLIDE-IN CUTOUT



Radiant Ceramic Cooktop

- Right Front: 9"/12" Dual Element, 3000W
- Left Front: 6"/9" Dual Element, 3000W
- Right Rear: Radiant 6" Element, 1200W
- Left Rear: 6" Element, 1200W
- Center Rear: 7" Warming Center

Oven

- Capacity: 6.3 cu. ft.
- Hidden Bake Element: 3000W
- Bake: 175°F–550°F
- Broil: Low/High, 3400W
- Sabbath Mode

Storage Drawer

- Capacity: 1 cu. ft.

Warranty

One (1) Year Parts and Labour

Product Dimensions & Weight (WxHxD)

Outside Net Dimensions: 29^{15/16}" x 36"-36^{1/4}" x 28^{11/16}"
Weight: 169.8 lbs (77 Kg)

Shipping Dimensions & Weight (WxHxD)

Dimensions: 33^{1/16}" x 41^{3/4}" x 30^{5/16}"
Weight: 192.7 lbs (87.4 Kg)

Colour

Stainless Steel

Model

NE63T8311SS

UPC Code

887276414973