



Color Variants
VG232220CA
Black control panel
Width 28 cm

VG232220CA
Vario gas cooktop 200 series
Black control panel
Width 28 cm
Natural gas 15 mbar

Can be combined with the cooktops of the Vario 200 series to a harmonic unity Control panel for comfortable and secure operation
Mechanical power level regulation for 9 power levels, with exact setting and reproduction of flame size
Solid smooth-surface cast pan supports for easy and safe positioning of cookware

Cooking zones

1 high output burner (560 W - 3000 W), suitable for pots up to max. \varnothing 22 cm.
1 standard burner (380 W - 1900 W), suitable for pots up to max. \varnothing 20 cm.

Handling

Control knobs with illuminated ring.
Integrated control panel.
One-handed operation.
Electric ignition.

Features

Cast pan support with continuous pot surface.
Enamelled burner cover.

Safety

Thermoelectric safety pilot.
Residual heat indication.
Operation indicator.

Planning notes

Special nozzles can be ordered as spare parts.
Appliance can be snapped into the worktop from above.
A minimum lateral clearance of at least 11 13/16" from adjacent heat-sensitive furniture or contact surfaces must be observed or thermal insulation fitted.
With a total connected load of more than 11 kW local regulations concerning room ventilation, room size and combination of extraction or recirculation hoods must be observed.
Minimum clearance between gas cooktop(s) with more than 11 kW and ventilation hood 70 cm.
Appliance weight: approx. 8.

Connection

Total connected load gas 4.9 KW.
Total connected load electric 10.0 W.
Connecting cable 1.5 m with plug.

Product Features

Product name / series name
Vario/Domino gas hob w control

Construction type
Built-in

Energy source
Gas

Total number of cooktop burners
2

Required cutout size (HxWxD) (mm)
106 x 268 x 492

Width of the product (mm)
288

Overall appliance dimensions (HxWxD) (mm)
106 x 288 x 512

Product packaging dimensions (HxWxD) (mm)
260 x 400 x 600

Net weight (kg)
8.329

Gross weight (kg)
9.5

Residual heat indicator

Location of control panel

Basic surface material
brushed stainless steel

Color of surface
Stainless steel

Color of frame
Stainless steel

Approval certificates
CSA, CSA, CSA

Power cord length (cm)
150

Consumption and connection features

Watts (W)
10

Gas connection rating (W)
4900

Current (A)
10

Volts (V)
110-120

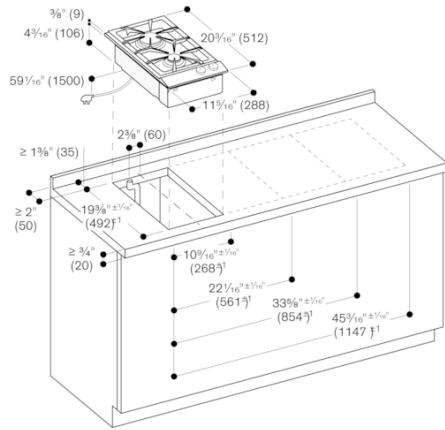
Frequency (Hz)
60

2020-09-03

Page 1

VG232220CA
 Vario gas cooktop 200 series
 Black control panel
 Width 28 cm
 Natural gas 15 mbar

2020-09-03
 Page 2



Minimum distance from the appliance cut-out to the side wall 11¹/₈" (300 mm).
 measurements in inches (mm)

Gas connection

