

Gaggenau

Use and care manual 2

Notice d'utilisation 17

Manual de instrucciones 32

VR 230 620

Electric grill

Gril électrique

Grill eléctrico

Table of Contents

▲ Safety Definitions	2
IMPORTANT SAFETY INSTRUCTIONS	3
Fire Safety	3
Cooking Safety	4
Burn Prevention	5
Child Safety	5
Cleaning Safety	6
Proper Installation and Maintenance	6
Proposition 65 Warning	7
Causes of damage	8
Environmental protection	8
Energy saving tips	8
Getting to know your appliance	9
Electric grill	9
Display on the illuminated ring	9
Accessories	9
Special accessories	9
Before using the appliance for the first time	10
Cleaning the appliance	10
Preparing the grill	10
Heating the grill	10
Operating the appliance	11
Turning on	11
Turning off	11
Residual heat display	11
Overheating protection	11
Safety shut-off	11
Table of settings and tips	12
Tips for cooking and roasting	12
Cleaning and maintenance	13
Cleaning the appliance	13
Faults – What to Do?	15
Customer Service	16

▲ Safety Definitions

▲ WARNING

This indicates that death or serious injuries may occur as a result of non-observance of this warning.

▲ CAUTION

This indicates that minor or moderate injuries may occur as a result of non-observance of this warning.

NOTICE

This indicates that damage to the appliance or property may occur as a result of non-compliance with this advisory.

Note: This alerts you to important information and/or tips.

Additional information on products, accessories, replacement parts and services can be found at www.gaggenau.com and in the online shop www.gaggenau.com/zz/store

IMPORTANT SAFETY INSTRUCTIONS

READ AND SAVE THESE INSTRUCTIONS

WARNING

When properly cared for, your new appliance has been designed to be safe and reliable. Read all instructions carefully before use. These precautions will reduce the risk of burns, electric shock, fire, and injury to persons. When using kitchen appliances, basic safety precautions must be followed, including those in the following pages.

Fire Safety

Do not allow aluminum foil, plastic, paper or cloth to come in contact with a hot surface element, burner or grate. Do not allow pans to boil dry.

If the cooktop is near a window, forced air vent or fan, be certain that flammable materials such as window coverings do not blow over or near the burners or elements. They could catch on fire.

Always have a working smoke detector near the kitchen.

Never leave the cooktop unattended when in use. Boilovers cause smoking and greasy spillovers may ignite.

WARNING

TO REDUCE THE RISK OF A GREASE FIRE:

1. Never leave surface units unattended at high settings. Boilovers cause smoking and greasy spillovers that may ignite. Heat oils slowly on low or medium settings.
 2. Always turn hood ON when cooking at high heat or when flambéing food (i.e. Crepes Suzette, Cherries Jubilee, Peppercorn Beef Flambé).
 3. Clean ventilating fans frequently. Grease should not be allowed to accumulate on fan or filter.
 4. Use proper pan size. Always use cookware appropriate for the size of the surface element.
-

In the event that personal clothing or hair catches fire, drop and roll immediately to extinguish flames.

Have an appropriate fire extinguisher available, nearby, highly visible and easily accessible near the appliance.

Smother flames from food fires other than grease fires with baking soda. Never use water on cooking fires.

IMPORTANT SAFETY INSTRUCTIONS

READ AND SAVE THESE INSTRUCTIONS

WARNING

TO REDUCE THE RISK OF INJURY TO PERSONS IN THE EVENT OF A GREASE FIRE, OBSERVE THE FOLLOWING:

1. **SMOTHER FLAMES** with a close-fitting lid, cookie sheet, or metal tray, then turn off the burner. **BE CAREFUL TO PREVENT BURNS.** If the flames do not go out immediately, **EVACUATE AND CALL THE FIRE DEPARTMENT.**
2. **NEVER PICK UP A FLAMING PAN** – You may be burned.
3. **DO NOT USE WATER**, including wet dishcloths or towels – a violent steam explosion will result.
4. Use an extinguisher **ONLY** if:
 - You know you have a Class ABC extinguisher, and you already know how to operate it.
 - The fire is small and contained in the area where it started.
 - The fire department is being called.
 - You can fight the fire with your back to an exit.

Whenever possible, do not operate the ventilation system during a cooktop fire. However, do not reach through fire to turn it off.

Cooking Safety

WARNING

Use this appliance only for its intended use as described in this manual. **NEVER** use this appliance as a space heater to heat or warm the room. Doing so may result in carbon monoxide poisoning and overheating the appliance. Never use the appliance for storage.

WARNING

NEVER cover any slots, holes or passages in the oven bottom or cover an entire rack with materials such as aluminum foil. Doing so blocks air flow through the oven and may cause carbon monoxide poisoning. Aluminum foil linings may also trap heat, causing a fire hazard.

WARNING

Risk of burns!

Only close the appliance cover once the appliance has cooled down. Never turn on the appliance with the appliance cover closed. Don't set down food on appliance cover or use it for keeping food warm.

IMPORTANT SAFETY INSTRUCTIONS

READ AND SAVE THESE INSTRUCTIONS

Burn Prevention

DO NOT TOUCH SURFACE UNITS OR AREAS NEAR UNITS - Surface units may be hot even though they are dark in color. Areas near surface units may become hot enough to cause burns. During and after use, do not touch, or let clothing, potholders, or other flammable materials contact surface units or areas near units until they have had sufficient time to cool. Among these areas are the cooktop and areas facing the cooktop.

Do not heat or warm unopened food containers. Build-up of pressure may cause the container to burst and cause injury.

Always use dry potholders. Moist or damp potholders on hot surfaces may result in burns from steam. Do not let potholder touch hot heating elements. Do not use a towel or other bulky cloth.

Always turn hood ON when cooking at high heat or when flambéing food (i.e. Crêpes Suzette, Cherries Jubilee, Peppercorn Beef Flambé).

Use high heat settings on the cooktop only when necessary. To avoid bubbling and splattering, heat oil slowly, on no more than a low-medium setting. Hot oil is capable of causing extreme burns and injury.

Never move a pan of hot oil, especially a deep fat fryer. Wait until it is cool.

Secure all loose garments, etc., before beginning. Tie long hair so that it does not hang loose, and do not wear loose-fitting clothing or hanging garments, such as ties, scarves, jewelry, or dangling sleeves.

WARNING

Risk of burns!

If the appliance cover (VD) is fitted: do not close the appliance cover until the appliance has cooled down completely. Do not operate the appliance with the cover closed. Do not use the appliance cover for placing objects or for keeping things warm.

Child Safety

When children become old enough to use the appliance, it is the responsibility of the parents or legal guardians to ensure that they are instructed in safe practices by qualified persons.

Do not allow anyone to climb, stand, lean, sit, or hang on any part of an appliance, especially a door, warming drawer, or storage drawer. This can damage the appliance, and the unit may tip over, potentially causing severe injury.

Do not allow children to use this appliance unless closely supervised by an adult. Children and pets should not be left alone or unattended in the area where the appliance is in use. They should never be allowed to play in its vicinity, whether or not the appliance is in use.

IMPORTANT SAFETY INSTRUCTIONS

READ AND SAVE THESE INSTRUCTIONS

CAUTION

Items of interest to children should not be stored in an appliance, in cabinets above an appliance or on the backsplash. Children climbing on an appliance to reach items could be seriously injured.

Cleaning Safety

Do not clean the appliance while it is still hot. Some cleaners produce noxious fumes when applied to a hot surface. Wet clothes and sponges can cause burns from steam.

Do not use steam cleaners to clean the appliance.

Do not soak removable heating elements - Heating elements should never be immersed in water.

Proper Installation and Maintenance

Have the installer show you the location of the circuit breaker or fuse. Mark it for easy reference.

This appliance must be properly installed and grounded by a qualified technician. Connect only to properly grounded outlet. Refer to Installation Instructions for details.

This appliance is intended for normal family household use only. It is not approved for outdoor use. See the Statement of Limited Product Warranty. If you have any questions, contact the manufacturer.

Do not store or use corrosive chemicals, vapors, flammables or nonfood products in or near this appliance. It is specifically designed for use when heating or cooking food. The use of corrosive chemicals in heating or cleaning will damage the appliance and could result in injury.

Make sure reflector pans or drip bowls are in place - Absence of these bowls or pans during cooking may subject wiring or components underneath to damage.

WARNING

Failure to operate knobs properly may result in personal injury and damage to the appliance.

Do not operate this appliance if it is not working properly, or if it has been damaged. Contact an authorized servicer.

Do not cook on a broken cooktop. Cleaning solutions and spillovers may create a risk of electric shock.

Do not repair or replace any part of the appliance unless specifically recommended in this manual. Refer all servicing to a factory authorized service center.

To avoid electrical shock hazard, before servicing the appliance, switch power off at the service panel and lock the panel to prevent the power from being switched on accidentally.

IMPORTANT SAFETY INSTRUCTIONS

READ AND SAVE THESE INSTRUCTIONS

CAUTION

Malfunction

Always set control knobs to the zero position when the appliance is not in operation.

Proposition 65 Warning:

This product may contain a chemical known to the State of California, which can cause cancer or reproductive harm. Therefore, the packaging of your product may bear the following label as required by California:

STATE OF CALIFORNIA PROPOSITION 65 WARNING:

 **WARNING**

Cancer and Reproductive Harm - www.P65Warnings.ca.gov

Causes of damage

NOTICE

Damage to device through inappropriate accessories

Only use the designated original accessories. Don't use grill trays or aluminum foil. This damages the grill shelf.

Environmental protection

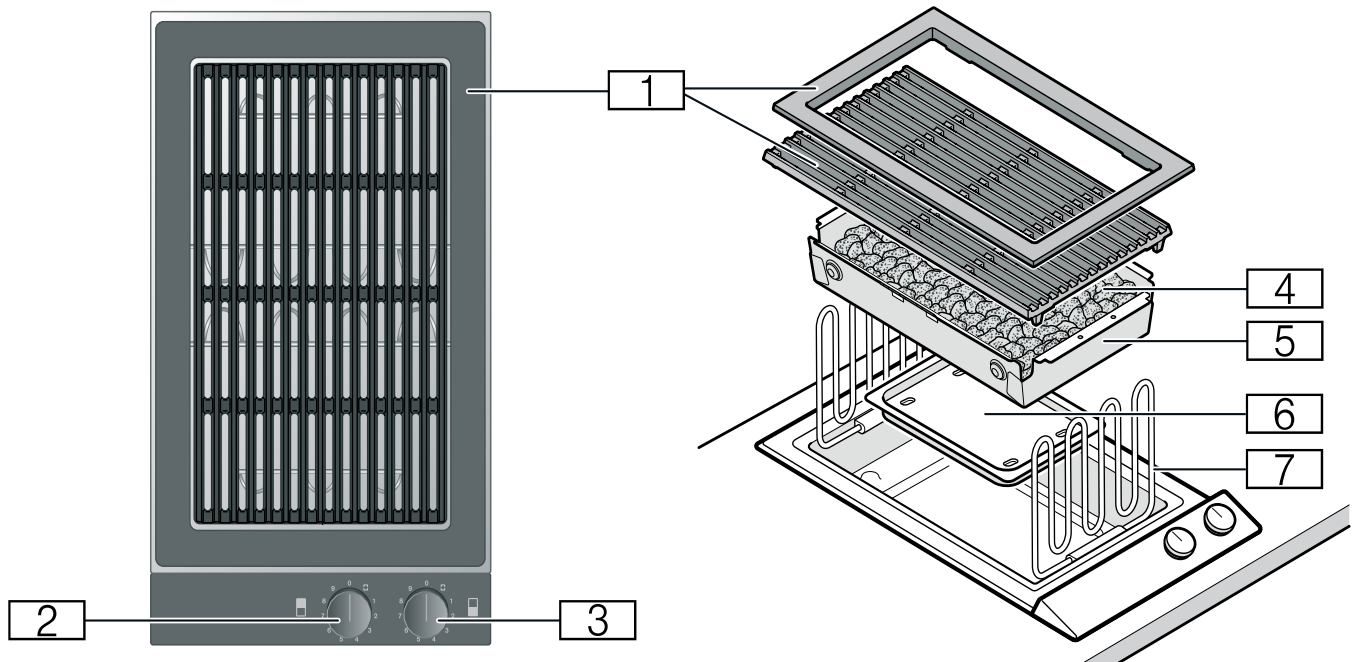
In this section, you can find information about saving energy and disposing of the appliance.

Energy saving tips

- Stop the heating appliance when it reaches the required temperature.
- If you are preparing small amounts of food, use the option to switch on the front or the rear grill element only.
- Switch to a lower grill setting in good time.
- Select the appropriate ongoing grill setting. You will waste energy if you select an ongoing grill setting that is too high.
- Use the residual heat of the grill. For longer cooking times, switch the appliance off 5–10 minutes before the end of the cooking time.

Getting to know your appliance

Electric grill



- 1 Wire rack and frame
- 2 Control knob for the rear grill element:
Grill settings 1-9
 Connecting the grill elements
- 3 Control knob for the front grill element
Grill settings 1-9
 Connecting the grill elements
- 4 Lava stones
- 5 Lava stone container
- 6 Grease drip tray
- 7 Grill element

Display on the illuminated ring

The control knob is encircled by an illuminated ring that indicates a number of statuses and functions.

Display	Meaning
○ Off	Appliance OFF
● Lit orange	Appliance ON
● Lit white but gradually changing to orange	Appliance ON heat-up indicator
● Slowly flashing orange	Appliance OFF residual heat indicator
☀ Flashing orange and white alternately	Safety shut-off, power failure

Accessories

As standard, your device comes with the following accessories:

- Lava stones
- Cleaning brush

Special accessories

You can order the following accessories from your specialist dealer:

LV 030 000 Lava stones (replacement)

Use the accessories only as indicated. The manufacturer assumes no liability for incorrect usage of the accessories.

Before using the appliance for the first time

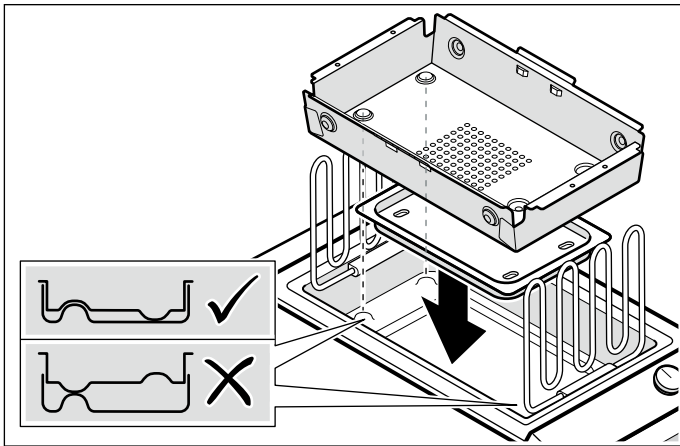
In this section, you can find out what you must do before using your appliance to prepare food for the first time. Read the safety information before you start.

Cleaning the appliance

Before using the appliance and accessory parts for the first time, clean them thoroughly with lukewarm soapy water.

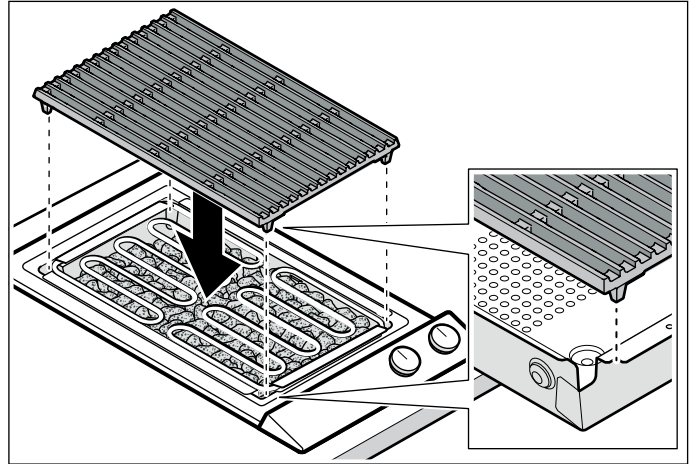
Preparing the grill

1. Insert the grease drip tray.
2. Correctly insert the lava stone tray. The recesses in the lava stone tray correspond to the recesses in the base of the appliance.

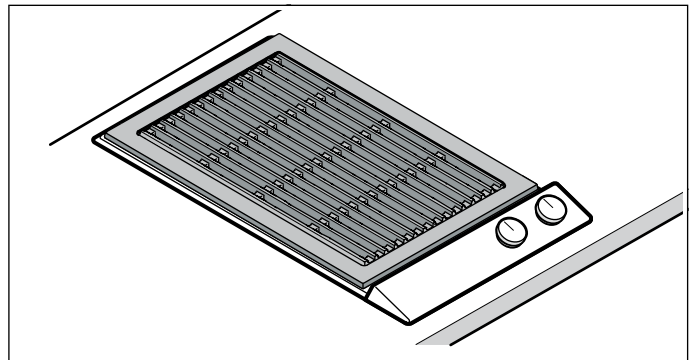


3. Remove the lava stones from the film and place them in the lava stone tray.
4. Fold both grill elements downwards. The grill elements must lie flat.

5. Put the wire rack in place. Position the wire rack so that the feet of the wire rack fit into the recesses in the lava stone tray. Ensure that the wire rack is lying flat.



6. Put the frame in place. Ensure that the frame is lying flat and that the distance between the frame and the wire rack is the same all round.



⚠ WARNING

Risk of burns!

The appliance parts become hot during operation. Only operate the grill when the frame and wire rack inserted correctly.

Heating the grill

Heat the grill for a few minutes at grill setting 9. This will get rid of the new-appliance smell and any contamination.

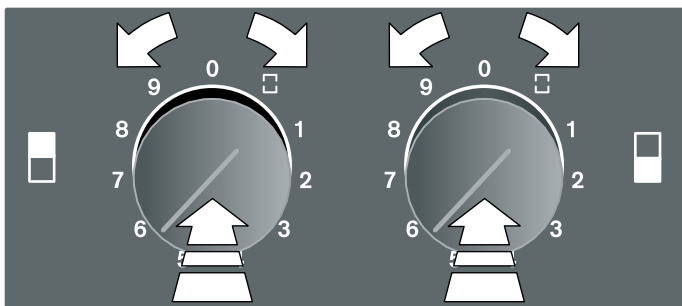
Operating the appliance

Turning on

The frame is cooler than the wire rack during operation. Only use the surface of the wire rack for grilling.

The two grill elements can be controlled separately. This means that you can grill foods that require different temperatures at the same time. If required, you can connect the two grill elements together and set the same grill setting at the same time for both of them.

Push in the other control knob and turn it to the required grill setting. The illuminated ring lights up white. If you do not want to cook over the entire grill zone, switch on the front or rear grill element only.



The illuminated ring dims from white to orange while the appliance is heating up. An audible signal sounds when the set temperature has been reached. The preheating phase at grill setting 9 takes approximately 10 minutes.

Connecting the grill elements

Push in any control knob and turn it to the □ symbol. Push in the other control knob and turn it to the required grill setting. Both grill elements are now at this grill setting.

Turning off

Turn the control knobs to position 0. The indicator light goes out.

⚠ WARNING

Risk of burns!

The appliance will remain hot for a long time even after you switch it off. Do not touch the appliance while the residual heat indicator is flashing.

⚠ WARNING

Risk of burns!

Only close the appliance cover once the appliance has cooled down. Never turn on the appliance with the appliance cover closed. Don't set down food on appliance cover or use it for keeping food warm.

Residual heat display

After switching off the appliance, the illuminated ring on the control knob slowly flashes orange until the appliance has cooled enough for it to be safe to touch. Do not touch the appliance while the residual heat indicator is flashing.

Overheating protection

In the event of overheating, the appliance automatically turns off the grill heating elements in order to protect the countertop and cabinets. After the appliance has sufficiently cooled down, turn it back on.

Safety shut-off

For your protection, the appliance is equipped with a safety shut-off. Any kind of heating will be switched off after 4 hours if the appliance controls are not used during this time. The heating element will also remain off after a power failure. The illuminated ring on the control knob flashes orange and white alternately.

Turn the control knob to 0. You will now be able to start the appliance again as usual.

Table of settings and tips

Food	Grill setting	Grilling time	Comments
Meat and poultry			
Beef steak, medium, ¾"–1¼" (2–3 cm)	8	3–4 mins each side	The steak is medium when meat juice can be seen on the surface.
Veal cutlet, ¾" (2 cm)	7	6 mins each side	
Kebab skewers, 3½ oz (100 g) each	6– 7	15–20 mins	Turn several times.
Lamb cutlet, rare, ¾" (2 cm)	7	6 mins each side	
Pork neck steak, ¾" (2 cm)	7	6–8 mins each side	
Grilled sausage, 1½–3½ oz (50–100 g)	6– 7	10–20 mins	Turn several times.
Hamburger, ½" (1 cm)	6– 7	12–15 mins	
Turkey steaks, ¾" (2 cm)	6– 7	12–15 mins	
Chicken wings, 3½ oz (100 g) each	6– 7	15–20 mins	Turn several times.
Fish and seafood			
King prawns	7	5–12 mins	Use shell-on prawns, raw or cooked.
Lobster, precooked	8	7–15 mins	
Salmon steak, 1¼" (3 cm)	6	10–15 mins	
Tuna steak, 1¼" (3 cm)	6– 7	7–10 mins	
Fish fillet, ¾" (2 cm)	6	6–8 mins	e.g. herring or halibut
Trout, whole, 7 oz (200 g)	7	12–15 mins	Coat the trout with oil to prevent the skin sticking to the wire rack.
Side dishes			
Vegetables	5	10–15 mins	e.g. sliced zucchini and aubergine, quartered peppers
Mushroom caps	6	4–6 mins	
Fruit (e.g. peach or pear halves)	5	5–10 mins each side	
Keeping warm	1 –2		Ensure that the wire rack is not too hot to keep food warm.

Tips for cooking and roasting

- The values given in the table of settings are only a guide; you may need more or less heat depending on the type and state of the food.
- Heat the appliance to the required temperature. The illuminated ring lights up white. The illuminated ring dims from white to orange while the appliance is heating up. An audible signal sounds when the set temperature has been reached.
- Always preheat the grill. The intense heat radiation enables a crust to form quickly and prevents meat juice from escaping.
- Before grilling, you can coat or marinate the food in heat-resistant oil (e.g. peanut oil). This improves the flavor. Take care not to use too much oil/marinade, otherwise this could cause flames to form or generate lots of smoke.
- Do not salt the meat before grilling. Otherwise soluble nutrients and meat juice may escape.
- Place the food to be grilled directly on the wire rack. Do not use aluminum foil or grill trays.
- Only turn the items on the grill over when they lift off the wire rack easily. If meat sticks to the grill, the fibres are destroyed and meat juice escapes.

- Do not pierce the meat while grilling it, otherwise meat juice may escape.
- Cured meat such as ham and smoked pork chops are not suitable for grilling. This can produce a compound that is harmful to health.
- Score chops on the bones and in fatty layers several times so that they do not curl up.
- Remove fatty layers after grilling rather than before, otherwise the meat loses juice and flavor.
- Poultry will turn out particularly crispy and brown if you baste it towards the end of the grilling time with butter, salted water or orange juice.
- Fruit can be seasoned to taste after grilling with honey, maple syrup or lemon juice.
- You can parboil vegetables that take a long time to cook (e.g. corn on the cob) before placing them on the grill.
- Grill fillets of fish on the skin side first. Coat the skin with oil to prevent it sticking to the wire rack.
- Serve grilled food hot. If you keep it warm it will go tough.

Cleaning and maintenance

WARNING

Risk of burns!

The appliance grows hot during operation. Let appliance cool down prior to cleaning.

WARNING

Risk of electrical shock!

Moisture entering the appliance can cause an electrical shock. Don't use a high-pressure cleaner or steam cleaner.

NOTICE

Surface damage

Do not use these cleaning agents

- Caustic or corrosive cleaners
- Oven cleaners
- Cleaners that are caustic, contain chlorine or are aggressive
- Cleaners containing large proportions of alcohol
- Hard, scratchy dish-washing sponges, brushes or scourers

If such an agent comes into contact with the appliance, wipe it off immediately with water.

Thoroughly wash out new sponge cloths before using them.

Cleaning the appliance

Clean the appliance after each use once it has cooled down. This will prevent residues from being burnt on. Residues that have been burnt-on several times can be difficult to remove.

Do not scrape burnt-on residues. Instead, leave them to soak in water and washing-up liquid.

Remove the wire rack and fold the heating elements upwards. Remove the lava stone tray and the lava stones.

Appliance part/surface	Recommended cleaning
Wire rack and frame	<p>Remove heavy soiling with the cleaning brush. Soak the wire rack in the sink. Clean using the cleaning brush and washing-up liquid and dry thoroughly.</p> <p>For heavy soiling, use our grill cleaning gel (article number 00311761).</p> <p>You can also clean the wire rack and the frame in the dishwasher. This may cause the wire rack and the frame to become lighter in colour. This does not affect its usability.</p>
Stainless steel tray	<p>Apply washing-up liquid with a soft, damp cloth; dry with a soft cloth. Leave stubborn dirt to soak.</p> <p>For heavy soiling, use our stainless steel cleaner (article no. 00311499) or grill cleaning gel (article no. 00311761).</p>
Lava stone tray	<p>Remove the lava stones. Clean the lava stone tray in a sink of water and washing-up liquid using a scrubbing brush; dry with a soft cloth. Leave stubborn dirt to soak or remove it using our grill cleaning gel (article no. 00311761).</p>
Lava stones	<p>Replace the lava stones when they have turned black. This means that the lava stones are saturated with fat, which may generate a lot of smoke or ignite during operation.</p> <p>You can obtain compatible lava stones from your specialist dealer (article no. LV 030 000).</p>
Grease drip tray	<p>Clean in the dishwasher.</p>
Control panel	<p>Soapy water – the cloth must not be too wet. Dry with a soft cloth.</p> <p>If acidic substances (e.g. vinegar, ketchup, mustard, marinades) are spilled on the control panel, remove them immediately.</p>
Control knobs	<p>The soapy cloth must not be too wet. Dry with a soft cloth.</p>



CAUTION

Damage to the appliance

Do not detach the control knobs to clean them.

Faults – What to Do?

WARNING

Risk of electric shock!

Incorrect repairs are dangerous. Repairs may only be carried out by an authorized servicer. If the appliance is not functioning properly, unplug the power cord or switch off the fuse in the fuse box. Contact Customer Support.

Faults often have simple explanations. Please read the notes in the table before calling customer service.


Disruption	Possible cause	Solution
The appliance does not work	The plug is not plugged in	Connect the appliance to the mains
	Faulty fuse	Check in the fuse box to make sure that the fuse for the appliance is in working order
	Power failure	Check whether other kitchen appliances are working
The appliance does not heat up and the illuminated ring is lit white	Demo mode is activated	Deactivate demo mode: <ol style="list-style-type: none"> 1. Turn all the control knobs to 0. Unplug the appliance from the mains for 30 seconds (switch off the household fuse or the circuit breaker in the fuse box). 2. Reconnect the appliance. Turn any of the control knobs one position anti-clockwise within 3 minutes. All the illuminated rings light up white. 3. Turn the control knob three positions clockwise. 4. Turn the control knob back to 0. Two audible signals confirm that demo mode has been deactivated.
The appliance does not heat up and the illuminated ring is lit white	Overheating protection	The appliance itself switches off the grill heating element in order to protect the appliance and the fitted unit. Once the appliance is cool enough, it will switch the grill heating element on again. It can take up to 45 minutes to cool down.
The appliance switches itself off while in use; the illuminated ring flashes orange and white alternately	Safety switch off: The controls on the appliance have not been used for a long time	Turn the control knob to 0, then switch it back on (if you wish to continue using the appliance)
	The appliance remains off after a power failure	Turn the control knob to 0, then switch it back on (if you wish to continue using the appliance)

Customer Service

If your appliance needs repairs, our Customer Service is there for you. We work hard to help solve problems quickly and without unnecessary service calls, getting your appliance back up and running correctly in the least amount of time possible.

When you call, please indicate the product number (E-Nr.) and serial number (FD-Nr.) so that we can support you in a qualified manner. You will find the data plate with these numbers on the bottom of the appliance. To avoid having to search when you need it, you can enter your appliance data and the Customer Service telephone number here.

E-Nr.	FD-Nr.
--------------	---------------

Customer Service 

Please read the use and care instructions provided with your appliance. Failure to do so may result in an error in using the appliance resulting in unnecessary service calls, which may not be covered by the warranty.

WARNING

Risk of electric shock!

Incorrect repairs are dangerous. Repairs may only be carried out by an authorized servicer. If the appliance is not functioning properly, unplug the power cord or switch off the fuse in the fuse box. Contact Customer Support.

Please find the contact data of all countries in the enclosed customer service list.

To book a service visit and product advice

USA	877 442 4436 toll-free
CANADA	877 442 4436 toll-free

Table des Matières

▲ Définitions de sécurité	17
CONSIGNES DE SÉCURITÉ IMPORTANTES	18
Sécurité-incendie	18
Sécurité de cuisson	19
Prévention des brûlures	20
Sécurité des enfants	21
Consignes en matière de nettoyage	21
Installation et entretien corrects	21
Avertissement issu de la proposition 65	22
Sources des dommages	23
Protection de l'environnement	23
Conseils pour économiser l'énergie	23
Présentation de l'appareil	24
Gril électrique	24
Anneau lumineux	24
Accessoires	24
Accessoires spéciaux	24
Avant la première utilisation	25
Nettoyage de l'appareil	25
Préparer le grill	25
Chauffer le grill	25
Utiliser l'appareil	26
Mise en marche	26
Arrêt	26
Indicateur de chaleur résiduelle	26
Protection contre la surchauffe	26
Coupure de sécurité	26
Tableau de réglage et conseils	27
Conseils pour la cuisson	27
Nettoyage et entretien	28
Nettoyage de l'appareil	28
Dérangements, Que faire si...	30
Service après-vente	31

Vous trouverez des informations supplémentaires concernant les produits, accessoires, pièces de rechange et services sur Internet sous : www.gaggenau.com et la boutique en ligne : www.gaggenau.com/zz/store

▲ Définitions de sécurité

▲ AVERTISSEMENT

Ceci indique que le non-respect de cet avertissement peut entraîner des blessures graves, voire la mort.

▲ ATTENTION

Ceci indique que le non-respect de cet avertissement peut entraîner des blessures légères ou de gravité moyenne.

AVIS

Ceci indique que la non-conformité à cet avis de sécurité peut entraîner des dégâts matériels ou endommager l'appareil.

Remarque : Ceci vous signale des informations et/ou indications importantes.

CONSIGNES DE SÉCURITÉ IMPORTANTES

LIRE ET CONSERVER CES INSTRUCTIONS

AVERTISSEMENT

Votre nouvel appareil a été conçu pour un fonctionnement sûr et fiable si vous en prenez bien soin. Lire attentivement toutes les consignes avant l'emploi. Ces précautions réduiront les risques de brûlures, de choc électrique, d'incendie et de lésions corporelles. Lors de l'utilisation d'un appareil électroménager, quelques précautions de sécurité élémentaires doivent être observées, y compris celles qui figurent aux pages suivantes.

Sécurité-incendie

Ne laissez pas le papier d'aluminium, le plastique, le papier ou les tissus entrer en contact avec un élément de surface, une grille ou un brûleur chaud. Ne laissez pas les casseroles chauffer à sec.

Si la table de cuisson est près d'une fenêtre, d'un évent à air forcé ou d'un ventilateur, s'assurer que les matériaux inflammables tels les tentures/rideaux ne flottent pas au-dessus ou près des brûleurs ou éléments. Ils risqueraient de s'enflammer.

Toujours avoir un détecteur de fumée en état de marche près de la cuisine.

Ne laissez jamais la table de cuisson sans surveillance lorsqu'elle est en utilisation. Des débordements causant de la fumée et des déversements graisseux peuvent prendre feu.

AVERTISSEMENT

POUR RÉDUIRE LES RISQUES DE FEUX DE GRAISSE :

1. Ne jamais faire fonctionner les unités de surface à des températures élevées sans surveillance. Des débordements causant de la fumée et des déversements graisseux peuvent prendre feu. Chauffer l'huile lentement à réglage faible ou moyen.
 2. Toujours mettre la hotte EN MARCHÉ pendant la cuisson à température élevée et au moment de flamber des aliments (p.ex., crêpes Suzette, cerises jubiléées, steak au poivre flambé).
 3. Souvent nettoyer les ventilateurs d'aération. Il ne faut pas que la graisse s'accumule sur le ventilateur ou sur le filtre.
 4. Utiliser des casseroles de taille adéquate. Utiliser toujours des casseroles dont les dimensions conviennent à la taille de l'élément.
-

Si des vêtements s'enflamment, jeter et rouler par terre immédiatement pour éteindre les flammes.

Veillez à avoir à portée de main un extincteur d'incendie en bon état de marche, placé visiblement près de l'appareil et facile d'accès.

Étouffez les flammes d'un feu d'aliments autre qu'un feu de graisse à l'aide de

CONSIGNES DE SÉCURITÉ IMPORTANTES

LIRE ET CONSERVER CES INSTRUCTIONS

bicarbonate de soude. Ne jamais utiliser d'eau sur les feux de cuisson.

AVERTISSEMENT

POUR RÉDUIRE LE RISQUE DE LÉSIONS CORPORELLES DANS L'ÉVENTUALITÉ D'UN FEU DE GRAISSE, OBSERVER LES CONSIGNES SUIVANTES :

1. **ÉTOUFFER LES FLAMMES** à l'aide d'un couvercle bien hermétique, d'une tôle à biscuits ou d'un plateau en métal, puis éteindre l'appareil. **FAIRE ATTENTION À NE PAS SE BRÛLER.** Si les flammes ne s'éteignent pas immédiatement, **ÉVACUER LES LIEUX ET FAIRE APPEL AU SERVICE D'INCENDIE.**
2. **NE JAMAIS SAISIR UN RÉCIPIENT QUI BRÛLE.** Vous pourriez vous brûler.
3. **NE PAS UTILISER D'EAU,** y compris les chiffons ou serviettes mouillées. Une violente explosion de vapeur risque de se produire.
4. Utiliser un extincteur uniquement si :
 - Vous savez que vous possédez un extincteur de **CLASSE ABC**, et vous en connaissez déjà le maniement.
 - L'incendie est de petite ampleur et contenu dans la zone où il s'est déclaré.
 - Le service d'incendie est appelé.

-
- On peut combattre l'incendie le dos tourné vers la sortie.

Dans la mesure du possible, ne pas faire fonctionner le système de ventilation lorsqu'un feu se déclenche sur une table de cuisson. Toutefois, ne pas passer la main à travers le feu pour mettre le système de ventilation hors tension.

Sécurité de cuisson

AVERTISSEMENT

Utiliser cet appareil uniquement pour l'usage auquel il est destiné comme l'indique ce manuel. Ne **JAMAIS** utiliser cet appareil comme un radiateur électrique portatif pour chauffer ou réchauffer une pièce. Ceci pourrait entraîner une intoxication par l'oxyde de carbone et provoquer une surchauffe de l'appareil. L'appareil ne doit jamais servir à entreposer quoi que ce soit.



CONSIGNES DE SÉCURITÉ IMPORTANTES

LIRE ET CONSERVER CES INSTRUCTIONS



AVERTISSEMENT

Ne JAMAIS couvrir les encoches, orifices ou passages pratiqués au fond du four et ne jamais recouvrir complètement la grille avec des matériaux tels que le papier d'aluminium. Ceci aurait pour effet de bloquer la circulation de l'air à l'intérieur du four et pourrait entraîner une intoxication par l'oxyde de carbone. Les feuilles d'aluminium peuvent également emprisonner la chaleur et présenter ainsi un risque d'incendie.



AVERTISSEMENT

Risque de brûlure !

Ne fermez pas le couvercle avant le refroidissement de l'appareil. N'allumez jamais l'appareil lorsque le couvercle est fermé. N'utilisez pas le couvercle pour maintenir au chaud ou déposer des objets.

Prévention des brûlures

NE PAS TOUCHER AUX ÉLÉMENTS DE SURFACE NI AUX ZONES PRÈS DES ÉLÉMENTS. Les unités de surface peuvent être chaudes même lorsqu'elles sont de couleur foncée. Les zones près des unités de surface peuvent devenir suffisamment chaudes pour causer des brûlures. Pendant et après l'utilisation, ne pas toucher, ni laisser vêtements, poignées isolantes ou autres matériaux inflammables entrer en contact avec les

éléments de surface ni aux zones près des éléments tant qu'ils n'ont pas refroidi. Citons notamment la table de cuisson et les surfaces situées près de celle-ci.

Ne pas chauffer ou réchauffer des contenants d'aliments non ouverts. L'accumulation de pression peut faire exploser le contenant et provoquer des blessures.

Toujours utiliser des poignées isolantes sèches. Des poignées mouillées ou humides entrant en contact avec les surfaces chaudes peuvent provoquer des blessures par dégagement de vapeur. Ne laissez pas les poignées toucher les éléments chauffants chauds. Ne pas utiliser de serviette ni de chiffon volumineux.

Mettre toujours la hotte **EN MARCHÉ** pendant la cuisson à température élevée et au moment de flamber des aliments (p.ex., crêpes Suzette, cerises jubiléées, steak au poivre flambé).

Utiliser les réglages élevés seulement lorsque nécessaire. Pour éviter bulles et éclaboussures, chauffer l'huile lentement à réglage faible ou moyen. L'huile chaude peut causer des brûlures et blessures extrêmement graves.

Ne déplacez jamais une poêle contenant de l'huile chaude, en particulier une bassine à friture. Attendez qu'elle se soit refroidie.

Attacher les vêtements lâches, etc. avant de commencer. Attacher les cheveux longs de façon à ce qu'ils ne pendent pas et ne pas porter de vêtements lâches ou

CONSIGNES DE SÉCURITÉ IMPORTANTES

LIRE ET CONSERVER CES INSTRUCTIONS

d'habits ou objets qui pendillent, tels que cravates, foulards, bijoux ou manches.

AVERTISSEMENT

Risque de brûlure !

Seulement si le couvercle (VD) est monté : ne fermez pas le couvercle avant le refroidissement de l'appareil. N'allumez jamais l'appareil lorsque le couvercle est fermé. N'utilisez pas le couvercle pour maintenir au chaud ou déposer des objets.

Sécurité des enfants

Lorsque les enfants sont assez âgés pour utiliser l'appareil, il incombe aux parents ou tuteurs légaux de veiller à ce qu'ils soient formés aux pratiques sécuritaires par des personnes qualifiées.

Ne permettre à personne de grimper, rester debout, s'appuyer, s'asseoir ou se pencher sur toute partie d'un appareil, notamment une porte, un tiroir-réchaud ou un tiroir de rangement. Ceci peut endommager l'appareil qui risque de basculer et causer des blessures sérieuses.

Ne pas permettre aux enfants d'utiliser cet appareil sauf sous la surveillance attentive d'un adulte. Ne pas laisser les enfants et les animaux seuls ou sans surveillance lorsque l'appareil est en service. Ne jamais les laisser jouer aux alentours de l'appareil, que ce dernier soit en service ou non.

ATTENTION

Les articles d'intérêt pour les enfants ne doivent pas être rangés dans un appareil électroménager, dans les armoires au-dessus de l'appareil ou sur le dosseret. Les enfants peuvent grimper sur l'appareil pour atteindre ces objets et se blesser sérieusement.

Consignes en matière de nettoyage

Ne nettoyez pas l'appareil pendant qu'il est encore chaud. Certains produits nettoyants produisent des vapeurs nocives lorsqu'ils sont appliqués sur une surface chaude. Chiffons ou éponges humides peuvent causer des brûlures par dégagement de vapeur.

Ne pas utiliser de nettoyeur à vapeur pour nettoyer l'appareil.

Ne pas faire tremper les éléments chauffants amovibles - Les éléments chauffants ne doivent jamais être plongés dans de l'eau.

Installation et entretien corrects

Demandez à l'installateur de vous montrer où se trouve le disjoncteur ou le fusible. Identifier sa position pour pouvoir le retrouver facilement.

Cet appareil doit être adéquatement installé et mis à la terre par un technicien agréé. Branchez l'appareil uniquement dans une prise correctement reliée à la terre. Pour plus de détails, reportez-vous à la notice d'installation.

CONSIGNES DE SÉCURITÉ IMPORTANTES

LIRE ET CONSERVER CES INSTRUCTIONS

Cet appareil est destiné uniquement à une utilisation domestique normale. Il n'est pas homologué pour un usage en extérieur. Voyez l'Énoncé de la Garantie Limitée. Si vous avez des questions, communiquez avec le fabricant.

Ne pas entreposer ni utiliser de produits chimiques corrosifs, vapeurs, substances inflammables ou produits non alimentaires à l'intérieur ou à proximité de l'appareil. Il a été spécialement conçu pour être utilisé pendant le chauffage et la cuisson des aliments. L'emploi de produits chimiques corrosifs pour chauffer ou nettoyer l'appareil endommagera ce dernier et peut provoquer des blessures.

S'assurer que les cuvettes de propreté ou cuvettes ramasse-gouttes sont bien en place - L'absence de ces cuvettes pendant la cuisson risque d'abîmer le câblage ou les composants inférieurs.

AVERTISSEMENT

Le non respect du mode de fonctionnement des boutons peut entraîner des lésions corporelles ou des dommages à l'appareil.

Ne pas se servir de cet appareil s'il ne fonctionne pas correctement ou s'il est endommagé. Communiquer avec un réparateur autorisé.

Ne cuisinez pas sur une table de cuisson brisée. Les solutions de nettoyage et les déversements peuvent créer des risques de choc électrique.

Ne pas réparer ni remplacer toute pièce de l'appareil à moins que cela ne soit spécifiquement recommandé par ce manuel. Toute réparation doit être effectuée par un centre de réparation autorisé par l'usine.

Pour éviter les risques d'électrocution, avant de réparer l'appareil, mettre l'alimentation hors circuit au niveau du panneau de service et le verrouiller pour éviter toute mise en circuit accidentelle.

ATTENTION

Anomalie

Lorsque l'appareil n'est pas en service, toujours ramener les manettes de commande en position zéro.

Avertissement issu de la proposition 65 :

Ce produit pourrait contenir un produit chimique reconnu par l'État de la Californie comme cancérigène ou ayant des effets nocifs sur la reproduction. Par conséquent, l'emballage de votre produit pourrait porter l'étiquette suivante, comme requis par la Californie :

AVERTISSEMENT ISSU DE LA PROPOSITION 65 DE L'ÉTAT DE LA CALIFORNIE :

AVERTISSEMENT

Cancer et dommages à la reproduction -
www.P65Warnings.ca.gov

Sources des dommages

AVIS

Risque généré par l'emploi d'accessoires inadaptés

Utilisez seulement les accessoires d'origine conçus pour l'appareil. N'utilisez ni barquette ni feuille en aluminium, car cela endommage la grille du gril.

Protection de l'environnement

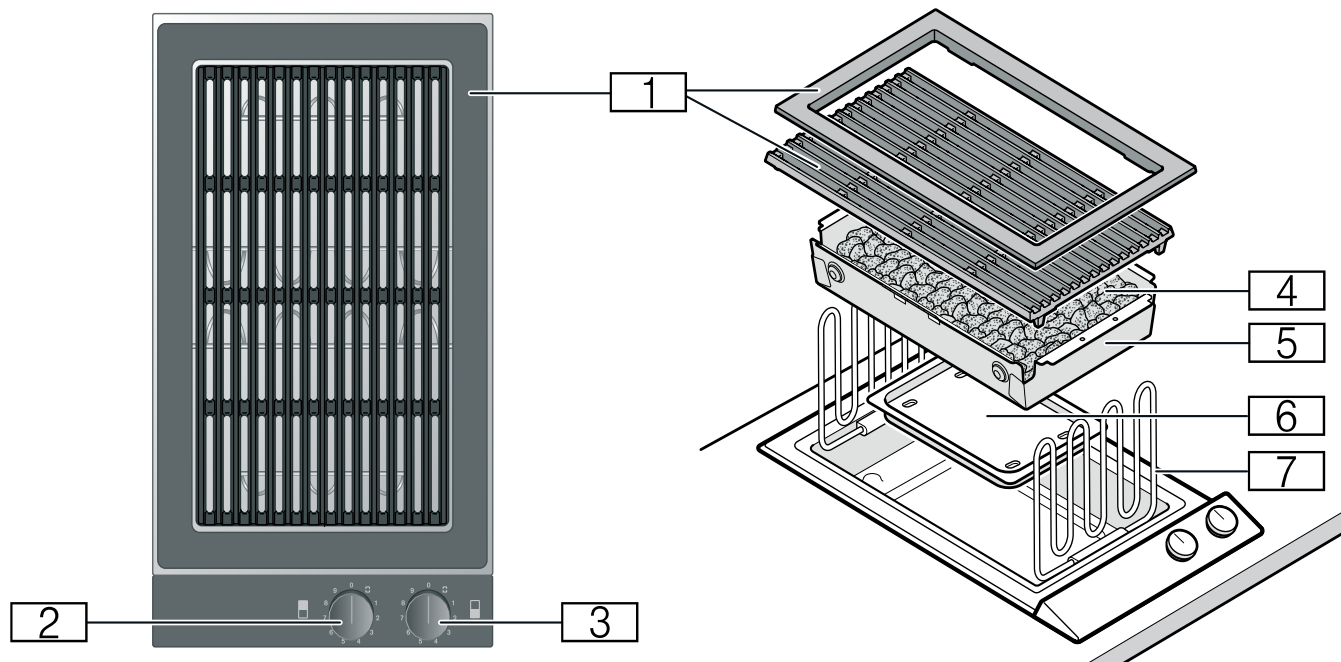
Ce chapitre vous fournit des informations sur l'économie d'énergie et sur la mise au rebut de l'appareil.

Conseils pour économiser l'énergie

- Préchauffez l'appareil uniquement jusqu'à ce qu'il ait atteint la température souhaitée.
- Profitez de la possibilité d'allumer uniquement la résistance chauffante du gril avant ou arrière pour préparer de petites quantités.
- Revenez à une puissance gril plus basse en temps voulu.
- Sélectionnez une puissance gril adaptée. Avec une puissance gril trop élevée, vous gaspillez de l'énergie.
- Exploitez la chaleur résiduelle du gril. Si les temps de cuisson sont plus longs, éteignez l'appareil 5 à 10 minutes avant la fin du temps de cuisson.

Présentation de l'appareil

Gril électrique



- 1 Grille et cadre
- 2 Bouton de commande de la résistance chauffante du gril arrière :
Positions gril 1-9
 Connecter la résistance chauffante du gril
- 3 Bouton de commande de la résistance chauffante du gril avant
Positions gril 1-9
 Connecter la résistance chauffante du gril
- 4 Pierres de lave
- 5 Récipient pour pierres de lave
- 6 Bac récupérateur des graisses
- 7 Résistance chauffante du gril

Accessoires

Les accessoires suivants sont fournis :

- Pierres de lave
- Brosse de nettoyage

Accessoires spéciaux

Vous pouvez commander les accessoires suivants auprès de votre distributeur :

- LV 030 000 Pierres de lave (à remplacer)
- Utilisez l'accessoire seulement de la manière indiquée. Le fabricant n'est pas responsable de l'utilisation non conforme des accessoires.

Anneau lumineux

Le bouton de commande est doté d'un anneau lumineux pouvant indiquer différents états.

Affichage	Signification
○ Arrêt	Appareil ÉTEINT
● Allumé en orange	Appareil ALLUMÉ
● Allumé : blanc, modification continue en orange	Voyant de chauffe Appareil ALLUMÉ
● Clignotant lentement : orange	Voyant de chaleur résiduelle Appareil ÉTEINT
☀ Clignotant : en alternance orange et blanc	Coupure de sécurité, panne de courant

Avant la première utilisation

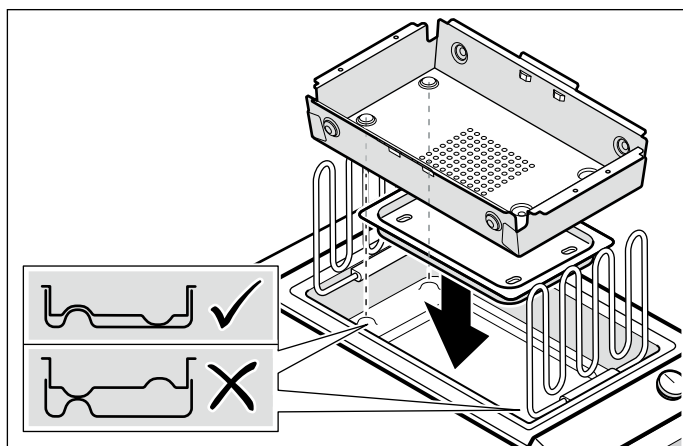
Vous trouverez ici les directives à suivre avant de préparer des mets pour la première fois avec votre appareil. Commencez par lire les consignes de sécurité.

Nettoyage de l'appareil

Avant la première utilisation, nettoyez l'appareil et les accessoires avec de l'eau tiède additionnée de détergent à vaisselle.

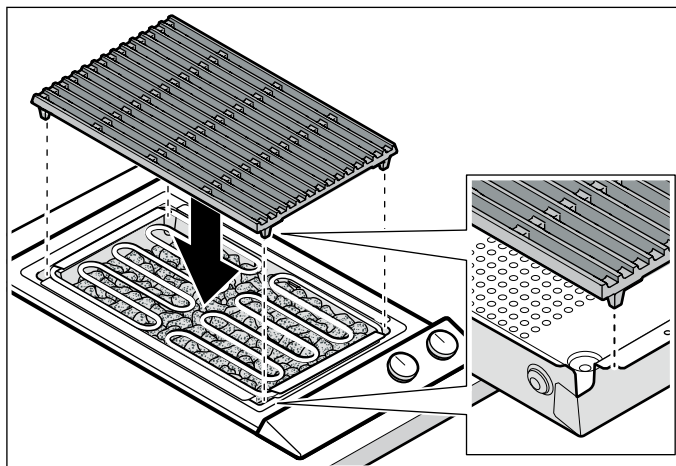
Préparer le gril

1. Insérez le bac récupérateur des graisses.
2. Mettez correctement en place le récipient pour pierres de lave. Les renflements dans le récipient pour pierres de lave correspondent aux renflements dans le fond de l'appareil.

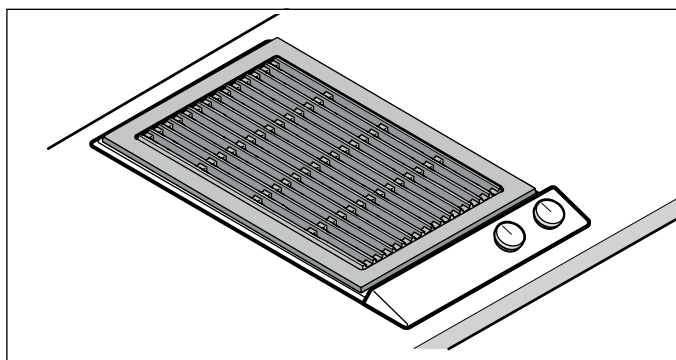


3. Retirez les pierres de lave du film plastique et remplissez le récipient pour pierres de lave.
4. Rabattez la résistance chauffante des deux grils. Les résistances chauffantes du gril doivent reposer à plat.

5. Posez la grille. Positionnez la grille de sorte que les pieds de la grille s'insèrent dans les évidements du récipient pour pierres de lave. Veillez à ce que la grille soit à plat.



6. Posez le cadre. Assurez-vous que le cadre repose à plat et que la distance entre la grille et le cadre soit uniforme.



⚠ AVERTISSEMENT

Risque de brûlure !

Les pièces de l'appareil deviennent très chaudes en fonctionnement. Faites uniquement fonctionner le gril lorsque le cadre et la grille sont correctement en place.

Chauffer le gril

Chauffez le gril pendant quelques minutes au niveau 9. Cela permet d'éliminer les éventuelles saletés et les odeurs.

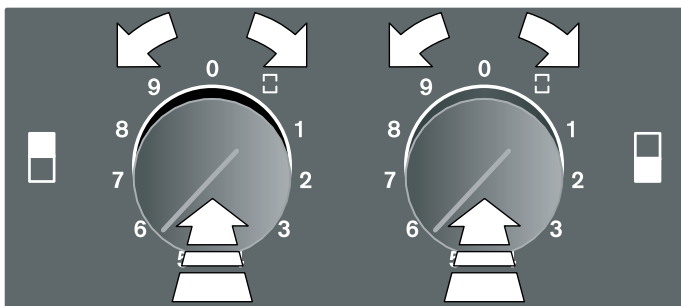
Utiliser l'appareil

Mise en marche

En fonctionnement, le cadre est plus froid que la grille. Pour griller, utilisez uniquement la surface de la grille.

Les deux résistances chauffantes du gril peuvent être réglées séparément. Vous pouvez ainsi griller des aliments requérant différentes températures simultanément. Si nécessaire, vous pouvez connecter les deux résistances chauffantes du gril et régler en même temps la même position de gril pour les deux résistances chauffantes du gril.

Enfoncez le bouton de commande et tournez-le sur la position de gril souhaitée. L'anneau lumineux s'allume en blanc. Si vous souhaitez ne pas faire cuire sur toute la zone du gril, allumez uniquement la résistance chauffante du gril avant ou arrière.



L'anneau lumineux passe du blanc à l'orange tant que l'appareil chauffe. Lorsque la température réglée est atteinte, un signal sonore retentit. La phase de préchauffage dure env. 10 minutes en position gril 9.

Connecter la résistance chauffante du gril

Enfoncez un bouton de commande de votre choix et tournez-le sur le symbole ☐. Enfoncez l'autre bouton de commande et tournez-le sur la position de gril souhaitée. Les deux résistances chauffantes du gril fonctionnent maintenant sur cette position de gril.

Arrêt

Tournez les manettes en position 0. Le voyant de marche s'éteint.

⚠ AVERTISSEMENT

Risque de brûlure !

L'appareil reste chaud pendant longtemps, même après avoir été éteint. Ne touchez pas l'appareil, tant que le voyant de chaleur résiduelle clignote.

⚠ AVERTISSEMENT

Risque de brûlure !

Ne fermez pas le couvercle avant le refroidissement de l'appareil. N'allumez jamais l'appareil lorsque le couvercle est fermé. N'utilisez pas le couvercle pour maintenir au chaud ou déposer des objets.

Indicateur de chaleur résiduelle

Après extinction, l'anneau lumineux du bouton de commande clignote lentement en orange tant que l'appareil est trop chaud pour pouvoir le toucher sans danger. Ne touchez pas l'appareil, tant que l'indicateur de chaleur résiduelle clignote.

Protection contre la surchauffe

En cas de surchauffe, la résistance du gril se coupe automatiquement pour protéger l'appareil et les meubles environnants. Une fois que l'appareil a suffisamment refroidi, rallumez-le.

Coupure de sécurité

Pour votre protection, l'appareil est doté d'une coupure de sécurité. Chaque processus de chauffe est coupé au bout de 4 heures si aucune manipulation n'a eu lieu. Même après une coupure de courant, la résistance de chauffe reste coupée. L'anneau lumineux du bouton de commande clignote en orange et en blanc en alternance.

Tournez le bouton de commande sur 0. Vous pourrez ensuite réutiliser l'appareil comme d'habitude.

Tableau de réglage et conseils

Plat cuisiné	Position de gril	Durée de grillade	Remarques
Viande et volaille			
Bifteck, à point, 2-3 cm	8	3 - 4 min par face	Le bifteck est à point quand du jus de viande en sort.
Côtes de veau, 2 cm	7	6 min par face	
Brochettes chachlyk, de 100 g	6 - 7	15 - 20 min	Retournez plusieurs fois.
Côtes d'agneau, rosées, 2 cm	7	6 min par face	
Échine de porc, 2 cm	7	6 - 8 min par face	
Saucisse grillée, 50 - 100 g	6 - 7	10-20 min	Retournez plusieurs fois.
Hamburger, 1 cm	6 - 7	12 - 15 min	
Escalopes de dinde, 2 cm	6 - 7	12 - 15 min	
Ailes de poulet, de 100 g	6 - 7	15 - 20 min	Retournez plusieurs fois.
Poisson et fruits de mer			
Gambas	7	5 - 12 min	Utilisez des crevettes entières, crues ou précuites.
Homard, précuit	8	7 - 15 min	
Darne de saumon, 3 cm	6	10 - 15 min	
Bifteck de thon, 3 cm	6 - 7	7 - 10 min	
Filet de poisson, 2 cm	6	6 - 8 min	par ex. hareng ou flétan
Truite, entière, 200 g	7	12 - 15 min	Badigeonnez la truite avec de l'huile afin que la peau n'accroche pas à la grille.
Garnitures			
Légumes	5	10 - 15 min	par ex. des courgettes et des aubergines en rondelles, des poivrons en quartiers
Têtes de champignon	6	4 - 6 min	
Fruits (par ex. pêches ou demi-poires)	5	5 - 10 min par face	
Maintien au chaud	1 - 2		Assurez-vous que la grille n'est pas trop chaude pour le maintien au chaud.

Conseils pour la cuisson

- Les valeurs du tableau de réglage ne sont qu'indicatives, car la chaleur nécessaire est variable selon la nature et l'état de l'aliment.
- Préchauffez l'appareil à la température souhaitée. L'anneau lumineux s'allume en blanc. L'anneau lumineux passe du blanc à l'orange tant que l'appareil chauffe. Lorsque la température réglée est atteinte, un signal sonore retentit.
- Préchauffez toujours le gril. Le rayonnement de chaleur intensif permet ainsi de former une croûte rapidement, ce qui empêche le jus de viande de s'échapper.
- Avant de le griller, vous pouvez enduire l'aliment à cuire d'huile résistante à la chaleur (par ex. huile d'arachide) ou le faire mariner. Cela améliore le goût. Veillez à ne pas utiliser trop d'huile ni de marinade au risque qu'elle ne prenne feu et qu'elle dégage beaucoup de fumée.
- Ne salez pas la viande avant de la griller. Des nutriments solubles et du jus de viande peuvent alors sortir.
- Placez la pièce à griller directement sur la grille. N'utilisez pas d'aluminium ni de barquettes pour gril.
- Ne retournez les pièces à griller que si elles se détachent facilement de la grille. Si la viande reste accrochée à la grille, les fibres seront détruites et le jus de viande s'échappe.

- Ne piquez pas la viande pendant la grillade, sinon du jus de viande peut s'échapper.
- Les pièces de viande salées telles que le jambon ou la viande de porc salée et fumée ne se prêtent pas à la grillade. Une combinaison nocive pour la santé peut se former.
- Incisez plusieurs fois les côtelettes au niveau de l'os et dans la couche de graisse pour qu'elles ne se bombent pas pendant la grillade.
- Retirez les couches de graisse de préférence après la grillade plutôt qu'avant, sinon la viande perd du jus et de l'arôme.
- Les pièces de volaille deviennent particulièrement croustillantes et brunes si vous les badigeonnez de beurre, d'eau salée ou de jus d'orange vers la fin du temps de grillade.
- Selon vos goûts, après les avoir grillés, les fruits peuvent être assaisonnés avec du sirop d'érable ou du jus de citron.
- Les légumes longs à cuire (comme les épis de maïs) peuvent être précuits avant d'être grillés.
- Grillez les filets de poisson en commençant côté peau. Badigeonnez la peau d'huile afin qu'elle ne reste pas accrochée à la grille.
- Servez les aliments grillés bien chauds. Ne les maintenez pas au chaud, sinon ils durcissent.

Nettoyage et entretien

AVERTISSEMENT

Risque de brûlure !

L'appareil chauffe pendant son fonctionnement. Avant de nettoyer l'appareil, il faut le laisser refroidir.

AVERTISSEMENT

Risque de choc électrique !

La pénétration d'humidité peut provoquer un choc électrique. Ne pas utiliser de nettoyeur à haute pression ou à vapeur.

AVIS

Endommagement des surfaces

N'utilisez pas ces produits nettoyants

- Produits agressifs ou abrasifs
- Nettoyant pour four
- Nettoyants corrosifs, chlorés ou agressifs
- Nettoyants très alcoolisés
- Éponges à vaisselle dures, abrasives, brosses ou tampons à récurer

Lorsqu'un produit de ce type tombe sur l'appareil, essuyez-le tout de suite à l'eau.

Rincez toujours soigneusement les éponges et lavettes neuves avant de les utiliser.

Nettoyage de l'appareil

Nettoyez l'appareil après chaque utilisation, quand il est froid. Vous éviterez ainsi de faire brûler les restes d'aliments. S'ils sont brûlés à plusieurs reprises, il est difficile de se débarrasser de ces résidus.

Ne grattez pas le gril pour retirer les résidus carbonisés, laissez-les plutôt ramollir dans de l'eau et du détergent à vaisselle.

Retirez la grille et relevez la résistance de chauffe. Sortez le récipient pour pierres de lave avec les pierres de lave.

Élément de l'appareil/ Surface	Nettoyage recommandé
Grille et cadre	<p>Éliminez les résidus avec la brosse de nettoyage. Laissez tremper la grille dans l'évier. Lavez-la avec la brosse de nettoyage et du détergent à vaisselle puis laissez-la sécher complètement.</p> <p>Pour les salissures tenaces, utilisez notre gel nettoyant pour gril (référence 00311761).</p> <p>Vous pouvez également nettoyer la grille et le cadre au lave-vaisselle. Ce faisant, la grille et le cadre peuvent se décolorer fortement. Cela n'a aucune influence sur son rendement.</p>
Plaque inox	<p>Appliquez du détergent à vaisselle sur un chiffon doux, humide ou une peau de chamois et séchez avec un chiffon doux. Faites tremper les salissures tenaces.</p> <p>Pour les salissures tenaces, utilisez notre nettoyant pour acier inox (référence 00311499) ou le gel nettoyant pour gril (référence 00311761).</p>
Récipient pour pierres de lave	<p>Sortez les pierres de lave. Nettoyez le récipient pour pierres de lave dans l'évier avec de l'eau additionnée de détergent à vaisselle et séchez-le avec un torchon doux. Laissez tremper les salissures tenaces ou éliminez-les avec notre gel nettoyant pour gril (référence 00311761).</p>
Pierres de lave	<p>Remplacez les pierres de lave quand elles sont noires. Les pierres de lave sont alors saturées en graisse et peuvent dégager une forte fumée pendant l'utilisation ou la graisse peut s'enflammer.</p> <p>Vous trouverez des pierres de lave adaptées auprès de votre revendeur (réf. article LV 030 000).</p>
Bac récupérateur des graisses	Nettoyez-le au lave-vaisselle.

Élément de l'appareil/ Surface	Nettoyage recommandé
Bandeau de commande	<p>Produit de nettoyage – le chiffon ne doit pas être trop mouillé. Séchez ensuite avec un chiffon doux.</p> <p>Retirez immédiatement les aliments acides qui tombent sur le bandeau de commande (par ex. vinaigre, ketchup, moutarde, marinades).</p>
Bouton de commande	Produit de nettoyage – le chiffon ne doit pas être trop mouillé. Séchez ensuite avec un chiffon doux.

ATTENTION

Dommages à l'appareil

Ne retirez pas les boutons de commande pour le nettoyage.

Dérangements, Que faire si...

AVERTISSEMENT

Risque de choc électrique !

Les réparations non-conformes sont source de danger. Les réparations doivent être faites exclusivement par un technicien après-vente formé par nos soins. Si l'appareil est défectueux, débranchez la fiche d'alimentation secteur ou désactivez le coupe-circuit concerné sur le tableau électrique. Appelez le service après-vente.

Un problème simple est souvent à la source d'une anomalie. Veuillez tenir compte des consignes figurant dans le tableau avant d'appeler le service après-vente.

Anomalie	Cause possible	Solution
L'appareil ne fonctionne pas	La fiche n'est pas branchée	Branchez l'appareil sur le secteur
	Fusible défectueux	Vérifiez dans le boîtier à fusibles si le fusible pour l'appareil est en bon état.
	Panne de courant	Vérifiez si les autres appareils de cuisine fonctionnent.
L'appareil ne chauffe pas, l'anneau lumineux s'allume en blanc	Le mode démonstration est activé.	Désactivez le mode démonstration : <ol style="list-style-type: none"> 1. Tournez tous les boutons de commande sur 0. Débranchez l'appareil pendant 30 secondes du réseau électrique (coupez le disjoncteur général ou le disjoncteur qui se trouve dans le boîtier à fusibles). 2. Branchez de nouveau l'appareil. Dans les 3 minutes, tournez un bouton de commande au choix d'une position vers la gauche. Tous les anneaux lumineux s'allument en blanc. 3. Tournez le bouton de commande de trois positions vers la droite. 4. Tournez de nouveau le bouton de commande sur 0. Deux signaux sonores viennent confirmer la désactivation du mode démonstration.
L'appareil ne chauffe pas, l'anneau lumineux s'allume en orange	Sécurité anti-surchauffe	L'appareil arrête automatiquement la résistance chauffante du grill, afin de protéger l'appareil et le meuble d'encastrement. Une fois que l'appareil a suffisamment refroidi, il remet en marche la résistance chauffante du grill. La durée de refroidissement peut aller jusqu'à 45 minutes.
L'appareil s'éteint pendant le fonctionnement, l'anneau lumineux clignote en alternance en orange et en blanc	Coupure de sécurité : Aucune commande n'a été effectuée pendant une durée prolongée	Tournez le bouton de commande sur 0, puis rallumez si nécessaire
	L'appareil reste éteint après une panne de courant	Tournez le bouton de commande sur 0, puis rallumez si nécessaire


Service après-vente

Si votre appareil doit être réparé, notre service après-vente est à votre disposition. Nous trouvons toujours une solution adaptée, y compris pour éviter les visites inutiles de techniciens.

Lors de votre appel, indiquez le numéro du produit (n° E) et le numéro de série (n° FD) afin que nous puissions vous donner une réponse précise. La plaquette d'identification comportant ces numéros se trouve sur le dessous de l'appareil. Pour ne pas avoir à chercher en cas de besoin, vous pouvez inscrire ici les références de l'appareil et le numéro de téléphone du service après-vente.

N° E

N° FD

Service après-vente 

Veillez lire le mode d'emploi et les directives d'entretien fournis avec l'appareil. Tout manquement à cette consigne pourrait entraîner une erreur à l'utilisation de l'appareil et des demandes de réparations inutiles, qui pourraient ne pas être sous garantie.

AVERTISSEMENT

Risque de choc électrique !

Les réparations non-conformes sont source de danger. Les réparations doivent être faites exclusivement par un technicien après-vente formé par nos soins. Si l'appareil est défectueux, débranchez la fiche d'alimentation secteur ou désactivez le coupe-circuit concerné sur le tableau électrique. Appelez le service après-vente.

Vous trouverez les données de contact pour tous les pays dans l'annuaire ci-joint du service après-vente.

Demande de réparation et conseils en cas de dysfonctionnement

CA 877 442 4436
toll-free

Contenido

▲ Definiciones de seguridad	32
INSTRUCCIONES DE SEGURIDAD IMPORTANTES	33
Seguridad para evitar incendios	33
Seguridad al cocinar	34
Prevención de quemaduras	35
Seguridad de los niños	36
Seguridad en la limpieza	36
Instalación y mantenimiento adecuados	36
Advertencia en virtud de la Proposición 65	37
Causas de daños	38
Protección del medio ambiente	38
Consejos para ahorrar energía	38
Presentación del aparato	39
Grill eléctrico	39
Indicación en el anillo luminoso	39
Accesorio	39
Accesorios especiales	39
Antes del primer uso	40
Limpiar el aparato	40
Preparar el grill	40
Calentamiento del grill	40
Manejo del electrodoméstico	41
Conectar	41
Apagar	41
Visualización del calor restante	41
Protección contra sobrecalentamiento	41
Desconexión de seguridad:	41
Tabla de ajustes y consejos	42
Consejos para cocer y asar	42
Cuidados y limpieza	43
Limpiar el aparato	43
¿Qué hacer en caso de avería?	45
Servicio de atención al cliente	46

▲ Definiciones de seguridad

▲ ADVERTENCIA

Esto indica que pueden producirse heridas graves o incluso la muerte si no se cumple con esta advertencia.

▲ ATENCION

Esto indica que pueden producirse heridas leves o moderadas si no se cumple con esta advertencia.

AVISO

Esto indica que pueden producirse daños en el aparato o en los bienes si no se cumple con este aviso.

Nota: Esto alerta sobre información o sugerencias importantes.

Encontrará más información sobre productos, accesorios, piezas de repuesto y servicios en internet: www.gaggenau.com y también en la tienda online: www.gaggenau.com/zz/store



INSTRUCCIONES DE SEGURIDAD IMPORTANTES

LEA Y CONSERVE ESTAS INSTRUCCIONES



ADVERTENCIA

Su nuevo electrodoméstico ha sido diseñado para ser seguro y confiable si recibe el cuidado adecuado. Lea atentamente todas las instrucciones antes de usarlo. Estas precauciones reducirán el riesgo de quemaduras, descarga eléctrica, incendio y lesiones a personas. Al utilizar electrodomésticos de cocina, se deben tomar precauciones de seguridad básicas, incluidas las que se encuentran en las páginas siguientes.

Seguridad para evitar incendios

No deje que papel de aluminio, plástico, papel ni tela entren en contacto con un elemento de la superficie, una hornilla o una rejilla calientes. No deje ollas hirviendo sin líquido.

Si la placa está cerca de una ventana, una ventilación o un ventilador de aire forzado, asegúrese de que los materiales inflamables, como los elementos utilizados para cubrir una ventana, no se aproximen a las hornillas o a los elementos ni se extiendan sobre estos. Podrían prenderse fuego.

Siempre tenga un detector de humo en funcionamiento cerca de la cocina.

Nunca deje la placa sin vigilancia cuando esté en uso. Los derrames por hervor causan humo y las salpicaduras grasosas pueden prenderse fuego.



ADVERTENCIA

PARA REDUCIR EL RIESGO DE INCENDIO OCASIONADO POR GRASA:

1. Nunca deje las unidades de la superficie sin vigilancia a valores altos. Los derrames por hervor causan humo y salpicaduras grasosas que pueden prenderse fuego. Caliente los aceites despacio, a valores bajos o medianos.
2. Siempre encienda la campana al cocinar a un valor de calor alto o al flambear alimentos (p. ej., Crepas Suzette, cerezas Jubilee, carne flambeada con granos de pimienta).
3. Limpie los ventiladores extractores con frecuencia. No se debe permitir la acumulación de grasa en los ventiladores ni en los filtros.
4. Use el tamaño adecuado de olla. Siempre use utensilios de cocina apropiados para el tamaño del elemento de la superficie.

En el caso de que su ropa se prenda fuego, arrójese al piso y ruede de inmediato para extinguir las llamas.

Tenga un extinguidor de incendio disponible, cerca, en un área fácilmente visible y accesible, cerca del electrodoméstico.

Sofoque las llamas provocadas por alimentos que se prenden fuego, que no



INSTRUCCIONES DE SEGURIDAD IMPORTANTES

LEA Y CONSERVE ESTAS INSTRUCCIONES

sean incendios ocasionados por grasa, con bicarbonato de sodio. Nunca use agua en incendios ocasionados al cocinar.

ADVERTENCIA

PARA REDUCIR EL RIESGO DE LESIONES A PERSONAS EN CASO DE INCENDIO OCASIONADO POR GRASA, SIGA ESTAS INDICACIONES:

1. SOFOQUE LAS LLAMAS con una tapa que ajuste correctamente, una placa para galletas u otra bandeja de metal, luego, apague el electrodoméstico. ASEGÚRESE DE PREVENIR LAS QUEMADURAS. Si las llamas no se apagan de inmediato, EVACUE EL ÁREA Y LLAME AL DEPARTAMENTO DE BOMBEROS.
2. NUNCA LEVANTE UNA OLLA EN LLAMAS. Puede quemarse.
3. NO USE AGUA, ni repasadores o toallas húmedos. Puede ocasionar una violenta explosión por vapor.
4. Use un extinguidor sólo si:
 - Sabe que tiene un extinguidor CLASE ABC y ya sabe cómo usarlo.
 - El incendio es pequeño y se limita al área donde se originó.
 - Alguien llamó al departamento de bomberos.
 - Puede combatir el incendio de espaldas a una salida.

incendio en la placa. Pero no atravesese el fuego con la mano para apagarla.

Seguridad al cocinar

ADVERTENCIA

Utilice este electrodoméstico sólo para su uso previsto, según se describe en este manual. NUNCA utilice este electrodoméstico como calentador de ambiente para calentar o calefaccionar la habitación. Hacerlo puede ocasionar intoxicación por monóxido de carbono y calentamiento excesivo del electrodoméstico. Nunca utilice el electrodoméstico para almacenar objetos.

ADVERTENCIA

NUNCA cubra ranuras, orificios ni conductos en la parte inferior del horno ni cubra toda una rejilla con materiales como papel de aluminio. Al hacerlo, se bloquea el flujo de aire a través del horno y esto podría causar intoxicación por monóxido de carbono. Los revestimientos de papel de aluminio también pueden atrapar el calor y causar un peligro de incendio.

Si es posible, no ponga el sistema de ventilación en funcionamiento si hay un



INSTRUCCIONES DE SEGURIDAD IMPORTANTES

LEA Y CONSERVE ESTAS INSTRUCCIONES



ADVERTENCIA

¡Peligro de quemaduras!

No cierre la cubierta del aparato hasta que este se haya enfriado. No ponga nunca el aparato en marcha con la cubierta cerrada. No utilice la cubierta del aparato como superficie para depositar enseres o como superficie de mantenimiento de calor.

Prevención de quemaduras

NO TOQUE LAS UNIDADES DE LAS SUPERFICIES NI LAS ÁREAS CERCANAS A LAS UNIDADES. Las unidades de la superficie pueden estar calientes, aunque su color sea oscuro. Las áreas cercanas a las unidades de la superficie pueden calentarse lo suficiente como para ocasionar quemaduras. Durante el uso y con posterioridad, no toque las unidades de la superficie o áreas cercanas a las unidades, ni deje que su ropa, agarradores ni otros materiales inflamables entren en contacto con estos hasta que haya transcurrido el tiempo suficiente para que se enfríen. Entre estas áreas, se encuentran la placa y las áreas que miran hacia la placa.

No caliente recipientes de alimentos sin abrir. La acumulación de presión puede hacer explotar el recipiente y causar lesiones.

Siempre use agarradores secos. Los agarradores húmedos o mojados sobre las superficies calientes pueden

ocasionar quemaduras por vapor. No deje que los agarradores toquen los elementos de calentamiento que estén calientes. No use toallas ni otros paños gruesos.

Siempre encienda la campana al cocinar a un valor de calor alto o al flambear alimentos (p. ej., Crepas Suzette, cerezas Jubilee, carne flambeada con granos de pimienta).

Use valores de calor altos en la placa sólo cuando sea necesario. Para evitar burbujas y salpicaduras, caliente el aceite despacio, a un valor bajo-mediano, como máximo. El aceite caliente puede provocar quemaduras y lesiones de extrema gravedad.

Nunca mueva un recipiente con aceite caliente, especialmente una freidora. Espere hasta que se haya enfriado.

Sujétese todas las prendas, etc. antes de comenzar. Sujétese el cabello largo de manera que no quede suelto, y no use prendas holgadas o sueltas, como corbatas, bufandas, joyas o mangas amplias.



ADVERTENCIA

¡Peligro de quemaduras!

Solo con la cubierta del aparato montada (VD): No cierre la cubierta del aparato hasta que este se haya enfriado. No ponga nunca el aparato en marcha con la cubierta cerrada. No utilice la cubierta del aparato como superficie para depositar enseres o como superficie de mantenimiento de calor.



INSTRUCCIONES DE SEGURIDAD IMPORTANTES

LEA Y CONSERVE ESTAS INSTRUCCIONES

Seguridad de los niños

Cuando los niños tienen la edad adecuada para utilizar el electrodoméstico, es responsabilidad de los padres o tutores legales asegurarse de que reciban las instrucciones sobre prácticas seguras por parte de personas calificadas.

No deje que nadie se suba, pare, incline, sienta o cuelgue de cualquier parte de un electrodoméstico, especialmente una puerta, cajón calentador o cajón para almacenamiento. Esto puede dañar el electrodoméstico, y la unidad puede caerse y, posiblemente, causar lesiones graves.

No permita que niños utilicen este electrodoméstico, a menos que sean supervisados de cerca por un adulto. Los niños y las mascotas no deben quedar solos o sin vigilancia en el área donde se utilice el electrodoméstico. Nunca se les debe permitir jugar cerca del electrodoméstico, independientemente de que esté en funcionamiento o no.



ATENCIÓN

Los objetos de interés para niños no deben almacenarse en un electrodoméstico, en gabinetes sobre un electrodoméstico ni en la placa antisalpicaduras. Si los niños se suben a un electrodoméstico para alcanzar estos objetos, podrían sufrir lesiones graves.

Seguridad en la limpieza

No limpie el electrodoméstico cuando aún esté caliente. Algunos limpiadores producen emanaciones tóxicas cuando se aplican en una superficie caliente. Las esponjas y los paños mojados pueden ocasionar quemaduras por vapor.

No use limpiadores a vapor para limpiar el aparato.

No humedezca los elementos de calentamiento desmontables; estos nunca deben sumergirse en agua.

Instalación y mantenimiento adecuados

Pídale al instalador que le muestre la ubicación del disyuntor o el fusible. Márquela para recordarla más fácilmente.

Este electrodoméstico debe ser correctamente instalado y conectado a tierra por un técnico calificado. Conéctelo sólo a una toma de corriente eléctrica correctamente conectada a tierra. Para obtener más información, consulte las Instrucciones de instalación.

Este electrodoméstico ha sido diseñado para uso doméstico normal únicamente. No está aprobado para uso en exteriores. Consulte la Declaración de Garantía limitada del Producto. Si tiene alguna pregunta, comuníquese con el fabricante.

No almacene ni utilice productos químicos corrosivos, vapores, materiales inflamables ni productos no alimenticios dentro de este electrodoméstico ni cerca de él. Está específicamente diseñado para calentar o cocinar alimentos. El uso



INSTRUCCIONES DE SEGURIDAD IMPORTANTES

LEA Y CONSERVE ESTAS INSTRUCCIONES

de productos químicos corrosivos al calentar o limpiar dañará el electrodoméstico y podría causar lesiones.

Asegúrese de que los platillos reflectantes o los bols recogegotas estén en su lugar: La ausencia de estos bols o platillos durante la cocción puede provocar daños en el cableado o en los componentes que se encuentran debajo de estos.



ADVERTENCIA

No hacer funcionar bien las perillas puede ocasionar lesiones personales y daños al electrodoméstico.

No utilice este electrodoméstico si no funciona correctamente o si ha sido dañado. Comuníquese con un centro de servicio técnico autorizado.

No cocine en una placa rota. Las soluciones de limpieza y los derrames pueden crear un riesgo de descarga eléctrica.

No repare ni cambie ninguna parte del electrodoméstico, a menos que se recomiende específicamente en este manual. Remita todas las reparaciones a un centro de servicio técnico autorizado por la fábrica.

Para evitar un peligro de descarga eléctrica, antes de reparar el electrodoméstico, apague la alimentación eléctrica en el panel de servicio y trabe el panel para impedir que se encienda accidentalmente.



ATENCION

Fallas en el funcionamiento

Siempre coloque la perilla de mando en cero cuando no se esté usando el equipo.

Advertencia en virtud de la Proposición 65:

Este producto puede contener un químico que el Estado de California reconoce como potencialmente cancerígeno o causante de daños reproductivos. Por tanto, su producto debe llevar en su embalaje la siguiente etiqueta de conformidad con la legislación de California:

ADVERTENCIA EN VIRTUD DE LA PROPOSICIÓN 65 DEL ESTADO DE CALIFORNIA:



ADVERTENCIA

Cáncer y daño reproductivo - www.P65Warnings.ca.gov

Causas de daños

AVISO

Daños en el aparato debido a accesorio inadecuado

Utilice solamente los accesorios originales previstos. No utilice charolas para asar ni papel aluminio. Esto podría dañar la parrilla.

Protección del medio ambiente

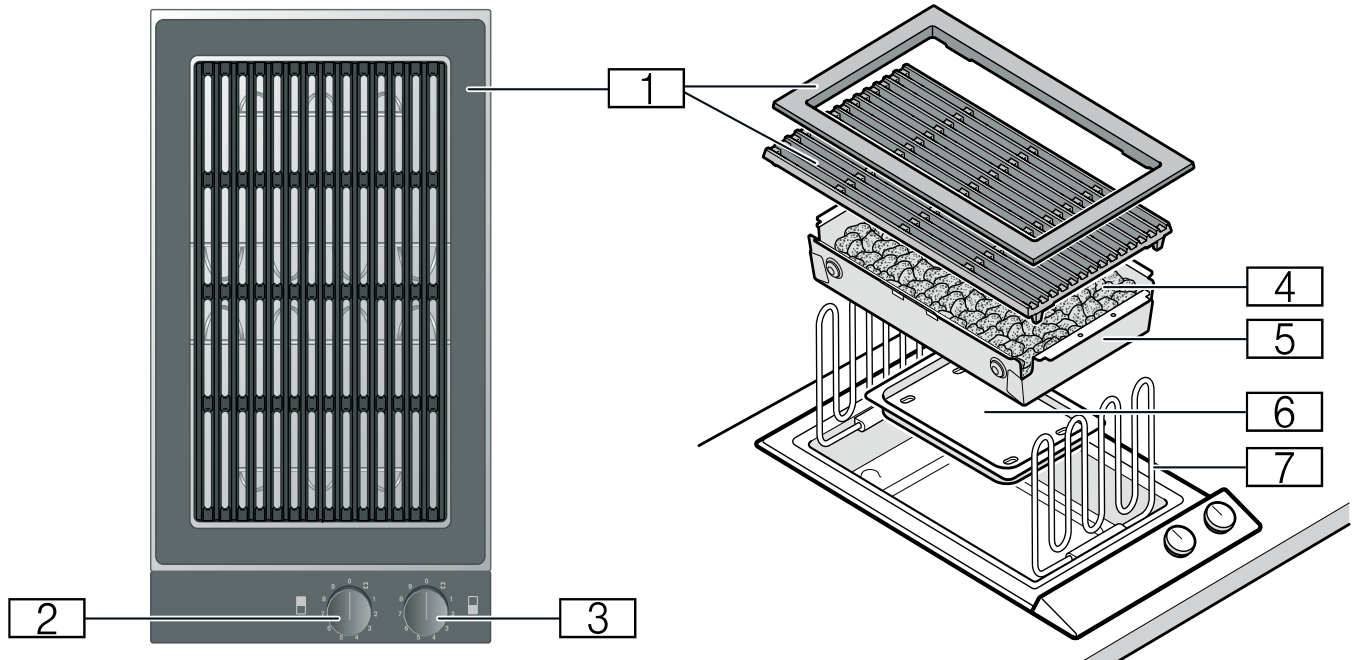
Este capítulo ofrece información sobre el ahorro de energía y como deshacerse del aparato.

Consejos para ahorrar energía

- Calentar el aparato solo hasta alcanzar la temperatura deseada.
- Aprovechar la opción de conectar únicamente los elementos calefactores del grill delanteros o traseros para la preparación de pequeñas cantidades.
- Seleccionar el nivel de grill más bajo que mantenga la cocción.
- Seleccionar el nivel de grill adecuado para mantener la cocción. Con un nivel de grill para mantener la cocción muy alto, se malgasta energía.
- Utilizar el calor residual del grill. Apagar el aparato 5-10 minutos antes del final de la cocción cuando se hayan programado tiempos de cocción prolongados.

Presentación del aparato

Grill eléctrico



- 1** La parrilla y el marco
- 2** Girar la perilla de control del elemento calefactor trasero del grill.
Niveles de grill 1-9
 Conectar elemento calefactor del grill
- 3** Perilla de control para el elemento calefactor delantero del grill
Niveles de grill 1-9
 Conectar elemento calefactor del grill
- 4** Piedras volcánicas
- 5** Recipiente para piedras volcánicas
- 6** Bandeja colector de grasa
- 7** Elemento calefactor del grill

Panel indicador	Significado
● Parpadeo lento: naranja	Indicador de calor residual, aparato APAGADO
☀ Parpadeo: alternancia entre naranja y blanco	Desconexión de seguridad, apagón

Accesorio

El accesorio siguiente forma parte del suministro:

- Piedras de lava
- Cepillo de limpieza

Accesorios especiales

En su comerciante especializado, puede adquirir el accesorio indicado a continuación:

- LV 030 000 Piedras volcánicas (para el cambio)
- Utilice el accesorio tal como se ha prescrito. El fabricante no se hace responsable por un uso incorrecto.

Indicación en el anillo luminoso

La perilla de control dispone de un anillo luminoso con distintas opciones de indicación.

Panel indicador	Significado
○ Apagado	Aparato APAGADO
● Iluminado en: naranja	Aparato ENCENDIDO
● Iluminado en: blanco, cambio constante a naranja	Indicador de calentamiento, aparato ENCENDIDO

Antes del primer uso

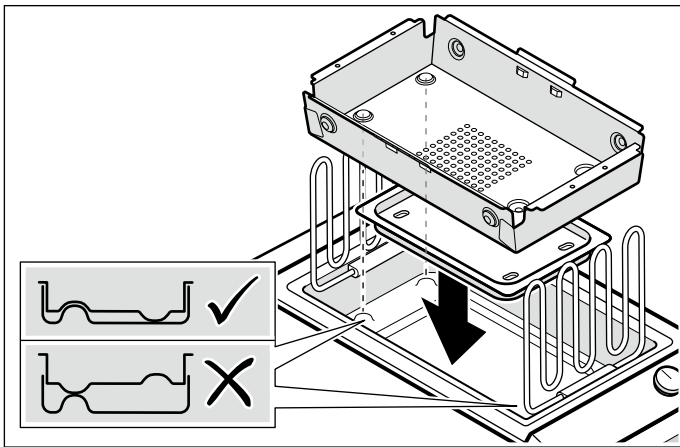
A continuación, se indican los pasos que deben seguirse antes de utilizar el aparato por primera vez. Leer en primer lugar el apartado Indicaciones de seguridad.

Limpiar el aparato

Limpiar a fondo el aparato y los accesorios con agua templada con un poco de jabón antes de usarlo por primera vez.

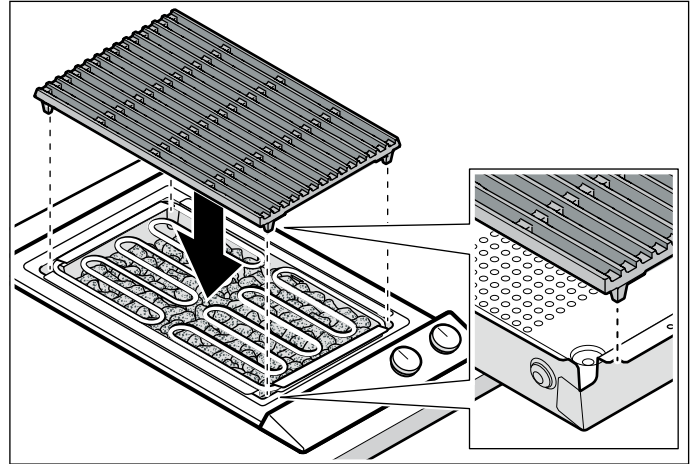
Preparar el grill

1. Colocar la bandeja colectora de grasa.
2. Colocar correctamente la bandeja para piedras volcánicas. Los salientes de la bandeja para piedras volcánicas se corresponden con los salientes de la base del aparato.

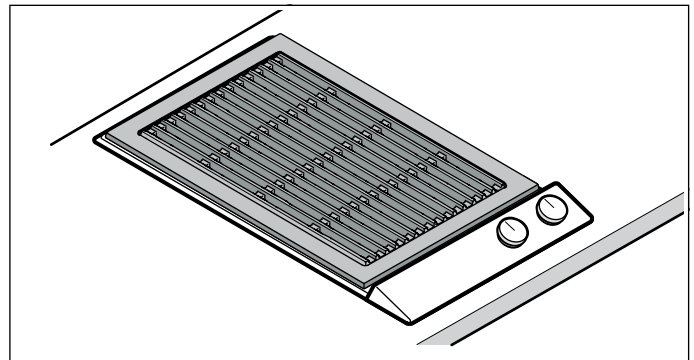


3. Retirar las piedras volcánicas del papel de aluminio e incorporarlas a la bandeja para piedras volcánicas.
4. Plegar los dos elementos calefactores del grill hacia abajo. Los elementos calefactores del grill deben estar en posición horizontal.

5. Colocar la parrilla. Colocar la parrilla de tal manera que sus soportes encajen en las muescas de la bandeja para piedras volcánicas. Asegurarse de que la parrilla esté colocada en posición horizontal.



6. Colocar el marco. Asegurarse de que el marco esté colocado en posición horizontal y de que la distancia entre la parrilla y el marco sea uniforme por todas partes.



⚠ ADVERTENCIA

¡Riesgo de sufrir quemaduras!

Las piezas del aparato se calientan durante el funcionamiento. Encender el grill únicamente tras comprobar que el marco y la parrilla estén correctamente colocados.

Calentamiento del grill

Calentar el grill a nivel de potencia 9 durante unos minutos. De este modo, se eliminan los olores y la suciedad.

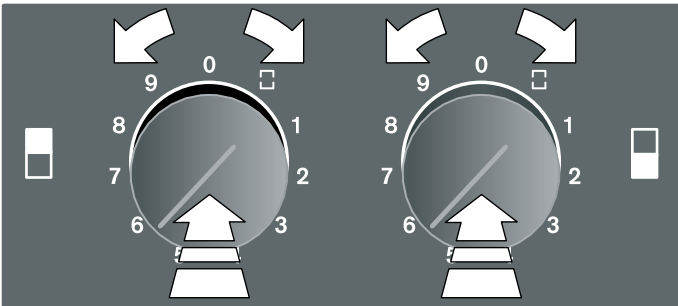
Manejo del electrodoméstico

Conectar

Durante el funcionamiento, el marco está más frío que la parrilla. Para asar al grill, utilizar únicamente la superficie de la parrilla.

Los dos elementos calefactores del grill pueden regularse por separado. Así se pueden asar al grill al mismo tiempo alimentos que requieren distintas temperatura. En caso necesario, se pueden conectar los dos elementos calefactores del grill y ajustar, de forma simultánea, el mismo nivel de potencia para los dos.

Oprimir la perilla de control y girarla hasta el nivel de potencia deseado. El anillo luminoso se ilumina en color blanco. Si no se desea asar en toda la zona de grill, encender solamente el elemento calefactor delantero o trasero.



El anillo luminoso pasa de color blanco a naranja durante el calentamiento del aparato. Una vez se ha alcanzado la temperatura programada, suena un tono de aviso. En el nivel de potencia 9 la fase de precalentamiento dura aprox. 10 minutos.

Conectar elemento calefactor del grill

Oprimir cualquier perilla de control y girarla hasta el símbolo □. Oprimir otra perilla de control y girarla hasta el nivel de potencia deseado. Los dos elementos calefactores del grill funcionan ahora en esta potencia.

Apagar

Gire la maneta de mando a la posición 0. La luz de operación se apaga.

⚠ ADVERTENCIA

¡Riesgo de sufrir quemaduras!

El aparato se mantiene caliente durante un largo periodo incluso después de desconectar el aparato. No tocar el aparato mientras el indicador de calor residual parpadee.

⚠ ADVERTENCIA

¡Peligro de quemaduras!

No cierre la cubierta del aparato hasta que este se haya enfriado. No ponga nunca el aparato en marcha con la cubierta cerrada. No utilice la cubierta del aparato como superficie para depositar enseres o como superficie de mantenimiento de calor.

Visualización del calor restante

Después de apagar el aparato, el anillo luminoso de la perilla del control parpadea lentamente en naranja para indicar que el aparato todavía está demasiado caliente como para tocarlo. No tocar el aparato mientras el indicador de calor residual parpadee.

Protección contra sobrecalentamiento

En caso de sobrecalentamiento, se apagan automáticamente los calentadores de la parrilla, para proteger el aparato y el mueble. Una vez que el aparato se ha enfriado lo suficiente, se conecta de nuevo.

Desconexión de seguridad:

Para la protección del usuario, el aparato está equipado con una desconexión de seguridad. Los procesos de calentamiento finalizan tras 4 horas si no se ha llevado a cabo ninguna operación durante este tiempo. Después de un corte en el suministro eléctrico, el elemento calefactor también se desconecta. El anillo luminoso situado en la perilla de control parpadea cambiando entre los colores naranja y blanco.

Girar la perilla de control hasta la posición 0, después se puede volver a poner en marcha el aparato del modo habitual.

Tabla de ajustes y consejos

Alimento	Nivel de grill	Tiempo de asado al grill	Observaciones
Carne y aves			
Filete, término medio, ¾"–1¼" (2–3 cm)	8	3-4 min. por lado	El filete está a término medio cuando sale jugo de la carne por la parte superior.
Chuleta de ternera, ¾" (2 cm)	7	6 min. por lado	
Brocheta, 3½ oz (100 g) cada una	6 - 7	15-20 min.	Dar la vuelta varias veces.
Chuletas de cordero, rosadas, ¾" (2 cm)	7	6 min. por lado	
Paleta de cerdo, ¾" (2 cm)	7	6-8 min. por lado	
Salchicha a la parrilla, 1½–3½ oz (50–100 g)	6 - 7	10-20 min.	Dar la vuelta varias veces.
Hamburguesa, ½" (1 cm)	6 - 7	12-15 min.	
Filetes de pavo, ¾" (2 cm)	6 - 7	12-15 min.	
Alitas de pollo, 3½ oz (100 g) cada una	6 - 7	15-20 min.	Dar la vuelta varias veces.
Pescados y mariscos			
Langostinos	7	5-12 min.	Utilizar camarones sin pelar, crudos o precocidos.
Langosta, precocida	8	7-15 min.	
Filete de salmón, 1¼" (3 cm)	6	10-15 min.	
Filete de atún, 1¼" (3 cm)	6 - 7	7-10 min.	
Filete de pescado, ¾" (2 cm)	6	6-8 min.	P. ej., arenque o halibut
Trucha entera, 7 oz (200 g)	7	12-15 min.	Untar la trucha con aceite para que la piel no se pegue a la parrilla.
Guarniciones			
Verduras	5	10-15 min.	P. ej., calabacitas y berenjena en rodajas; pimienta en cuartos
Sombreros de los champiñones	6	4-6 min.	
Fruta (p. ej., trozos de melocotón o pera)	5	5-10 min. por lado	
Conservar caliente	1 - 2		Asegurarse de que la parrilla no está a una temperatura demasiado elevada para conservar caliente el alimento.

Consejos para cocer y asar

- Los valores de la tabla de ajustes son válidos únicamente a modo de indicación puesto que, en función del tipo de platillo y su estado, será necesario utilizar mayor o menor calor.

- Precalentar el aparato a la temperatura deseada. El anillo luminoso se ilumina en color blanco. El anillo luminoso pasa de color blanco a naranja durante el calentamiento del aparato. Una vez se ha alcanzado la temperatura programada, suena un tono de aviso.
- Precalentar siempre el grill. El calor intenso puede hacer que se forme una costra e impedir que salga jugo de la carne.

- Se puede untar el alimento antes de asarlo al grill con aceite resistente al calor (p. ej., aceite de cacahuete) o marinarlo. De este modo se mejora el sabor. No utilizar demasiado aceite o escabeche, ya que de lo contrario pueden crearse llamas o mucho humo.
- No salar la carne antes de asarla al grill. De lo contrario pueden escapar sustancias nutritivas solubles y jugo de la carne.
- Colocar el alimento directamente sobre la parrilla. No emplear papel de aluminio o bandejas de grill.
- Dar la vuelta a los alimentos en el grill cuando empiecen a despegarse ligeramente de la parrilla. Si la carne se queda pegada en la parrilla, las fibras se deshacen y sale jugo de la carne.
- No pinchar la carne mientras se esté asando al grill, ya que de hacerlo, podría perderse jugo.
- Los alimentos curados, como el jamón o el lacón no son apropiados para asar al grill. Podrían ser perjudiciales para la salud.
- Puncionar el hueso y la capa de grasa de las chuletas varias veces para que no se arqueen al asarlas en el grill.
- Es preferible retirar la capa de grasa tras el asado al grill y no antes para que la carne no pierda jugo y aroma.
- Las piezas de aves quedan muy doradas y crujientes si, más o menos al final del tiempo de asado al grill, se untan con mantequilla, agua con sal o zumo de naranja.
- La fruta, según su sabor, se puede sazonar tras asarla en el grill con miel, jarabe de maple o jugo de limón.
- Las verduras que precisan un largo tiempo de cocción (p. ej., mazorcas) pueden precocinarse antes de asarse en el grill.
- Asar en el grill los filetes pescado en primer lugar sobre el lado de la piel. Untar la piel con aceite para que no se quede pegada en la parrilla.
- Servir los alimentos asados al grill calientes. No mantenerlos con calor, ya que de lo contrario se pondrán duros.

Cuidados y limpieza

ADVERTENCIA

¡Peligro de quemaduras!

El aparato se calienta cuando está en marcha. Antes de limpiar el aparato, dejar que se enfríe.

ADVERTENCIA

¡Peligro de descarga eléctrica!

La humedad penetrante puede causar una descarga eléctrica. No use una hidrolavadora ni un limpiador por vapor.

AVISO

Daños en la superficie

No utilice estos productos de limpieza

- Limpiadores agresivos o por fregado
- Limpiadores de horno
- Limpiadores cáusticos, clorados o agresivos
- Limpiadores que contengan mucho alcohol
- Esponjas de lavado muy rígidas, cepillos duros o fibras duras que produzcan rayaduras

Si llega a caer en el equipo un producto de este tipo, enjuáguelo de inmediato con agua.

¡Siempre lave a fondo los trapos de esponja antes de usarlos!

Limpiar el aparato

Limpiar el aparato después de cada uso una vez se haya enfriado. De este modo se evita que se quemen los restos. Si los restos se queman varias veces, resulta muy difícil eliminarlos.

No rascar los restos quemados para eliminarlos; dejarlos en remojo con agua y detergente.

Retirar la parrilla y desplazar el elemento calefactor hacia arriba. Extraer la bandeja para piedras volcánicas con las piedras volcánicas.

Pieza del aparato/superficie	Limpieza recomendada
La parrilla y el marco	Retirar los restos grandes con el cepillo de limpieza. Remojar la parrilla en el fregadero. Limpiar con el cepillo de limpieza y detergente, y dejar secar por completo. Si la suciedad es intensa, usar nuestro gel limpiador para grill (n.º art. 00311761). La parrilla y el marco también pueden lavarse en el lavavajillas. De esta forma es posible que se decoloren. Esto no afecta a su uso.
Placa de acero inoxidable	Limpiar con detergente convencional usando un paño suave y humedecido; secar con un paño suave. Ablandar la suciedad persistente. Si la suciedad es intensa, usar nuestro limpiador para acero inoxidable (n.º de artículo 00311499) o el gel limpiador para grill (n.º de artículo 00311761).
Bandeja para piedras volcánicas	Retirar piedras volcánicas. Limpiar la bandeja para piedras volcánicas en el fregadero con agua y detergente utilizando un cepillo para fregar los platos; secar a continuación con un paño suave. Dejar en remojo la suciedad persistente o eliminarla con nuestro gel limpiador para grill (n.º de artículo: 00311761).
Piedras volcánicas	Sustituir las piedras volcánicas cuando se pongan negras. Las piedras volcánicas están empapadas con grasa y, por tanto, durante su uso pueden despedir humo o la grasa podría inflamarse. Se pueden adquirir piedras volcánicas adecuadas a través del comercio especializado (n.º de artículo: LV 030 000).
Bandeja colectora de grasa	Lavar en el lavavajillas.

Pieza del aparato/superficie	Limpieza recomendada
Panel de control	Agua con un poco de jabón. No humedecer el paño en exceso. Secar con un paño suave. Retirar de inmediato del panel de control los alimentos ácidos (por ejemplo, vinagre, ketchup, mostaza, escabeche).
Perilla de control	Utilizar agua con un poco de jabón y no humedecer el trapo en exceso. Secar con un paño suave.



ATENCIÓN

Daños en el aparato

No retirar la perilla de control para limpiarla.

¿Qué hacer en caso de avería?

ADVERTENCIA

¡Peligro de descarga eléctrica!

Las reparaciones incorrectas son peligrosas. Solo puede realizar reparaciones uno de nuestros técnicos capacitados de Servicio al Cliente. Si el electrodoméstico está defectuoso, desconecte el enchufe o desconecte el fusible en la caja de fusibles. Llame al Servicio al Cliente.

Con frecuencia, cuando se produce una avería, suele tratarse de una pequeña anomalía fácil de subsanar. Antes de llamar al servicio de atención al cliente, deben tenerse en cuenta las indicaciones de la tabla.

Falla	Posible causa	Solución
El aparato no funciona	El enchufe no está conectado a la red	Enchufar el aparato a la red eléctrica
	Fusible defectuoso	Comprobar en la caja de fusibles si el fusible del aparato funciona correctamente
	Interrupción en el suministro eléctrico	Comprobar si los demás aparatos de cocina funcionan
El aparato no calienta; el anillo luminoso se ilumina en color blanco	El modo Demo está activado.	Desactivar el modo Demo: <ol style="list-style-type: none"> 1. Girar todas las perillas de control hasta 0. Desconectar el aparato durante 30 segundos de la red eléctrica (desconectar el fusible general o el interruptor de protección de la caja de fusibles). 2. Conectar de nuevo el aparato a la red eléctrica. En el plazo de 3 minutos, girar la perilla de control una posición hacia la izquierda. Todos los anillos luminosos se iluminan en color blanco. 3. Girar la perilla de control tres posiciones hacia la derecha. 4. Girar de nuevo la perilla de control hasta 0. Dos tonos de aviso confirman la desactivación del modo Demo.
El aparato no calienta; el anillo luminoso se ilumina en color naranja	Protección contra sobrecalentamiento	Para proteger el aparato y el mueble de montaje, el aparato desactiva el elemento calefactor del grill. Una vez el aparato se ha enfriado suficientemente, se activa el elemento calefactor del grill. El proceso de enfriado puede durar hasta 45 minutos.
Cuando el aparato se apaga, el anillo luminoso parpadea alternando entre naranja y blanco.	Desconexión de seguridad: Ha transcurrido mucho tiempo sin realizar ninguna acción	Girar la perilla de control hasta 0 y después, en caso necesario, volver a encender.
	Tras una interrupción de corriente, el aparato se queda apagado.	Girar la perilla de control hasta 0 y después, en caso necesario, volver a encender.

Servicio de atención al cliente

Si su aparato necesita una reparación, nuestro servicio de atención al cliente estará encantado de ayudarle. Siempre encontramos la solución adecuada, incluso para evitar visitas innecesarias de los técnicos.

Cuando llame por teléfono, indique la referencia del producto (Nº E) y el número de fabricación (Nº FD) para que podamos ofrecerle un servicio cualificado. La placa de identificación con los números correspondientes los encontrará en la parte inferior del aparato. Para evitar tener que buscar los datos de su aparato cuando los precise, es aconsejable anotarlos aquí conjuntamente con el número de teléfono del Servicio de atención al cliente.

Nº E.

Nº FD.

Servicio de atención al cliente 

Lea las instrucciones de uso y cuidado que se suministran con su aparato. De no hacerse, podría producirse un error en el uso del aparato con sus consecuentes llamadas de servicio innecesarias, que pueden no estar cubiertas por la garantía.

ADVERTENCIA

¡Peligro de descarga eléctrica!

Las reparaciones incorrectas son peligrosas. Solo puede realizar reparaciones uno de nuestros técnicos capacitados de Servicio al Cliente. Si el electrodoméstico está defectuoso, desconecte el enchufe o desconecte el fusible en la caja de fusibles. Llame al Servicio al Cliente.

Las señas de las delegaciones internacionales figuran en la lista adjunta de centros y delegaciones del Servicio de Asistencia Técnica Oficial.

Solicitud de reparación y asesoramiento en caso de averías

US 877 442 4436
toll-free

Gaggenau
BSH Home Appliance Corporation
1901 Main Street, Suite 600
Irvine, CA 92614
1-877-442-4436

www.gaggenau.com/us
© 2019 BSH Home Appliances

Gaggenau Hausgeräte GmbH
Carl-Wery-Straße 34
81739 München
GERMANY



9001408963 (991008)
en-us, es-mx, fr-ca

GAGGENAU