

Dishwasher

User manual

DW80R9950 Series



SAMSUNG

Contents

Safety information	4
What you need to know about the safety instructions	4
Important safety symbols	4
Before using your dishwasher	7
Before you start	12
Unpacking your dishwasher	12
Checking parts	13
Unsuitable items for the dishwasher	15
Water reflector	15
Using your dishwasher	16
Basic use of racks	16
Detergent guidelines	27
Touchpad responsiveness	30
Operations	31
Control panel	31
Cycle overview	34
Simple steps to start your dishwasher	35
Settings	36
SmartThings	37
Special features	40
Maintenance	41
Cleaning	41
Long-term care	44
Cleaning the drain pump	45
Storing your dishwasher	45

Troubleshooting	46
Check these solutions if your dishwasher...	46
Information codes	51
Cycle chart	53
Appendix	55
Helping the environment	55
Specifications	55
Warranty (U.S.A)	56



Safety information

Congratulations on your new Samsung dishwasher. This manual contains important information on the installation, use, and care of your appliance. Please take time to read this manual to take full advantage of your dishwasher's many benefits and features.

What you need to know about the safety instructions

Warnings and Important Safety Instructions in this manual do not cover all possible conditions and situations that may occur. It is your responsibility to use common sense, caution, and care when installing, maintaining, and operating your dishwasher.

Important safety symbols

What the icons and signs in this user manual mean:

WARNING

Hazards or unsafe practices that may result in **severe personal injury or death**.

To reduce the risk of fire, explosion, electric shock, or personal injury when using your dishwasher, follow these basic safety precautions:

CAUTION

Hazards or unsafe practices that may result in **minor personal injury or property damage**.

NOTE

These warning signs are here to prevent injury to you and others.

Please follow them explicitly.

After reading this section, keep it in a safe place for future reference.

SAVE THESE INSTRUCTIONS



California Proposition 65 Warning

 **WARNING:** Cancer and Reproductive Harm - www.P65Warnings.ca.gov

WARNING

When using your dishwasher, follow basic precautions, including the following:

1. Read all instructions before using the dishwasher.
2. Use the dishwasher only for its intended function.
3. Use only detergents or wetting agents recommended for use in a dishwasher and keep them out of the reach of children.
4. When loading items to be washed:
 - locate sharp items so that they are not likely to damage the door seal, and
 - load sharp knives with the handles up to reduce the risk of cut-type injuries.
5. Do not wash plastic items unless they are marked "dishwasher safe" or the equivalent. For plastic items not so marked, check the manufacturer's recommendations.
6. Do not touch the HEATING ELEMENT during or immediately after use.
7. Do not operate your dishwasher unless all ENCLOSURE panels are properly in place.
8. Do not tamper with the controls.
9. Do not abuse, sit on, or stand on the door or dish rack of the dishwasher.
10. To reduce the risk of injury, do not allow children to play in or on the dishwasher.
11. Under certain conditions, hydrogen gas may be produced in a hot-water system that has not been used for two weeks or more. HYDROGEN GAS IS EXPLOSIVE. If the hot-water system has not been used for such a period, before using the dishwasher turn on all hot-water faucets and let the water flow from each for several minutes. This will release any accumulated hydrogen gas. As the gas is flammable, do not smoke or use an open flame during this time.
12. Remove the door to the washing compartment when removing an old dishwasher from service or discarding it.

SAVE THESE INSTRUCTIONS



Safety information

CAUTION

- After unpacking the dishwasher, keep the packaging out of the reach of children.
- The dishwasher is extremely heavy. Do not attempt to move or carry the dishwasher by yourself. Two or more people are needed to move a dishwasher and avoid potential injuries.
- As with any equipment using electricity, water, and moving parts, potential hazards exist.
- Do not install the dishwasher near electrical components. Keep the dishwasher away from open flames.
- Install and level your dishwasher on an uncarpeted floor that can support its weight.
- Your dishwasher must be properly grounded. Never connect it to an ungrounded outlet. See page 7 for more information on grounding your dishwasher.
- Connect the ground wire to the green ground connector in the terminal box.
- After the dishwasher is installed, check that the drain hose is properly connected and that there is no leakage from the hose connectors. If the drain hose is loose, it may cause property damage.
- The water supply line is susceptible to breakage. As time goes by, it becomes less flexible. Check the line periodically. If it is swollen, torn, cut, or there is a water leak, replace it immediately.
- To safely operate this appliance, familiarize yourself with its operations and exercise care when using it.
- Do not put gasoline, solvents, or other flammable materials inside the dishwasher. Do not wash dishes exposed to these materials.
- Keep your dishwasher detergent out of the reach of children. Detergent has an adverse effect on human organs. It contains elements for polishing and is corrosive. Avoid letting the detergent come into contact with your skin and eyes.
- Do not push or place pressure on the door when it is open, as this may damage the dishwasher or cause harm.
- Do not allow children to play in or on the dishwasher. They may harm themselves or damage the dishwasher.

SAVE THESE INSTRUCTIONS



- Disconnect the power cable (or set the circuit breaker to off) before servicing your dishwasher.
- Do not repair, replace, or service any part of your dishwasher yourself. Disassembly, repairs, and modifications are permitted by authorized service technicians only. Work done by an unauthorized person may void your warranty.
- Before disposing of your dishwasher, remove the door of the washing compartment or the door latch so that children or small animals cannot get trapped inside.
- If the dishwasher is left unused for an extended period of time, turn off the water supply.
- This dishwasher is intended for residential use only.

Before using your dishwasher

WARNING



Tip-Over Hazard

- Do not use the dishwasher until it is correctly installed.
- Do not push down on the dishwasher door when it is open.
- Do not place excessive weight on the dishwasher door when it is open.



Electric Shock Hazard

Failure to follow these instructions can result in death, fire, or electric shock:

- Electrically ground the dishwasher
- Connect the ground wire to the green ground connector in the junction box.
- Do not use an extension cord.

SAVE THESE INSTRUCTIONS



Safety information

Regulatory notice

FCC Notice

FCC CAUTION:

Any changes or modifications not expressly approved by the party responsible for compliance could void the user's authority to operate the equipment.

This device complies with Part 15 of FCC Rules. Operation is Subject to following two conditions:

- (1) This device may not cause harmful interference, and
- (2) This device must accept any interference received including interference that cause undesired operation.

For products sold in the US and Canadian markets, only channels 1-11 are available. You cannot select any other channels.

FCC STATEMENT:

This equipment has been tested and found to comply within the limits for a Class B digital device, pursuant to part 15 of the FCC Rules. These limits are designed to provide reasonable protection against harmful interference in a residential installation.

This equipment generates, uses, and can radiate radio frequency energy and, if not installed and used in accordance with the instructions, may cause harmful interference to radio communications. However, there is no guarantee that interference will not occur in a particular installation. If this equipment does cause harmful interference to radio or television reception, which can be determined by turning the equipment off and on, the user is encouraged to try to correct the interference by one or more of the following measures:

- Reorienting or relocating the receiving antenna
- Increasing the separation between the equipment and receiver
- Connecting the equipment to an outlet that is on a different circuit than the radio or TV.
- Consulting the dealer or an experienced radio/TV technician for help.

SAVE THESE INSTRUCTIONS



FCC RADIATION EXPOSURE STATEMENT:

This equipment complies with FCC radiation exposure limits set forth for an uncontrolled environment. This equipment should be installed and operated so there is at least 8 inches (20 cm) between the radiator and your body. This device and its antenna(s) must not be co-located or operated in conjunction with any other antenna or transmitter.

IC Notice

The term “IC” before the radio certification number only signifies that Industry Canada technical specifications were met. Operation is subject to the following two conditions: (1) this device may not cause interference, and (2) this device must accept any interference, including interference that may cause undesired operation of the device.

This Class B digital apparatus complies with Canadian ICES-003.

Cet appareil numérique de la classe B est conforme à la norme NMB-003 du Canada.

For products sold in the US and Canadian markets, only channels 1-11 are available. You cannot select any other channels.

IC RADIATION EXPOSURE STATEMENT:

This equipment complies with IC RSS-102 radiation exposure limits set forth for an uncontrolled environment. This equipment should be installed and operated so there is at least 8 inches (20 cm) between the radiator and your body. This device and its antenna(s) must not be co-located or operated in conjunction with any other antenna or transmitter.

SAVE THESE INSTRUCTIONS

Safety information



Equipment EUT Type	Unintentional Emitter per FCC Part 15
Kind of product	Dishwasher
Trade Name	Samsung
Model	DW80R9950UG, DW80R9950US, DW80R9950UT
Variant Model	-
Applied Rules	47 CFR Part 15, Subpart B / ANSI C63.4-2014
	ICES-003 Issue 6
Manufacturer	Samsung Electronics Co., Ltd. (Maetan dong) 129, Samsung-ro, Yeongtong-Gu, Suwon-Si, Gyeonggi-Do 16677 Korea
U.S. RESPONSIBLE PARTY	Samsung Electronics America QA Lab 19 Chapin Rd. Building D Pine Brook NJ 07058 Tel: 1-973-808-6375 Fax: 1-973-808-63

SAVE THESE INSTRUCTIONS

Open Source Announcement

The software included in this product contains open source software. You may obtain the complete corresponding source code for a period of three years after the last shipment of this product by sending an email to <mailto:oss.request@samsung.com>.

It is also possible to obtain the complete corresponding source code in a physical medium such as a CD-ROM; a minimal charge will be required.

The following URL http://opensource.samsung.com/opensource/SMART_AT_051/seq/0 leads to the download page of the source code made available and open source license information as related to this product. This offer is valid to anyone in receipt of this information.



SAVE THESE INSTRUCTIONS

Before you start

Be sure to have your installer follow these instructions closely so that your new dishwasher works properly and that you're not at risk of injury when washing dishes.

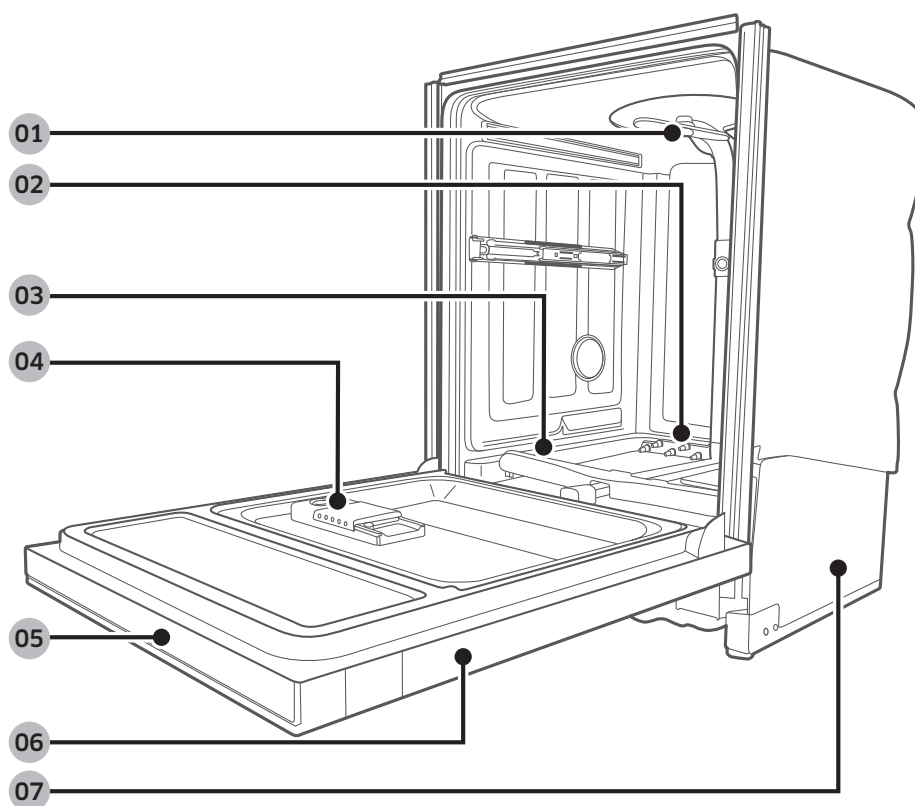
Unpacking your dishwasher

- Once your new dishwasher has been delivered to you, carefully unpack it and check for any damage.
If the dishwasher has been damaged, make note of it on the waybill and keep a copy. Do not install the dishwasher, and contact Samsung Customer Service at the number listed on the next page.
- If there is no damage to the product, you can proceed with the installation. If you are going to install it yourself, make sure to read through the installation guide and follow the directions inside.
- After unpacking your dishwasher, keep the packaging out of the reach of children to ensure their safety.

Checking parts

When your dishwasher has been unpacked, make sure you've received all the parts shown below.

If your dishwasher was damaged during shipping, or if you do not have all the parts, contact **Samsung Customer Service** at **1-800-SAMSUNG (726-7864)**.



01 Top nozzle

02 Lower nozzle

03 Water reflector

04 Dispenser

05 Control panel

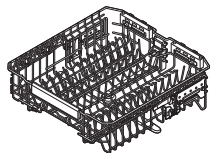
06 Door

07 Base

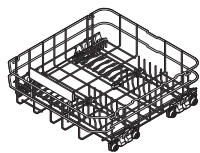
Before you start

Before you start

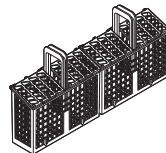
Accessories



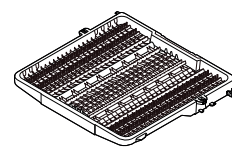
Upper rack



Lower rack



Cutlery rack



3rd rack

NOTE

Accessory parts - User/Installation manual, Installation Kit, Kick Plate.

CAUTION

- Do not wash items that are covered with ash, sand, wax, lubricating grease, or paint. These materials will damage the dishwasher. Ash does not dissolve and will spread inside the dishwasher.
- Remove food remains such as bones, fruit seeds, etc. and waste such as toothpicks, paper napkins, etc. from your dishes. Food remains and waste can make noise, cause the dishwasher to malfunction, and damage your dishes and dishwasher.

Unsuitable items for the dishwasher

WARNING

Wash only items such as glass, porcelain, and cutlery which the manufacturer states is dishwasher safe. Do not wash aluminium (e.g. grease filters). The dishwasher may damage aluminium, or in extreme cases, cause a severe chemical reaction.

Do not wash the following items in the dishwasher.

- Copper, brass, tin, ivory, and aluminium items or items with adhesive
- Non-heat resistant plastics
- Craft items, antiques, valuable vases, and decorative glassware
- Pottery or glazed-ceramic items
- Wooden cutlery and crockery or items with wooden parts
- Delicate glassware or glassware containing lead crystal. Clouding may occur on the glassware after frequent washing.

NOTE

Silverware that has contacted food containing sulphur may become discoloured. Food with sulphuric content include egg yolks, onions, mayonnaise, mustard, fish, fish brine, and marinades.

Water reflector

The water reflector automatically detects obstacles inside the dishwasher that can interfere with the reflector's signal. If an obstacle is detected, the display blinks and the dishwasher chimes for several minutes. If this happens, remove the obstacle.

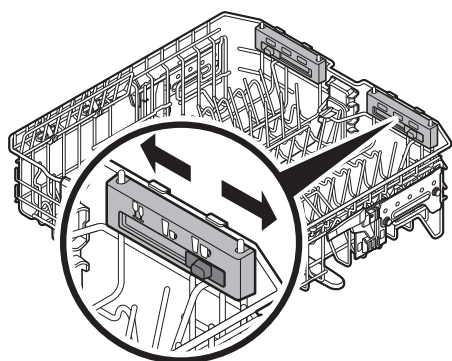
Using your dishwasher

Basic use of racks

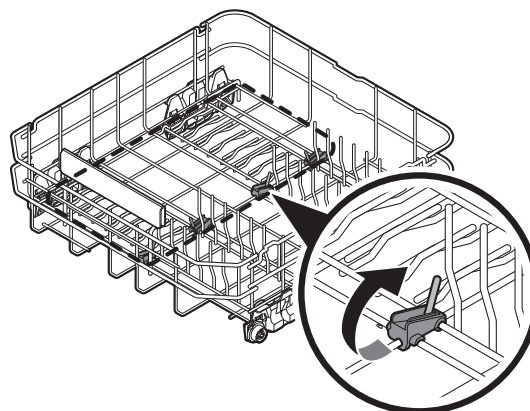
Angle of the plate supports

In the **Upper rack**, you can adjust the angle of the tines to three different positions to match the size and shape of your dishes. To adjust the tines, grasp the handle at the front of the rack, and then push it left or right. See the illustration below.

In the **Lower rack**, you can easily fold down the fold-down tines to make room for large items such as pots and pans on the Zone Booster area. Remove the rack from the dishwasher, and then fold down the tines one at a time. See the illustration below.



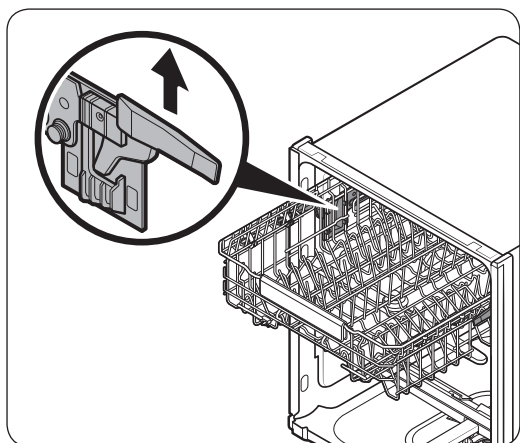
Upper rack



Lower rack

Height adjustment

You can adjust the height of the upper rack in your Samsung dishwasher so that the lower rack can accommodate larger sized dishes. Depending on where you set the upper rack height, the lower rack can accommodate plates up to 12 in. (30 cm) in diameter and the upper rack can accommodate plates up to 8 in. (20 cm) in diameter.



To raise the upper rack

Pull the upper rack upwards. The adjustable handle will latch, and the upper rack will rise.

To lower the upper rack

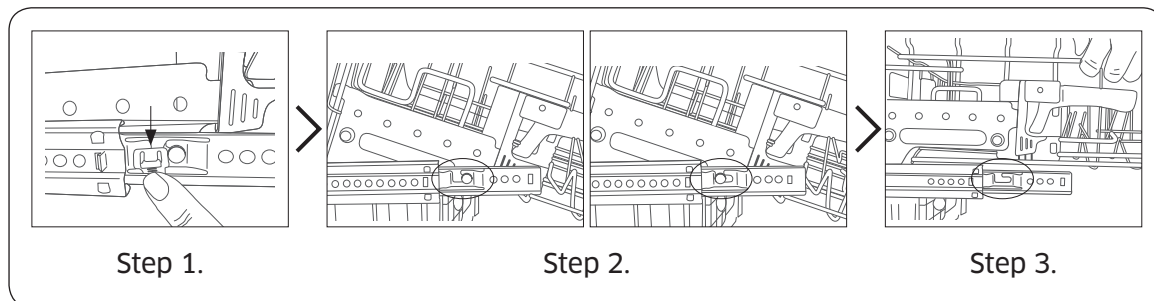
Hold both the adjustable handles located at the left and right sides of the upper rack, and then evenly press down.

⚠ CAUTION

- Adjust the height of the upper rack before loading dishes into the rack. Adjusting the rack after loading the dishes may damage the dishes.
- Make sure to hold both handles when adjusting, or the dishwasher door may not close properly.

Using your dishwasher

To remove the upper rack



To remove the upper rack from the slide rail, pull the upper rack out from the tub until it is fully extended.

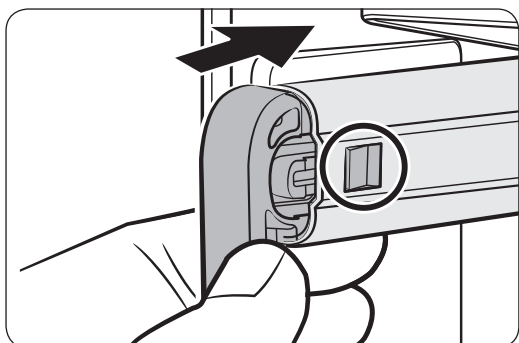
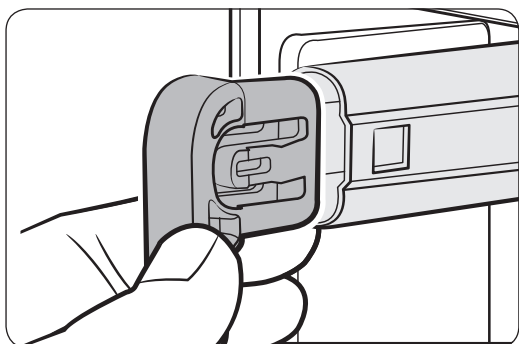
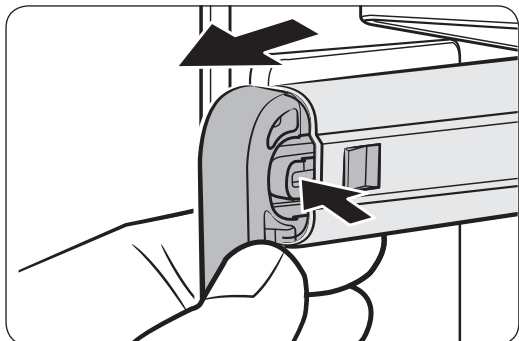
Hold down the holder rails on both sides to release the upper rack. Slide the upper rack out to the end of one holder rail, and then lift it up.

Repeat the steps above with the other holder rail.

CAUTION

- Do not operate the dishwasher without the upper rack. Otherwise, noises occur and the dishwasher does not operate properly.
- Because the upper rack is removable, insert the upper rack properly to ensure the dishwasher operates normally.
- Take care that you do not lose the holder rails during this process.

To remove the 3rd Rack



1. Put your finger on the lower area of the 3rd holder rail as shown, and then push the holder handle (see the arrow marks in this picture) to draw and remove the holder. Repeat this step on the other side.

2. When the holder is removed, remove the 3rd rack from the dishwasher.

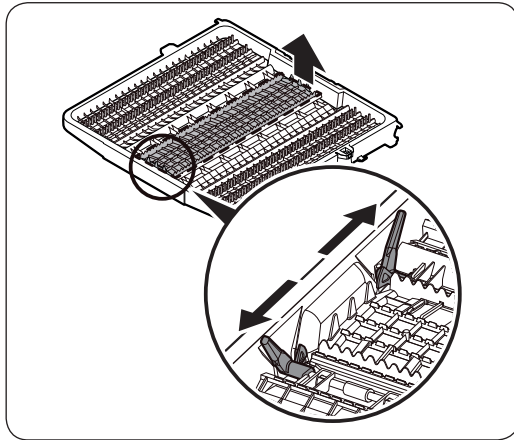
3. Reverse the order of removal to re-insert the 3rd rack.

CAUTION

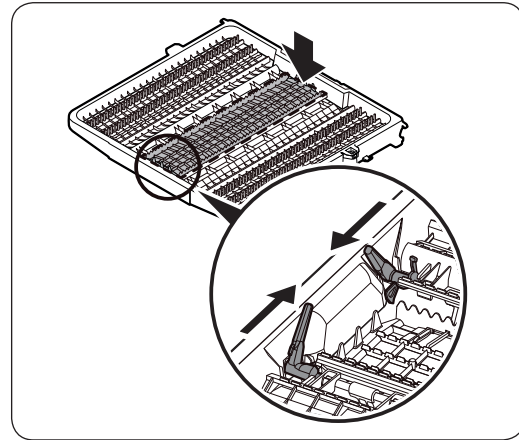
Make sure the hook-shaped part (circle-marked) of the holder faces downward when reinserting the holder into the rail.

Using your dishwasher

Flexible 3rd Rack™ adjustment



High position of Flex Deck



Low position of Flex Deck

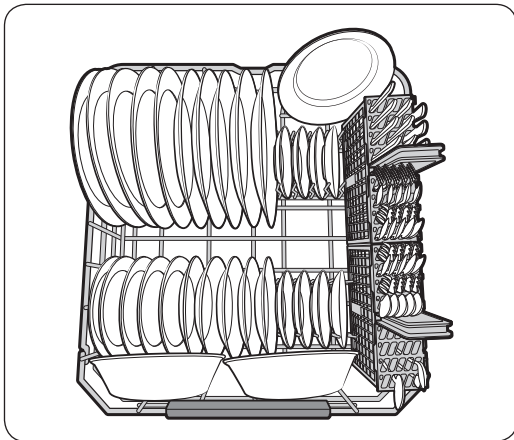
When putting spatulas, serving spoons and similar items in the Flex Deck, pull or push the parts highlighted in the figure above in the direction of the arrows. Once the Flex Deck is lowered, you can put relatively bigger cookware items in it. To better use the upper rack, remove the 3rd rack or raise it to make more room.

Loading dishes

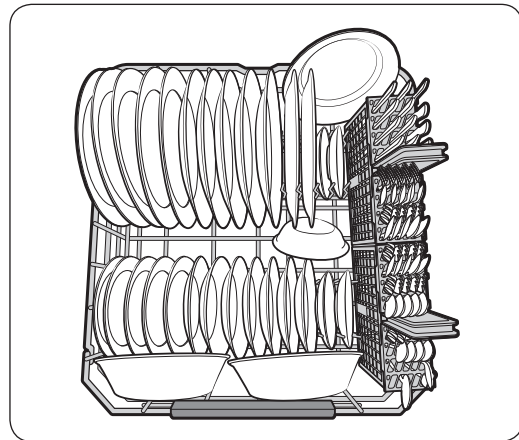
Loading the lower rack

The lower rack has been especially designed for dinner dishes, soup bowls, plates, pots, lids, casserole dishes, and plates.

Load large items such as pans and pots into the dishwasher so their open sides face downwards. We recommend loading cups, stemware, and small plates into the upper rack. See the recommended loading patterns below.



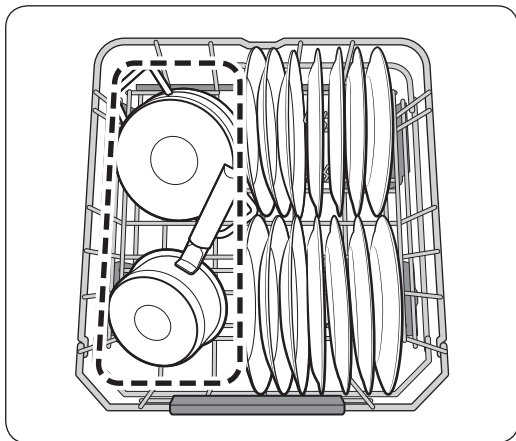
10 place setting



12 place setting

Using your dishwasher

Loading the Zone Booster areas



For more effective cleaning, load large items into the left side of the lower rack- Zone Booster areas (Red zone).

The Zone Booster function supplies more powerful water jets in the Zone Booster areas.

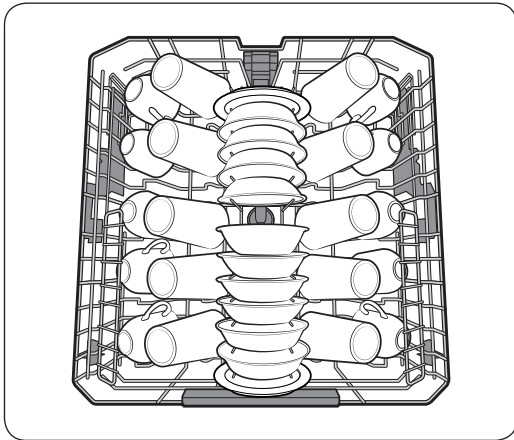
Make sure pot handles and other items do not interfere with the rotation of the nozzles or the water reflector.

Loading the upper rack

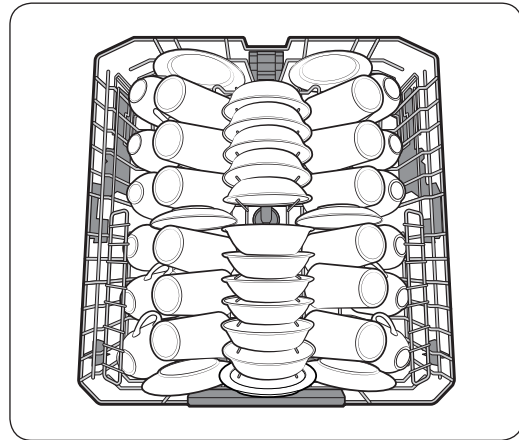
The upper rack has been designed for small plates, mugs, glasses, and plastic items marked "dishwasher safe". Load your plates into the dishwasher in two half rows, so that the front of each plate faces the back of the plate in front of it, and the open sides of the plates at the center of the dishwasher face each other. See the illustrations below.

Make sure the loaded dishes do not interfere with the rotation of the nozzle which is located at the bottom of the upper rack. (Check this by rotating the nozzle by hand.)

When loading dishes, pull the upper rack out sufficiently so you can load it without striking the counter above.

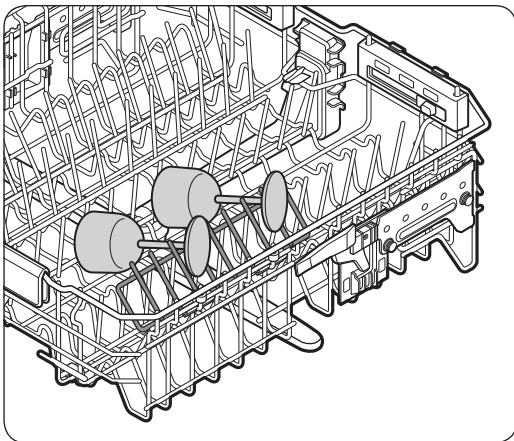


10 place setting



12 place setting

Using the glass support



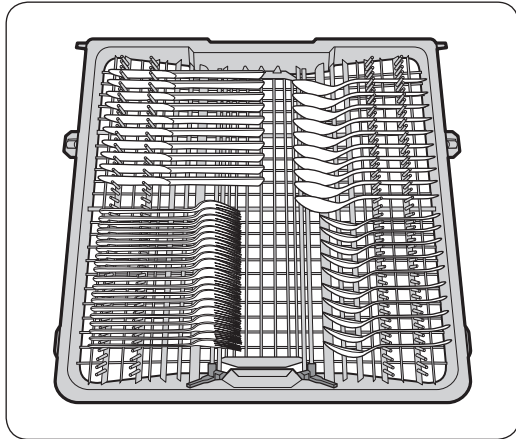
The glass support is especially suited for wine glasses. Hang wine glasses onto the pegs of the glass support. Fold the glass support back when it is not being used.

⚠ CAUTION

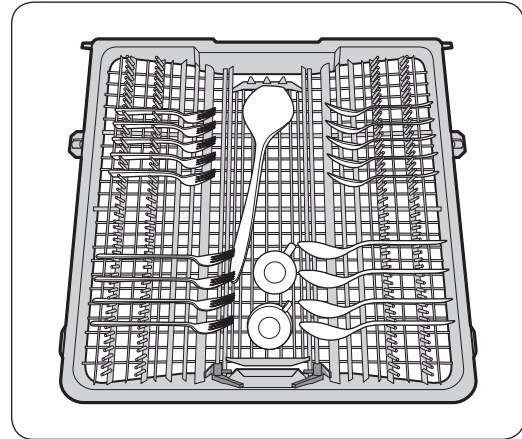
Do not adjust the level of the upper rack with the glass support propped up. This will make it impossible to adjust the upper rack.

Using your dishwasher

Loading the Flexible 3rd Rack™



Flex Deck Upper



Flex Deck Lower

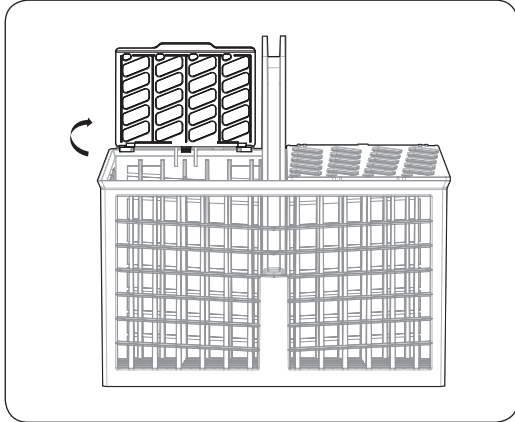
The cutlery rack is best suited for flatware and cooking or serving utensils. You can place cutlery and utensils randomly or regularly on the cutlery rack.

Heavily soiled utensils or items with baked on foods should be placed in the lower cutlery rack for the most effective cleaning.

Removing the Cutlery Rack

The entire cutlery rack can be removed if more space is needed on the upper rack for larger items.

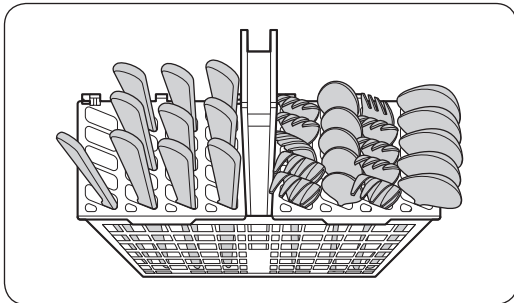
Loading the Cutlery rack



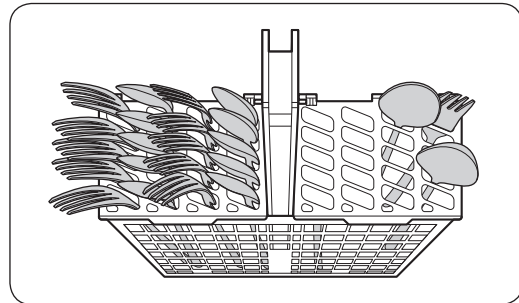
The cutlery rack consists of two compartments.

You can place each knife, spoon, or fork separately into the spoon stands in the basket's covers to prevent chipping and discoloration. See the illustrations below.

You can use the cutlery rack with the cover open. Refer to the illustration on the left.

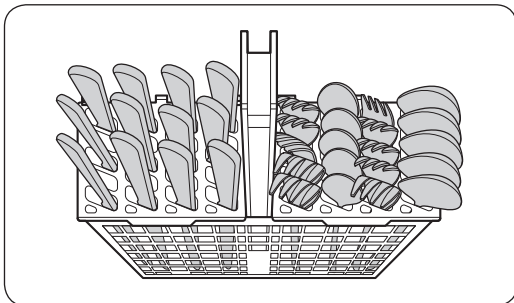


Left

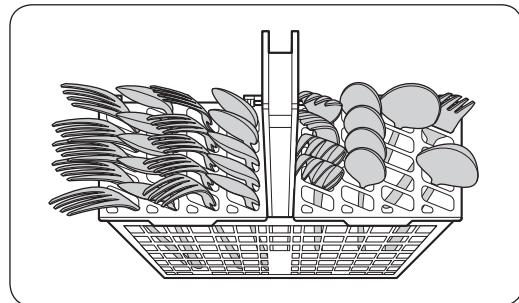


Right

10 place setting



Left

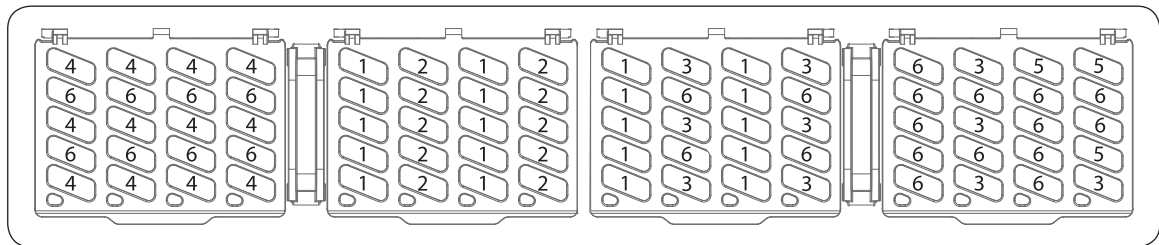


Right

12 place setting

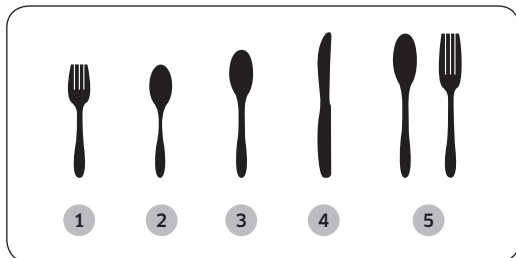
Using your dishwasher

The spoon stands as seen from above with the suggested placement of cutlery items. Match the numbers in the diagram to the numbers in the list of cutlery items below.



NOTE

DO NOT let any item extend through the bottom.



1. Forks
2. Tea spoons
3. Dinner spoons
4. Knives
5. Serving spoons and Serving forks
6. Remaining items

Detergent guidelines

All dishwasher cycles require detergent in the detergent compartment. Apply detergent as appropriate for the selected cycle to ensure best performance.

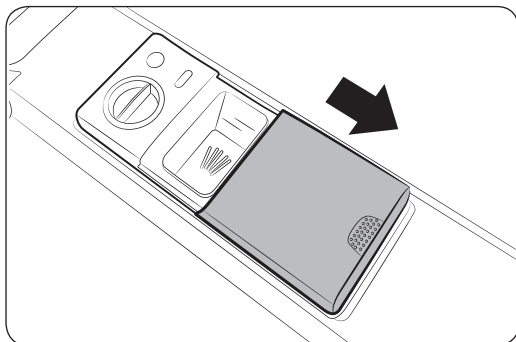
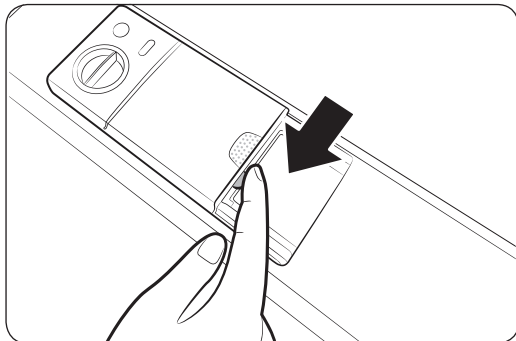
⚠ WARNING

- Do not consume dishwasher detergent. Avoid breathing in detergent fumes. Dishwasher detergent contains irritants and caustic chemicals that can induce respiratory conditions. If you have consumed dishwasher detergent or inhaled detergent fumes, seek medical attention immediately.
- Keep dishwasher detergent out of children's reach.

⚠ CAUTION

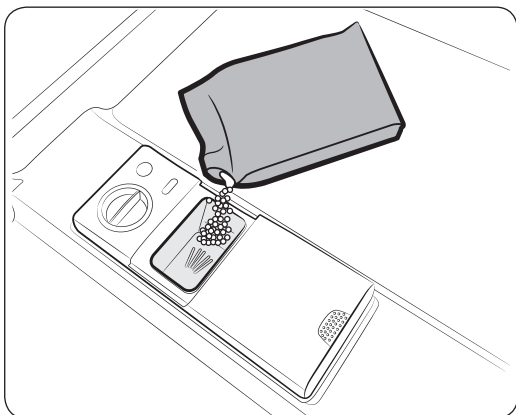
Use dishwasher detergent only. Other types of detergent produce excessive foam, which may decrease the dishwasher's performance or cause it to malfunction.

To fill the detergent dispenser



1. Gently press the dispenser flap to unlock, and then slide it open. Note that the dispenser flap opens at the end of each cycle.

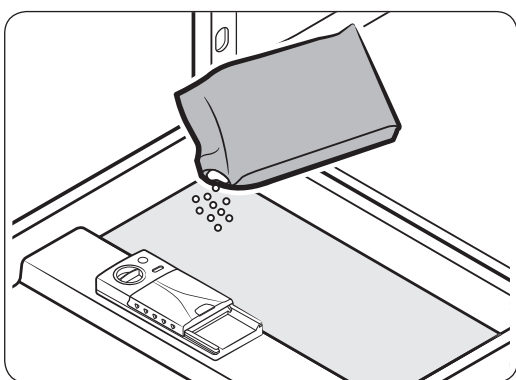
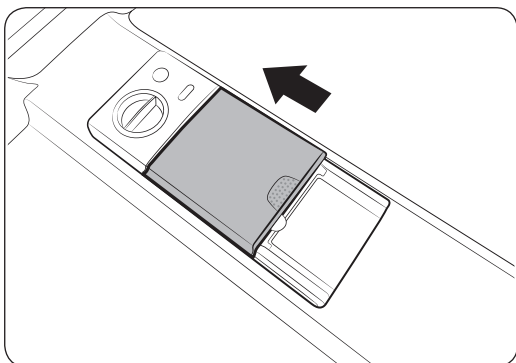
Using your dishwasher



2. Apply the recommended amount of detergent to the main compartment.
3. Close the flap, and then press down to lock.

NOTE

This dishwasher has no separate compartment for tablet detergent.



4. For better performance, pour a small amount of detergent onto the door especially for heavily soiled items. The additional detergent will activate during the pre-wash process.

The cover opens automatically to dispense the detergent during the wash.

CYCLE	AMOUNT OF DETERGENT	
	Main wash dispenser	Onto the door for pre-wash
Auto, Normal	3/4 oz (20 g)	1/3 oz (10 g)
Heavy, Express 60	1 oz (30 g)	1/2 oz (15 g)
Delicate	3/4 oz (20 g)	1/5 oz (5 g)

NOTE

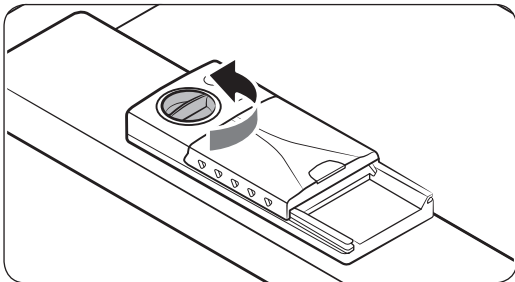
The numbers inside the dispenser refer to grams.

Rinse aid

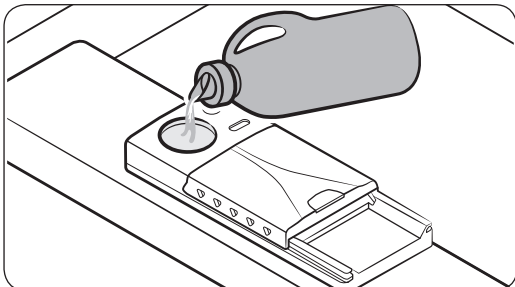
Rinse aid improves the drying performance of the dishwasher. When the Rinse Refill indicator lights up on the control panel, refill with rinse aid. Only use liquid rinse aid. Powdered rinse aid will clog the compartment opening and cause the dishwasher to malfunction.

CAUTION

- Do not apply any type of detergent to the rinse aid compartment.
- Do not over fill the compartment. Excessive rinse aid may overflow during a cycle.

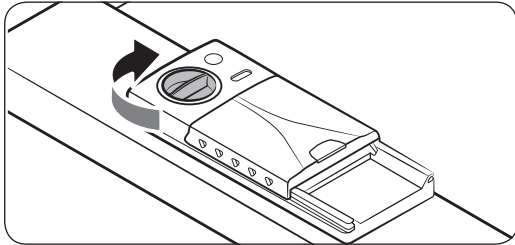


1. Turn the cap counter clockwise to remove.



2. Fill the compartment with rinse aid as specified by the rinse aid manufacturer.

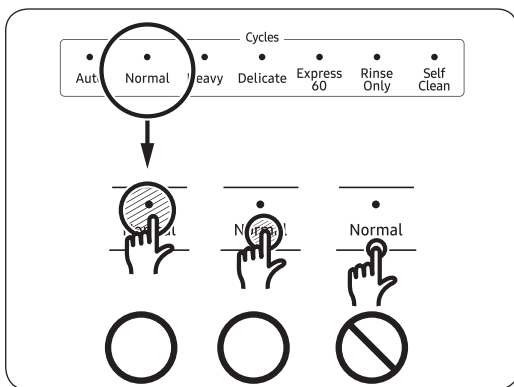
Using your dishwasher



3. Turn the rinse aid dial to select a rinse aid level between 1 and 6.
 - The higher the number, the more rinse aid the dishwasher uses.
 - To improve the drying performance, select a higher level.
 - If your dishes appear discolored after a wash, switch to a lower level.
4. Turn the cap clockwise to close.

Touchpad responsiveness

To prevent the touch-enabled controls from losing responsiveness, follow these instructions.



- Touch the center of each button with one finger.
- Do not touch more than one button at a time, except as directed.
- Clean the surface of the control panel regularly with a soft, damp cloth.

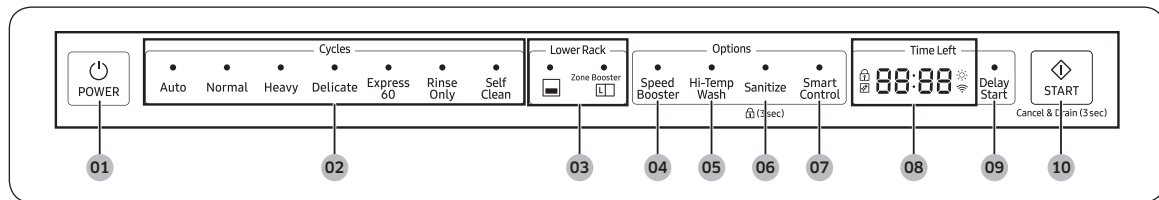
Operations

⚠ WARNING

To reduce the risk of fire, electric shock, or injury to persons, read the IMPORTANT SAFETY INSTRUCTIONS before operating this appliance.

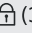

Control panel

DW80R9950 Series



01 POWER	When you press the POWER button, the Cycle On light for the most recently started cycle turns on. When the selected cycle is complete, the dishwasher powers off automatically.
02 Cycle Selector	Select the appropriate wash cycle depending on the soil level of your dishes. After you select a cycle, the Cycle On light for that cycle lights. If you want to change the cycle once it has started, press the POWER button. Then, turn on the dishwasher again and select a new cycle.
03 Lower Rack	If selected, only the lower rack nozzle is activated to reduce both the cycle time and power consumption. Use this cycle to wash a small load of dishes or glasses in the lower rack. To wash heavily soiled items, select the Zone Booster option. NOTE If you want to wash heavily soiled items such as pots and pans, select the Zone Booster option. (This option consumes slightly more water and energy.) The Zone Booster option applies intensive washing power to the left part of the lower rack. Selecting the Zone Booster option does not turn off the Upper Nozzle.
04 Speed Booster	Select this option to reduce washing time.
05 Hi-Temp Wash	Raises the main wash temperature to improve cleaning for loads containing tough, baked-on food.





Operations

<p>06 Sanitize /  (3sec) (Control Lock)</p>	<p>With the Sanitize option selected, the water temperature is increased to 163 °F (73 °C) in the final rinse cycle for high temperature sanitization.</p> <p>If you select the Sanitize option, the "Sanitize" lamp blinks when the water temperature reaches the sanitary temperature (over 155 °F (68 °C)), and then remains illuminated until the Sanitize option ends. When you open the door or press the POWER button, the "Sanitize" lamp turns off.</p> <p> NOTE</p> <p>The Sanitize feature operates in accordance with NSF/ANSI Standard 184 for Residential Dishwashers. Certified residential dishwashers are not intended for licensed food establishments. Your dishwasher is NSF Certified.</p> <p>Only the Heavy cycle with the Sanitize option has been designed to meet the requirements for soil removal and sanitization efficacy in NSF 184.</p> <p>Control Lock allows you to lock the buttons on the control panel so children cannot accidentally start the dishwasher by pressing the buttons on the panel.</p> <p>To lock and unlock the buttons on the control panel, hold the Sanitize button down for three (3) seconds when the power is On.</p>
<p>07 Smart Control</p>	<p>You can monitor and control the dishwasher remotely through a Wi-Fi connection. To connect the dishwasher to your smart phone for the first time, press and hold Smart Control. For more information, see the "SmartThings" section on page 37.</p>
<p>08 Display</p>	<p>Displays information about the current cycle including the cycle time, remaining time, Delay Start settings, and other cycle-specific information.</p> <p>If a problem occurs during operation, an information code appears with a warning sound. Refer to the information codes on pages 51 and 52.</p>

09 Delay Start	<p>Delay a cycle for up to 24 hours in one-hour increments. To increase the delay start time, press or hold the Delay Start button. The hour displayed indicates the time at which the wash will start.</p> <ul style="list-style-type: none"> - After setting the delay time, press the START button, and then close the door to start the cycle. - If you want to change the delay time once the dishwasher has started, press the Cancel button and turn off the dishwasher. Then, turn on the dishwasher again and select a new cycle with a new delay setting.
10 START	<p>To start a cycle, press the START button before closing the door.</p> <p>Cancel & Drain: To cancel a currently running cycle and drain the dishwasher, press and hold the START button for three (3) seconds.</p> <p>Once the dishwasher is reset, select a cycle and option, and then press START to restart the dishwasher.</p>

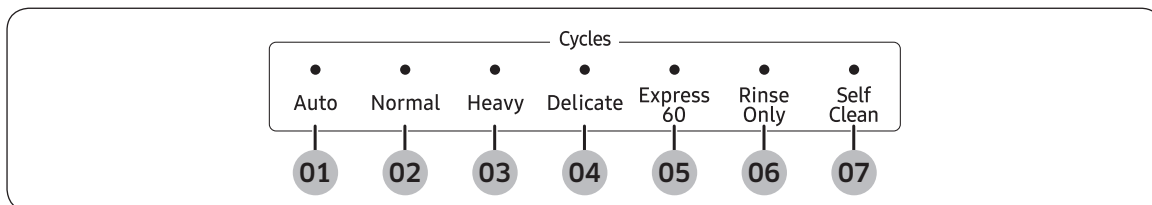
Indicators



Control Lock indicator		Lights up if Control Lock is activated, and blinks if any button except for the POWER button is pressed.
Self Clean indicator (applicable models only)		Lights up if Self Clean is activated, and blinks for 5 seconds every 20-22 cycles. The cycle counter disappears when the Self Clean cycle is complete, or the dishwasher reaches the 23 rd cycle.
Rinse Refill indicator		Lights up if the dishwasher runs out of rinse aid.
Smart Control		Lights up if SmartThings is activated.

Operations

Cycle overview



01 Auto	This cycle detects the level of soil and automatically initiates the optimal cycle after a few minutes of operation.
02 Normal	Use this cycle for normally soiled dishes. The energy-usage label is based on this cycle.
03 Heavy	Use this cycle for heavily soiled dishes.
04 Delicate	Use this cycle for soiled, fragile items such as fine glassware and crystal glass (wine glass). Do not use this cycle for other glassware because clouding or etching may occur.
05 Express 60	Use this cycle when you need to wash dishes quickly. It takes about 1 hour.
06 Rinse Only	Use for rinsing dishes, glasses, and silverware that will not be washed right away. Do not use detergent.
07 Self Clean	Use the Self Clean function to clean the dishwasher's tub. If the dishwasher needs self cleaning, the Self Clean indicator will blink for 5 seconds when you turn the power on. If you start the dishwasher when the indicator is blinking, the indicator will turn off automatically. Always run the Self Clean cycle with the dishwasher empty. Never use it as a wash cycle to clean dishes.

Simple steps to start your dishwasher

1. Open the door, and then load the dishwasher. Make sure dishes are empty.
2. If applicable, put the dishes in the lower rack. If adding the **Zone Booster** option, put the dishes in the left side of the lower rack.
3. Add detergent to the detergent dispenser. For better results, add rinse aid to the rinse aid compartment.

NOTE

You should use rinse aid for better drying performance. You can further improve drying performance by also selecting the **Sanitize** option.

4. Press **POWER**, and then select a cycle with necessary options (Lower Rack, Zone Booster, Speed Booster, Hi-Temp Wash, Sanitize).
If you change the cycle after selecting an option, the original cycle is reset.
5. Press **START**, and then close the door within 3 seconds. The dishwasher starts the cycle after draining for a few seconds.

NOTE

- To change the cycle after it has started, press and hold **START** for 3 seconds to cancel the cycle. Then, select a new cycle.
- To resume after you have opened the door to stop the dishwasher while operating, simply press **START** first, and then close the door.

Operations

Settings

You can change the sound or Auto Release™ settings to your preference. To change the settings, press the **Sanitize** and **Delay Start** buttons simultaneously for 3 seconds. Press **Sanitize** to navigate through the sub menus, and then press **Delay Start** to confirm your changes.

Sound
U1/U0

>

Auto Release™
A1/A0

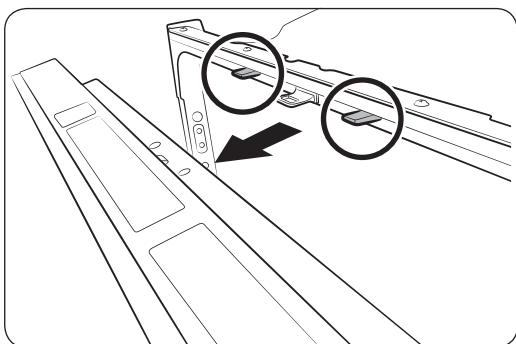
Sound

Press **Sanitize** until 'U1' or 'U0' is displayed. To mute the dishwasher, select 'U0', and then press **Delay Start**. To unmute, select 'U1', and then press **Delay Start**.

Auto Release™

The Auto Release™ Dry function, which is designed to improve drying performance, automatically opens the dishwasher's door 5 to 15 minutes before a cycle ends.

You can enable or disable Auto Release™ Dry in two ways: Using the Setting Mode or using the toggle keys. Both methods are described starting below.



Press **Sanitize** until "A1" or "A0" is displayed. Then, press **Delay Start** to enable (A1) or disable (A0) Auto Release™ Dry.

Using the Toggle Keys :

Press the **Lower + Hi-Temp Wash** button for 3 seconds to enable (A1) or disable (A0) Auto Release™ Dry.

NOTE

- Once the door opens on the Auto Release™ Dry mode, the door cannot be closed manually for the next 2 minutes.
- Disabling (A0) "Auto Release™ Dry" can affect the drying results. Enable (A1) "Auto Release™ Dry" for better drying result.
- After a cycle is complete, the door automatically opens to let steam out. This is normal and not a product malfunction.

SmartThings

Wi-Fi connection

On your smartphone, go to **Settings**, and then connect to your home Wi-Fi network.

Download

On an app market (Google Play Store, Apple App Store, Samsung Galaxy Apps), find the SmartThings app using “SmartThings” as the search term. Download and install the app on your device.

NOTE

- The SmartThings app is designed for Android 6.0 (Marshmallow) or later, iOS 10.0 or later, iPhone 6 or later, and is optimized for Samsung smartphones (Galaxy S and Galaxy Note series).
- For improved performance, the SmartThings app is subject to change without notice, or discontinued support according to the manufacturer’s policy.

Log in

You must first log into SmartThings using your Samsung account. To create a new Samsung account, follow the instructions on the app. You don’t need a separate app to create your account.

NOTE

If you have a Samsung account, use the account to log in. A registered Samsung smartphone user automatically logs in.

To register your device to SmartThings

1. Make sure your smartphone is connected to a wireless network.
2. Run **SmartThings** on your smartphone. iPhone users are required to provide the login information each time they access the app.
3. When a message of “A new device is found.”, select **Add**.
4. If no message appears, select + and then select your dishwasher in a list of devices available. If your dishwasher is not listed, select **Device Type > Specific Device Model**, and then add your dishwasher manually.
5. Follow the on screen instructions to complete the connection process for your dishwasher. Press and hold **Smart Control** for more than 5 seconds until the “AP” message appears on the display. Your dishwasher will be registered with the app.
6. When the process is complete, your dishwasher will appear in the list of devices on your SmartThings App.
7. Tap the dishwasher icon to open the dishwasher page.
8. When a network connection is established, the Wi-Fi icon lights up on your dishwasher.

Operations

Dishwasher app

Integrated control: You can monitor and control your dishwasher both at home and on the go.

- Select the dishwasher icon on SmartThings. The dishwasher page appears.
- Check the operation status or notifications related to your dishwasher, and then change options or settings if necessary.

NOTE

- This device is designed for household use only (Class B), and can be used in all residential areas.
- This device may cause wireless interference, and neither the manufacturer or the installer of this device can provide a safety measure of any kind.
- Recommended encryption methods are WPA/TKIP and WPA2/AES. Newly developed Wi-Fi protocols or unapproved Wi-Fi protocols are not supported.
- The reception sensitivity of a wireless network may be affected by surrounding wireless environments.
- If your Internet provider has registered the MAC address of your PC or the modem module for permanent use, your Samsung dishwasher may fail to connect to the Internet. If this is the case, contact your Internet provider.
- The Internet firewall may interrupt your Internet connection. If this happens, contact your Internet provider.
- If your dishwasher still fails to connect to the Internet after you have followed the instructions of your Internet provider, contact a local Samsung retailer or service center.
- To install and set up your wired or wireless router, refer to the user manual that came with your router.
- Your Samsung dishwasher supports the Wi-Fi 2.4 GHz protocols.
- Your Samsung dishwasher supports the IEEE802.11 b/g/n (2.4 GHz), Soft-AP protocols. (IEEE802.11n is recommended)
- An unapproved wired/wireless router may fail to connect to your Samsung dishwasher.
- The SmartThings app is available on third-party devices with Android OS 6.0 (Marshmallow) or higher, Samsung devices with Android OS 5.0 (Lollipop) or higher, and iOS devices with iOS 10.0 or higher (For iPhones, you must have an iPhone 6 or higher). The app is optimised for Samsung smartphones (Galaxy S and Note series).
- Some functions of the app may operate differently on third-party devices.
- The app is subject to change without notice for improved performance.

SmartThings

Category	Checkpoint	Description
Monitoring	Washing status	You can check the current cycle and its options, and the remaining cycle time.
	Smart Control	The Smart Control status is shown for the dishwasher.
	Energy monitoring	Use this to monitor the energy consumption status.
Control	Start/Pause/Cancel	Select a cycle and necessary options, and then select Start/Pause/Cancel to start an operation, to stop temporarily, or to cancel the current operation.
	My Favorite	Add frequently used cycles and options to My Favorite for later use.
	Delay Start	Set Delay Start to start the cycle at a scheduled time. (Delay up to 24 hours.)
Notification	Cycle completed	Notifies you that the current cycle is complete.
	Detergent	Notifies you if the dishwasher is out of rinse aid.
Washing Recipe	Cycle recommendation	Recommends the best cycle with optimal options for loaded dishes.
Homecare Wizard	Maintenance	The wizard features a device management service, energy monitoring, a dishwasher diary, and a usage guide.

Operations

Special features

Delay Start

You can delay the cycle starting time up to 24 hours in 1-hour increments. To increase the delay time, press **Delay Start**. The hour displayed indicates the time at which the cycle will start.

1. Open the door, and then load the dishwasher.
2. Press **Delay Start**, and then press or hold **Delay Start** to change the time in 1-hour increments.
3. Close the door, and then press **START**.

NOTE

To change the delay time once the dishwasher has started, press **POWER** and then restart the dishwasher.

Touch Controls

Touch controls allow you to operate the dishwasher easily.

- They are convenient to operate, requiring only a soft touch.
- Have a simple and stylish design.
- Are easy to clean.

NOTE

If you have children or you want to clean the Control Interface, we recommend activating the Control Lock feature to lock the control buttons.

Control Lock

To prevent children from playing with the dishwasher, Control Lock locks all button controls except for **POWER**.

- To activate Control Lock, press and hold **Sanitize** for 3 seconds. With Control Lock activated, you cannot select a cycle or option, or start an operation.
- To deactivate Control Lock, press and hold **Sanitize** again for 3 seconds.
- Control Lock remains active after the dishwasher restarts. To cancel Control Lock, you must deactivate it first.

Maintenance

Cleaning

Keep the dishwasher clean to improve performance, reduce unnecessary repairs, and lengthen its lifecycle.

Exterior

Clean spills on the surface of the dishwasher as they occur. Use a soft, damp cloth on the control panel to gently wipe away spills and dust.

⚠ CAUTION

- Do not use benzene, wax, thinner, chlorine bleach, alcohol, or other chemical substances. These materials may discolour the surface of the dishwasher and cause stains.
- The dishwasher has electric parts inside. Do not sprinkle water directly onto the dishwasher. Protect electrical components from coming in contact with water.
- For a stainless-steel door panel, clean using a stainless steel cleaner for home appliances and a clean, soft cloth.

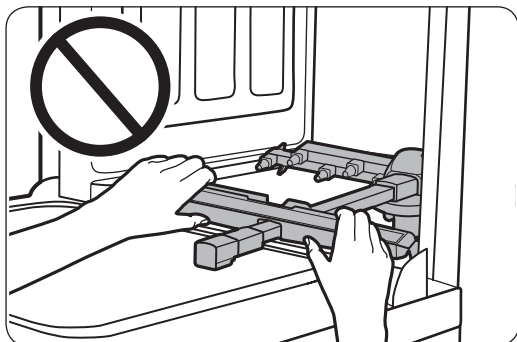
Interior

Clean the interior of the dishwasher on a regular basis to remove any dirt or food particles. Wipe inside the dishwasher and inside the door with a wet dishcloth. To maintain optimum cleanliness, we recommend running the Self Clean cycle periodically with the dishwasher empty.

To keep the cutlery pad clean, turn it over after each use. To remove white spots and odors from the cutlery pad, run the Self Clean cycle with the dishwasher empty and no detergent until the cutlery pad flushes. Then, stop the cycle and put an 8-ounce cup of white vinegar into the lower basket. Close the door, and then resume the cycle.

⚠ CAUTION

Do not remove the front seal (the long rubber seal enclosing the opening of the dishwasher). The seal keeps the inner side of the dishwasher sealed.



Use a damp cloth to remove lime scale or grease deposits inside the dishwasher. Alternatively, apply some detergent, and then run an empty cycle using the highest rinse temperature.

⚠ CAUTION

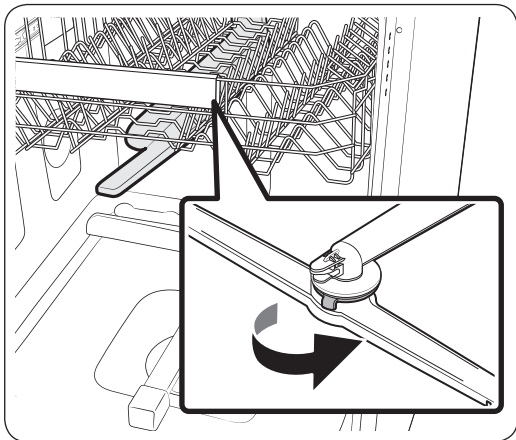
To avoid damaging the motor, use caution when manually moving the water reflector.

Maintenance

Nozzles

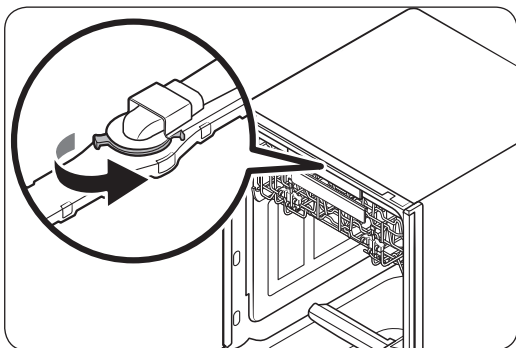
To prevent the nozzles from being clogged, or if the nozzles are clogged, remove and clean each nozzle. Use caution when removing the nozzles as they may break.

Upper nozzle



1. Open the door, and then pull out the upper rack to reveal the upper nozzle.
2. Turn counter clockwise to remove the nozzle cap, and then remove the nozzle.
3. Unclog and clean the nozzle.
4. Reinsert the nozzle, and then tighten the cap clockwise.
5. Rotate the nozzle by hand to make sure the nozzle is engaged correctly.

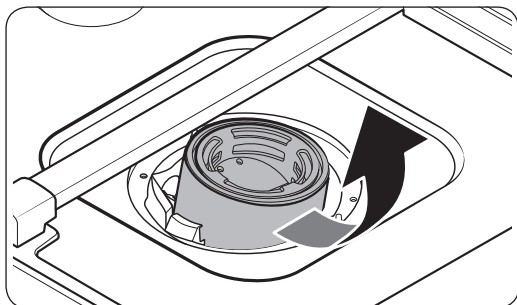
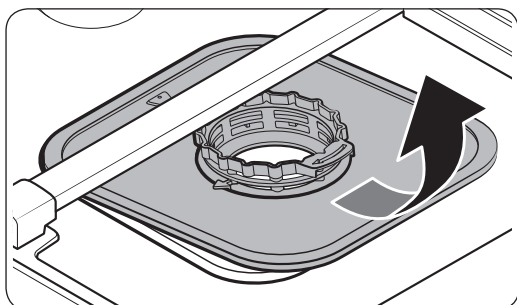
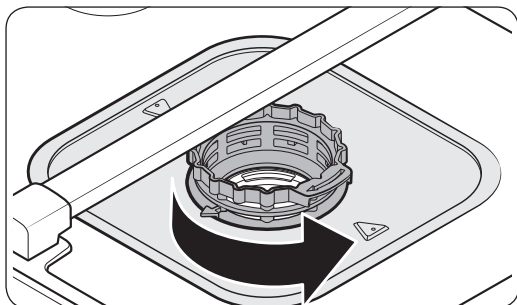
Top nozzle



1. Check whether the nozzle holes are clogged by food particles.
2. If cleaning is needed, remove the top nozzle.
3. To remove the top nozzle, pull out the upper rack first, unfasten the nozzle cap by turning it counterclockwise, and then remove the nozzle.
4. Clean the nozzle, re-insert it, and then fasten the nozzle cap to the nozzle by turning the cap clockwise.
5. Check whether the nozzle is engaged correctly by rotating it by hand.

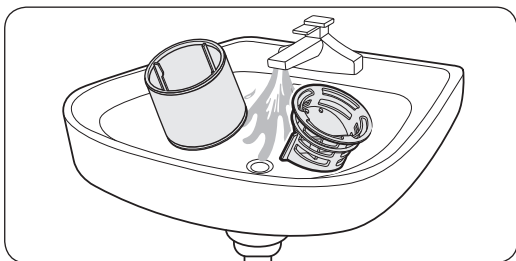
Filter

We recommend cleaning the filter every month.

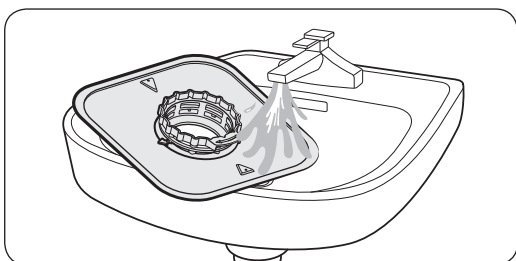


1. Open the door, and then remove the lower rack.
2. Turn the filter handle counterclockwise to unlock the filter cover.
3. Remove the filter cover, and then the cylindrical micro filter underneath.

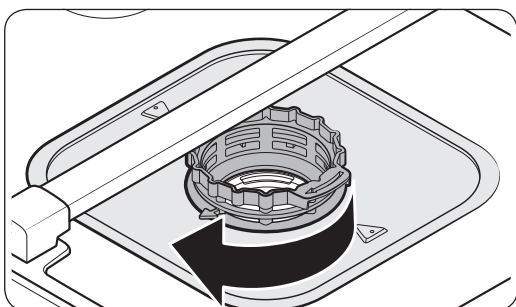
Maintenance



4. Remove any dirt and impurities from the micro filter and the filter cover.
5. Rinse them with running water, and then dry well.



6. Reinsert the filter, and then the filter cover.
7. Turn the filter handle clockwise to lock.



⚠ CAUTION

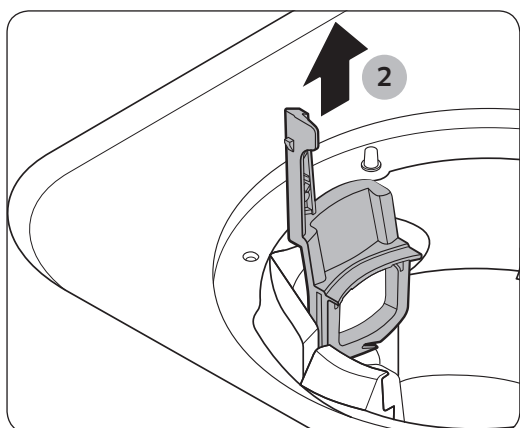
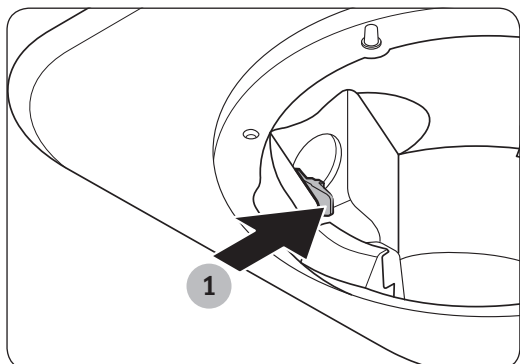
Make sure the filter cover is closed properly. A loose cover can reduce the filtering performance.

Long-term care

If you will not use the dishwasher for an extended period of time, first drain the unit completely, and then disconnect the water hose. Shut off the water supply valve and the circuit breaker. Water remaining in the hoses or the internal components can damage the dishwasher.

Cleaning the drain pump

If the dishwasher fails to drain because the drain pump is clogged with foreign matter or there is an abnormal noise coming from the drain pump, you must unclog and clean the drain pump as instructed below.



1. Remove the lower rack.
2. See the "Filter" section to remove the cylindrical micro filter.
3. Remove any moisture from the filter using a sponge.
4. Remove the drain-pump cover by pushing its handle in the direction of the arrow (1), and then pulling up (2).
5. Check the impeller to see if it's in good condition. Then, remove any foreign matter from the pump.
6. Reinsert the drain-pump cover and then press down until you hear a click.

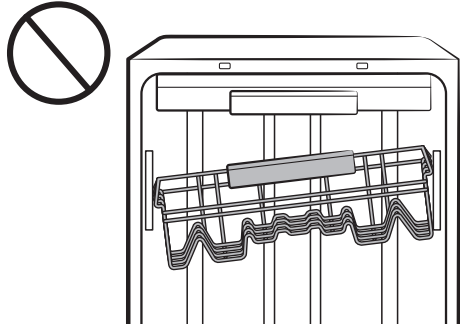
Storing your dishwasher

If you need to store your dishwasher for an extended period of time, first drain and disconnect it. If you leave water in the hoses and internal components, you can damage the dishwasher.

After draining and disconnecting the dishwasher, be sure to turn off the water supply valve and circuit breaker.

Troubleshooting

Check these solutions if your dishwasher...

Problem	Possible cause	Solution
Will not start.	The door is not closed completely.	<ul style="list-style-type: none"> Check if the door is latched and closed completely. Check whether the Upper Rack is properly joined to the Duct Nozzle. Also, check if the Upper Rack is crooked or unbalanced. 
	The START button was not pressed.	<ul style="list-style-type: none"> See the information code that appears on the display.
	Doesn't operate at all.	<ul style="list-style-type: none"> Make sure the power cable is connected properly.
	The water supply does not work.	<ul style="list-style-type: none"> Check if the water supply valve is open.
	The Control Panel is locked.	<ul style="list-style-type: none"> Unlock the Control Lock, (See page 32.)
	A circuit breaker is open.	<ul style="list-style-type: none"> Reset the circuit breaker.
An operation or cycle is taking too long.	The dishwasher is connected to a cold water supply.	<ul style="list-style-type: none"> Check if the water supply line is connected to a cold water supply. To work properly, the dishwasher must be connected to a hot water supply. (If connected to a cold water supply, additional time is required to heat the cold water.)

Problem	Possible cause	Solution
There are food particles remaining on dishes. (Not cleaning properly.)	The cycle selected was unsuitable.	<ul style="list-style-type: none"> Select a cycle according to the number and soil level of the dishes, as directed in this manual.
	The water temperature is low.	<ul style="list-style-type: none"> Connect the water supply line to a hot water supply. For best performance, the temperature of the supplied water should be 120 °F (49 °C).
	Low water pressure.	<ul style="list-style-type: none"> The water pressure should be between 20 and 120 psi (140-830 kPa).
	The water is too hard.	<ul style="list-style-type: none"> Use a commercial dishwasher cleaner. Use high-quality, fresh detergent with rinse aid.
	Dishwasher detergent was not used.	<ul style="list-style-type: none"> Use automatic dishwasher detergent. We recommend a powder type or multi-function tablet dishwasher detergent.
	Detergent remains in the dispenser.	<ul style="list-style-type: none"> Make sure large items such as cookie sheets, cutting boards, or containers, etc. are not blocking the detergent dispenser and preventing it from opening properly. Rearrange the dishes so they do not interfere with detergent dispenser operation.

Troubleshooting

Problem	Possible cause	Solution
There are food particles remaining on dishes. (Not cleaning properly.)	There is no rinse aid.	<ul style="list-style-type: none"> • Check the dispenser and add rinse aid. • Use liquid type rinse aid.
	A nozzle is clogged.	<ul style="list-style-type: none"> • Clean the nozzle. See page 42.
	The dishes are improperly loaded. Too many dishes have been loaded.	<ul style="list-style-type: none"> • Rearrange the dishes so they do not interfere with nozzle rotation and detergent dispenser operation. • Load only an appropriate number of dishes. • Load your dishes as recommended. (See page 21.) • Load the heavily soiled items onto the Zone Booster area. (See page 22)
	The filters are clogged or not correctly fastened. (Food soils remain on the filter.)	<ul style="list-style-type: none"> • Scrape food from dishes prior to loading. (Do not pre-rinse.) • Clean the filter. (See page 43.) • Make sure the filters are correctly fastened.
Leaves glasses with a light film.	The water supplied is soft and too much detergent was used.	<ul style="list-style-type: none"> • Underload the dishwasher and use a rinse aid to minimize this.
	Aluminum dishes were included in the wash load.	<ul style="list-style-type: none"> • Remove the marks on the dishes using a low sensitivity cleaner.
Leaves a yellow or brown film on the inside of the dishwasher.	This is caused by coffee and tea soils.	<ul style="list-style-type: none"> • Remove the soils using a spot cleaner. • Use a cycle with a higher temperature.

Problem	Possible cause	Solution
Does not dry dishes well.	There is no rinse aid in the dispenser or not enough rinse aid was used.	<ul style="list-style-type: none"> • Check the dispenser and add rinse aid. • Use a liquid type rinse aid. • Check the rinse aid settings.
	The temperature of the water is low when the dishwasher is running.	<ul style="list-style-type: none"> • Connect the water supply line to a hot water supply. • Use rinse aid with the Sanitize option.
	Too many dishes have been loaded.	<ul style="list-style-type: none"> • Proper loading of items can affect drying. • Load your dishes as recommended. (See page 21.)
	Glasses and cups with concave bottoms hold water. This water may spill onto other items when you unload.	<ul style="list-style-type: none"> • After finishing the cycle, empty the lower rack first and then the upper rack. This will prevent water dripping from the upper rack onto the dishes in the lower rack.
	Auto Release™ is turned off.	<ul style="list-style-type: none"> • Turn Auto Release™ Dry on. Press the Lower + Hi-Temp Wash button for 3 seconds to access the Auto Release™ menu. Select "A1" to activate Auto Release™ Dry.
	Multiple detergent tablets were used without selecting the Sanitize option.	<ul style="list-style-type: none"> • Select the Sanitize option or use rinse aid.

Troubleshooting

Problem	Possible cause	Solution
Has a bad odor.	Water was left over from an incomplete cycle.	<ul style="list-style-type: none"> Clean the dishwasher by running the Self Clean cycle with the dishwasher empty and no detergent.
	The Drain Hose is obstructed.	<ul style="list-style-type: none"> Contact a qualified service technician to remove any obstruction from the drain hose.
	The dishwasher is not used daily or soiled dishes are left in unit too long.	<ul style="list-style-type: none"> With the dishwasher empty and no detergent, place a glass with 8 ounces of vinegar upright into the lower rack, and then run a Self Clean cycle.
Is too noisy.	Sound is generated when the dispenser cover is open and the drain pump is operating in an early stage.	<ul style="list-style-type: none"> This is normal operation.
	The dishwasher is not level.	<ul style="list-style-type: none"> Ensure the dishwasher is level.
	Foreign material (a screw, a plastic piece) is in the pump chamber.	<ul style="list-style-type: none"> Contact a qualified service technician to remove foreign material from the pump chamber.
	There is a 'chopping' sound because a nozzle is bumping against the dishes.	<ul style="list-style-type: none"> Rearrange the dishes.
Does not have a smoothly rotating nozzle.	Nozzle holes are clogged with food particles.	<ul style="list-style-type: none"> Clean the nozzle holes. (See page 42.)
	The nozzle is blocked by a dish or pot and cannot rotate.	<ul style="list-style-type: none"> After placing the dishes into the racks, rotate the nozzles by hand to check whether any of the dishes interfere with them.
Water won't pump out of the dishwasher.	The drain is clogged.	<ul style="list-style-type: none"> Clean the drain pump by removing the drain-pump cover. (See page 45.)
Has a bent upper rack after dishes are loaded.	The dishes are not loaded properly.	<ul style="list-style-type: none"> Load your dishes as recommended. (See page 21.)

Problem	Possible cause	Solution
Cannot close the door.	Auto Release™ Dry mode is in operation.	<ul style="list-style-type: none"> Once the door opens in the Auto Release™ Dry mode, the door cannot be closed manually for the next 2 minutes. You may close the door after 2 minutes.
Cannot start Smart Control.	The device registration is not finished.	<ul style="list-style-type: none"> Finish the device registration. (See page 37.)
	The door is not closed within 3 seconds of pressing Smart control .	<ul style="list-style-type: none"> Push the door closed firmly within 3 seconds of pressing Smart Control.

Information codes

The Control Panel displays information codes to help you understand what is occurring with your dishwasher.

Code	Action
LC	<p>Leakage check.</p> <ul style="list-style-type: none"> If a water supply valve connection leak occurs, close the water supply valve and go to your house circuit breaker panel, set the dishwasher's circuit breaker switch to off, and then contact the installer to fix. If the problem continues, contact an authorized Samsung service center.
4C	<p>Water supply check.</p> <ul style="list-style-type: none"> Check if the water supply valve is closed, the water supply is suspended, or the water inlet valve or line is frozen or clogged by foreign particles. If the problem continues, close the water supply valve, and then contact an authorized Samsung service center.
5C	<p>Drain check.</p> <ul style="list-style-type: none"> After closing the water supply valve, check whether the drain hose is clogged or folded. Also, check whether the drain hole inside the sump is clogged. If the problem continues, contact an authorized Samsung service center.
HC	<p>High temperature heating check.</p> <ul style="list-style-type: none"> Functional check. With the dishwasher empty, add detergent, and then run a cycle. If the problem continues, go to your house circuit breaker panel, set the dishwasher's circuit breaker switch to off, and then contact an authorized Samsung service center.

Troubleshooting

Code	Action
3C	Pump operation check. <ul style="list-style-type: none">Functional check. Turn off the dishwasher and try to start it again. If the problem continues, contact an authorized Samsung service center.
PC	Zone wash function check. <ul style="list-style-type: none">Functional check. Turn off the dishwasher and try to start it again. If the problem continues, contact an authorized Samsung service center.
AP	Connect with smart phone. <ul style="list-style-type: none">When the control panel displays AP, press and hold Smart Control on the control panel to connect your dishwasher with your smart phone.When you select Smart Control, AP blinks for 3 seconds.When you go to the WiFi settings for connectivity, the control panel displays AP.

For any codes not listed above, call 1-800-SAMSUNG (726-7864).

Cycle chart

Cycle		Auto	Normal	Heavy
Cycle sequence		Prewash ▶ Mainwash ▶ Rinse ▶ Hot Rinse ▶ Dry ▶ End	Prewash ▶ Mainwash ▶ Rinse ▶ Hot Rinse ▶ Dry ▶ End	Prewash ▶ Mainwash ▶ Rinse ▶ Hot Rinse ▶ Dry ▶ End
Temp [°F (°C)]	Main wash	122-140 (50-60)	113-144 (45-62)	149 (65)
	Hot Rinse *Sanitize 163 °F (73 °C)	145-154 (63-68)	129-149 (54-65)	154 (68)
Water consumption [gal (ℓ)]		4.1-5.3 (15.6-19.9)	2.5-5.7 (9.6-21.4)	5.6 (21.3)
Cycle time (min)		110-136	130-148	155
Available Options	Lower Rack	0	0	0
	Speed Booster	0	0	0
	Zone Booster	0	0	0
	Hi-Temp Wash	0	0	0
	Sanitize	0	0	0
	Delay Start	0	0	0

Cycle chart

Cycle		Delicate	Express 60	Rinse Only
Cycle sequence		Prewash ▶ Mainwash ▶ Rinse ▶ Hot Rinse ▶ Dry ▶ End	Mainwash ▶ Rinse ▶ Hot Rinse ▶ Dry ▶ End	Rinse ▶ End
Temp [°F (°C)]	Main wash	122 (50)	126 (52)	
	Hot Rinse *Sanitize 163 °F (73 °C)	149 (65)	140 (60)	104 (40)
Water consumption [gal (ℓ)]		4.5 (17.0)	2.9 (11.1)	1.1 (4.1)
Cycle time (min)		112	60	14
Available Options	Lower Rack	0	0	0
	Speed Booster	0	X	X
	Zone Booster	X	0	X
	Hi-Temp Wash	X	0	X
	Sanitize	X	0	X
	Delay Start	0	0	0

- When you select the **Auto** or **Normal** cycle, running the **Prewash** and **Rinse** cycles depends on the soil level of the load.
- The water consumption and wash time varies depending on the steps or options you add, and on the pressure and temperature of the supplied water.
- When the Rinse Aid is empty, wash time and Last Rinse temperature can increase a little.

Appendix

Helping the environment

- Your dishwasher is manufactured from recyclable materials. If you decide to dispose of it, please observe local waste disposal regulations. Cut off the power cable so that the appliance cannot be connected to a power source.
- Remove the door so that animals and small children cannot get trapped inside the appliance.
- Do not exceed the detergent quantities recommended in the detergent manufacturers' instructions.

Specifications

MODEL	DW80R9950UG / DW80R9950US / DW80R9950UT	
Type	Built-in Dishwasher	
Power	120 V / 60 Hz AC only, 15 A circuit breaker	
Wash capacity	15 place setting	
Used water pressure	20-120 psi (140-830 kPa)	
Rated power usage	Wash Motor	60-100 W
	Heater	1100 W
Dimensions (Width × Depth × Height)	23 $\frac{7}{8}$ x 25 x 33 $\frac{7}{8}$ in. (605 x 636 x 860 mm)	
Weight (Unpacked)	90 lb (43 kg) [DW80R9950UG / DW80R9950US / DW80R9950UT]	

Warranty (U.S.A)

SAMSUNG DISHWASHER

LIMITED WARRANTY TO ORIGINAL PURCHASER WITH PROOF OF PURCHASE

This SAMSUNG brand product, as supplied and distributed by SAMSUNG ELECTRONICS AMERICA, INC. (SAMSUNG) and delivered new, in the original carton to the original consumer purchaser, is warranted by SAMSUNG against manufacturing defects in materials or workmanship for the limited warranty period, starting from the date of original purchase, of:

One (1) year parts and labor

Five (5) years Linear Motion Parts*, Printed Circuit Board, Racking and Stainless Door Liner & Tub for leakage (Parts Only)

*Linear Motion Parts: Belt operating AC motor (Motor Geared), Belt V-Timing, Rail, Holder Rail (Front Up, Front Low)

This limited warranty is valid only on products purchased and used in the United States that have been installed, operated, and maintained according to the instructions attached to or furnished with the product. To receive warranty service, the purchaser must contact SAMSUNG at the address or phone number provided below for problem determination and service procedures. Warranty service can only be performed by a SAMSUNG authorized service center. The original dated bill of sale must be presented upon request as proof of purchase to SAMSUNG or SAMSUNG's authorized service center to receive warranty service.

SAMSUNG will provide in-home service within the contiguous United States during the warranty period at no charge, subject to availability of SAMSUNG authorized servicers within the customer's geographic area. If in-home service is not available, SAMSUNG may elect, at its option, to provide transportation of the product to and from an authorized service center. If the product is located in an area where service by a SAMSUNG authorized servicer is not available, you may be responsible for a trip charge or required to bring the product to a SAMSUNG authorized service center for service.

To receive in-home service, product must be unobstructed and accessible to the service agent.

During the applicable warranty period, a product will be repaired, replaced, or the purchase price refunded, at the sole option of SAMSUNG. SAMSUNG may use new or reconditioned parts in repairing a product, or replace the product with a new or reconditioned product. Replacement parts and products are warranted for the remaining portion of the original product's warranty or ninety (90) days, whichever is longer. All replaced parts and products are the property of SAMSUNG and you must return them to SAMSUNG.

This limited warranty covers manufacturing defects in materials or workmanship encountered in normal household, noncommercial use of this product and shall not cover the following: damage that occurs in shipment, delivery, installation, and uses for which this product was not intended; damage caused by unauthorized modification or alteration of the product; product where the original factory serial numbers have been removed, defaced, changed in any way, or cannot be readily determined; cosmetic damage including scratches, dents, chips, and other damage to the product's finishes; damage caused by abuse, misuse, pest infestations, accident, fire, floods, or other acts of nature or God; damage caused by use of equipment, utilities, services, parts, supplies, accessories, applications, installations, repairs, external wiring or connectors not supplied or authorized by SAMSUNG; damage caused by incorrect electrical line current, voltage, fluctuations and surges; damage caused by failure to operate and maintain the product according to instructions; in-home instruction on how to use your product; and service to correct installation not in accordance with electrical or plumbing codes or correction of household electrical or plumbing (i.e., house wiring, fuses, or water inlet hoses).

The cost of repair or replacement under these excluded circumstances shall be the customer's responsibility.

Visits by an authorized servicer to explain product functions, maintenance or installation are not covered by this limited warranty. Please contact SAMSUNG at the number below for assistance with any of these issues.

EXCLUSION OF IMPLIED WARRANTIES

IMPLIED WARRANTIES, INCLUDING THE IMPLIED WARRANTIES OF MERCHANTABILITY OR FITNESS FOR A PARTICULAR PURPOSE, ARE LIMITED TO ONE YEAR OR THE SHORTEST PERIOD ALLOWED BY LAW. Some states do not allow limitations on how long an implied warranty lasts, so the above limitations or exclusions may not apply to you. This warranty gives you specific rights, and you may also have other rights, which vary from state to state.

Warranty (U.S.A)

LIMITATION OF REMEDIES

YOUR SOLE AND EXCLUSIVE REMEDY IS PRODUCT REPAIR, PRODUCT REPLACEMENT, OR REFUND OF THE PURCHASE PRICE AT SAMSUNG'S OPTION, AS PROVIDED IN THIS LIMITED WARRANTY. SAMSUNG SHALL NOT BE LIABLE FOR SPECIAL, INCIDENTAL OR CONSEQUENTIAL DAMAGES, INCLUDING BUT NOT LIMITED TO TIME WAY FROM WORK, HOTELS AND/OR RESTAURANT MEALS, REMODELING EXPENSES, LOSS OF REVENUE OR PROFITS, FAILURE TO REALIZE SAVINGS OR OTHER BENEFITS REGARDLESS OF THE LEGAL THEORY ON WHICH THE CLAIM IS BASED, AND EVEN IF SAMSUNG HAS BEEN ADVISED OF THE POSSIBILITY OF SUCH DAMAGES. Some states do not allow exclusion or limitation of incidental or consequential damages, so the above limitations or exclusions may not apply to you. This warranty gives you specific rights, and you may also have other rights, which vary from state to state.

SAMSUNG does not warrant uninterrupted or error-free operation of the product. No warranty or guarantee given by any other person, firm, or corporation with respect to this product shall be binding on SAMSUNG.

To obtain warranty service, please contact SAMSUNG at:

In USA

Samsung Electronics America, Inc.

85 Challenger Road

Ridgefield Park, NJ 07660

1-800-SAMSUNG (726-7864)

www.samsung.com/us/support

Memo



Scan the QR code* or visit
www.samsung.com/spsn
 to view our helpful
 How-to Videos and Live Shows

*Requires reader to be installed on your smartphone

bit.ly/samsungdishwashers

QUESTIONS OR COMMENTS?

COUNTRY	CALL	OR VISIT US ONLINE AT
U.S.A	1-800-SAMSUNG (726-7864) 1-844-SAM-PAYS (726-7297)	www.samsung.com/us/support
CANADA	1-800-SAMSUNG (726-7864) 1-844-SAM-PAYS (726-7297)	www.samsung.com/ca/support (English) www.samsung.com/ca_fr/support (French)



DD68-00209B-00

Lave-vaisselle

Manuel d'utilisation

Série DW80R9950



SAMSUNG

Table des matières

Consignes de sécurité	4
Ce que vous devez savoir sur les consignes de sécurité	4
Symboles de sécurité importants	4
Avant d'utiliser votre lave-vaisselle	7
Avant de commencer	12
Déballage du lave-vaisselle	12
Contrôle du contenu	13
Objets non adaptés au lave-vaisselle	15
Réflecteur d'eau	15
Utilisation du lave-vaisselle	16
Utilisation de base des paniers	16
Recommandations relatives au produit de lavage	27
Sensibilité du pavé tactile	30
Opérations	31
Tableau de commande	31
Présentation des programmes	34
Étapes simples pour démarrer votre lave-vaisselle	35
Réglages	36
SmartThings	37
Fonctions spéciales	40
Entretien	41
Nettoyage	41
Entretien sur le long terme	45
Nettoyage de la pompe de vidange	46
Entreposage de votre lave-vaisselle	46

Dépannage	47
Consultez ces solutions si vous rencontrez l'un des problèmes suivants avec votre lave-vaisselle.	47
Codes d'information	52
Tableau des programmes	54
Annexe	56
Protection de l'environnement	56
Caractéristiques techniques	56
Garantie (États-Unis)	57



Consignes de sécurité

Félicitations pour l'acquisition de votre nouveau lave-vaisselle Samsung. Ce manuel contient des informations importantes concernant l'installation, l'utilisation et l'entretien de votre appareil. Veuillez le lire attentivement afin de profiter pleinement des nombreux avantages et fonctions qu'offre votre lave-vaisselle.

Ce que vous devez savoir sur les consignes de sécurité

Les avertissements et les consignes de sécurité importantes contenus dans ce manuel ne sont pas exhaustifs. Il est de votre responsabilité de faire appel à votre bon sens et de faire preuve de prudence et de minutie lors de l'installation, de l'entretien et de l'utilisation du lave-vaisselle.

Symboles de sécurité importants

Signification des icônes et des symboles utilisés dans ce manuel :

AVERTISSEMENT

Risques ou manipulations dangereuses susceptibles d'entraîner **des blessures graves, voire mortelles**. Afin de réduire les risques d'incendie, d'explosion, d'électrocution ou de blessures lors de l'utilisation du lave-vaisselle, vous devez respecter ces règles de sécurité de base :

ATTENTION

Les situations ou manipulations dangereuses pouvant entraîner des **blessures ou des dommages matériels mineurs**.

REMARQUE

Ces symboles d'avertissement visent à éviter que vous ou quelqu'un d'autre ne se blesse. Veuillez vous y conformer scrupuleusement.

Lorsque vous aurez terminé de lire ce manuel, conservez-le dans un endroit sûr afin de pouvoir le consulter ultérieurement.

CONSERVEZ CES INSTRUCTIONS



Avertissement de la Proposition 65 de la Californie

 **AVERTISSEMENT** : Cancer et d'effets nocifs sur la reproduction - www.P65Warnings.ca.gov

AVERTISSEMENT

Lorsque vous utilisez le lave-vaisselle, respectez les consignes de base suivantes :

1. Lisez toutes les consignes de sécurité avant d'utiliser le lave-vaisselle.
2. Utilisez le lave-vaisselle uniquement pour l'utilisation prévue.
3. Utilisez uniquement des produits de lavage et des produits mouillants spécialement conçus pour lave-vaisselle et maintenez-les hors de portée des enfants.
4. Lors du chargement d'objets à laver :
 - positionnez les objets tranchants de manière à ce qu'ils ne risquent pas d'endommager le joint de la porte et
 - chargez les couteaux tranchants avec le manche vers le haut afin de réduire le risque de coupures.
5. Ne lavez pas d'objets en plastique à moins qu'ils ne portent la mention « Lavable au lave-vaisselle » (ou équivalent). Pour les objets en plastique dépourvus de cette mention, consultez les recommandations du fabricant.
6. Ne touchez pas l'ÉLÉMENT CHAUFFANT pendant ou immédiatement après utilisation.
7. Ne faites jamais fonctionner le lave-vaisselle si tous les panneaux du CHÂSSIS ne sont pas en place.
8. Ne modifiez pas les boutons de commande.
9. Ne forcez pas, ne vous asseyez pas et ne marchez pas sur la porte ou les paniers du lave-vaisselle.
10. Afin de limiter les risques de blessures, ne laissez pas les enfants jouer dans ou sur le lave-vaisselle.
11. Dans certaines conditions, de l'hydrogène peut être généré dans un système d'eau chaude qui n'a pas été utilisé pendant deux semaines voire plus. L'HYDROGÈNE EST UN GAZ EXPLOSIF. Si le système d'eau chaude est resté inutilisé pendant une telle durée, avant d'utiliser le lave-vaisselle, ouvrez tous les robinets d'eau chaude et laissez l'eau couler plusieurs minutes. Cela permet d'évacuer l'hydrogène éventuellement présent. Le gaz étant inflammable, ne fumez pas et n'utilisez pas de flamme nue lors de cette opération.
12. Retirez la porte du compartiment de lavage d'un ancien lave-vaisselle avant de le rapporter au service de réparation ou de le mettre au rebut.

CONSERVEZ CES INSTRUCTIONS

Consignes de sécurité

ATTENTION

- Après déballage du lave-vaisselle, maintenez les emballages hors de portée des enfants.
- Le lave-vaisselle est très lourd. N'essayez pas de le déplacer ou de le soulever seul. Au minimum deux personnes sont nécessaires pour déplacer le lave-vaisselle et ainsi éviter tout risque de blessures.
- À l'instar de tout type d'équipement électrique, utilisant l'eau et comportant des parties mobiles, des risques potentiels existent.
- N'installez pas le lave-vaisselle près d'appareils électriques. Éloignez-le des flammes nues.
- Installez et mettez à niveau votre lave-vaisselle sur un sol non recouvert de moquette et capable de supporter son poids.
- Votre lave-vaisselle doit être correctement relié à la terre. Ne le branchez jamais à une prise non reliée à la terre. Reportez-vous à la page 7 pour plus d'informations sur la mise à la terre de votre lave-vaisselle.
- Connectez le fil de terre au connecteur de terre vert du bornier.
- Une fois le lave-vaisselle installé, vérifiez que le tuyau d'évacuation est correctement raccordé et que les raccords du tuyau ne présentent aucune fuite. Si le tuyau d'évacuation est mal fixé, cela risque d'entraîner des dégâts matériels.
- Le tuyau d'alimentation en eau est susceptible de se rompre. Avec le temps, il devient moins flexible. Vérifiez-le régulièrement. S'il est gonflé, craquelé, coupé ou s'il présente une fuite d'eau, remplacez-le immédiatement.
- Pour une utilisation sûre de cet appareil, il est fortement recommandé de vous familiariser avec ses fonctions et de rester vigilant lors de son utilisation.
- Ne mettez pas d'essence, de solvants ou autres matières inflammables dans le lave-vaisselle. Ne lavez pas d'objets ayant été exposés à ce type de matières.
- Maintenez le produit de lavage pour lave-vaisselle hors de la portée des enfants. Ce type de produits est dangereux pour la santé. Contenant des éléments de polissage, ils sont corrosifs. Évitez tout contact avec la peau ou les yeux.
- N'exercez aucune pression sur la porte lorsqu'elle est ouverte car cela risquerait d'endommager le lave-vaisselle et vous pourriez vous blesser.
- Ne laissez pas les enfants jouer dans ou sur le lave-vaisselle. Ils risqueraient de se blesser ou d'endommager le lave-vaisselle.

CONSERVEZ CES INSTRUCTIONS

- Débranchez le câble d'alimentation (ou coupez le disjoncteur) avant de procéder à l'entretien de votre lave-vaisselle.
- Ne réparez pas et ne remplacez pas vous-même les éléments du lave-vaisselle. Le démontage, les réparations et les modifications ne doivent être effectués que par des techniciens de maintenance agréés. Toute intervention de la part d'une personne non autorisée risque d'annuler la garantie.
- Avant de mettre votre lave-vaisselle au rebut, retirez la porte du compartiment de lavage ou le loquet de la porte de manière à ce que des enfants ou de petits animaux ne puissent pas être emprisonnés à l'intérieur.
- Si le lave-vaisselle reste inutilisé pendant une période prolongée, coupez l'arrivée d'eau.
- Ce lave-vaisselle est prévu pour une utilisation privée uniquement.

Avant d'utiliser votre lave-vaisselle

AVERTISSEMENT



Risque de basculement

- N'utilisez pas le lave-vaisselle avant qu'il ne soit correctement installé.
- N'appuyez pas sur la porte du lave-vaisselle lorsque celle-ci est ouverte.
- Ne placez rien de trop lourd sur la porte du lave-vaisselle lorsque celle-ci est ouverte.



Risque d'électrocution

Le non-respect de ces consignes peut entraîner un incendie ou une électrocution et avoir des conséquences mortelles.

- Reliez le lave-vaisselle à la terre.
- Connectez le fil de terre au connecteur de terre vert de la boîte de jonction.
- N'utilisez pas de rallonge.

CONSERVEZ CES INSTRUCTIONS



Consignes de sécurité

Informations relatives à la réglementation

Réglementation FCC

PRÉCAUTIONS RELATIVES À LA FCC :

Des changements ou des modifications réalisé(e)s sans l'accord expresse de la partie responsable de la conformité peuvent rendre caduque l'autorisation accordée à l'utilisateur de se servir de l'appareil.

Cet appareil est conforme au paragraphe 15 de la réglementation FCC. Son fonctionnement est soumis aux deux conditions suivantes :

- (1) Cet appareil ne doit pas provoquer d'interférences néfastes, et
- (2) Cet appareil doit accepter toute interférence reçue, y compris les interférences susceptibles d'entraîner un fonctionnement indésirable.

Pour les appareils vendus sur les marchés des États-Unis et du Canada, seuls les canaux 1 à 11 sont disponibles. Vous ne pouvez pas sélectionner d'autres canaux.

DÉCLARATION DE LA FCC :

cet appareil a été testé ; il est conforme aux limitations applicables aux appareils numériques de classe B, selon le paragraphe 15 de la réglementation FCC. Ces limites sont destinées à assurer une protection suffisante contre les interférences néfastes dans une zone résidentielle.

Cet appareil génère, utilise et peut émettre de l'énergie radioélectrique. S'il n'est pas installé et utilisé selon les instructions, il peut entraîner des interférences néfastes pour les communications radio. Toutefois, aucune garantie n'est faite quant à l'absence d'interférences sur une installation particulière. S'il s'avère que cet appareil produit des interférences néfastes sur votre radio ou votre télévision (pour le vérifier, éteignez puis rallumez l'appareil), essayez de les éliminer à l'aide d'une ou de plusieurs des mesures suivantes :

- Réorientez l'antenne de réception ou changez son emplacement
- Augmentez la distance entre l'appareil et le récepteur
- Branchez l'appareil à une prise d'un autre circuit que la radio ou la télévision.
- Demandez de l'aide au revendeur ou à un technicien radio/TV expérimenté.

CONSERVEZ CES INSTRUCTIONS



DÉCLARATION DE LA FCC CONCERNANT L'EXPOSITION AUX MICRO-ONDES :

Cet appareil répond aux limites de la FCC sur l'exposition aux rayonnements établies pour un environnement non-contrôlé. Cet appareil doit être installé et utilisé de sorte qu'il y ait une distance minimale de 8 pouces (20 cm) entre le radiateur et votre corps. Cet appareil et son ou ses antennes ne doivent pas être placés ou utilisés avec d'autres antennes ou transmetteurs.

Réglementation IC

Le terme « IC » devant le numéro de certification radio signifie uniquement que les spécifications techniques d'Industry Canada sont respectées. Son fonctionnement est soumis aux deux conditions suivantes : (1) cet appareil ne doit pas provoquer d'interférences, et (2) cet appareil doit accepter toute interférence reçue, y compris les interférences susceptibles d'entraîner un fonctionnement indésirable.

Cet appareil numérique de la classe B est conforme à la norme ICES-003 du Canada.

Cet appareil numérique de la classe B est conforme à la norme NMB-003 du Canada.

Pour les appareils vendus sur les marchés des États-Unis et du Canada, seuls les canaux 1 à 11 sont disponibles. Vous ne pouvez pas sélectionner d'autres canaux.

DÉCLARATION DE L'IC CONCERNANT L'EXPOSITION AUX MICRO-ONDES :

Cet appareil répond aux limites de la norme IC RSS-102 en matière d'exposition aux rayonnements établies pour un environnement non-contrôlé. Cet appareil doit être installé et utilisé de sorte qu'il y ait une distance minimale de 8 pouces (20 cm) entre le radiateur et votre corps. Cet appareil et son ou ses antennes ne doivent pas être placés ou utilisés avec d'autres antennes ou transmetteurs.

CONSERVEZ CES INSTRUCTIONS

Consignes de sécurité



Équipement de type EUT	Émetteur non intentionnel selon le paragraphe 15 de la réglementation FCC
Type d'appareil	Lave-vaisselle
Nom de commerce	Samsung
Modèle	DW80R9950UG, DW80R9950US, DW80R9950UT
Variante de modèle	-
Règles appliquées	47 CFR partie 15, sous-partie B / ANSI C63.4-2014
	ICES-003 Version 6
Fabricant	Samsung Electronics Co., Ltd. (Maetan dong) 129, Samsung-ro, Yeongtong-Gu, Suwon-Si, Gyeonggi-Do 16677 Corée
PARTIE RESPONSABLE AUX ÉTATS-UNIS	Samsung Electronics America QA Lab 19 Chapin Rd. Building D Pine Brook NJ 07058 Tél. : 1-973-808-6375 Télécopie : 1-973-808-63

CONSERVEZ CES INSTRUCTIONS

Annonce de logiciel libre

Le logiciel inclus dans cet appareil contient un logiciel libre. Vous pouvez obtenir l'intégralité du code source correspondant pour une période de trois ans après la dernière expédition de l'appareil en envoyant un e-mail à l'adresse : <mailto:oss.request@samsung.com>.

Vous pouvez également l'obtenir dans un format physique, sur un CD-ROM par exemple, moyennant des frais limités.

L'URL suivante http://opensource.samsung.com/opensource/SMART_AT_051/seq/0 mène à la page de téléchargement du code source et aux informations disponibles relatives à la licence libre associés à cet appareil. Cette offre est valable pour toute personne recevant ces informations.



CONSERVEZ CES INSTRUCTIONS

Avant de commencer

Veillez à ce que votre installateur respecte soigneusement ces consignes afin de garantir le bon fonctionnement de votre lave-vaisselle et d'éviter tout risque de blessures lors de son utilisation.

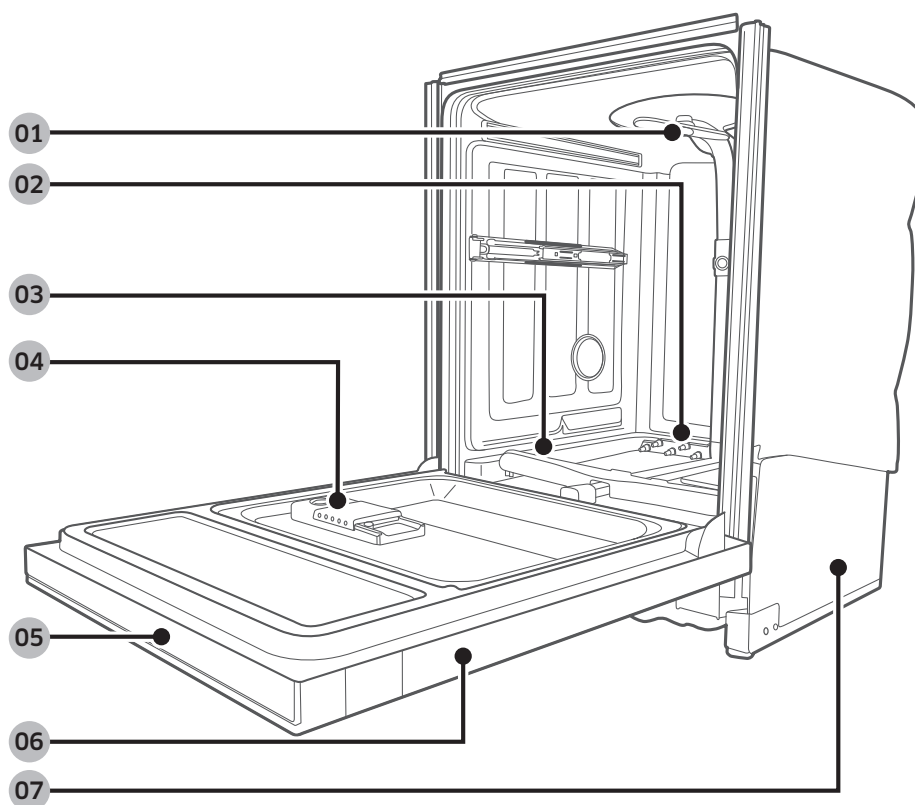
Déballage du lave-vaisselle

- Après la livraison de votre nouveau lave-vaisselle, déballez-le soigneusement et vérifiez qu'il n'a pas été endommagé.
Si tel est le cas, précisez-le sur le bordereau de livraison et gardez-en une copie.
N'installez pas le lave-vaisselle et contactez le service client Samsung au numéro figurant sur la page suivante.
- Si l'appareil n'est pas endommagé, vous pouvez procéder à l'installation. Si vous effectuez vous-même l'installation, lisez d'abord le guide d'installation et suivez les instructions qui y figurent.
- Après déballage du lave-vaisselle, maintenez les emballages hors de portée des enfants pour des raisons de sécurité.

Contrôle du contenu

Une fois votre lave-vaisselle déballé, assurez-vous que vous avez reçu toutes les pièces illustrées ci-dessous.

Si votre lave-vaisselle a été endommagé lors du transport ou si des pièces sont manquantes, contactez le service client Samsung au 1-800-SAMSUNG (726-7864).



01 Gicleur intégré au panier supérieur

02 Gicleur inférieur

03 Réflecteur d'eau

04 Réservoir

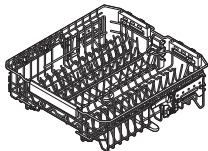
05 Tableau de commande

06 Porte

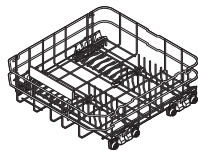
07 Base

Avant de commencer

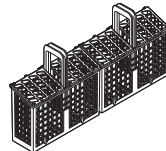
Accessoires



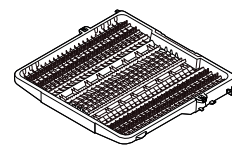
Panier supérieur



Panier inférieur



Panier à couverts



3^e panier

REMARQUE

Accessoires : Manuel d'utilisation/d'installation, Kit d'installation, Plaque de protection.

ATTENTION

- Ne lavez pas les objets recouverts de cendre, sable, cire, lubrifiant ou peinture. Ces matériaux endommageront le lave-vaisselle. La cendre ne se dissout pas et se répandra dans tout le lave-vaisselle.
- Retirez tous les résidus alimentaires (os, pépins, etc.) ainsi que les débris (cure-dents, serviettes en papier, etc.) de vos plats. Les résidus alimentaires et les débris peuvent faire du bruit, faire dysfonctionner le lave-vaisselle et endommager vos plats et votre lave-vaisselle.

Objets non adaptés au lave-vaisselle

AVERTISSEMENT

Lavez uniquement des objets en verre, en porcelaine et des couverts indiqués comme étant lavables au lave-vaisselle par le fabricant. Ne lavez pas d'objets en aluminium (les filtres à graisse par exemple). Le lave-vaisselle risque d'endommager l'objet en aluminium et, dans les cas extrêmes, de provoquer une grave réaction chimique.

Ne lavez pas les objets suivants au lave-vaisselle :

- Les éléments en cuivre, laiton, étain, ivoire et aluminium ou les éléments comportant un adhésif.
- Éléments en plastique ne résistant pas à la chaleur
- Éléments faits à la main, antiquités, vases de valeur et verrerie décorative
- Éléments de poterie ou en céramique glaçurée
- Couverts en bois et plats ou éléments comportant des parties en bois
- Verrerie délicate ou verrerie contenant du cristal au plomb. Des marbrures peuvent se produire sur la verrerie après de nombreux lavages.

REMARQUE

Les articles en argent qui sont rentrés en contact avec des aliments contenant du soufre risquent de se décolorer. Les aliments avec une teneur en soufre incluent les jaunes d'œufs, les oignons, la mayonnaise, la moutarde, le poisson, le poisson en saumure et les marinades.

Réflecteur d'eau

Le réflecteur d'eau détecte automatiquement les obstacles présents à l'intérieur du lave-vaisselle pouvant interférer avec le signal du réflecteur. Si un obstacle est détecté, l'affichage clignote et le lave-vaisselle émet un signal sonore pendant plusieurs minutes. Si tel est le cas, retirez l'obstacle.

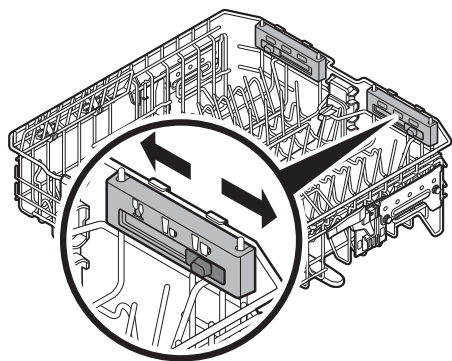
Utilisation du lave-vaisselle

Utilisation de base des paniers

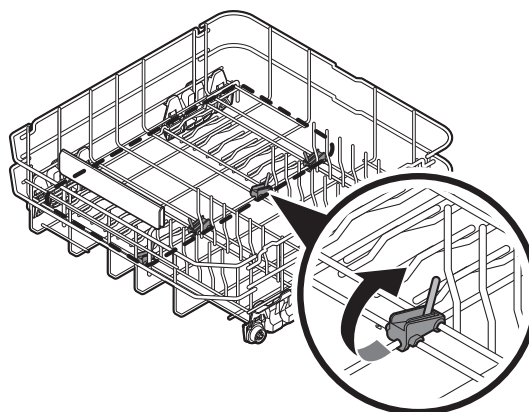
Inclinaison des porte-assiettes

Dans le panier supérieur, vous pouvez régler l'inclinaison des tiges sur trois positions différentes en fonction de la taille et de la forme de vos plats. Pour régler la position des tiges, poussez le levier situé à l'avant du panier vers la gauche ou vers la droite. Reportez-vous à l'illustration ci-dessous.

Dans le panier inférieur, les tiges peuvent être facilement rabattues afin de pouvoir installer des objets volumineux, comme des chaudrons et des casseroles, sur l'espace Zone Booster (Zone à jet puissant). Retirez le panier du lave-vaisselle, et rabattez ensuite les tiges une par une. Reportez-vous à l'illustration ci-dessous.



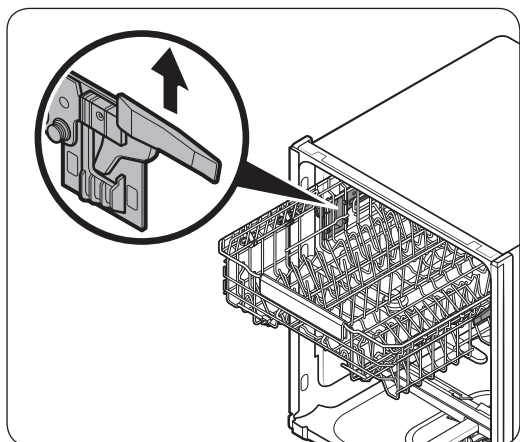
Panier supérieur



Panier inférieur

Réglage de la hauteur

Vous pouvez régler la hauteur du panier supérieur de votre lave-vaisselle Samsung de manière à pouvoir placer des plats de plus grande taille dans le panier inférieur. Selon la hauteur choisie pour le panier supérieur, le panier inférieur peut accueillir des assiettes de 12 po (30 cm) de diamètre et le panier supérieur, des assiettes de 8 po (20 cm) de diamètre.



Pour lever le panier supérieur :

Tirez le panier supérieur vers le haut. La poignée réglable se bloque et le panier supérieur se lève.

Pour abaisser le panier supérieur :

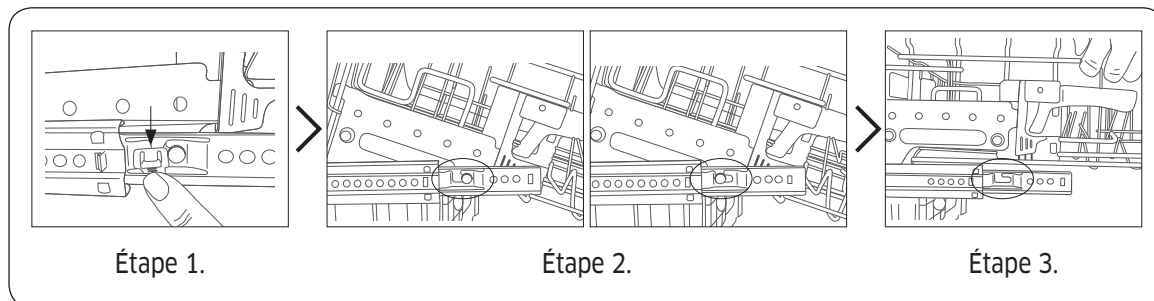
Tenez les deux poignées réglables situées sur les côtés gauche et droit du panier supérieur, puis appuyez de façon uniforme.

⚠ ATTENTION

- Réglez la hauteur du panier supérieur avant d'y charger la vaisselle. Autrement, vous risquez d'endommager cette dernière.
- Assurez-vous de tenir les deux poignées pendant le réglage, autrement, la porte du lave-vaisselle risque de ne pas se fermer correctement.

Utilisation du lave-vaisselle

Pour retirer le panier supérieur :



Pour retirer le panier supérieur de la glissière, tirez le panier supérieur hors de la cuve jusqu'à ce qu'il soit complètement à l'extérieur.

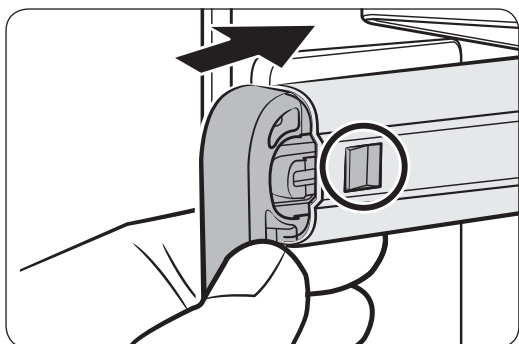
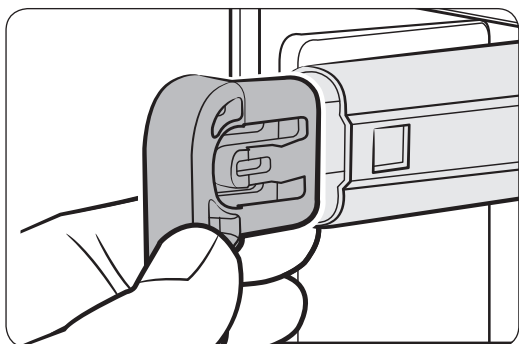
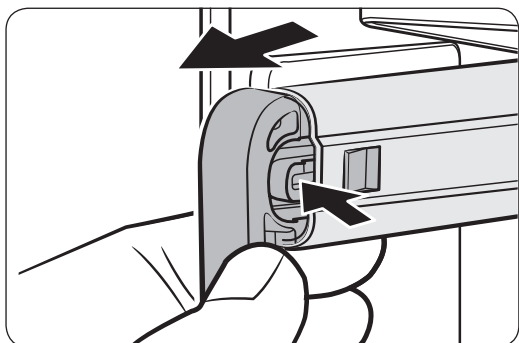
Appuyez sur les rails supports des deux côtés pour libérer le panier supérieur. Faites glisser le panier supérieur vers l'extérieur jusqu'en butée de l'un des rails supports, puis soulevez le.

Répétez les étapes ci-dessus avec l'autre rail support.

ATTENTION

- Ne mettez pas le lave-vaisselle en marche sans le panier supérieur. Autrement, le lave-vaisselle ne fonctionnera pas correctement et fera du bruit.
- Le panier supérieur étant amovible, insérez-le correctement pour que le lave-vaisselle puisse fonctionner normalement.
- Veillez à ne pas perdre les rails supports au cours du processus.

Pour retirer le 3^e panier :



1. Placez votre doigt sur la partie inférieure du 3^e rail support comme indiqué, puis pressez le levier du support (voir flèches sur l'image) pour tirer et retirer le support. Répétez cette étape de l'autre côté.

2. Après avoir retiré le support, retirez le 3^e panier du lave-vaisselle.

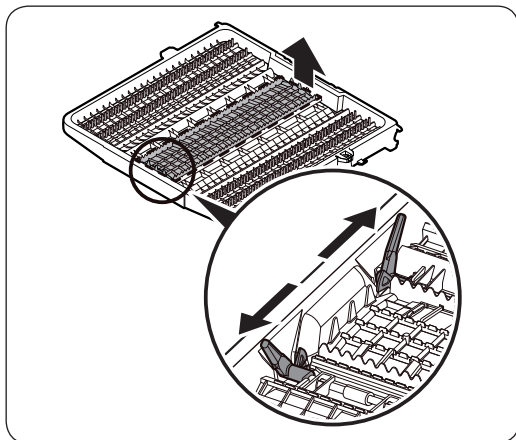
3. Inversez l'ordre de retraiter pour réinsérez le 3^e panier.

⚠ ATTENTION

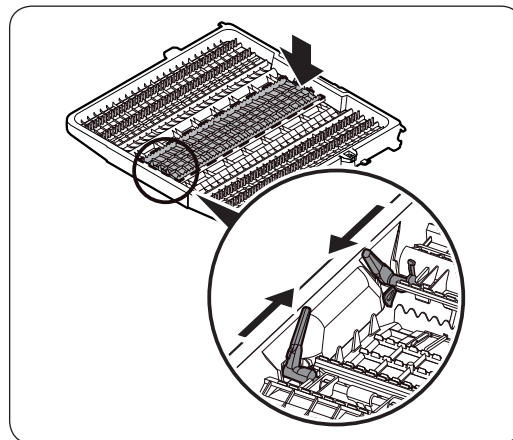
Assurez-vous que la partie en forme de crochet (encerclée) du support soit orientée vers le bas lors de la réinsertion du support dans le rail.

Utilisation du lave-vaisselle

Réglage du panier Flexible 3rd Rack™



Position haute du panier Flex Deck



Position basse du panier Flex Deck

Lorsque vous placez des spatules, des cuillères de service et des articles similaires sur le panier Flex Deck, tirez ou poussez les parties mises en évidence sur la figure ci-dessus dans le sens des flèches. Une fois le panier Flex Deck abaissé, vous pouvez y placer des ustensiles relativement plus gros. Pour mieux utiliser le panier supérieur, retirez le 3^e panier ou relevez-le pour faire plus de place.

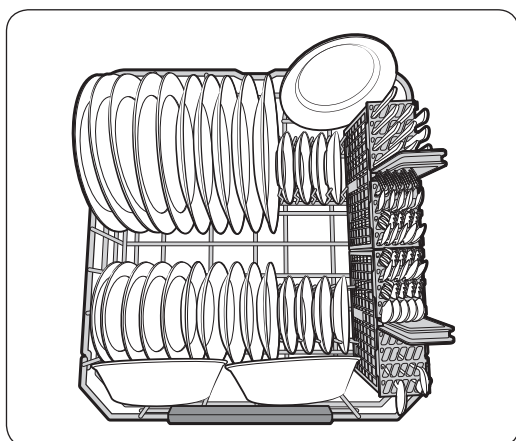
Chargement de la vaisselle

Chargement du panier inférieur

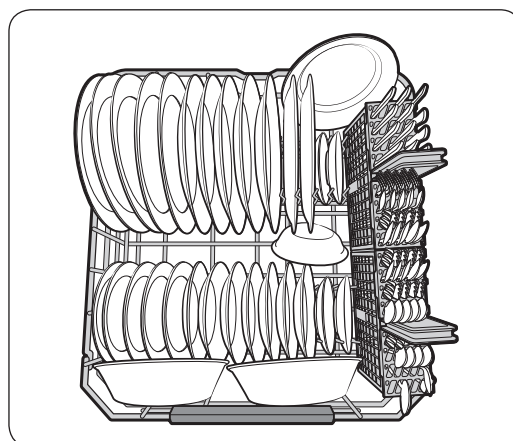
Il a été spécialement conçu pour accueillir la vaisselle de table, les bols, les assiettes, les casseroles, les couvercles et les plats.

Chargez les objets volumineux (poêles, casseroles) face intérieure tournée vers le bas. Il est conseillé de charger les tasses, les verres à pied et les soucoupes dans le panier supérieur.

Reportez-vous aux modèles de chargement conseillés ci-dessous.



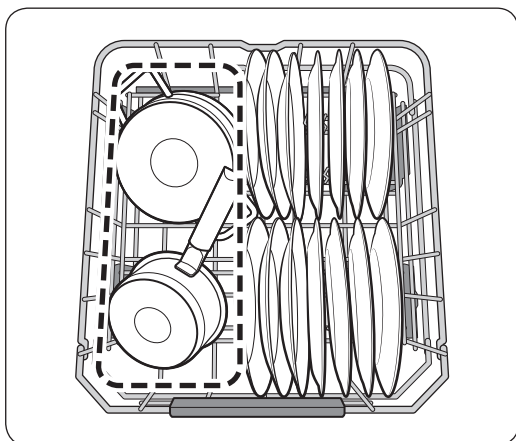
10 couverts



12 couverts

Utilisation du lave-vaisselle

Dans les espaces Zone Booster (Zone à jet puissant)



Pour un nettoyage plus efficace, placez les objets volumineux du côté gauche du panier inférieur, dans les espaces Zone Booster (Zone à jet puissant) (zone rouge).

La fonction Zone Booster (Zone à jet puissant) active des jets d'eau plus puissants dans les espaces Zone Booster (Zone à jet puissant).

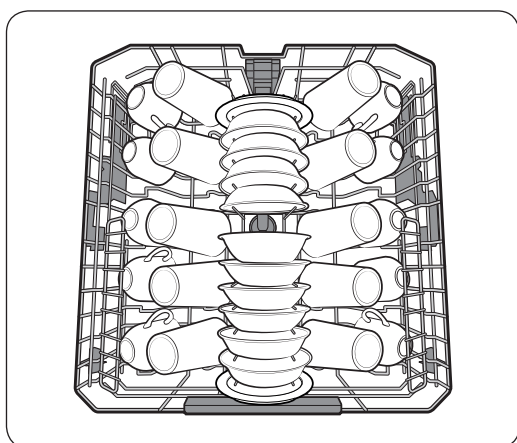
Assurez-vous que les poignées des casseroles ou autres récipients n'empêchent pas la rotation des gicleurs ou du réflecteur d'eau.

Chargement du panier supérieur

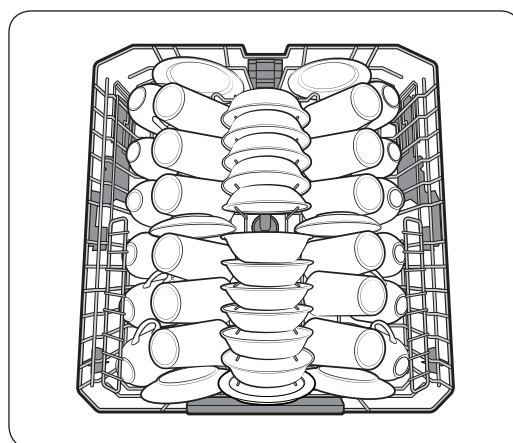
Le panier supérieur est conçu pour accueillir les soucoupes, les tasses, les verres et les objets en plastique portant la mention « lavable au lave-vaisselle ». Placez vos assiettes dans le lave-vaisselle sur deux demi-rangées, de sorte que le dessus de chaque assiette soit face au-dessous de l'assiette de devant et que les côtés ouverts des assiettes soient au centre du lave-vaisselle, face à face. Reportez-vous aux illustrations ci-dessous.

Assurez-vous que la vaisselle n'empêche pas le gicleur situé sous le panier supérieur de tourner (Vérifiez en faisant tourner le gicleur manuellement.).

Lorsque vous chargez la vaisselle, tirez suffisamment le panier supérieur de façon à pouvoir le remplir sans heurter le haut du lave-vaisselle.

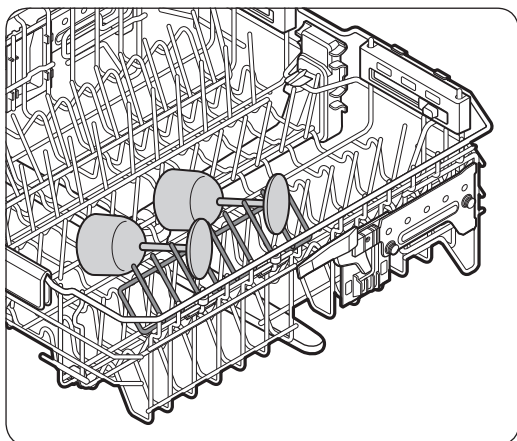


10 couverts



12 couverts

Utilisation du porte-verres



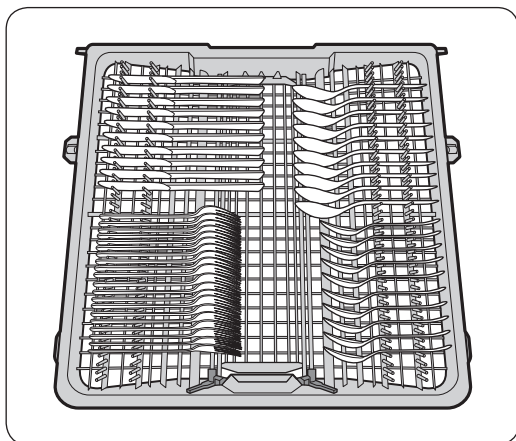
Le porte-verres est spécialement adapté aux verres à pied. Glissez les verres à pied dans les encoches du porte-verres. Repliez le porte-verres si vous ne souhaitez pas vous en servir au cours d'un lavage.

⚠ ATTENTION

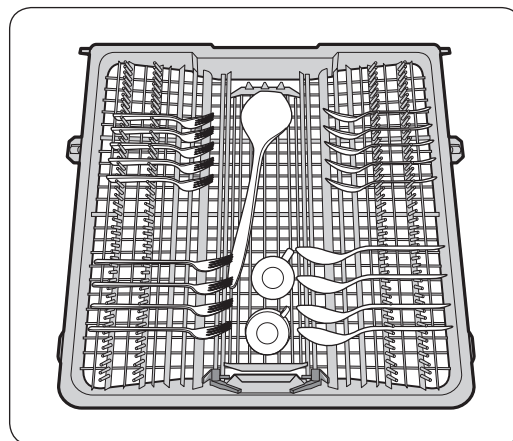
N'ajustez pas le niveau du panier supérieur avec le porte-verres maintenu vers le haut. Il vous sera impossible d'ajuster le panier supérieur.

Utilisation du lave-vaisselle

Chargement du panier Flexible 3rd Rack™



Panier supérieur Flex Deck



Panier inférieur Flex Deck

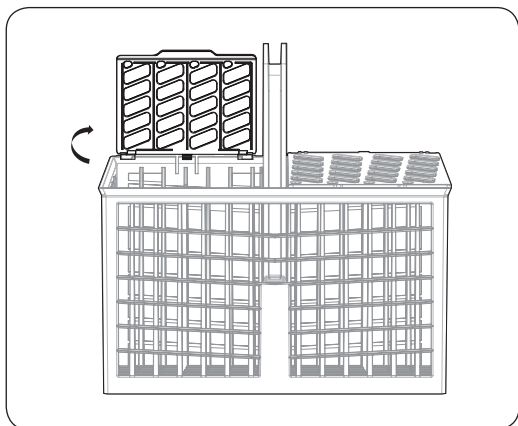
Ce panier à couverts est mieux adapté pour la vaisselle plate ou les ustensiles de cuisson et de service. Vous pouvez placer les couverts et les ustensiles de manière aléatoire ou régulière dans ce panier à couverts.

Les ustensiles ou éléments très sales avec des particules d'aliment incrustées doivent être placés dans le panier à couverts inférieur pour un nettoyage plus efficace.

Retrait du panier à couverts

Le panier à couverts entier peut être retiré si vous avez besoin de plus d'espace sur le panier supérieur pour des éléments plus grands.

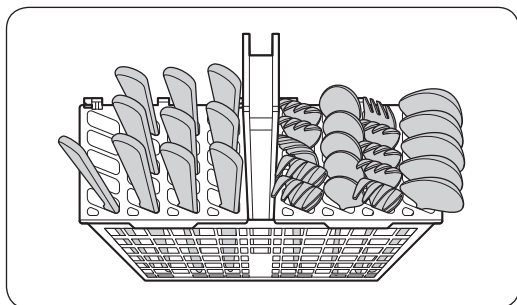
Chargement du panier à couverts



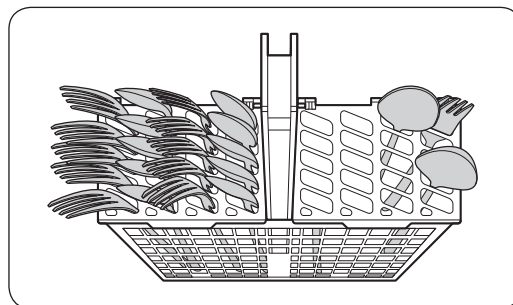
Le panier à couverts est divisé en deux compartiments.

Vous pouvez placer chaque couteau, cuillère ou fourchette séparément dans le support à couverts du panier pour éviter tout écaillage ou décoloration. Reportez-vous aux illustrations ci-dessous.

Vous pouvez utiliser le panier à couverts avec le couvercle ouvert. Reportez-vous à l'illustration de gauche.

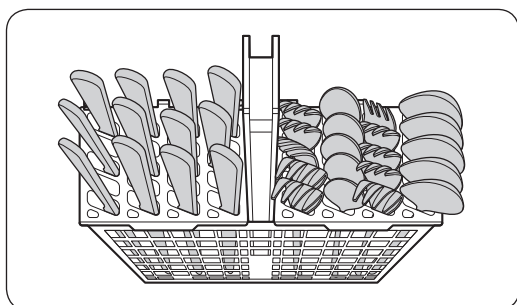


Gauche

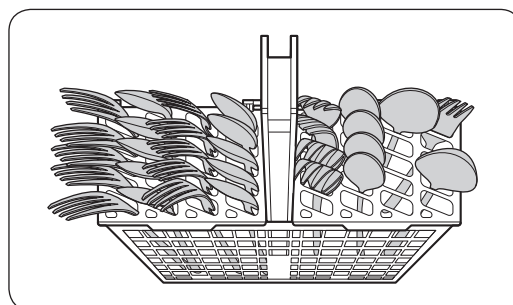


Droite

10 couverts



Gauche

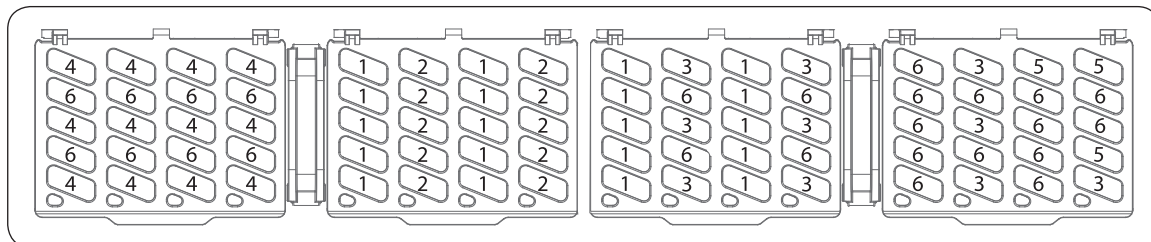


Droite

12 couverts

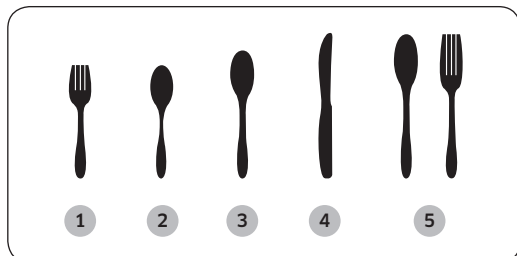
Utilisation du lave-vaisselle

Suggestion de disposition des couverts dans le panier (vue de dessus). À chaque couvert correspond un numéro (consultez le schéma ci-dessous).



REMARQUE

NE laissez JAMAIS un couvert dépasser par le bas.



1. Fourchettes
2. Cuillères à thé
3. Cuillères de table
4. Couteaux
5. Cuillères de service et Fourchettes de service
6. Autres

Recommandations relatives au produit de lavage

Tous les programmes du lave-vaisselle nécessitent la présence de produit de lavage dans le compartiment dédié. Appliquez le produit vaisselle comme indiqué pour le programme sélectionné afin d'obtenir les meilleures performances.

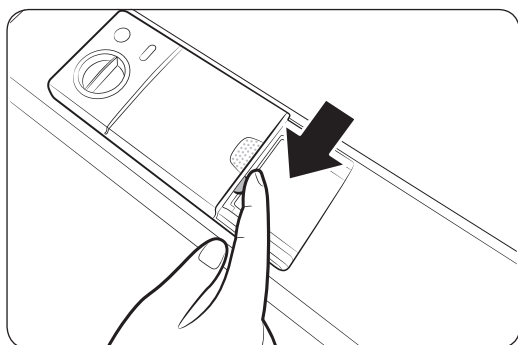
⚠ AVERTISSEMENT

- N'ingérez pas de produit de lavage. Évitez de respirer les vapeurs du produit de lavage. Le produit de lavage pour lave-vaisselle contient des produits chimiques corrosifs et irritants qui peuvent induire les problèmes respiratoires. Si vous avez ingéré du produit de lavage ou si vous en avez inhalé des vapeurs, consultez immédiatement un médecin.
- Gardez le produit de lavage hors de portée des enfants.

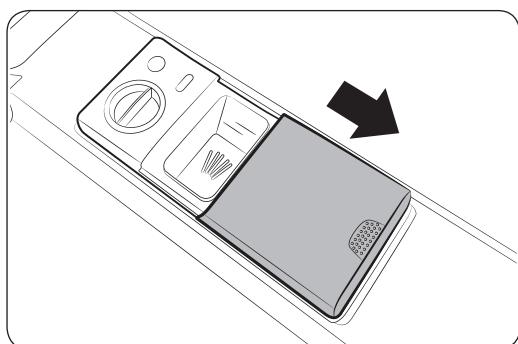
⚠ ATTENTION

Utilisez uniquement du produit de lavage pour lave-vaisselle. Les autres types de produit de lavage produisent trop de mousse, ce qui peut diminuer les performances du lave-vaisselle ou provoquer son dysfonctionnement.

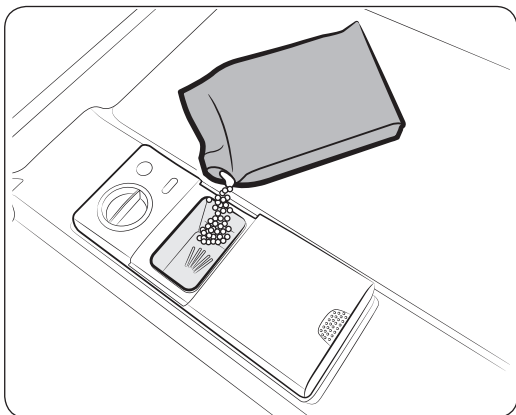
Pour remplir le réservoir de produit de lavage :



1. Appuyez délicatement sur le couvercle du réservoir pour le déverrouiller, puis faites-le glisser pour l'ouvrir. Notez que le couvercle du réservoir s'ouvre à la fin de chaque programme.



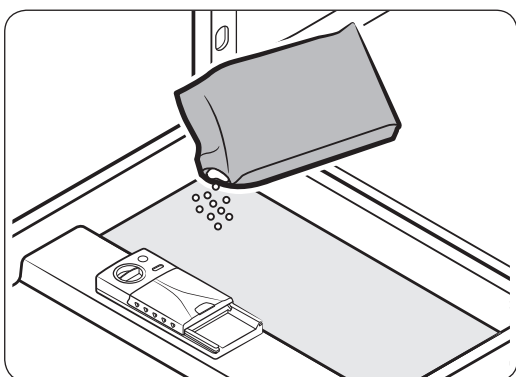
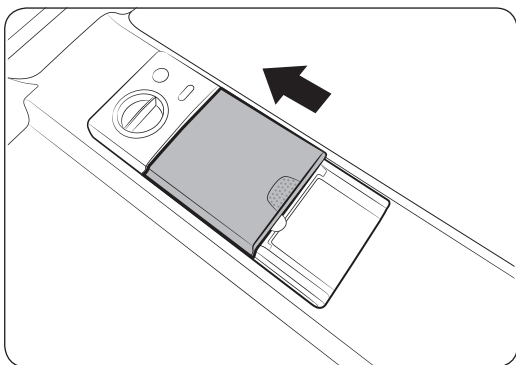
Utilisation du lave-vaisselle



2. Ajoutez la quantité recommandée de produit de lavage dans le compartiment principal.
3. Fermez le couvercle, puis appuyez dessus pour le verrouiller.

REMARQUE

Ce lave-vaisselle ne dispose pas de compartiment séparé pour les produits de lavage sous forme de tablettes.



4. Pour de meilleures performances, versez une petite quantité de produit de lavage sur la porte, en particulier pour les articles très sales. Le produit de lavage supplémentaire s'activera pendant la phase de pré-lavage.

Le couvercle s'ouvrira automatiquement pour déverser le produit dans la machine au cours du lavage.

PROGRAMME	QUANTITÉ DE PRODUIT DE LAVAGE	
	Réservoir de lavage principal	Dans la porte pour le pré-lavage
Auto (Automatique), Normal	3/4 oz (20 g)	1/3 oz (10 g)
Heavy (Intense), Express 60	1 oz (30 g)	1/2 oz (15 g)
Delicate (Délicat)	3/4 oz (20 g)	1/5 oz (5 g)

REMARQUE

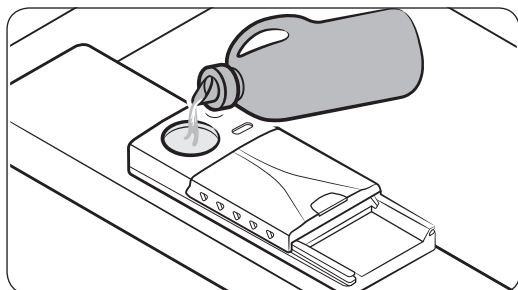
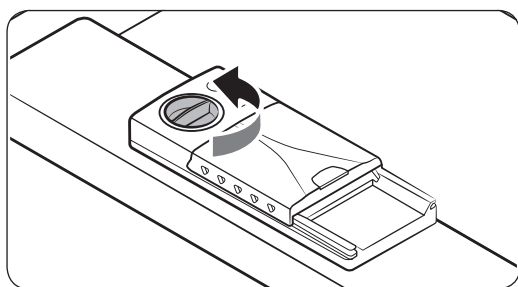
Les chiffres figurant sur le réservoir sont en grammes.

Produit de rinçage

Le produit de rinçage améliore la performance de séchage du lave-vaisselle. Lorsque le voyant de remplissage de produit de rinçage s'allume sur le tableau de commande, remplissez le réservoir de produit de rinçage. Utilisez uniquement du produit de rinçage liquide. L'utilisation d'un produit de rinçage en poudre entraînera le colmatage de l'ouverture du compartiment et provoquera le dysfonctionnement du lave-vaisselle.

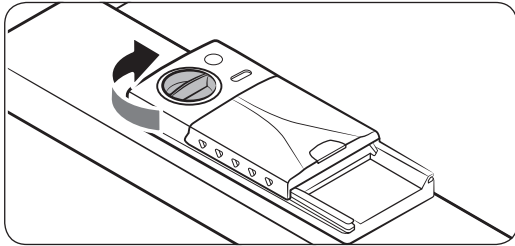
ATTENTION

- Ne remplissez pas le compartiment de produit de rinçage avec du produit de lavage.
- Ne remplissez pas trop le compartiment. Si vous mettez trop de produit de rinçage, il risque de déborder au cours d'un programme.



1. Tournez le bouchon dans le sens antihoraire pour le retirer.
2. Remplissez le compartiment avec du produit de rinçage comme indiqué par le fabricant du produit de rinçage.

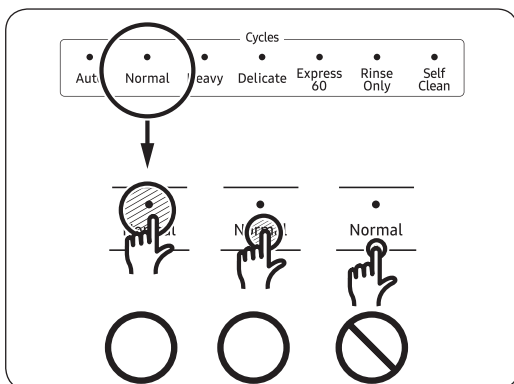
Utilisation du lave-vaisselle



3. Tournez le cadran du produit de rinçage pour sélectionner un niveau de produit de rinçage entre 1 et 6.
 - Plus le chiffre est élevé, plus la quantité de produit de rinçage utilisée par le lave-vaisselle sera importante.
 - Pour améliorer les performances de séchage, sélectionnez un niveau plus élevé.
 - Si votre vaisselle semble décolorée après un lavage, optez pour un niveau plus bas.
4. Tournez le bouchon dans le sens horaire pour le fermer.

Sensibilité du pavé tactile

Afin de ne pas réduire la sensibilité des touches permettant de commander les fonctions, suivez ces instructions.



- Appuyez bien au centre de chaque bouton avec un seul doigt.
- Veillez à ne pas appuyer sur plus d'un bouton à la fois, sauf en cas de directive contraire.
- Nettoyez régulièrement la surface du tableau de commande avec un chiffon doux et humide.

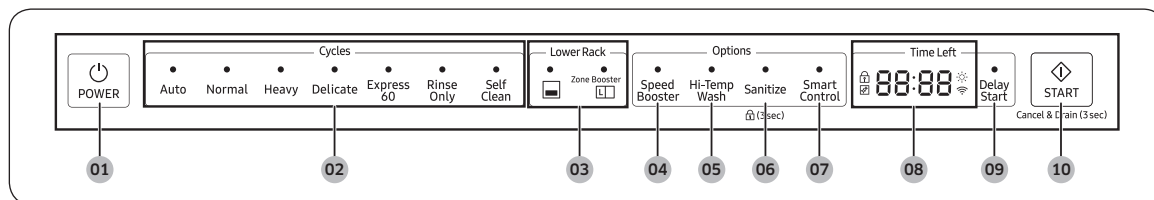
Opérations

⚠ AVERTISSEMENT

Afin de réduire les risques d'incendie, d'électrocution ou de blessures, lisez les CONSIGNES DE SÉCURITÉ IMPORTANTES avant de faire fonctionner cet appareil.


Tableau de commande

Série DW80R9950



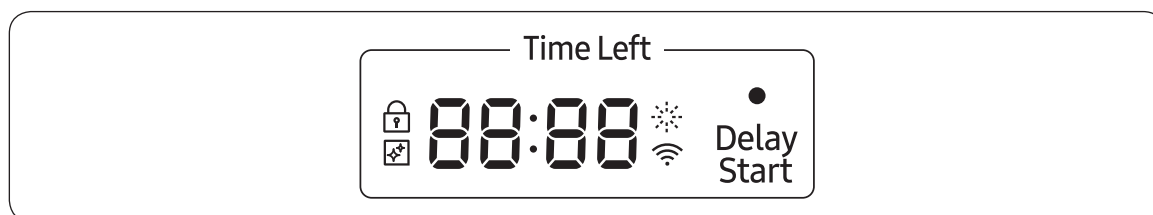
01 POWER (MARCHE/ARRÊT)	Lorsque vous appuyez sur le bouton POWER (MARCHE/ARRÊT) , le voyant d'activité du dernier programme démarré s'allume. Lorsque le sélecteur de programme a terminé sa course, le lave-vaisselle s'éteint automatiquement.
02 Sélecteur de programme	Cette option vous permet de sélectionner le programme de lavage approprié en fonction du degré de salissure de votre vaisselle. Après avoir sélectionné un programme, le voyant d'activité correspondant au programme s'allume. Si vous voulez changer le programme après l'avoir démarré, appuyez sur le bouton POWER (MARCHE/ARRÊT) . Puis, rallumez le lave-vaisselle et sélectionnez un autre programme.
03 Lower Rack (Panier inférieur)	Si cette option est sélectionnée, seul le gicleur du panier inférieur est activé pour réduire à la fois la durée et la consommation d'énergie. Utilisez ce programme pour nettoyer une petite quantité de vaisselle ou des verres dans le panier inférieur. Pour laver de la vaisselle très sale, sélectionnez l'option Zone Booster (Zone à jet puissant) . REMARQUE Si vous souhaitez laver de la vaisselle très sale telle que des casseroles et des poêles, sélectionnez l'option Zone Booster (Zone à jet puissant) . (Cette option consomme légèrement plus d'eau et d'énergie.) L'option Zone Booster (Zone à jet puissant) applique la puissance de lavage intensif sur la partie gauche du panier inférieur. Sélectionner l'option Zone Booster (Zone à jet puissant) n'éteint pas le gicleur intégré au panier supérieur.
04 Speed Booster (Accélérateur de vitesse)	Sélectionnez cette option pour réduire la durée de lavage.





Opérations

<p>05 Hi-Temp Wash (Lavage à haute température)</p>	<p>Augmente la température de lavage principale pour améliorer le nettoyage de la vaisselle salie par des résidus de cuisson tenaces</p>
<p>06 Sanitize (Assainissement) / 🔒 (3sec) (Verrouillage du tableau de commande)</p>	<p>Lorsque l'option Sanitize (Assainissement) est sélectionnée, la température de l'eau monte à 163 °F (73 °C) lors de la phase de rinçage finale pour une désinfection à haute température.</p> <p>Si vous sélectionnez l'option Sanitize (Assainissement), le voyant correspondant clignote lorsque la température de l'eau atteint la température de désinfection (supérieure à 155 °F (68 °C)) puis reste allumé jusqu'à la fin du programme Sanitize (Assainissement). Si vous ouvrez la porte ou appuyez sur le bouton POWER (MARCHE/ARRÊT), le voyant Sanitize (Assainissement) s'éteint.</p> <p> REMARQUE</p> <p>La fonction Sanitize (Assainissement) est conforme à la norme NSF/ANSI 184 relatives aux lave-vaisselle domestiques. Les lave-vaisselle domestiques certifiés ne sont pas conçus pour une utilisation dans des établissements de restauration sous licence. Votre lave-vaisselle est certifié NSF.</p> <p>Seul le programme Heavy (Intensif) avec l'option Sanitize (Assainissement) a été conçu pour répondre aux exigences de la norme NSF 184 concernant l'élimination des saletés et l'efficacité d'assainissement.</p> <p>La fonction Verrouillage du tableau de commande permet de verrouiller les boutons du tableau de commande afin que les enfants ne puissent pas démarrer accidentellement le lave-vaisselle en appuyant sur les boutons du tableau de commande.</p> <p>Pour verrouiller ou déverrouiller les boutons du tableau de commande, maintenez le bouton Sanitize (Assainissement) enfoncé pendant trois (3) secondes lorsque l'appareil est allumé.</p>
<p>07 Smart Control (Commande intelligente)</p>	<p>Vous pouvez suivre et contrôler le lave-vaisselle à distance via une connexion Wi-Fi. Pour connecter le lave-vaisselle à votre smartphone pour la première fois, maintenez enfoncé le bouton Smart Control (Commande intelligente). Pour en savoir plus, reportez-vous à la section « SmartThings » en page 37.</p>
<p>08 Écran</p>	<p>Affiche des informations concernant le programme actuel, notamment la durée du programme, le temps restant, les paramètres de la fonction Delay Start (Départ différé) et d'autres informations spécifiques au programme.</p> <p>Si un problème survient durant le fonctionnement, un code d'information apparaît en émettant un signal sonore. Reportez-vous aux codes d'information aux pages 52 et 53.</p>

09 Delay Start (Départ différé)	<p>Permet de différer le démarrage d'un programme jusqu'à 24 heures (par incréments d'une heure). Pour augmenter l'heure de départ différé, appuyez ou maintenez appuyé le bouton Delay Start (Départ différé). L'heure affichée indique l'heure à laquelle le lavage démarrera.</p> <ul style="list-style-type: none"> - Après avoir réglé l'heure de départ différé, appuyez sur le bouton START (DÉPART), puis fermez la porte pour démarrer le programme. - Si vous voulez modifier l'heure de départ différé une fois que le lave-vaisselle a démarré, appuyez sur le bouton Cancel (Annuler) et éteignez le lave-vaisselle. Puis, rallumez le lave-vaisselle et sélectionnez un nouveau programme avec un nouveau réglage de départ différé.
10 START (DÉPART)	<p>Pour démarrer un programme, appuyez sur le bouton START (DÉPART) avant de fermer la porte.</p> <p>Cancel & Drain (Annuler et vidanger) : pour annuler un programme actuellement en cours et vidanger le lave-vaisselle, appuyez sur le bouton START (DÉPART) pendant trois (3) secondes.</p> <p>Après la réinitialisation du lave-vaisselle, sélectionnez un programme et une option, puis appuyez sur START (DÉPART) pour redémarrer le lave-vaisselle.</p>

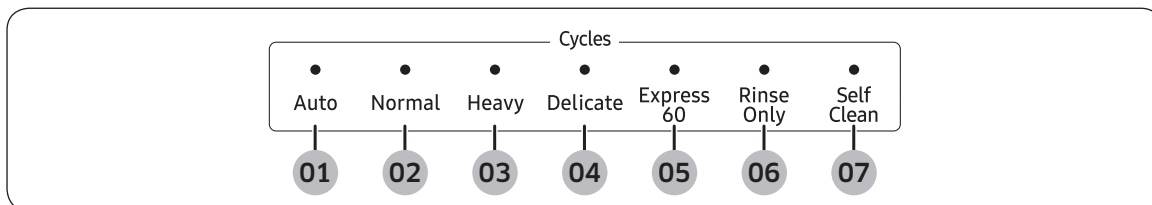
Voyants



Voyant Verrouillage du tableau de commande		<p>S'allume si la fonction Verrouillage du tableau de commande est activée, et clignote si un bouton autre que POWER (MARCHE/ARRÊT) est actionné.</p>
Voyant Self Clean (Auto-nettoyage) (modèles applicables uniquement)		<p>S'allume si l'option Self Clean (Auto-nettoyage) est activée, et clignote pendant 5 secondes tous les 20 à 22 programmes. Le compteur de programmes disparaît lorsque le programme Self Clean (Auto-nettoyage) est terminé, ou lorsque le lave-vaisselle atteint le 23^e programme.</p>
Voyant de remplissage de produit de rinçage		<p>S'allume si le lave-vaisselle est en marche sans produit de rinçage.</p>
Smart Control (Commande intelligente)		<p>S'allume si la fonction SmartThings est activée.</p>

Opérations

Présentation des programmes



01 Auto (Automatique)	Ce programme détecte le degré de salissure de la vaisselle et lance automatiquement le programme le mieux adapté après quelques minutes de fonctionnement.
02 Normal	Utilisez ce programme pour la vaisselle normalement sale. L'étiquette de consommation d'énergie est basée sur ce programme.
03 Heavy (Intensif)	Utilisez ce programme pour la vaisselle très sale.
04 Delicate (Délicat)	Utilisez ce programme pour les objets sales et fragiles, comme les plats en verre fin et les verres en cristal (verres à pied). N'utilisez pas ce programme pour d'autres éléments en verre car ils peuvent devenir troubles ou gravés.
05 Express 60	Utilisez ce programme lorsque vous avez besoin de nettoyer de la vaisselle rapidement. Il dure environ 1 heure.
06 Rinse Only (Rinçage uniquement)	Utilisez ce programme pour rincer des plats, des verres et de l'argenterie qui ne seront pas lavés de suite. N'utilisez pas de produit de lavage.
07 Self Clean (Auto-nettoyage)	Utilisez la fonction Self Clean (Auto-nettoyage) pour laver la cuve du lave-vaisselle. Si le lave-vaisselle nécessite un auto-nettoyage, le voyant Self Clean (Auto-nettoyage) clignote pendant 5 secondes après la mise sous tension du lave-vaisselle. Si vous démarrez le lave-vaisselle alors que le voyant clignote, le voyant s'éteindra automatiquement. Lancez toujours le programme Self Clean (Auto-nettoyage) avec le lave-vaisselle vide. Ne l'utilisez jamais comme programme de lavage pour laver de la vaisselle.



Étapes simples pour démarrer votre lave-vaisselle

1. Ouvrez la porte et chargez le lave-vaisselle. Assurez-vous que les plats sont vides.
2. Placez les plats dans le panier inférieur, le cas échéant. Si vous ajoutez l'option **Zone Booster (Zone à jet puissant)**, placez les plats du côté gauche du panier inférieur.
3. Ajoutez du produit de lavage dans le réservoir correspondant. Pour de meilleurs résultats, ajoutez du produit de rinçage dans le compartiment de produit de rinçage.

REMARQUE

Utilisez du produit de rinçage pour de meilleures performances de séchage. Pour améliorer encore les performances de séchage, sélectionnez également l'option **Sanitize (Assainissement)**.

4. Appuyez sur le bouton **POWER (MARCHE/ARRÊT)**, puis sélectionnez un programme avec les options nécessaires (Lower Rack (Panier inférieur), Zone Booster (Zone à jet puissant), Speed Booster (Accélérateur de vitesse), Hi-Temp Wash (Lavage à haute température), Sanitize (Assainissement)). Si vous changez le programme après avoir sélectionné une option, le programme d'origine est remis à zéro.
5. Appuyez sur le bouton **START (DÉPART)**, puis fermez la porte dans les 3 secondes qui suivent. Le lave-vaisselle démarre le programme après une vidange de quelques secondes.

REMARQUE

- Pour changer un programme après son lancement, maintenez le bouton **START (DÉPART)** enfoncé pendant 3 secondes pour annuler le programme. Sélectionnez ensuite un nouveau programme.
- Pour reprendre après avoir ouvert la porte pour arrêter le lave-vaisselle en cours de fonctionnement, appuyez simplement sur le bouton **START (DÉPART)** dans un premier temps, puis refermez la porte.



Opérations

Réglages

Vous pouvez changer le son ou les réglages de la fonction Auto Release (Séchage Auto Release™) selon vos préférences. Pour modifier les réglages, appuyez simultanément sur les boutons **Sanitize (Assainissement)** et **Delay Start (Départ différé)** pendant 3 secondes. Appuyez sur **Sanitize (Assainissement)** pour naviguer dans les sous-menus, puis appuyez sur **Delay Start (Départ différé)** pour valider vos modifications.

Son
U1/U0



Séchage Auto Release™
A1/A0

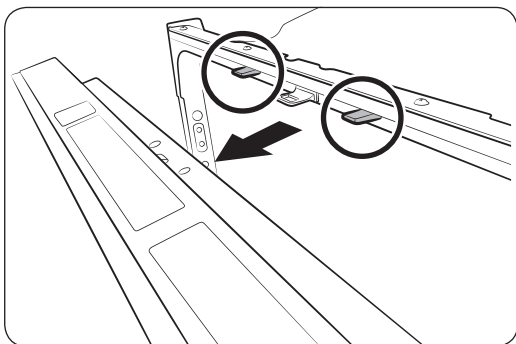
Son

Appuyez sur **Sanitize (Assainissement)** jusqu'à ce que « U1 » ou « U0 » s'affiche. Pour désactiver le son du lave-vaisselle, sélectionnez « U0 », puis appuyez sur **Delay Start (Départ différé)**. Pour activer le son du lave-vaisselle, sélectionnez « U1 », puis appuyez sur **Delay Start (Départ différé)**.

Séchage Auto Release™

La fonction Auto Release (Séchage Auto Release™), conçue pour améliorer les performances de séchage, ouvre automatiquement la porte du lave-vaisselle 5 à 15 minutes avant la fin d'un programme.

Vous pouvez activer ou désactiver la fonction Auto Release (Séchage Auto Release™) de deux façons : à l'aide du mode de réglage ou à l'aide des touches de commutation. Les deux méthodes sont décrites ci-dessous.



Appuyez sur **Sanitize (Assainissement)** jusqu'à ce que « A1 » ou « A0 » s'affiche. Ensuite, appuyez sur **Delay Start (Départ différé)** pour activer (A1) ou pour désactiver (A0) la fonction Auto Release (Séchage Auto Release™).

Utilisation des touches de commutation :

Appuyez sur le bouton **Lower + Hi-Temp Wash (Inférieur + Lavage à haute température)** pendant 3 secondes pour activer (A1) ou pour désactiver (A0) la fonction Auto Release (Séchage Auto Release™).

REMARQUE

- Une fois que la porte s'ouvre en mode Auto Release (Séchage Auto Release™), elle ne peut pas être fermée manuellement pendant les 2 prochaines minutes.
- La désactivation (A0) de la fonction Auto Release (Séchage Auto Release™) peut affecter les résultats de séchage. Activez (A1) la fonction Auto Release (Séchage Auto Release™) pour un meilleur résultat de séchage.
- Une fois un programme terminé, la porte s'ouvre automatiquement pour laisser la vapeur s'échapper. Ce phénomène est normal et ne constitue pas un dysfonctionnement de l'appareil.

SmartThings

Connexion au réseau Wi-Fi

Sur votre smartphone, allez dans **Paramètres**, puis connectez-vous au réseau Wi-Fi de votre domicile.

Téléchargement

Sur un marché d'applications (Google Play Store, Apple App Store ou Samsung Galaxy Apps), recherchez l'application SmartThings avec le mot-clé « SmartThings ». Téléchargez et installez l'application sur votre appareil.

REMARQUE

- L'application SmartThings a été conçue pour le système d'exploitation Android 6.0 (Marshmallow) ou une version ultérieure, ou pour le système d'exploitation iOS 10.0 ou une version ultérieure, un iPhone 6 ou un modèle plus récent, et est optimisée pour les smartphones Samsung (séries Galaxy S et Galaxy Note).
- Pour des performances accrues, l'application SmartThings peut changer sans préavis ou la prise en charge peut s'arrêter conformément à la politique du fabricant.

Connexion

Vous devez d'abord vous connecter à SmartThings à l'aide de votre compte Samsung. Pour créer un nouveau compte Samsung, suivez les instructions affichées sur l'application. Vous n'avez pas besoin d'une application séparée pour créer votre compte.

REMARQUE

Si vous avez déjà un compte Samsung, utilisez-le pour vous connecter. Une personne utilisant un smartphone Samsung enregistré se connecte automatiquement.

Enregistrement de votre appareil sur SmartThings

1. Assurez-vous que votre smartphone est connecté à un réseau sans fil.
2. Ouvrez l'application **SmartThings** sur votre smartphone. Les utilisateurs d'iPhone doivent saisir leurs identifiants de connexion à chaque fois qu'ils accèdent à l'application.
3. Lorsqu'un message « A new device is found. » (Un nouvel appareil a été détecté) s'affiche, sélectionnez **Add (Ajouter)**.
4. Si aucun message n'apparaît, sélectionnez + puis appuyez sur votre lave-vaisselle dans la liste des appareils disponibles. Si votre lave-vaisselle ne figure pas dans la liste, sélectionnez **Device Type (Type d'appareil) > Specific Device Model (Modèle d'appareil spécifique)**, puis ajoutez votre lave-vaisselle manuellement.
5. Suivez les instructions affichées à l'écran pour effectuer le processus de connexion pour votre lave-vaisselle. Maintenez le bouton **Smart Control (Commande intelligente)** sur le tableau de commande enfoncé pendant 5 secondes jusqu'à ce que le message « AP » (Point d'accès) s'affiche sur l'écran. Votre lave-vaisselle est à présent enregistré sur l'application.
6. Une fois le processus terminé, votre lave-vaisselle figure dans la liste d'appareils sur votre application SmartThings.
7. Appuyez doucement sur l'icône du lave-vaisselle pour ouvrir la page du lave-vaisselle.

Opérations

8. Lorsqu'une connexion au réseau est établie, l'icône de réseau Wi-Fi s'allume sur votre lave-vaisselle.

Application Dishwasher (Lave-vaisselle)

Commande intégrée : vous pouvez suivre et contrôler votre lave-vaisselle que vous soyez chez vous ou en déplacement.

- Sélectionnez l'icône du lave-vaisselle sur SmartThings. La page relative au lave-vaisselle s'affiche.
- Vérifiez l'état de fonctionnement ou les notifications de votre lave-vaisselle, puis modifiez les options ou réglages si nécessaire.

REMARQUE

- Cet appareil est conçu pour un usage domestique uniquement (Classe B) et il peut être utilisé dans tous types de zones résidentielles.
- Cet appareil peut générer des interférences sans fil et ni le fabricant, ni l'installateur de cet appareil ne peut offrir de mesure de sécurité quelconque.
- Les méthodes de cryptage recommandées sont WPA/TKIP et WPA2/AES. Les protocoles Wi-Fi nouvellement développés ou les protocoles Wi-Fi non approuvés ne sont pas pris en charge.
- La sensibilité de réception d'un réseau Wi-Fi peut être affectée par les environnements sans fil environnants.
- Si votre fournisseur de services Internet a enregistré l'adresse MAC de votre ordinateur ou du module de modem pour un usage permanent, il se peut que votre lave-vaisselle Samsung ne parvienne pas à se connecter à Internet. Si tel est le cas, prenez contact avec votre fournisseur de services Internet.
- Le pare-feu Internet peut interrompre votre connexion Internet. Si cela se produit, prenez contact avec votre fournisseur de services Internet.
- Si votre lave-vaisselle ne parvient toujours pas à se connecter à Internet après avoir suivi les instructions de votre fournisseur de services Internet, prenez contact avec un centre de dépannage ou un revendeur Samsung local.
- Pour installer et configurer votre routeur filaire ou sans fil, reportez-vous au manuel d'utilisation de ce dernier.
- Votre lave-vaisselle Samsung prend en charge les protocoles Wi-Fi 2,4 GHz.
- Votre lave-vaisselle Samsung prend en charge les protocoles IEEE802.11 b/g/n (2,4 GHz) et Soft-AP. (Le protocole IEEE802.11n est recommandé.)
- Un routeur filaire/sans fil non approuvé peut ne pas parvenir à se connecter à votre lave-vaisselle Samsung.
- L'application SmartThings est disponible sur les appareils tiers exécutant le système d'exploitation Android 6.0 (Marshmallow) ou une version ultérieure, sur les appareils Samsung avec le système d'exploitation Android 5.0 (Lollipop) ou une version ultérieure, et sur les appareils iOS avec iOS 10.0 ou une version ultérieure. (Pour les iPhones, vous devez avoir un iPhone 6 ou un modèle plus récent). L'application est optimisée pour les smartphones (séries Galaxy S et Note).
- Certaines fonctions de l'application peuvent fonctionner différemment sur des appareils tiers.
- L'application est susceptible d'être modifiée sans préavis, à des fins d'amélioration des performances.

SmartThings

Catégorie	Point de contrôle	Description
Surveillance	Statut de lavage	Vous pouvez vérifier le programme actuellement réglé ainsi que ses options, de même que le temps restant.
	Smart Control (Commande intelligente)	Le statut de la fonction Smart Control (Commande intelligente) est indiqué pour le lave-vaisselle.
	Surveillance de la consommation d'énergie	Utilisez cette fonction pour surveiller le statut de consommation d'énergie.
Control (Commandes)	Start/Pause/Cancel (Départ/Pause/Annulation)	Sélectionnez un programme et les options nécessaires, puis sélectionnez Start/Pause/Cancel (Départ/Pause/Annulation) pour démarrer, arrêter temporairement ou annuler une opération en cours.
	My Favorite (Mes favoris)	Ajoutez des programmes et options fréquemment utilisés dans My Favorite (Mes favoris) pour pouvoir y accéder rapidement la prochaine fois.
	Delay Start (Départ différé)	Réglez la fonction Delay Start (Départ différé) pour démarrer le programme à une heure planifiée. (Vous pouvez différer le départ jusqu'à 24 heures.)
Notification	Cycle completed (Fin du programme)	Vous avertit que le programme en cours est terminé.
	Detergent (Produit de lavage)	Vous avertit si le lave-vaisselle est en marche sans produit de rinçage.
Washing Recipe (Recette de lavage)	Cycle recommendation (Programme recommandé)	Vous recommande le programme le plus approprié avec les options optimales pour la vaisselle chargée.
Homecare Wizard (Assistant d'entretien)	Maintenance (Entretien)	L'assistant fournit un service de gestion des appareils, la surveillance de la consommation d'énergie, un historique du lave-vaisselle et un guide d'utilisation.

Opérations

Fonctions spéciales

Départ différé

Vous pouvez différer le départ du programme jusqu'à 24 heures par paliers d'une heure. Pour augmenter l'heure du départ différé, appuyez sur **Delay Start (Départ différé)**. L'heure affichée indique l'heure à laquelle le programme démarrera.

1. Ouvrez la porte et chargez le lave-vaisselle.
2. Appuyez sur **Delay Start (Départ différé)**, puis maintenez **Delay Start (Départ différé)** enfoncé pour changer l'heure par paliers d'une heure.
3. Fermez la porte et appuyez sur le bouton **START (DÉPART)**.

REMARQUE

Pour changer l'heure du départ différé une fois que le lave-vaisselle est en marche, appuyez sur **POWER (MARCHE/ARRÊT)** puis redémarrez le lave-vaisselle.

Commandes tactiles

Les commandes tactiles vous permettent d'utiliser facilement les fonctions du lave-vaisselle.

- Une pression légère suffit à activer la fonction.
- Leur conception est simple et élégante.
- Elles sont faciles à nettoyer.

REMARQUE

Si vous avez des enfants ou si vous souhaitez nettoyer l'interface de commande, il est conseillé de sélectionner la fonction Verrouillage du tableau de commande qui permet de désactiver les touches.

Verrouillage du tableau de commande

Pour éviter que des enfants ne jouent avec le lave-vaisselle, la fonction Verrouillage du tableau de commande verrouille tous les boutons, sauf **POWER (MARCHE/ARRÊT)**.

- Pour activer la fonction Verrouillage du tableau de commande, maintenez le bouton **Sanitize (Assainissement)** enfoncé pendant 3 secondes. Si la fonction Verrouillage du tableau de commande est activée, vous ne pouvez pas sélectionner de programme ni d'option, ni démarrer d'opération.
- Pour désactiver la fonction Verrouillage du tableau de commande, maintenez le bouton **Sanitize (Assainissement)** enfoncé de nouveau pendant 3 secondes.
- La fonction Verrouillage du tableau de commande reste active après le redémarrage du lave-vaisselle. Pour annuler la fonction Verrouillage du tableau de commande, vous devez d'abord la désactiver.

Entretien

Nettoyage

Garder votre lave-vaisselle propre permet d'améliorer ses performances, de limiter les réparations et d'allonger sa durée de vie.

Surface extérieure

Nettoyez les éclaboussures sur la surface du lave-vaisselle dès que nécessaire. Pour retirer délicatement les taches et la poussière du tableau de commande, utilisez un chiffon doux légèrement humide.

ATTENTION

- N'utilisez jamais de benzène, de cire, de diluant, d'agent de blanchiment chloré, d'alcool ou d'autres produits chimiques. Ces substances risquent de décolorer la surface du lave-vaisselle et de former des taches permanentes.
- La partie interne du lave-vaisselle est dotée de composants électriques. N'aspergez pas d'eau directement sur le lave-vaisselle. Protégez les composants électriques afin qu'ils n'entrent pas en contact avec de l'eau.
- Pour le panneau de la porte en acier inoxydable, utilisez du nettoyant adapté spécial acier inoxydable pour appareils ménagers et un chiffon doux et propre.

Partie interne

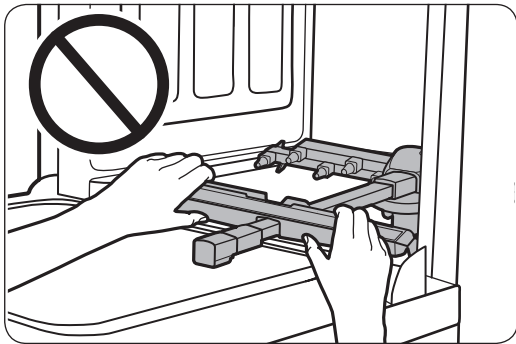
Nettoyez régulièrement la partie interne du lave-vaisselle afin d'en retirer les saletés et les résidus alimentaires. Essuyez la partie interne du lave-vaisselle et de la porte à l'aide d'un chiffon humide. Pour une propreté optimale constante, nous vous recommandons de lancer le programme Self Clean (Auto-nettoyage) de temps en temps avec le lave-vaisselle vide.

Pour que le panier à couverts reste propre, retournez-le après utilisation. Pour éliminer les tâches ou les odeurs du panier à couverts, démarrez le programme Self Clean (Auto-nettoyage) avec le lave-vaisselle vide. N'ajoutez pas de produit de lavage jusqu'à ce que le panier à couverts soit propre. Puis, arrêtez le programme et placez une tasse contenant 8 onces de vinaigre blanc dans le panier inférieur. Fermez la porte puis redémarrez le programme.

ATTENTION

Ne retirez pas la garniture d'étanchéité avant (long joint en caoutchouc entourant l'ouverture du lave-vaisselle). Elle assure l'étanchéité de la partie interne du lave-vaisselle.

Entretien



Utilisez un chiffon humide pour éliminer les dépôts de graisse ou de calcaire à l'intérieur du lave-vaisselle. Sinon, ajoutez un peu de produit de lavage et lancez un programme à vide en utilisant la température de rinçage la plus élevée.

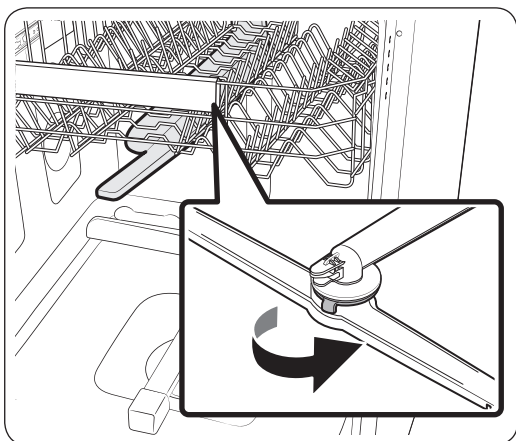
⚠ ATTENTION

Pour éviter d'endommager le moteur, soyez prudent lorsque vous déplacez manuellement le réflecteur d'eau.

Gicleurs

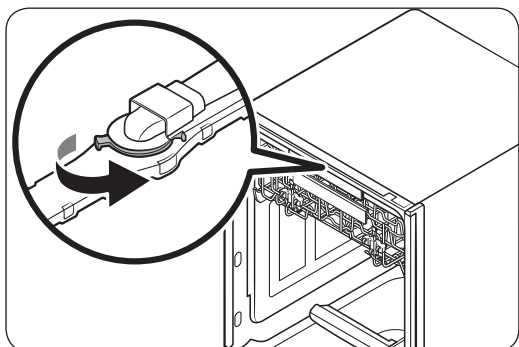
Pour éviter que les gicleurs ne se bouchent ou si ces derniers sont bouchés, retirez et nettoyez chacun d'entre eux. Retirez-les délicatement pour ne pas les casser.

Gicleur intégré au panier supérieur



1. Ouvrez la porte et retirez le panier supérieur pour accéder au gicleur intégré au panier supérieur.
2. Tournez le cache du gicleur dans le sens antihoraire pour le retirer, puis enlevez le gicleur.
3. Débouchez et nettoyez le gicleur.
4. Réinsérez le gicleur puis serrez le cache dans le sens horaire.
5. Tournez le gicleur à la main pour vérifier qu'il s'engage correctement.

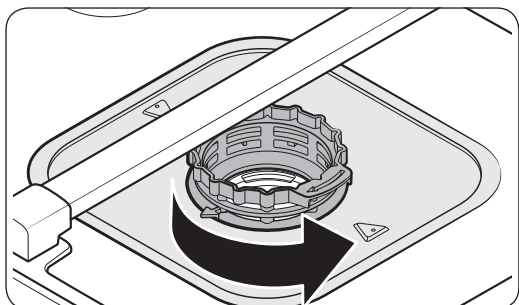
Gicleur intégré au panier supérieur



1. Vérifiez que le gicleur n'est pas obstrué par des résidus alimentaires.
2. Si un nettoyage s'avère nécessaire, retirez le gicleur intégré au panier supérieur.
3. Pour retirer le gicleur intégré au panier supérieur, retirez d'abord le panier supérieur, desserrez le cache du gicleur en le tournant dans le sens antihoraire, puis retirez le gicleur.
4. Nettoyez le gicleur, remettez-le en place, puis réinstallez le cache du gicleur sur le gicleur en le tournant dans le sens horaire.
5. Vérifiez que le gicleur est correctement engagé en le faisant tourner manuellement.

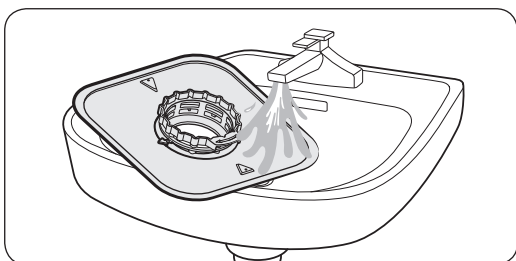
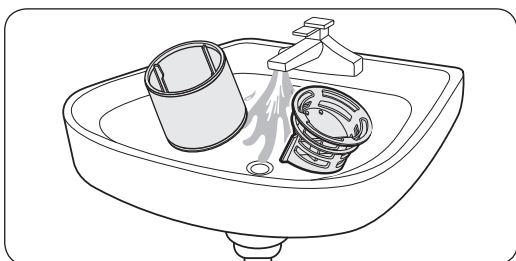
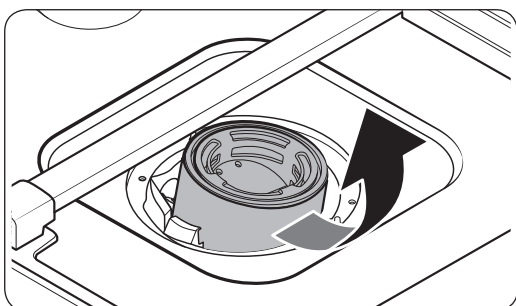
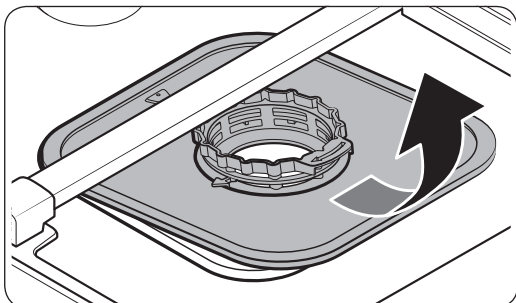
Filtre

Nous vous recommandons de nettoyer le filtre tous les mois.



1. Ouvrez la porte et retirez le panier inférieur.
2. Tournez la poignée du filtre dans le sens antihoraire pour déverrouiller le cache du filtre.

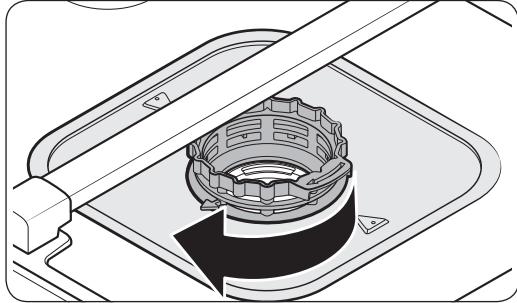
Entretien



3. Retirez le cache du filtre, puis le microfiltre cylindrique en-dessous.

4. Retirez toute la saleté et les impuretés du microfiltre et du cache du filtre.

5. Rincez-les à l'eau claire puis séchez-les bien.



6. Réinsérez le filtre et son cache.
7. Tournez la poignée du filtre dans le sens horaire pour la verrouiller.

⚠ ATTENTION

Assurez-vous que le cache du filtre est correctement fermé. Un cache mal serré peut réduire les performances de filtration.

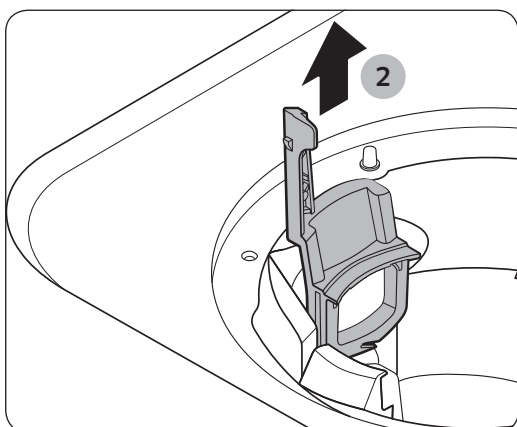
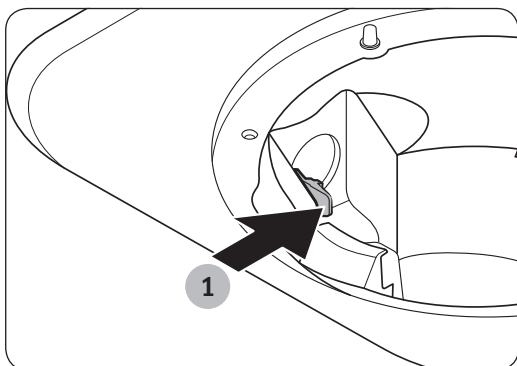
Entretien sur le long terme

Si vous n'allez pas utiliser le lave-vaisselle pendant une période prolongée, vidangez d'abord l'appareil complètement puis débranchez le tuyau d'eau. Coupez le robinet d'arrivée d'eau et le disjoncteur. L'eau restante contenue dans les tuyaux ou dans les composants internes peut endommager le lave-vaisselle.

Entretien

Nettoyage de la pompe de vidange

Si le lave-vaisselle n'arrive pas à se vidanger car la pompe de vidange est bouchée avec un corps étranger, ou si un bruit anormal se fait entendre au niveau de cette pompe, vous devez déboucher et nettoyer la pompe de vidange en suivant les instructions ci-dessous.



1. Retirez le panier inférieur.
2. Reportez-vous à la section « Filtre » pour retirer le microfiltre cylindrique.
3. Essuyez le filtre à l'aide d'une éponge pour retirer toute humidité.
4. Retirez le cache de la pompe de vidange en poussant sa poignée dans le sens de la flèche (1), puis en tirant vers le haut (2).
5. Vérifiez que la turbine est en bon état. Retirez ensuite tous les corps étrangers de la pompe.
6. Remettez le cache de la pompe de vidange, puis appuyez dessus jusqu'à ce que vous entendiez un clic.

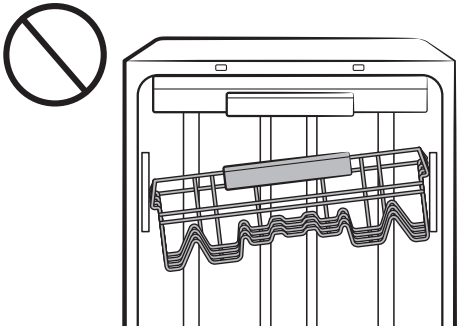
Entreposage de votre lave-vaisselle

Si vous devez entreposer votre lave-vaisselle pendant une période prolongée, vidangez-le puis débranchez-le. En effet, votre lave-vaisselle risque d'être endommagé si de l'eau stagne dans les tuyaux ou les composants internes.

Après avoir vidangé et débranché le lave-vaisselle, assurez-vous de fermer le robinet d'arrivée d'eau ainsi que le disjoncteur.

Dépannage

Consultez ces solutions si vous rencontrez l'un des problèmes suivants avec votre lave-vaisselle.

Problème	Cause possible	Solution
L'appareil ne démarre pas.	La porte n'est pas correctement fermée.	<ul style="list-style-type: none"> Vérifiez si le loquet de la porte est bien enclenché et si la porte est correctement fermée. Vérifiez si le panier supérieur est correctement relié à la buse. Vérifiez également si le panier supérieur est de travers ou déséquilibré. 
	Le bouton START (DÉPART) n'a pas été actionné.	<ul style="list-style-type: none"> Reportez-vous au code d'information qui apparaît à l'écran.
	Ne fonctionne pas du tout.	<ul style="list-style-type: none"> Assurez-vous que le cordon d'alimentation est correctement branché.
	L'arrivée d'eau ne fonctionne pas.	<ul style="list-style-type: none"> Vérifiez si la vanne d'alimentation en eau est ouverte.
	Le tableau de commande est verrouillé.	<ul style="list-style-type: none"> Déverrouillez la fonction Verrouillage du tableau de commande (reportez-vous en page 32).
	Un disjoncteur est ouvert.	<ul style="list-style-type: none"> Réarmez le disjoncteur.
Une opération ou un programme prend trop de temps.	Le lave-vaisselle est raccordé à une alimentation en eau froide.	<ul style="list-style-type: none"> Vérifiez si le circuit d'alimentation en eau est raccordé à un réseau d'eau froide. Pour fonctionner correctement, le lave-vaisselle doit être raccordé à une alimentation en eau chaude. (S'il est relié à une alimentation en eau froide, un certain temps est nécessaire pour chauffer l'eau froide.)

Dépannage

Problème	Cause possible	Solution
Il reste des particules d'aliments sur la vaisselle. (Le lavage ne s'effectue pas correctement.)	Le programme sélectionné était inadapté.	<ul style="list-style-type: none">• Sélectionnez un programme en fonction du degré de salissure de la vaisselle, comme indiqué dans ce manuel.
	La température de l'eau est trop basse.	<ul style="list-style-type: none">• Raccordez le tuyau d'arrivée d'eau au réseau d'eau chaude. Pour un résultat optimal, la température de l'eau doit être de 120 °F (49 °C).
	La pression de l'eau est faible.	<ul style="list-style-type: none">• La pression de l'eau doit être comprise entre 20 et 120 psi (140 et 830 kPa).
	L'eau est trop dure.	<ul style="list-style-type: none">• Utilisez un produit de lavage disponible dans le commerce.• Utilisez du produit de lavage de bonne qualité, récent, contenant un produit de rinçage.
	Aucun produit de lavage pour lave-vaisselle n'a été ajouté.	<ul style="list-style-type: none">• Ajoutez un produit de lavage spécial lave-vaisselle.• Nous recommandons du produit de lavage en poudre ou sous forme de tablettes multifonction spécial lave-vaisselle.
Il reste du produit de lavage dans le réservoir.	<ul style="list-style-type: none">• Assurez-vous que des articles de grande taille, tels que des plaques de cuisson, des planches à découper, des récipients, etc. n'empêchent pas l'ouverture correcte du réservoir de produit de lavage.• Réorganisez la vaisselle de manière à ce qu'elle n'entrave pas le fonctionnement du réservoir de produit de lavage.	

Problème	Cause possible	Solution
Il reste des particules d'aliments sur la vaisselle. (Le lavage ne s'effectue pas correctement.)	Aucun produit de rinçage n'a été ajouté.	<ul style="list-style-type: none"> • Vérifiez le réservoir et ajoutez du produit de rinçage au besoin. • Utilisez un produit de rinçage sous forme liquide.
	Un gicleur est bouché.	<ul style="list-style-type: none"> • Nettoyez le gicleur. Reportez-vous à la page 42.
	La vaisselle n'est pas correctement répartie. L'appareil est surchargé.	<ul style="list-style-type: none"> • Réorganisez la vaisselle de manière à ce qu'elle n'empêche ni la rotation des gicleurs ni la diffusion du produit. • Ne chargez pas plus de vaisselle que la quantité conseillée. • Chargez la vaisselle conformément aux instructions. (Reportez-vous en page 21.) • Placez les éléments très sales dans l'espace Zone Booster (Zone à jet puissant). (Reportez-vous en page 22)
	Les filtres sont bouchés ou ne sont pas assez serrés. (Des salissures restent sur le filtre.)	<ul style="list-style-type: none"> • Avant le chargement des paniers, retirez tout reste d'aliments sur la vaisselle. (Ne pré-rincez pas.) • Nettoyez le filtre. (Reportez-vous en page 43.) • Vérifiez que les filtres sont assez serrés.
Les verres sont recouverts d'une mince pellicule.	L'eau utilisée est douce et la quantité de produit de lavage trop importante.	<ul style="list-style-type: none"> • Ne chargez pas trop le lave-vaisselle et utilisez un produit de rinçage pour minimiser ce phénomène.
	De la vaisselle en aluminium a été placée dans le lave-vaisselle.	<ul style="list-style-type: none"> • Retirez les taches à l'aide d'un nettoyant doux.
Une pellicule jaune ou marron recouvre l'intérieur du lave-vaisselle.	Cela est dû à des taches de café ou de thé.	<ul style="list-style-type: none"> • Retirez-les à l'aide d'un détachant classique. • Utilisez un programme avec une température plus élevée.

Dépannage

Problème	Cause possible	Solution
La vaisselle n'est pas sèche.	Il n'y a plus de produit de rinçage dans le réservoir ou la quantité de produit de rinçage utilisée est insuffisante.	<ul style="list-style-type: none">• Vérifiez le réservoir et ajoutez du produit de rinçage au besoin.• Utilisez un produit de rinçage sous forme liquide.• Vérifiez le réglage du produit de rinçage.
	La température de l'eau est trop basse pendant un programme.	<ul style="list-style-type: none">• Raccordez le tuyau d'arrivée d'eau au réseau d'eau chaude.• Utilisez du produit de rinçage avec l'option Sanitize (Assainissement).
	L'appareil est surchargé.	<ul style="list-style-type: none">• Un chargement incorrect de la vaisselle peut influencer sur son séchage.• Chargez la vaisselle conformément aux instructions. (Reportez-vous en page 21.)
	Les verres et les tasses à fond concave retiennent l'eau. Cette eau peut se renverser sur d'autres articles lors du déchargement.	<ul style="list-style-type: none">• Une fois le programme en cours terminé, videz le panier inférieur en premier. Vous éviterez ainsi de faire couler l'eau résiduelle du panier supérieur dans le panier inférieur.
	La fonction Auto Release (Séchage Auto Release™) est désactivée.	<ul style="list-style-type: none">• Activez la fonction Auto Release (Séchage Auto Release™). Maintenez le bouton Lower (Inférieur) + Hi-Temp Wash (Lavage à haute température) enfoncé pendant 3 secondes pour accéder au menu Auto Release (Séchage Auto Release™). Sélectionnez « A1 » pour activer la fonction Auto Release (Séchage Auto Release™).
	Plusieurs tablettes de lavage ont été utilisées sans avoir sélectionné l'option Sanitize (Assainissement) .	<ul style="list-style-type: none">• Sélectionnez l'option Sanitize (Assainissement) ou utilisez du produit de rinçage.

Problème	Cause possible	Solution
L'appareil dégage de mauvaises odeurs.	De l'eau stagne depuis un programme incomplet.	<ul style="list-style-type: none"> Nettoyez le lave-vaisselle en lançant le programme Self Clean (Auto-nettoyage) avec le lave-vaisselle vide et sans produit de lavage.
	Le tuyau d'évacuation est bouché.	<ul style="list-style-type: none"> Contactez un technicien de maintenance qualifié pour déboucher le tuyau d'évacuation.
	Le lave-vaisselle n'est pas utilisé quotidiennement ou de la vaisselle sale a été laissée trop longtemps dans l'appareil.	<ul style="list-style-type: none"> Placez un verre contenant 8 onces de vinaigre blanc à la verticale dans le panier inférieur du lave-vaisselle vide, puis lancez le programme Self Clean (Auto-nettoyage) (sans produit de lavage).
Le lave-vaisselle est trop bruyant.	Du bruit se produit lorsque le couvercle du réservoir est ouvert et lorsque la pompe de vidange fonctionne au début du cycle.	<ul style="list-style-type: none"> Ce phénomène est normal.
	Le lave-vaisselle n'est pas parfaitement stable.	<ul style="list-style-type: none"> Assurez-vous que le lave-vaisselle a été installé de niveau.
	Un objet étranger (une vis, une pièce en plastique) se trouve dans la cavité de la pompe.	<ul style="list-style-type: none"> Contactez un technicien de maintenance qualifié pour extraire l'objet étranger de la cavité de la pompe.
	Le bruit peut provenir d'un gicleur qui heurte la vaisselle.	<ul style="list-style-type: none"> Réorganisez la vaisselle.
Le gicleur ne tourne pas librement.	Les orifices des gicleurs sont bouchés par des particules d'aliments.	<ul style="list-style-type: none"> Nettoyez les orifices des gicleurs. (Reportez-vous à la page 42.)
	Un plat ou un chaudron empêche le gicleur de tourner.	<ul style="list-style-type: none"> Une fois la vaisselle en place dans les paniers, faites tourner les gicleurs manuellement pour vérifier qu'aucun obstacle ne se trouve dans leur champ de rotation.
L'eau ne s'évacue pas du lave-vaisselle.	L'évacuation est obstruée.	<ul style="list-style-type: none"> Nettoyez la pompe de vidange en retirant le cache de la pompe de vidange. (Reportez-vous en page 46.)

Dépannage

Problème	Cause possible	Solution
Le panier supérieur penche après chargement de la vaisselle.	La vaisselle n'est pas correctement répartie.	<ul style="list-style-type: none"> Chargez la vaisselle conformément aux instructions. (Reportez-vous en page 21.)
Impossible de fermer la porte.	Le mode Auto Release (Séchage Auto Release™) est en cours.	<ul style="list-style-type: none"> Une fois que la porte s'ouvre en mode Auto Release (Séchage Auto Release™), elle ne peut pas être fermée manuellement pendant les 2 prochaines minutes. Vous pouvez fermer la porte après 2 minutes.
Impossible de démarrer la fonction Smart Control (Commande intelligente).	L'enregistrement de l'appareil n'est pas terminé.	<ul style="list-style-type: none"> Terminez l'enregistrement de l'appareil. (Reportez-vous en page 37.)
	La porte n'a pas été fermée dans les 3 secondes qui ont suivi l'actionnement de la fonction Smart Control (Commande intelligente).	<ul style="list-style-type: none"> Poussez la porte fermement pour la fermer dans les 3 secondes qui suivent l'actionnement de la fonction Smart Control (Commande intelligente).

Codes d'information

Le tableau de commande affiche des codes d'information pour vous aider à comprendre l'état dans lequel se trouve votre lave-vaisselle.

Code	Action
LC	<p>Contrôle des fuites.</p> <ul style="list-style-type: none"> Si une fuite survient au niveau du raccordement de la vanne d'arrivée d'eau, fermez la vanne d'arrivée d'eau, allez vers le tableau électrique de votre habitation, coupez le disjoncteur du lave-vaisselle puis contactez l'installateur pour corriger le problème. <p>Si le problème persiste, prenez contact avec un centre de dépannage Samsung agréé.</p>
4C	<p>Contrôle de l'alimentation en eau.</p> <ul style="list-style-type: none"> Vérifiez si la vanne d'arrivée d'eau est fermée ou si l'arrivée d'eau est bloquée (vanne ou tuyau gelé(e) ou bouché(e) par des corps étrangers). <p>Si le problème persiste, fermez la vanne d'arrivée d'eau et prenez contact avec un centre de dépannage Samsung agréé.</p>

Code	Action
5C	<p>Contrôle de l'évacuation.</p> <ul style="list-style-type: none"> Après avoir fermé le robinet d'arrivée d'eau, vérifiez que le tuyau d'évacuation n'est pas obstrué ou plié. Vérifiez également si l'orifice de vidange à l'intérieur de la pompe n'est pas obstrué. <p>Si le problème persiste, prenez contact avec un centre de dépannage Samsung agréé.</p>
HC	<p>Contrôle du chauffage à haute température.</p> <ul style="list-style-type: none"> Contrôle fonctionnel. Avec le lave-vaisselle vide, ajoutez du produit de lavage puis lancez un programme. Si le problème persiste, allez vers le tableau électrique de votre habitation, désactivez l'interrupteur du disjoncteur de votre lave-vaisselle puis prenez contact avec un centre de dépannage Samsung agréé.
3C	<p>Contrôle du fonctionnement de la pompe.</p> <ul style="list-style-type: none"> Contrôle fonctionnel. Éteignez le lave-vaisselle et essayez de le redémarrer. <p>Si le problème persiste, prenez contact avec un centre de dépannage Samsung agréé.</p>
PC	<p>Contrôle de la fonction de lavage par zone.</p> <ul style="list-style-type: none"> Contrôle fonctionnel. Éteignez le lave-vaisselle et essayez de le redémarrer. <p>Si le problème persiste, prenez contact avec un centre de dépannage Samsung agréé.</p>
AP	<p>Connectez-vous avec votre smartphone.</p> <ul style="list-style-type: none"> Lorsque le tableau de commande affiche « AP » (Point d'accès), maintenez enfoncé le bouton Smart Control (Commande intelligente) du tableau de commande pour connecter le lave-vaisselle à votre smartphone. Lorsque vous sélectionnez Smart Control (Commande intelligente), le message « AP » (Point d'accès) clignote pendant 3 secondes. Lorsque vous accédez aux paramètres Wi-Fi pour configurer la connectivité, le tableau de commande affiche « AP » (Point d'accès).

Si un code non répertorié ci-dessus s'affiche, appelez le 1-800-SAMSUNG (726-7864).

Tableau des programmes

Programme		Auto (Automatique)	Normal	Heavy (Intensif)
Ordre d'affichage des programmes		Prélavage ► Lavage principal ► Rinçage ► Rinçage à chaud ► Séchage ► Fin	Prélavage ► Lavage principal ► Rinçage ► Rinçage à chaud ► Séchage ► Fin	Prélavage ► Lavage principal ► Rinçage ► Rinçage à chaud ► Séchage ► Fin
Temp [°F (°C)]	Lavage principal	122 à 140 (50 à 60)	113 à 144 (45 à 62)	149 (65)
	Rinçage à chaud * Sanitize (Assainissement) 163 °F (73 °C)	145 à 154 (63 à 68)	129 à 149 (54 à 65)	154 (68)
Consommation d'eau [gal (ℓ)]		4,1 à 5,3 (15,6 à 19,9)	2,5 à 5,7 (9,6 à 21,4)	5,6 (21,3)
Durée du programme (min)		110 à 136	130 à 148	155
Options disponibles	Lower Rack (Panier inférieur)	0	0	0
	Speed Booster (Accélérateur de vitesse)	0	0	0
	Zone Booster (Zone à jet puissant)	0	0	0
	Hi-Temp Wash (Lavage à haute température)	0	0	0
	Sanitize (Assainissement)	0	0	0
	Delay Start (Départ différé)	0	0	0

Programme		Delicate (Délicat)	Express 60	Rinse Only (Rinçage uniquement)
Ordre d'affichage des programmes		Prélavage ► Lavage principal ► Rinçage ► Rinçage à chaud ► Séchage ► Fin	Lavage principal ► Rinçage ► Rinçage à chaud ► Séchage ► Fin	Rinçage ► Fin
Temp [°F (°C)]	Lavage principal	122 (50)	126 (52)	
	Rinçage à chaud * Sanitize (Assainissement) 163 °F (73 °C)	149 (65)	140 (60)	104 (40)
Consommation d'eau [gal (ℓ)]		4,5 (17,0)	2,9 (11,1)	1,1 (4,1)
Durée du programme (min)		112	60	14
Options disponibles	Lower Rack (Panier inférieur)	0	0	0
	Speed Booster (Accélérateur de vitesse)	0	X	X
	Zone Booster (Zone à jet puissant)	X	0	X
	Hi-Temp Wash (Lavage à haute température)	X	0	X
	Sanitize (Assainissement)	X	0	X
	Delay Start (Départ différé)	0	0	0

- Lorsque vous sélectionnez le programme **Auto (Automatique)** ou **Normal**, le lancement des programmes **Prélavage** et **Rinçage** dépend du niveau de salissure sur la vaisselle.
- La consommation d'eau et le temps de lavage varient en fonction des étapes et options que vous ajoutez et de la pression et de la température de l'alimentation en eau.
- Lorsque le produit de rinçage est épuisé, le temps de lavage et la température du dernier rinçage peuvent légèrement augmenter.

Annexe

Protection de l'environnement

- Votre lave-vaisselle est fabriqué à partir de matériaux recyclables. Si vous décidez de vous en débarrasser, veuillez respecter la réglementation locale relative à l'élimination des déchets. Coupez le câble d'alimentation de manière à ce que l'appareil ne puisse plus être branché sur une source d'alimentation.
- Retirez la porte afin d'éviter que des enfants ou de petits animaux ne se fassent piéger à l'intérieur de la machine.
- Ne dépassez pas les quantités de produit de lavage recommandées par le fabricant du produit.

Caractéristiques techniques

MODÈLE	DW80R9950UG / DW80R9950US / DW80R9950UT	
Type	Lave-vaisselle encastrable	
Alimentation électrique	120 V/60 Hz, CA uniquement, disjoncteur 15 A	
Capacité de lavage	15 couverts	
Pression de l'eau	20 à 120 psi (140 à 830 kPa)	
Puissance nominale	Moteur de lavage	60 à 100 W
	Résistance chauffe-eau	1 100 W
Dimensions (Longueur × Profondeur × Hauteur)	23 $\frac{3}{8}$ x 25 x 33 $\frac{3}{8}$ po (605 x 636 x 860 mm)	
Poids (sans l'emballage)	90 lb (43 kg) [DW80R9950UG / DW80R9950US / DW80R9950UT]	

Garantie (États-Unis)

LAVE-VAISSELLE SAMSUNG

GARANTIE LIMITÉE POUR L'ACHETEUR INITIAL AVEC PREUVE D'ACHAT

Ce produit de la marque SAMSUNG, fourni, distribué par SAMSUNG ELECTRONICS, INC. (SAMSUNG) et livré neuf, dans son carton d'origine à l'acheteur et consommateur initial, s'accompagne d'une garantie de SAMSUNG contre tout vice de fabrication au niveau des pièces et de la main d'œuvre pendant une période limitée, commençant à la date d'achat initial, de :

Un (1) an (pièces et main d'œuvre)

Cinq (5) ans pour les pièces de mouvement linéaire*, la carte de circuit imprimé, les paniers, ainsi que la contre-porte et la cuve en acier inoxydable pour les fuites (pièces uniquement)

*Pièces de mouvement linéaire : moteur à courant alternatif d'entraînement de la courroie (moteur-réducteur), courroie de synchronisation en V, rail, rail support (avant en haut, avant en bas).

La présente garantie limitée ne s'applique qu'aux produits achetés et utilisés au sein des États-Unis et ayant été installés, utilisés et entretenus conformément aux instructions jointes ou fournies avec le produit. Pour se prévaloir du service de garantie, l'acheteur doit contacter SAMSUNG à l'adresse ou au numéro de téléphone fournis ci-dessous afin d'établir les procédures relatives au diagnostic et à l'intervention nécessaire. Pour être couverte par la garantie, la maintenance ne peut être effectuée que par un service technique agréé SAMSUNG. La facture datée et originale doit être présentée sur demande comme preuve d'achat à SAMSUNG ou au service technique agréé SAMSUNG pour pouvoir bénéficier du service de garantie.

SAMSUNG vous assure un service de réparation à domicile au sein des États-Unis contigus pendant la période de garantie et ce gratuitement, sous réserve de disponibilité des agents agréés du service technique SAMSUNG dans la zone géographique du client. Si le service de réparation à domicile n'est pas disponible, SAMSUNG peut organiser, à sa seule discrétion, le transport du produit vers ou depuis un centre technique agréé. Si le produit se trouve dans une zone où la réparation par un agent agréé du service technique SAMSUNG n'est pas disponible, il se peut que vous deviez vous acquitter de frais de transport ou apporter le produit dans un service technique agréé SAMSUNG pour faire la réparation.

Pour en bénéficier, vous devez veiller à ce que le produit soit accessible pour l'agent de maintenance.

Pendant la période de garantie applicable, le produit sera réparé, remplacé ou remboursé à la valeur de son prix d'achat, à la seule discrétion de SAMSUNG. SAMSUNG peut être amenée à utiliser des pièces neuves ou reconditionnées lors de la réparation du produit, ou à remplacer le produit par un produit neuf ou reconditionné. Les pièces et produits de rechange sont garantis pendant la partie restante de la garantie initiale du produit ou alors pendant quatre-vingt-dix (90) jours, selon la période qui est la plus longue. Toute pièce ou tout produit remplacé devient la propriété de SAMSUNG et vous devez les restituer à SAMSUNG.

Garantie (États-Unis)

La présente garantie limitée couvre les défauts de fabrication au niveau des pièces et de la main-d'œuvre survenant dans le cadre d'un usage domestique normal, non commercial de ce produit et ne couvre pas les situations suivantes : dommages survenant au cours de l'expédition, la livraison, l'installation et l'utilisation de l'appareil qui serait contraire au but auquel il était destiné ; dommages causés par une modification ou altération non autorisée du produit ; produits dont le numéro de série initial apposé en usine a été effacé, déformé, modifié d'une quelconque façon ou est illisible ; dommages de nature esthétique notamment les rayures, piqûres, éclats et autres dommages sur la finition du produit ; dommages causés par un abus, un usage inapproprié, des infestations d'insectes, un accident, un incendie, des inondations, ou d'autres catastrophes naturelles ; dommages causés par l'utilisation de matériel, utilitaires, services, pièces, fournitures, accessoires, applications, installations, réparations, câblage externe ou connecteurs non fournis ou non autorisés par SAMSUNG ; dommages causés par un courant de phase ou une tension électrique incorrect(e), des fluctuations et surtensions ; dommages causés par le non-respect des instructions d'utilisation et de maintenance du produit ; instructions à domicile sur la bonne utilisation de votre produit ; et interventions visant à corriger une installation qui n'est pas conforme aux normes d'électricité et de plomberie ou à corriger les raccordements électriques ou de plomberie du domicile (c.-à-d. câblage du domicile, fusibles, ou tuyaux d'arrivée d'eau).

Le coût des réparations ou du remplacement dans de telles circonstances exclues sera à la charge au client.

Les interventions effectuées par un agent d'entretien agréé dans le but d'expliquer les fonctions de l'appareil ou les procédures de maintenance ou d'installation ne sont pas couvertes par la présente garantie limitée. Veuillez communiquer avec SAMSUNG en composant le numéro indiqué ci-dessous pour obtenir de l'aide si vous rencontrez l'un de ces problèmes.

EXCLUSION DE GARANTIES IMPLICITES

LES GARANTIES IMPLICITES, Y COMPRIS LES GARANTIES IMPLICITES DE QUALITÉ MARCHANDE OU D'APTITUDE À UN USAGE PARTICULIER, SONT LIMITÉES À UN AN OU À LA PLUS COURTE PÉRIODE AUTORISÉE PAR LA LOI. Certains États et certaines juridictions n'autorisent pas de limitations quant à la durée des garanties implicites ; il se peut par conséquent que les limitations et exclusions énoncées ci-dessus ne s'appliquent pas à votre cas. Cette garantie vous confère des droits spécifiques ; il est donc possible que vous bénéficiiez d'autres droits qui varieront d'une juridiction à une autre.

LIMITATION DE RECOURS

VOTRE SEUL ET EXCLUSIF RECOURS EST LA RÉPARATION DU PRODUIT, LE REMPLACEMENT DU PRODUIT, OU LE REMBOURSEMENT DE SON PRIX D'ACHAT À LA SEULE DISCRÉTION DE SAMSUNG, COMME PROPOSÉ DANS LA PRÉSENTE GARANTIE LIMITÉE. SAMSUNG NE SAURA ÊTRE TENU RESPONSABLE EN CAS DE DOMMAGES ACCESSOIRES, INDIRECTS OU SPÉCIAUX, NOTAMMENT MAIS SANS POUR AUTANT S'Y LIMITER LE TEMPS PRIS SUR LE TRAVAIL, LES FRAIS D'HÔTELS ET/OU REPAS EN RESTAURANT, LES DÉPENSES DE RÉNOVATION, LA PERTE DE BÉNÉFICES, DE REVENUS OU DE FONDS COMMERCIAL OU L'IMPOSSIBILITÉ DE RÉALISER LES ÉCONOMIES ESCOMPTÉES, QUELLE QUE SOIT LA BASE JURIDIQUE INVOQUÉE POUR JUSTIFIER L'ASSERTION, ET MÊME SI SAMSUNG A ÉTÉ AVISÉ DE LA POSSIBILITÉ DE TELS DOMMAGES. Certains États et certaines juridictions n'autorisent pas l'exclusion ou les limitations pour dommages accessoires ou indirects. Il est donc possible que les limitations ou exclusions ci-dessus ne s'appliquent pas à votre cas. Cette garantie vous confère des droits spécifiques ; il est donc possible que vous bénéficiiez d'autres droits qui varieront d'une juridiction à une autre.

SAMSUNG ne garantit pas un fonctionnement continu ou sans erreur de ce produit. Samsung ne sera tenu d'honorer aucune autre garantie donnée par toute autre personne, firme ou société en regard de ce produit.

Pour bénéficier d'un service d'assistance couvert par votre garantie, contactez SAMSUNG à l'adresse suivante :

Aux États-Unis

Samsung Electronics America, Inc.

85 Challenger Road

Ridgefield Park, NJ 07660

1-800-SAMSUNG (726-7864)

www.samsung.com/us/support



Scan the QR code* or visit
www.samsung.com/spsn
 to view our helpful
 How-to Videos and Live Shows

*Requires reader to be installed on your smartphone

bit.ly/samsungdishwashers

UNE QUESTION ? UN COMMENTAIRE ?

PAYS	N° de téléphone	SITE INTERNET
U.S.A	1-800-SAMSUNG (726-7864) 1-844-SAM-PAYS (726-7297)	www.samsung.com/us/support
CANADA	1-800-SAMSUNG (726-7864) 1-844-SAM-PAYS (726-7297)	www.samsung.com/ca/support (English) www.samsung.com/ca_fr/support (French)



DD68-00209B-00