

Convection Speed Oven 24"

Series 9 | Minimal

Black

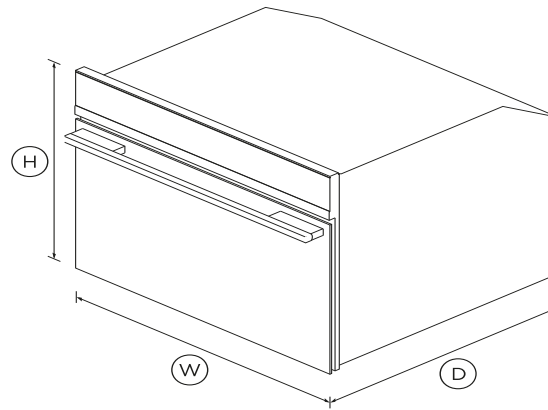


The perfect addition to the kitchen, this Convection Speed Oven provides a variety of fast cooking options including True Convection and Broil.

- 1.3 cu ft total capacity
- Intuitive display with nine oven functions
- Full width grill function
- Easy clean interior

DIMENSIONS

| | |
|--------|-----------|
| Height | 18 1/16 " |
| Width | 23 1/2 " |
| Depth | 22 1/8 " |



FEATURES & BENEFITS

Sized to suit

This compact 24" Convection Speed Oven can be placed almost anywhere. Companion products share the same dimensions and can be installed in multiple configurations to suit your kitchen design and preference.

Cooking flexibility

Choose from nine cooking modes including True Convection and Broil. With both microwave and convection oven technology in the same oven, you have more flexibility for your culinary creations.

Easy to use

The intuitive touch display shows you all the information you

need, allowing you to easily program in your desired cooking mode and duration.

Beauty of choice

With the choice of a stylish stainless steel or elegant black trim, our Companion products help you achieve a coherent kitchen aesthetic that suits your design style.

Easy cleaning

This Convection Speed Oven has formed side racks and a stainless steel interior that are easy to clean.

Safe and sound

The CoolTouch door is safe to touch from the outside, protecting your hands and the surrounding cabinetry.

SPECIFICATIONS

Accessories

| | |
|-------------------------|-------------------|
| Baking pan | • |
| Glass turntable | • |
| Optional 30" trim kit | Part 81939 |
| Optional lower trim kit | Part 81662 |
| Turntable wire stand | • |
| Wire shelf | • |

Capacity

| | |
|-----------------|------------------|
| Shelf positions | 3 |
| Total capacity | 1.3 cu ft |
| Usable capacity | 1.2 cu ft |

Cleaning

| | |
|----------------------------|---|
| Easy clean stainless steel | • |
| Easy to clean formed side | • |

ConsumptionMicrowave energy **1.65kWh****Controls**

- Audio feedback •
- Automatic cooking/minute •
- Celsius/Fahrenheit •
- Electronic capacitive touch •
- High resolution touch display •
- Interior light **25W halogen**
- Intuitive information display •
- Multi-language interface •
- Precise electronic temperature •
- Recipe and food based •

Functions

- Broil •
- Convection Broil •
- Defrost by time •
- Defrost by weight •
- Microwave + broil •
- Microwave + ring •
- Microwave cooking •
- Number of functions **9**
- Ring + broil •
- True convection •

PerformanceBroil power **1500W**

| | |
|------------------------|--------------|
| Fan Element Power | 1500W |
| Microwave power | 900W |
| Microwave power levels | 6 |

Power requirements

| | |
|------------------|--------------------|
| Amperage | 15A |
| Supply frequency | 60Hz |
| Supply voltage | 208V - 240V |

Product dimensions

| | |
|--------|------------------|
| Depth | 22 1/8 " |
| Height | 18 1/16 " |
| Width | 23 1/2 " |

Safety

- Control panel key lock •
- CoolTouch door •

SKU **81926**

The product dimensions and specifications in this page apply to the specific product and model. Under our policy of continuous improvement, these dimensions and specifications may change at any time. You should therefore check with Fisher & Paykel's Customer Care Centre to ensure this page correctly describes the model currently available. © Fisher & Paykel Appliances Ltd 2019.

Other product downloads available at fisherpaykel.com

User Guide



Guide D'Utilisation



Service & Warranty Booklet



Installation Guide

**A PEACE OF MIND SALE****24 Hours 7 Days a Week Customer Support****T 1300 650 590 W www.fisherpaykel.com**