

Over the Range Microwave, 30"

Series 5 | contemporary

Stainless Steel

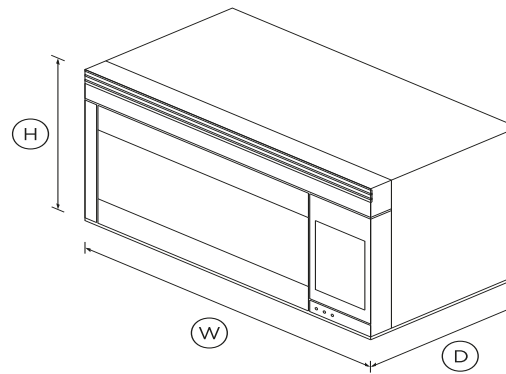


Pair the flexibility of convection and microwave cooking with a powerful ventilation fan for above your range.

- 12 cooking modes including Defrost, Popcorn and Reheat
- Powerful fan, and hood light
- Easy clean removable carousel

DIMENSIONS

Height	16 ¹¹ / ₃₂ "
Width	30 "
Depth	15 ⁹ / ₃₂ "



Depth	15 ⁹ / ₃₂ "
Height	16 ¹¹ / ₃₂ "
Width	30 "

SKU 70904

The product dimensions and specifications in this page apply to the specific product and model. Under our policy of continuous improvement, these dimensions and specifications may change at any time. You should therefore check with Fisher & Paykel's Customer Care Centre to ensure this page correctly describes the model currently available. Â© Fisher & Paykel Appliances Ltd 2019.

SPECIFICATIONS

Functions

Popcorn •

Power requirements

Supply frequency	60Hz
Supply voltage	120V

Product dimensions

Other product downloads available at fisherpaykel.com



User Guide



Service & Warranty Booklet



Guide D'Utilisation



Installation Guide



A PEACE OF MIND SALE

24 Hours 7 Days a Week Customer Support

T 1300 650 590 **W** www.fisherpaykel.com