

FRIGIDAIRE GALLERY

**GCRI305CAD
GCRI305CAF**

Induction Ranges

Available Colors : Black Stainless Steel, Stainless Steel

30" Freestanding Induction Range with Air Fry

Version : 03/20



Product Specifications

Dimensions: Exterior

Depth	25-3/4"
Depth (with Door 90° Open)	48-5/8"
Depth Including Handle	29-1/4"
Height	35-7/8" - 36-1/8"
Width	29-7/8"

Cooking Controls

Air Fry	Yes
Bake	Yes
Broil	Broil Variable (400 - 550°F)
Cancel	Yes
Convection Bake	Yes
Convection Conversion	Yes
Convection Roast	Yes
Delay Bake	Yes
Delay Clean	Yes
Door Lock	Yes
Keep Warm	Yes
Lockout	Yes
Quick Preheat	Yes
Self-Clean	2-3 Hours
Set Clock	Yes
Start Button	Yes
Timer	Yes
Control Lock	Yes

Oven

Bake	3500 Watts
Broil	3900 Watts
Broil System	Vari-Broil™ High/Low
Oven 1 Convection System	True Convection - 900 Watts
Hidden Bake Element	Yes
Oven 1 Interior Color	Slate Blue
Oven 1 Interior Depth	19-1/8"
Oven 1 Interior Height	19-3/4"
Oven 1 Interior Width	24-3/8"
Oven 1 Rack Configuration	3 - Handle Rack
Oven 1 Rack Positions	7 Positions
Oven 1 Type	Self Clean w/Steam Clean Option
Oven 1 Window	Extra-Large Visualite®

Cooktop

Cooking Surface	Black Ceramic Glass
Hot-Surface Indicator Light	1 Clear
Left Front	7" Element - 2800 Watts
Left Rear	7" Element - 2800 Watts
Right Front	8.3" Element - 3600 Watts
Right Rear	5.5" Element - 2500 Watts

Electrical Specifications

Minimum Circuit Required (Amps)	40A
Voltage Rating	240V / 208V 60Hz

Exterior

Cooktop Finish	Color-Coordinated Porcelain
Drawer Finish	Color-Coordinated Metal
Exterior Finish	Painted

Drawer

Drawer Functionality	Storage
----------------------	---------

General Specifications

Adjustable Leveling Legs	4 Adjustable
Prop 65 Label	Yes

Capacities

Oven 1 Capacity	5.4
Total Capacity	5.4

Note: For planning purposes only. Always consult local and national electric, gas and plumbing codes. Refer to Product Installation Guide for detailed installation instructions on the web at frigidaire.com/frigidaire.ca.

Specifications subject to change. Accessories: Information available on the web at frigidaire.com/frigidaire.ca

FRIGIDAIRE

USA • 10200 David Taylor Drive • Charlotte, NC 28262 • 1-800-FRIGIDAIRE • frigidaire.com
CANADA • 5855 Terry Fox Way • Mississauga, ON L5V 3E4 • 1-800-265-8352 • frigidaire.ca

FRIGIDAIRE GALLERY

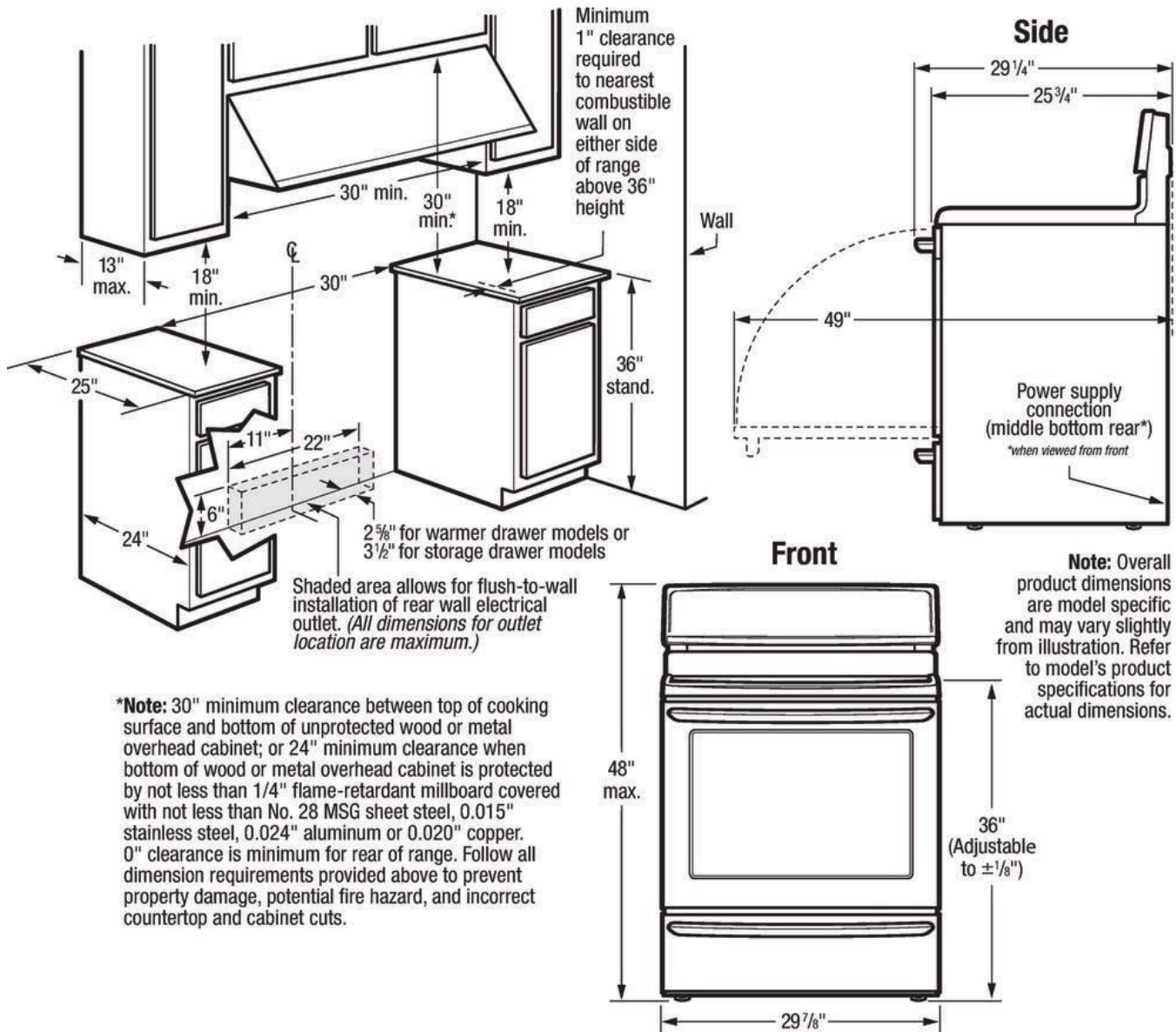
GCRI305CAD
GCRI305CAF

Available Colors : Black Stainless Steel, Stainless Steel

30" Freestanding Induction Range with Air Fry

Version : 03/20

Installation Drawing



***Note:** 30" minimum clearance between top of cooking surface and bottom of unprotected wood or metal overhead cabinet; or 24" minimum clearance when bottom of wood or metal overhead cabinet is protected by not less than 1/4" flame-retardant millboard covered with not less than No. 28 MSG sheet steel, 0.015" stainless steel, 0.024" aluminum or 0.020" copper. 0" clearance is minimum for rear of range. Follow all dimension requirements provided above to prevent property damage, potential fire hazard, and incorrect countertop and cabinet cuts.

Note: For planning purposes only. Always consult local and national electric, gas and plumbing codes. Refer to Product Installation Guide for detailed installation instructions on the web at frigidaire.com/frigidaire.ca. Specifications subject to change. Accessories information available on the web at frigidaire.com/frigidaire.ca

FRIGIDAIRE

USA • 10200 David Taylor Drive • Charlotte, NC 28262 • 1-800-FRIGIDAIRE • frigidaire.com
CANADA • 5855 Terry Fox Way • Mississauga, ON L5V 3E4 • 1-800-265-8352 • frigidaire.ca