

SERVICE DATA SHEET

Electric Range with ES 5021 Electronic Oven Controls and Induction Smoothtop

FICHE TECHNIQUE DE SERVICE

Cuisinière électrique avec commandes de four électroniques ES 5021 et induction Smoothtop

NOTICE - This service data sheet is intended for use by persons having electrical and mechanical training and a level of knowledge of these subjects generally considered acceptable in the appliance repair trade. The manufacturer cannot be responsible, nor assume any liability for injury or damage of any kind arising from the use of this data sheet.

SAFE SERVICING PRACTICES

To avoid the possibility of personal injury and/or property damage, it is important that safe servicing practices be observed. The following are examples, but without limitation, of such practices.

- Before servicing or moving an appliance remove power cord from electrical outlet, trip circuit breaker to OFF, or remove fuse.
- Never interfere with the proper installation of any safety device.
- GROUNDING:** The standard color coding for safety ground wires is **GREEN** or **GREEN WITH YELLOW STRIPES**. Ground leads are not to be used as current carrying conductors. It is **extremely important** that the **service technician reestablish all safety grounds prior to completion of service. Failure to do so will create a potential safety hazard.**
 - Prior to returning the product to service, ensure that:
 - All electric connections are correct and secure.
 - All electrical leads are properly dressed and secured away from sharp edges, high-temperature components, and moving parts.
 - All uninsulated electrical terminals, connectors, heaters, etc. are adequately spaced away from all metal parts and panels.
 - All safety grounds (both internal and external) are correctly and securely reassembled.

Oven Calibration

Set the electronic oven control for normal baking at 350°F. Obtain an average oven temperature after a minimum of 5 cycles. Press **Stop**, **Clear**, **Off** or **Cancel** to end Bake mode.

Temperature Adjustment

- Set EOC to bake at 550°F.
- Within 5 seconds of setting 550°F, press and hold the bake pad for approximately 15 seconds until a single beep sounds (longer may cause F11 shorted keypad alarm).
- Calibration offset should appear in the display.
- Use the slew keys to adjust the oven temperature up or down 35°F in 5°F increments.
- Once the desired (-35° to 35°) offset has been applied, Press **Stop**, **Clear**, **Off** or **Cancel**.

Note: Changing calibration affects normal Bake mode. The adjustments made will not change the Self-Cleaning cycle temperature.

Modular Control Systems

This appliance is equipped with a modular system of controls. The modular system consists of various boards which communicate with one another to drive cooking functions. Oven functions, if available, operate through an oven user interface (UI or UIB) and an oven relay board. Cooktop functions, if available, operate through a cooktop UI/UIB and a cooktop relay board. There may be additional boards which work within the system to drive specific functions (refer to the schematics and diagrams and this sheet). Low voltage operating and communications power for the modular boards is provided through the wiring schemes. The boards that generate low voltage operating and communications power depend upon the individual control system (refer to the schematics and diagrams on this sheet). These voltages are only the operational voltages. Do not use these voltages as confirmation of communication between the boards. Communication occurs through software programming on each board. This communication is not detectable by volt ohmmeters. The programming is self-monitored and the UI displays will show error codes based on detected failures. The individual boards are not field repairable. See the schematics and diagrams included on this sheet for more unit-specific details.

AVIS - Cette fiche de réparation est destinée à des personnes possédant une formation en mécanique et en électricité ainsi qu'un niveau de connaissance de ces domaines jugé généralement acceptable dans le secteur de la réparation. Le fabricant ne peut être tenu responsable des blessures ou de dommages que l'utilisation de cette fiche pourrait entraîner.

PROCÉDURES DE RÉPARATION ET D'ENTRETIEN SÉCURITAIRES

Pour éviter les risques de blessures corporelles et/ou de dommages matériels, il est important de respecter les procédures de réparation d'entretien et les mesures de sécurité. La section suivante présente quelques exemples de procédures sécuritaires.

- Avant de réparer ou de déplacer l'appareil, débranchez-le, mettez le disjoncteur du circuit à la position OFF (arrêt) ou enlevez le fusible.
- Ne modifiez jamais l'installation d'un dispositif de sécurité.
- MISE À LA TERRE :** Le code de couleur standard des fils de mise à la terre est VERT ou VERT RAYÉ JAUNE. Les fils de mise à la terre ne doivent pas être utilisés comme fils de transport. Il est **extrêmement important** que le technicien en entretien rétablisse toutes les prises de terre de sécurité **avant d'effectuer la réparation. Le non-respect de cette consigne peut entraîner un risque d'accident.**
 - Avant de remettre l'appareil en service, assurez-vous que:
 - Toutes les connexions électriques sont en bon état et sécuritaires.
 - Tous les conducteurs sont couverts et à l'abri de rebords coupants, de composants qui atteignent de hautes températures et de pièces mobiles.
 - Tous les éléments chauffants, connecteurs, bornes non isolées, etc. sont à une distance adéquate de tout panneau ou pièce métallique.
 - Toutes les prises de terre de sécurité (à l'intérieur de l'appareil et à l'extérieur) ont été correctement remises en place.

Étalonnage du four

Réglez le régulateur électronique de four pour une cuisson normale à 177 °C (350 °F). Vous devez obtenir une température moyenne de four après 5 cycles. Appuyez sur la touche **Stop** (arrêt), **Clear** (annuler), **Off** (arrêt) ou **Cancel** (annuler) pour arrêter la cuisson au four.

Réglage de la température

- Réglez le régulateur pour une cuisson à 288 °C (550 °F).
- Dans les 5 secondes suivant le réglage 288 °C (550 °F), appuyez sur la touche de cuisson et maintenez-la enfoncée pendant environ 15 secondes jusqu'à ce que vous entendiez un bip (la maintenance enfoncée plus longtemps pourrait faire retentir l'alarme de court-circuit du clavier F11).
- L'écart d'étalonnage devrait s'afficher.
- Utilisez les clés à incrément pour augmenter ou diminuer la température du four de 19 °C (35 °F) par intervalles de 3 °C (5 °F).
- Une fois que l'écart désiré est réglé (-37 à 2 °C/-35 à 35 °F), appuyez sur **Stop** (arrêt), **Clear** (annuler), **Off** (arrêt) ou **Cancel** (annuler).

Note: Changing calibration affects normal Bake mode. The adjustments made will not change the Self-Cleaning cycle temperature.

Systèmes de commandes modulaires

Cet appareil est muni d'un système de commande modulaire. Ce système est composé de diverses cartes qui communiquent entre elles pour contrôler les fonctions de cuisson. Les fonctions du four, si disponibles, sont opérées par l'entremise de l'interface utilisateur du four (UI ou UIB) et de la carte relais du four. Les fonctions de la table de cuisson, si disponibles, sont opérées par l'entremise de l'interface UI/UIB de la table de cuisson et de carte relais de la table de cuisson. Le système de commande de l'appareil peut également être muni de cartes additionnelles conçues pour contrôler des fonctions spécifiques (reportez-vous aux schémas et aux diagrammes de cette fiche). L'alimentation du fonctionnement à basse tension et des communications des cartes modulaires est fournie par les schémas de câblage. Les cartes qui génèrent une puissance de fonctionnement et de communications de basse tension dépendent du système de commande individuel (se reporter aux schémas et diagrammes de cette fiche). Ces tensions ne sont que les tensions opérationnelles. N'utilisez pas ces tensions comme une confirmation de communication entre les cartes. La communication est réalisée par programmation logicielle sur chaque carte. Cette communication n'est pas détectable par des multimètres. La programmation est dotée d'un système d'auto-surveillance et les affichages de l'interface utilisateur afficheront des codes d'erreur basés sur les défaillances détectées. Les cartes ne sont pas réparables sur place. Reportez-vous aux schémas et aux diagrammes inclus sur cette fiche pour obtenir plus de détails sur les différentes cartes.

Electronic Surface Element Control (ESEC)

This range is equipped with an Electronic Surface Element Control (ESEC), which precisely controls the smoothtop cooking elements at multiple settings. For the user, the elements are operated by pressing the touch pads located on the control panel for the desired settings. The control settings are shown in 1-digit displays.

Hot Surface indication - If any of the induction elements are hot, a hot surface light will remain ON until the cooktop cools.

ESEC lockout feature - The electronic oven control's self-clean and Control Lockout features will not operate when a surface element is ON. Conversely, the surface elements controlled by the ESEC will not operate when an oven control self-clean or Control Lockout mode is active. When the oven control is in a self-clean or Control Lockout mode, a lock icon will appear in the oven control display to signify that the surface heating elements are locked out.

ESEC system components

The ESEC system consists of the following components:

ES5021 oven/cooktop control (EOC) - circuit boards mounted in plastic chassis.

Induction control assembly - circuit boards in plastic housings mounted under the cooktop on a metal tray with four screws.

Notes on replacing parts

Replacing an induction generator board - When replacing an induction generator board under the cooktop, do not over-tighten the 2 screws that secure each board to the range. Over-tightening the screws can damage the plastic housings holding the circuit boards.

Replacing an induction element

Ensure correct coil location.

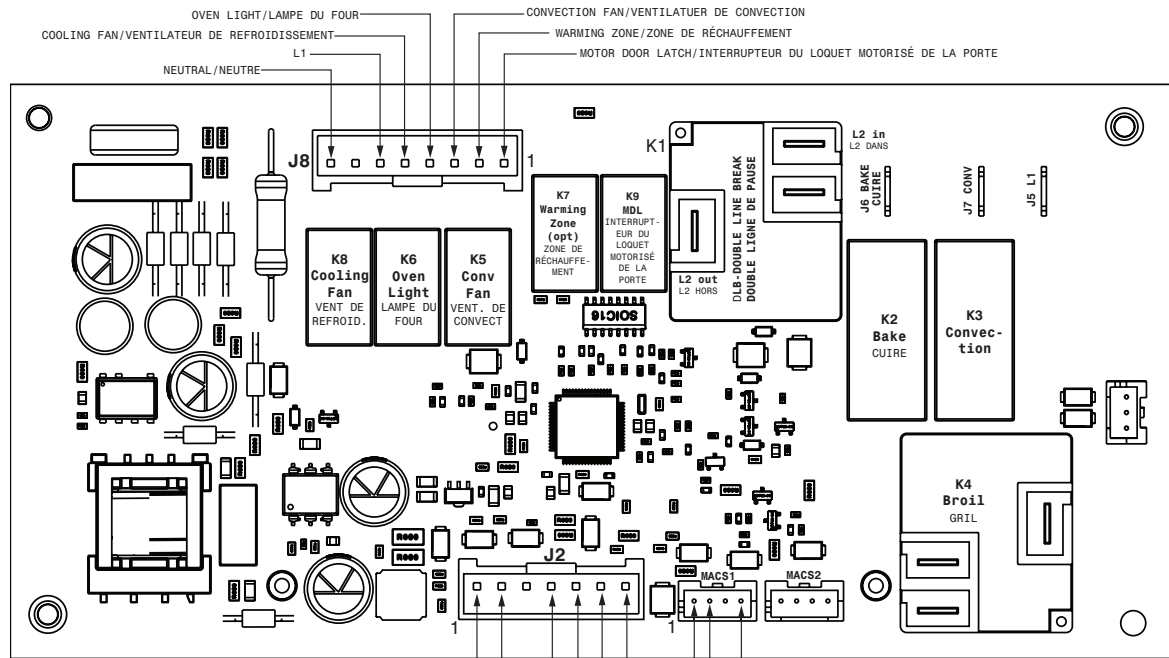
Error notification in an induction system

Induction related alarms are displayed using all 4 displays of the user interface. The Rear Left display is used to notify the user that the message being displayed is an error and is represented with an "E" in the display. The Front Left display is used to show which induction generator board is generating the error.

- The Front Left display showing "1" above indicates that the left generator board is producing the error. If display shows a "2", this indicates that the right generator board is producing the error. If display shows a "0", this indicates that the issue was generated by the cooktop control and not the induction generator.
- The Front Right and Rear Right displays display the actual error. An example of a stuck cooling fan on the left induction generator board (E164) is shown above.

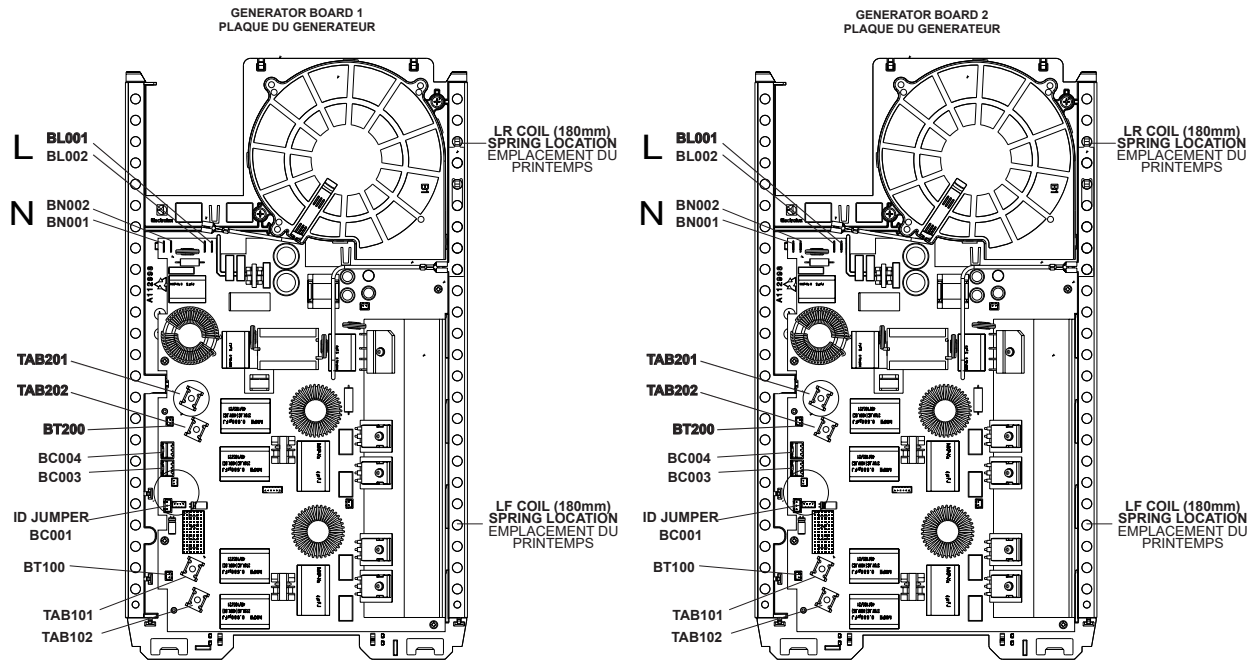
Replacing the ES5021 control* - When replacing the oven/cooktop control in the backguard, DO NOT over tighten the screws that secure it. Upper and lower support brackets should be reinstalled.

*** Please note:** Electronic boards are very sensitive to static electricity. Static electricity can permanently damage electronic boards. Before handling these parts, be sure to drain static electricity from your body by properly grounding yourself.



RTD SCALE	
Temperature °F (°C)	Resistance (ohms)
32 ± 1.9 (0 ± 1.0)	1000 ± 4.0
75 ± 2.5 (24 ± 1.3)	1091 ± 5.3
250 ± 4.4 (121 ± 2.4)	1453 ± 8.9
350 ± 5.4 (177 ± 3.0)	1654 ± 10.8
450 ± 6.9 (232 ± 3.8)	1852 ± 13.5
550 ± 8.2 (288 ± 4.5)	2047 ± 15.8
650 ± 9.6 (343 ± 5.3)	2237 ± 18.5
900 ± 13.6 (482 ± 7.5)	2697 ± 24.4
Probe circuit to case ground / Open circuit/infinite resistance	

ÉCHELLE DU DÉTECTEUR DE TEMPÉRATURE À RÉSISTANCE	
Température °F (°C)	Résistance (ohms)
32 ± 1,9 (0 ± 1,0)	1 000 ± 4,0
75 ± 2,5 (24 ± 1,3)	1 091 ± 5,3
250 ± 4,4 (121 ± 2,4)	1 453 ± 8,9
350 ± 5,4 (177 ± 3,0)	1 654 ± 10,8
450 ± 6,9 (232 ± 3,8)	1 852 ± 13,5
550 ± 8,2 (288 ± 4,5)	2 047 ± 15,8
650 ± 9,6 (343 ± 5,3)	2 237 ± 18,5
900 ± 13,6 (482 ± 7,5)	2 697 ± 24,4
Circuit de la sonde mise à la terre à la caisse / Circuit ouvert/résistance infinie	



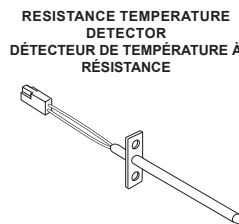
Displayed Power Level Niveau de puissance affiché	Power Level % Niveau d'énergie
L	4.0
2	12.0
3	17.0
4	19.0
5	21.0
6	31.0
7	45.0
8	54.0
9	64.0
H	100.0
P	156

CIRCUIT ANALYSIS MATRIX MATRICE D'ANALYSE DE CIRCUIT	EOC RELAYS/ RELAIS DES EOC							DOOR SWITCH COM-NO COMMUTEUR DE PORTE COM-NO	MDL INTERRUPTEUR DE VERROUILLAGE DE TIROR DE CHAUFFE MDL (certains modèles)	COOKTOP LOCKOUT (some models) VERROUILLAGE DE LA TABLE DE CUISSON (certains modèles)
	L1 TO BAKE L1 à CUIRE	L1 TO BROIL L1 à BROIL	L1 TO CONV L1 à CONV	L1 TO MOTOR DOOR LATCH VERROU DE PORTE DE MOTEUR L1	L1 TO CONV FAN VENTILATEUR DE CUISSON L1 à CONV	L1 TO CONV INDICATOR LIGHT INDICATEUR DE CUISSON L1 à CONV / VITESSE				
BAKE/ CUIRE	X	X*	X							
CONV/ CUVE CONV	X	X*	X		X	X				
BROIL/ GRIL		X	X						X	
CLEAN/ NETTOYER	X	X	X						X	
UNLOCKED/ DÉVERROUILLÉ										
LOCKING/ VERROUILLAGE				X						
LOCKED/ FERMÉ										
UNLOCKING/ DÉVERROUILLAGE				X						
DOOR OPEN/ PORTE OUVERTE										
DOOR CLOSED/ PORTE FERMÉE							X			
COOKTOP ACTIVE/ TABLE DE CUISSON ACTIVE										X

NOTE: X= Check active circuits *=Alternates with bake element REMARQUE: X = Vérifier les circuits actifs * = Alternier avec élément de cuisson

IMPORTANT
DO NOT REMOVE THIS BAG
OR DESTROY THE CONTENTS
WIRING DIAGRAMS AND SERVICE
INFORMATION ENCLOSED
REPLACE CONTENTS IN BAG

IMPORTANT
N'ENLEVEZ PAS CE SAC OU NE
DÉTRUISEZ PAS SON CONTENU
CONTIENT LES SCHÉMAS DE CÂBLAGE ET
LES INFORMATIONS DE RÉPARATION
REMETTRE LE CONTENU
DANS LE SAC



Tech Sheet Abbreviations and Terminology			
EOC = Electronic Oven Control	ESEC = Electronic Surface Element Control	TST = Touch Sensor Technology (touch control glass panel)	
UIB = User Interface Board	TSEC = Touch Sensor Electronic Control	RTD = Resistance Temperature Device. (Temp Probe or Temp Sensor)	
VSC = Variable Speed Control	PS = Power Supply board (PS1, PS2, etc.)	TCO = Thermal Cut Out also "Thermo Disc" or "Thermal Limiter"	

Electronic Oven Control Fault Code Descriptions		
Fault Code	Likely Failure Condition/Cause	Suggested Corrective Action
F001, F002, F004, F005	Touch failure	1. Disconnect power, wait 30 seconds and reapply power. If fault returns upon power-up replace the Oven User Interface board.
F003	The oven user interface board is incorrectly configured.	1. Replace the oven user interface board. Make sure you install the latest revision available for this model.
F010	Oven temperature runaway: the cavity temperature has been detected in excess of the maximum safe operating temperature.	1. If oven is overheating, disconnect power. Check oven temperature probe (RTD) and replace if necessary. 2. If the oven temperature probe is good and if oven continues to overheat when power is reapplied, replace the oven relay board.
F011	Stuck key: a key has been detected has pressed continuously for 30 seconds or more.	1. If a key was pressed inadvertently for a long time this error code will be displayed. Make sure there is nothing (water, utensils) in contact with the keyboard. The fault code should go away once the key is released and the Stop key is pressed. If the F011 error comes back when a key is pressed it means the error condition is still there. If the F011 error does not come back it means the error condition is gone and the oven can be used. 2. If the fault code cannot be cleared, the board/springs alignment within the mechanical enclosure maybe affected. Reinstall the board within the enclosure. 3. If reinstalling the board did not fix the problem replace the oven user interface board.
F012	Keyboard configuration alarm: the oven user interface board received from the touch micro a key code that does not match the key map.	1. Verify the unit has the proper configuration is loaded, based on the model number and parts catalog. 2. Replace the oven user interface board if the problem persists.
F013	Data written to non-volatile memory has failed verification	1. Disconnect power, wait 30 seconds and reapply power. If fault returns upon power-up replace the oven user interface.
F015	Keyboard Error	1. Disconnect power, wait 30 seconds and reapply power. If fault returns upon power-up replace the oven user interface board.
F017	The oven user interface board is unable to configure the touch.	1. Disconnect power to the unit, wait 30 seconds, then reapply power. 2. Verify the unit has the proper oven user interface board and configuration, based on the model number and parts catalog. 3. If fault persists, replace the oven user interface.
F018	Oven relay board failure (wiggler)	1. Replace the oven relay board.
F019	The oven user interface board is unable to configure the oven relay board	1. Disconnect power to the unit, wait 30 seconds, then reapply power. 2. If fault returns, verify connection between the oven user interface board and the oven relay board (MACS1 or MACS2 connector). 3. Verify the unit has the proper oven user interface board and oven relay board, based on the model number and parts catalog. 4. If fault persists, replace oven user interface board. 5. If fault persists, replace the relay board.
F020	Communication failure between the oven user interface board and the Hob user interface	1. Disconnect power, wait 30 seconds and reapply power. Check if error condition is still there. 2. Test wiring harness between oven user interface board and Hob user interface (connector MACS1 or MACS2). 3. If wiring harness is good replace oven relay board. 4. If the problem persists replace the oven user interface.
F022	Communication failure between the oven user interface board and the oven relay board	1. Disconnect power, wait 30 seconds and reapply power. Check if error condition is still there. 2. Test wiring harness between oven user interface board and oven relay board (connector MACS1 or MACS2). 3. If wiring harness is good replace oven relay board. 4. If the problem persists replace the oven user interface.
F023	Communication failure between the oven user interface micro and the touch micro	1. Disconnect power, wait 30 seconds and reapply power. Check if error condition is still there. 2. If the problem persists replace the oven user interface.
F025, F027	The communication between the oven user interface and the oven relay board cannot be initiated.	1. Disconnect power to the unit, wait 30 seconds, then reapply power. 2. If fault returns, verify connection between the oven user interface board and the oven relay board (MACS1 or MACS2 connector). 3. Verify the unit has the proper oven user interface board and oven relay board, based on the model number and parts catalog. 4. If fault persists, replace relay board. 5. If fault persists, replace the oven user interface board.
F028, F029	The communication between the oven user interface micro and the touch micro cannot be initiated.	1. Disconnect power to the unit, wait 30 seconds, then reapply power. 2. Verify the unit has the proper oven user interface board and configuration, based on the model number and parts catalog. 3. If fault persists, replace the oven user interface.
F030	Open oven temperature sensor (RTD)	1. Check probe circuit wiring for possible open or short condition. 2. Verify RTD resistance at room temperature (compare to probe resistance chart). If resistance does not match the chart, replace the RTD probe. 3. If the problem persists replace the oven relay board.
F031	Shorted oven temperature probe (RTD)	1. Check probe circuit wiring for possible open or short condition. 2. Verify RTD resistance at room temperature (compare to probe resistance chart). If resistance does not match the chart, replace the RTD probe. 3. If the problem persists replace the oven relay board.
F033	Meat probe temperature sensor shorted or too hot	1. The error is triggered if the meat probe sees a temperature in excess of 392°F. Make sure the meat probe was not used in such way that it could have seen such temperature. If the tip of the probe is not inserted in the meat it will see the cavity temperature, which can be higher than 392°F (depending on the setpoint) and trigger the alarm. 2. When the meat probe is connected to the socket inside the oven cavity, if the meat probe is not fully inserted into the socket it may short the contacts and cause the error. Make sure the probe is inserted as much as it can. 3. Verify meat probe resistance at room temperature. Compare to meat probe resistance chart. If the meat probe does not match the chart, replace it. 4. If the above steps failed to correct the problem, replace the oven relay board.
F050	A/D Out of Range: the oven relay board is unable to read the status of the switches (door, MDL)	1. Clear error, cycle Power a couple of times and check if error is back, if so replace Power board. 2. Else replace Door switch plungers and reseat harness. 3. If error persists check MDL & Harness.
F090	Motor Door Lock mechanism failure. The oven control does not see the Motor Door Lock running.	1. Disconnect power to the unit, wait 30 seconds, then reapply power. Try again to make the door lock or unlock (ex: initiate a Lockout or a Clean cycle). 2. Check if the Lock Motor is running or not. If it is not running, test the wiring between the Lock Motor and the oven relay board. If the wiring is good, check if there is 120VAC at the motor when it is expected to run to see if the failure originates from a bad motor (120VAC present but not turning) or a problem with the relay board (J20 pin 10 on the oven relay board is the output to the Lock Motor). The Lock Motor can also be tested by applying 120VAC directly to the motor (unplug it from the relay board first). If the Lock Motor does not run when 120VAC is applied replace the Lock Motor Assembly. If it is the relay board that does not provide 120VAC to the Lock Motor replace the oven relay board. 3. If the Lock Motor is running but the oven control cannot find the locked or unlocked position (ex: motor turns continuously until F90 fault code is generated) the Lock Switch needs to be verified. Check wiring between Lock Switch and oven relay board. Verify with ohmmeter if the switch makes contact properly (verify continuity with ohmmeter when the switch is pressed). If the Lock Switch is defective replace the Motor Lock Assembly. 4. If all above steps failed to correct the situation, replace the oven relay board.
F095	Motor Door Lock mechanism failure. The Motor Door Lock does not stop running or the Lock Switch sends an invalid signal.	1. The problem can be caused by a faulty Lock Switch or by a defective oven relay board. If the Motor Door Lock is always running (as if the relay controlling it is stuck closed) replace the oven relay board. 2. If the motor is not always running replace the Motor Lock Assembly.
F096	The oven door has been detected open during a Self-Clean cycle.	1. This error occurs if the door switch has lost its contact during a Self-Clean cycle. Make sure the oven door closes well and fully presses on the door switch plunger when the door is locked, and no one attempted to pull on the oven door during the Self Clean cycle. 2. Test continuity of wiring between the door switch and the oven relay board, make sure the door switch is well connected. With an ohmmeter, verify the switch is closed when the plunger is pressed. If the switch is found to be defective replace the door switch. 3. If the switch and wiring are good and the problem persists, replace the oven relay board.

Abréviations et terminologie utilisées dans la fiche technique		
EOC = Régulateur électronique de four	ESEC = Commande électronique des éléments de surface	TST = Technologie à capteurs tactiles (tableau de commande en verre avec touches à effleurement)
UIB = Carte d'interface utilisateur	TSEC = Commande électronique des touches à effleurement	RTD = Capteur de température à résistance (sonde ou capteur de température)
VSC = Commande de vitesse variable	PS = Carte d'alimentation électrique (PS1, PS2, etc.)	TCO = Coupe-circuit thermique (aussi appelé « disque thermique » ou « limiteur thermique »)

Descriptions des codes d'erreur de commande de four électronique		
Code d'erreur	Échec probableCondition / Cause	Action corrective suggérée
F001, F002, F004, F005	Échec tactile	1. Débranchez l'alimentation, attendez 30 secondes et remettez-le sous tension. Si le défaut réapparaît à la mise sous tension, remplacez la carte d'interface utilisateur du four.
F003	La carte d'interface utilisateur du four n'est pas configurée correctement.	1. Remplacez la carte d'interface utilisateur du four. Assurez-vous d'installer la dernière révision disponible pour ce modèle.
F010	Emballage de la température du four: la température de la cavité a été détectée au-delà de la température de fonctionnement maximale admissible.	1. Si le four surchauffe, débranchez le cordon d'alimentation. Vérifiez la sonde de température du four (RTD) et remplacez-la si nécessaire. 2. Si la sonde de température du four est bonne et si le four continue de surchauffer lorsque le courant est rétabli, remplacez la carte de relais du four.
F011	Touche bloquée: une touche détectée a été enfoncée pendant 30 secondes ou plus.	1. Si une touche a été appuyée par inadvertance pendant une longue période, ce code d'erreur sera affiché. Assurez-vous qu'il n'y a rien (eau, ustensiles) en contact avec le clavier. Le code de défaut devrait disparaître une fois la touche relâchée et la touche Stop appuyée. Si l'erreur F011 se reproduit lorsqu'une touche est enfoncée, cela signifie que la condition d'erreur est toujours présente. Si l'erreur F011 ne se reproduit pas, cela signifie que la condition d'erreur a disparu et que le four peut être utilisé. 2. Si le code d'erreur ne peut pas être effacé, l'alignement de la carte / des ressorts dans l'enceinte mécanique peut être affecté. Réinstallez la carte dans l'enceinte. 3. Si la réinstallation de la carte n'a pas résolu le problème, remplacez la carte d'interface utilisateur du four.
F012	Alarme de configuration du clavier: la carte d'interface utilisateur du four a reçu du touch micro un code de touche qui ne correspond pas à la carte de touches.	1. Vérifiez que la configuration appropriée est installée sur l'appareil, en fonction du numéro de modèle et du catalogue de pièces. 2. Remplacez la carte d'interface utilisateur du four si le problème persiste.
F013	La vérification des données écrites dans la mémoire non volatile a échoué	1. Débranchez l'alimentation, attendez 30 secondes et remettez-le sous tension. Si le problème réapparaît à la mise sous tension, remplacez l'interface utilisateur du four.
F015	Erreur de clavier	1. Débranchez l'alimentation, attendez 30 secondes et remettez-le sous tension. Si le problème réapparaît à la mise sous tension, remplacez la carte d'interface utilisateur du four.
F017	La carte d'interface utilisateur du four ne parvient pas à configurer le toucher.	1. Débranchez l'appareil, attendez 30 secondes, puis remettez-le sous tension. 2. Vérifiez que l'unité dispose de la carte d'interface utilisateur et de la configuration du four appropriées, en fonction du numéro de modèle et du catalogue de pièces. 3. Si le problème persiste, remplacez l'interface utilisateur du four.
F018	Panne de la carte relais du four (wiggler)	1. Remplacez la carte de relais du four.
F019	La carte d'interface utilisateur du four ne parvient pas à configurer la carte de relais du four.	1. Débranchez l'appareil, attendez 30 secondes, puis remettez-le sous tension. 2. Si le défaut réapparaît, vérifiez la connexion entre la carte d'interface utilisateur du four et la carte relais du four (connecteur MACS1 ou MACS2). 3. Vérifiez que l'unité dispose des cartes d'interface utilisateur et de relais de four appropriées, en fonction du numéro de modèle et du catalogue de pièces. 4. Si le problème persiste, remplacez la carte d'interface utilisateur du four. 5. Si le problème persiste, remplacez la carte de relais.
F020	Échec de communication entre la carte d'interface utilisateur du four et l'interface utilisateur du four.	1. Débranchez l'alimentation, attendez 30 secondes et remettez-le sous tension. Vérifiez si la condition d'erreur est toujours là. 2. Testez le faisceau de câbles entre la carte d'interface utilisateur du four et l'interface utilisateur de la plaque de cuisson (connecteur MACS1 ou MACS2). 3. Si le faisceau de câbles est en bon état, remplacez la carte de relais du four. 4. Si le problème persiste, remplacez l'interface utilisateur du four.
F022	Échec de la communication entre la carte d'interface utilisateur du four et la carte de relais du four	1. Débranchez l'alimentation, attendez 30 secondes et remettez-le sous tension. Vérifiez si la condition d'erreur est toujours là. 2. Testez le faisceau de câbles entre la carte d'interface utilisateur du four et la carte de relais du four (connecteur MACS1 ou MACS2). 3. Si le faisceau de câbles est en bon état, remplacez la carte de relais du four. 4. Si le problème persiste, remplacez l'interface utilisateur du four.
F023	Échec de communication entre le micro d'interface utilisateur du four et le micro tactile	1. Débranchez l'alimentation, attendez 30 secondes et remettez-le sous tension. Vérifiez si la condition d'erreur est toujours là. 2. Si le problème persiste, remplacez l'interface utilisateur du four.
F025, F027	La communication entre l'interface utilisateur du four et la carte de relais du four ne peut pas être initiée.	1. Débranchez l'appareil, attendez 30 secondes, puis remettez-le sous tension. 2. Si le défaut réapparaît, vérifiez la connexion entre la carte d'interface utilisateur du four et la carte relais du four (connecteur MACS1 ou MACS2). 3. Vérifiez que l'unité dispose des cartes d'interface utilisateur et de relais de four appropriées, en fonction du numéro de modèle et du catalogue de pièces. 4. Si le problème persiste, remplacez la carte à relais. 5. Si le problème persiste, remplacez la carte d'interface utilisateur du four.
F028, F029	La communication entre le micro d'interface utilisateur et le micro tactile ne peut pas être initiée.	1. Débranchez l'appareil, attendez 30 secondes, puis remettez-le sous tension. 2. Vérifiez que l'unité dispose de la carte d'interface utilisateur et de la configuration du four appropriées, en fonction du numéro de modèle et du catalogue de pièces. 3. Si le problème persiste, remplacez l'interface utilisateur du four.
F030	Capteur de température du four ouvert (RTD)	1. Vérifiez que le câblage du circuit de sonde n'est pas ouvert ou court-circuité. 2. Vérifiez la résistance de la sonde à température ambiante (comparez-la au tableau de résistance de la sonde). Si la résistance ne correspond pas au tableau, remplacez la sonde RTD. 3. Si le problème persiste, remplacez la carte de relais du four.
F031	Sonde de température du four en court-circuit	1. Vérifiez que le câblage du circuit de sonde n'est pas ouvert ou court-circuité. 2. Vérifiez la résistance de la sonde à température ambiante (comparez-la au tableau de résistance de la sonde). Si la résistance ne correspond pas au tableau, remplacez la sonde RTD. 3. Si le problème persiste, remplacez la carte de relais du four.
F033	Sonde de température de la sonde thermique court-circuitée ou trop chaude	1. L'erreur est déclenchée si la sonde thermique détecte une température supérieure à 392 ° F. Assurez-vous que la sonde à viande n'a pas été utilisée de telle manière qu'elle aurait pu voir une telle température. Si la pointe de la sonde n'est pas insérée dans la viande, la température de la cavité sera visible, ce qui peut être supérieur à 392 ° F (selon le point de consigne) et déclencher l'alarme. 2. Lorsque la sonde thermique est connectée à la prise située à l'intérieur de la cavité du four, elle risque de provoquer un court-circuit entre les contacts et de provoquer l'erreur si elle n'est pas complètement insérée. Assurez-vous que la sonde est insérée autant que possible. 3. Vérifiez la résistance de la sonde thermique à la température ambiante. Comparez au tableau de résistance de la sonde à viande. Si la sonde thermique ne correspond pas au tableau, remplacez-la. 4. Si le problème persiste, remplacez la carte de relais du four.
F050	A / D Out of Range: la carte de relais du four ne peut pas lire l'état des commutateurs (porte, MDL)	1. Effacez l'erreur, redémarrez l'alimentation plusieurs fois et vérifiez si l'erreur est de retour. Dans ce cas, remplacez la carte de contrôle. 2. Sinon, remplacez le / les piston (s) de l'interrupteur de porte et remplacez le faisceau. 3. Si l'erreur persiste, vérifiez MDL et harnais.
F090	Défaillance du mécanisme de verrouillage de la porte du moteur. La commande du four ne voit pas la serrure de la porte du moteur fonctionner	1. Débranchez l'appareil, attendez 30 secondes, puis remettez-le sous tension. Essayez à nouveau de verrouiller ou de déverrouiller la porte (ex: initiez un cycle de verrouillage ou de nettoyage). 2. Vérifiez si le moteur de verrouillage est en marche ou non. S'il ne fonctionne pas, testez le câblage entre le moteur de verrouillage et la carte de relais du four. Si le câblage est bon, vérifiez s'il existe une tension de 120 VCA au moteur lorsqu'il est prévu de fonctionner pour voir si la panne provient d'un moteur défectueux (présence de 120 VCA mais ne tourne pas) ou d'un problème avec la carte de relais (J20 broche 10 sur le connecteur). La carte de relais du four est la sortie vers le moteur de verrouillage. Le moteur de verrouillage peut également être testé en appliquant 120 VCA directement sur le moteur (débranchez-le d'abord de la carte de relais). Si le moteur de verrouillage ne fonctionne pas lorsque 120 VCA est appliqué, remplacez l'ensemble du moteur de verrouillage. Si c'est la carte de relais qui ne fournit pas 120 VCA au moteur de verrouillage, remplacez la carte de relais du four. 3. Si le moteur de verrouillage est en marche mais que la commande du four ne trouve pas la position verrouillée ou déverrouillée (ex: le moteur tourne en continu jusqu'à ce que le code d'erreur F90 soit généré), le commutateur de verrouillage doit être vérifié. Vérifiez le câblage entre le commutateur de verrouillage et la carte de relais du four. Vérifiez avec l'ohmmètre si le contacteur est bien en contact (vérifiez la continuité avec l'ohmmètre lorsque vous appuyez sur le contacteur). Si l'interrupteur de verrouillage est défectueux, remplacez l'ensemble de verrouillage du moteur. 4. Si toutes les étapes ci-dessus n'ont pas permis de corriger la situation, remplacez la carte de relais du four.
F095	Défaillance du mécanisme de verrouillage de la porte du moteur. Le verrouillage de la porte du moteur ne s'arrête pas ou le commutateur de verrouillage envoie un signal non valide.	1. Le problème peut être causé par un commutateur de verrouillage défectueux ou par une carte de relais de four défectueuse. Si le verrouillage de la porte du moteur est toujours actif (comme si le relais le contrôlant est bloqué en position fermée), remplacez la carte de relais du four. 2. Si le moteur ne tourne pas toujours, remplacez le dispositif de verrouillage du moteur.
F096	La porte du four a été détectée ouverte pendant un cycle d'autonettoyage.	1. Cette erreur se produit si l'interrupteur de porte a perdu son contact pendant un cycle d'autonettoyage. Assurez-vous que la porte du four se ferme bien et que vous appuyez à fond sur le piston de l'interrupteur lorsque la porte est verrouillée et que personne n'a tenté de tirer sur la porte du four pendant le cycle d'autonettoyage. 2. Testez la continuité du câblage entre l'interrupteur de porte et la carte de relais du four, assurez-vous que l'interrupteur de porte est bien connecté. Avec un ohmmètre, vérifiez que l'interrupteur est fermé lorsque vous appuyez sur le piston. Si l'interrupteur de porte s'avère défectueux, remplacez-le. 3. Si le commutateur et le câblage sont en bon état et que le problème persiste, remplacez la carte de relais du four.

Electronic Surface Element Control System (ESEC) Error Code Descriptions

When a specific error condition occurs in the ESEC system, a code will be displayed in the electronic control panel as shown in the error notification in an induction system section. For each Error Code there is a listing of the likely cause or failure condition, as well as suggested corrective actions to be taken. Always reset the power by disconnecting or turning off the power supply for 30 seconds to see if the failure condition will clear. If the error code returns perform the steps one at a time in the order listed below to correct the specific failure condition. **NOTE: If multiple changing error codes are displayed check for disconnected wires or cables.**

Error Code	Likely Cause or Failure Condition	Suggested Corrective Action
E0-01	Internal error	1. Disconnect power, wait 30 seconds and reapply power. If fault returns upon power-up replace the hob user interface corresponding to the error.
E0-02	Data flash error	1. Disconnect power, wait 30 seconds and reapply power. If fault returns upon power-up replace the hob user interface corresponding to the error.
E0-03	Configuration error	1. Disconnect power, wait 30 seconds and reapply power. If fault returns upon power-up replace the hob user interface corresponding to the error.
E0-04	Keyboard tuning configuration error	1. Disconnect power, wait 30 seconds and reapply power. If fault returns upon power-up replace the hob user interface corresponding to the error.
E0-05	Keyboard safety error	1. Disconnect power, wait 30 seconds and reapply power. If fault returns upon power-up replace the hob user interface corresponding to the error.
E0-06	HMICOMM_Q_ERROR	1. Disconnect power, wait 30 seconds and reapply power. If fault returns upon power-up replace the hob user interface corresponding to the error.
E0-11	Stuck Key	1. If a key was pressed inadvertently for a long time this error code will be displayed. Make sure there is nothing (water, utensils) in contact with the keyboard. The fault code should go away once the key is released and the Stop key is pressed. If the error comes back when a key is pressed it means the error condition is still there. If the error does not come back it means the error condition is gone and the cooktop can be used. 2. If the fault code cannot be cleared, replace hob UI board corresponding to the error.
E0-12	Keyboard configuration error	1. Verify the unit has the proper cooktop user interface board based on the model number and parts catalog. 2. Replace the cooktop user interface board corresponding to the error if the UI is incorrect or the issue persists.
E0-13	Non-volatile memory alarm	1. Disconnect power, wait 30 seconds and reapply power. If fault returns upon power-up replace the hob user interface corresponding to the error.
E0-15	FMEA error	1. Disconnect power, wait 30 seconds and reapply power. If fault returns upon power-up replace the hob user interface corresponding to the error.
E0-19	Unable to configure the power board	1. Check the MACS connection (communication harness) between user interface board and induction power boards. 2. If problem persists, check continuity of MACS harness between each control board. Replace harness if defective. 3. If harness is good and problem persists, replace the induction board indicated by the error code. 4. If problem persists, replace the hob user interface board corresponding to the error.
E0-20	Loss of communication between cooktop UI and oven UI	1. Disconnect power, wait 30 seconds and reapply power. Check if error condition is still there. 2. Test wiring harness between oven user interface board (MACS Bus) and cooktop UI (MACS2 or MACS1). 3. If wiring harness is good replace oven UI. 4. If the problem persists replace the cooktop user interface corresponding to the error.
E0-22	Loss of communication between power board and user interface board	1. Check the MACS connection (communication harness) between user interface board and induction power boards. 2. If problem persists, check continuity of MACS harness between each control board. Replace harness if defective. 3. If harness is good and problem persists, replace the induction board indicated by the error code. 4. If problem persists, replace the hob user interface board corresponding to the error.
E0-24	Loss of communication between the hob user interfaces	1. Check the MACS connection (communication harness) between hob user interface board and oven user interface. 2. If problem persists, check continuity of MACS harness between each control board. Replace harness if defective. 3. If harness is good and problem persists, replace the hob user interface board indicated by the error code. 4. If problem persists, replace the oven user interface board.
E0-25	Loss of communication between the power boards	1. Verify the unit has the proper cooktop user interface board based on the model number and parts catalog. 2. Replace the cooktop user interface board if the UI is incorrect or the issue persists.
E0-50	ADC read error	1. Disconnect power, wait 30 seconds and reapply power. 2. If fault returns upon power-up replace the hob user interface corresponding to the error.
E1-49 E2-49	Induction powerboard configuration compatibility error	1. Disconnect power, wait 30 seconds and reapply power. Check if error condition is still there. 2. If problem persists, check continuity of MACS harness between each control board. Replace harness if defective. 3. If harness is good and problem persists, replace the induction board indicated by the error code. 4. If problem persists, replace the hob user interface board corresponding to the error.
E1-57 E2-57	MAINS (power supply) relay stuck on induction power board.	1. Cycle power to appliance, wait 30 seconds before reconnecting power. 2. If problem persists, replace the induction power board corresponding to the error.
E1-64 E2-64	Cooling fan on the induction power board is blocked or otherwise unable to turn.	1. Check for interference, blockages, debris, dust, or anything else that would physically prevent the fan from moving. 2. If problem persists, replace the induction board indicated by the error code.
E1-65 E2-65	Open temperature sensor on induction board.	1. Verify that induction coil temperature sensor is connected to generator. 2. Test resistance of each sensor for ± 100K ohms at room temperature. Replace coil if sensor is open or shorted. 3. If problem persists, replace the induction board indicated by the error code.
E1-71 E2-71	Failure check found inconsistent power currents between the drive circuit for the coils (IBGT) and the main power current on the induction generator board	1. Cycle power to appliance, wait 30 seconds before reconnecting power. 2. If problem persists, replace the induction power board corresponding to the error code.
E1-73 E2-73	Failure check found too high temperature on induction generator board	1. Cycle power to appliance, wait 30 seconds before reconnecting power. 2. If problem persists, replace the induction power board corresponding to the error code.
E1-74 E2-74	IGBT/Heatsink open or short	1. Cycle power to appliance, wait 30 seconds before reconnecting power. 2. If problem persists, replace the induction power board corresponding to the error code.
E1-75 E2-75	Failure check found a bad sensor or a shorted circuit on the induction generator board	1. Verify that induction coil temperature sensor is connected to generator. 2. Test resistance of each sensor for ± 100K ohms at room temperature. Replace coil if sensor is open or shorted. 3. If problem persists, replace the induction board indicated by the error code.

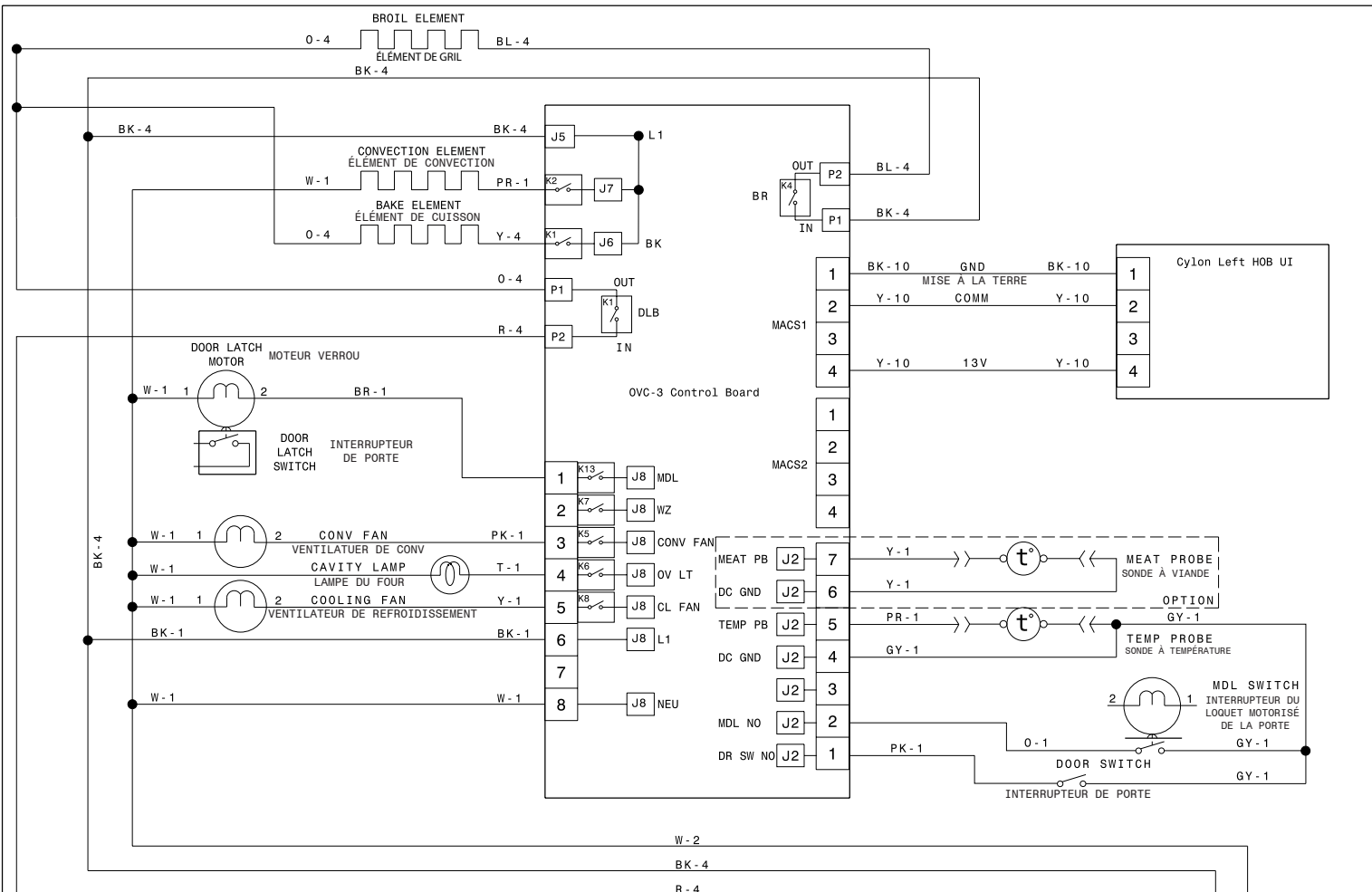
Description des codes d'erreur du système de commande électronique des éléments de surface

Lorsqu'une condition d'erreur spécifique se produit dans le système ESEC, un code sera affiché dans le panneau de commande électronique comme indiqué dans la notification d'erreur dans une section de système d'induction. La liste ci-dessous fournit des causes probables du problème et des suggestions de mesures correctives pour chaque code d'erreur. Réinitialisez toujours l'alimentation de l'appareil en le débranchant ou en coupant l'alimentation pendant 30 secondes pour vérifier si l'anomalie est toujours présente. Si le code d'erreur revient, effectuez les mesures correctives une à la fois et dans l'ordre indiqué ci-dessous pour corriger l'anomalie détectée. **REMARQUE : Si plusieurs codes d'erreur s'affichent de façon intermittente, vérifiez si des fils ou des câbles sont déconnectés.**

Code d'erreur	Cause probable ou condition d'échec	Action corrective suggérée
E0-01	Erreur interne	1. Débranchez l'alimentation, attendez 30 secondes et remettez-le sous tension. Si l'erreur se produit à la mise sous tension, remplacez l'interface utilisateur de la table de cuisson correspondant à l'erreur.
E0-02	Erreur de flash de données	1. Débranchez l'alimentation, attendez 30 secondes et remettez-le sous tension. Si l'erreur se produit à la mise sous tension, remplacez l'interface utilisateur de la table de cuisson correspondant à l'erreur.
E0-03	Erreur de configuration	1. Débranchez l'alimentation, attendez 30 secondes et remettez-le sous tension. Si l'erreur se produit à la mise sous tension, remplacez l'interface utilisateur de la table de cuisson correspondant à l'erreur.
E0-04	Erreur de configuration du réglage du clavier	1. Débranchez l'alimentation, attendez 30 secondes et remettez-le sous tension. Si l'erreur se produit à la mise sous tension, remplacez l'interface utilisateur de la table de cuisson correspondant à l'erreur.
E0-05	Erreur de sécurité du clavier	1. Débranchez l'alimentation, attendez 30 secondes et remettez-le sous tension. Si l'erreur se produit à la mise sous tension, remplacez l'interface utilisateur de la table de cuisson correspondant à l'erreur.
E0-06	HMICOMM_Q_Erreur	1. Débranchez l'alimentation, attendez 30 secondes et remettez-le sous tension. Si l'erreur se produit à la mise sous tension, remplacez l'interface utilisateur de la table de cuisson correspondant à l'erreur.
E0-11	Clé coincée	1. Si une touche a été appuyée par inadvertance pendant une longue période, ce code d'erreur sera affiché. Assurez-vous qu'il n'y a rien (eau, ustensiles) en contact avec le clavier. Le code de défaut devrait disparaître une fois la touche relâchée et la touche Stop appuyée. Si l'erreur revient quand une touche est appuyée, cela signifie que la condition d'erreur est toujours là. Si l'erreur ne se reproduit pas, cela signifie que la condition d'erreur a disparu et que la table de cuisson peut être utilisée. 2. Si le code d'erreur ne peut pas être effacé, remplacez la carte d'interface utilisateur de table de cuisson correspondant à l'erreur.
E0-12	Erreur de configuration du clavier	1. Vérifiez que l'unité dispose de la carte d'interface utilisateur de la table de cuisson appropriée, basée sur le numéro de modèle et le catalogue de pièces. 2. Remplacez la carte d'interface utilisateur de la table de cuisson correspondant à l'erreur si l'interface utilisateur est incorrecte ou si le problème persiste.
E0-13	Alarme de mémoire non volatile	1. Débranchez l'alimentation, attendez 30 secondes et remettez-le sous tension. Si l'erreur se produit à la mise sous tension, remplacez l'interface utilisateur de la table de cuisson correspondant à l'erreur.
E0-15	FMEA Erreur	1. Débranchez l'alimentation, attendez 30 secondes et remettez-le sous tension. Si l'erreur se produit à la mise sous tension, remplacez l'interface utilisateur de la table de cuisson correspondant à l'erreur.
E0-19	Impossible de configurer la carte d'alimentation	1. Vérifiez la connexion MACS (faisceau de communication) entre la carte d'interface utilisateur et les cartes d'alimentation à induction. 2. Si le problème persiste, vérifiez la continuité du faisceau du MACS entre chaque carte de contrôle. Remplacez le harnais s'il est défectueux. 3. Si le faisceau est bon et que le problème persiste, remplacez la carte d'induction indiquée par le code d'erreur. 4. Si le problème persiste, remplacez la carte d'interface utilisateur de la table de cuisson correspondant à l'erreur.
E0-20	Perte de communication entre l'interface utilisateur de la table de cuisson et l'interface utilisateur du four	1. Débranchez l'alimentation, attendez 30 secondes et remettez-le sous tension. Vérifiez si la condition d'erreur est toujours là. 2. Testez le faisceau de câbles entre la carte d'interface utilisateur du four (MACS Bus) et l'interface utilisateur de la table de cuisson (MACS2 ou MACS1). 3. Si le faisceau de câbles est bon, remplacez l'interface utilisateur du four. 4. Si le problème persiste, remplacez l'interface utilisateur de la table de cuisson correspondant à l'erreur.
E0-22	Perte de communication entre la carte de puissance et la carte d'interface utilisateur	1. Vérifiez la connexion MACS (faisceau de communication) entre la carte d'interface utilisateur et les cartes d'alimentation à induction. 2. Si le problème persiste, vérifiez la continuité du faisceau du MACS entre chaque carte de contrôle. Remplacez le harnais s'il est défectueux. 3. Si le faisceau est bon et que le problème persiste, remplacez la carte d'induction indiquée par le code d'erreur. 4. Si le problème persiste, remplacez la carte d'interface utilisateur de la table de cuisson correspondant à l'erreur.
E0-24	Perte de communication entre les interfaces utilisateur de la table de cuisson	1. Vérifiez la connexion MACS (faisceau de communication) entre la carte d'interface utilisateur de table de cuisson et l'interface utilisateur du four. 2. Si le problème persiste, vérifiez la continuité du faisceau du MACS entre chaque carte de contrôle. Remplacez le harnais s'il est défectueux. 3. Si le faisceau est bon et que le problème persiste, remplacez la carte d'interface utilisateur de table de cuisson indiquée par le code d'erreur. 4. Si le problème persiste, remplacez la carte d'interface utilisateur du four.
E0-25	Perte de communication entre les cartes d'alimentation	1. Vérifiez que l'unité dispose de la carte d'interface utilisateur de la table de cuisson appropriée, basée sur le numéro de modèle et le catalogue de pièces. 2. Remplacez la carte d'interface utilisateur de la table de cuisson si l'interface utilisateur est incorrecte ou si le problème persiste.
E0-50	Erreur de lecture ADC	1. Débranchez l'alimentation, attendez 30 secondes et remettez-le sous tension. Si l'erreur se produit à la mise sous tension, remplacez l'interface utilisateur de la table de cuisson correspondant à l'erreur.
E1-49 E2-49	Erreur de compatibilité de la configuration du panneau d'alimentation à induction	1. Coupez l'alimentation, attendez 30 secondes et remettez sous tension. Vérifiez si la condition d'erreur est toujours là. 2. Si le problème persiste, vérifiez la continuité du faisceau MACS entre chaque carte de commande. Remplacez le faisceau s'il est défectueux. 3. Si le faisceau est bon et que le problème persiste, remplacez la carte d'induction indiquée par le code d'erreur. 4. Si le problème persiste, remplacez la carte d'interface utilisateur de la table de cuisson correspondant à l'erreur.
E1-57 E2-57	MAINS (alimentation) relais collé sur la carte de puissance à induction.	1. Eteignez et rallumez l'appareil. Attendez 30 secondes avant de rétablir le courant. 2. Si le problème persiste, remplacez la carte d'alimentation à induction correspondant à l'erreur.
E1-64 E2-64	Le ventilateur de la carte de puissance à induction est bloqué ou ne peut pas tourner.	1. Recherchez des interférences, des obstructions, des débris, de la poussière ou tout autre élément empêchant physiquement le ventilateur de bouger. 2. Si le problème persiste, remplacez la carte d'induction indiquée par le code d'erreur.
E1-65 E2-65	Open temperature sensor on induction coil.	1. Vérifiez que le capteur de température de la bobine d'induction est connecté au générateur (B71 & B81). 2. Testez la résistance de chaque capteur pour ± 100 K ohms à température ambiante. Remplacez la bobine si le capteur est ouvert ou court-circuité. 3. Si le problème persiste, remplacez la carte du générateur à induction indiquée par le code d'erreur.
E1-71 E2-71	La vérification des défaillances a révélé des courants de puissance incohérents entre le circuit de commande pour les bobines (IBGT) et le courant d'alimentation principal sur la carte du générateur à induction	1. Eteignez et rallumez l'appareil. Attendez 30 secondes avant de rétablir le courant. 2. Si le problème persiste, remplacez la carte d'alimentation à induction correspondant au code d'erreur.
E1-73 E2-73	Vérification d'échec trouvée une température trop élevée sur la carte du générateur à induction	1. Eteignez et rallumez l'appareil. Attendez 30 secondes avant de rétablir le courant. 2. Si le problème persiste, remplacez la carte d'alimentation à induction correspondant au code d'erreur.
E1-74 E2-74	IGBT / dissipateur thermique ouvert ou court	1. Eteignez et rallumez l'appareil, attendez 30 secondes avant de le rebrancher. 2. Si le problème persiste, remplacez la carte d'alimentation à induction correspondant au code d'erreur.
E1-75 E2-75	La vérification d'échec a révélé un capteur défectueux ou un circuit court-circuit sur la carte du générateur à induction	1. Vérifiez que le capteur de température de la bobine d'induction est connecté au générateur (B71 & B81). 2. Testez la résistance de chaque capteur pour ± 100 K ohms à température ambiante. Remplacez la bobine si le capteur est ouvert ou court-circuité. 3. Si le problème persiste, remplacez la carte du générateur à induction indiquée par le code d'erreur.

Additional Failure Conditions			
Symptom or Failure	Control Display	Possible Cause or Condition	Suggested Corrective Action
Pan does not heat up.	Normal operation	Pan too small for proper pan detection and only works with low power.	Use larger pan or this pan on a smaller cooking zone. Refer to owners guide for proper pan selection.
	Flashing power level Display and pan does not heat.	Pan not detected.	Check whether the pots or pans are suitable for induction. Refer to owners guide for proper pan selection.
		Induction surface unit not correctly connected or surface unit open.	Check the surface unit wire terminal connections. Ensure that they are properly connected and tightened. Test continuity of element (should be less than 1 ohm).
		Distance between surface unit and glass ceramic too large.	Check whether the surface unit is properly positioned and touching the glass cooktop surface.
Individual buttons cannot be used or cannot always be used.	None	1. Test cables and connections. 2. Membrane control panel defective. 3. EOC defective.	1. Follow instructions for proper use of controls. 2. Verify membrane tail connections between EOC and ESEC. Replace if defective or damaged. 3. Replace EOC.
Cooking power too low or shuts down prematurely.	None	Fluids spilled or object lying on control panel keypads.	Clean up spills or remove objects. Restart cooktop in normal manner.
		Normal Operation	Ventilation slots obstructed.
		Unsuitable pots (bottom bent).	Follow owner's guide for proper pan selection.
		Distance between surface unit and glass ceramic too large.	Check whether the surface unit is properly positioned and touching the glass cooktop surface.
		Fan does not start.	1. With two cook zones operating, verify that the fan runs at a slow speed. If fans do not run, check for foreign objects or stuck fan motor. 2. Test continuity of motor windings. Replace motor if open. 3. Replace induction control assembly.
Steady "Hot surface" indicator light when cooking zone is cold and switched off.	"Hot surface" indicator light	Induction coil temperature sensor failure	1. Test surface unit RTD approx. 100K ohms at room temperature. Replace surface unit if resistance is not correct. 2. Replace induction generator board.
Cooktop does not initialize/ operate.	Blank No display No beep	EOC not powered.	Verify installation and harness connections to EOC.
		Defective EOC.	Replace EOC.

Conditions d'échec supplémentaires			
Symptôme ou échec	Affichage de contrôle	Cause ou condition possible	Action corrective suggérée
La casserole ne chauffe pas.	Fonctionnement normal	Pan trop petit pour une détection de pan correcte et ne fonctionne qu'avec une faible puissance.	Utilisez une casserole plus grande ou cette casserole sur une zone de cuisson plus petite. Reportez-vous au guide du propriétaire pour choisir le pan approprié.
	Niveau de puissance clignotant L'affichage et le plateau ne chauffent pas.	Pan non détecté.	Vérifiez si les pots ou les casseroles sont adaptés à l'induction. Reportez-vous au guide du propriétaire pour choisir le pan approprié.
		L'unité de surface d'induction n'est pas correctement connectée ou l'unité de surface est ouverte.	Vérifiez les connexions des bornes des fils de l'unité de surface. Assurez-vous qu'ils sont correctement connectés et serrés. Testez la continuité de l'élément (doit être inférieure à 1 ohm).
		La distance entre l'unité de surface et la vitrocéramique est trop grande.	Vérifiez si l'unité de surface est correctement positionnée et touche la surface de la table de cuisson en verre.
Les boutons individuels ne peuvent pas être utilisés ou ne peuvent pas toujours être utilisés.	Aucun	1. Testez les câbles et les connexions. 2. Panneau de contrôle de la membrane défectueux. 3. EOC défectueux.	1. Suivez les instructions pour utiliser correctement les commandes. 2. Vérifiez les connexions d'extrémité de la membrane entre EOC et ESEC. Remplacez-le s'il est défectueux ou endommagé. 3. Remplacez le COU.
	Aucun Fonctionnement normal	Des liquides ont été renversés ou un objet est resté sur les claviers du panneau de commande	Nettoyez les déversements ou enlevez les objets. Redémarrez la table de cuisson de manière normale.
		Fentes d'aération obstruées.	Effacer les ouvertures de ventilation.
		Pots inadaptés (fond plié).	Suivez le guide du propriétaire pour choisir le bon pan.
		La distance entre l'unité de surface et la vitrocéramique est trop grande.	Vérifiez si l'unité de surface est correctement positionnée et touche la surface de la table de cuisson en verre.
		Le ventilateur ne démarre pas.	1. Lorsque deux zones de cuisson sont en marche, vérifiez que le ventilateur fonctionne à basse vitesse. Si les ventilateurs ne fonctionnent pas, recherchez des corps étrangers ou un moteur de ventilateur bloqué. 2. Testez la continuité des enroulements du moteur. Remplacez le moteur s'il est ouvert. 3. Remplacez l'ensemble de commande d'induction.
Voyant «Hot Surface» fixe lorsque la zone de cuisson est froide et éteinte.	"Hot surface" voyant	Défaillance du capteur de température de la bobine d'induction	1. Test unité de surface RTD env. 100 KOhms à la température ambiante. Remplacez l'unité de surface si la résistance n'est pas correcte. 2. Remplacez la carte du générateur d'induction.
La table de cuisson ne s'initialise pas / ne fonctionne pas.	Blanc Pas d'affichage Pas de bip	EOC non alimenté. EOC défectueux.	Vérifier l'installation et exploiter les connexions au EOC. Remplacez le EOC.

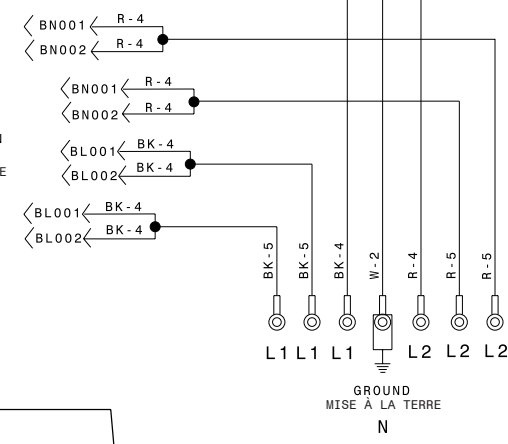


COLOR CODE / CODE COULEUR

BK = BLACK/NOIR
 BR = BROWN/BRUN
 R = RED/ROUGE
 O = ORANGE/ORANGE
 Y = YELLOW/JAUNE
 GN = GREEN/VERT
 BL = BLUE/BLEU
 PU = PURPLE/VIOLET
 GY = GREY/GRIS
 W = WHITE/BLANC
 T = TAN/BRONZER
 PK = PINK/ROSE
 BR/W = BROWN/WHITE
 BRUN/BLANC
 O/BK = ORANGE/BLACK
 ORANGE/NOIR
 PR/O = PURPLE/ORANGE
 VIOLET/ORANGE
 GR/BK = GREY/BLACK
 GRIS/NOIR
 GR/O = GREY/ORANGE
 GRIS/ORANGE
 GR/Y = GREY/YELLOW
 GRIS/JAUNE
 GR/R = GREY/RED
 GRIS/ROUGE
 GR/BL = GREY/BLUE
 GRIS/BLEU

CODE CODE	GAUGE CALIBRE	TEMP. °C	CSA	UL
1	20	150	EXL-B	3321
2	18	150	EXL-B	3321
3	16	150	EXL-B	3321
4	14	150	EXL-B	3321
5	12	150	EXL-B	3321
6	20	125	EXL-A	3173
7	16	125	EXL-A	3173
8	14	125	EXL-A	3173
9	20	200	SF-1	3122
10	22	200	SF-1	10109

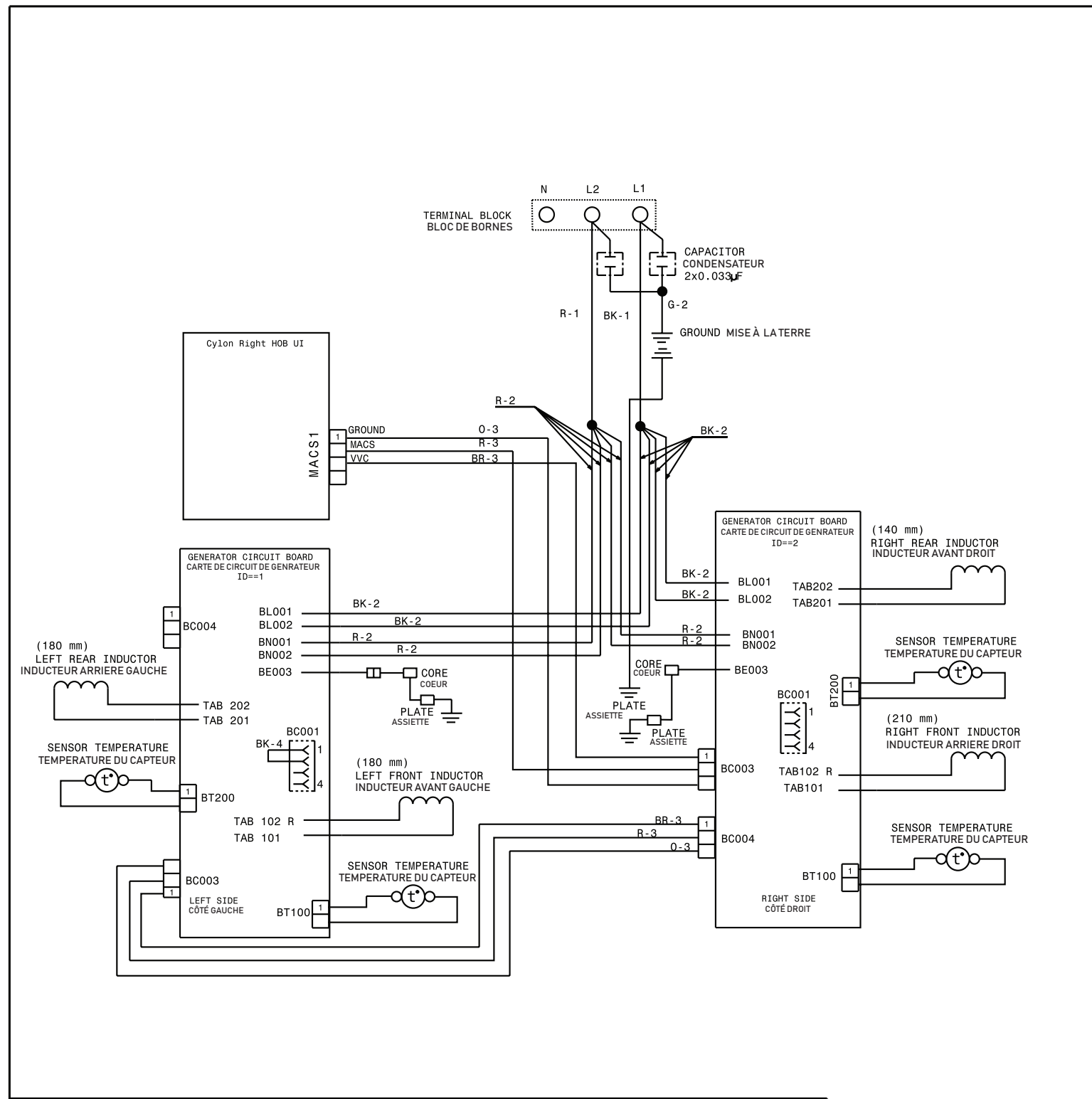
CONNECTOR/CONNECTEUR A	CONNECTOR/CONNECTEUR B
5 4 3 2 1	4 3 2 1
10 9 8 7 6	8 7 6 5
15 14 13 12 11	12 11 10 9



CAUTION: DISCONNECT POWER BEFORE SERVICING UNIT. LABEL ALL WIRES PRIOR TO DISCONNECTION WHEN SERVICING CONTROLS. WIRINGS ERRORS CAN CAUSE IMPROPER AND DANGEROUS OPERATION. VERIFY PROPER OPERATION AFTER SERVICING.

ATTENTION: COUPEZ L'ALIMENTATION AVANT D'EFFECTUER LA REPARATION. IDENTIFIEZ TOUS LES FILS AVANT DE LES DEBRANCHER QUAND L'APPAREIL EST HORS SERVICE. LES ERREURS DE CONNEXION DE FILS PEUVENT CAUSER UN MAL FONCTIONNEMENT ET UN DANGER D'USAGE DE L'APPAREIL. VERIFIEZ LE BON FONCTIONNEMENT DE L'APPAREIL APRES LE SERVICE.

PART NUMBER	REV.
A12802913	A



COLOR CODE / CODE COULEUR

BK = BLACK/NOIR
 R = RED/ROUGE
 GN = GREEN/VERT
 BR = BROWN/MARRON
 O = ORANGE/ORANGE

CODE CODE	GAUGE CALIBRE	TEMP. °C	CSA	UL
1	12	150	EXL-B	3321
2	14	150	EXL-B	3321
3	22	105	PVC	1569
4	24	105	PVC	1569

CONNECTOR/CONNECTEUR A	CONNECTOR/CONNECTEUR B	CONNECTOR/CONNECTEUR C
1 2 3	2 1	2 1

CAUTION: DISCONNECT POWER BEFORE SERVICING UNIT. LABEL ALL WIRES PRIOR TO DISCONNECTION WHEN SERVICING CONTROLS. WIRINGS ERRORS CAN CAUSE IMPROPER AND DANGEROUS OPERATION. VERIFY PROPER OPERATION AFTER SERVICING.

ATTENTION: COUPEZ L'ALIMENTATION AVANT D'EFFECTUER LA REPARATION. IDENTIFIEZ TOUS LES FILS AVANT DE LES DEBRANCHER QUAND L'APPAREIL EST HORS SERVICE. LES ERREURS DE CONNEXION DE FILS PEUVENT CAUSER UN MAL FONCTIONNEMENT ET UN DANGER D'USAGE DE L'APPAREIL. VERIFIEZ LE BON FONCTIONNEMENT DE L'APPAREIL APRES LE SERVICE.

PART NUMBER	REV.
A12802911	B