

DESIGNER

TRAPEZE

ISLAND

DESIGNER:
FU-TUNG CHENG

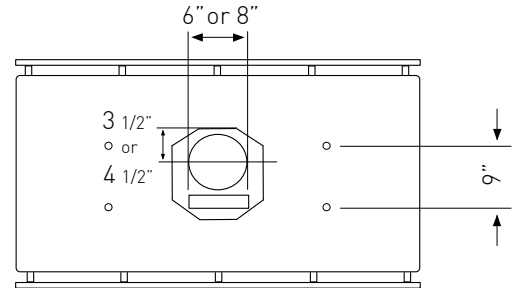
Our first island range hood, the light and airy Trapeze is a streamlined reprieve from its bulky, conventional counterparts. Using a sleek suspension structure, the Trapeze seems to float in midair. Now featuring the

most advanced Bloom™ HD LED lighting and a graceful, slow-curve canopy, the Trapeze is more than a focal point—it's a statement.

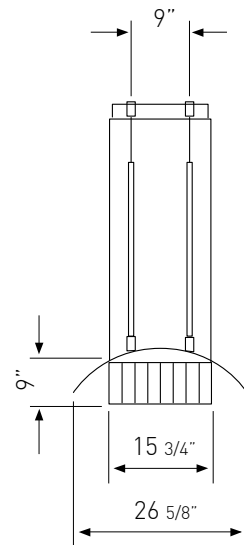
ZEPHYR
ZEPHYRONLINE.COM



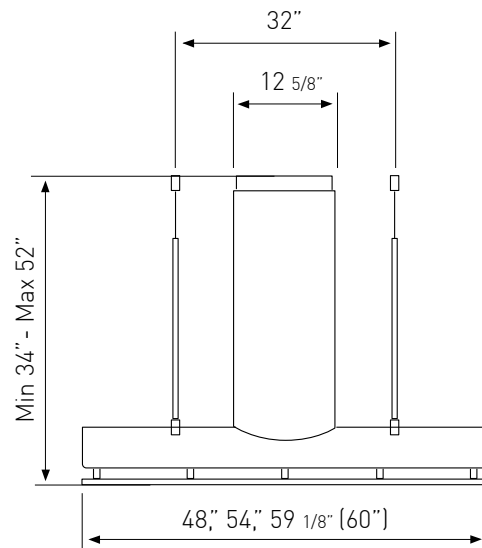
Optional Wireless Remote Control



Top



Side



Front

DESIGNER:
FU-TUNG CHENG

MODEL	CTP-E48BSX	CTP-E54BSX	CTP-E60BSX
Stainless Steel			
Size	48"	54"	60"
PERFORMANCE			
Internal Blower (CBI-290A)*	200-290 CFM, 1.4-3 sones	200-290 CFM, 1.4-3 sones	200-290 CFM, 1.4-3 sones
Internal Blower (CBI-600A)*	240-600 CFM, 1.8-6 sones	240-600 CFM, 1.8-6 sones	240-600 CFM, 1.8-6 sones
In-Line Blower (PBN-1000A)*	500-1,000 CFM, sones NA	500-1,000 CFM, sones NA	500-1,000 CFM, sones NA
External Blower (CBE-1000)*	500-1,000 CFM, sones NA	500-1,000 CFM, sones NA	500-1,000 CFM, sones NA
FEATURES			
Controls	Electronic Touch Controls	Electronic Touch Controls	Electronic Touch Controls
Speed Levels	3	3	3
Lighting	Bloom™ HD LED, 6W x4	Bloom™ HD LED, 6W x4	Bloom™ HD LED, 6W x4
Dual-Level Lighting	Yes	Yes	Yes
Filters	Professional Baffle	Professional Baffle	Professional Baffle
Wireless Remote Control Option	Yes, RF	Yes, RF	Yes, RF
Recirculating Option	No	No	No
Extension Duct Cover	Yes, Up to 12' Ceiling	Yes, Up to 12' Ceiling	Yes, Up to 12' Ceiling
ADA Compliant	Yes (with remote accessory)	Yes (with remote accessory)	Yes (with remote accessory)
DUCT SPECIFICATIONS			
Vertical - Internal Blower	6" Round	6" Round	6" Round
Vertical - External/In-Line Blower	10" - 8"***	10" - 8"***	10" - 8"***
Horizontal	NA	NA	NA
AC POWER			
Hood w/ CBI-290A	120V, 60Hz, Max. 0.95A	120V, 60Hz, Max. 0.95A	120V, 60Hz, Max. 0.95A
Hood w/ CBI-600A	120V, 60Hz, Max. 2.95A	120V, 60Hz, Max. 2.95A	120V, 60Hz, Max. 2.95A
Hood w/ PBN-1000A	120V, 60Hz, Max. 5.65A	120V, 60Hz, Max. 5.65A	120V, 60Hz, Max. 5.65A
Hood w/ CBE-1000	120V, 60Hz, Max. 6.45A	120V, 60Hz, Max. 6.45A	120V, 60Hz, Max. 6.45A
OPTIONAL ACCESSORIES			
Extension Duct Cover	Z1C-00TP	Z1C-00TP	Z1C-00TP
Make-Up Air Kit	MUA006A (600 CFM) MUA008A (1,000CFM)	MUA006A (600 CFM) MUA008A (1,000CFM)	MUA006A (600 CFM) MUA008A (1,000CFM)
Wireless Remote Control	14000005	14000005	14000005
MOUNTING HEIGHT RANGE***	26" - 36"	26" - 36"	26" - 36"
WARRANTY	3 years parts, 1 year labor	3 years parts, 1 year labor	3 years parts, 1 year labor

CEILING HEIGHT		8'	8.5'	9'	9.5'	10'	10.5'	11'	12'
STANDARD DUCT COVER	Ducted Mounting Height***	26" - 26"	26" - 32"	26" - 36"	26" - 36"	32" - 36"	NA	NA	NA
EXTENSION DUCT COVER	Ducted Mounting Height***	NA	NA	NA	26" - 30"	26" - 36"	26" - 36"	26" - 36"	36" - 36"

*Blower sold separately.

**10" round duct connects to external and in-line blower. Must transition from 10" to 8" before duct passes through ceiling. A 10" to 8" adapter is included with external and in-line blowers.

***Mounting height refers to distance between top of a 36" tall cooking surface and bottom of hood.