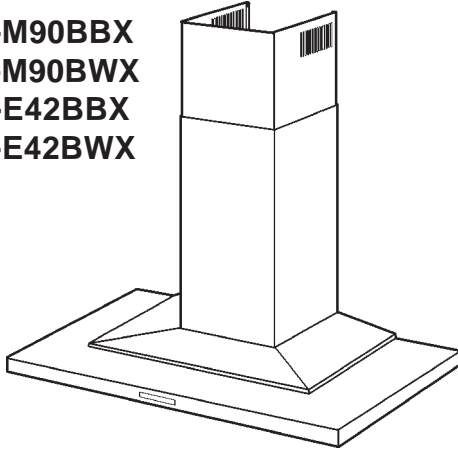


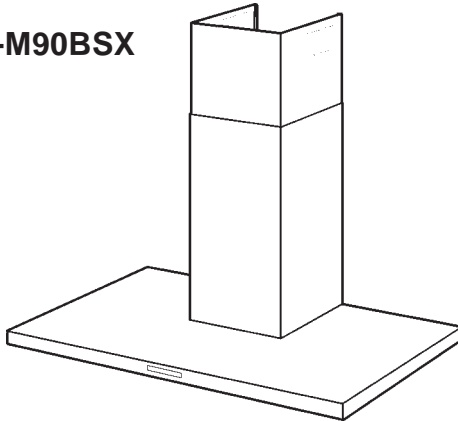
## Layers Wall

ALA-M90BBX  
ALA-M90BWX  
ALA-E42BBX  
ALA-E42BWX



## Duo Wall

ADU-M90BSX



## RANGE HOOD - Installation and use instructions

ENGLISH.....	2
FRANÇAIS.....	30

## Table of contents

Safety Instructions.....	Page 3 - 4
List of Materials.....	Page 5 - 6
Ducting Calculation Sheet.....	Page 7
Hood Specifications.....	Page 8 - 9
Wiring Diagram.....	Page 10
Cleaning and Maintenance.....	Page 11
Remote Control.....	Page 12
Hood Controls.....	Page 13 - 14
Installation	
Internal Blower.....	Page 15 - 18
External and In-Line Blower.....	Page 19
Range Hood.....	Page 22
Duct Covers.....	Page 23 - 24
Non-Ducted Recirculation Kit.....	Page 25 - 26
Mesh Filters.....	Page 27
List of Parts & Accessories.....	Page 28
Warranty.....	Page 29

# READ AND SAVE THESE INSTRUCTIONS

**⚠ INTENDED FOR DOMESTIC COOKING ONLY ⚠**

## **⚡ 🔥 WARNING**

**TO REDUCE THE RISK OF FIRE, ELECTRIC SHOCK, OR INJURY TO PERSONS, OBSERVE THE FOLLOWING:**

1. Use this unit only in the manner intended by the manufacturer. If you have questions, contact the manufacturer at the address or telephone number listed in the warranty.
2. Before servicing or cleaning unit, switch power off at service panel and lock service panel to prevent power from being switched on accidentally. When the service disconnecting means cannot be locked, securely fasten a prominent warning device, such as a tag, to the service panel.
3. Installation work and electrical wiring must be done by a qualified person(s) in accordance with all applicable codes and standards, including fire-rated construction codes and standards.
4. Sufficient air is needed for proper combustion and exhausting of gases through the flue (chimney) of fuel burning equipment to prevent backdrafting. Follow the heating equipment manufacturer's guidelines and safety standards such as those published by the National Fire Protection Association (NFPA), and the American Society for Heating, Refrigeration and Air Conditioning Engineers (ASHRAE), and the local code authorities.
5. When cutting or drilling into wall or ceiling, do not damage electrical wiring and other hidden utilities.
6. Ducted fans must always be vented to the outdoors.
7. To reduce the risk of fire, use only metal ductwork.

### **GROUNDING INSTRUCTIONS**

This appliance must be grounded. In the event of an electrical short circuit, grounding reduces the risk of electrical shock by providing an escape wire for the electric current.

**WARNING** - Improper grounding can result in a risk of electric shock.

Consult a qualified electrician if the grounding instructions are not completely understood, or if doubt exists as to whether the appliance is properly grounded.

### **WARNING - TO REDUCE THE RISK OF A RANGE TOP GREASE FIRE:**

1. Never leave surface units unattended at high settings. Boilovers cause smoking and greasy spillovers that may ignite. Heat oils slowly on low or medium settings.
2. Always turn hood ON when cooking at high heat or when flambing food (i.e. Crepes Suzette, Cherries Jubilee, Peppercorn Beef Flambe').
3. Clean ventilating fans frequently. Grease should not be allowed to accumulate on fan or filter.
4. Use proper pan size. Always use cookware appropriate for the size of the surface element.
5. Keep fan, filters and grease laden surface clean.
6. Use high range setting on range only when necessary. Heat oil slowly on low to medium setting.
7. Don't leave range unattended when cooking.
8. Always use cookware and utensils appropriate for the type and amount of food being prepared.

## **WARNING**

---

### **TO REDUCE THE RISK OF INJURY TO PERSONS IN THE EVENT OF A RANGE TOP GREASE FIRE, OBSERVE THE FOLLOWING:\***

1. **SMOTHER FLAMES** with a close-fitting lid, cookie sheet, or metal tray, then turn off the burner. **BE CAREFUL TO PREVENT BURNS.** If the flames do not go out immediately, **EVACUATE AND CALL THE FIRE DEPARTMENT.**
2. **NEVER PICK UP A FLAMING PAN** - You may be burned.
3. **DO NOT USE WATER**, including wet dishcloths or towels - violent steam explosion will result.
4. Use an extinguisher **ONLY** if:
  - A. You know you have a Class ABC extinguisher and you already know how to operate it.
  - B. The fire is small and contained in the area where it started.
  - C. The fire department is being called.
  - D. You can fight the fire with your back to an exit.

\* Based on "Kitchen Fire Safety Tips" published by NFPA.

## **CAUTION**

---

1. For indoor use only.
2. To reduce risk of fire and to properly exhaust air, be sure to duct air outside. Do not vent exhaust air into spaces within walls or ceilings or into attics, crawl spaces, or garages.
3. Take care when using cleaning agents or detergents.
4. Avoid using food products that produce flames under the Range Hood.
5. For general ventilating use only. Do not use to exhaust hazardous or explosive materials and vapors.
6. To avoid motor bearing damage and noisy and/or unbalanced impellers, keep drywall spray, construction dust, etc. off power unit.
7. Your hood motor has a thermal overload which will automatically shut off the motor if it becomes overheated. The motor will restart when it cools down. If the motor continues to shut off and restart, have the hood serviced.
8. For best capture of cooking impurities, the bottom of the hood should be no less than 24" above the cooking surface.
9. Two installers are recommended because of the large size and weight of this hood.
10. This product is equipped with a thermostat which may start blower automatically. To reduce the risk of injury and to prevent power from being switched on accidentally, switch power off at service panel and lock or tag service panel.
11. Please read specification label on product for further information and requirements.
12. To reduce risk of fire and electric shock, install this range hood only with Internal Blower Model CBI-290A or CBI-600A, Exterior Blower Model CBE-1000 or In-Line Blower Model PBN-1000A, (manufactured by Pacific Kitchen). Other blowers cannot be substituted. (Blower sold separately)

# LIST OF MATERIALS

---

Layers

- Zephyr blower sold separately

- Non-ducted recirculating kit sold separately

Duct Cover Bracket

Duct Cover Assembly

Remote Blower Collar with Damper  
(External motor)



Remote Blower Wiring  
Harness



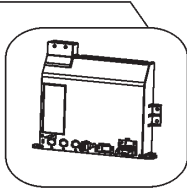
Remote Blower Wiring Extension

Remote Blower Box Cover

Remote Blower Box



Electrical System Box



Box Cover (box marked  
"120 VAC Input")



Box marked  
"120 VAC  
Input"

Glass

Hardware Packet



Led

Mesh Filter

# LIST OF MATERIALS

---

Duo

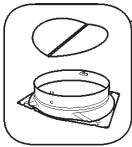
- Zephyr blower sold separately

- Non-ducted recirculating kit sold separately

Duct Cover Bracket

Duct Cover Assembly

Remote Blower Collar with Damper (External motor)



Remote Blower Wiring Harness



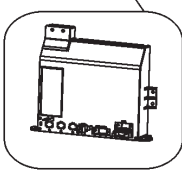
Remote Blower Wiring Extension

Remote Blower Box Cover

Remote Blower Box



Electrical System Box



Box Cover (box marked "120 VAC Input")



Box marked "120 VAC Input"

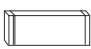


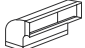
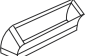


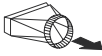
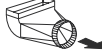


Hardware Packet

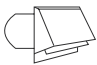


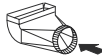


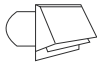


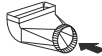


Led

Mesh Filter

# DUCTING CALCULATION SHEET

duct pieces		Equivalent number length x used =	Total
	3-1/4" x 10" Rect., straight	1 Ft. x ( ) =	Ft.
	7" Round, straight	1 Ft. x ( ) =	Ft.
	8" Round, straight	1 Ft. x ( ) =	Ft.
	3-1/4" x 10" Rect.90° elbow	15 Ft. x ( ) =	Ft.
	3-1/4" x 10" Rect.45° elbow	9 Ft. x ( ) =	Ft.
	3-1/4" x 10" Rect.90° flat elbow	24 Ft. x ( ) =	Ft.
	3-1/4" x 10" Rect. wall cap with damper	30 Ft. x ( ) =	Ft.
	3-1/4" x 10" Rect.to 6" round transition	5 Ft. x ( ) =	Ft.
	3-1/4" x 10" Rect.to 6" round transition 90° elbow	20 Ft. x ( ) =	Ft.
	6" Round, 90° elbow	15 Ft. x ( ) =	Ft.
	6" Round, 45° elbow	9 Ft. x ( ) =	Ft.
Subtotal column 1 =			Ft.

duct pieces		Equivalent number length x used =	Total
	6"- 8" Round wall cap with damper	30 Ft. x ( ) =	Ft.
	6"- 8" Round, roof cap	30 Ft. x ( ) =	Ft.
	6" round to 3-1/4" x 10" rect. transition	1 Ft. x ( ) =	Ft.
	6" round to 3-1/4" x 10" rect. transition 90° elbow	16 Ft. x ( ) =	Ft.
	7" or 8" Round, 90° elbow	15 Ft. x ( ) =	Ft.
	7" or 8" Round, 45° elbow	9 Ft. x ( ) =	Ft.
	7" or 8" Round wall cap with damper	30 Ft. x ( ) =	Ft.
	7" or 8" Round, roof cap	30 Ft. x ( ) =	Ft.
	7" round to 3 1/4" x 10" rect. transition	8 Ft. x ( ) =	Ft.
	7" round to 3-1/4" x 10" rect. transition 90° elbow	23 Ft. x ( ) =	Ft.
Subtotal column 2 =			Ft.
Subtotal column 1 =			Ft.
Total Ductwork =			Ft.

## Maximum Duct Length:

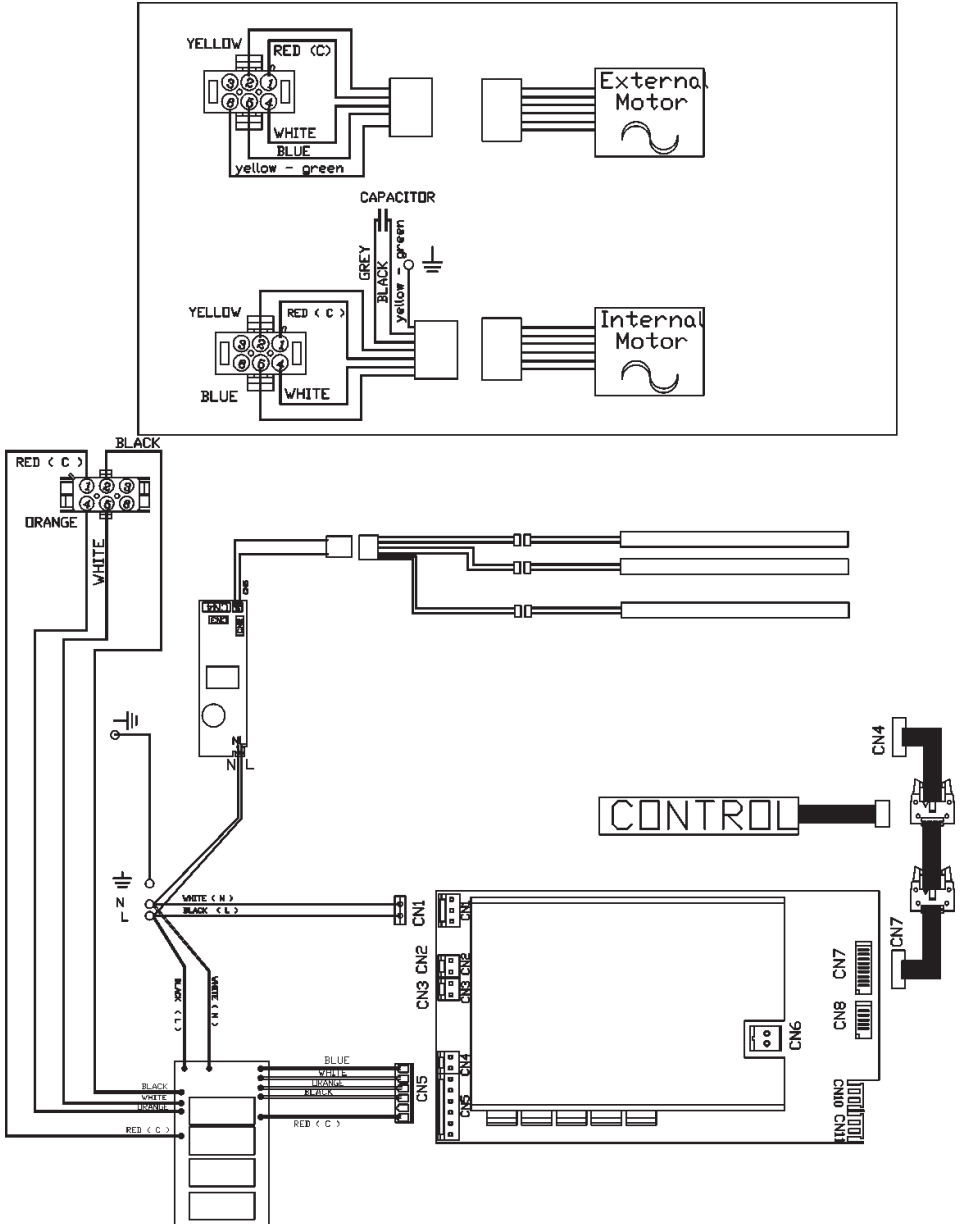
For satisfactory air movement, the total duct length should not exceed 100 equivalent feet.







# WIRING DIAGRAM



# CLEANING AND MAINTENANCE

---

Proper maintenance of the Range Hood will assure proper performance of the unit.

## **Motor**

The motor is permanently lubricated and never needs oiling. If the motor bearings make excessive or unusual noise, replace the motor with the exact service motor. The impeller should also be replaced.

## **Mesh Filters**

The mesh filters should be cleaned frequently. Using warm water with detergent. Mesh filters are dishwasher safe.

Clean all-mesh filters in the dishwasher using a non-phosphate detergent. Discoloration of the filter may occur if using phosphate detergents, or as a result of local water conditions - but this will not affect filter performance. This discoloration is not covered by the warranty. See "MESH FILTERS" section for removal and installation instructions.

## **Non-ducted Charcoal Filter**

The non-ducted charcoal filter should be changed every 6 months or when prompted on the hood controls. Replace more often if your cooking style generates extra grease, such as frying and wok cooking. See "MESH FILTERS" section for removal and installation instructions.

## **LED Lighting**

In the unlikely event that your LED strip fails, please contact Zephyr to order replacement parts and schedule service.

## **Stainless Steel Cleaning**

### **DO:**

- Regularly wash with clean cloth or rag soaked with warm water and mild soap or liquid dish detergent.
- Always clean in the direction of original polish lines.
- Always rinse well with clear water (2 or 3 times) after cleaning. Wipe dry completely.
- You may also use a specialized household stainless steel cleaner.

### **DON'T:**

- Use any steel or stainless steel wool or any other scrapers to remove stubborn dirt.
- Use any harsh or abrasive cleansers.
- Allow dirt to accumulate.
- Let plaster dust or any other construction residues reach the hood. During construction/renovation, cover the range hood to make sure no dust sticks to the stainless steel surface.

### **Avoid: When choosing a detergent**

- Any cleaners that contain bleach will attack stainless steel
- Any products containing: chloride, fluoride, iodide, bromide will deteriorate surfaces rapidly.
- Any combustible products used for cleaning such as acetone, alcohol, ether, benzol, etc., are highly explosive and should never be used close to a range.

# REMOTE CONTROL

## SYNCHRONIZATION:

To synchronize the remote control with the range hood for the first time, proceed as follows:

1. With the range hood off, press and hold the “Power” and “Delay Off” buttons on the remote for 4 seconds (Fig. 1a) until the “Delay Off” indicator on the hood illuminates (Fig.1b).
2. Press the “Delay Off” button on the hood within 4 seconds to confirm the link (Fig. 2). If successful, the “Delay Off” indicator will blink 3 times. The range hood is now synchronized with the remote control. If you experience any problems, repeat the procedure.



FCC Caution: To assure continued compliance, any changes or modifications not expressly approved by the party responsible for compliance could void the user's authority to operate this equipment. (Example - use only shielded interface cables when connecting to computer or peripheral device. This device complies with Part 15 of the FCC Rules. Operation is subject to the following two conditions. (1) This device may not cause harmful interference, and (2) This device must accept any interference received, including interference that may cause undesired operation.

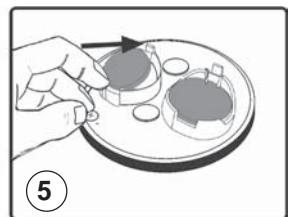
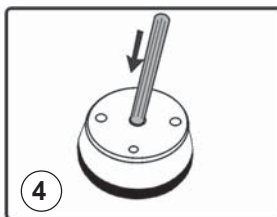
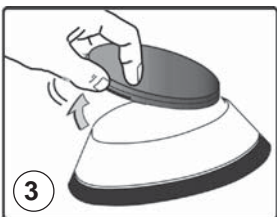
## GENERAL INFORMATION:

- Remove any protective film from the remote surface prior to using it.
- The remote control has a range of approximately 10-15 feet.
- The remote control is equipped with a magnetic base and may be attached to ferrous surface for easy storage.
- The remote top is made of a plastic material and is prone to scratches. Use care when handling and cleaning the remote; we suggest using a microfiber cloth to clean it.
- The remote control will enter a sleep mode after 20 seconds of inactivity to conserve battery life. Press any button for one second to wake the remote.

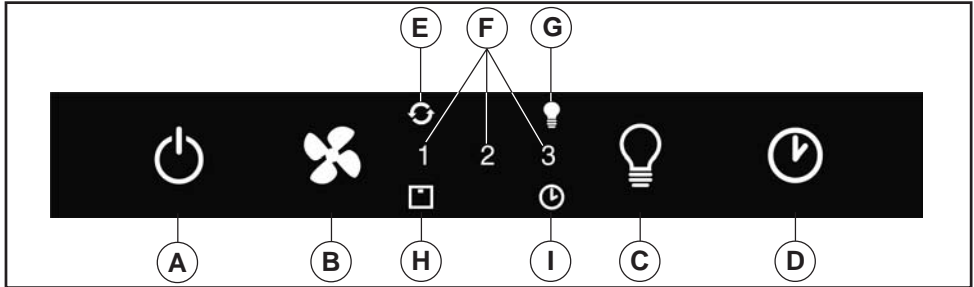
## BATTERY REPLACEMENT:

The batteries will last approximately 8 months, depending on usage.

1. Remove rubber cover from bottom (Fig.3).
2. Using an object such as a screwdriver or pen, gently place it in the center opening in the bottom of the remote and push inwards to dislodge the top touch panel from the remote body. (Fig. 4)
3. Press on the metal spring located in the battery tray to dislodge battery. Replace both batteries with type 3V CR2450 (Fig.5). Re-assemble by following instructions in reverse.



# CONTROLS



## A: Power button

- Power Button will turn power on and off for the entire hood (fan and lights).
- Hood will remember the last speed and light level it was last turned off at. (Example: hood is turned off at when it was last on high speed and high lights; hood will turn back on at high speed and high lights when Power Button is pressed).

## B: Fan Speed button

- From off, press once for low speed (1), twice for medium (2), and three times for high (3).
- Fan should cycle through speeds low (1), medium (2), and high (3) continuously.

## C: Light button

- Lights are three level (high, medium, low).
- From off, touch once for high.
- From off, touch twice for medium.
- From off, touch three times for low.
- From off, touch four times to cycle back to off.
- Light level will cycle from high, medium, low, off.

## D: Delay off button

- Press this button to enable the five minute delay-off function. After five minutes the fan and lights will power off.
- If the fan is already on (example high speed) the fan will change to low speed when the Delay Off Button is pressed and turn off after five minutes.
- When the Delay Off Function is on, the user can still change the fan speed by pressing the Fan Speed Button without interrupting the five minute Delay Off Timer.
- Delay Off Function can be turned off by pressing Delay Off Function button or Power Button.

## G: Light indicator

- Light indicator will turn on when lights are turned on at any light level.

## H: Filter clean and charcoal filter replace indicator

- Mesh filter clean (always enabled):
  - Filter Clean Indicator will illuminate after 30 hours of fan usage indicating it is time to clean the mesh filter. Indicator light will remain illuminated, it will not blink.
  - This function must be reset by the user. With hood off, hold the Fan Speed Button for five seconds, after five seconds the Filter Clean Indicator will turn off and the 30 hour timer will reset.
- Charcoal filter replace (disabled by default, must be enabled by user if recirculating hood):
  - To enable Charcoal Filter Replacement Function:
    - With hood off, hold Fan Speed and Delay Off buttons simultaneously for 5 seconds. Filter Clean Indicator will quickly flash 3 times indicating the Charcoal Filter Replacement Function is enabled. Filter Clean Indicator will continuously blink after 120 hours of unit

fan usage indicating it is time to replace the charcoal filter. Indicator light will blink, it will not remain illuminated.

- This function must be reset by the user. With hood off, hold the Delay Off Button for five seconds, after five seconds the Filter Clean Indicator will stop blinking and turn off and the 120 hour timer will reset.

Order replacement charcoal filter kit number Z0F-01AC through your local dealer, [www.zephyronline.com](http://www.zephyronline.com) or the Zephyr customer service department.

- To disable Charcoal Filter Replacement Function:
  - With hood off, hold Fan Speed and Delay Off buttons simultaneously for 5 seconds. Filter Clean Indicator will illuminate for 3 second then turn off indicating the Charcoal Filter Replacement Function is disabled.

### **I: Delay off indicator**

- Delay Off Indicator will light up when Delay Off Function is activated by pressing the Delay Off Button.
- Delay Off Indicator will turn off after the Delay Off Function has completed the five minute cycle or if the user presses the Delay Off Button again or the Power Button.

### **E: Clean air indicator**

- Clean Air Indicator is disabled by default and must be enabled by the user.
- To enable Clean Air Function:
  - With hood off, hold the Power Button down for five seconds. Clean Air Indicator light will illuminate, and the fan will turn on low speed for 10 minutes. After 10 minutes the fan will turn off and the 4 hour timer will begin. Clean Air Indicator will remain on when Clean Air Function is enabled, even if fan is not on. When Clean Air Function is enabled, every four hours of non fan usage the fan will automatically turn on at low speed for 10 minutes. After 10 minutes the fan will turn off and the 4 hour timer will reset. When the Clean Air Function automatically turns the fan on the Clean Air Indicator will blink and the Low Speed fan indicator will illuminate. If the user changes the fan speed while the Clean Air Function is operating, the Clean Air Indicator will stop blinking but will remain illuminated. When the user manually turns the hood off the 4 hour timer will reset.
- To disable Clean Air Function:
  - With hood off, hold Power Button down for five seconds until Clean Air Indicator light turns off.

Note1: Changing the fan speed and interrupting the Clean Air Function while it is operating does not disable the Clean Air Function. Clean Air Function will only be disabled by holding the Power Button for 5 seconds.

Note 2: Turning lights on/off does not disable the Clean Air Function.

### **F: Fan Speed indicator**

- 1 = Low
- 2 = Medium
- 3 = High
- On speed low, only number 1 indicator will be on.
- On speed medium, 1 and 2 indicator will be on.
- On speed high, 1, 2 and 3 indicators will be on.
- When fan off, no fan speed indicator will be on.

## **LED LIGHT STRIP**

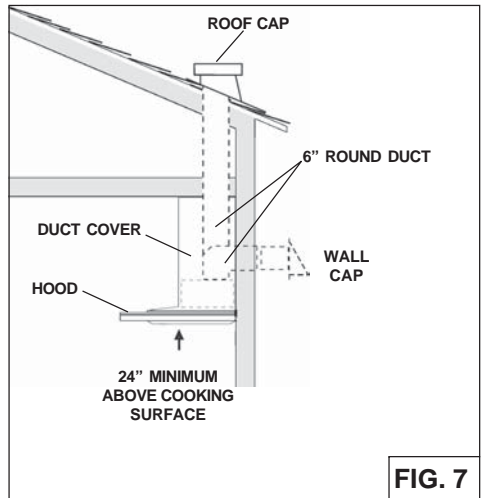
---

If the LED is damaged, it must be replaced only by the manufacturer, its service agent or similarly qualified persons in order to avoid a hazard.

## INSTALLING THE DUCTWORK: INTERNAL BLOWER

**NOTE:** To reduce the risk of fire, use only metal ductwork.

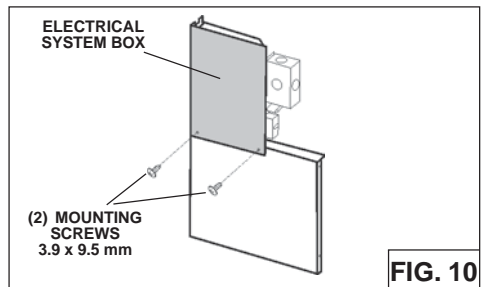
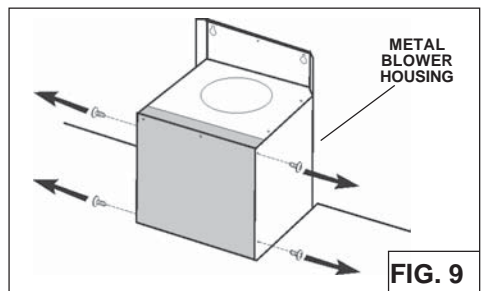
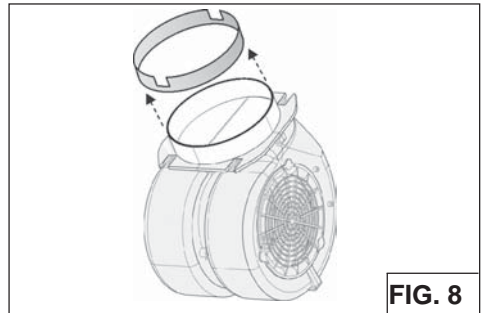
1. Decide where the ductwork will run between the hood and the outside.
2. A straight, short duct run using a minimum 6" round duct will allow the hood to perform most efficiently.
3. Long duct runs, elbows, and transitions will reduce the performance of the hood. Use as few of them as possible.
4. Install a roof or wall cap. Connect round metal ductwork to cap and work back towards hood location. Use duct tape to seal the joints between ductwork sections (Fig.7).



## INSTALLING THE INTERNAL BLOWER

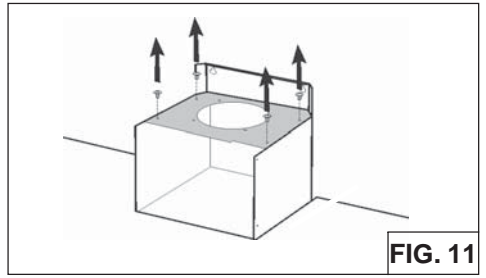
**NOTE:** The following instructions are for installing the internal blower only. Install this range hood only with internal blower model CBI-290A or CBI-600A.

1. Remove the electrical system box from chimney frame by removing duct tape.
2. Remove the 6" metallic flange provided on the blower's air outlet (the flange may already be pre-installed) (Fig.8).
3. Remove the front plate from the metal blower housing by unscrewing (4) 3.9x9.5 mm screws (Fig.9).
4. Attach electrical system box to front plate using (2) 3.9 x 9.5 mm screws from

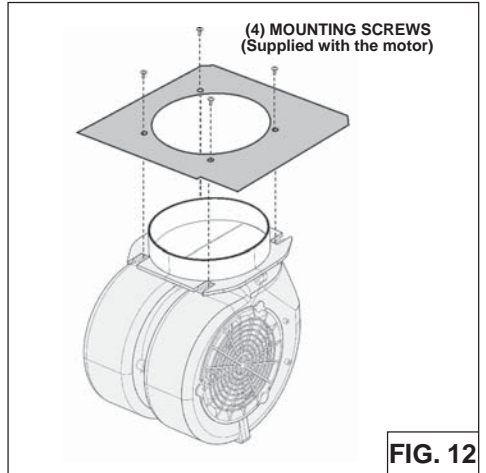


hardware bag (Fig.10).

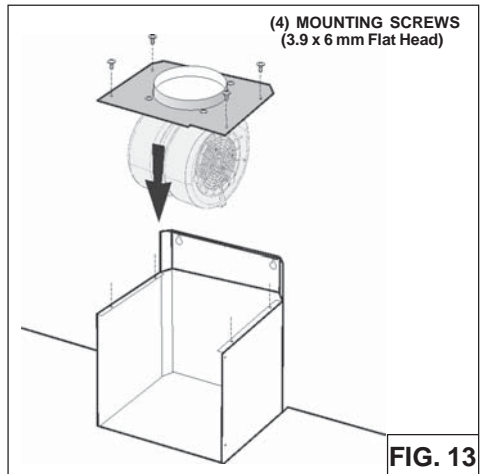
5. Remove the blower plate unscrewing the (4) 3.9x9.5 mm screws (Fig.11).



6. Install internal blower into blower plate and secure using (4) screws (supplied with the internal blower) - See Fig.12.



7. Install blower using (4) 3,9 x 6mm mounting screws (Fig.13).

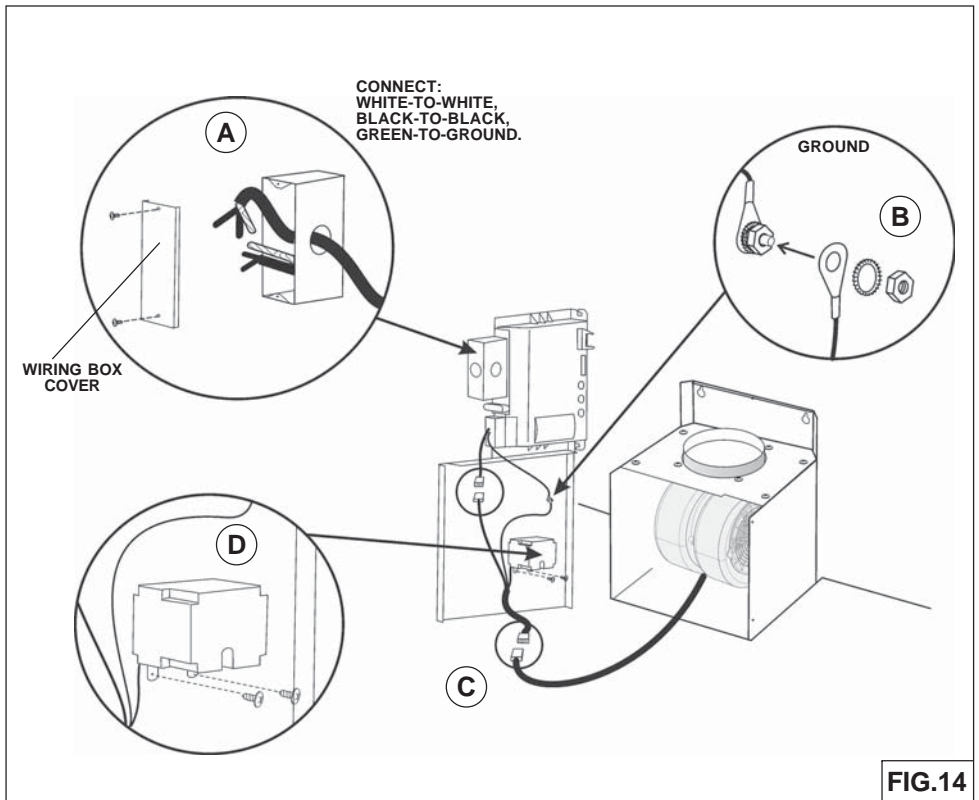




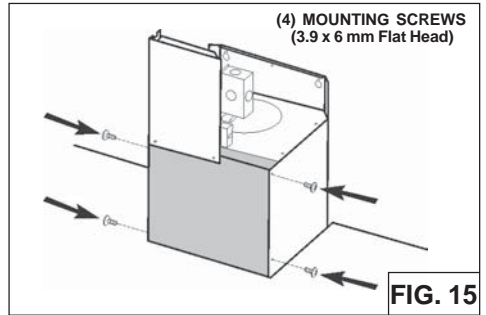
## INTERNAL BLOWER WIRING

**Note:** This range hood must be properly grounded. The unit should be installed by a qualified electrician in accordance with all applicable national and local electrical codes.

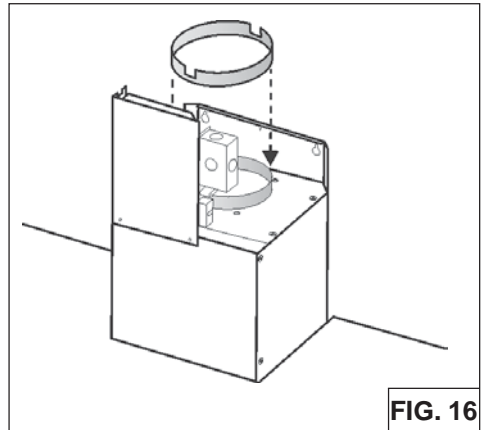
1. Make connections (A, B,C) (Fig.14).
2. Secure capacitor box screwing the (2) 3.9x9.5 mm screws (Fig.14D).
3. Remove the **wiring box cover**. Remove a knockout from the wiring box (Fig.14A).
4. Secure the conduit to the wiring box through a conduit connector.
5. Make electrical connections. Connect white to white, black to black and green to ground.
6. Replace wiring box cover and screws. Make sure that wires are not pinched between cover and box.



8. Install the front plate and electrical system box using (4) 3.9x6 mm screws (Fig.15).



9. Place the 6" metallic flange provided on the blower's air outlet (Fig.16).



## REMOTE BLOWERS (EXTERNAL AND IN-LINE)

---

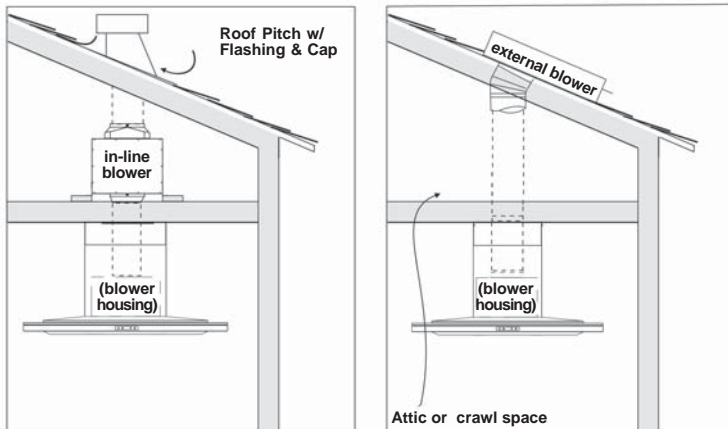
**CAUTION:** To reduce risk of fire and electric shock, install this range hood only with External Blower Model CBE-1000, and In-Line Blower Model PBN-1000A. Other blowers cannot be substituted.

### INSTALLING THE DUCTWORK: REMOTE BLOWER

---

**NOTE:** To reduce the risk of fire, use only metal ductwork.

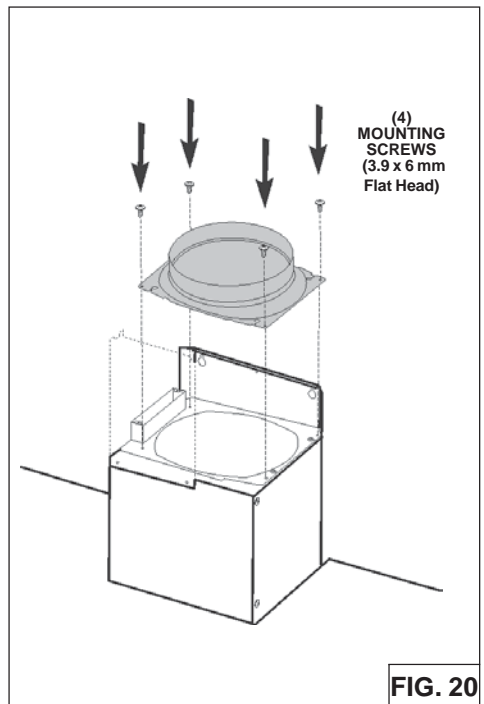
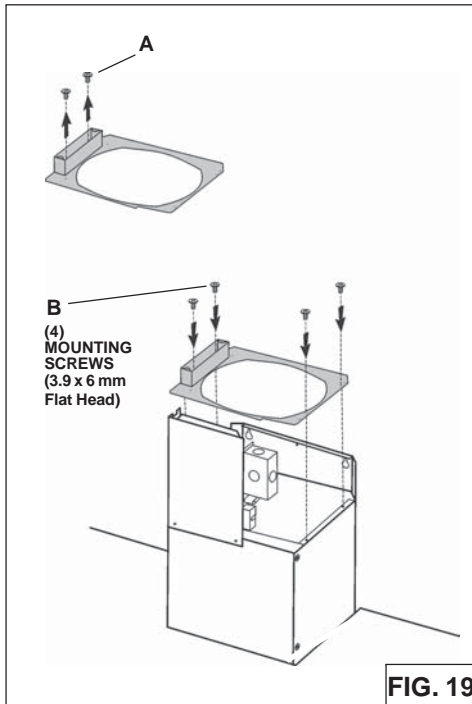
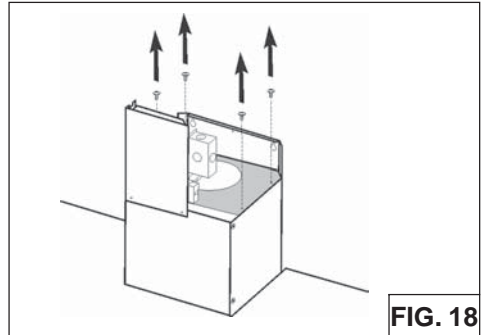
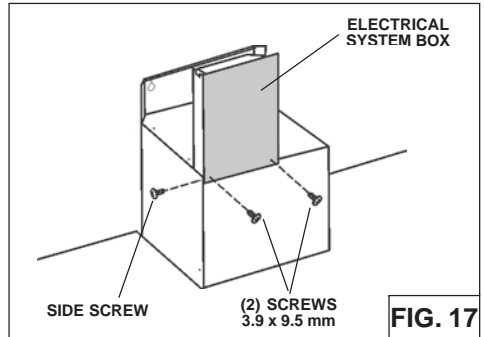
1. Choose the location where the External Blower or In-Line Blower will be mounted. See illustrations below for mounting location suggestions and restrictions.
2. A straight, short duct run using a minimum 8" round duct will allow the hood to perform most efficiently.
3. Long duct runs, elbows and transitions will reduce the performance of the hood. Use as few of them as possible. Larger ducting may be required for best performance with long duct runs.
4. After the External or In-Line Blower has been installed, connect round metal ductwork and work back towards the hood location. Use duct tape to seal joints between ductwork sections.



# INSTALLING THE REMOTE BLOWER

**NOTE:** The following instructions are for preparing the hood for use with external or in-line blower models CBE-1000 or PBN-1000A. For blower installation details refer to manual included with the blower.

1. Remove the electrical system box from chimney frame by removing duct tape.
2. Remove side screw (Fig.17) and mount electrical system box by means of (2) 3,9x9,5 mm screws; re-fix the side screw.
3. Remove the blower plate unscrewing the (4) 3.9x6 mm screws (Fig.18).
4. Remove (2) screws (Fig.19A), position the external blower plate and remote blower box over blower housing and fix using (4) 3.9x6 mm screws (Fig.19B).
5. Install 8" round blower collar to top of blower housing screwing the (4) 3.9x6 mm screws (Fig.20)

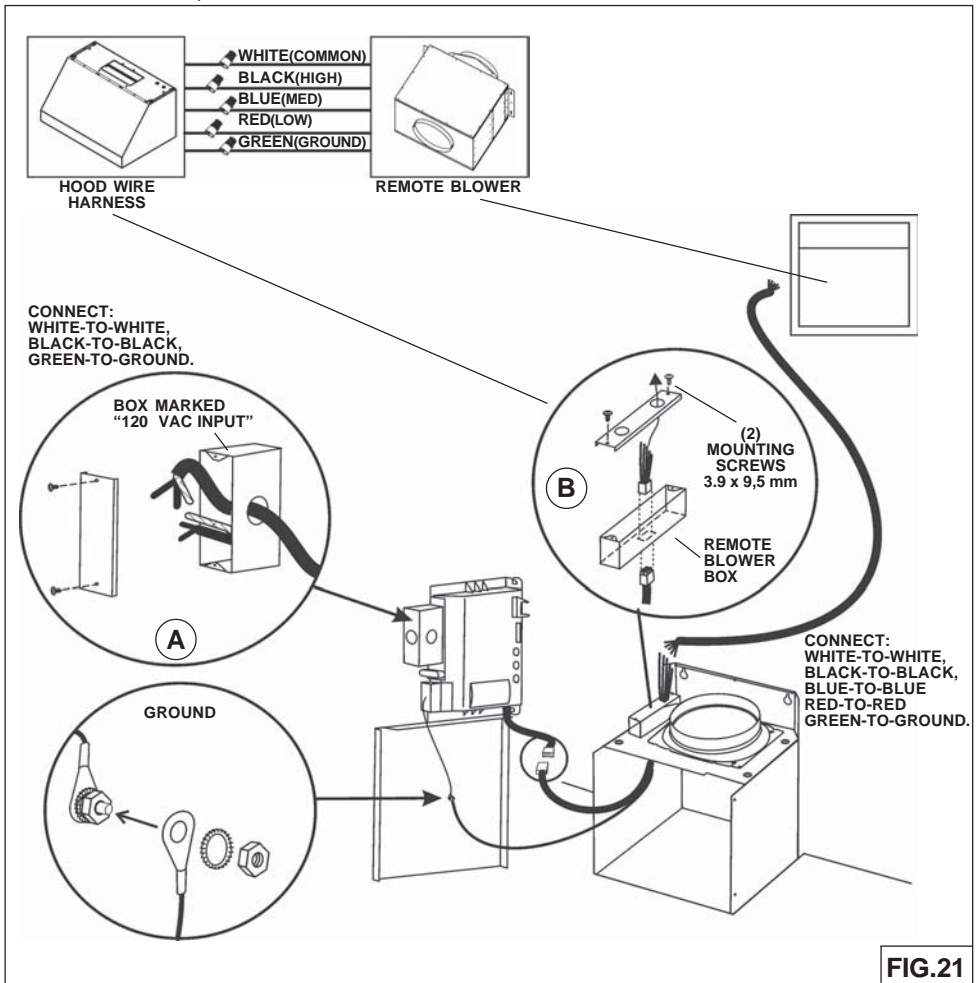


## REMOTE BLOWER WIRING

1. Remove the cover from the wiring box marked "120 Vac input".
2. Remove one knockout from the (2) wiring boxes (box marked "120 Vac input" and box marked "motor connection").
3. Run 4-wire plus ground power cable from the remote blower to the remote blower wiring box marked "motor connection" (Fig.21B).
4. Feed 6" of cable through the knockout opening and secure the cable to the wiring box with an appropriate connector.
5. Make electrical connections at the hood (box marked 120 Vac input). Connect white-to-white, black-to-black, green-to-ground (Fig.21A).
6. Make electrical connections (remote blower box marked "motor connection"). Connect white-to-white, black-to-black, blue-to-blue, red-to-red, green-to-ground (Fig.21B).
7. Mount the wiring box covers and screws. Make sure wires are not pinched between the cover and box.

### External blower connection:

1. Make electrical connections at the remote blower (see instructions provided with the remote blower).



## INSTALL THE HOOD

Remove the plastic protective film from all exterior surfaces, duct covers and filters, prior to final installation

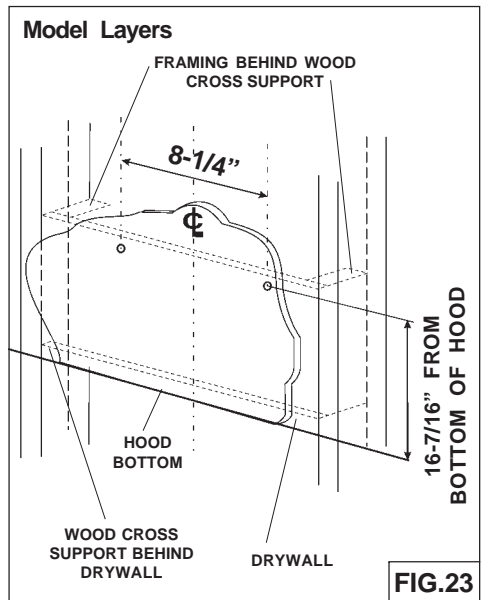
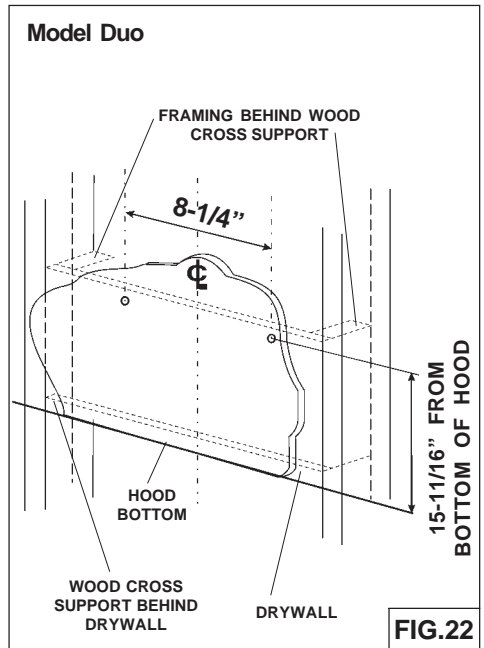
1. Construct wood wall framing that is flush with interior surface of wall studs (Fig.22/23).

Make sure:

- the framing is centered over installation location.
  - the height of the framing will allow the hood to be secured to the framing within the dimensions shown.
2. Determine desired height over cook top and mark hood bottom line. Install drywall anchors and 4,8x38mm screws per dimensions shown in Fig. 22/23.
3. Hang the hood onto the screws.
4. Tighten mounting screws. Add additional screws through hood body as needed for additional support.

Notes:

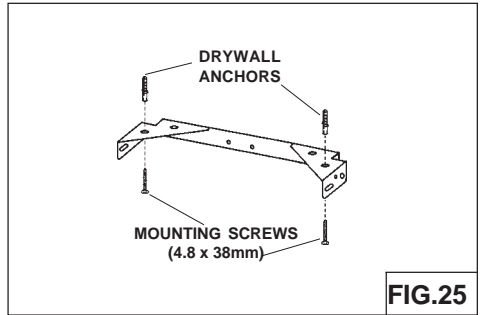
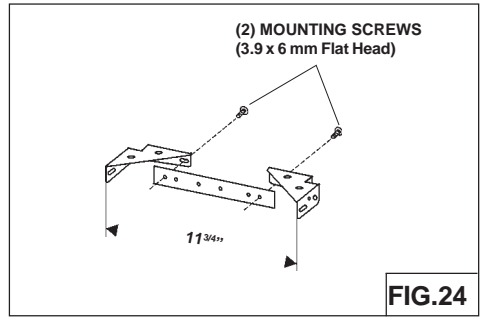
- Minimum hood distance above cook top must not be less than 24". A maximum of 36" above cook top is highly recommended for best capture of cooking impurities. Distances over 36" are at the installer and the users discretion; and if ceiling height and flue lenght permit.



# INSTALL DUCT COVER MOUNTING BRACKET

## DUCTED AND NON-DUCTED

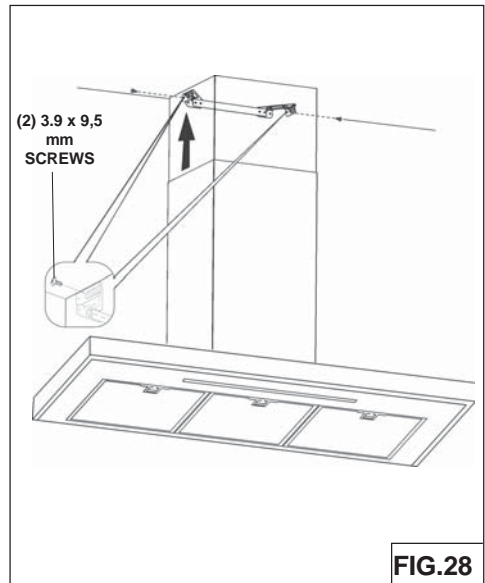
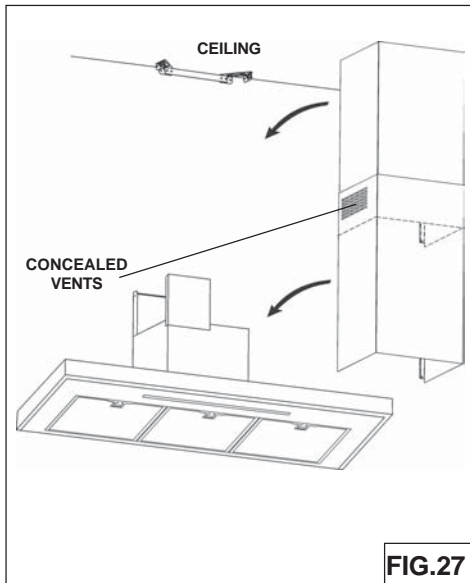
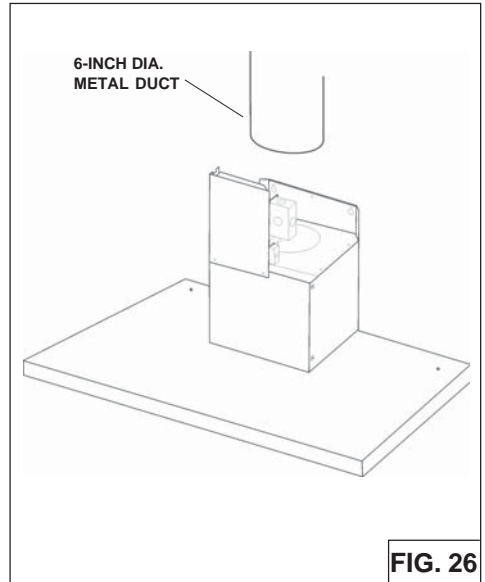
1. Assemble the duct cover mounting bracket, adjusting outside width as shown. (Fig.24)
2. **Carefully** center the mounting bracket directly over the range hood location.
3. Secure the bracket assembly to the ceiling using (2) 4.8 x 38mm mounting screws and drywall anchors (Fig.25). Make sure the bracket is pushed into the corner, tight against the wall if necessary, and centered over the hood.



## DUCTED INSTALLATION ONLY

**Note:** Rooms with 10 to 12 foot ceiling require duct cover extension model Z1C-00LA, available from your local dealer. Discard the upper duct cover supplied with the range hood and replace it with the longer flue extension.

1. Run 6-inch diameter metal ductwork to the outside location (Fig.26).
2. Install an appropriate wall or roof cap with damper to exhaust the air to the outside.
3. Tape all duct joints with aluminum duct tape.
4. Install upper and lower duct covers onto the range hood (Fig.27).
5. Secure upper duct cover to duct cover mounting bracket with (2) 3.9 x 9,5 mm screws (Fig.28).

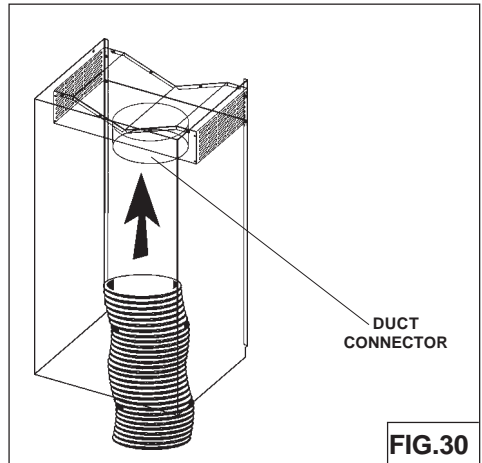
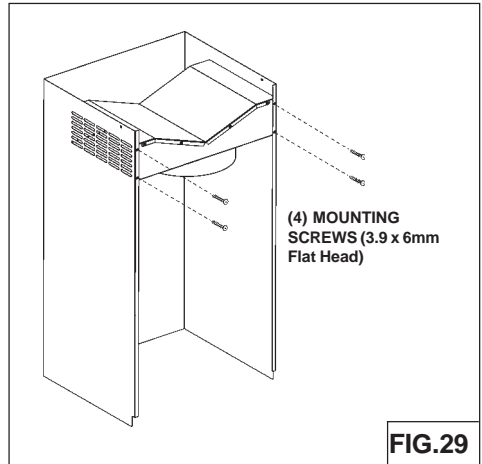




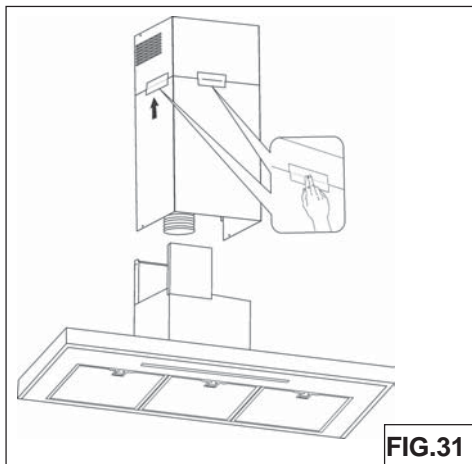
## NON-DUCTED INSTALLATION ONLY

### Note:

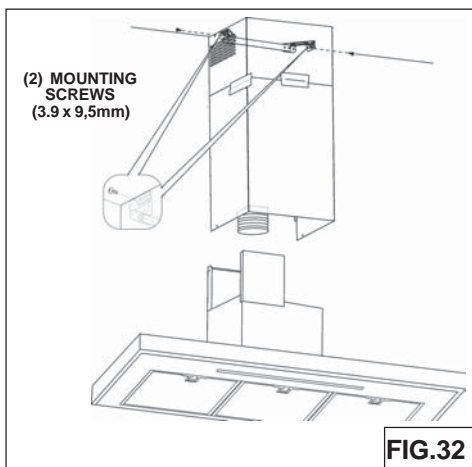
- a. Purchase Model ZRC-01LA Non-ducted Recirculating Kit from your local dealer, sold separately.
  - b. Rooms with 10 to 12 foot ceilings require duct cover extension model Z1C-00LA, available from your local dealer. Discard the upper duct cover supplied with the range hood and replace it with the longer duct cover extension.
1. Install the plenum to the upper duct cover using (4) 3.9 x 6 mm screws provided as shown (Fig.29).
  2. Install the 6" duct connector.
  3. Attach 6-inch expandable ducting to the plenum and tape joint with aluminum duct tape (Fig.30).



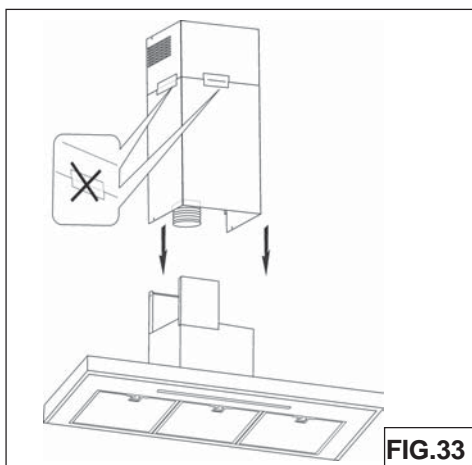
4. Temporarily secure the upper and lower duct covers together with duct tape as shown (Fig.31).



5. Lift the duct covers into position above the hood. Secure upper duct cover to the duct covers mounting bracket with (2) 3.9 x 9,5 mm screws (Fig.32).



6. Remove tape from duct covers and lower into position on the hood (Fig.33).



## MESH FILTERS

---

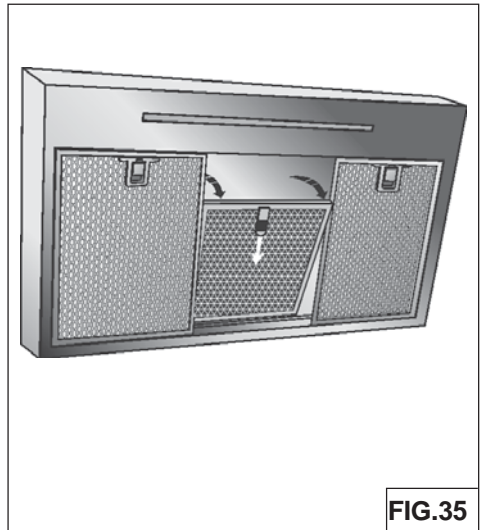
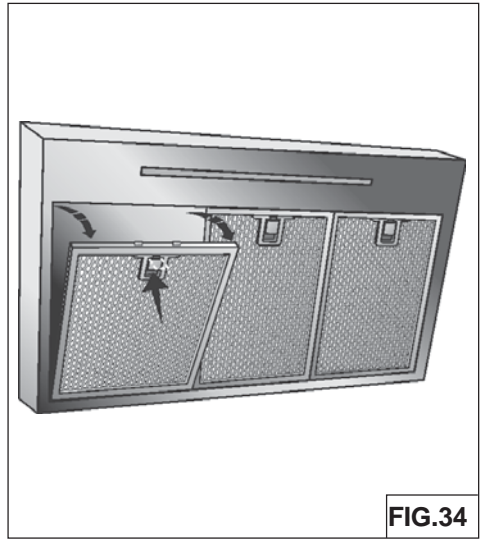
NOTE: prior to use, remove protective film from the filter frame.

### DUCTED AND NON-DUCTED HOODS

1. To remove the MESH filter, pull down on latch tab to disengage the filter from the hood. Tilt the filter downward and remove (Fig.34).
2. To install the MESH filter, align rear filter tabs with slots in the hood. Pull latch tab down. Push filter into place and release tab. Make sure the filter is securely engaged after installation.

### NON-DUCTED HOODS ONLY

1. To remove the CHARCOAL filter, grip and push filter tab toward rear of hood. Pull the filter down to disengage the rear filter tabs (Fig.35).
2. To install the CHARCOAL filter, align filter in rectangular opening. Push filter against springs in rear of hood and press into place. Make sure the filter is securely engaged after assembly.
3. Install MESH filter after charcoal filter is installed.
4. The charcoal filter replacement model is ZOF-01AC.



DESCRIPTION	HOOD	PART#
<b>REPLACEMENT PARTS</b>		
Metal Mesh Filter	ADU	50200031
Metal Mesh Filter	ALA	50200033
<b>OPTIONAL ACCESSORIES</b>		
Recirculating Kit	ADU-ALA	ZRC-01LA
Replacement Charcoal Filters	ADU-ALA	Z0F-01AC
Extension Flue up to 12'	ADU-ALA	Z1C-00LA

To order parts, visit us online at <http://store.zephyronline.com> or call us at 1.888.880.8368

# ZEPHYR

Limited Warranty

STAPLE YOUR RECEIPT HERE  
Proof of the original purchase  
date is needed to obtain  
service under warranty

TO OBTAIN SERVICE UNDER WARRANTY OR FOR ANY SERVICE RELATED QUESTIONS, please call:  
1-888-880-8368

Zephyr Ventilation, LLC (referred to herein as "we" or "us") warrants to the original consumer purchaser (referred to herein as "you" or "your") of Zephyr products (the "Products") that such Products will be free from defects in materials or workmanship as follows:

**One Year Limited Warranty for Parts:** For one year from the date of your original purchase of the Products, we will provide, free of charge, Products or parts (including LED light bulbs, if applicable) to replace those that failed due to manufacturing defects. We may choose, in our sole discretion, to repair or replace parts before we elect to replace the Products.

**One Year Limited Warranty for Labor:** For one year from the date of your original purchase of the Products, we will provide, free of charge, the labor cost associated with repairing the Products or parts to replace those that failed due to manufacturing defects. After the first year from the date of your original purchase, you are responsible for all labor costs associated with this warranty.

**Warranty Exclusions:** This warranty covers only repair or replacement, at our option, of defective Products or parts and does not cover any other costs related to the Products including but not limited to: (a) normal maintenance and service required for the Products and consumable parts such as fluorescent, incandescent or halogen light bulbs, mesh and charcoal filters and fuses; (b) any Products or parts which have been subject to freight damage, misuse, negligence, accident, faulty installation or installation contrary to recommended installation instructions, improper maintenance or repair (other than by us); (c) commercial use of the Products or use otherwise inconsistent with its intended purpose; (d) natural wear of the finish of the Products or wear caused by improper maintenance, use of corrosive and abrasive cleaning products, pads, and oven cleaner products; (e) chips, dents or cracks caused by abuse or misuse of the Products; (f) service trips to your home to teach you how to use the Products; (g) damage to the Products caused by accident, fire, floods, acts of God; or (h) Custom installations or alterations that impact serviceability of the Products. If you are outside our service area, additional charges may apply for shipping costs for warranty repair at our designated service locations and for the travel cost to have a service technician come to your home to repair, remove or reinstall the Products. After the first year from the date of your original purchase, you are also responsible for all labor costs associated with this warranty.

**Limitations of Warranty.** OUR OBLIGATION TO REPAIR OR REPLACE, AT OUR OPTION, SHALL BE YOUR SOLE AND EXCLUSIVE REMEDY UNDER THIS WARRANTY. WE SHALL NOT BE LIABLE FOR INCIDENTAL, CONSEQUENTIAL OR SPECIAL DAMAGES ARISING OUT OF OR IN CONNECTION WITH THE USE OR PERFORMANCE OF THE PRODUCTS. THE EXPRESS WARRANTIES IN THE PRECEDING SECTION ARE EXCLUSIVE AND IN LIEU OF ALL OTHER EXPRESS WARRANTIES. WE HEREBY DISCLAIM AND EXCLUDE ALL OTHER EXPRESS WARRANTIES FOR THE PRODUCTS, AND DISCLAIM AND EXCLUDE ALL WARRANTIES IMPLIED BY LAW, INCLUDING THOSE OF MERCHANTABILITY AND FITNESS FOR A PARTICULAR PURPOSE. Some states or provinces do not allow limitations on the duration of an implied warranty or the exclusion or limitation of incidental or consequential damages, so the above limitations or exclusions may not apply to you. To the extent that applicable law prohibits the exclusion of implied warranties, the duration of any applicable implied warranty is limited to the same one-year period described above. Any oral or written description of the Products is for the sole purpose of identifying the Products and shall not be construed as an express warranty. Prior to using, implementing or permitting use of the Products, you shall determine the suitability of the Products for the intended use, and you shall assume all risk and liability whatsoever in connection with such determination. We reserve the right to use functionally equivalent refurbished or reconditioned parts or Products as warranty replacements or as part of warranty service. This warranty is not transferable from the original purchaser and applies in the United States and Canada.

**To Obtain Service Under Limited Warranty:** To qualify for warranty service, you must: (a) notify us at the address or telephone number stated below within 60 days of the discovery of the defect; (b) give the model number and part identification number and serial number; and (c) describe the nature of any defect in the Product or part. At the time of the request for warranty service, you must present evidence of your proof of purchase and proof of the original purchase date. If we determine that the warranty exclusions listed above apply or if you fail to provide the necessary documentation to obtain service, you will be responsible for all shipping, travel, labor and other costs related to the services.

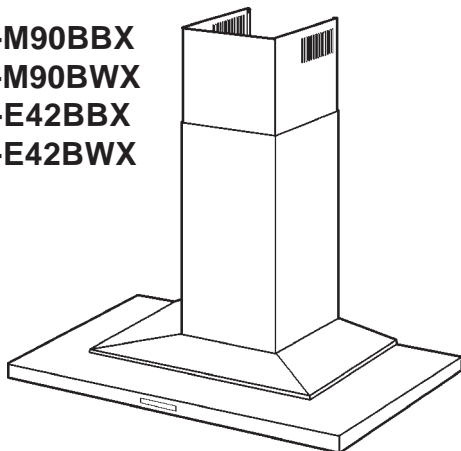
Please check our website for any revisions, [www.zephyronline.com](http://www.zephyronline.com).

Zephyr Ventilation Service Department, 2277 Harbor Bay Parkway, Alameda, CA 94502 1-888-880-8368

AUG14.0201

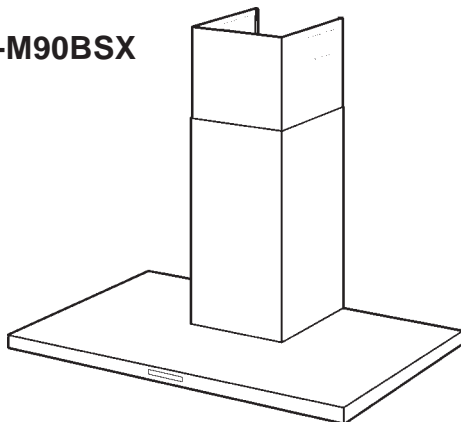
## Layers Wall

ALA-M90BBX  
ALA-M90BWX  
ALA-E42BBX  
ALA-E42BWX



## Duo Wall

ADU-M90BSX



## Sommaire

Instructions de sécurité.....	Page 32 - 33
Liste des matériaux.....	Page 34 - 35
Feuille pour calculer les conduits.....	Page 36
Specifications techniques.....	Page 37 - 38
Schéma électrique.....	Page 39
Nettoyage et entretien.....	Page 40
Télécommande.....	Page 41
Fonction des touches.....	Page 42 - 44
Installation	
Ventilateur Intérieur.....	Page 45 - 48
Ventilateur externe ou In-Line.....	Page 49 - 51
Hotte.....	Page 52
Conduit Décoratif.....	Page 53 - 54
Kit de recirculation.....	Page 55 - 56
Filtres.....	Page 57
Liste des pièces et accessoires.....	Page 58
Garantie.....	Page 59

# LIRE CES DIRECTIVES ET LES CONSERVER

**⚠ CONÇUE POUR LES CUISINES PRIVÉES UNIQUEMENT ⚠**

**⚠ ⚠ AVERTISSEMENTS**

**POUR RÉDUIRE LES RISQUES D'INCENDIE, D'ÉLECTROCUTION OU DE BLESSURES PHYSIQUES, RESPECTEZ LES INSTRUCTIONS CI-DESSOUS:**

1. Utilisez cet appareil uniquement de la manière prévue par le fabricant. Si vous avez des questions, contactez le fabricant à l'adresse ou au numéro de téléphone indiqués dans la garantie.
2. Avant d'effectuer l'entretien ou le nettoyage de l'appareil, mettez-le hors tension sur le panneau de service et verrouillez ce dernier pour éviter que l'appareil soit mis sous tension par inadvertance. S'il n'est pas possible de verrouiller le dispositif de déconnexion, apposez un avertissement bien visible (par exemple une étiquette) sur le panneau de service.
3. L'installation et le raccordement électrique doivent être effectués par du personnel qualifié conformément à toutes les réglementations et normes en vigueur, y compris celles concernant les constructions cotées pour leur résistance au feu.
4. Afin d'éviter un refoulement lors de l'utilisation d'équipements à combustible, une quantité d'air suffisante est nécessaire pour assurer une combustion et un échappement adéquats des gaz à travers le conduit (la cheminée). Suivez les consignes du fabricant de l'équipement chauffant et les normes de sécurité publiées, entre autres, par l'Association nationale de protection contre l'incendie (NFPA) et l'American Society for Heating, Refrigeration and Air Conditioning Engineers (ASHRAE), ainsi que les réglementations locales.
5. Quand vous effectuez une découpe ou un forage dans un mur ou un plafond, veillez à ne pas endommager des câblages électriques ou d'autres équipements non visibles.
6. Les soufflantes canalisées doivent toujours être dirigées vers l'extérieur.
7. Pour réduire les risques d'incendie, utilisez uniquement des canalisations en métal.

## **INSTRUCTIONS DE MISE À LA TERRE**

Cet appareil doit être mis à la terre. En cas de court-circuit électrique, la mise à la terre réduit le risque d'électrocution grâce à un fil permettant au courant électrique de s'échapper.

**AVERTISSEMENT** - Une mise à la terre inappropriée peut donner lieu à un risque d'électrocution.

Consultez un électricien qualifié si vous ne comprenez pas parfaitement les instructions de mise à la terre ou si vous n'êtes pas certain(e) que l'appareil est mis à la terre comme il se doit.

## **AVERTISSEMENT - POUR RÉDUIRE LE RISQUE D'UN FEU DE FRITURE SUR LA TABLE DE CUISSON**

1. Ne laissez jamais les appareils de surface sans surveillance quand ils sont sur un réglage élevé. Les débordements peuvent provoquer de la fumée et des déversements gras risquant de prendre feu. Chauffez les huiles lentement sur un réglage bas ou moyen.
2. ALLUMEZ toujours la hotte quand vous cuisinez à une chaleur élevée ou quand vous flambez des aliments (p. ex. des crêpes Suzette, des cerises jubilé ou du boeuf au poivre flambé).
3. Nettoyez souvent les ventilateurs d'aération. Évitez que de la graisse s'accumule sur le ventilateur ou le filtre.
4. Utilisez des poêles de la taille appropriée. Utilisez toujours des ustensiles de cuisine adaptés à la taille de l'élément de surface.
5. Veiller à ce que le moteur, les filtres et la surface où viennent s'accumuler les graisses restent propres.
6. N'utiliser une flamme élevée que lorsque cela est nécessaire. Réchauffer l'huile lentement, à faible ou moyenne température.
7. Ne jamais laisser la cuisinière sans surveillance pendant la cuisson.
8. Utiliser systématiquement des ustensiles de cuisine adaptés au type et à la quantité d'aliments que l'on prépare.



## **AVERTISSEMENTS**

### **POUR RÉDUIRE LE RISQUE DE BLESSURES PHYSIQUES EN CAS DE FEU DE FRITURE SUR LA TABLE DE CUISSON, VEUILLEZ PROCÉDER COMME SUIT :\***

1. **ÉTOUFFEZ LES FLAMMES** avec un couvercle hermétique, une plaque à biscuits ou un plateau en métal, puis éteignez le brûleur. **SOYEZ PRUDENT(E) AFIN D'ÉVITER LES BRÛLURES.** Si les flammes ne s'éteignent pas immédiatement, **ÉVACUEZ LE LIEU ET APPELEZ LE SERVICE DES POMPIERS.**
  2. **NE SAISISSEZ JAMAIS UNE POÊLE ENFLAMMÉE,** vous risquez de vous brûler.
  3. **N'UTILISEZ JAMAIS D'EAU** ni de torchons ou serviettes mouillé(e)s : cela donnerait lieu à une violente explosion de vapeur.
  4. Utilisez un extincteur **UNIQUEMENT** si :
    - A. Vous savez qu'il s'agit d'un extincteur de Classe ABC et savez déjà comment vous en servir.
    - B. L'incendie est de petite taille et confiné à l'endroit où il a commencé.
    - C. Le service des pompiers a été averti.
    - D. Vous pouvez éteindre l'incendie en ayant une sortie derrière vous.
- \* Basé sur « Kitchen Fire Safety Tips », publié par la NFPA.

## **ATTENTION**

1. Uniquement pour l'utilisation intérieure.
2. Pour réduire le risque d'incendie et obtenir un échappement d'air adéquat, veillez à bien canaliser l'air vers l'extérieur. Ne ventilez pas l'air d'échappement vers des espaces confinés, des plafonds, des combles, des vides sanitaires ou des garages.
3. Soyez prudent(e) quand vous utilisez des agents de nettoyage ou des détergents.
4. Évitez d'utiliser sous la hotte de cuisine des denrées alimentaires produisant des flammes.
5. À utiliser uniquement pour la ventilation générale. N'utilisez pas la hotte pour l'échappement de matériaux ou de vapeurs comportant un danger ou un risque d'explosion.
6. Pour éviter que le roulement moteur s'endommage et que des hélices deviennent bruyantes ou déséquilibrées, faites en sorte que le bloc d'alimentation n'entre pas en contact avec un atomiseur pour cloisons sèches, de la poussière de construction, etc.
7. Le moteur de la hotte est doté d'un rupteur thermique qui éteint automatiquement le moteur en cas de surchauffe. Le moteur redémarrera après avoir refroidi. Si le moteur s'éteint et se rallume constamment, faites réparer la hotte.
8. Pour mieux capturer les impuretés de cuisson, la partie inférieure de la hotte doit se trouver à min 61 cm (24") au-dessus de la surface de cuisson.
9. Étant donné la taille et le poids de la hotte, il est conseillé d'avoir recours à deux personnes pour la monter.
10. Ce produit est doté d'un thermostat qui peut activer la soufflante automatiquement. Pour éviter les risques de blessure et l'allumage accidentel de la hotte, mettez-la hors tension sur le panneau de service et verrouillez ce dernier ou fixez-y une étiquette d'avertissement.
11. Pour en savoir plus et connaître les exigences sur le produit, veuillez lire l'étiquette des spécifications.
12. Pour réduire les risques d'incendie ou de choc électrique, installez cette hotte uniquement avec les modèles de ventilateur intérieur CBI-290A ou CBI-600A, ou les modèles de ventilateur extérieur CBE-1000 ou intermédiaire PBN-1000A, (fabriqué par Pacific Kitchen).  
Aucun autre ventilateur ne peut être substitué (Ventilateur vendu séparément).

# LISTE DES MATERIAUX

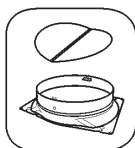
Layers

- Le moteur Zephyr est vendu séparément.
- Le kit de recirculation est vendu séparément.

Support de conduit décoratif

Ensemble Conduit Décoratif

Raccord avec clapet du ventilateur extérieur (Ventilateur externe)



Harnais Câblage Ventilateur extérieur

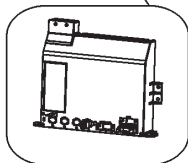
Exstension Câblage Ventilateur extérieur



Couvercle boîte du ventilateur extérieur

Boîte du ventilateur extérieur

Ensemble tableau électrique



Couvercle boîte portant inscription "120 VAC Input"

boîte portant inscription "120 VAC Input"

Verre

Accessoire de fixation



Del

Filtre à graisse

# LISTE DES MATERIAUX

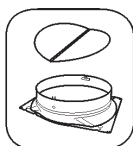
Duo

- Le moteur Zephyr est vendu séparément.
- Le kit de recirculation est vendu séparément.

Support de conduit décoratif

Ensemble Conduit Décoratif

Raccord avec clapet du ventilateur  
extérieur (Ventilateur externe)



Harnais Câblage Ventilateur  
externe  
Extension Câblage Ventilateur  
externe

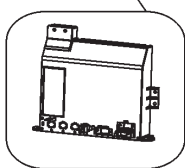


Couvercle boîte du ventilateur extérieur

Boîte du ventilateur extérieur



Ensemble tableau électrique

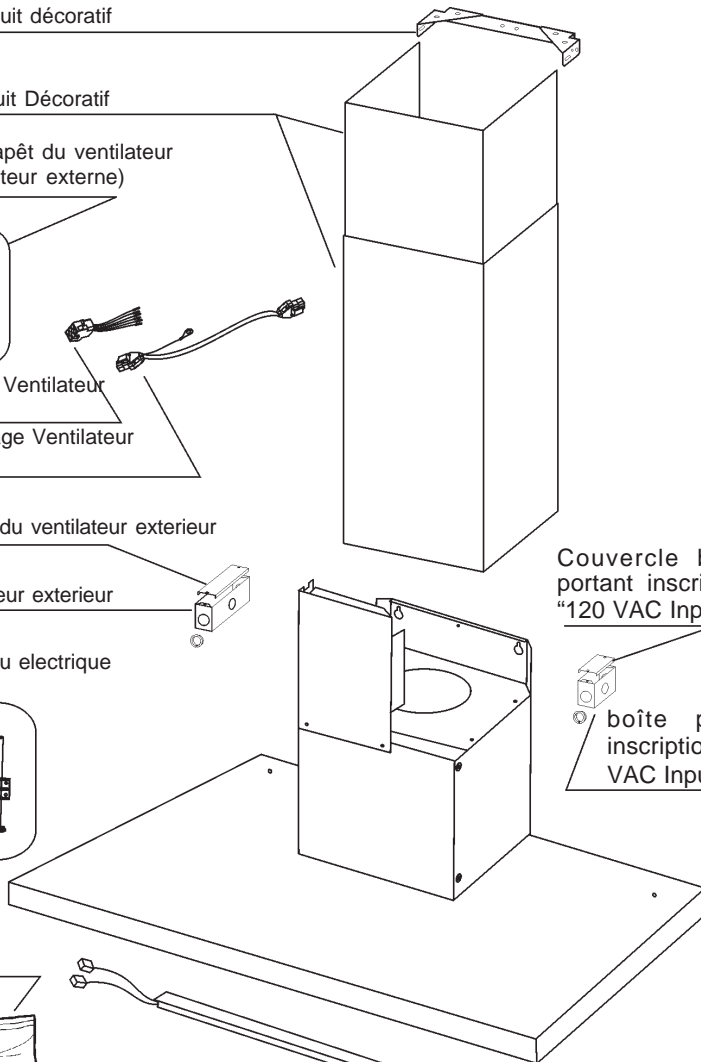


Couvercle boîte  
portant inscription  
"120 VAC Input"

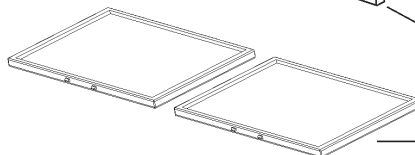


boîte portant  
inscription "120  
VAC Input"

Accessoire de  
fixation


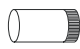
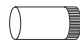
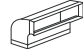
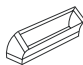


















Del



Filtre à graisse

# FEUILLE POUR CALCULER LES CONDUITS

Élément du conduit		Numéro équivalent longueur pour tronçons utilisés	Total
	3-1/4" x 10" Rect., straight	1 Ft. x ( ) =	Ft.
	7" Round, straight	1 Ft. x ( ) =	Ft.
	8" Round, straight	1 Ft. x ( ) =	Ft.
	3-1/4" x 10" Rect.90° elbow	15 Ft. x ( ) =	Ft.
	3-1/4" x 10" Rect.45° elbow	9 Ft. x ( ) =	Ft.
	3-1/4" x 10" Rect.90° flat elbow	24 Ft. x ( ) =	Ft.
	3-1/4" x 10" Rect. wall cap with damper	30 Ft. x ( ) =	Ft.
	3-1/4" x 10" Rect.to 6" round transition	5 Ft. x ( ) =	Ft.
	3-1/4" x 10" Rect.to 6" round transition 90° elbow	20 Ft. x ( ) =	Ft.
	6" Round, 90° elbow	15 Ft. x ( ) =	Ft.
	6" Round, 45° elbow	9 Ft. x ( ) =	Ft.
Total partiel colonne n°1 =			Ft.

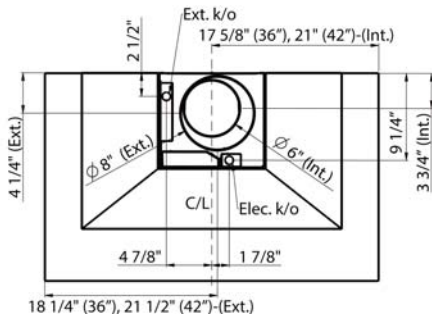
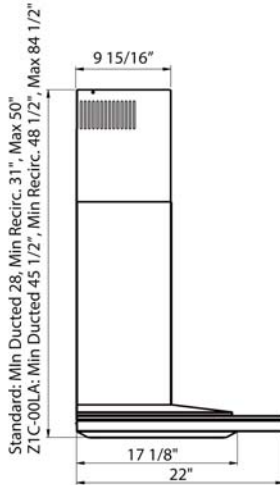
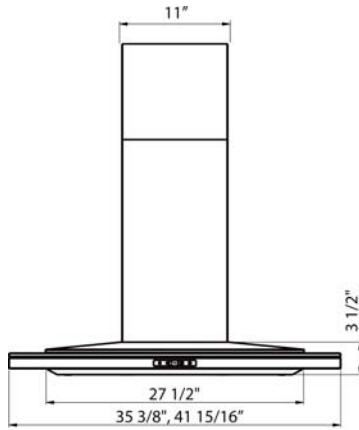
Élément du conduit		Numéro équivalent longueur pour tronçons utilisés	Total
	6"- 8" Round wall cap with damper	30 Ft. x ( ) =	Ft.
	6"- 8" Round, roof cap	30 Ft. x ( ) =	Ft.
	6" round to 3-1/4" x 10" rect. transition	1 Ft. x ( ) =	Ft.
	6" round to 3-1/4" x 10" rect. transition 90° elbow	16 Ft. x ( ) =	Ft.
	7" or 8" Round, 90° elbow	15 Ft. x ( ) =	Ft.
	7" or 8" Round, 45° elbow	9 Ft. x ( ) =	Ft.
	7" or 8" Round wall cap with damper	30 Ft. x ( ) =	Ft.
	7" or 8" Round, roof cap	30 Ft. x ( ) =	Ft.
	7" round to 3 1/4" x 10" rect. transition	8 Ft. x ( ) =	Ft.
	7" round to 3-1/4" x 10" rect. transition 90° elbow	23 Ft. x ( ) =	Ft.
Total partiel colonne n°2 =			Ft.
Total partiel colonne n°1 =			Ft.
Total conduit =			Ft.

## Longueur maximale du conduit :

Pour assurer un flux d'air approprié, la longueur maximale d'un conduit, doit pas dépasser une longueur équivalente à 100 pieds.

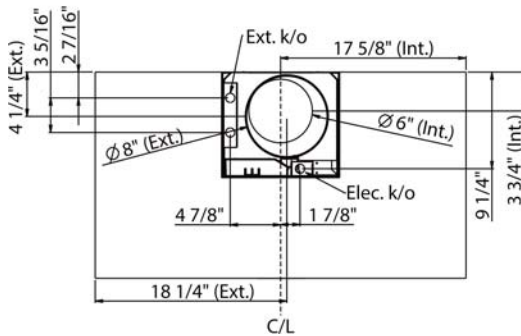
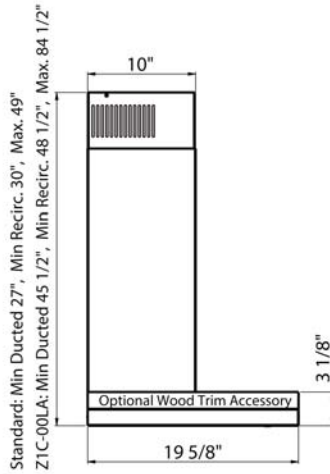
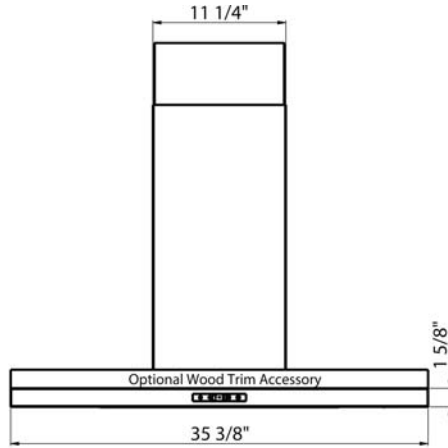
# SPECIFICATIONS TECHNIQUES

Layers

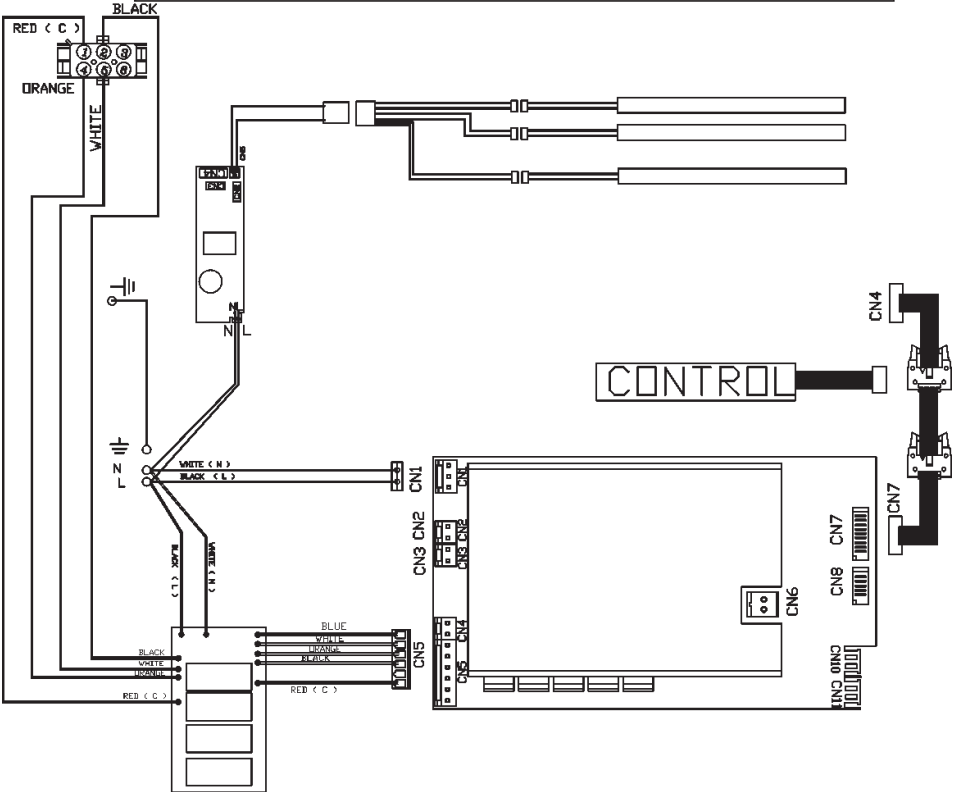
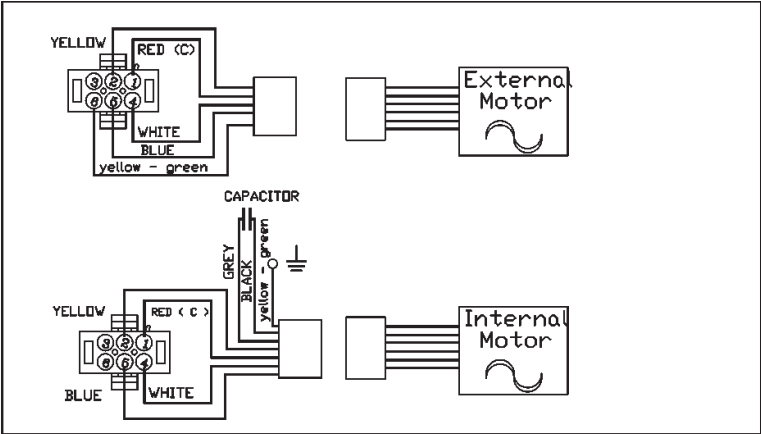


# SPECIFICATIONS TECHNIQUES

Duo



# SCHEMA ELECTRIQUE



# NETTOYAGE ET ENTRETIEN

---

Pour assurer les performances de l'appareil, entretenez-le de manière appropriée.

## **Moteur**

Le moteur est lubrifié en permanence et aucun graissage n'est nécessaire. Si les roulements du moteur font un bruit excessif ou inhabituel, remplacez le moteur par une pièce de rechange identique.  
Remplacez aussi les hélices.

## **Filtres à graisse**

Les filtres à graisse doivent être nettoyés souvent. Vous pouvez utiliser de l'eau chaude avec un détergente ou les mettre dans le lave-vaisselle.  
Nettoyez tous les filtres en métal dans le lave-vaisselle avec un détergent sans phosphate. Si vous utilisez un détergent phosphaté ou selon le type d'eau, il est possible que le filtre se décolore, mais cela n'affectera aucunement ses performances. Cette décoloration n'est pas couverte par la garantie. Consultez la section «FILTRES» pour connaître les instructions de retrait et d'installation.

## **Filtre de recirculation non canalisé**

Le filtre de recirculation non canalisé doit être changé tous les 6 mois ou lorsque vous êtes invité sur les commandes de la hotte. Si votre style de cuisine engendre beaucoup de graisse, par exemple si vous faites souvent de la friture ou utilisez un wok, remplacez-le plus souvent. Consultez la section «FILTRES » pour connaître les instructions de retrait et d'installation.

## **ÉCLAIRAGE LED**

Dans le cas peu probable que votre bande de LED échoue, se il vous plaît contacter Zephyr pour commander de pièces détachées et un service de calendrier.

## **Nettoyage de l'acier inoxydable**

### **À FAIRE :**

- nettoyez régulièrement l'acier inoxydable avec un chiffon ou un torchon enduit d'eau chaude et de savon doux ou de liquide vaisselle.
- nettoyez toujours dans le sens des lignes de polissage d'origine.
- rincez toujours à l'eau claire (2 ou 3 fois) après le nettoyage. Essuyez complètement.
- vous pouvez aussi utiliser un nettoyant spécial pour acier inoxydable d'électroménagers.

### **À NE PAS FAIRE :**

- n'utilisez pas de laine d'acier inoxydable ou d'autres raclours pour éliminer la saleté difficile à éliminer.
- n'utilisez pas de produits de nettoyage durs ou abrasifs.
- ne laissez pas la poussière s'accumuler.
- maintenez la hotte à l'abri de la poussière de plâtre ou d'autres résidus de construction. Pen-dant la construction/les rénovations, couvrez la hotte afin d'éviter qu'aucune poussière n'adhère aux surfaces en acier inoxydable.

### **À éviter quand vous choisissez un détergent :**

- tous les produits de nettoyage contenant de l'eau de Javel attaquent l'acier inoxydable.
- tous les produits contenant du chlore, du fluor, de l'iode ou du bromure provoquent une détérioration rapide des surfaces.
- tous les produits combustibles utilisés pour le nettoyage, tels que l'acétone, l'alcool, l'éther, le benzène sont extrêmement explosifs et ne doivent jamais être employés à proximité d'une table de cuisson.

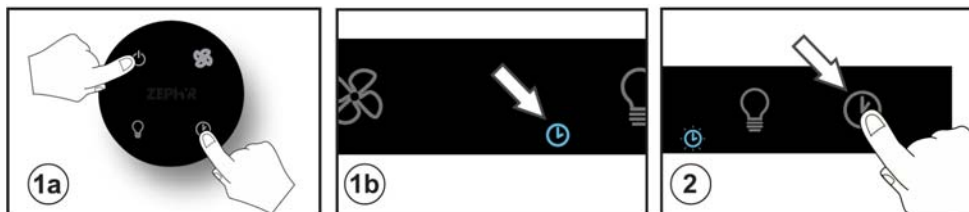


# TELECOMMANDE

## SYNCHRONISATION:

Pour synchroniser la télécommande avec la hotte de la cuisine, pour la première fois, procéder en suivant les indications suivantes:

1. En tenant arrêtée la hotte de la cuisine, appuyer et maintenir appuyée la touche "Power" et la touche "Delay OFF" sur la télécommande pendant 4 secondes (Fig. 1a) jusqu'à ce que l'indicateur "Delay Off" sur la hotte s'allume (figure 1B).
2. Appuyez la touche "Delay Off" sur la hotte dans les 4 secondes pour confirmer le lien (Fig.2). En cas de succès, l'indicateur "Delay Off" clignotera 3 fois. La hotte est maintenant synchronized avec la télécommande. Si vous deviez rencontrer un problème répéter la procédure.



Avertissement FCC: Pour assurer une conformité continue, des changements ou modifications non expressément approuvés par la partie responsable de la conformité pourraient annuler l'autorité de l'utilisateur à utiliser cet équipement. (Exemple - Utiliser seulement des câbles d'interface blindés lors de la connexion à l'ordinateur ou un périphérique. Cet appareil est conforme à la partie 15 des règles de la FCC. L'opération est soumise aux deux conditions suivantes. (1) Ce dispositif ne peut causer des interférences nuisibles, et (2) Ce dispositif doit accepter toute interférence reçue, y compris les interférences qui peuvent provoquer un fonctionnement indésirable.

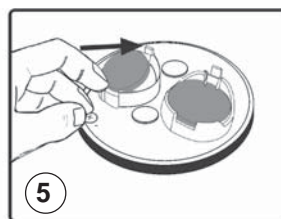
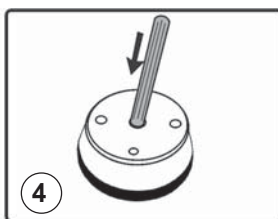
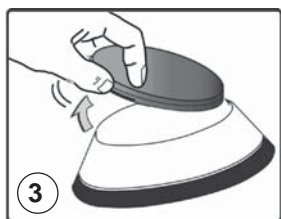
## INFORMATIONS DE CARACTÈRE GÉNÉRAL:

- Retirer la pellicule protectrice de la surface à distance avant de l'utiliser.
- La télécommande est caractérisée par une portée d'environ 10-15' (3-4,5 m)
- La télécommande est dotée d'une base magnétique et peut être apposée sur des surfaces métalliques pour un rangement pratique.
- La partie supérieure de la télécommande est réalisée en matière plastique anti-rayures. Apporter le plus grand soin en manipulant et en nettoyant la télécommande; nous conseillons d'utiliser un linge en microfibras pour son nettoyage.
- La télécommande passe en mode veille après 20 secondes d'inactivité pour économiser la batterie. Appuyez sur un bouton pendant une seconde pour réveiller la télécommande.

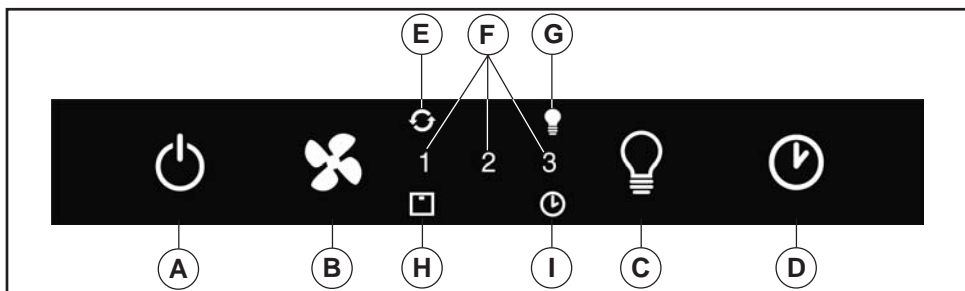
## REPLACEMENT DES PILES:

Les piles ont un cycle de vie d'environ 8 mois, selon l'usage qu'on en fait.

1. Enlever le couvercle en caoutchouc de la partie inférieure de la télécommande (Fig.3).
2. Utiliser un objet tel qu'un tournevis ou un stylo, placer délicatement dans l'ouverture de centre dans le bas de la télécommande et pousser vers l'intérieur pour déloger l'écran tactile haut du corps à distance (Fig. 4).
3. Exercer une pression sur le ressort métallique situé dans le compartiment des piles pour les extraire. Remplacer les deux piles avec le type 3V CR2450 (Fig.5). Remonter en répétant en sens inverse la même procédure.



## FONCTION DES TOUCHES



### A: Touche Power

- La touche d'allumage / extinction sert à mettre en marche et à arrêter la hotte en entier (tur-bine et lumières).
- La hotte garde en mémoire le dernier réglage de la vitesse et des lumières qui était présent au moment où l'appareil est arrêté (par exemple : si la hotte est arrêtée avec la vitesse et les lumières réglées au maximum, quand elle remise en marche en appuyant sur la touche d'allumage / extinction, la vitesse et les turbines sont encore réglées au niveau maximum).

### B: Touche Fan Speed

- À partir de la position OFF (Éteint), appuyez une fois pour régler la petite vitesse (1), deux fois pour la vitesse moyenne (2) et trois fois pour la grande vitesse (3).
- La vitesse de la turbine a une évolution cyclique et passe continuellement de la petite (1), à la moyenne (2) à la grande vitesse (3).

### C: Touche Light

- Trois niveaux de lumières sont prévus : haut, moyen, bas.
- À partir de la position Éteint, appuyez une fois pour le niveau haut.
- À partir de la position Éteint, appuyez deux fois pour le niveau moyen.
- À partir de la position Éteint, appuyez trois fois pour le niveau bas.
- À partir de la position Éteint, appuyez quatre fois pour ramener le cycle à sa position de départ.
- Le niveau des lumières a une évolution cyclique et passe du niveau haut, au niveau moyen, au niveau bas, jusqu'à la position Éteint.

### D: Touche Delay Off

- Si la turbine est à l'arrêt, en appuyant une fois sur la touche, elle se met en marche à petite vitesse et s'arrête automatiquement au bout de cinq (5) minutes.
- Si la turbine est déjà en marche (par exemple à grande vitesse), elle passe à la petite vitesse quand on appuie sur la touche d'extinction différée, et s'arrête au bout de cinq minutes.
- Quand la fonction d'extinction différée est activée, l'utilisateur peut encore modifier la vitesse de la turbine en appuyant sur la touche Vitesse turbine sans pour autant interrompre les cinq minutes réglées pour l'extinction différée.
- La fonction d'extinction différée peut être désactivée en appuyant sur la touche d'extinction différée ou sur la touche d'allumage / extinction.

### G: Voyant lumières

- Le voyant lumières s'allume quand les lumières sont allumées à n'importe quel niveau.

### H: Voyant nettoyage filtre et voyant remplacement du filtre à charbon

- Voyant nettoyage du filtre métallique (toujours allumé):
- Le voyant de nettoyage du filtre s'allume au bout de 30 heures d'utilisation de la turbine

et signale la nécessité de procéder au nettoyage du filtre métallique. La lumière du voyant reste allumée au fixe, sans clignoter.

- Cette fonction doit être rétablie par l'utilisateur. Avec la hotte à l'arrêt, maintenez la touche Vitesse turbine enfoncée pendant cinq secondes. Au bout de cinq secondes, le voyant de nettoyage du filtre s'éteint et le réglage de 30 heures repart de zéro.

- Voyant de remplacement du filtre à charbon (ce n'est pas un paramètre par défaut ; c'est l'utilisateur qui doit l'activer pour les hottes à recyclage):

- Pour activer la fonction de remplacement du filtre à charbon:

- Avec la hotte à l'arrêt, maintenez les touches Vitesse turbine et Extinction différée enfoncées simultanément pendant 5 secondes. Le voyant de nettoyage du filtre clignote rapidement 3 fois pour indiquer que la fonction de remplacement du filtre à charbon a été activée. Le voyant de nettoyage du filtre clignote de manière ininterrompue au bout de 120 heures d'utilisation de la turbine, pour signaler qu'il faut procéder au nettoyage du filtre à charbon. La lumière du voyant reste allumée au fixe, sans clignoter.

- Cette fonction doit être rétablie par l'utilisateur. Avec la hotte à l'arrêt, maintenez la touche d'extinction différée enfoncée pendant cinq secondes. Au bout de cinq secondes, le voyant de nettoyage du filtre s'éteint et le réglage de 120 heures repart de zéro. Commander le Kit de filtres à charbon nr ZOF-01AC chez les distributeurs locaux ou les centres de Assistance Zephyr - consulter le site [www.zephyronline.com](http://www.zephyronline.com).

- Pour désactiver la fonction de remplacement du filtre à charbon :

- Avec la hotte à l'arrêt, maintenez les touches Vitesse turbine et Extinction différée enfoncées simultanément pendant 5 secondes. Le voyant de nettoyage du filtre s'allume et au bout de 3 secondes s'éteint, pour indiquer que la fonction de remplacement du filtre à charbon a été désactivée.

### **I : Voyant d'extinction différée**

- Le voyant d'extinction différée s'allume quand la fonction d'extinction différée est activée en appuyant sur la touche correspondante.

- Le voyant d'extinction différée s'allume après que la fonction d'extinction différée a complété son cycle de cinq minutes ou bien quand l'utilisateur appuie à nouveau sur la touche d'extinction différée ou sur la touche d'allumage / extinction.

### **E : Voyant d'air propre (fonction air propre)**

- Le voyant d'air propre n'est pas activé par défaut. C'est donc l'utilisateur qui doit activer cette fonction.

- Pour activer la fonction d'air propre :

- Avec la hotte à l'arrêt, maintenez la touche d'allumage / extinction enfoncée pendant cinq secondes. Le voyant d'air propre s'allume et la turbine se met en marche à petite vitesse pendant 10 minutes. Au bout de 10 minutes, la turbine s'arrête et le réglage de 4 heures s'active. Le voyant d'air propre reste allumé au fixe quand la fonction d'air propre est activée, même si la turbine est à l'arrêt. Quand la fonction d'air propre est activée la turbine étant à l'arrêt, cette dernière se met en marche automatiquement toutes les quatre heures à petite vitesse pendant 10 minutes. Au bout de 10 minutes, la turbine s'arrête et le réglage de 4 heures s'active. Quand la fonction d'air propre met en marche automatiquement la turbine, le voyant d'air propre commence à clignoter et le voyant de la turbine à petite vitesse s'allume. Si l'utilisateur modifie la vitesse de la turbine pendant que la fonction d'air propre est activée, la lumière du voyant d'air propre cesse de clignoter et reste allumée au fixe. Quand l'utilisateur arrête manuellement la hotte, le réglage de 4 heures repart de zéro.

- Pour désactiver la fonction d'air propre :

- Avec la hotte à l'arrêt, maintenez la touche d'allumage / extinction enfoncée pendant cinq secondes, jusqu'à ce que le voyant d'air propre s'éteigne.

Note1: La fonction d'air propre n'est pas désactivée même si la vitesse de la turbine est modifiée et que la fonction d'air propre est interrompue pendant le fonctionnement. La fonction d'air propre n'est désactivée qu'en maintenant la touche d'allumage / extinction appuyée pendant 5 secondes.

Note2: La fonction d'air propre reste activée même si les lumières sont allumées/éteintes.

### **F : Voyant Vitesse turbine**

1 = Petite vitesse

2 = Vitesse moyenne

3 = Grande vitesse

- Petite vitesse : seulement le voyant 1 est allumé.

- Vitesse moyenne: les voyants 1 et 2 sont allumés.

- Grande vitesse : les voyants 1, 2 et 3 sont allumés.

- Quand la turbine est à l'arrêt, tous les voyants de vitesse de la turbine sont éteints.

## **ECLAIRAGE DEL**

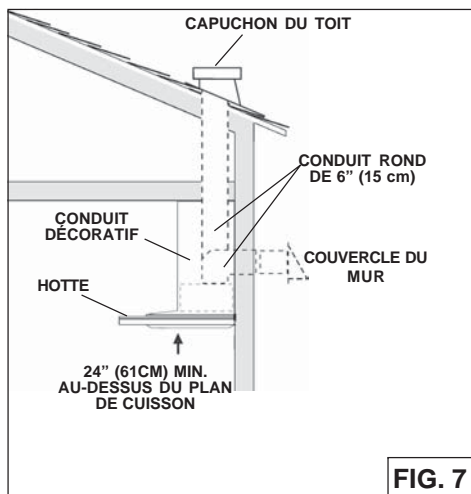
---

Si l'éclairage DEL est endommagé, il doit être remplacé par le fabricant, un service technique agréé ou une personne ayant des qualifications professionnelles semblables, pour prévenir tout genre de risque chez l'utilisateur.

## INSTALLATION CONDUITS (VENTILATEUR INTÉRIEUR)

**REMARQUE: pour réduire les risques d'incendie, utilisez uniquement des conduits métalliques.**

1. Décidez où le tuyau doit être installé, entre votre hotte et l'extérieur.
2. Un conduit droit et court (l'aide d'un conduit rond de minimum 6") permettra à votre hotte de fonctionner d'une façon plus efficace.
3. Un conduits long avec des coudes et des transitions réduira le bon fonctionnement de votre hotte. En utiliser le moins possible.
4. Installez un couvercle sur le toit ou au mur. Reliez un tuyau en métal rond au couvercle et faites-le aller jusqu'à l'emplacement de votre hotte. Utiliser du ruban adhésif pour sceller les joints entre les sections de conduits (Fig.7).

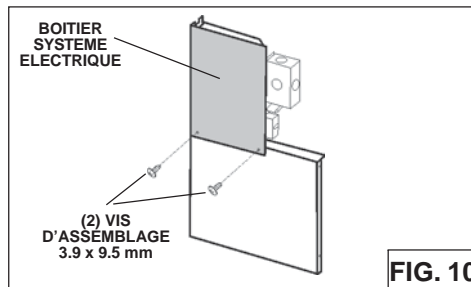
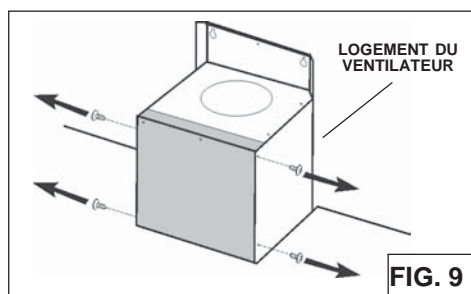
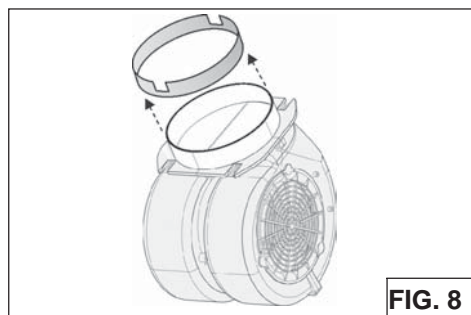


## INSTALLATION VENTILATEUR INTÉRIEUR

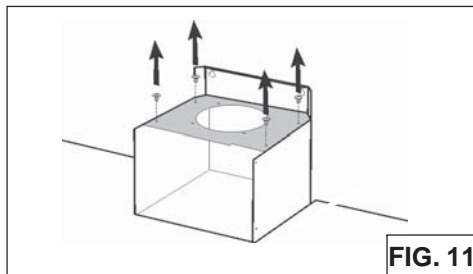
**REMARQUE: Les instructions suivantes permettent d'installer le ventilateur intérieur.**

**Installez cette hotte uniquement avec le moteur intérieur modèles CBI-290A-600A ou CBI-600A.**

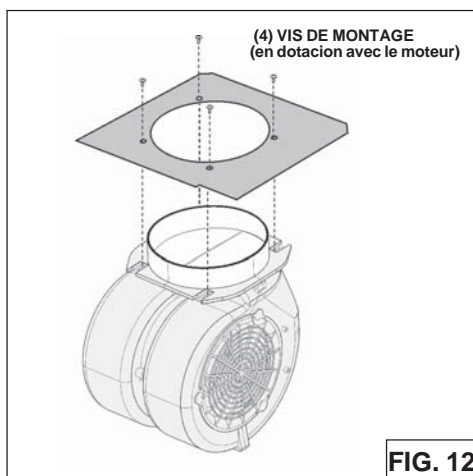
1. Retirer le boîtier du système électrique du cadre de cheminée en retirant le ruban adhésif.
2. Retirez la bride métallique de 6" (15cm) fourni sur la sortie d'air de la hotte (la bride peut déjà être pré-installé) (Fig.8).
3. Retirer la plaque frontale de le logement du ventilateur en dévissant les vis (4) de 3.9x9.5 mm (Fig.9).
4. Fixer la boîte de système électrique à la plaque frontale, à l'aide de (2) vis de 3,9 x 9,5 mm qui se trouvent à l'intérieur du sachet accessoires (Fig.10).



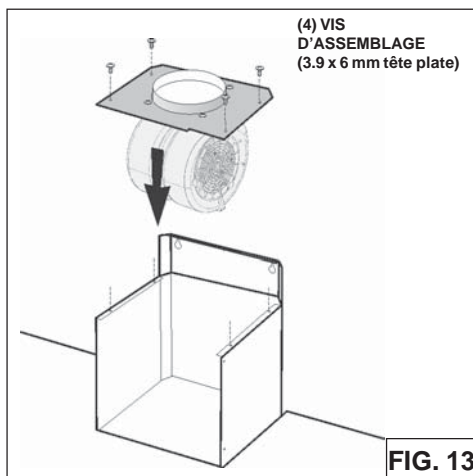
5. Retirer la plaque du ventilateur en dévissant les vis (4) 3.9x9.5 mm (Fig.11).



6. Installez le ventilateur intérieur sur la plaque du ventilateur et fixer à l'aide de (4) vis (en dotacion avec le moteur) - Voir Fig.12.



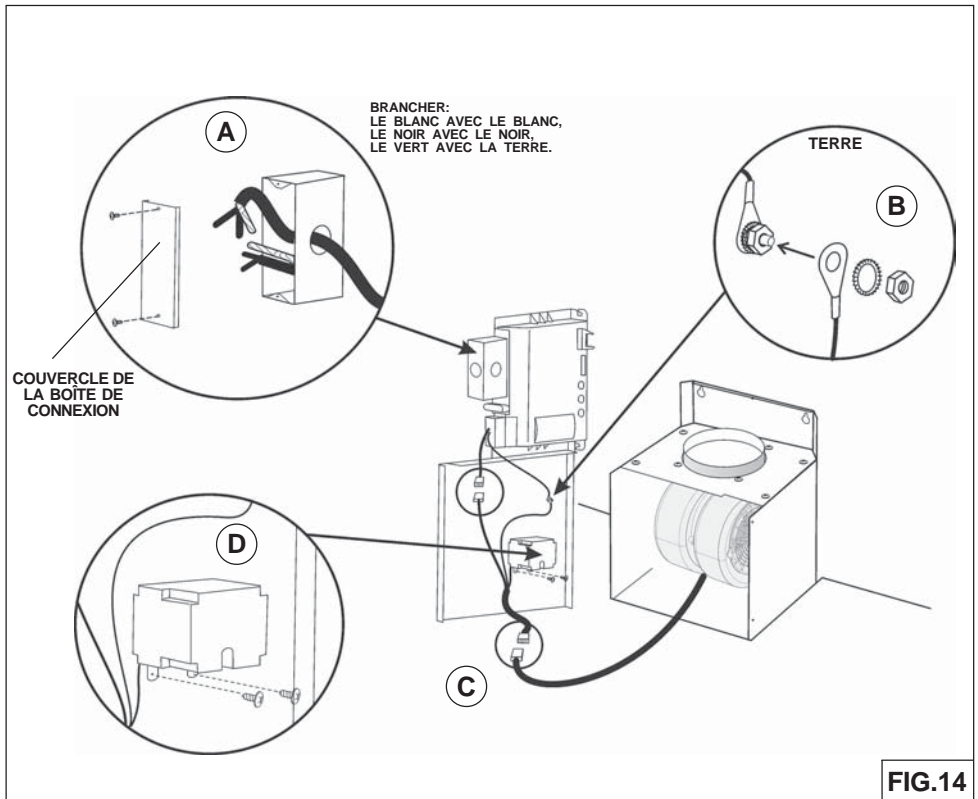
7. Installer l'ensemble ventilateur au moyens de (4) vis 3,9 x 6mm (Fig.13).



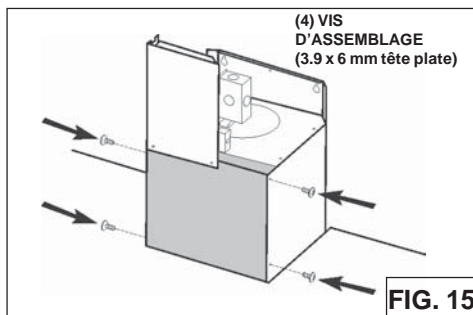
## INSTALLATION ELECTRIQUE VENTILATEUR INTERIEUR

**Remarque: Ce modèle de hotte doit être relié à la terre correctement. Cet article devrait être installé par un électricien qualifié selon les lois nationales et locales en matière d'électricité.**

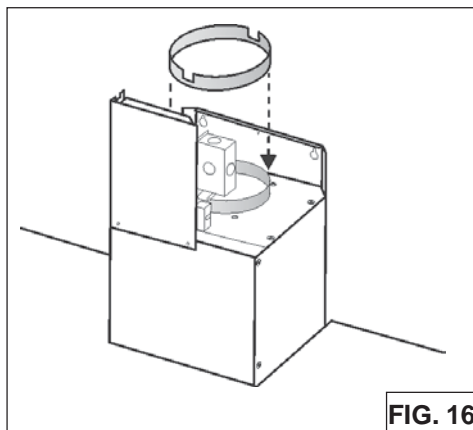
1. Faire les connexions (A,B, C) (Fig.14).
2. Fixer la boîte du condensateur au moyens des (2) vis 3.9x9.5 mm (Fig.14D).
3. Enlevez le couvercle de **la boîte de connexion électrique**. Ouvrez un trou de la boîte de connexion électrique (Fig.14A).
4. Fixer le "conduit" au boîtier de connexion à l'aide d'un connecteur approprié pour ce "conduit".
5. Faites le raccordement électrique. Reliez le blanc au blanc, le noir au noir et le vert à la terre.
6. Remettez le couvercle de la boîte de connexion et les vis. Assurez-vous que les fils se sont pas coincés entre le couvercle et la boîte.



8. Installer la plaque frontale et le boîtier du système électrique au moyens de (4) vis 3.9x6 mm (Fig.15).



9. Installer la bride métallique ronde de 6" (15 cm) fournie sur la sortie du ventilateur (Fig.16).





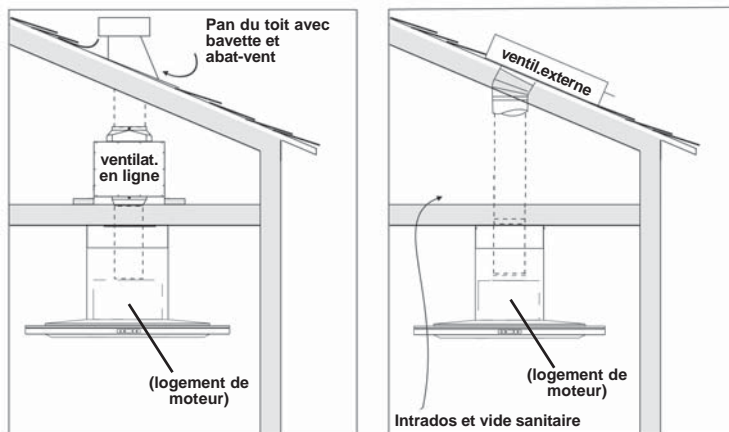
## VENTILATEUR EXTERNE (EXTERIEUR OU "IN-LINE")

ATTENTION: Pour réduire les risques d'incendie et électrique, installer cette hotte seulement avec un ventilateur extérieur CBE-1000, et les ventilateur en ligne PBN-1000A uniquement. On ne peut pas utiliser d'autres ventilateurs.

## INSTALLATION DU SYSTEME D'EVACUATION: VENTILATEUR EXTERNE

**NOTE: Pour réduire les risques d'incendie n'utiliser que des conduits métalliques.**

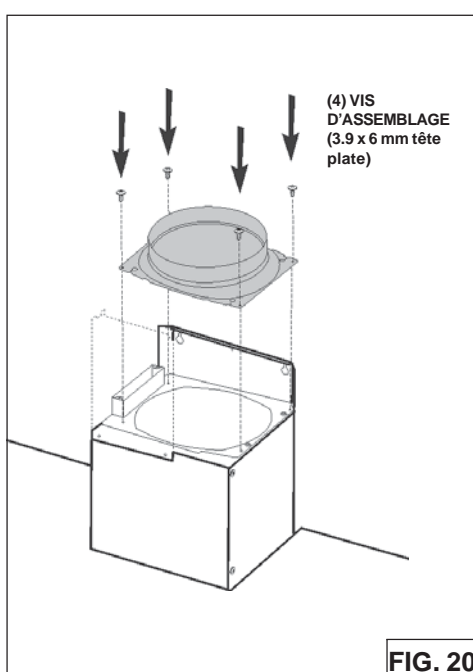
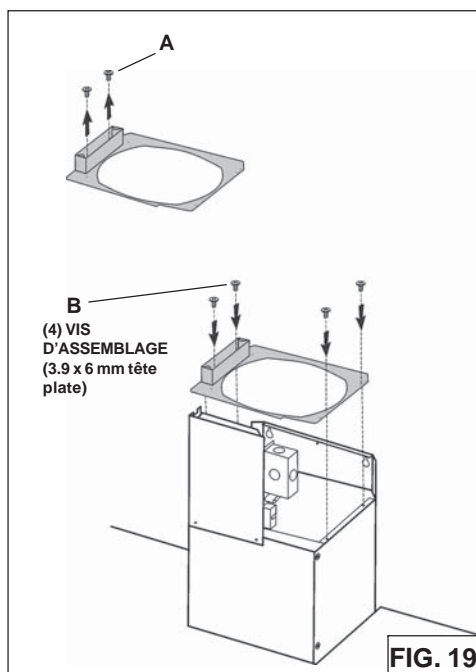
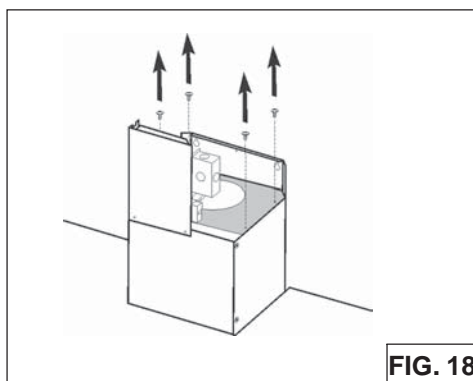
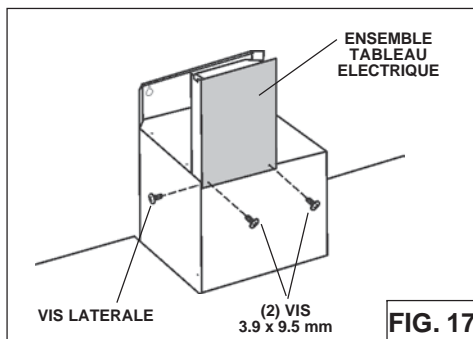
1. Choisir l'emplacement où le ventilateur extérieur ou le ventilateur "In-Line" sera monté. Voir les illustrations ci-dessous pour le choix de l'emplacement et les éventuelles restrictions à suivre.
2. Un conduit d'évacuation étroit et court (l'aide d'un conduit rond de minimum 8") rendra la hotte plus performante.
3. Des conduits d'évacuation longs, avec des coudes et des raccords rendront la hotte moins efficace. Les utiliser le moins possible. En cas de conduits d'évacuation longs on utilisera un diamètre supérieur.
4. Après avoir installé le ventilateur extérieur ou le ventilateur "In-Line", raccorder le tuyau métallique rond dans le sens de l'emplacement de la hotte. Utiliser du chaterton pour fermer hermétiquement les joints entre les tuyaux.



## INSTALLATION VENTILATEUR EXTERNE OU "IN-LINE"

**REMARQUE:** Les instructions suivantes permettent d'installer le ventilateur externe ou in-line modèles CBE-1000 ou PBN-1000A. Pour plus de détails sur l'installation du ventilateur se référer au manuel inclus dans le ventilateur.

1. Retirer le boîtier du système électrique du cadre de cheminée en retirant le ruban adhésif.
2. Retirer la vis latérale (Fig.17) et monter le boîtier du système électrique au moyens de (2) vis 3,9x9,5 mm; re-fixer la vis latérale.
3. Enlever la plaque du ventilateur en dévissant les (4) vis d'assemblage 3.9x6 mm (Fig. 18).
4. Enlever les (2) vis (Fig.19A), placer la plaque du ventilateur externe et la boîte du ventilateur extérieur et fixer en utilisant les (4) vis d'assemblage 3.9x6 mm (Fig.19B).
5. Installer le collier rond de 8" (20 cm) du ventilateur au haut du ventilateur au moyen des (4) vis d'assemblage 3.9x6 mm (Fig.20).

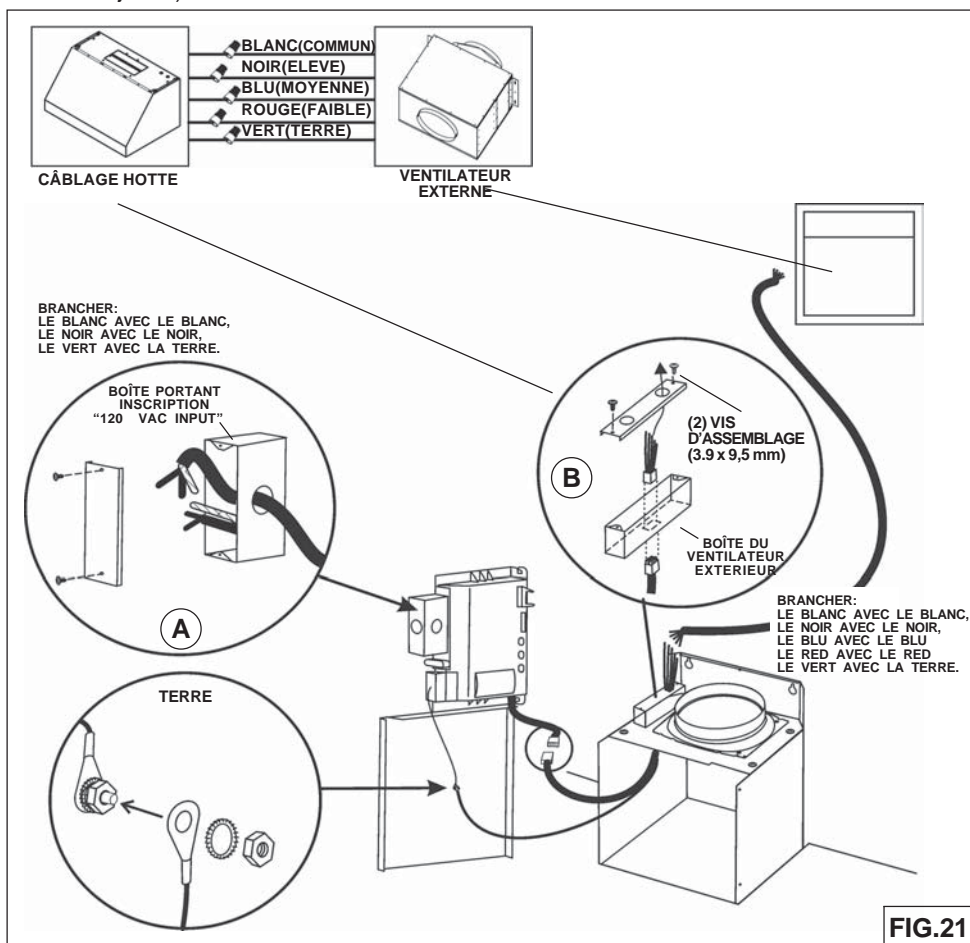


# INSTALLATION ELECTRIQUE VENTILATEUR EXTERNE

1. Enlevez le couvercle de la boîte de connexion électrique portant la mention "120 Vac input".
2. Ouvrez un trou de les (2) boîtes de connexion électrique (boîte portant la mention "120 Vac input" et boîte portant la mention "motor connection").
3. Tirer un câble à 4 fils avec la terre du ventilateur externe (ou ventilateur "In-Line") vers la boîte du ventilateur extérieur de la hotte portant la mention "motor connection" (Fig.21B).
4. Alimenter le knockout par un câble de 6" de diamètre et fixer le câble au tableau électrique par un raccord approprié.
5. Faire le branchement électrique à la hotte (boîte portant la mention 120 Vac input). Raccorder le blanc avec le blanc, le noir avec le noir et le vert avec la terre (Fig.21A).
6. Faire le branchement électrique (boîte du ventilateur extérieur portant la mention "motor connection"). Raccorder le blanc avec le blanc, le noir avec le noir, le blu avec le blu, le rouge avec le rouge et le vert à la terre (Fig.21B).
7. Re-fix les couvercles sur la boîte électrique et en revissant s'assurer que les fils n'ont pas été pincés entre le couvercle et le tableau.

## Branchement du ventilateur externe:

1. Effectuer les branchements électriques sur le ventilateur externe ou "In-Line" (Voir la notice jointe).



## INSTALLATION DE LA HOTTE

**Remarque : avant l'installation finale, retirez la pellicule en plastique de toutes les surfaces extérieures, de conduit décoratif et des filtres.**

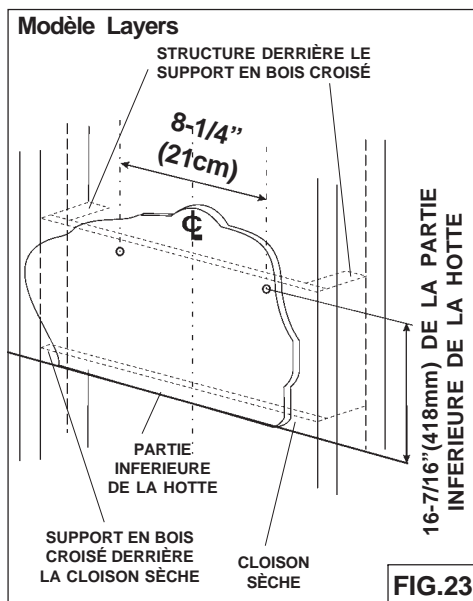
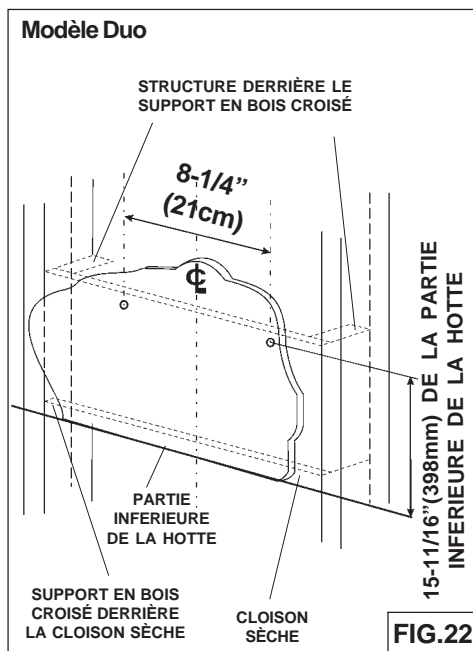
1. Construisez une structure murale en bois à niveau avec la surface intérieure des poteaux de cloison (Fig.22/23).

Assurez-vous:

- que la structure est centrée sur l'emplacement d'installation.
  - que la structure soit placée à une hauteur permettant d'y fixer le support de montage conformément aux dimensions indiquées.
2. Déterminer la hauteur désirée sur le dessus de cuisinier et marquez la ligne de fond. Installez les ancrages pour cloison sèche et les (2) vis 4,8x38mm par dimensions indiquées dans la figure 22/23.
3. Accrochez la hotte sur les vis.
4. Serrer les vis de montage. Ajouter vis supplémentaires à travers le corps de la hotte au besoin de soutien supplémentaire.

Remarques:

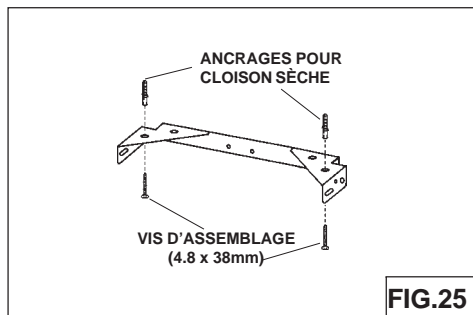
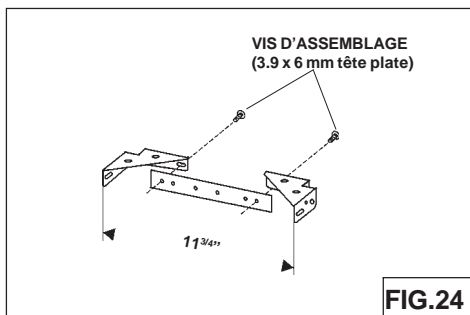
- La distance minimale de la hotte au-dessus de la table de cuisson ne doit pas être inférieure à 24" (610mm). Un maximum de 36" (915mm) au-dessus de la table de cuisson est fortement recommandé pour une meilleure évacuation des odeurs de cuisson. Distances de plus de 36" (915mm) sont les installer et choix de l'utilisateur, et si la hauteur de plafond et le permis de longueur de combustion.



## INSTALLATION DU SUPPORT DE CONDUIT DECORATIF

### HOTTES CANALISÉES ET NON CANALISÉES

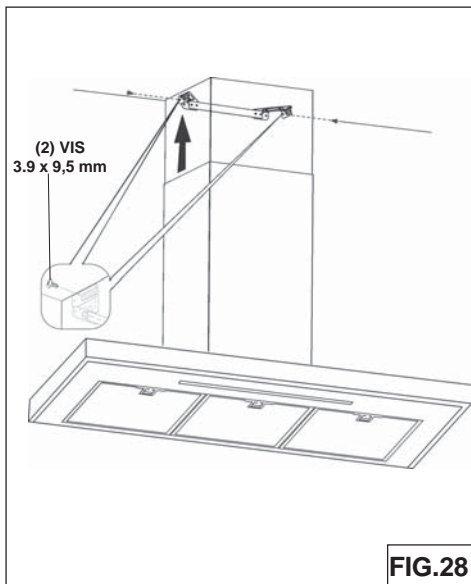
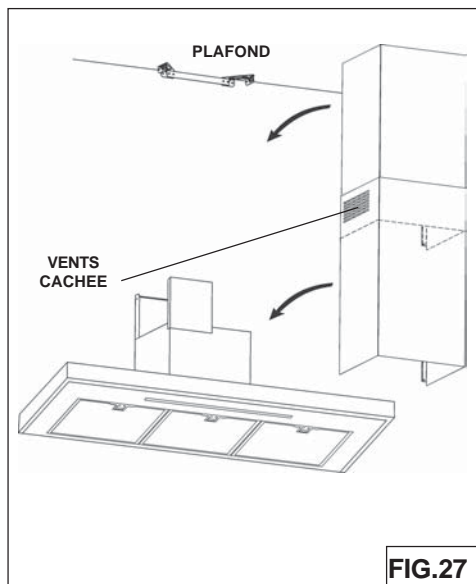
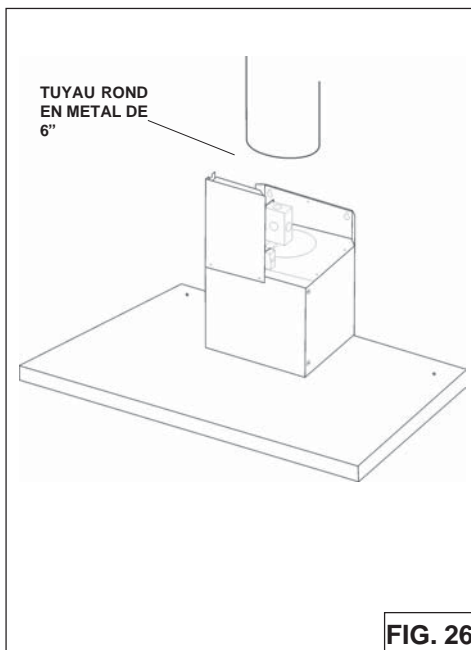
1. Montez le support de montage du conduit décoratif en réglant la largeur extérieur comme indiqué. (Fig.24).
2. **Centrez avec soin** le support de montage directement au-dessus de l'emplacement de la hotte de cuisine.
3. Fixez l'ensemble du support au plafond à l'aide de 2 vis de montage de 4,8 x 38 mm et des ancrages pour cloison sèche (Fig.25). Veillez à ce que le support soit poussé à fond contre la paroi au niveau du coin et soit centré au-dessus de la hotte.



## SEULEMENT POUR L'INSTALLATION D'UNE HOTTE CANALISÉE

**Remarque:** Les chambres avec plafond de 10 à 12 pieds, exigent le conduit décoratif d'extension, modèle Z1C-00LA, disponible auprès de votre revendeur local. Jeter le conduit décoratif fournie avec la hotte et les remplacer avec l'extension de conduit décoratif.

1. Reliez le collier du tuyau qui se trouve sur votre hotte au système d'évacuation qui se trouve au-dessus au moyen d'un tuyau rond en métal de 6" (Fig.26).
2. Installer un mur ou un capuchon du toit approprié avec clapet à évacuer l'air vers l'extérieur.
3. Scellez tous les joints des conduits avec du ruban adhésif en aluminium.
4. Installer le conduit décoratif sur la hotte (Fig.27).
5. Fixer le conduit décoratif supérieur au support de montage au moyens de (2) vis 3.9 x 9,5 mm (Fig.28).

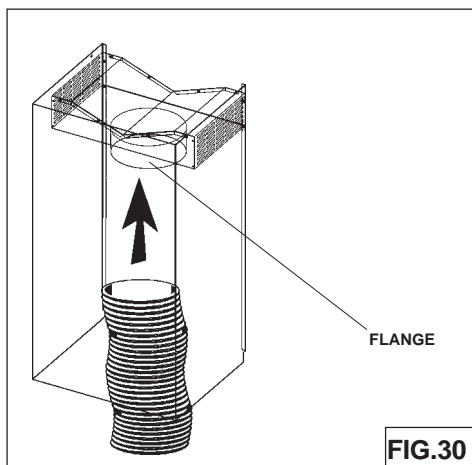
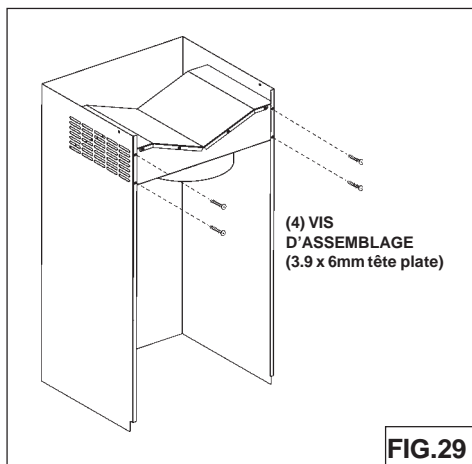


## SEULEMENT POUR L'INSTALLATION D'UNE HOTTE NON CANALISÉE

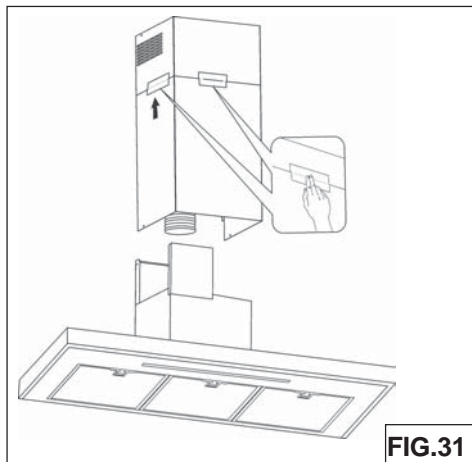
Remarque:

- a. Achetez le Kit de recirculation modèle ZRC-01LA auprès de votre revendeur local, vendu séparément.
- b. Les chambres avec plafond de 10 à 12 pieds, exigent le conduit décoratif d'extension, modèle Z1C-00LA, disponible auprès de votre revendeur local. Jeter le conduit fourni avec la hotte et les remplacer avec l'extension de conduit décoratif.

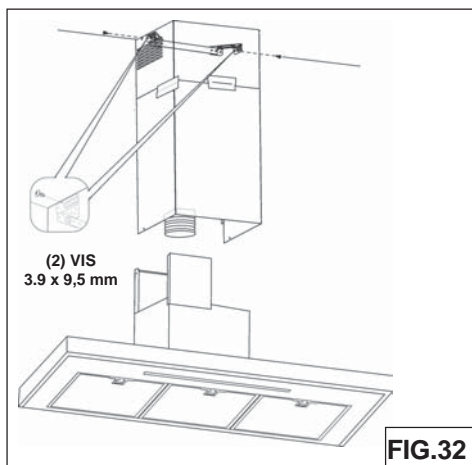
1. Installer le déflecteur au conduit décoratif supérieure en utilisant (4) vis d'assemblage 3.9 x 6 mm fournies (Fig.29).
2. Installer la flange de 6" (15cm).
3. Fixez un tuyau extensible de 6" (15cm) au déflecteur et conjointe de bande avec du ruban adhésif en aluminium (Fig.30).



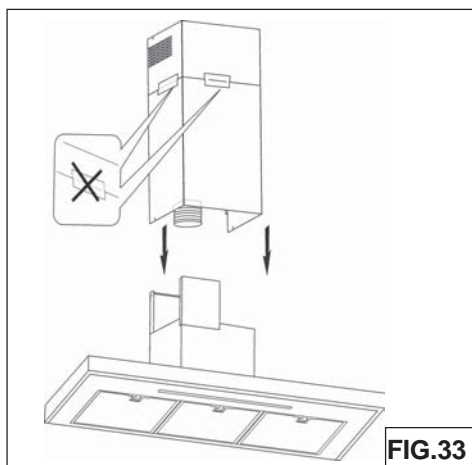
4. Temporairement fixer le conduit décoratif supérieur et inférieur ensemble avec du ruban adhésif comme indiqué (Fig.31).



5. Soulevez les conduits décoratif en position au-dessus de la hotte. Fixez le conduit décoratif supérieur au support de montage avec (2) 3,9 x 9,5 mm vis (Fig.32).



6. Retirer le ruban de conduits décoratif et faire descendre les conduits décoratif sur la hotte (Fig.33).



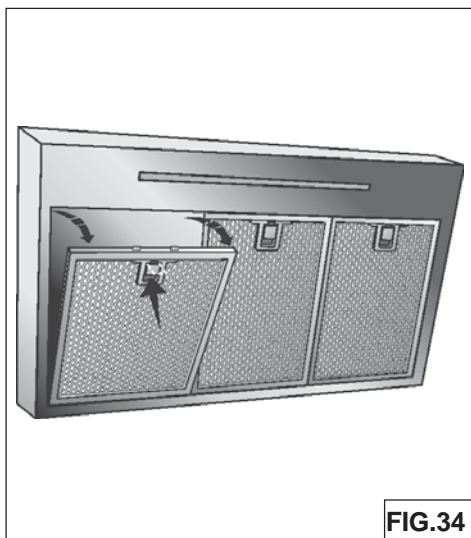


## FILTRES

REMARQUE: Avant toute utilisation, enlever la pellicule de protection du cadre du filtre.

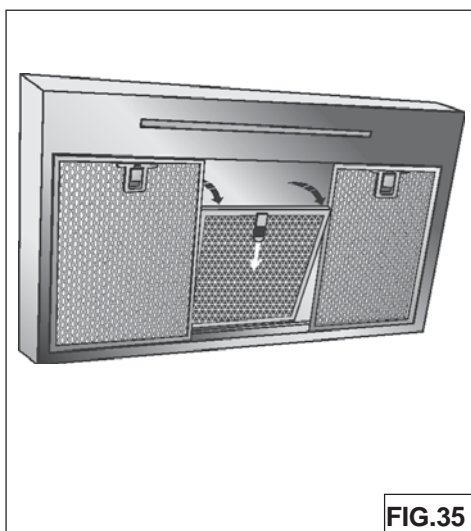
### HOTTES CANALISÉES ET NON-CANALISÉES

1. Pour retirer le filtre à graisse, tirez sur l'onglet de verrouillage pour dégager le filtre de la hotte. Inclinez le filtre vers le bas et le retirer (Fig.34).
2. Pour installer le **FILTRE À GRAISSE**, alignez les onglets du filtre arrière avec ressort dans la hotte. Déroulez la poignée, pousser le filtre en position, puis relâchez. Assurez-vous que le filtre est bien enclenché après l'installation.



### HOTTES NON CANALISÉES

1. Pour enlever le filtre à charbon, pousser l'onglet filtre vers l'arrière de la hotte. Inclinez le filtre vers le bas et la retirer (Fig.35).
2. Pour installer le **FILTRE À GRAISSE**, alignez les onglets du filtre arrière avec ressort dans la hotte. Déroulez la poignée, pousser le filtre en position, puis relâchez. Assurez-vous que le filtre est bien enclenché après l'installation.
3. Installer le filtre à graisse après filtre à charbon est installé.
4. Le modèle de remplacement du filtre à charbon est ZOF-01AC.



DESCRIPTION	HOTTE	PARTIE#
<b>PIÈCES DÉTACHÉES</b>		
Filtre métallique à graisse	ADU	50200031
Filtre métallique à graisse	ALA	50200033
<b>ACCESSOIRES EN OPTION</b>		
Kit de Recirculation	ADU-ALA	ZRC-01LA
Filtre à Charbon	ADU-ALA	Z0F-01AC
Conduit decoratif d'extension jusqu'a 12'(366cm)	ADU-ALA	Z1C-00LA

Pour commander les pièces détachées, merci de visiter le site <http://store.zephyronline.com>  
ou de appeler au numero suivant: 1.888.880.8368

# ZEPHYR

Garantie limitée

## AGRAFEZ VOTRE REÇU ICI

Une preuve de la date d'achat originale est nécessaire pour obtenir du service lorsque le produit est sous garantie

**POUR OBTENIR DU SERVICE SOUS GARANTIE OU POUR TOUTE QUESTION LIÉE À L'ENTRETIEN, veuillez communiquer avec nous au 1-888-880-8368**

Zephyr Ventilation, LLC (désigné aux présentes sous le nom de « nous ») garantit au premier acheteur (désigné aux présentes sous le nom de « vous » ou « votre ») de produits Zephyr (les « Produits ») que lesdits produits sont exempts de défauts de fabrication ou de main-d'œuvre selon les conditions suivantes :

**Garantie limitée d'un an sur les pièces :** Garantie de d'un ans à partir de la date d'achat originale du Produit. Nous fournirons sans frais les Produits ou les pièces (y compris les ampoules LED, le cas échéant) de remplacement qui comportaient des défauts de fabrication. Nous pourrions choisir, à notre seule discrétion, de réparer ou de remplacer des pièces avant de prendre la décision de remplacer le Produit.

**Garantie limitée d'un an sur la main-d'œuvre :** Garantie d'un an à partir de la date d'achat originale du Produit. Nous couvrirons sans frais les frais de main-d'œuvre afférents à la réparation du Produit ou des pièces de remplacement qui comportaient des défauts de fabrication. Un an après la date d'achat originale, vous serez responsable de tous les frais de main-d'œuvre associés à la présente garantie.

**Exclusions de la garantie :** Cette garantie ne couvre que la réparation ou le remplacement, à notre gré, de pièces ou de Produits défectueux et ne couvre aucun autre coût afférent aux Produits, dont, sans s'y limiter, les frais liés : (a) à l'entretien normal des Produits et au remplacement des pièces consommables, comme les fluorescents, incandescence ou halogèneampoules, les filtres métalliques, les filtres à charbon et les fusibles; (b) à tout Produit ou pièce ayant été endommagé durant le transport ou étant le résultat d'un mauvais usage, d'une négligence, d'un accident, d'une installation incorrecte ou ne respectant pas les notices d'installation recommandées, d'un entretien ou d'une réparation inapproprié (dont ne nous sommes pas responsables); (c) à une utilisation commerciale ou ne correspondant pas à l'utilisation pour laquelle les Produits sont conçus; (d) à l'usure naturelle du fini, à l'usure due à un entretien inadéquat, à l'utilisation de produits nettoyants corrosifs ou abrasifs, de tampons nettoyeurs et de produits de nettoyage pour le four; (e) aux éclats, entailles ou fissures résultant d'un abus ou d'une mauvaise utilisation du Produit; (f) aux déplacements d'un technicien de service à votre domicile pour vous montrer comment utiliser les Produits; (g) aux dommages causés par un accident, un incendie, une inondation, un cas fortuit; ou (h) Les installations personnalisées ou modifications qui ont un impact maintenabilité du Produit. Si vous vous trouvez à l'extérieur du territoire que nous desservons, des frais supplémentaires pourraient s'appliquer pour la livraison des produits à nos points de service désignés pour une réparation sous garantie ou vous pourriez avoir à déboursier les frais de déplacement du technicien à votre domicile pour que le Produit soit réparé, enlevé ou réinstallé. Un an après la date d'achat originale du Produit, vous êtes également responsable de tous les frais de main-d'œuvre associés à la présente garantie.

**Restrictions de la garantie. NOTRE OBLIGATION DE RÉPARER OU DE REMPLACER, À NOTRE GRÉ, LE PRODUIT CONSTITUE VOTRE SEUL ET UNIQUE RECOURS SOUS LA PRÉSENTE GARANTIE. NOUS NE NOUS PORTONS PAS RESPONSABLES POUR TOUT DOMMAGE INDIRECT, ACCESSOIRE OU PARTICULIER RÉSULTANT OU AYANT UN LIEN AVEC L'UTILISATION OU LE RENDEMENT DES PRODUITS. LES GARANTIES EXPRESSES DE LA SECTION PRÉCÉDENTE SONT EXCLUSIVES ET TIENNENT LIEU DE TOUTE AUTRE GARANTIE EXPRESSE. PAR LES PRÉSENTES, NOUS REJETONS ET EXCLUONS TOUTE AUTRE GARANTIE EXPRESSE POUR LES PRODUITS ET TOUTES LES GARANTIES TACITES PRÉVUES PAR LA LOI, DONT CELLES RELATIVES À LA QUALITÉ MARCHANDE OU À L'ADÉQUATION DU PRODUIT POUR UNE UTILISATION PARTICULIÈRE.** Certains États ou provinces n'autorisent pas les restrictions sur la durée d'une garantie implicite ou l'exclusion ou la restriction des dommages indirects ou accessoires; par conséquent, les exclusions et restrictions mentionnées ci-dessus pourraient ne pas s'appliquer à votre cas. Dans la mesure où une loi applicable interdit l'exclusion de garanties implicites, la durée de toute garantie implicite applicable se limite à la période de deux ans décrite ci-dessus. L'unique objectif de toute description orale ou écrite est de présenter les Produits et celle-ci ne devrait pas être interprétée comme une garantie expresse. Avant d'utiliser ou de permettre l'utilisation des Produits, vous devez déterminer si les Produits conviennent aux utilisations prévues et vous devrez assumer tout risque et toute responsabilité relatifs à ces utilisations. Nous nous réservons le droit d'utiliser des pièces reconstruites ou remises à neuf pour remplacer l'une des fonctionnalités dans le cadre de la présente garantie ou de l'une des parties de la présente garantie. L'acheteur original ne peut transférer la présente garantie et celle-ci n'est valide qu'aux États-Unis et au Canada.

**Pour obtenir du service sous la garantie :** Pour avoir droit à du service sous garantie, vous devez : (a) nous avertir en utilisant l'adresse ou le numéro de téléphone inscrit ci-dessous dans les soixante jours suivant la détection du défaut; (b) donner le numéro du modèle, le numéro d'identification de la pièce ainsi que le numéro de série; et (c) décrire la nature de tout défaut de la pièce ou du Produit. Au moment de faire la demande de service sous garantie, vous devrez présenter votre preuve d'achat et la preuve de la date d'achat originale. Si nous déterminons que les exclusions de la garantie énumérées ci-dessus s'appliquent ou si vous vous trouvez dans l'incapacité de nous fournir la documentation nécessaire pour obtenir du service, vous serez responsable de tous les frais d'expédition, de déplacement, de main-d'œuvre ou de tout autre coût afférent au service.

Veuillez consulter notre site Web au [www.zephyronline.com](http://www.zephyronline.com) pour savoir si des révisions ont été apportées à la garantie.

**Zephyr Ventilation Service Department, 2277 Harbor Bay Parkway, Alameda, CA 94502 1-888-880-8368**

AUG14.0401

# PRODUCT REGISTRATION

Congratulations on your Zephyr range hood purchase! Please take a moment to register your new range hood at

**[www.zephyronline.com/registration](http://www.zephyronline.com/registration)**

## IT'S IMPORTANT

Prompt registration helps in more ways than one.

- Ensures warranty coverage should you need service.
- Ownership verification for insurance purposes.
- Notification of product changes or recalls.



Zephyr Ventilation | 2277 Harbor Bay Pkwy. | Alameda, CA 94502 | 1.888.880.8368