

CORE

VORTEX ES

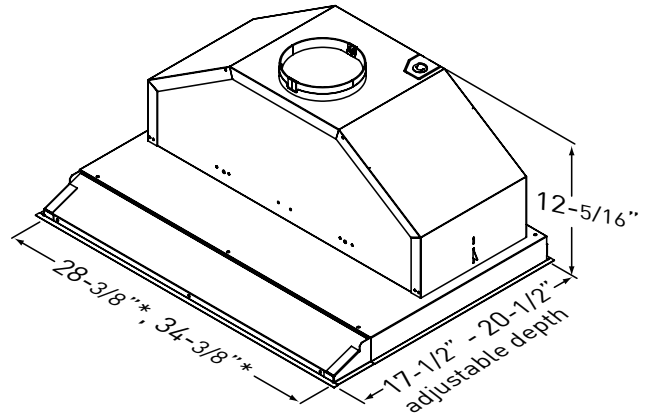
INSERT

The Vortex ES, certified ENERGY STAR® one-piece liner leads the way with the industry's only adjustable-depth installation. Vortex ES is designed to extend up to 3 inches towards the front of the custom hood canopy so

you can install it in spaces up to 20-1/2" deep.

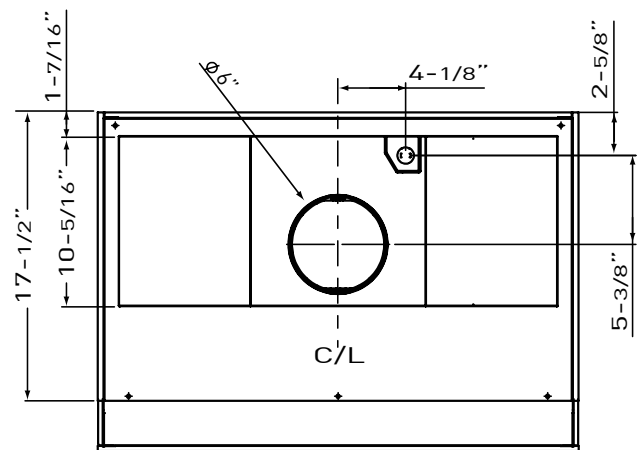
ZEPHYR

ZEPHYRONLINE.COM

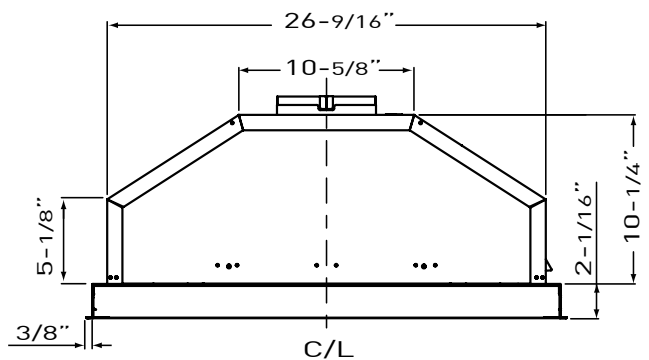


*dimensions do not include 3/8" wide flange around the liner

FRONT



TOP



BACK

MODEL	AK9028AS-ES	AK9034AS-ES
Stainless Steel		
Size	28-3/8" (30")	34-3/8" (36")
Blower CFM (Min. - Max.)	170 - 290	170 - 290
Sones (Min. - Max.)	1.3 - 3.5	1.3 - 3.5
FEATURES		
ENERGY STAR® Certified	Yes	Yes
Controls	Mechanical Slide	Mechanical Slide
Speed Levels	3	3
Auto Delay-Off	No	No
Lighting	Fluorescent, 13W x2	Fluorescent, 13W x2
Dual-Level Lighting	No	No
Filters	Hybrid Baffle x1	Hybrid Baffle x1
Recirculating Option	No	No
Adjustable Depth	Yes	Yes
DUCT SPECIFICATIONS		
Vertical Internal Blower	6" Round	6" Round
Horizontal Internal Blower	NA	NA
AC POWER	120V, 60Hz at Max. 1.2A	120V, 60Hz at Max. 1.2A
MOUNTING HEIGHT RANGE*	26" - 36"	26" - 36"
WARRANTY	3 years parts, 1 year labor	3 years parts, 1 year labor

*Mounting height refers to distance between top of a 36" tall cooking surface and bottom of hood.

