

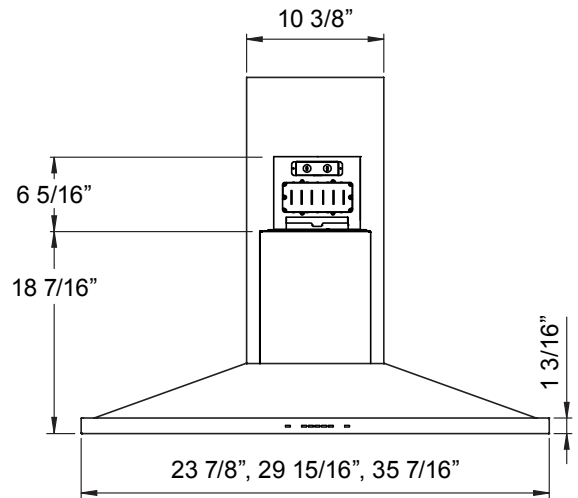
Anzio, a low-profile, chimney-style range hood that will add style and value to any kitchen. Available in stainless steel and Titanium-coated black stainless steel finishes for improved durability and easy cleaning.

Complete with a 600 CFM blower, ICON Touch® controls, BriteStrip™ LED lighting and our exclusive Airflow Control Technology™ (ACT™). Now available in a 24" width.

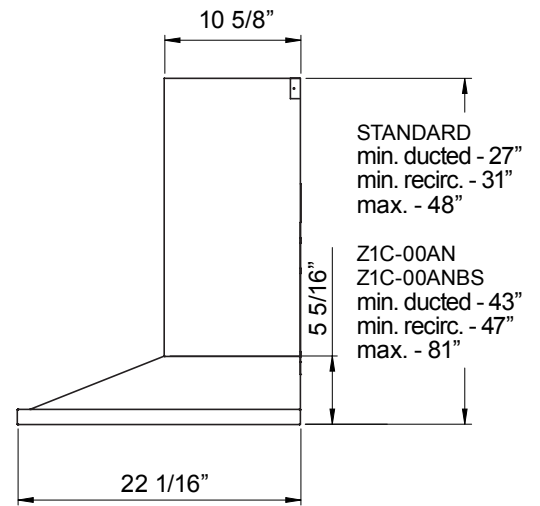
ACT™

Min. - Max. CFM	INTERNAL BLOWER STANDARD	INTERNAL BLOWER with ACT™ AIRFLOW CONTROL TECHNOLOGY™*	
	200 - 600	200 - 390	200 - 290
Min. - Max. Sones	1 - 6	1 - 4	1 - 3

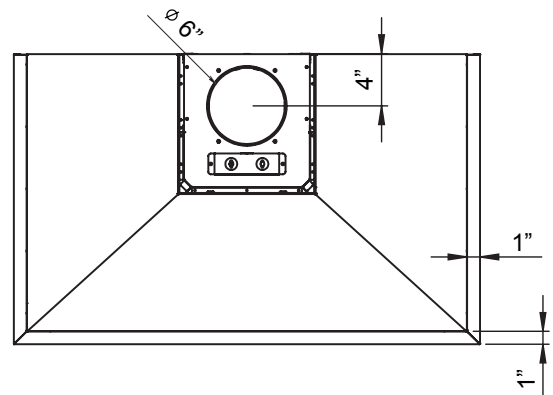
*AIRFLOW CONTROL TECHNOLOGY™ (ACT™) is an exclusive feature built into specific Zephyr hoods which can limit the maximum blower CFM to meet local code requirements.



FRONT



SIDE



TOP

MODEL	ZAN-E24CS	ZAN-E30CBS ZAN-E30CS	ZAN-M90CBS ZAN-M90CS
Black Stainless Steel			
Stainless Steel			
Size	24"	30"	36"
Blower CFM (Min. - Max.)	200 - 600	200 - 600	200 - 600
Sones (Min. - Max.)	1 - 6	1 - 6	1 - 6
ACT 390 CFM (Min. - Max.)	200 - 390	200 - 390	200 - 390
ACT 390 Sones (Min. - Max.)	1 - 4	1 - 4	1 - 4
ACT 290 CFM (Min. - Max.)	200 - 290	200 - 290	200 - 290
ACT 290 Sones (Min. - Max.)	1 - 3	1 - 3	1 - 3
FEATURES			
ACT™ Technology	Yes	Yes	Yes
Controls	ICON Touch®	ICON Touch®	ICON Touch®
Speed Levels	5*	5*	5*
Auto Delay-Off	Yes	Yes	Yes
Lighting	BriteStrip™ LED, x1	BriteStrip™ LED, x1	BriteStrip™ LED, x1
Dual-Level Lighting	Yes	Yes	Yes
Filters	Aluminum Mesh x1	Aluminum Mesh x2	Aluminum Mesh x2
Recirculating Option	Yes	Yes	Yes
Duct Cover Extension Option	Yes, Up to 12' Ceiling	Yes, Up to 12' Ceiling	Yes, Up to 12' Ceiling
DUCT SPECIFICATIONS			
Vertical Internal Blower	6" Round	6" Round	6" Round
Horizontal Internal Blower	NA	NA	NA
AC POWER	120V, 60Hz at Max. 4A	120V, 60Hz at Max. 4A	120V, 60Hz at Max. 4A
OPTIONAL ACCESSORIES			
Recirculating Kit	ZRC-01AN	ZRC-01AN	ZRC-01AN
Duct Cover Extension	Z1C-00AN (SS)	Z1C-00ANBS (Black SS) Z1C-00AN (SS)	Z1C-00ANBS (Black SS) Z1C-00AN (SS)
Make-Up Air Kit	MUA006A	MUA006A	MUA006A
Hybrid Baffle Filter Kit (2 filters)	ZOF-B002	ZOF-B002	ZOF-B002
MOUNTING HEIGHT RANGE**	26" - 34"	26" - 34"	26" - 34"
WARRANTY	3 years parts, 1 year labor	3 years parts, 1 year labor	3 years parts, 1 year labor

CEILING HEIGHT	8'	8.5'	9'	9.5'	10'	10.5'	11'	12'
STANDARD DUCT COVER	Ducted Mounting Height***	26" - 33"	26" - 34"	26" - 34"	29.5" - 34"	NA	NA	NA
	Recirc Mounting Height***	26" - 29"	26" - 34"	26" - 34"	29.5" - 34"	NA	NA	NA
DUCT COVER EXTENSION	Ducted Mounting Height***	NA	NA	26" - 29"	26" - 34"	26" - 34"	26" - 34"	27" - 34"
	Recirc Mounting Height***	NA	NA	NA	26" - 31"	26" - 34"	26" - 34"	27" - 34"

*When ACT™ is enabled the maximum speed levels will change. ACT 390 CFM = 4 speeds and ACT 290 CFM = 3 speeds.

**Mounting height refers to distance between top of a 36" tall cooking surface and bottom of hood.

ACT™ AIRFLOW CONTROL TECHNOLOGY™ (ACT™) is an exclusive feature built into specific Zephyr hoods which can limit the maximum blower CFM to meet local code requirements.

Specifications subject to change, check zephyronline.com for up-to-date information.
Zephyr Ventilation | 2277 Harbor Bay Parkway, Alameda, CA 94502 | 888.880.VENT

NOV19.0101

