

CORE

PYRAMID

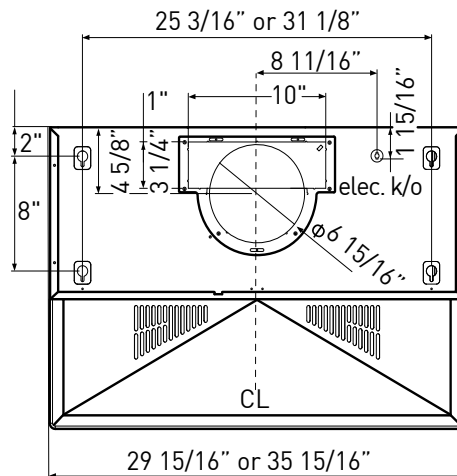
UNDER-CABINET

Classic, architectural lines meet at an apex to energize the familiar look of the chimney style under-cabinet hood. This expressive yet utilitarian design also features an adjustable back-panel utensil bar that accom-

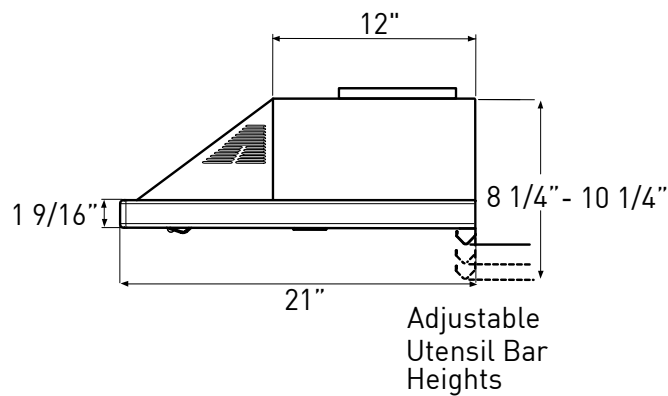
modates a variety of cabinet depths to put cooking utensils within easy reach. New control configuration and 12" depth ensure simple operation and a true fit with popular cabinet styles.

ZEPHYR

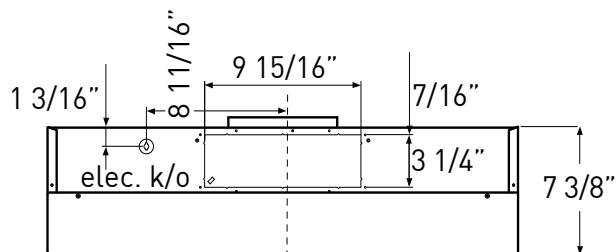
ZEPHYRONLINE.COM



TOP



SIDE



BACK

| MODEL | ZPY-E30AS | ZPY-E36AS | ZPY-E30AS290 |
|-----------------------------------|-----------------------------|-----------------------------|-----------------------------|
| Stainless Steel | | | |
| Size | 30" | 36" | 30" |
| Blower CFM (Min. - Max.) | 210 - 400 | 210 - 400 | 120 - 290 |
| Sones (Min. - Max.) | 2 - 5 | 2 - 5 | 1.1 - 3.2 |
| FEATURES | | | |
| Controls | Mechanical Slide | Mechanical Slide | Mechanical Slide |
| Speed Levels | 3 | 3 | 3 |
| Auto Delay-Off | No | No | No |
| Lighting | Halogen, 50W x2 | Halogen, 50W x2 | Halogen, 50W x2 |
| Dual-Level Lighting | Yes | Yes | Yes |
| Filters | Aluminum Mesh x2 | Aluminum Mesh x2 | Aluminum Mesh x2 |
| Recirculating Option | Yes | Yes | Yes |
| Adjustable Utensil Rail | Yes, Up to 3" | Yes, Up to 3" | Yes, Up to 3" |
| DUCT SPECIFICATIONS | | | |
| Vertical Internal Blower | 7" Round or 3-1/4" x 10" | 7" Round or 3-1/4" x 10" | 7" Round or 3-1/4" x 10" |
| Horizontal Internal Blower | 3-1/4" x 10" | 3-1/4" x 10" | 3-1/4" x 10" |
| AC POWER | 120V, 60Hz at Max. 2A | 120V, 60Hz at Max. 2A | 120V, 60Hz at Max. 2A |
| OPTIONAL ACCESSORIES | | | |
| Recirculating Kit | ZRC-0200 | ZRC-0200 | ZRC-0200 |
| Bloom™ GU10 LED | ZOB0040 | ZOB0040 | ZOB0040 |
| Make-Up Air Kit | MUA006A | MUA006A | NA |
| Damper, 7" Round | AK00067 | AK00067 | AK00067 |
| MOUNTING HEIGHT RANGE* | 24" - 32" | 24" - 32" | 24" - 32" |
| WARRANTY | 3 years parts, 1 year labor | 3 years parts, 1 year labor | 3 years parts, 1 year labor |

*Mounting height refers to distance between top of a 36" tall cooking surface and bottom of hood.