

Use, Care, and Installation Guide

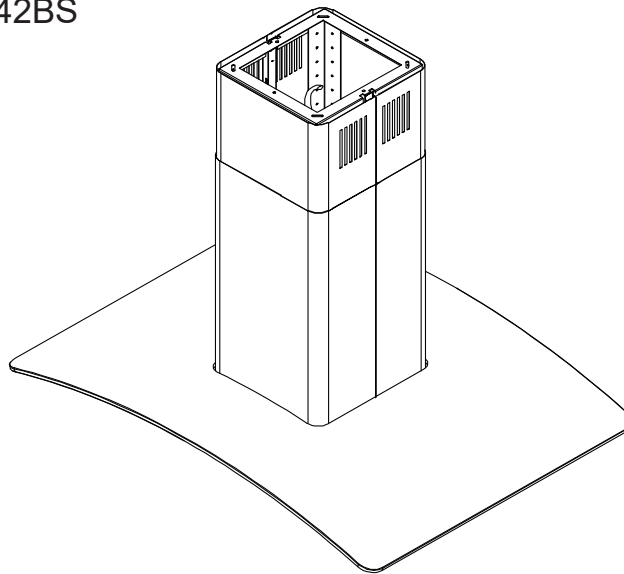
Milano Island

ZML-M90BG

ZML-M90BS

ZML-E42BG

ZML-E42BS



Model number: _____

Serial Number: _____



APR19.1101 © Zephyr Ventilation LLC.

For use with models of serial numbers beginning with 24

SAFETY NOTICE 2-3

LIST OF MATERIALS 4

INSTALLATION

 Ducting Calculation Sheet 5

 Mounting Height & Clearance 6

 Ducting Options 7

 Hood Specifications 8

 Mounting the Hood 9-12

 Ductless Recirculating 13

FEATURES & CONTROLS

 Touch Controls 14

 User Interface 15

MAINTENANCE

 Hood and Filter Cleaning 16

 Bloom HD LED Lights 17

TROUBLESHOOTING 18

ACT CONVERSION 19

FAN CURVE DIAGRAMS 20-21

WIRING DIAGRAM 22

LIST OF PARTS AND ACCESSORIES 23

WARRANTY 24

PRODUCT REGISTRATION 25

Important Safety Notice

WARNING

TO REDUCE THE RISK OF FIRE OR ELECTRIC SHOCK, DO NOT USE THIS FAN WITH ANY SOLID-STATE CONTROL DEVICE.

WARNING

TO REDUCE THE RISK OF FIRE ELECTRIC SHOCK, OR INJURY TO PERSONS, OBSERVE THE FOLLOWING:

- a. Use this unit only in the manner intended by the manufacturer, if you have questions, contact the manufacturer.
- b. Before servicing or cleaning unit, switch power off at service panel and lock panel to prevent power from being switched on accidentally. When the service disconnecting means cannot be locked, securely fasten a prominent warning device, such as a tag, to the service panel.

CAUTION

For general ventilating use only. Do not use to exhaust hazardous or explosive materials and vapors. Take care when using cleaning agents or detergents. Suitable for use in household cooking area.

WARNING

TO REDUCE THE RISK OF RANGE TOP GREASE FIRE:

- a. Never leave surface units unattended at high settings. Boilovers cause smoking and greasy spillovers that may ignite. Heat oils slowly on low or medium settings.
- b. Always turn hood ON when cooking at high heat or when flaming food
- c. Clean ventilating fans frequently. Grease should not be allowed to accumulate on fan or filter.
- d. Use proper pan size. Always use cookware appropriate for the size of the surface element.
- e. Keep fan, filters and grease laden surfaces clean.
- f. Use high setting on hood only when necessary.
- g. Don't leave hood unattended when cooking.
- h. Always use cookware and utensils appropriate for the type of and amount of food being prepared.

WARNING

TO REDUCE THE RISK OF INJURY TO PERSONS IN THE EVENT OF A RANGE TOP FIRE, OBSERVE THE FOLLOWING:

- a. SMOTHER FLAMES with a close-fitting lid, cookie sheet, or metal tray, then turn off the burner. BE CAREFUL TO PREVENT BURNS. If the flames do not go out immediately, EVACUATE AND CALL THE FIRE DEPARTMENT.
- b. NEVER PICK UP A FLAMING PAN – You may be burned.
- c. DO NOT USE WATER, including wet dishcloths or towels – a violent steam explosion will result.
- d. Use an extinguisher ONLY if:
 - 1. You know you have a Class ABC extinguisher, and you already know how to operate it.
 - 2. The fire is small and contained in the area where it started.
 - 3. The fire department is being called.
 - 4. You can fight the fire with your back to an exit

WARNING

TO REDUCE THE RISK OF FIRE, ELECTRIC SHOCK OR INJURY TO PERSONS, OBSERVE THE FOLLOWING:

- a. Installation work and electrical wiring must be done by qualified person(s) in accordance with all applicable codes and standards. Including fire-rated construction.
- b. Sufficient air is needed for power combustion and exhausting of gases through the flue (chimney) of fuel burning equipment to prevent back-drafting. Follow the heating equipment manufacturer's guideline and safety standards such as those published by the National Fire Protection Association (NFPA) and the American Society for Heating, Refrigeration and Air Conditioning Engineers (ASHRAE) and the local code authorities.
- c. When cutting or drilling into wall or ceiling, do not damage electrical wiring and other hidden utilities.
- d. Ducted fans must always vent to the outdoors.
- e. If this unit is to be installed over a tub or shower, it must be marked as appropriate for the application and be connected to a GFI (Ground Fault Interrupter protected branch circuit).
- g. NEVER place a switch where it can be reached from a tub or shower.
- h. Make sure the power is off before installing, wiring or maintenancing.

WARNING

TO REDUCE THE RISK OF FIRE, USE ONLY METAL DUCTWORK.
NOT FOR USE IN OUTDOOR COOKING ENVIRONMENTS.

CAUTION

To reduce risk of fire and to properly exhaust air outside - Do not vent exhaust air into spaces within walls, ceilings, attics, crawl spaces or garages.

OPERATION

Always leave safety grilles and filters in place. Without these components, operating blowers could catch onto hair, fingers and loose clothing.

The manufacturer declines all responsibility in the event of failure to observe the instructions given here for installation, maintenance and suitable use of the product. The manufacturer further declines all responsibility for injury due to negligence and the warranty of the unit automatically expires due to improper maintenance.

***NOTE: Please check www.zephyronline.com for revisions before doing any custom work.**

ELECTRICAL REQUIREMENTS

Important:

Observe all governing codes and ordinances.

It is the customer's responsibility:

- To contact a qualified electrical installer.
- To assure that the electrical installation is adequate and in conformance with National Electrical Code, ANSI/NFPA 70 latest edition* or CSA standards C22.1-94, Canadian Electrical Code, Part 1 and C22.2 No.0-M91 - latest edition** and all local codes and ordinances.

If codes permit and a separate ground wire is used, it is recommended that a qualified electrician determine that the ground path is adequate.

Do not ground to a gas pipe.

Check with a qualified electrician if you are not sure the range hood is properly grounded.

Do not have a fuse in the neutral or ground circuit.

*National Fire Protection Association Batterymarch Park, Quincy, Massachusetts 02269

** CSA International 8501 East Pleasant Valley Road, Cleveland, Ohio 44131-5575

This appliance requires a 120V 60Hz electrical supply and connected to an individual properly grounded branch circuit protected by a 15 or 20 ampere circuit breaker or time delay fuse. Wiring must be 2 wire with ground. Please also refer to Electrical Diagram on product.

A cable locking connector (not supplied) might also be required by local codes. Check with local requirements, purchase and install appropriate connector if necessary.

ZML-M90BG/BS - MAX 215 Watts, 4 Amps

ZML-E42BG/BS - MAX 215 Watts, 4 Amps

Power consumption shown above is the default power specs. Hoods with Zephyr's proprietary Airflow Control Technology (ACT) enabled will consume less power. See wiring diagram at the end of this manual for more information.

Prop. 65 Warning for California Residents



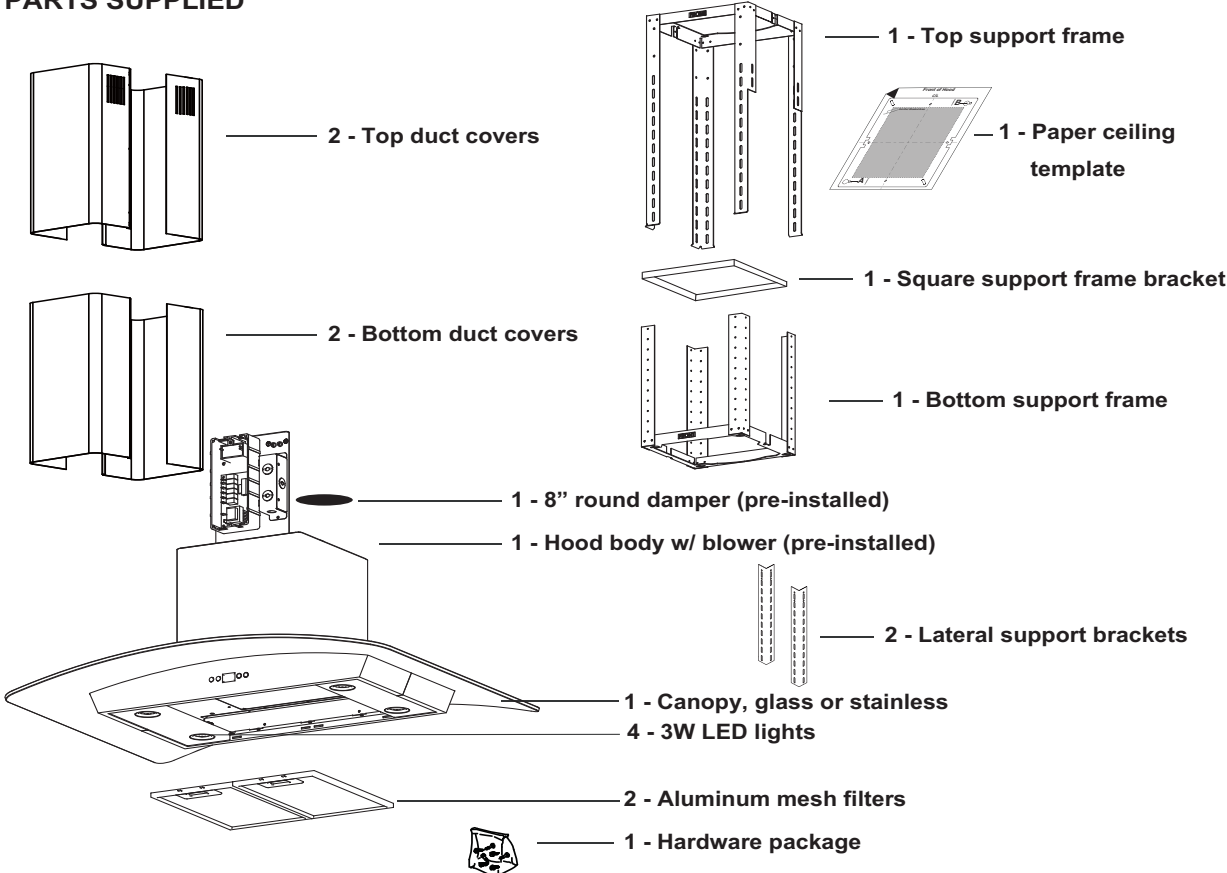
WARNING:

Cancer and Reproductive Harm - www.P65Warnings.ca.gov

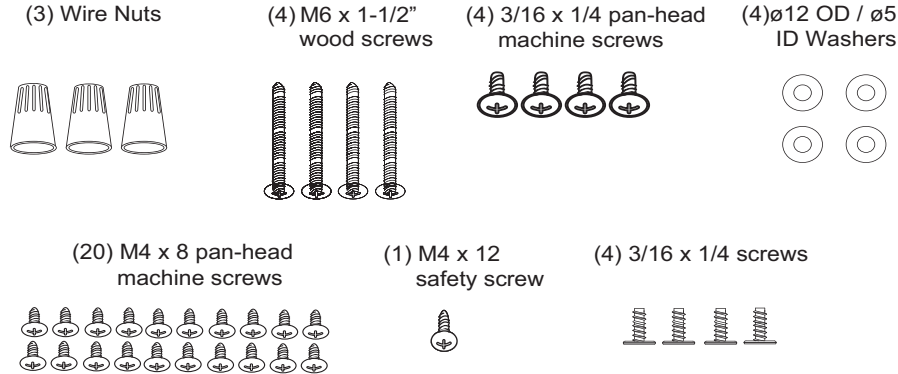
List of Materials

MODELS: ZML-M90BG/BS , ZML-E42BG/BS

PARTS SUPPLIED



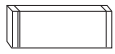
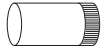
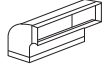
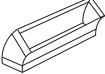

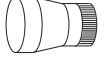
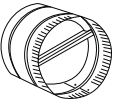


HARDWARE PACKAGE CONTENTS



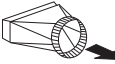
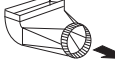
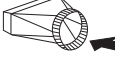
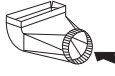
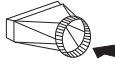
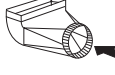
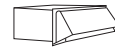
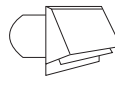

PARTS NOT SUPPLIED

- Ducting, conduit and all installation tools
- Cable connector (if required by local codes)
- Duct cover extension accessory
- Recirculating kit accessory

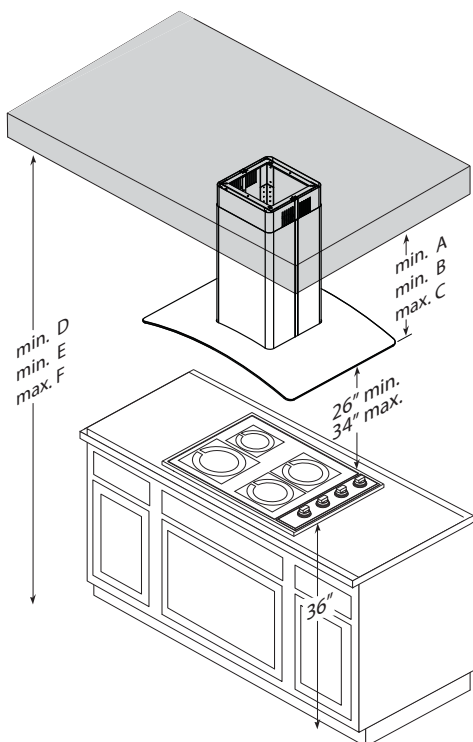
Installation – Ducting Calculation Sheet

Duct pieces		Equivalent number length x used =	Total
	3-1/4" x 10" Rect., straight	1 Ft. x () =	Ft.
	6", 7", 8", 10" Round, straight	1 Ft. x () =	Ft.
	3-1/4" x 10" Rect. 90° elbow	15 Ft. x () =	Ft.
	3-1/4" x 10" Rect. 45° elbow	9 Ft. x () =	Ft.
	3-1/4" x 10" Rect. 90° flat elbow	24 Ft. x () =	Ft.
	7" to 6" or 8" to 7" Round tapered reducer	25 Ft. x () =	Ft.
	6", 7", 8" Round in-line damper	15 Ft. x () =	Ft.
	6", 7", 8", 10" Round, 90° elbow	15 Ft. x () =	Ft.
	6", 7", 8", 10" Round, 45° elbow	9 Ft. x () =	Ft.
Subtotal column 1 =			Ft.

Maximum Duct Length: For satisfactory air movement, the total duct length should not exceed 100 equivalent feet.

Duct pieces		Equivalent number length x used =	Total
	3-1/4" x 10" Rect. to 6" round transition	5 Ft. x () =	Ft.
	3-1/4" x 10" Rect. to 6" round transition 90° elbow	20 Ft. x () =	Ft.
	6" round to 3-1/4" x 10" rect. transition	1 Ft. x () =	Ft.
	6" round to 3-1/4" x 10" rect. transition 90° elbow	16 Ft. x () =	Ft.
	7" round to 3 1/4" x 10" rect. transition	8 Ft. x () =	Ft.
	7" round to 3-1/4" x 10" rect. transition 90° elbow	23 Ft. x () =	Ft.
	3-1/4" x 10" Rect. wall cap with damper	30 Ft. x () =	Ft.
	6", 7", 8", 10" Round, wall cap with damper	30 Ft. x () =	Ft.
	6", 7", 8", 10" Round roof cap	30 Ft. x () =	Ft.
Subtotal column 2 =			Ft.
Subtotal column 1 =			Ft.
Total ductwork =			Ft.

Installation – Mounting Height & Clearance



Hood Heights	Standard Duct Cover	Extension Duct Cover
minimum ducted (A)	28 1/2"	44 1/2"
minimum recirculating (B)	32 1/2"	49"
maximum (C)	50"	82"
Ceiling Heights		
minimum ducted (D)	90 1/2" (7' 6 1/2")	106 1/2" (8'10 1/2")
minimum recirculating (E)	94 1/2" (7'10 1/2")	111" (9' 3")
maximum (F)	120" (10')	152" (12' 8")

DUCTING

A minimum of 8" round duct is recommended to maintain maximum air flow efficiency.

Always use rigid type metal ducts only. Flexible ducts could restrict air flow by up to 50%.

Use calculation worksheet to compute total duct work (Page 5).

ALWAYS, when possible, reduce the number of transitions and turns. If a long duct run is required, increase duct size from 8" to 10".

If turns or transitions are required: Install as far away from duct opening and as far apart between the two transitions as possible.

Minimum mount height between range top to hood bottom should be no less than 26".

Maximum mount height should be no higher than 34".

It is important to install the hood at the proper mounting height. Hoods mounted too low could result in heat damage and fire hazard; while hoods mounted too high will be hard to reach and will lose its performance and efficiency.

If available, also refer to range manufacturer's height clearance requirements and recommended hood mounting height above range. Always check your local codes for any differences.

Duct cover extension kit available for ceiling heights up to 12 feet. Turn to page 23 for part number and ordering information.

DAMAGE-SHIPMENT / INSTALLATION:

- Please fully inspect unit for damage before installation.
- If the unit is damaged in shipment, return the unit to the store in which it was bought for repair or replacement.
- If the unit is damaged by the customer, repair or replacement is the responsibility of the customer.
- If the unit is damaged by the installer (if other than the customer), repair or replacement must be made by arrangement between customer and installer.

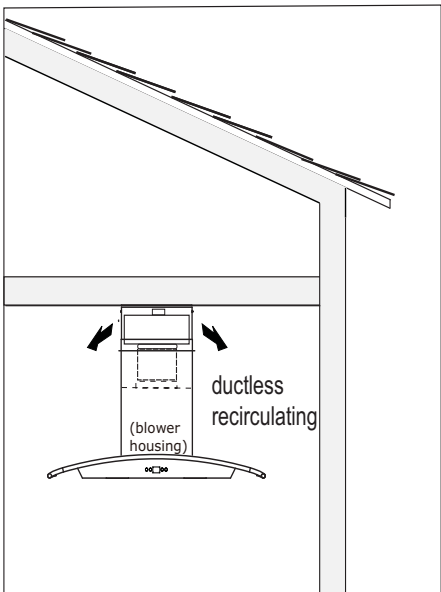
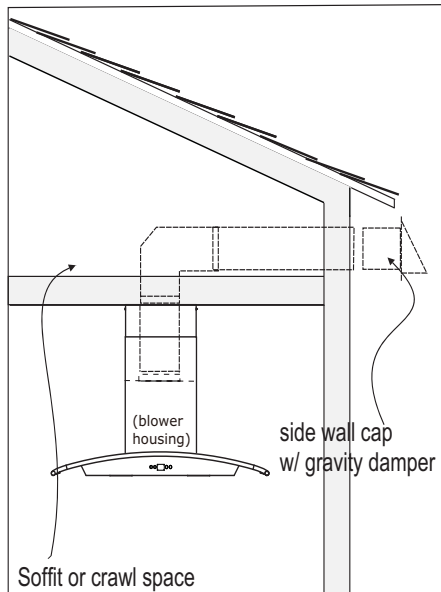
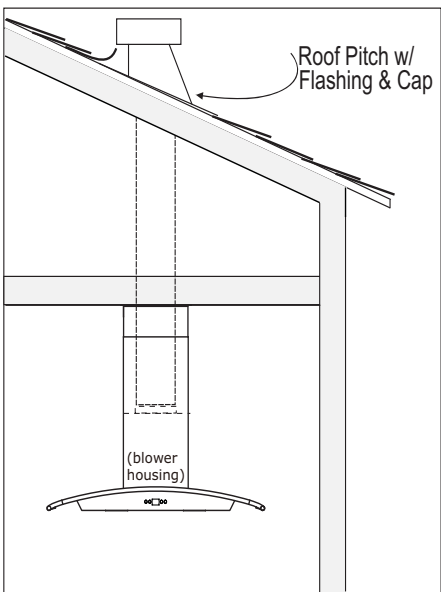
WARNING FIRE HAZARD

NEVER exhaust air or terminate duct work into spaces between walls, crawl spaces, ceiling, attics or garages. All exhaust must be ducted to the outside, unless using the recirculating option.

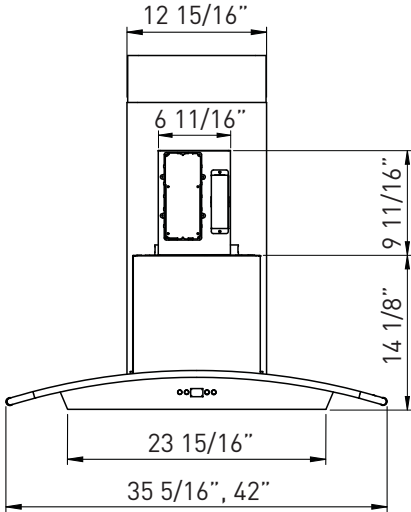
Use single wall rigid Metal ductwork only.

Fasten all connections with sheet metal screws and tape all joints w/ certified Silver Tape or Duct Tape.

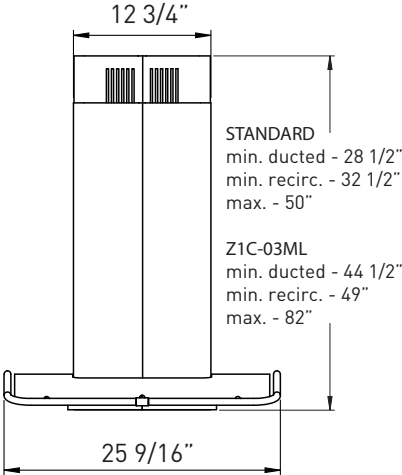
Some Ducting Options



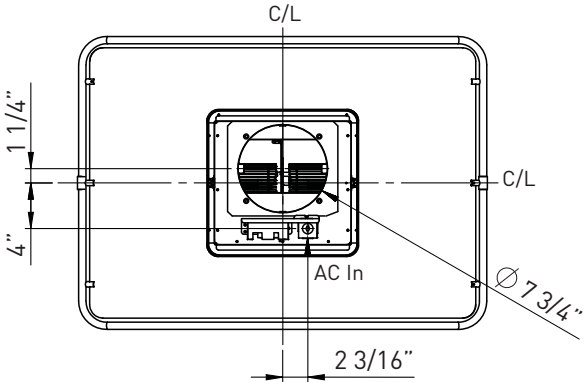
Installation – Hood Specifications



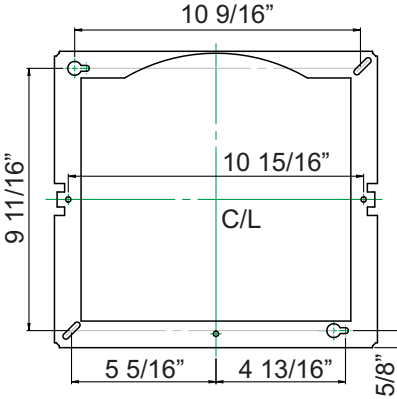
FRONT



SIDE



TOP of HOOD



**TOP SUPPORT FRAME
 (top view)**

⚠ WARNING: Electrical wiring must be done by a qualified person(s) in accordance with all applicable codes and standards. This range hood must be properly grounded. Turn off electrical power at service entrance before wiring.

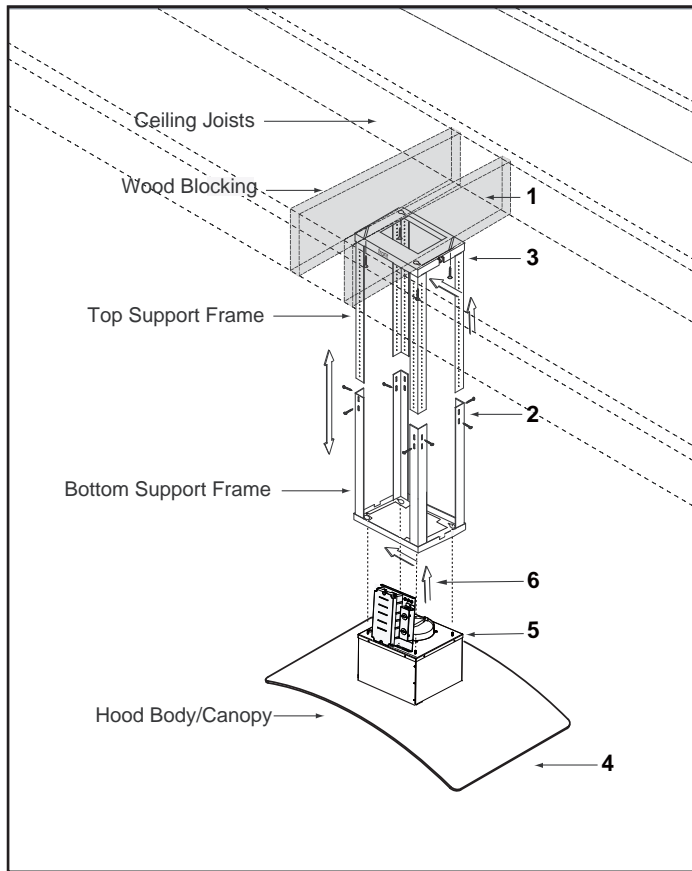


FIG. A

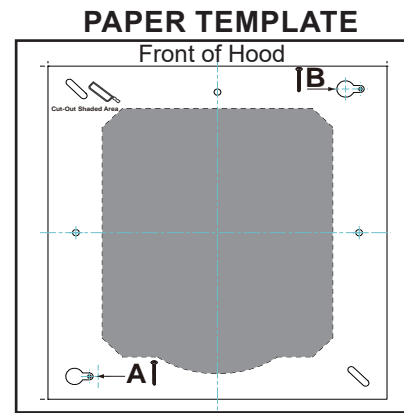


FIG. B

Hood is intended to be mounted to a finished ceiling.

- 1. Ceiling Preparation:** Determine hood mounting location and temporarily tape paper template (included with the hood) to the ceiling. Cut-out internal shaded area of template to allow the ducting and electrical to pass through. Add wood blocking (min. 2" x 4") onto ceiling joists to reinforce ceiling above the drywall. (FIG. A, #1) Secure (2) 1-1/2" wood screws into points A and B of the paper template (FIG. B). Do not completely tighten screws, leave approx. 1/4" exposed.
- 2. Hood Preparation:** Remove screws securing top and bottom support frames together. Adjust support frame to accommodate the desired hood height and re-assemble the frame using the previously removed screws (2 screws for each support frame arm). (FIG. A, #2).

Installation – Mounting the Hood

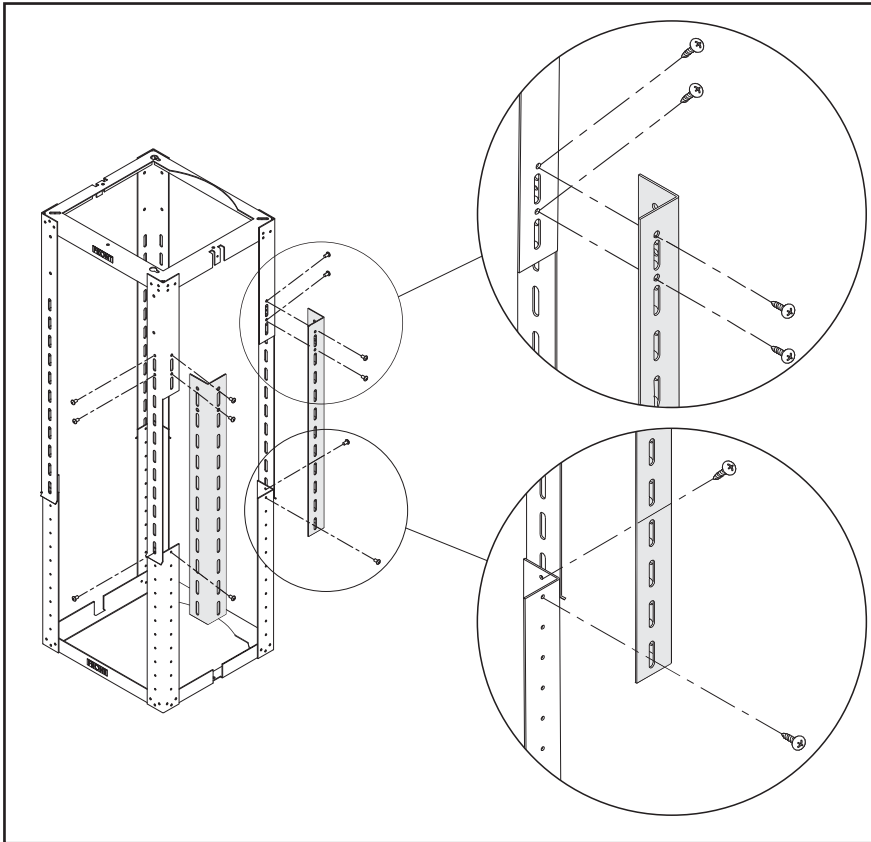


FIG. C

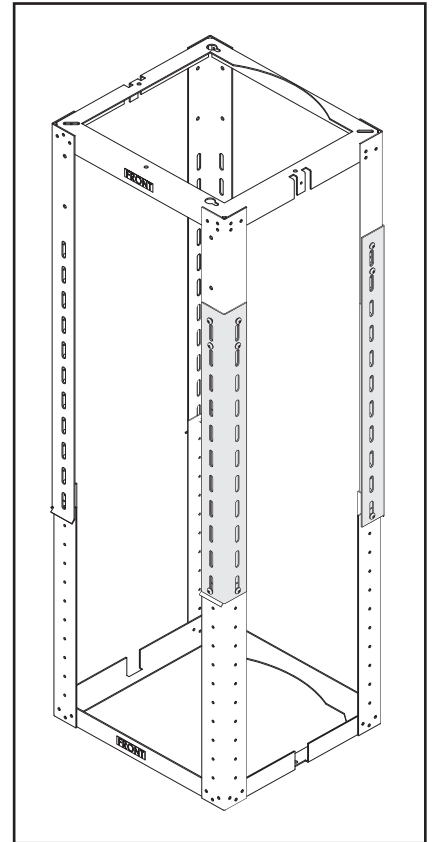


FIG. D

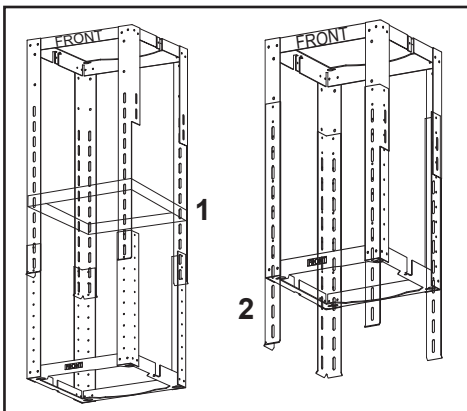


FIG. E

3. Hood heights between 40" to 50" require lateral support brackets to be installed to the two top support frame cut off arms and their corresponding bottom support frame arms. Install lateral support brackets by (12) M4 x 8 sheet metal screws. (FIG. C)
4. Hood heights between 45" to 50" require a square support bracket to be installed inside the support frame. Install square support bracket to top support frame arms by (8) M4 x 8 sheet metal screws. (FIG. E, #1) Top support frame arms extend past lower support frame bracket with shorter hood heights. (FIG. E, #2)

5. Lift support frame assembly up to the ceiling making sure the the word "front" on the top support frame faces the front of the hood where the controls will be located (FIG. D). The key-holes on the top support frame should cover the wood screws previously installed in the ceiling. Slide support frame towards narrow end of key-holes to lock the frame in place.
6. Install the last (2) M6 x 1-1/2" wood screws with washers into the two remaining corners of the top support frame to secure it to the ceiling. Tighten all screws.

⚠ CAUTION: At least two installers are required due to the weight and size of the hood.

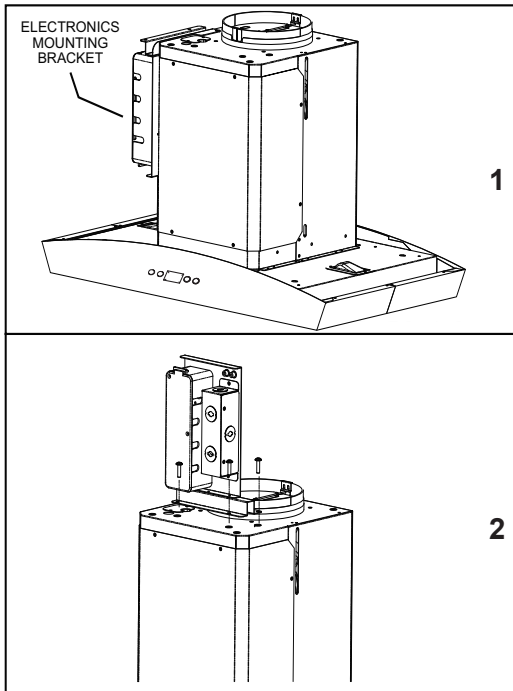


FIG. F

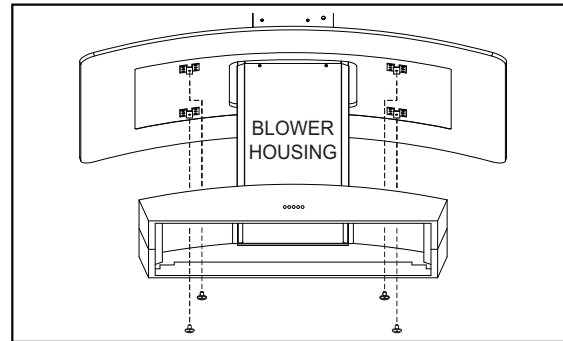


FIG. G

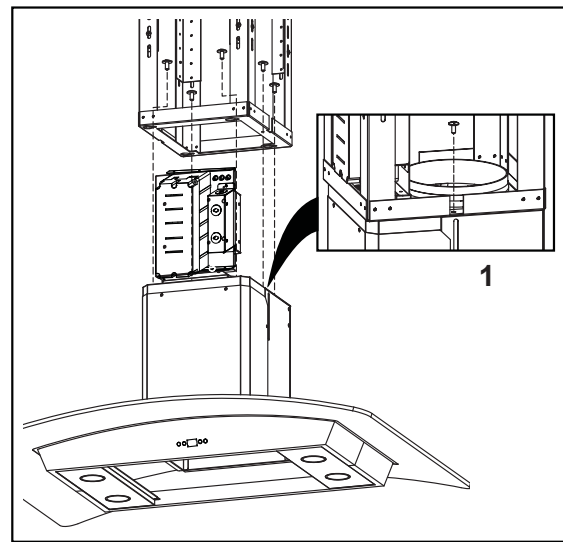


FIG. H

7. Remove tape securing electronics mounting bracket to hood. (FIG. F, #1) Remove (3) screws from top of hood body and set screws aside. Position electronics mounting bracket as show in (FIG. F, #2) and secure to hood body using the (3) previously removed screws.
8. Remove aluminum mesh filters from hood. Place canopy over blower housing located on top of hood and secure it to hood body using (4) 3/16 x 1/4 pan-head machine screws through filter opening. (FIG. G)
9. Lift hood body and align the (4) pre-installed mounting screws on top of blower housing (FIG. A, #5 on Page 9) with the (4) key holes on the bottom of the support frame. (FIG. H) Slide hood towards the narrow end of key holes to lock in place. Hand tighten each of the (4) screws to secure hood to bottom of support frame. Install (1) M4 x 12mm safety screw into bottom support frame to further secure the hood. (FIG. H, #1) Reinstall mesh filters.
10. Install electrical and duct work. Seal duct work with aluminum duct tape.
11. Power up hood, verify all functions and check for leaks around duct tape.

Installation – Mounting the Hood

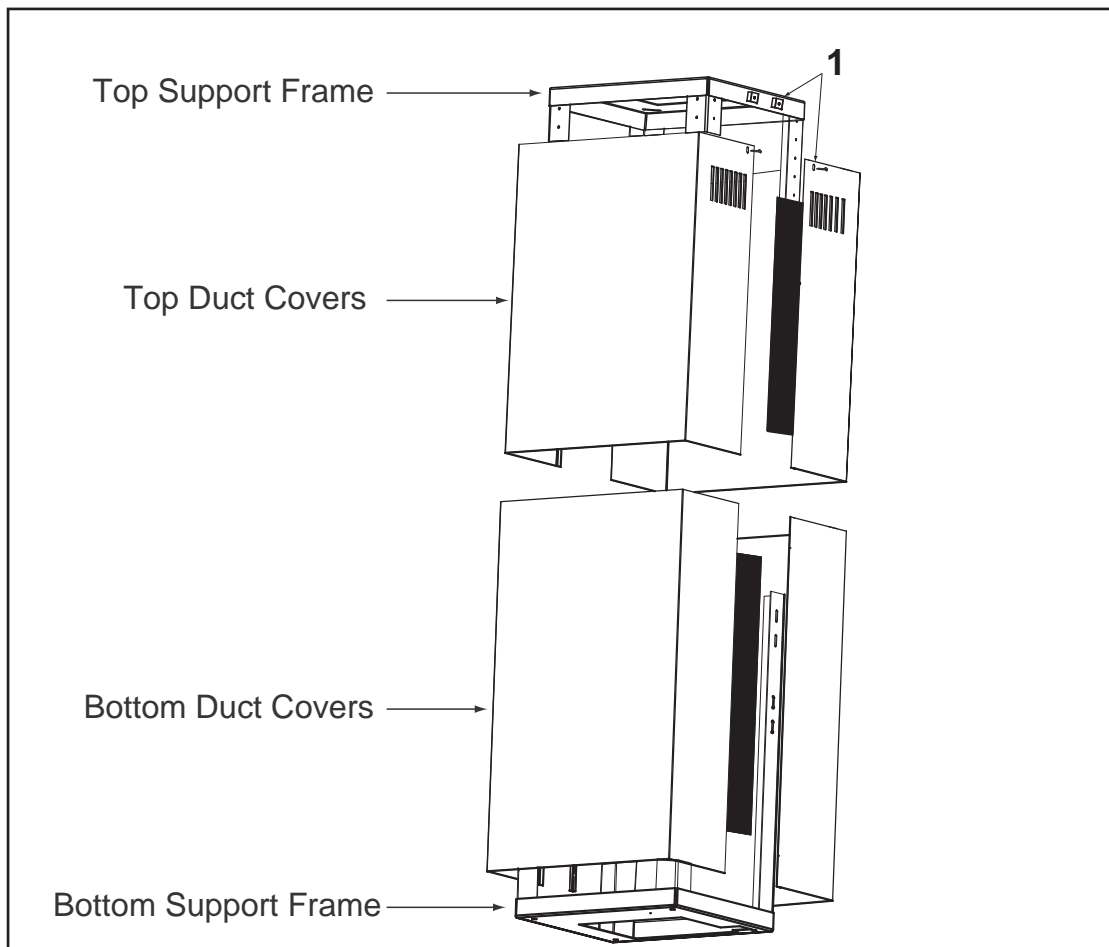


FIG. J

12. Assemble Top Duct Covers (with louver holes) together over Top Support Frame, secure Top Duct Covers together by magnetic strips. **Note:** If using hood in ductless recirculating mode you must install the air diverter plate to the Top Support Frame prior to assembling the duct covers. Turn to page 13 for more details.
13. Secure Top Duct Covers to Top Support Frame by using (4) 3/16 x 1/4 screws (2 screws for each Top Duct Cover). (FIG. J1).
14. Assemble Bottom Duct Covers together over Top Duct Covers and secure together by magnetic strips. Bottom Duct Covers should rest on top of the Hood Body.

Ductless recirculation is intended for applications where an exhaust duct work is not possible to be installed. When converted, the hood functions as a recirculating hood rather than an exhaust hood. Fumes and exhaust from cooking are drawn and filtered by a set of optional charcoal filters. The air is then purified and re-circulated back within the home.

We recommend to ALWAYS exhaust air outside of the home by employing existing or installing new duct work, if possible. The hood is most effective and efficient as an exhaust hood. Only when the exhaust option is not possible should you recourse to converting the hood into a recirculating hood.

When converted to be a recirculating hood, a set of charcoal filters are required on top of its standard Aluminum Mesh Filter set. Order according to its Part number below. The standard Aluminum Mesh Filters are intended to capture residue from cooking and the optional charcoal filters help to purify fumes exhausted from cooking for re-circulation.

RECIRCULATING KIT (REQUIRED IF NO DUCTING IS USED)

Kit includes charcoal filters, charcoal filter bracket and air diverter plate.

Hood Model	Part No.	Filters in Pkg.
ZML-M90BG/BS	ZRC-00ML	2
ZML-E42BG/BS	ZRC-00ML	2

1. Purchase recirculating kit per the part number above
2. Secure air diverter plate to top support frame. (FIG. K) Run 8" ducting from top of hood and secure to air diverter plate.
3. Remove aluminum mesh filters from hood. Install charcoal filter bracket to the inside filter opening. Note: screws to secure charcoal filter bracket are already pre-installed in the hood and must first be removed. Clip charcoal filters into charcoal filter bracket. (FIG. K)
4. Re-install aluminum mesh filters.
5. Turn on charcoal filter change indicator on control panel (refer to details on page 15.) The microprocessor in the controls will indicate the need to change the charcoal filter after 120 hours of continuous use. Order replacement charcoal filters per the list below.

Note: Refer to manual included with recirculating kit for more detailed installation instructions.

Charcoal Filter Replacements

Hood Model	Part No.	Qty to Order
ZML-M90BG/BS	Z0F-C002	2
ZML-E42BG/BS	Z0F-C002	2

DO NOT WASH CHARCOAL FILTERS. Charcoal filters may need to be changed more often depending on cooking habits.

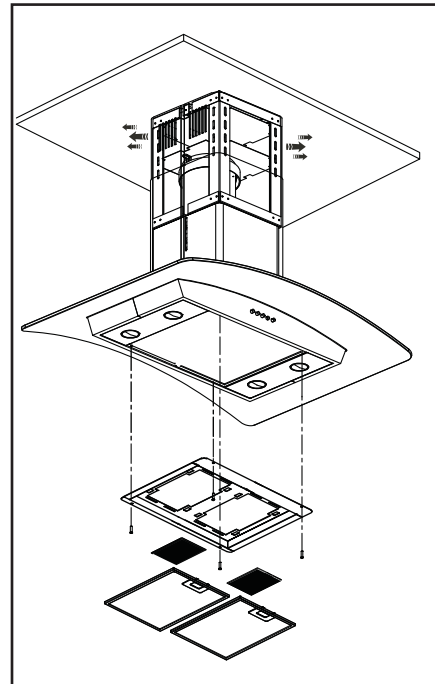
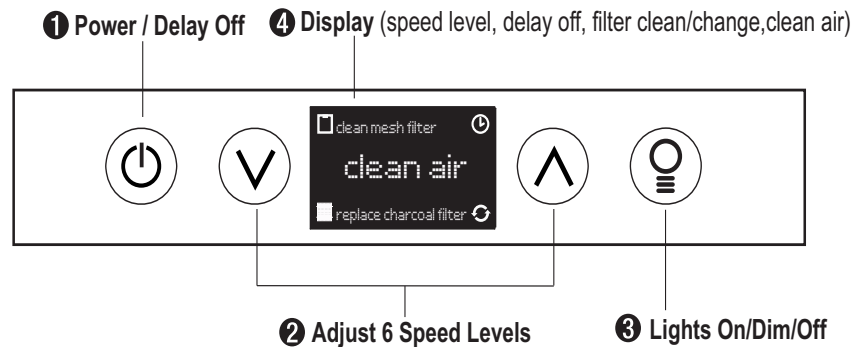





FIG. K






1 Power / Delay Off Button


Power Button Function

-  Button will turn power on and off for entire hood (fan and lights).
- Hood will remember the last speed and light level it was turned off at.
(Example: Press  Button to turn off hood when on fan speed 4 and high lights. Press  Button again and the hood will turn back on at speed 4 and high lights level.)

Delay Off Button Function

- Press and hold  Button for two seconds and the fan will turn on speed 1. The  Graphic will illuminate. After five minutes the fan and lights will automatically turn off.
- Pressing  Button while Delay Off Function is enabled will turn the hood off and cancel the Delay Off Function.

ACT Verification

- Airflow Control Technology (ACT) allows the installer to set the maximum blower CFM to align with local codes and regulations.
 - To verify the maximum blower CFM:
 - With hood off, hold the  Button for three seconds. The blower CFM will be displayed on the LCD.

2 Speed Selection Button

Fan Speed Decrease Button

- Press this button to decrease fan speed. 6 (burst), 5, 4, 3, 2, 1.
- If fan is On Speed 1 and this button is pressed, fan will power Off.

Fan Speed Increase Button

- Press this button to increase fan speed. Fan On, 1, 2, 3, 4, 5, 6 (burst).
- If hood is Off and this button is pressed, fan will turn On Speed 1.

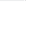


Burst Mode


- This speed level is intended to be used as a quick burst of air extraction when excess cooking fumes and smoke are generated. After 3 minutes the fan will automatically change to Speed 5.








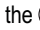

3 Lights Button

- Lights are two levels, High and Low.
- From off, press one time for High. LCD will show the words "lights hi" for 2 seconds then fade away.
- Press again for Low. LCD will display the words "lights lo" for 2 seconds then fade away.
- Press again to power lights off.









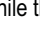
 **Mesh Filter Clean Indicator** *(always enabled)*

- After 30 hours of fan usage the  Graphic and words “clean mesh filter” will illuminate indicating it is time to clean the mesh filters. Graphic and words will remain illuminated until reset.
- **To reset:** With hood off, hold the  Button for three seconds, after three seconds the  Graphic and words “clean mesh filter” will turn off and the 30 hour timer will reset.

 **Charcoal Filter Replace Indicator** *(disabled by default, must be enabled if recirculating hood)*

- To enable Charcoal Filter Replacement Function:
 - With hood off, hold  Button and  Button simultaneously for three seconds. The  Graphic will illuminate for three seconds indicating the Charcoal Filter Replacement Function is enabled.
- To disable Charcoal Filter Replacement Function:
 - With hood off, hold  Button and  Button simultaneously for three seconds. The  Graphic will be illuminated then turn off indicating the Charcoal Filter Replacement Function is disabled.
- After 120 hours of fan usage the  Graphic and words “replace charcoal filter” will illuminate indicating it is time to replace the charcoal filter. *Graphic and words will remain illuminated until reset.*
- **To reset:** With hood off, hold the  Button for three seconds, after three seconds the  Graphic and words “replace charcoal filter” will turn off and the 120 hour timer will reset.

 **Clean Air Indicator**

- Clean Air is a feature that turns the fan on every 4 hours for 10 minutes to remove stagnant air in the kitchen.
 - To enable Clean Air Function:
 - With hood off, hold the  Button and  Button simultaneously for three seconds. The  Graphic and words “clean air” will illuminate and the fan will turn on speed 1 for 10 minutes. After 10 minutes the fan will turn off and the 4 hour timer will begin.
 -  Graphic will remain on when Clean Air Function is enabled, even if fan is not on.
 - To disable Clean Air Function:
 - With hood off, hold the  Button and  Button simultaneously for three seconds until  Graphic turns off.
- When the Clean Air Function is enabled the fan will turn on speed 1 for 10 minutes every 4 hours of non fan usage. After 10 minutes the fan will turn off and the 4 hour timer will reset.
- If the user changes the fan speed while the Clean Air Function is in use, the words “clean air” will turn off but the  Graphic will remain illuminated. If the user presses the  Button at any time the 4 hour clean air timer will reset.

SURFACE MAINTENANCE:

Do not use corrosive detergents, abrasive detergents or oven cleaners.
Do not use any product containing chlorine bleach or any product containing chloride.
Do not use steel wool or abrasive scrubbing pads which will scratch and damage surface.

Cleaning Stainless Steel

Clean periodically with warm soapy water and clean cotton cloth or micro fiber cloth. Always rub in the direction of the stainless steel grain. To remove heavier grease build up use a liquid degreaser detergent.

After cleaning use a non-abrasive stainless steel polish/cleaners, to polish and buff out the stainless luster and grain. Always scrub lightly, with clean cotton cloth or micro fiber cloth and buff in the direction of the stainless steel grain.

Aluminum Mesh Filters

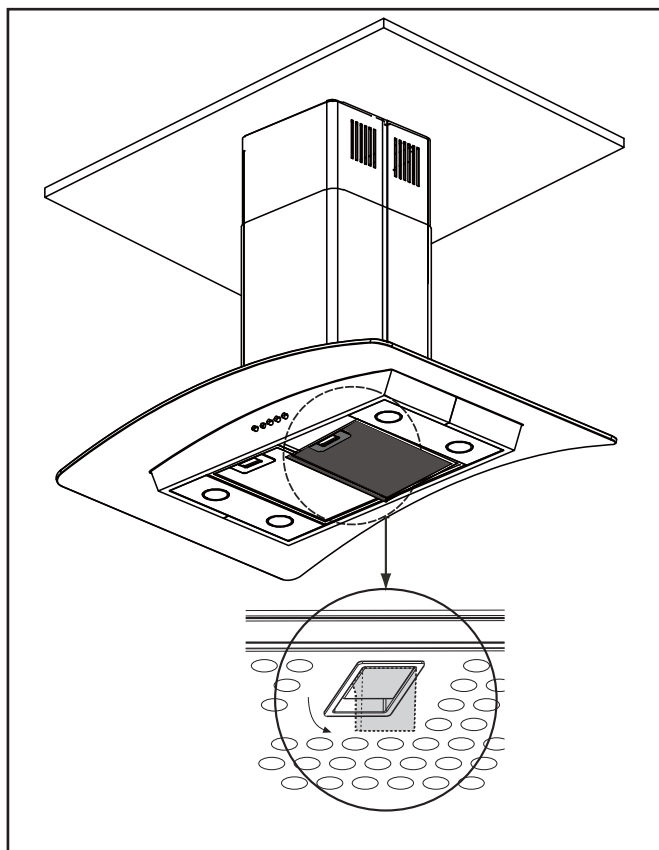
The aluminum mesh filters installed by the factory are intended to filter out residue and grease from cooking. They need not be replaced on a regular basis but are required to be kept clean.

Remove and clean by hand or in dishwasher using a non-phosphate detergent. Discoloration of the filter may occur if using phosphate detergents, or as a result of local water conditions - but this will not affect filter performance. This discoloration is not covered by the warranty. Spray degreasing detergent and leave to soak if heavily soiled.

Dry filters and re-install before using hood.

Removing Aluminum Mesh Filters

1. Pull down on filter latch to release filter tabs
2. Pull down on front of filter to remove



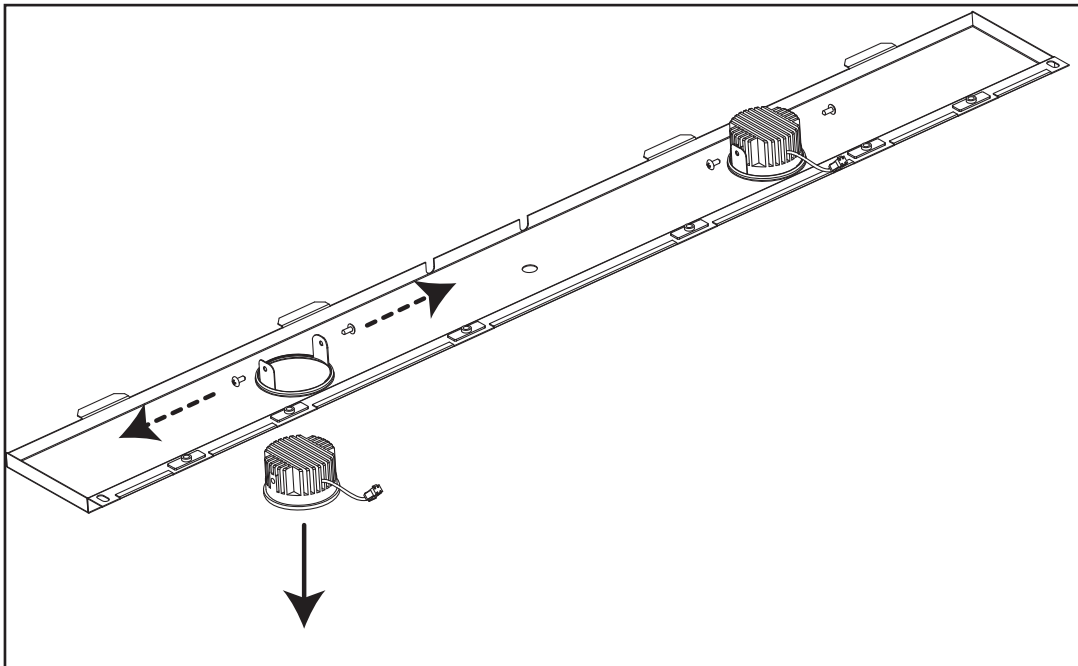
BLOOM HD LED LIGHTS

In the unlikely event that your Bloom LED light fails, please contact Zephyr to order replacement parts.

See list of parts and accessories page for part #'s and contact information.

To replace Bloom LED light

1. Remove aluminum mesh filters.
2. Remove light panel by two screws.
3. Disconnect Bloom LED light quick connector.
4. Remove two screws from each side of Bloom LED
5. Push Bloom LED light through the light panel opening.

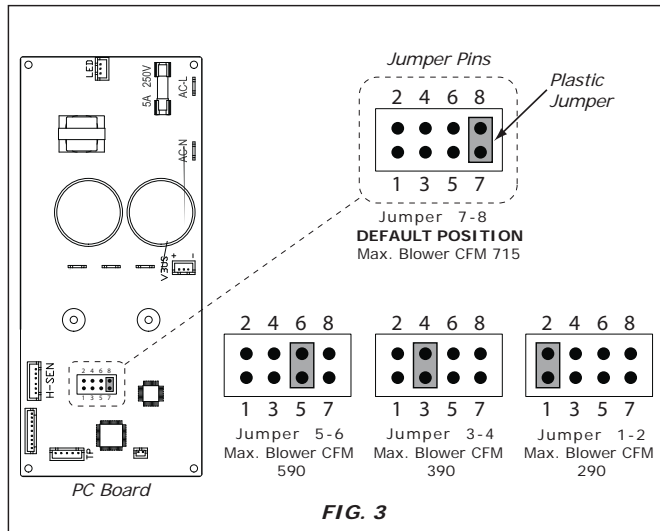
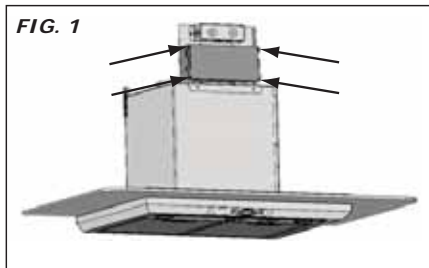


TROUBLESHOOTING PROCEDURES FOR MILANO ISLAND

Issue	Cause	What to do
After installation, the unit doesn't work.	1. The power source is not turned ON.	1. Make sure the circuit breaker and the unit's power is ON.
	2. The power line and the cable locking connector is not connecting properly.	2. Check the power connection with the unit is connected properly.
	3. The wires on the control board are loose.	3. Make sure the wires on the control board are connected properly.
	4. The switch board and control board wirings are disconnected.	4. Make sure the wirings between the switch board and control board are connected properly.
	5. The switch board or control board is defective.	5. Change the switch board or control board.
Light works, but blower is not turning.	1. The blower cable is disconnected.	1. Check all wirings from the blower to be sure all cables are connected properly.
	2. The blower is defective, possibly seized.	2. Change the blower.
	3. The thermally protected system detects if the blower is too hot to operate and shuts the blower down.	3. The blower will function properly after the thermally protected system cool down.
	4. The switch board or control board is defective.	4. Change defective part.
The LCD screen is blinking.	1. The switch board cable or or motor cable is loose.	2. Check all wirings from blower and switch to control board to be sure all cables are connected properly.
The unit is vibrating.	1. The motor is not secure in place.	1. Tighten the motor in place.
	2. Damaged blower wheel.	2. Replace the blower.
	3. The hood is not secured in place.	3. Check the installation of the hood.
The unit is whistling.	1. The filter is not in the correct position.	1. Adjust the filters until the whistling stops.
	2. The duct pipe connections are not sealed or connected properly.	2. Check the duct pipe connections to be sure all connections are sealed properly.
The blower is working, but the lights are not.	1. Defective LED bulb.	1. Change the LED bulb.
	2. The LED bulb wire is loose.	2. Check LED wire connections at the control board and the LED light bulbs. Reconnect any loose wires.
The speed levels of the blower sound the same.	1. Using the wrong size of ducting.	1. Change the ducting to at least 8" or higher.
	2. ACT enabled blower CFM set to 290 or 390 CFM.	2. Noise level distinction between some speeds may be minimal when ACT enabled blower is set to 290 or 390 CFM.
The hood is not venting out properly.	1. The hood might be hanging too high from the cook top.	1. Adjust the distance between the cook top and the bottom of the hood within 26" and 34" range.
	2. The wind from the opened windows or opened doors in the surrounding area are affecting the ventilation of the hood.	2. Close all the windows and doors to eliminate the outside wind flow.
	3. Blockage in the duct opening or ductwork.	3. Remove all the blocking from the duct work or duct opening.
	4. The direction of duct opening is against the wind.	4. Adjust the duct opening direction.
	5. Using the wrong size of ducting.	5. Change the ducting to at least 8" or higher for the internal blower.
Mesh Filter is vibrating.	1. Mesh filter is loose.	1. Make sure the metal clips in the handle are not stuck. Or replace the mesh filter.
	2. Filter spring clip is loose or broken.	2. Uninstall and reinstall filter, push up on filter latch. Replace mesh filter if needed.

WHY CONTROL THE MAXIMUM BLOWER CFM?

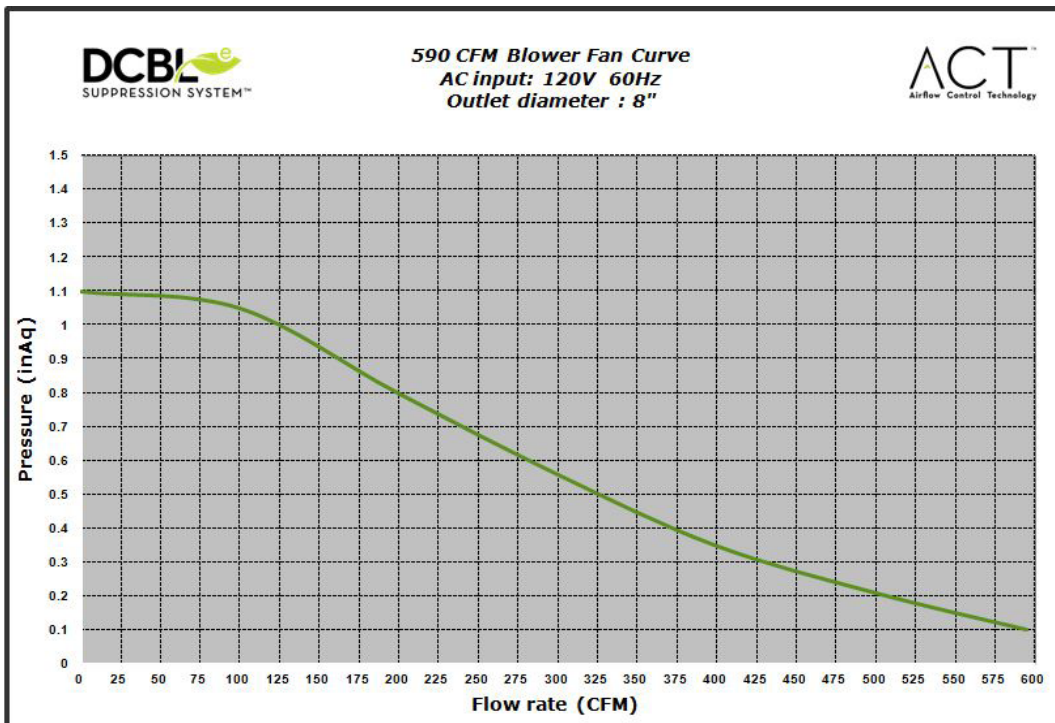
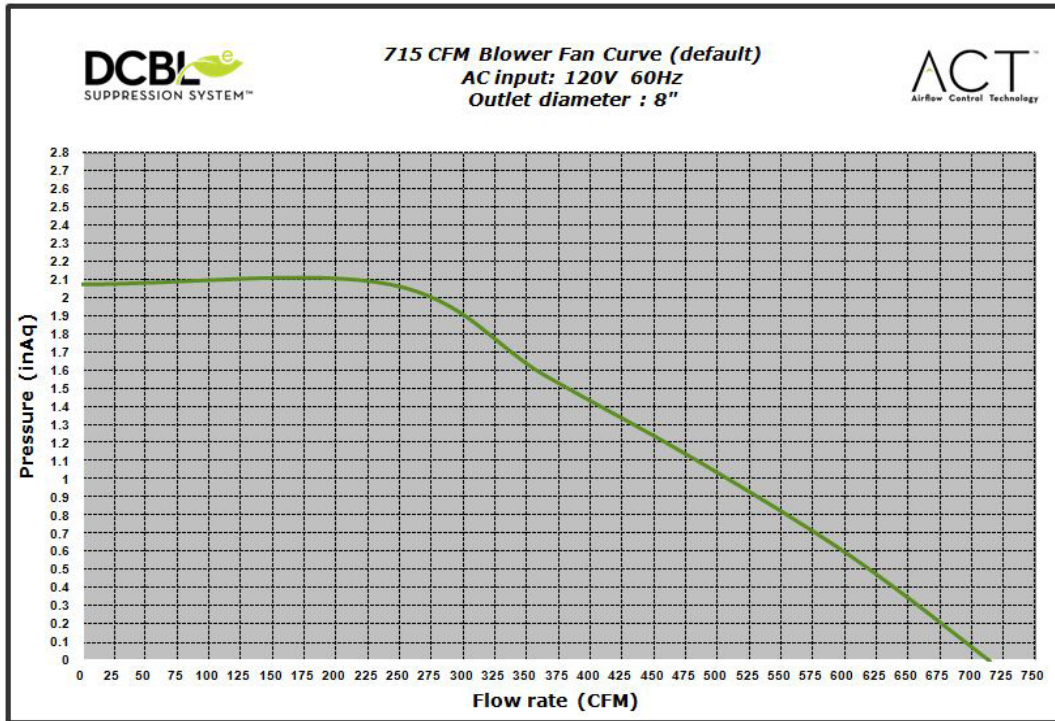
Zephyr recommends to always use the appropriate blower CFM to handle your cooking surface but some local codes limit the maximum amount of CFM a range hood can move. Zephyr Airflow Control Technology (ACT) allows you to control the maximum blower CFM of hoods with Zephyr's DCBL Suppression System. ACT enables the installer to easily set the maximum blower speed to one of three most commonly specified CFM levels; 590, 390 or 290 CFM. Note: After the new CFM is set it cannot be reversed. **Note: If no maximum CFM limit is enforced by your local code please disregard this instruction sheet.**



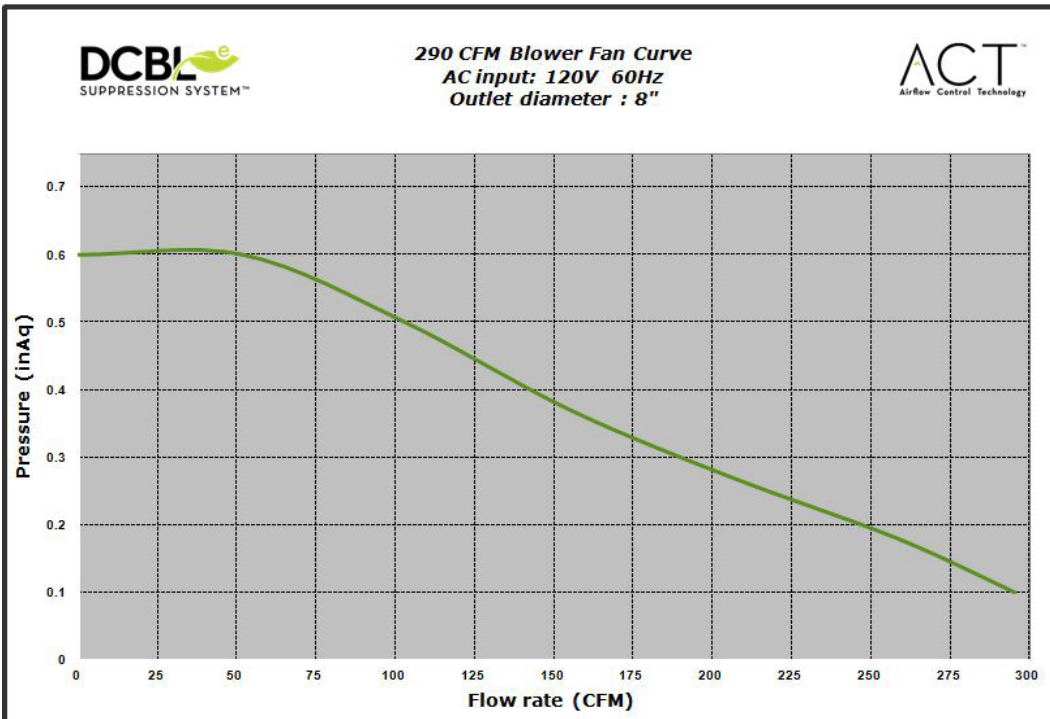
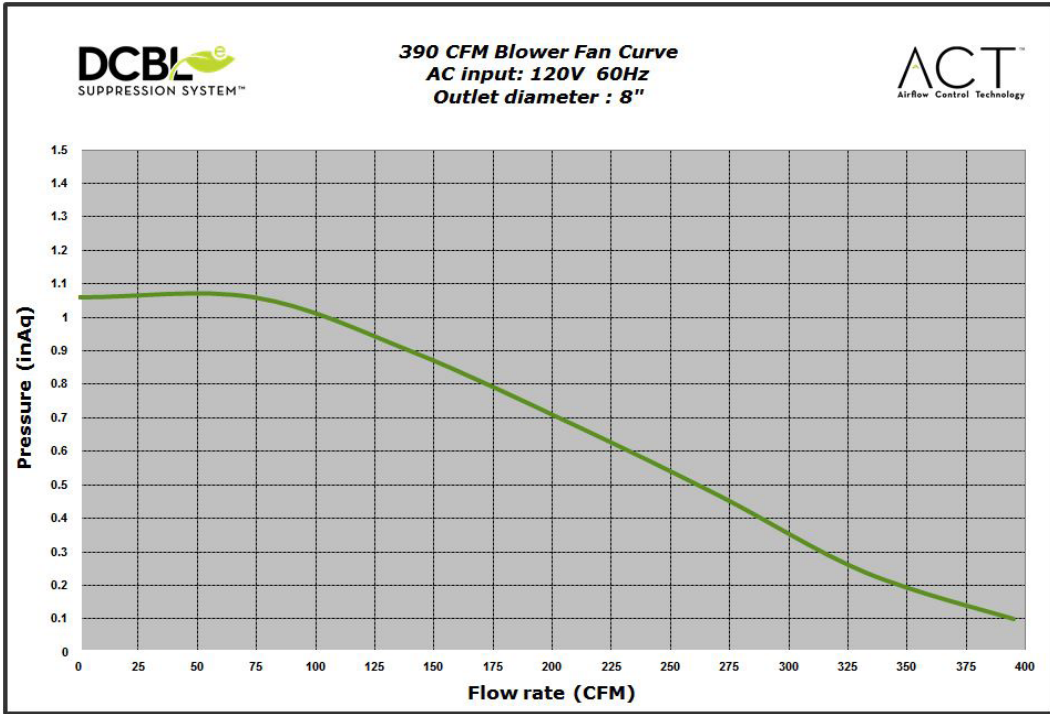
⚠ CAUTION: Hood must be disconnected from main power prior to performing the conversion instructions listed below. Failure to do so could result in personal injury or damage the hood.

- 1) Before hood installation, gain access to PC board by following the steps listed below.
 PC board is located on top of motor housing. Unscrew (4) screws and remove PC board from PC board box. *FIG. 1*
 Take care when removing PC board as there are many wires connected to the board. Disconnecting all the wires is not necessary as long as you can easily access the jumper pins shown in *FIG. 3*.
- 2) Change plastic jumper position as shown in *FIG. 3* to set the desired maximum blower CFM. By default the maximum CFM is set to 715 (jumper position 7 - 8).
- 3) Re-attach PC board to PC board box. When hood is first powered on the new maximum blower CFM will appear on the LCD for two seconds. Maximum blower CFM can also be displayed on the LCD by pressing the Power Button for three seconds (with hood off).
- 4) Remove the appropriate blower CFM sticker included with this sheet and place inside the hood body below the wiring diagram label or in a clearly visible location. **Note:** After re-positioning the jumper and powering on the hood, the CFM cannot be changed again. Please contact Zephyr if you need further assistance.

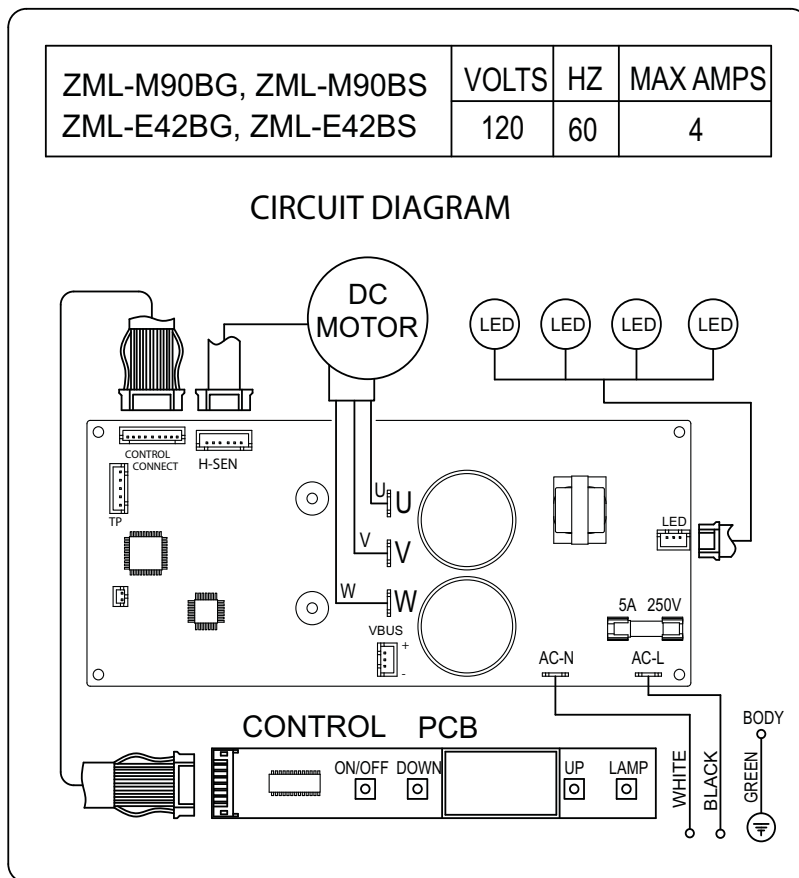
Fan Curve Diagrams



Fan Curve Diagrams



Wiring Diagram



Power consumption shown for default 715 CFM blower configuration

ACT 590 CFM - Fan Max. 130W @ 1.8A

ACT 390 CFM - Fan Max. 70W @ 1A

ACT 290 CFM - Fan Max. 35W @ .55A

DESCRIPTION	PART#
Replacement Parts	
Light Bulb, LED 3W	Z0B0032
Aluminum Mesh Filter	50200043
Optional Accessories	
Recirculating Kit	ZRC-00ML
Replacement Charcoal Filter	Z0F-C002
Duct Cover Extension (up to 12' ceiling)	Z1C-03ML
Wireless Remote Control Kit	RC-0001
Make-Up Air Kit	MUA008A

To order parts, visit us online at <http://store.zephyronline.com> or call us at 1.888.880.8368

ZEPHYR Limited Warranty

STAPLE YOUR RECEIPT HERE
Proof of the original purchase
date is needed to obtain
service under warranty

**TO OBTAIN SERVICE UNDER WARRANTY OR FOR ANY SERVICE RELATED QUESTIONS, please call:
1-888-880-8368**

Zephyr Ventilation, LLC (referred to herein as “we” or “us”) warrants to the original consumer purchaser (referred to herein as “you” or “your”) of Zephyr products (the “Products”) that such Products will be free from defects in materials or workmanship as follows:

Three Year Limited Warranty for Parts: For three years from the date of your original purchase of the Products, we will provide, free of charge, Products or parts (including LED light bulbs, if applicable) to replace those that failed due to manufacturing defects subject to the exclusions and limitations below. We may choose, in our sole discretion, to repair or replace parts before we elect to replace the Products.

One Year Limited Warranty for Labor: For one year from the date of your original purchase of the Products, we will provide, free of charge, the labor cost associated with repairing the Products or parts to replace those that failed due to manufacturing defects subject to the exclusions and limitations below. After the first year from the date of your original purchase, you are responsible for all labor costs associated with this warranty.

Warranty Exclusions: This warranty covers only repair or replacement, at our option, of defective Products or parts and does not cover any other costs related to the Products including but not limited to: (a) normal maintenance and service required for the Products and consumable parts such as fluorescent, incandescent or halogen light bulbs, mesh and charcoal filters and fuses; (b) any Products or parts which have been subject to freight damage, misuse, negligence, accident, faulty installation or installation contrary to recommended installation instructions, improper maintenance or repair (other than by us); (c) commercial or government use of the Products or use otherwise inconsistent with its intended purpose; (d) natural wear of the finish of the Products or wear caused by improper maintenance, use of corrosive and abrasive cleaning products, pads, and oven cleaner products; (e) chips, dents or cracks caused by abuse or misuse of the Products; (f) service trips to your home to teach you how to use the Products; (g) damage to the Products caused by accident, fire, floods, acts of God; or (h) Custom installations or alterations that impact serviceability of the Products. If you are outside our service area, additional charges may apply for shipping costs for warranty repair at our designated service locations and for the travel cost to have a service technician come to your home to repair, remove or reinstall the Products. After the first year from the date of your original purchase, you are also responsible for all labor costs associated with this warranty. All Products must be installed by a qualified professional installer to be eligible for warranty repairs or service.

Limitations of Warranty. OUR OBLIGATION TO REPAIR OR REPLACE, AT OUR OPTION, SHALL BE YOUR SOLE AND EXCLUSIVE REMEDY UNDER THIS WARRANTY. WE SHALL NOT BE LIABLE FOR INCIDENTAL, CONSEQUENTIAL OR SPECIAL DAMAGES ARISING OUT OF OR IN CONNECTION WITH THE USE OR PERFORMANCE OF THE PRODUCTS. THE EXPRESS WARRANTIES IN THE PRECEDING SECTION ARE EXCLUSIVE AND IN LIEU OF ALL OTHER EXPRESS WARRANTIES. WE HEREBY DISCLAIM AND EXCLUDE ALL OTHER EXPRESS WARRANTIES FOR THE PRODUCTS, AND DISCLAIM AND EXCLUDE ALL WARRANTIES IMPLIED BY LAW, INCLUDING THOSE OF MERCHANTABILITY AND FITNESS FOR A PARTICULAR PURPOSE.

Some states or provinces do not allow limitations on the duration of an implied warranty or the exclusion or limitation of incidental or consequential damages, so the above limitations or exclusions may not apply to you. To the extent that applicable law prohibits the exclusion of implied warranties, the duration of any applicable implied warranty is limited to the same three-year and one-year periods described above if permitted by applicable law. Any oral or written description of the Products is for the sole purpose of identifying the Products and shall not be construed as an express warranty. Prior to using, implementing or permitting use of the Products, you shall determine the suitability of the Products for the intended use, and you shall assume all risk and liability whatsoever in connection with such determination. We reserve the right to use functionally equivalent refurbished or reconditioned parts or Products as warranty replacements or as part of warranty service. This warranty is not transferable from the original purchaser and only applies to the consumer residence where the Product was originally installed located in the United States and Canada. This warranty is not extended to resellers.

To Obtain Service Under Limited Warranty: To qualify for warranty service, you must: (a) notify us at the address or telephone number stated below within 60 days of the discovery of the defect; (b) give the model number and serial number; and (c) describe the nature of any defect in the Product or part. At the time of the request for warranty service, you must present evidence of your proof of purchase and proof of the original purchase date. If we determine that the warranty exclusions listed above apply or if you fail to provide the necessary documentation to obtain service, you will be responsible for all shipping, travel, labor and other costs related to the services. This warranty is not extended or restarted upon warranty repair or replacements.

Please check our website for any additional Product information, www.zephyronline.com.

Zephyr Ventilation Service Department, 2277 Harbor Bay Parkway, Alameda, CA 94502 1-888-880-8368

PRODUCT REGISTRATION

Congratulations on your Zephyr range hood purchase! Please take a moment to register your new range hood at www.zephyronline.com/registration

IT'S IMPORTANT

Prompt registration helps in more ways than one.

- Ensures warranty coverage should you need service.
- Ownership verification for insurance purposes.
- Notification of product changes or recalls.



Zephyr Ventilation | 2277 Harbor Bay Pkwy. | Alameda, CA 94502 | 1.888.880.8368

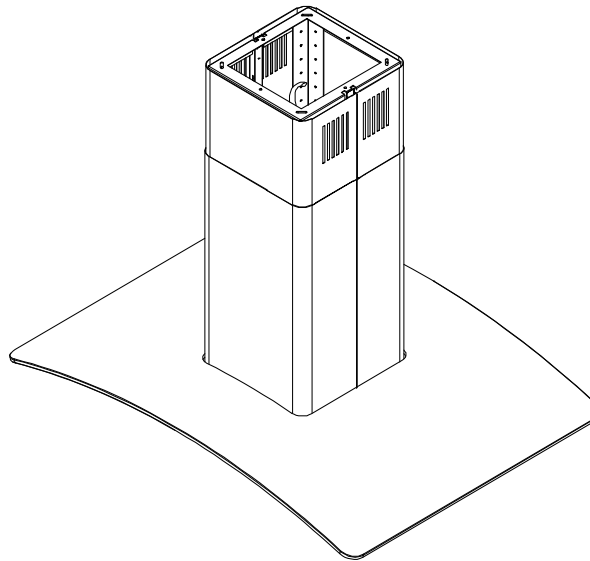
Milano Island

ZML-M90BG

ZML-M90BS

ZML-E42BG

ZML-E42BS



Numéro de modèle : _____

Numéro de série : _____

APR19.1101 © Zephyr Ventilation LLC.

Pour une utilisation avec des modèles de numéros de série commençant par 24

DCBL^e
SUPPRESSION SYSTEM™

+

ACT[™]
Airflow Control Technology

MISE EN GARDE DE SÉCURITÉ	2-3
LISTE DU MATÉRIEL	4
 INSTALLATION	
Feuille de calcul pour le conduit.....	5
Espace libre et hauteur de montage.....	6
Options d'installation pour le conduit.....	7
Spécifications de la hotte.....	8
Montage de la hotte.....	9-12
Reprise d'air sans conduit.....	13
 COMMANDES	
Commandes à effleurement.....	14
Interface utilisateur.....	15
 ENTRETIEN	
Nettoyage des filtres et de la hotte.....	16
Bloom lumières LED.....	17
 DÉPANNAGE	
 CONVERSION DE LA ACT	
 TABLEAU DE RENDEMENT DU VENTILATEUR	
 SCHÉMA DE CÂBLAGE	
 LISTES DES ACCESSOIRES ET DES PIÈCES	
 GARANTIE	
 ENREGISTRMENT DU PRODUIT	

AVERTISSEMENT

POUR RÉDUIRE LES RISQUES D'INCENDIE OU DE DÉCHARGE ÉLECTRIQUE, N'UTILISEZ PAS CET APPAREIL AVEC UN TABLEAU DE COMMANDE À SEMI-CONDUCTEURS.

AVERTISSEMENT

POUR RÉDUIRE LES RISQUES D'INCENDIE, DE DÉCHARGE ÉLECTRIQUE OU DE BLESSURE, RESPECTEZ CES CONSIGNES :

- N'utilisez cet appareil que de la manière prévue par le fabricant. Si vous avez des questions, communiquez avec le fabricant.
- Avant de procéder au nettoyage ou à l'entretien de l'appareil, éteignez l'alimentation du panneau électrique et bloquez le dispositif de déconnexion pour éviter que l'alimentation électrique ne soit accidentellement rallumée. Si le dispositif de sectionnement d'électricité ne peut être bloqué, attachez un avertissement (comme une étiquette) bien en vue sur le tableau électrique.

ATTENTION

Pour ventilation générale seulement. N'utilisez pas cet appareil pour évacuer des vapeurs et des matériaux explosifs ou dangereux. Prenez garde lors de l'utilisation d'agents nettoyants ou de détergents. Ne devrait être utilisé que dans la cuisine de votre maison.

AVERTISSEMENT

POUR RÉDUIRE LES RISQUES DE FEU DE GRAISSE SUR LA SURFACE DE CUISSON :

- Ne laissez jamais l'appareil sans surveillance lors de son utilisation à haute température. Les débordements par bouillonnement causent de la fumée et des déversements de graisse qui peuvent prendre feu. Faites chauffer l'huile à des températures basses ou moyennes.
- Allumez toujours la hotte lorsque vous cuisinez à haute température ou que vous faites flamber des aliments.
- Nettoyez fréquemment les ventilateurs de la hotte. La graisse ne devrait jamais s'accumuler dans les ventilateurs ou les filtres.
- Utilisez des poêlons aux dimensions adéquates. Utilisez toujours une batterie de cuisine correspondant aux dimensions de l'élément.
- Assurez-vous que le ventilateur, les filtres et les surfaces où la graisse pourrait s'accumuler sont toujours propres.
- Utilisez le réglage haut de la hotte seulement lorsque nécessaire.
- Ne laissez pas la hotte sans surveillance lorsque vous cuisinez.
- Utilisez toujours une batterie de cuisine et des ustensiles convenant au type et à la quantité de nourriture que vous préparez.

AVERTISSEMENT

POUR RÉDUIRE LES RISQUES DE BLESSURE LORS D'UN INCENDIE SUR LA SURFACE DE CUISSON :

- ÉTOUFFEZ LES FLAMMES avec un couvercle, une plaque à biscuits ou un plateau de métal et éteignez ensuite le brûleur. PRENEZ GARDE AUX RISQUES DE BRÛLURE. Si les flammes ne disparaissent pas, ÉVACUEZ LES LIEUX ET APPELEZ LE SERVICE D'INCENDIE.
- NE PRENEZ JAMAIS UN POÉLON EN FEU – Vous pourriez vous brûler.
- N'UTILISEZ PAS D'EAU, ou un linge à vaisselle mouillé – une violente explosion de vapeur s'ensuivra.
- Utilisez un extincteur SEULEMENT si :
 - Vous savez que vous possédez un extincteur de classe ABC et vous savez vous en servir.
 - Le feu est faible et ne s'est pas répandu depuis son point d'origine.
 - Vous avez appelé le service d'incendie.
 - Vous pouvez sortir facilement de l'endroit où vous combattez le feu.

AVERTISSEMENT

POUR RÉDUIRE LES RISQUES D'INCENDIE, DE DÉCHARGE ÉLECTRIQUE OU DE BLESSURE, SUIVEZ LES CONSIGNES SUIVANTES :

- Les travaux d'installation et de câblage électrique doivent être faits par une personne qualifiée selon les stipulations de tous les normes et standards en vigueur, dont les normes des constructions ayant une cote de résistance au feu.
- Pour prévenir les contre-explosions, une certaine quantité d'air est nécessaire pour la combustion et l'évacuation des gaz par le carneau (cheminée) de l'appareil de combustion. Respectez les directives du fabricant d'outillage de chauffage et les normes de sécurité comme celles publiées par la NFPA (Association nationale des services d'incendie), par la Société américaine des ingénieurs en chauffage, réfrigération et climatisation (ASHRAE) et par les normes des autorités locales.
- Lorsque vous coupez ou percez un mur ou un plafond, assurez-vous de ne pas endommager le câblage électrique ou toute autre installation technique dissimulée.
- Les ventilateurs canalisés doivent toujours évacuer l'air à l'extérieur.
- Si l'appareil est installé près d'une baignoire ou d'une douche, il doit être désigné convenablement pour cette application et être branché à un disjoncteur de fuite de terre.
- N'installez JAMAIS un interrupteur à une distance atteignable depuis un bain ou une douche.
- Assurez-vous que l'alimentation électrique est éteinte avant de procéder à l'installation, au câblage ou à l'entretien de l'appareil

ATTENTION

POUR RÉDUIRE LES RISQUES D'INCENDIE, N'UTILISEZ QUE DES CONDUITS D'AÉRATION EN MÉTAL. CET APPAREIL N'EST PAS CONÇU POUR ÊTRE UTILISÉ À L'EXTÉRIEUR.

ATTENTION

Pour réduire les risques d'incendie et pour évacuer l'air convenablement, assurez-vous de canaliser l'air à l'extérieur de la maison. N'installez pas l'échappement du conduit dans les espaces entre les murs, le plafond, le grenier, les vides sanitaires ou le garage.

FONCTIONNEMENT

Laissez toujours les grilles de sûreté et les filtres en place. Sans ces éléments, les ventilateurs en marche pourraient accrocher des cheveux, des doigts ou des vêtements amples.

Le fabricant se dégage de toute responsabilité dans les cas de non-respect des instructions transmises dans le présent manuel pour l'installation, l'entretien et l'utilisation adéquate du produit. Le fabricant se dégage également de toute responsabilité pour des blessures qui résulteraient de la négligence lors de l'utilisation. De plus, la garantie prend fin automatiquement lors de l'entretien inapproprié de l'appareil.

*NOTE : Veuillez communiquer avec nous ou visitez le www.zephyronline.com pour obtenir des révisions avant de procéder à des travaux sur commande.

EXIGENCES ÉLECTRIQUES

Important :

Respectez tous les codes et règlements en vigueur.

Il est de la responsabilité du client de :

- Communiquer avec un installateur-électricien qualifié.
- S'assurer que l'installation électrique est adéquate et qu'elle respecte le Code national de l'électricité, la plus récente édition* du ANSI/NFPA 70 ou des normes du CSA C22.1-94, le Code canadien de l'électricité, section 1, la plus récente édition** du code C22.2 No.0-M91 ainsi que tous les codes et règlements en vigueur.

Si les codes permettent l'utilisation d'un fil de garde isolé et que vous en utilisez un, il est recommandé qu'un électricien qualifié détermine si le cheminement du fil est adéquat.

N'effectuez pas la mise à la terre à un tuyau de gaz.

Demandez à un électricien qualifié si vous n'êtes pas certain que la hotte a été mise à la terre adéquatement.

N'introduisez aucun fusible dans le circuit neutre ou de mise à la terre.

*National Fire Protection Association Batterymarch Park, Quincy, Massachusetts 02269

** CSA International 8501 East Pleasant Valley Road, Cleveland, Ohio 44131-5575

Cet appareil requiert une alimentation électrique de 120V 60Hz. Il doit être connecté à un circuit terminal individuel dûment mis à la terre, protégé par un disjoncteur de circuit ou un fusible temporisé de 15 ou 20 ampères. Le câblage doit compter 2 fils avec mise à la terre. Veuillez vous référer au Diagramme électrique étiqueté sur l'appareil.

Un raccord de câble (non inclus) pourrait également être exigé par les normes et réglementations locales. Informez-vous des exigences et des normes locales. Achetez et installez le connecteur approprié si nécessaire.

ZML-M90BG/BS – MAX 215 Watts, 4 Ampères

ZML-E42BG/BS – MAX 215 Watts, 4 Ampères

Consommation ci-dessus est des spécifications d'alimentation par défaut. Hottes avec Zephyr technologie écoulement d'air de contrôle exclusif (ACT) a permis consomme moins d'énergie. Voir le schéma de câblage à la fin de ce manuel pour plus d'informations.

Prop. 65 Avertissement pour les résidents californiens

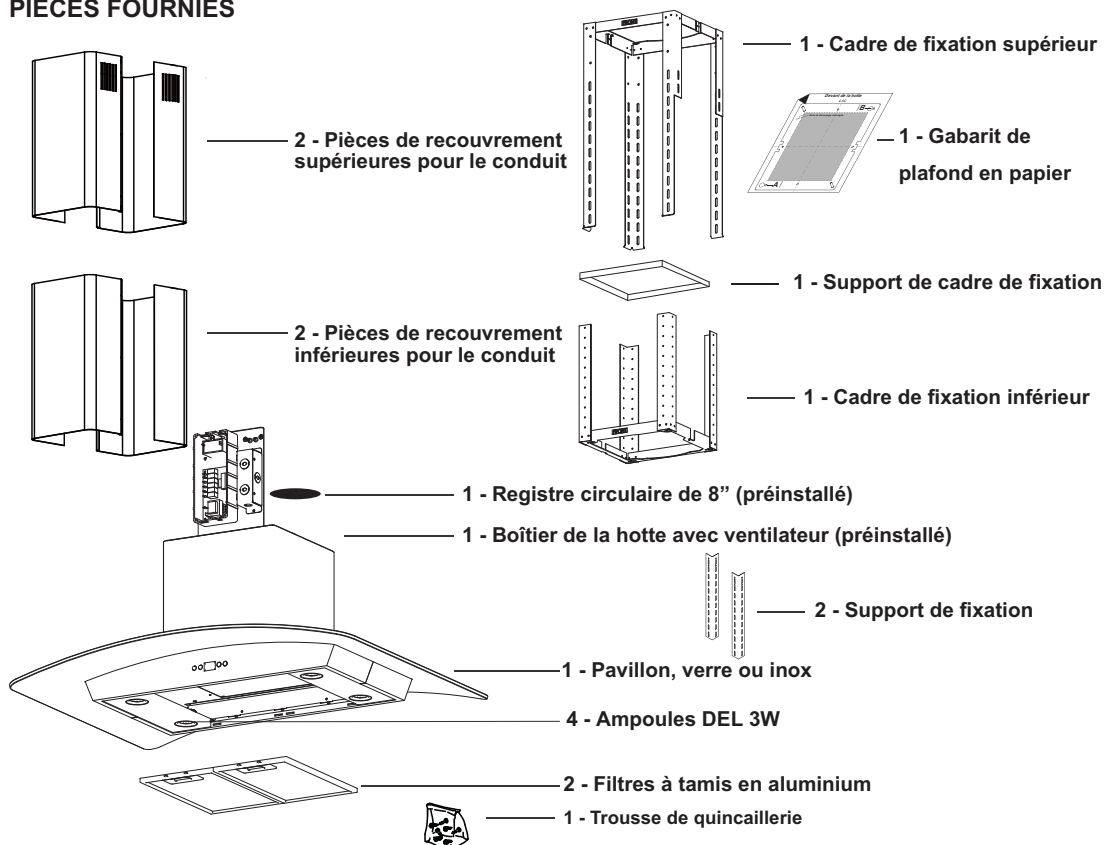


AVERTISSEMENT:

Cancer et troubles de l'appareil reproducteur
www.P65Warnings.ca.gov

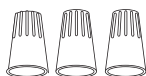
MODÈLES : ZML-M90BG/BS , ZML-E42BG/BS

PIÈCES FOURNIES

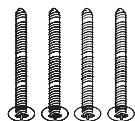


CONTENU DE LA TROUSSE DE QUINCAILLERIE

(3) Capuchons de connexion



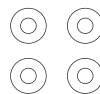
(4) M6 x 1 - 1/2" (vis à bois)



(4) 3/16 x 1/4 (vis pour pavillon)



(4) rondelles ø12 OD / ø5 ID



(20) M4 x 8



(1) M4 x 12 (vis de sûreté)

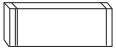

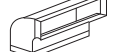








(4) 3/16 x 1/4 vis







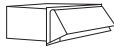




PIÈCES NON FOURNIES

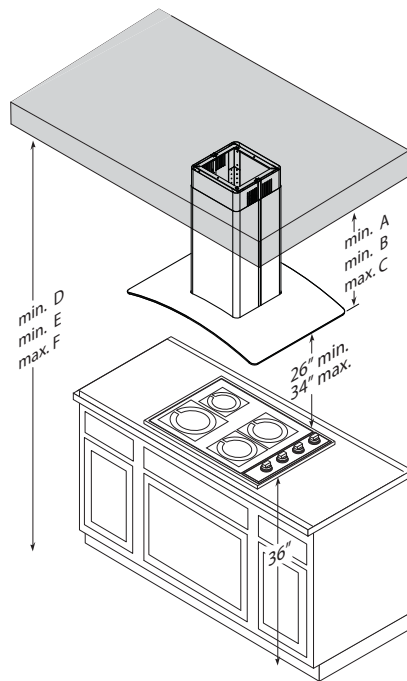
- Conduit et tous les outils d'installation
- Raccord de câble (si exigé par les codes en vigueur)
- Accessoire – prolongement pour recouvrement de conduit
- Accessoire – reprise d'air

Pièces de conduit		Longueur x	Nombre utilisé	=	Total
	3-1/4" x 10" rect., droit	1 pi	x () =		pi
	6", 7", 8", 10" circ., droit	1 pi	x () =		pi
	3-1/4" x 10" rect., coude à 90°	15 pi	x () =		pi
	3-1/4" x 10" rect., coude à 45°	9 pi	x () =		pi
	3-1/4" x 10" rect., coude plat à 90°	24 pi	x () =		pi
	7" to 6" or 8" to 7" circ. reducteur conique	25 pi	x () =		pi
	6", 7", 8" circ. bouchone de l'air	15 pi	x () =		pi
	6", 7", 8", 10" circ., coude à 90°	15 pi	x () =		pi
	6", 7", 8", 10" coude à 45°	9 pi	x () =		pi
Sous-total - colonne 1=					pi

Longueur maximale du conduit d'aération :
Pour un mouvement d'air convenable, la longueur totale d'un conduit d'aération ne devrait pas compter plus que l'équivalent de 100 pieds.

Pièces de conduit		Longueur x	Nombre utilisé	=	Total
	6" circ. à rect. de 3-1/4" x 10"	5 pi	x () =		pi
	6" circ. à rect. de 3-1/4" x 10", coude à 90°	20 pi	x () =		pi
	6" circ. à rect. de 3-1/4" x 10"	1 pi	x () =		pi
	6" circ. à rect. de 3-1/4" x 10", coude à 90°	16 pi	x () =		pi
	7" circ. à rect. de 3-1/4" x 10"	8 pi	x () =		pi
	7" circ. à rect. de 3-1/4" x 10", coude à 90°	23 pi	x () =		pi
	3-1/4" x 10" embout mural rect./registre	30 pi	x () =		pi
	6", 7", 8", 10" embout mural circ./registre	30 pi	x () =		pi
	6", 7", 8", 10" chapeau de toiture circ.	30 pi	x () =		pi
Sous-total - colonne 2 =					pi
Sous-total - colonne 1 =					pi
Total du conduit =					pi

Installation – Feuille de calcul pour le conduit d'aération



Hauteur de la hotte	Recouvrement de conduit standard	Prolongement de recouvrement de conduit
minimum avec conduit (A)	28 1/2"	44 1/2"
minimum avec reprise d'air (B)	32 1/2"	49"
maximum (C)	50"	82"
Hauteur de plafond		
minimum avec conduit (D)	90 1/2" (7' 6 1/2")	106 1/2" (8' 10 1/2")
minimum avec reprise d'air (E)	94 1/2" (7' 10 1/2")	111" (9' 3")
maximum (F)	120" (10')	152" (12' 8")

CONDUIT D'AÉRATION

Un conduit circulaire de 8" doit être utilisé pour assurer une circulation d'air maximale.

N'utilisez que des conduits en métal rigide. Les conduits souples pourraient réduire la circulation d'air jusqu'à 50 %.

Utilisez la feuille de calcul pour obtenir la longueur totale du conduit (page 5).

Lorsqu'il est possible de le faire, diminuez TOUJOURS le nombre de pièces et de changements de direction. Si un long tronçon de conduit est nécessaire, augmentez le diamètre du conduit de 8" à 10".

Si des changements de direction ou des adaptateurs sont nécessaires, installez-les le plus loin possible de l'ouverture et le plus éloigné possible l'un de l'autre.

La hauteur de montage minimale ne devrait pas être moins de 26".

La hauteur de montage maximale ne devrait pas dépasser 34".

Il est important d'installer la hotte à la hauteur de montage adéquate. Les hottes installées trop basses pourraient être endommagées par la chaleur en plus de présenter des risques d'incendie plus élevés tandis que les hottes installées trop hautes seront difficiles à atteindre et verront leur efficacité et leur rendement réduits.

Si elles sont disponibles, consultez les exigences de hauteur d'espace libre requise par le fabricant de la cuisinière ainsi que la hauteur recommandée de montage de la hotte au-dessus de la surface de cuisson. Informez-vous toujours des normes et des réglementations locales en vigueur pour toute différence par rapport aux normes du fabricant.

Ensemble de recouvrement de conduit disponible pour les plafonds atteignant 12 pieds. Numéro de pièce et information pour commander disponibles à la page 23.

ENDOMMAGEMENT LORS DE LA LIVRAISON/ INSTALLATION :

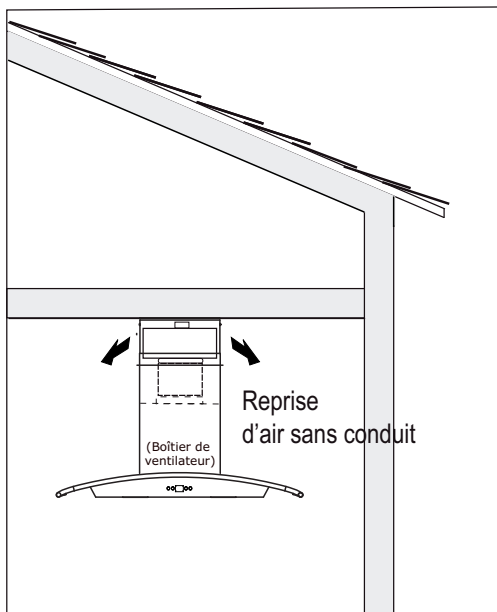
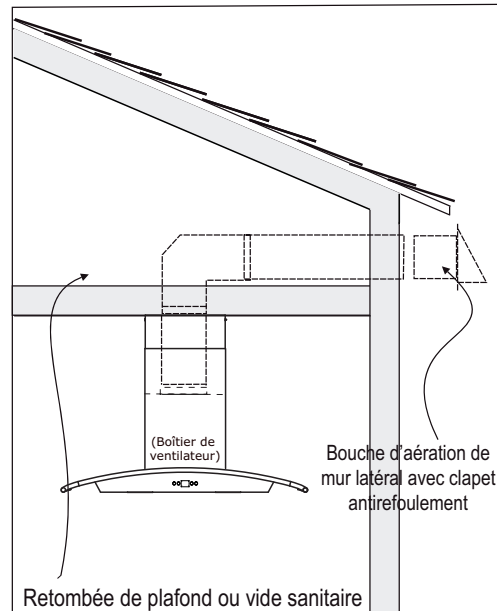
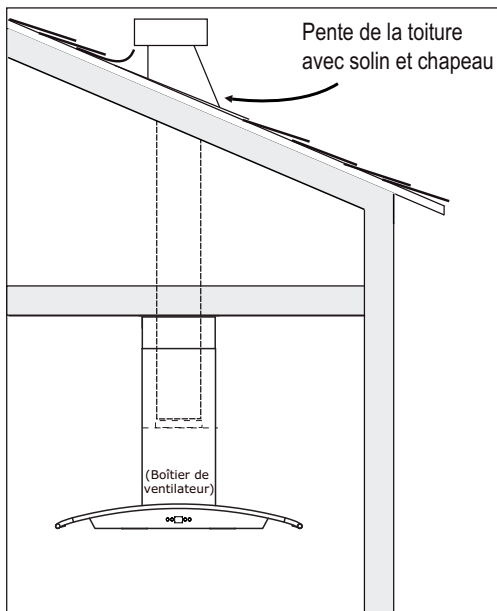
- Veuillez vous assurer que toutes les pièces de l'appareil ne sont pas endommagées avant l'installation.
- Si l'appareil est endommagé durant la livraison, retournez l'appareil à l'endroit où vous l'avez acheté pour réparation ou remplacement.
- Si l'appareil est endommagé par le client, la réparation ou le remplacement est à la charge du client.
- Si l'appareil est endommagé par l'installateur (si autre que le client), le client et l'installateur doivent en venir à une entente pour la réparation ou le remplacement.

AVERTISSEMENT DE RISQUE D'INCENDIE

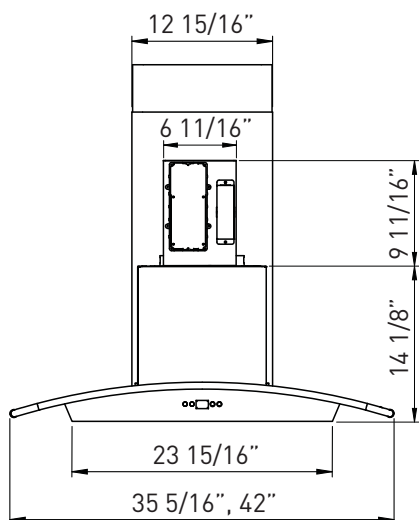
N'évacuez ou ne terminez JAMAIS l'échappement du conduit dans les espaces entre les murs, les vides sanitaires, le plafond, le grenier, ou le garage. Tous les échappements doivent être dirigés à l'extérieur de la maison, à moins que l'option de reprise d'air ne soit utilisée.

N'utilisez que des conduits en métal pour cloison simple.

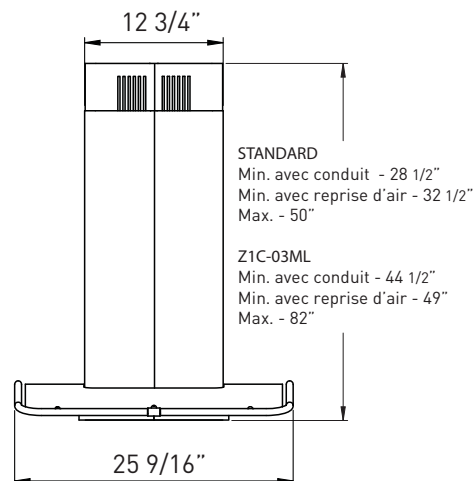
Fixez toutes les pièces du conduit avec des vis à tôle et isolez tous les joints avec du ruban adhésif en toile ou du ruban réflecteur certifié.



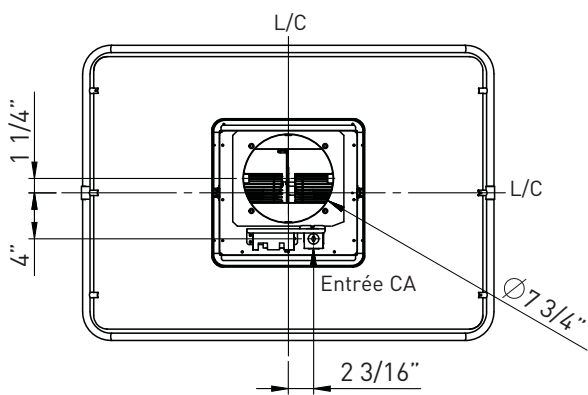
Installation – Spécifications de la hotte



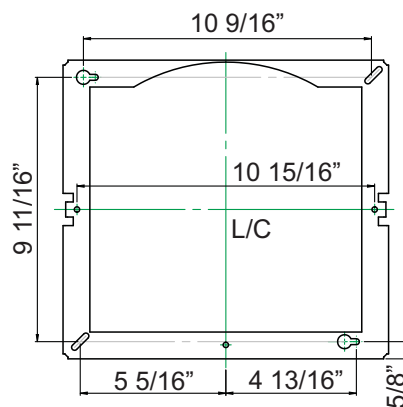
DEVANT



CÔTÉ



DESSUS de la HOTTE



**CADRE de FIXATION SUPÉRIEUR
(vue du haut)**

⚠ AVERTISSEMENT : Le câblage électrique doit être effectué par une ou des personnes qualifiées selon les stipulations de tous les normes et standards en vigueur. Éteignez l'alimentation électrique à l'entrée de service avant de procéder au câblage.

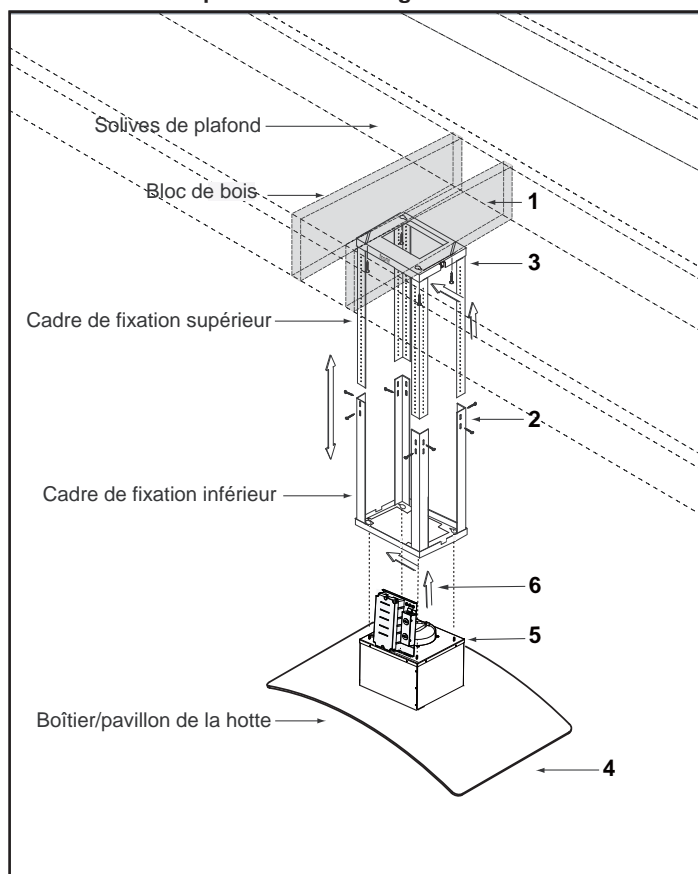


FIG. A



FIG. B

La hotte est conçue pour être installée à un plafond fini.

- 1. Préparation du plafond :** Déterminez l'emplacement pour l'installation de la hotte et collez temporairement le gabarit en papier (inclus avec la hotte) au plafond. Dans le plafond, faites un trou correspondant à la zone interne ombragée du gabarit. C'est là que passeront le conduit et les câbles électriques. Ajoutez les blocs de bois (min. 2" x 4") aux solives de plafond, sur la cloison sèche, pour renforcer le plafond (FIG. A#1). Fixez deux vis à bois 1-1/2" aux points A et B du gabarit en papier (FIG. B). Ne serrez pas les vis jusqu'au bout et laissez dépasser environ 1/4".
- 2. Préparation de la hotte :** Enlevez les vis qui retiennent les cadres de fixation supérieur et inférieur ensemble. Ajustez le cadre de fixation selon la hauteur d'installation désirée de la hotte et réassemblez le cadre en utilisant les vis que vous avez préalablement enlevées (deux vis pour chaque bras des cadres de fixation) (FIG. A#2).

Installation – Montage de la hotte

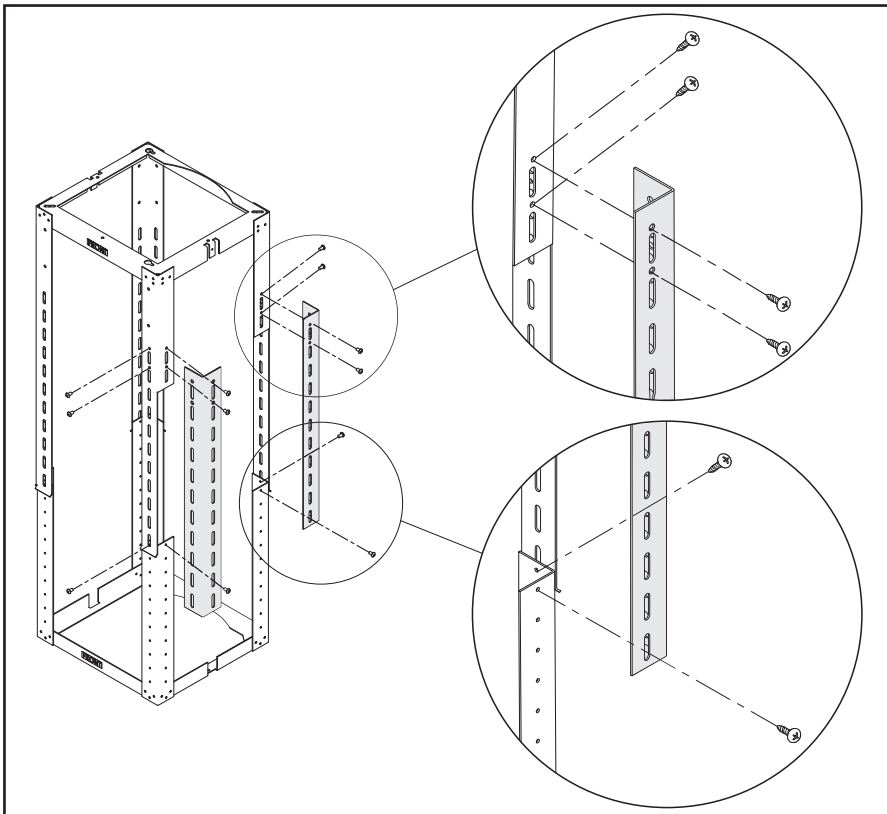


FIG. C

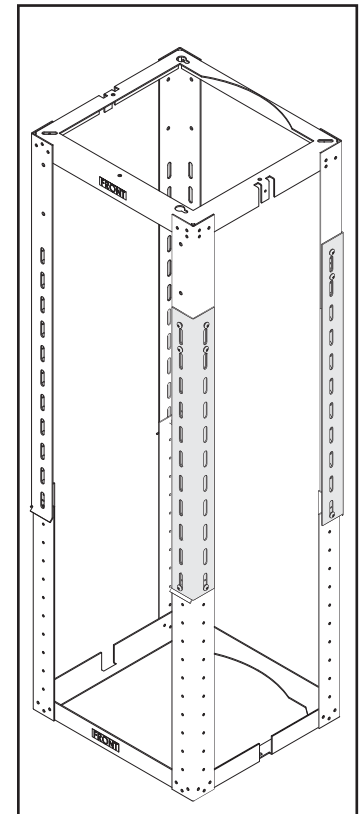


FIG. D

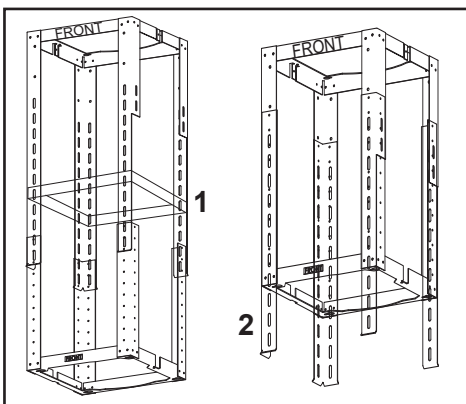


FIG. E

3. Des pattes de support latérales doivent être fixées aux deux bras du cadre de fixation supérieur et aux bras correspondants du cadre de fixation inférieur pour les hottes installées à une hauteur de 40 à 50 pouces. Fixez les pattes de support latérales à l'aide de douze vis à tôle M4 x 8. (FIG. C)
4. Des pattes de support carrées doivent être fixées à l'intérieur du cadre de fixation pour les hottes installées à une hauteur de 45 à 50 pouces. Fixez les pattes de support carrées aux bras du cadre de fixation supérieur à l'aide de huit vis à tôle M4 x 8 (FIG. E, no 1). Les bras du cadre de fixation supérieur dépassent des supports du cadre de fixation inférieur lorsque la hotte est installée à une hauteur moindre (FIG. E, no 2).

5. Soulevez l'assemblage des cadres de fixation vers le plafond en vous assurant que le mot « Front », situé sur le dessus des cadres de fixation, est sur la même face de la hotte où les commandes sont situées (FIG. D). Les encoches en trou de serrure situées sur le dessus du cadre de fixation devraient coïncider avec les vis à bois préalablement fixées au plafond. Faites glisser le cadre de fixation vers la partie étroite des encoches en trou de serrure pour le fixer en place.
6. Installez les deux dernières vis à bois 1-1/2" dans les deux coins restants du cadre de fixation supérieur pour le fixer solidement au plafond. Serrez les vis.

⚠ ATTENTION : Compte tenu du poids et des dimensions de la hotte, au moins deux installateurs sont nécessaires.

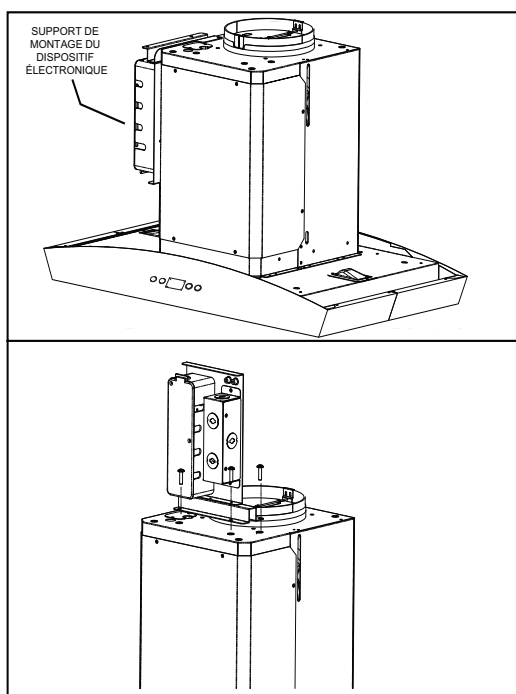


FIG. F

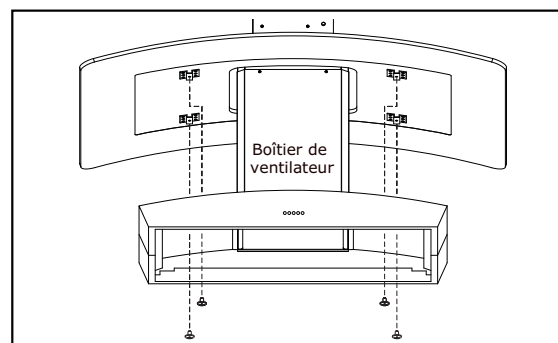


FIG. G

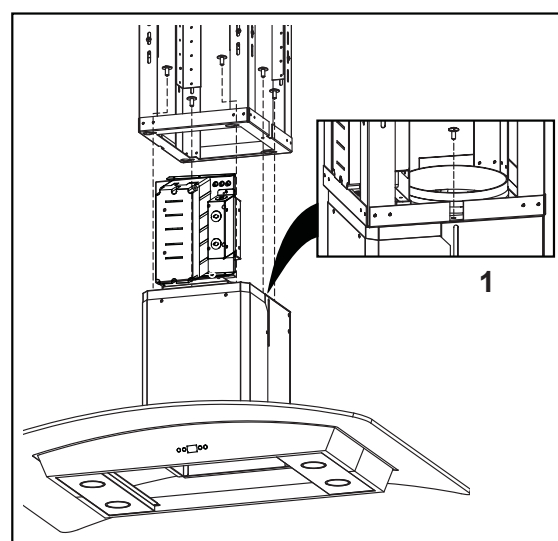


FIG. H

7. Enlevez le ruban qui retient le support de montage du dispositif électronique à la hotte (FIG. F#1). Enlevez les trois vis du dessus du boîtier de la hotte et laissez-les de côté. Placez le support de montage du dispositif électronique, comme illustré sur FIG. F#2 et fixez-le au boîtier de la hotte à l'aide des trois vis que vous avez préalablement enlevées.
8. Retirez les filtres à tamis en aluminium de la hotte. Placez le pavillon sur le boîtier du ventilateur situé sur le dessus de la hotte et fixez-le à la hotte à travers l'ouverture des filtres à l'aide de quatre vis pour pavillon 3/16" x 8 (FIG. G). Installez l'électricité et le conduit d'aération. Scellez le conduit avec du ruban à conduit en aluminium.
9. Soulevez le boîtier de la hotte et alignez les quatre vis de montage préinstallées sur le dessus du boîtier du ventilateur (FIG. A#5 à la page 9) dans les quatre encoches en trou de serrure du cadre de fixation inférieur (FIG. H). Faites-le glisser vers la partie étroite des encoches en trou de serrure pour le fixer en place. Serrez chaque vis à la main pour fixer la hotte au cadre de fixation inférieur. Fixez une vis de sûreté M4 x 12 mm au cadre de fixation inférieur pour une installation plus solide de la hotte (FIG. H#1).
10. Installez l'électricité et le conduit d'aération. Scellez le conduit avec du ruban à conduit en aluminium.
11. Mettez la hotte sous tension pour vous assurer du bon fonctionnement de toutes les fonctions et vérifiez s'il y a des fuites d'air autour du ruban à conduit.

Installation – Montage de la hotte

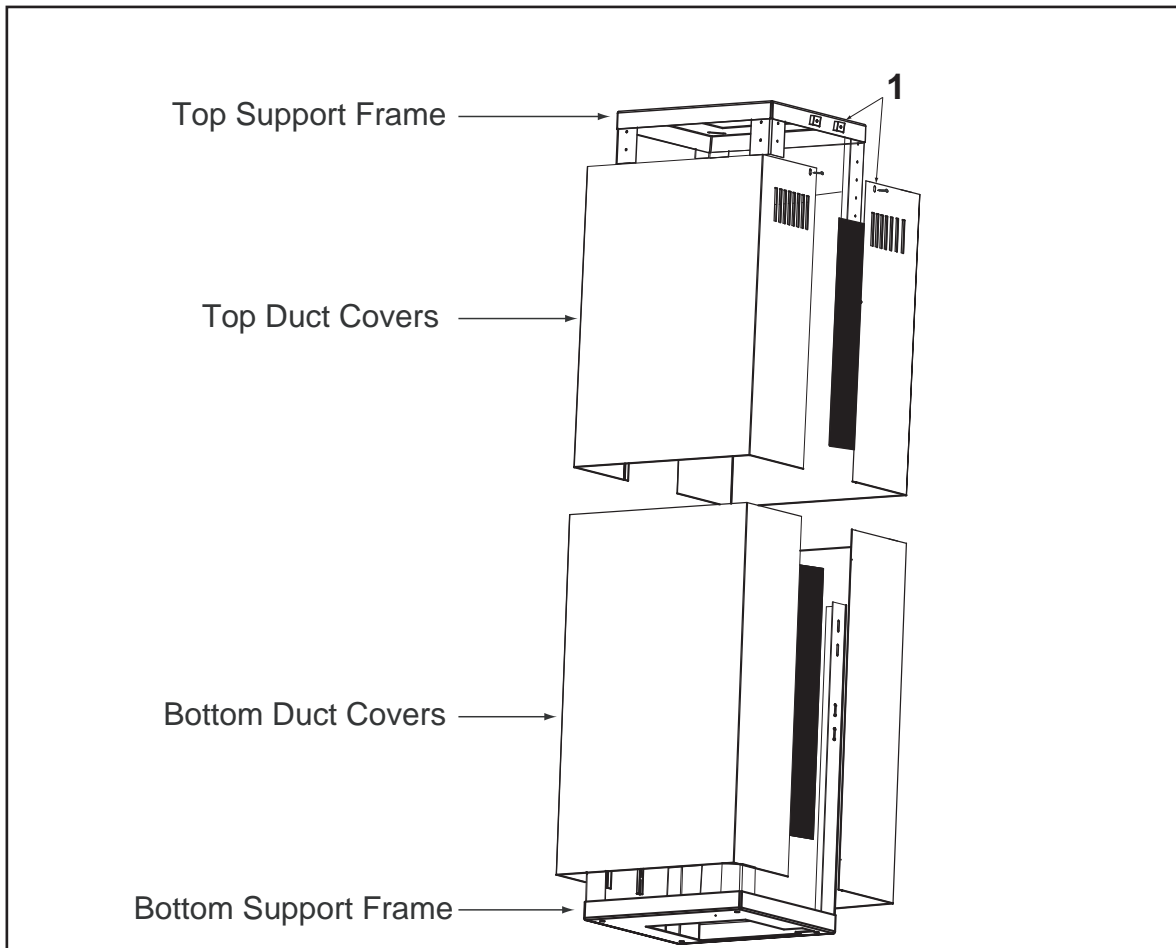


FIG. J

12. Assemblez les pièces de recouvrement de conduit (avec les trous des grilles d'aération) et fixez-les ensemble au cadre du support supérieur à l'aide des bandes magnétiques. Note : Si vous utilisez la hotte en mode de reprise d'air, vous devez fixer la pièce avec les trous pour déflecteurs au cadre de fixation supérieur avant d'assembler les pièces de recouvrement de conduit. Consultez la page 13 pour plus de détails.
13. Fixez les pièces de recouvrements supérieures au cadre de fixation supérieure à l'aide de quatre vis 3/16 x 1/4" (FIG. J1).
14. Assemblez les pièces de recouvrement inférieures par-dessus les pièces de recouvrement supérieures et fixez-les ensemble à l'aide des bandes magnétiques.

La configuration de reprise sans conduit a été conçue pour les applications où il est impossible d'installer un conduit d'aération. Lorsque transformée, la hotte fonctionne comme une hotte de reprise d'air plutôt que comme un système d'évacuation d'air. Les vapeurs et fumées de cuisson sont aspirées et filtrées par un ensemble optionnel de filtres à charbon. L'air est ensuite purifié et redirigé à l'intérieur de la maison.

Nous recommandons de TOUJOURS évacuer l'air à l'extérieur de la maison en utilisant le conduit en place ou, s'il y a possibilité, en installant un nouveau conduit. La hotte est plus efficace lorsqu'utilisée comme système d'évacuation d'air. Vous ne devriez recourir à la configuration de reprise d'air que lorsqu'il est impossible d'installer un conduit d'aération.

Lorsque la configuration de reprise d'air est choisie, un ensemble de filtres à charbon doit être installé sur l'ensemble de filtres à tamis en aluminium. Commandez-les en vous référant au numéro de pièce ci-dessous. Les filtres à tamis en aluminium sont conçus pour capturer les résidus de cuisson et les filtres à charbon optionnels aident à la purification des vapeurs et fumées de la cuisson lors de la reprise d'air.

ENSEMBLE DE REPRIS D'AIR (REQUIS SI AUCUN CONDUIT N'EST UTILISÉ)

L'ensemble comprend des filtres à charbon, des supports de filtres à charbon et un déflecteur d'air.

Modèle de hotte	Numéro de pièce	Filtres par paquet
ZML-M90BG/BS	ZRC-00ML	2
ZML-E42BG/BS	ZRC-00ML	2

1. Procurez-vous l'ensemble de reprise d'air en utilisant le numéro de pièce ci-dessus
2. Fixez le déflecteur au mur, sous le support mural de recouvrement de conduit (FIG. K). Installez le conduit de 8" à la partie supérieure de la hotte et fixez-le à la plaque du déflecteur d'air.
3. Retirez les filtres à tamis en aluminium de la hotte. Installez le support des filtres à charbon dans l'ouverture des filtres. Note : Les vis qui servent à fixer le support des filtres à charbon en place sont préinstallées dans la hotte et doivent d'abord être enlevées. Fixez les filtres à charbon au support des filtres à charbon (FIG. K).
4. Réinstallez les filtres à tamis en aluminium.
5. Allumez l'indicateur de changement du filtre à charbon sur le panneau indicateur (consultez la page 15 pour plus de détails). Le microprocesseur des commandes vous indiquera le moment où changer le filtre à charbon, après 120 heures d'utilisation continue. Commandez des filtres à charbon de remplacement en consultant la liste ci-dessous.
Note : Consultez le manuel compris avec l'ensemble de reprise d'air pour obtenir des instructions d'installation plus détaillées

Filtres à charbon de remplacement

Modèle de hotte	Numéro de pièce	Quantité à commander
ZML-M90BG/BS	Z0F-C002	2
ZML-E42BG/BS	Z0F-C002	2

NE NETTOYEZ PAS LES FILTRES À CHARBON. Vous pourriez avoir à changer les filtres à charbon plus souvent selon vos habitudes culinaires.

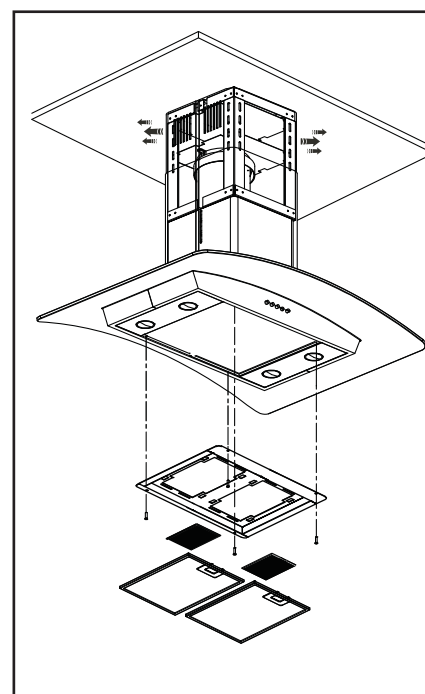
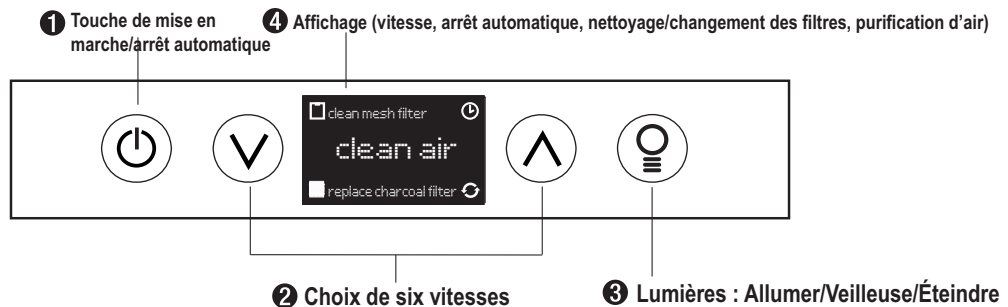





FIG. K






1-Touche de mise en marche/arrêt automatique


Fonction de mise en marche

- La touche  permet d'allumer et d'éteindre la hotte (ventilateur et lumières).
- Lorsqu'elle est éteinte, la hotte garde en mémoire la dernière vitesse et le dernier niveau d'éclairage (Exemple : Vous appuyez sur la touche  lorsque le ventilateur est à la vitesse 4 et que les lumières sont à haute intensité. Si vous appuyez de nouveau sur la touche  pour allumer la hotte, le ventilateur se remet en marche à la vitesse 4 et les lumières s'allument à haute intensité).

Fonction d'arrêt automatique

- Appuyez sur le bouton  et tenez-le enfoncé pendant deux secondes pour que le ventilateur s'allume à la vitesse 1. Le symbole  s'allume. Après cinq minutes, le ventilateur et les lumières s'éteignent automatiquement.
- Si vous appuyez sur le bouton  lorsque la fonction d'arrêt automatique est activée, la hotte s'éteint et annule la fonction d'arrêt automatique.

Débit d'air contrôle de la technologie (ACT)

- ACT permet à l'utilisateur de contrôler le maximum CFM de la ventilateur.
 - Pour vérifier le CFM de vos ventilateur:
 - Avec la hotte désactivé, maintenez le bouton  pendant trois secondes. Le CFM de la ventilateur sera affiché sur l'écran LCD.

2-Touche de choix de vitesse

Touche de réduction de la vitesse du ventilateur

- Appuyez sur ce bouton pour réduire la vitesse du ventilateur. 6 (Rafale), 5, 4, 3, 2, 1.
- Si le ventilateur est à la vitesse 1 lorsque vous appuyez sur cette touche, il s'éteint.

Touche d'augmentation de la vitesse du ventilateur

- Appuyez sur ce bouton pour augmenter la vitesse du ventilateur. 1, 2, 3, 4, 5, 6 (Rafale).
- Si la hotte est éteinte lorsque vous appuyez sur cette touche, le ventilateur s'allume à la vitesse 1.


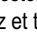

Mode Rafale

- Cette vitesse est conçue pour changer l'air intensément et rapidement lorsqu'une grande quantité de fumée est générée. Après trois minutes, le ventilateur passe automatiquement à la vitesse 5.

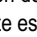
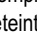

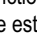
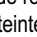


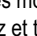
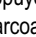
3-Touche des lumières

- Il y a deux intensités pour les lumières : haute et basse.
- Lorsqu'elles sont éteintes, appuyez une fois pour allumer les lumières à haute intensité. Les mots « lights hi » apparaissent pendant deux secondes à l'écran LCD.
- Appuyez de nouveau pour les mettre à basse intensité. Les mots « lights lo » apparaissent pendant deux secondes sur l'écran LCD.
- Appuyez encore une fois pour éteindre les lumières.

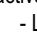
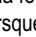


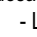
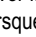


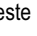
Indicateur de nettoyage des filtres à tamis *(toujours en fonction)*

- Après 30 heures d'utilisation du ventilateur, le symbole  et les mots « clean mesh filter » s'allument, indiquant qu'il est temps de nettoyer les filtres à tamis. Le symbole et les mots restent illuminés jusqu'à la réinitialisation de la fonction.
- **Pour réinitialiser** : Lorsque la hotte est éteinte, appuyez et tenez la touche  enfoncée pendant trois secondes. Après trois secondes, le symbole  et les mots « clean mesh filter » s'éteignent et le temporisateur de 30 heures est réinitialisé.

Indicateur de remplacement du filtre à charbon *(désactivé par défaut, doit être activé avec le mode de reprise d'air)*

- Pour activer la fonction de remplacement du filtre à charbon :
 - Lorsque la hotte est éteinte, appuyez et tenez simultanément les touches  et  pendant trois secondes. Le symbole  s'allume pendant trois secondes, indiquant que la fonction de remplacement des filtres est activée.
- Pour désactiver la fonction de remplacement du filtre à charbon :
 - Lorsque la hotte est éteinte, appuyez et tenez simultanément les touches  et  pendant trois secondes. Le symbole  s'allume pendant trois secondes puis s'éteint, indiquant que la fonction de remplacement des filtres est désactivée.
- Après 120 heures d'utilisation du ventilateur, le symbole  et les mots « replace charcoal filter » s'allument, indiquant qu'il est temps de remplacer les filtres à charbon. Le symbole et les mots resteront illuminés jusqu'à la réinitialisation de la fonction.
- **Pour réinitialiser** : Lorsque la hotte est éteinte, appuyez et tenez la touche  enfoncée pendant trois secondes. Après trois secondes, le symbole  et les mots « replace charcoal filter » s'éteignent et le temporisateur de 120 heures est réinitialisé.

Indicateur de purification d'air

- La fonction de purification d'air allume le ventilateur pour une période de dix minutes toutes les quatre heures pour enlever l'air stagnant qui flotte dans la cuisine.
 - Pour activer la fonction de purification d'air :
 - Lorsque la hotte est éteinte, appuyez et tenez simultanément les touches  et  pendant trois secondes. Le symbole  et les mots « clean air » s'allument et le ventilateur se met en marche à la vitesse 1 pendant dix minutes. Après dix minutes, le ventilateur s'éteint et le temporisateur de quatre heures est réinitialisé.
 - Le symbole  reste illuminé lorsque la fonction de purification d'air est activée, même si le ventilateur n'est pas allumé.
 - Pour désactiver la fonction de purification d'air :
 - Lorsque la hotte est éteinte, appuyez et tenez simultanément les touches  et  pendant trois secondes jusqu'à ce que le symbole  s'éteigne.
- Lorsque la fonction de purification d'air est activée, le ventilateur fonctionne à la vitesse 1 pendant dix minutes toutes les quatre heures, lorsque le ventilateur n'est pas utilisé. Après dix minutes, le ventilateur s'éteint et le temporisateur de quatre heures est réinitialisé.
- Si l'utilisateur change la vitesse du ventilateur lorsque la fonction de purification d'air est en cours de marche, les mots « clean air » s'éteignent, mais le symbole  reste illuminé. Si l'utilisateur appuie sur la touche , la période de quatre heures est réinitialisée.

ENTRETIEN DES SURFACES:

Nettoyez régulièrement les surfaces de la hotte avec de l'eau savonneuse chaude et un chiffon de coton propre. N'utilisez pas de détergent abrasif ou corrosif, de laines d'acier ou de tampons à récurer; ils égratigneront et endommageront les surfaces.

Pour les taches plus tenaces, utilisez du produit dégraissant liquide.

Après le nettoyage, vous pouvez polir les surfaces avec des produits de polissage à acier inoxydable non abrasifs pour redonner de l'éclat et du lustre aux surfaces. Frottez toujours doucement, avec un chiffon de coton propre, et dans le sens du grain.

N'utilisez pas de produits à blanchir au chlore ou d'agents nettoyants « orange ».

Filtre à tamis en aluminium

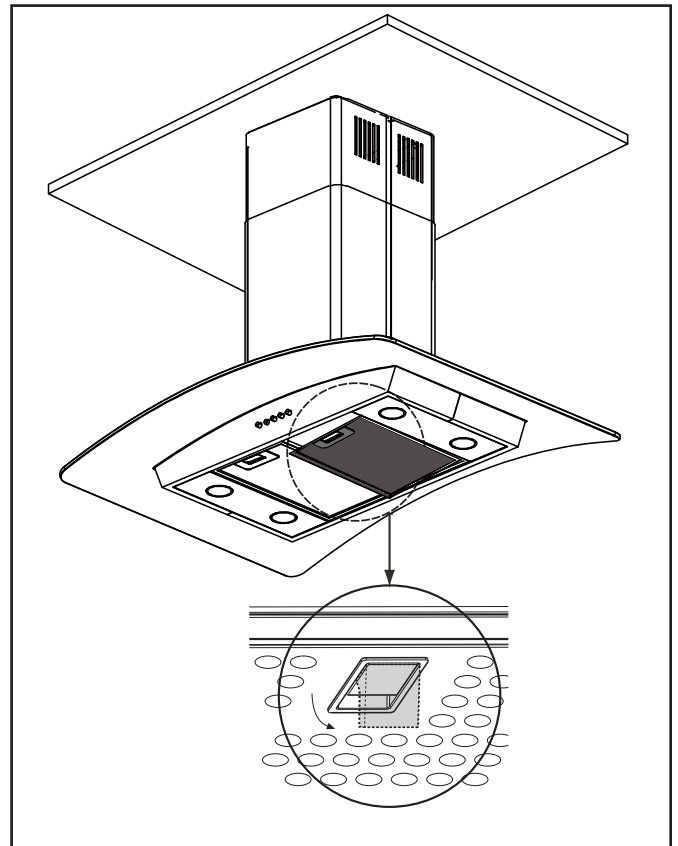
Les filtres à tamis en aluminium installés par le fabricant ont pour fonction de filtrer les résidus et la graisse de cuisson. Ils ne nécessitent aucun remplacement sur une base régulière, mais doivent être gardés propres.

Enlevez-les et nettoyez-les à la main ou au lave-vaisselle avec de l'eau tiède. Vaporisez avec du détergent pour graisse et laissez tremper pour éliminer la saleté accumulée.

Séchez les filtres et réinstallez-les avant d'utiliser la hotte.

Pour enlever les filtres à tamis en aluminium

1. Poussez sur les poignées à ressort
2. Tirez sur la poignée du filtre vers le bas pour enlever le filtre



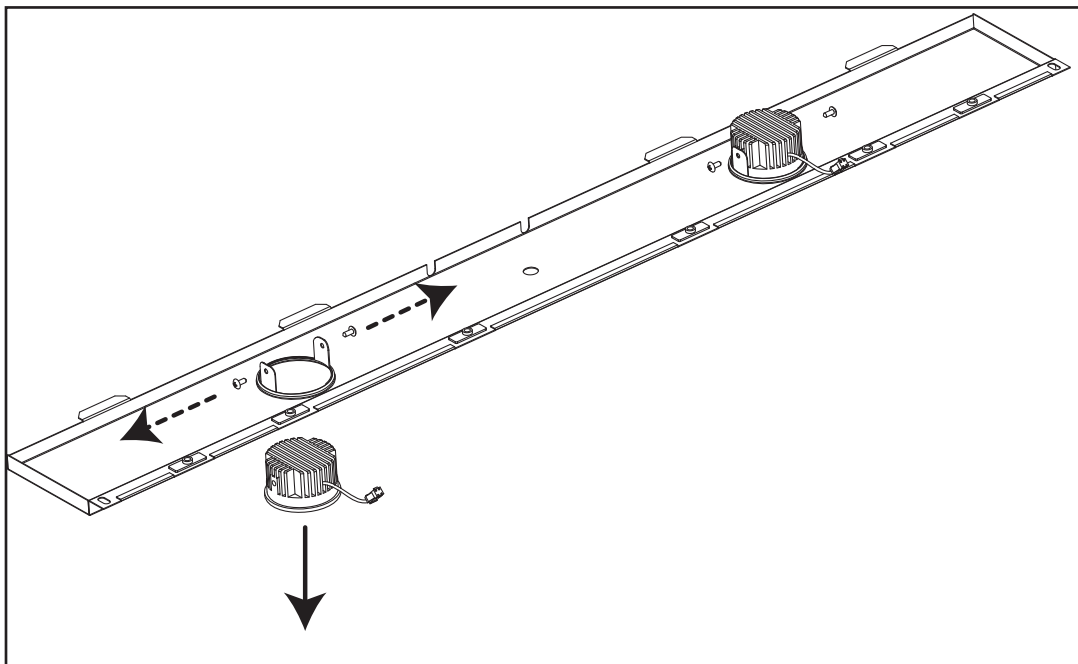
BLOOM LUMIERES LED

Dans le cas peu probable où votre lampe à DEL Bloom tomberait en panne, contactez Zephyr pour commander des pièces de rechange.

Voir la liste des pièces et accessoires à la page pour les références et les coordonnées.

Pour remplacer la lampe à LED Bloom

1. Retirez les filtres à mailles en aluminium.
2. Retirez le panneau d'éclairage à l'aide de deux vis.
3. Débranchez le connecteur rapide du voyant Bloom LED.
4. Retirez les deux vis de chaque côté de Bloom LED
5. Poussez Bloom LED à travers l'ouverture du panneau lumineux.



PROCÉDURES DE DÉPANNAGE POUR LA HOTTE MILANO ISLAND

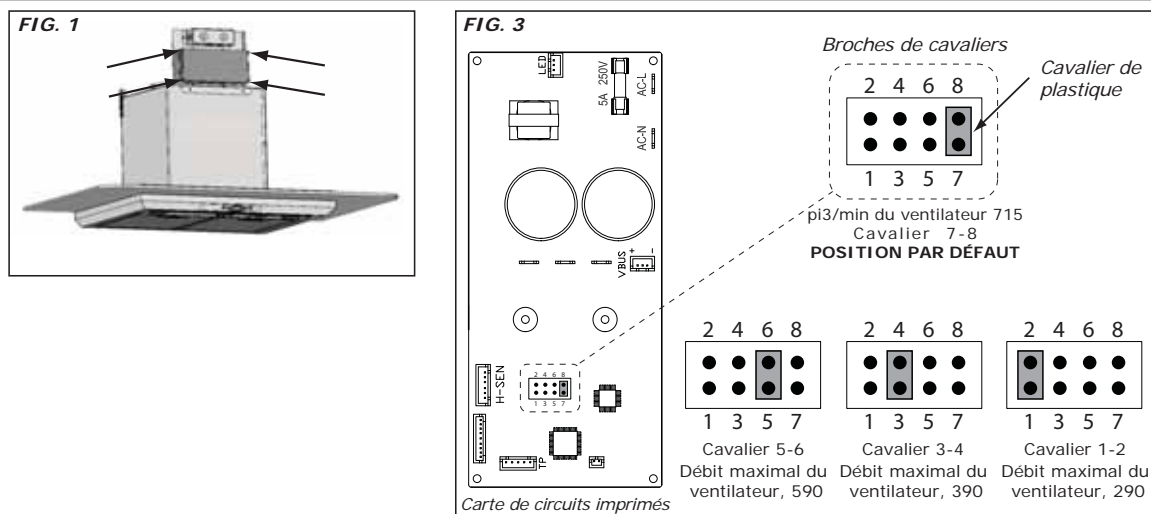
Problème	Cause	Solution
Après l'installation, l'appareil ne fonctionne pas.	1. Le bloc d'alimentation n'est pas allumé	1. Assurez-vous que l'alimentation du disjoncteur et de l'appareil est allumée
	2. La ligne électrique et le raccord de câble ne sont pas correctement branchés	2. Vérifiez que le branchement de l'appareil a été fait correctement
	3. Les fils électriques du tableau de contrôle et de commande sont débranchés	3. Assurez-vous que les fils électriques entre les tableaux de contrôle et de commande sont branchés convenablement
	4. Tableau de contrôle/commande défectueux	4. Remplacez le tableau de contrôle/commande
Les lumières fonctionnent, mais le moteur ne tourne pas.	1. Le moteur est défectueux, possiblement bloqué	1. Remplacez le moteur
	2. Le système de protection thermique détecte que le moteur est trop chaud pour fonctionner et l'éteint.	2. Le moteur fonctionnera normalement lorsque le système de protection thermique aura refroidi
	3. Tableau de contrôle/commande défectueux	3. Remplacez la pièce défectueuse
L'appareil vibre.	1. Le moteur n'est pas bien fixé en place	1. Fixez solidement le moteur en place
	2. La roue du ventilateur est endommagée	2. Remplacez le ventilateur
	3. La hotte n'est pas bien fixée en place	3. Vérifiez l'installation de la hotte
	4. Tableau de contrôle/commande défectueux	4. Remplacez la pièce défectueuse
Les niveaux de vitesse de la soufflerie le même son.	1. Utilisation de la mauvaise taille de canalisation.	1. Changer le conduit à au moins 8 "ou plus.
	2. ACT permis soufflerie CFM à 290 ou 390 CFM.	2. Le niveau de bruit distinction entre certains des vitesses peut être minime quand ACT permis ventilateur est réglé à 290 ou 390 CFM.
Le moteur fonctionne, mais pas les lumières.	1. L'ampoule DEL est défectueuse	1. Remplacez l'ampoule DEL
	2. Le fil de l'ampoule DEL est desserré	2. Branchez le fil de l'ampoule DEL
La hotte ne fonctionne pas bien.	1. La hotte est possiblement installée trop haut par rapport à la cuisinière	1. Ajustez la distance entre la surface de la cuisinière et la base de la hotte entre 26" et 34"
	2. Du vent provenant d'une fenêtre ou d'une porte ouverte avoisinante nuit à la ventilation	2. Fermez toutes les portes et fenêtres pour éliminer les courants d'air
	3. L'ouverture du conduit ou le conduit lui-même est bloqué	3. Enlevez tout ce qui bloque l'ouverture ou le conduit d'aération
	4. L'ouverture du conduit est contre le vent	4. Ajustez l'orientation de l'ouverture du conduit
	5. Mauvaises dimensions de conduit d'aération	5. Remplacez le conduit par un conduit adéquat de 6" de diamètre ou plus pour le ventilateur interne
Le filtre en métal vibre.	1. Le filtre en métal est desserré	1. Assurez-vous que les attaches métalliques de la poignée ne sont pas bloquées. Ou remplacez le filtre à tamis.

ATTENTION : Vous devez débrancher la hotte de l'alimentation principale avant de suivre les instructions de conversion énumérées ci-dessous, sans quoi vous pourriez vous blesser ou endommager l'appareil.

POURQUOI CONTRÔLER LE DÉBIT D'AIR MAXIMAL D'UN VENTILATEUR?

Zephyr recommande de toujours utiliser le débit d'air approprié du ventilateur pour éviter d'endommager la surface de cuisson, quoique certains codes locaux limitent le nombre maximal de pi3/min qu'une hotte peut déplacer. La Technologie de contrôle du débit d'air (ACT) de Zephyr vous permet de contrôler le débit maximal d'air que peuvent déplacer certains modèles de hottes de Zephyr. Grâce à la ACT, l'installateur peut facilement ajuster la vitesse maximale du ventilateur à l'un des trois niveaux d'extraction de pi3/min les plus utilisés : 590, 390 ou 290. Note : Le nouveau débit choisi ne peut pas être modifié après son ajustement.

Note : Si aucune limite d'extraction de pi3/min n'est exigée par le code s'appliquant à votre région, veuillez ne pas tenir compte de la présente feuille d'instruction.



- 1) Avant de procéder à l'installation de la hotte, accédez à la carte de circuits imprimés en suivant les étapes décrites ci-dessous.

La carte de circuits imprimés se trouve sur le dessus du boîtier du moteur.

Dévissez les quatre vis et retirez la carte de circuits imprimés du boîtier de la carte de circuits imprimés. FIG.

Faites attention lors du retrait de la carte de circuits imprimés, car plusieurs câbles relient la carte à l'appareil. Il n'est pas nécessaire de débrancher tous les câbles, pour autant que vous ayez facilement accès aux cavaliers illustrés sur la FIG. 3.

- 2) Modifiez la position des cavaliers de plastique comme illustré sur la FIG. 1 pour ajuster le débit d'air au nombre maximal de pi3/min désiré. Par défaut, le débit maximal est ajusté à 715 pi3/min (position de cavalier 7-8).
- 3) Réinstallez la carte de circuits imprimés au boîtier de la carte de circuits imprimés. Lorsque vous allumez la hotte pour la première fois au nouveau réglage, le nombre de pi3/min apparaît à l'écran LCD pendant deux secondes. Vous pouvez également faire apparaître le débit maximal à l'écran en appuyant pendant trois secondes sur la touche de mise en marche lorsque l'appareil est éteint.
- 4) Prenez l'étiquette appropriée indiquant le nombre de pi3/min inclus avec la présente feuille et placez-le à l'intérieur du boîtier de l'appareil, sous l'étiquette du schéma de câblage ou à un autre endroit visible.

Note: Après avoir modifié la position du cavalier et branché l'appareil, le débit de la hotte ne peut être modifié à nouveau. Veuillez communiquer avec Zephyr si vous avez besoin d'aide.

Tableau De Rendement Du Ventilateur

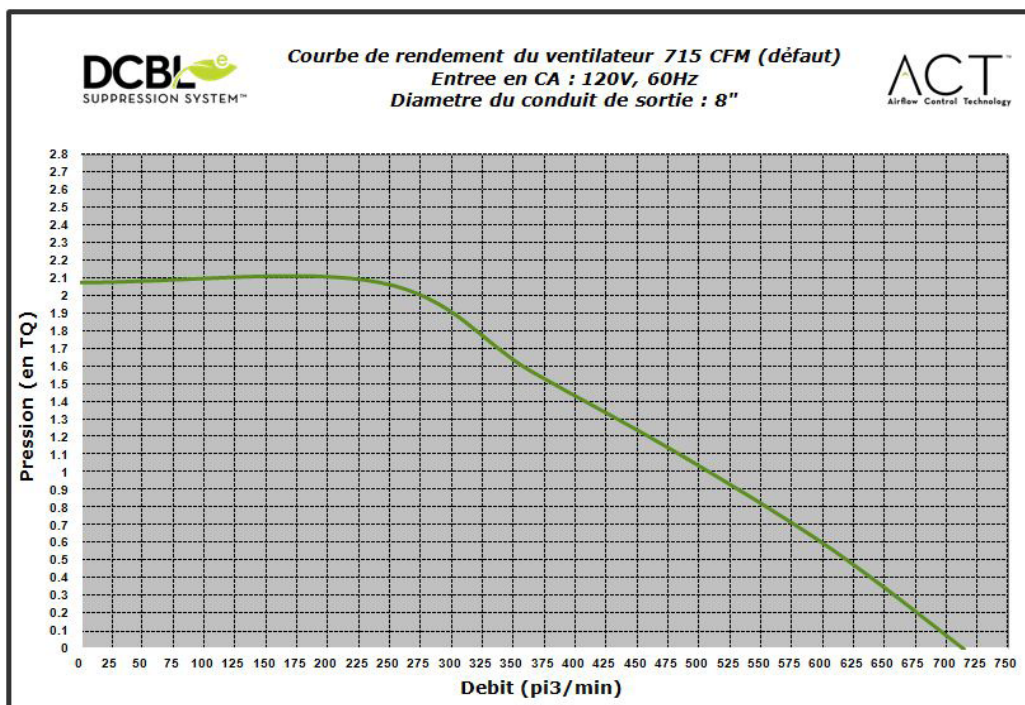


Tableau De Rendement Du Ventilateur

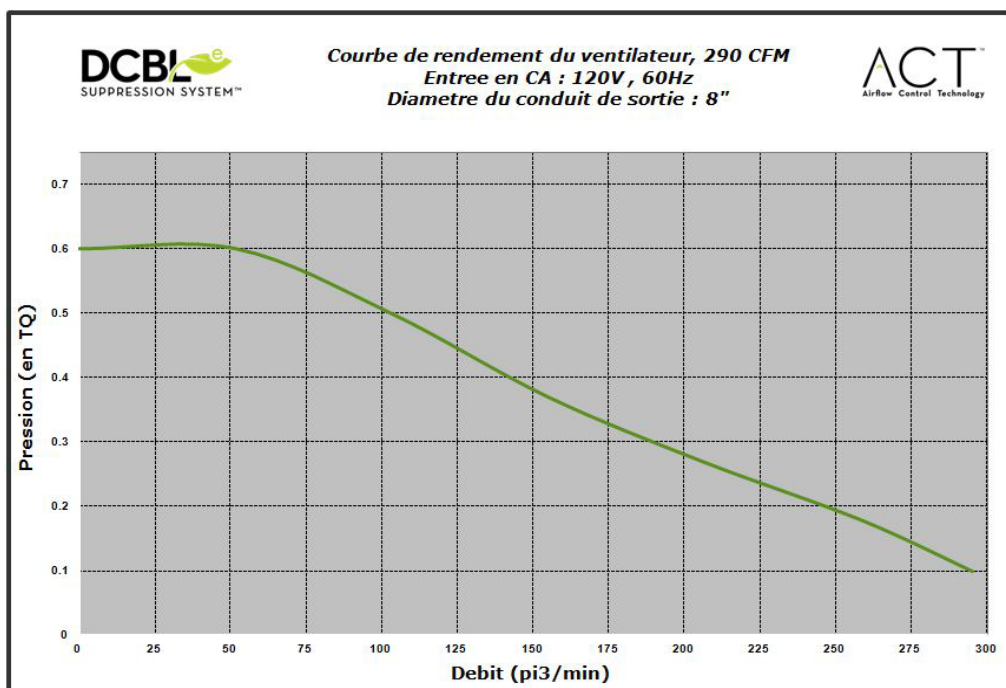
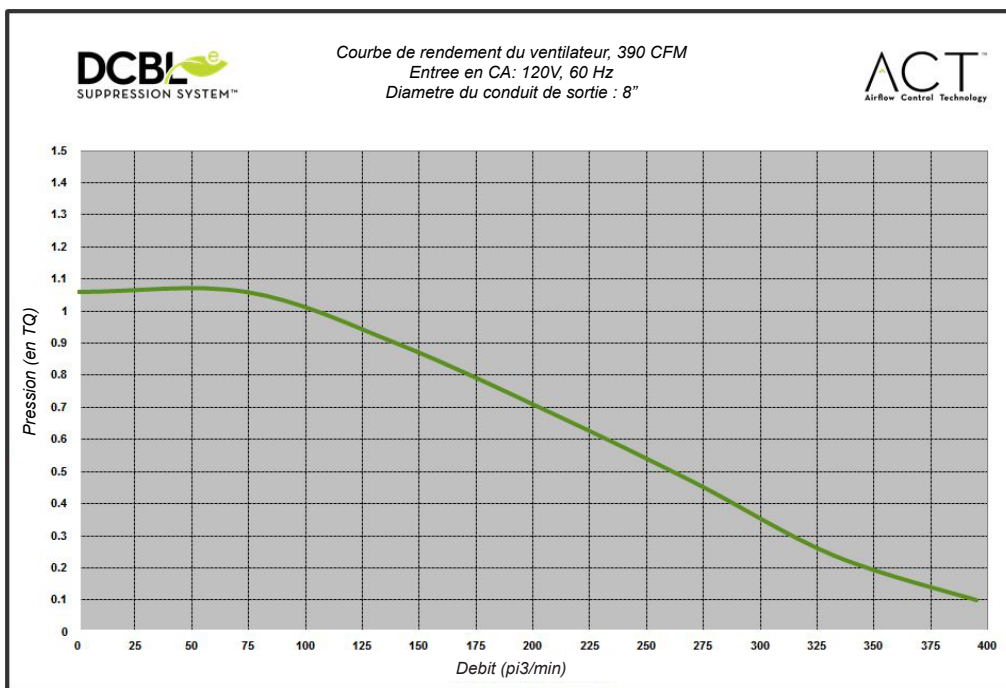
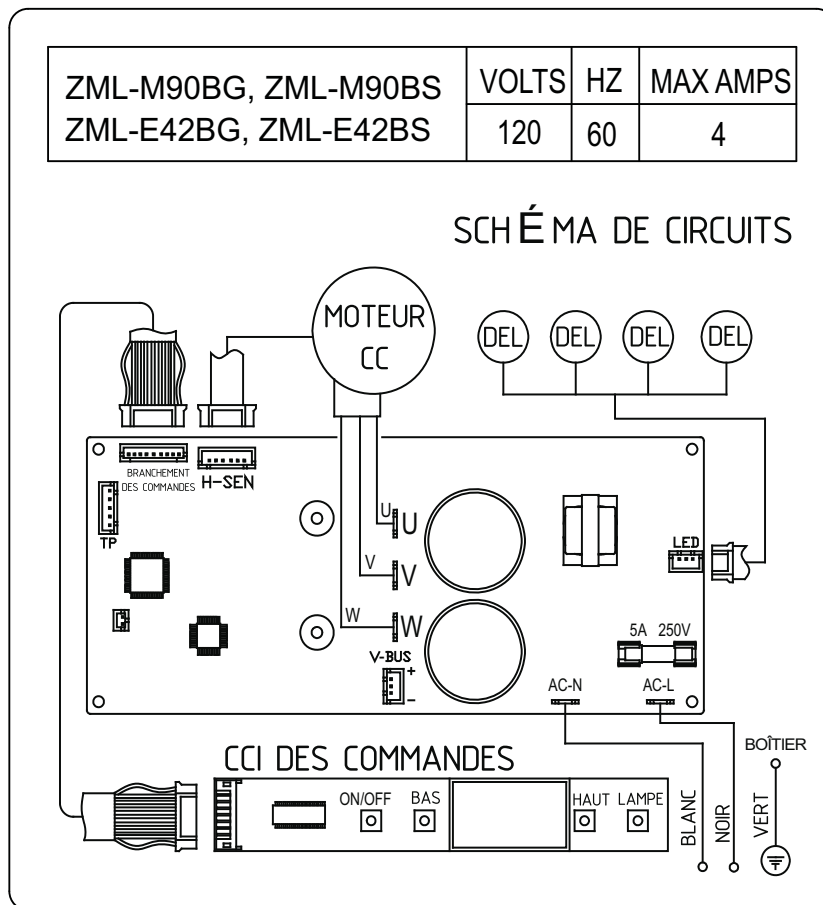


Schéma de câblage



Consommation montré pour défaut de configuration du ventilateur 715 CFM

ACT 590 CFM - Ventilateur Max. 130W @ 1.8A

ACT 390 CFM - Ventilateur Max. 70W @ 1A

ACT 290 CFM - Ventilateur Max. 35W @ .55A

DESCRIPTION	N° DE PIÈCE
Pièces de remplacement	
Ampoule DEL 3W	Z0B0032
Filtre à tamis en aluminium	50200043
Accessoires optionnels	
Ensemble de reprise d'air	ZRC-00ML
Filtre à charbon de remplacement	Z0F-C002
Ensemble de prolongement de recouvrement de conduit (Pour des plafonds allant jusqu'à 12 pieds)	Z1C-03ML
Télécommande sans fil	RC-0001

Pour commander des pièces, visitez-nous en ligne au www.zephyronline.com ou communiquez avec nous par téléphone au 1-888-880-8368

ZEPHYR
Garantie limitée

AGRAFEZ VOTRE REÇU ICI

Une preuve de la date d'achat originale est nécessaire pour obtenir du service lorsque le produit est sous garantie

POUR OBTENIR DU SERVICE SOUS GARANTIE OU POUR TOUTE QUESTION LIÉE À L'ENTRETIEN, veuillez communiquer avec nous au 1-888-880-8368

Zephyr Ventilation, LLC (désigné aux présentes sous le nom de « nous ») garantit au premier acheteur (désigné aux présentes sous le nom de « vous » ou « votre ») de produits Zephyr (les « Produits ») que lesdits produits sont exempts de défauts de fabrication ou de main-d'œuvre selon les conditions suivantes :

Garantie de trois ans sur les pièces : Garantie de trois ans à partir de la date d'achat originale du Produit. Nous fournirons sans frais les Produits ou les pièces (y compris les ampoules LED, le cas échéant) de remplacement qui comportaient des défauts de fabrication. Nous pourrions choisir, à notre seule discrétion, de réparer ou de remplacer des pièces avant de prendre la décision de remplacer le Produit.

Garantie limitée d'un an sur la main-d'œuvre : Garantie d'un an à partir de la date d'achat originale du Produit. Nous couvrirons sans frais les frais de main-d'œuvre afférents à la réparation du Produit ou des pièces de remplacement qui comportaient des défauts de fabrication. Un an après la date d'achat originale, vous serez responsable de tous les frais de main-d'œuvre associés à la présente garantie.

Exclusions de la garantie : Cette garantie ne couvre que la réparation ou le remplacement, à notre gré, de pièces ou de Produits défectueux et ne couvre aucun autre coût afférent aux Produits, dont, sans s'y limiter, les frais liés : (a) à l'entretien normal des Produits et au remplacement des pièces consommables, comme les fluorescent, incandescence ou halogèneampoules, les filtres métalliques, les filtres à charbon et les fusibles; (b) à tout Produit ou pièce ayant été endommagé durant le transport ou étant le résultat d'un mauvais usage, d'une négligence, d'un accident, d'une installation incorrecte ou ne respectant pas les notices d'installation recommandées, d'un entretien ou d'une réparation inapproprié (dont ne nous sommes pas responsables); (c) à une utilisation commerciale ou ne correspondant pas à l'utilisation pour laquelle les Produits sont conçus; (d) à l'usure naturelle du fini, à l'usure due à un entretien inadéquat, à l'utilisation de produits nettoyants corrosifs ou abrasifs, de tampons nettoyeurs et de produits de nettoyage pour le four; (e) aux éclats, entailles ou fissures résultant d'un abus ou d'une mauvaise utilisation du Produit; (f) aux déplacements d'un technicien de service à votre domicile pour vous montrer comment utiliser les Produits; (g) aux dommages causés par un accident, un incendie, une inondation, un cas fortuit; ou (h) Les installations personnalisées ou modifications qui ont un impact maintenabilité du Produit. Si vous vous trouvez à l'extérieur du territoire que nous desservons, des frais supplémentaires pourraient s'appliquer pour la livraison des produits à nos points de service désignés pour une réparation sous garantie ou vous pourriez avoir à déboursier les frais de déplacement du technicien à votre domicile pour que le Produit soit réparé, enlevé ou réinstallé. Un an après la date d'achat originale du Produit, vous êtes également responsable de tous les frais de main-d'œuvre associés à la présente garantie.

Restrictions de la garantie. NOTRE OBLIGATION DE RÉPARER OU DE REMPLACER, À NOTRE GRÉ, LE PRODUIT CONSTITUE VOTRE SEUL ET UNIQUE RECOURS SOUS LA PRÉSENTE GARANTIE. NOUS NE NOUS PORTONS PAS RESPONSABLES POUR TOUT DOMMAGE INDIRECT, ACCESSOIRE OU PARTICULIER RÉSULTANT OU AYANT UN LIEN AVEC L'UTILISATION OU LE RENDEMENT DES PRODUITS. LES GARANTIES EXPRESSES DE LA SECTION PRÉCÉDENTE SONT EXCLUSIVES ET TIENNENT LIEU DE TOUTE AUTRE GARANTIE EXPRESSE. PAR LES PRÉSENTES, NOUS REJETONS ET EXCLUONS TOUTE AUTRE GARANTIE EXPRESSE POUR LES PRODUITS ET TOUTES LES GARANTIES TACITES PRÉVUES PAR LA LOI, DONT CELLES RELATIVES À LA QUALITÉ MARCHANDE OU À L'ADÉQUATION DU PRODUIT POUR UNE UTILISATION PARTICULIÈRE. Certains États ou provinces n'autorisent pas les restrictions sur la durée d'une garantie implicite ou l'exclusion ou la restriction des dommages indirects ou accessoires; par conséquent, les exclusions et restrictions mentionnées ci-dessus pourraient ne pas s'appliquer à votre cas. Dans la mesure où une loi applicable interdit l'exclusion de garanties implicites, la durée de toute garantie implicite applicable se limite à la période de deux ans décrite ci-dessus. L'unique objectif de toute description orale ou écrite est de présenter les Produits et celle-ci ne devrait pas être interprétée comme une garantie expresse. Avant d'utiliser ou de permettre l'utilisation des Produits, vous devrez déterminer si les Produits conviennent aux utilisations prévues et vous devrez assumer tout risque et toute responsabilité relatifs à ces utilisations. Nous nous réservons le droit d'utiliser des pièces reconstruites ou remises à neuf pour remplacer l'une des fonctionnalités dans le cadre de la présente garantie ou de l'une des parties de la présente garantie. L'acheteur original ne peut transférer la présente garantie et celle-ci n'est valide qu'aux États-Unis et au Canada.

Pour obtenir du service sous la garantie : Pour avoir droit à du service sous garantie, vous devez : (a) nous avertir en utilisant l'adresse ou le numéro de téléphone inscrit ci-dessous dans les soixante jours suivant la détection du défaut; (b) donner le numéro du modèle, le numéro d'identification de la pièce ainsi que le numéro de série; et (c) décrire la nature de tout défaut de la pièce ou du Produit. Au moment de faire la demande de service sous garantie, vous devrez présenter votre preuve d'achat et la preuve de la date d'achat originale. Si nous déterminons que les exclusions de la garantie énumérées ci-dessus s'appliquent ou si vous vous trouvez dans l'incapacité de nous fournir la documentation nécessaire pour obtenir du service, vous serez responsable de tous les frais d'expédition, de déplacement, de main-d'œuvre ou de tout autre coût afférent au service.

Veuillez consulter notre site Web au www.zephyronline.com pour savoir si des révisions ont été apportées à la garantie.

Zephyr Ventilation Service Department, 2277 Harbor Bay Parkway, Alameda, CA 94502 1-888-880-8368

AUG14.0401

ENREGISTRMENT DU PRODUIT

Nous vous félicitons d'avoir acheté une hotte Zephyr. Veuillez prendre un moment pour enregistrer votre nouvelle hotte au www.zephyronline.com/registration

C'EST IMPORTANT

Cet enregistrement rapide est utile à bien des égards.

- Il assure la couverture de votre garantie si vous avez besoin de service après-vente.
- À des fins d'assurance, il permet de confirmer que vous êtes le propriétaire.
- Il vous permet de recevoir des avis concernant des modifications ou des rappels de produits.



Zephyr Ventilation | 2277 Harbor Bay Pkwy. | Alameda, CA 94502 | 1.888.880.8368